

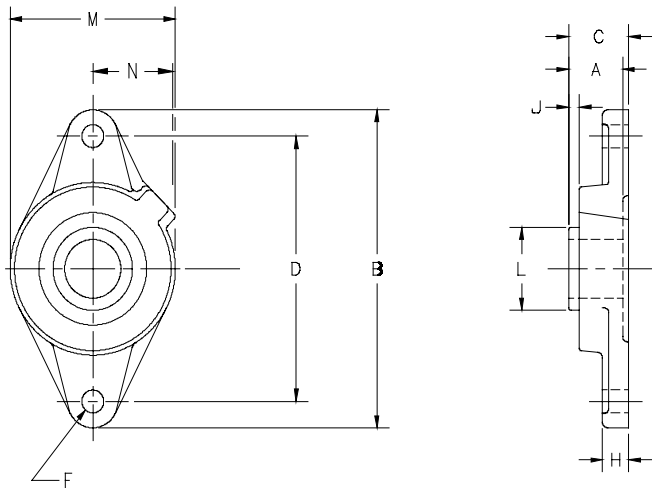
## Dodge ABHS Eccentric Collar Ball Bearings for the Baggage Handling Industry

DODGE has taken the next step in meeting customer requirements for airport baggage handling applications. DODGE ABHS ball bearings are manufactured for the speeds and loads of modern day baggage handling equipment and accept a pop-in style end cover that will not fall off from bumping and jarring.

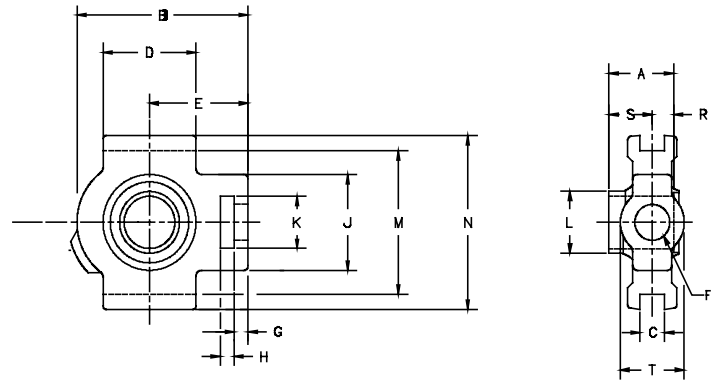
- Interchangeable mounting dimensions with most competitive products
- Eccentric locking collar for shaft attachment is standard; other styles available upon request
- Anti-rotation pin prevents insert rotation
- PROGUARD™ positive contact, low drag, single lip seal
- Plus or minus 2° static misalignment
- Industry specified plugged housing; grease fill optimized as “Lubed for Life”
- Housings machined to accept pop-in ABHS yellow end covers
- Bearings and end covers available from stock



## Two Bolt Flange



## Wide Slot Take-Up



### TWO BOLT FLANGE DIMENSIONS

Shaft Series	Part Size	Number	Description	Weight lbs	A	B	C	D	F Bolt Dia.	H	J	L	M	N
207	1-7/16	059888	F2B-SXR-107-ABHS	1.95	1.95	6.13	1.99	5.12	1/2	0.56	0.77	2.13	3.75	1.84
209	1-11/16	059889	F2B-SXR-111-ABHS	2.13	2.13	7.06	2.18	5.84	1/2	0.63	0.77	2.50	4.38	1.91
210	1-15/16	059890	F2B-SXR-115-ABHS	2.25	2.25	7.44	2.33	6.19	1/2	0.63	0.86	2.75	4.56	2.03

### TAKE-UP BEARING DIMENSIONS

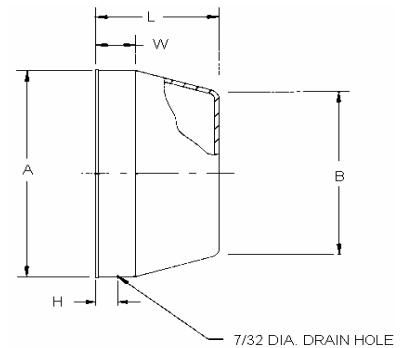
Shaft Series	Shaft Size	Part Number	Description	Weight lbs	Take-Up Frame Size	A	B	C	D	E	F Screw Dia.	G	H	J	K	L	M	N	R	S	T
207	1-7/16	062212	WSTU-SXR-107-ABHS	3.5	WS308	1.95	4.87	0.531	2.50	3.06	3/4	0.50	0.63	2.50	1.44	2.13	3.480/3.510	4.13	0.67	1.28	1.63

### END COVERS

Series	For Shaft Size	Part Number	Description	Weight lbs	A	B	H	L	W
207	1-7/16	128687	ECC-ABHS-207	2.91	2.91	2.32	0.31	1.47	0.69
209	1-11/16	128688	ECC-ABHS-209	3.50	3.50	2.87	0.50	1.59	0.72
210	1-15/16	128689	ECC-ABHS-210	3.62	3.62	3.00	0.50	1.66	0.91



Other housing styles and end covers are available. Contact your DODGE representative.



End Closure - Closed (ECC-)

**BALDOR**  
A MEMBER OF THE ABB GROUP

P.O. Box 2400, Fort Smith, AR 72902-2400 U.S.A., Ph: (1) 479.646.4711, Fax (1) 479.648.5792, International Fax (1) 479.648.5895

**Baldor - Dodge**  
6040 Ponders Court, Greenville, SC 29615-4617 U.S.A., Ph: (1) 864.297.4800, Fax: (1) 864.281.2433

[www.baldor.com](http://www.baldor.com)