

# BEARINGS

The Dodge Extreme Duty mounted ball bearing offers extended life in the toughest industrial applications. Incorporating patented Dodge-only features such as the QuadGuard sealing system and the Maxlife ball cage, the Dodge Extreme Duty bearing outperforms the competition in demanding environments where increasing equipment uptime is critical to success. Extreme conditions require highly-engineered products that will last. The Dodge Extreme Duty mounted ball bearing is up to the challenge.

**Ideal for the toughest  
mounted ball bearing applications:**

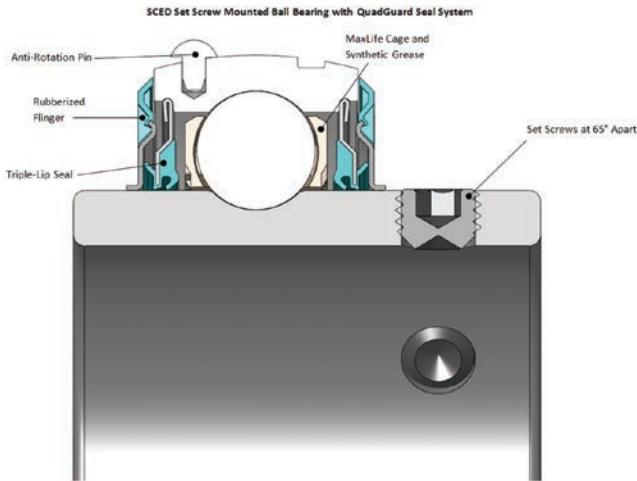
- Agriculture
- Aggregate/cement
- Mining
- Pulp and paper
- Forestry and wood products
- **Where nothing else works!**



# Available in all four Dodge mounted ball bearing shaft attachment methods:

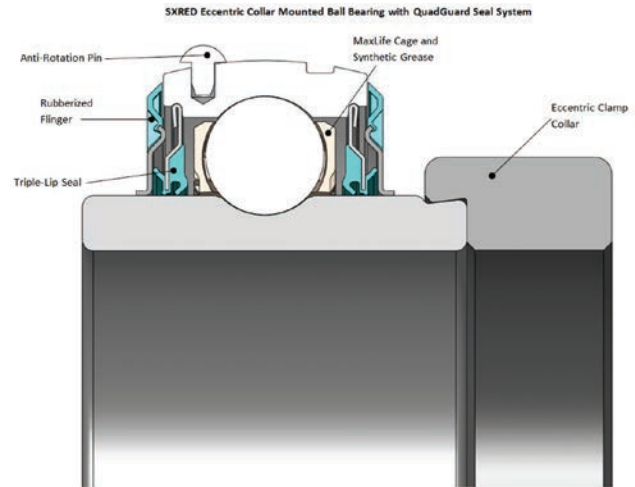
## — SCED/SCMED

- 65° set screw
- Many sizes available from stock
- Full offering in Dodge bearing catalog



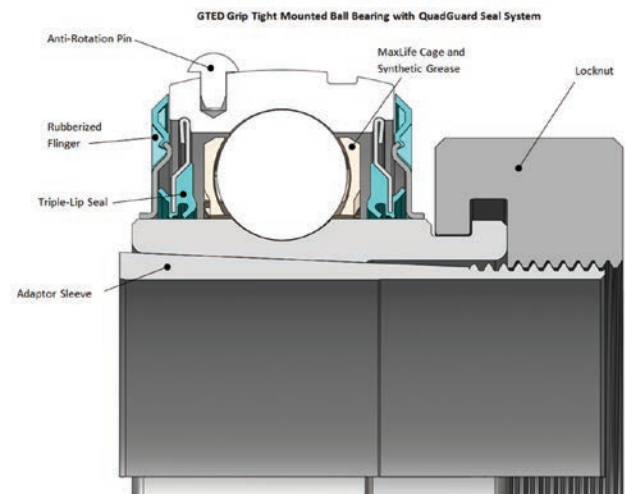
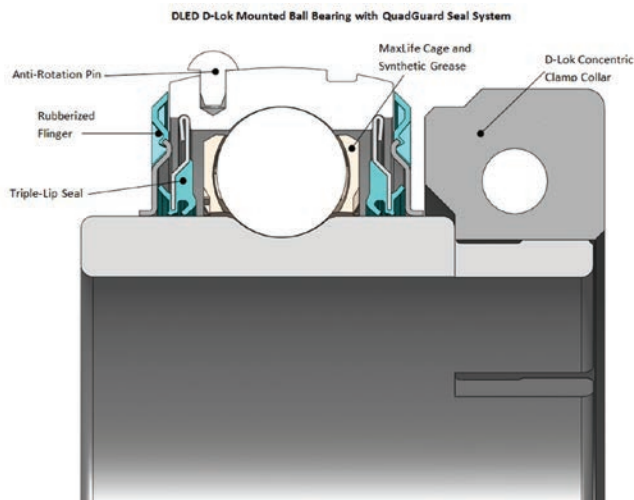
## — SXRED Eccentric Collar

- Many part numbers currently available (see next page)



## — DLED/DLMED D-Lok Concentric Clamp Collar and GTED/GTMED GRIP TIGHT Adapter Mount System

- Ideal for applications where concentricity and vibration control are critical
- Part numbers created upon request



**Eccentric Collar SXRED/SXRBED Part Numbers**

Part Number	Part Description	Discount Symbol	Price Group Code	List Price
075236	F2B-SXRED-100	B30	183	\$101.75
079261	F2B-SXRED-103	B30	183	\$120.00
079262	F2B-SXRED-104	B30	183	\$141.50
075237	F2B-SXRED-107	B30	183	\$141.50
075238	F2B-SXRED-108	B30	183	\$157.75
079263	F2B-SXRED-111	B30	183	\$181.75
079264	F2B-SXRED-112	B30	183	\$181.75
075239	F2B-SXRED-115	B30	183	\$206.50
079265	F2B-SXRED-200	B30	183	\$206.50
075240	F2B-SXRED-203	B30	183	\$258.75
075241	F4B-SXRED-100	B30	183	\$101.75
079888	F4B-SXRED-102	B30	183	\$120.00
079287	F4B-SXRED-103	B30	183	\$120.00
075321	F4B-SXRED-104	B30	183	\$141.50
075189	F4B-SXRED-107	B30	183	\$141.50
075190	F4B-SXRED-108	B30	183	\$157.75
079258	F4B-SXRED-111	B30	183	\$181.75
075613	F4B-SXRED-112	B30	183	\$181.75
075191	F4B-SXRED-115	B30	183	\$206.50
079259	F4B-SXRED-200	B30	183	\$206.50
075619	F4B-SXRED-200L	B30	183	\$258.75
075192	F4B-SXRED-203	B30	183	\$258.75
077415	F4B-SXRED-207	B30	183	\$301.75
079260	F4B-SXRED-215	B30	183	\$486.25
078485	F4B-SXRED-30M	B30	183	\$120.00
078486	F4B-SXRED-35M	B30	183	\$141.50
077520	F4B-SXRED-45M	B30	183	\$181.75
078487	F4B-SXRED-50M	B30	183	\$206.50
078488	F4B-SXRED-60M	B30	183	\$301.75
076823	INS-SXRED-203	B30	568	\$194.75
075231	P2B-SXRBED-100	B30	183	\$101.75
076795	P2B-SXRBED-102	B30	183	\$120.50
076797	P2B-SXRBED-103	B30	183	\$120.00
075320	P2B-SXRBED-104	B30	183	\$141.50
075185	P2B-SXRBED-107	B30	183	\$141.50
075186	P2B-SXRBED-108	B30	183	\$157.75
079253	P2B-SXRBED-111	B30	183	\$181.75
079254	P2B-SXRBED-112	B30	183	\$181.75
075187	P2B-SXRBED-115	B30	183	\$206.50
079255	P2B-SXRBED-200	B30	183	\$206.50
075188	P2B-SXRBED-203	B30	183	\$258.75
079256	P2B-SXRBED-207	B30	183	\$301.75
079257	P2B-SXRBED-215	B30	183	\$486.25
075230	P2B-SXRED-100	B30	183	\$101.75
079246	P2B-SXRED-103	B30	183	\$120.00
079247	P2B-SXRED-104	B30	183	\$141.50
075232	P2B-SXRED-107	B30	183	\$141.50
075233	P2B-SXRED-108	B30	183	\$157.75
079248	P2B-SXRED-111	B30	183	\$181.75
079249	P2B-SXRED-112	B30	183	\$181.75
075234	P2B-SXRED-115	B30	183	\$206.50
079250	P2B-SXRED-200	B30	183	\$206.50
075235	P2B-SXRED-203	B30	183	\$258.75
079251	P2B-SXRED-207	B30	183	\$301.75
079252	P2B-SXRED-215	B30	183	\$486.25
078489	P2B-SXRED-30M	B30	183	\$120.00
077809	P2B-SXRED-45M	B30	183	\$181.75
078490	P2B-SXRED-50M	B30	183	\$206.50
077483	TB-SXRED-100	B30	183	\$108.00
077464	WSTU-SXRED-103	B30	183	\$155.00
077465	WSTU-SXRED-107	B30	183	\$181.50
078491	WSTU-SXRED-30M	B30	183	\$155.00
078492	WSTU-SXRED-50M	B30	183	\$244.75

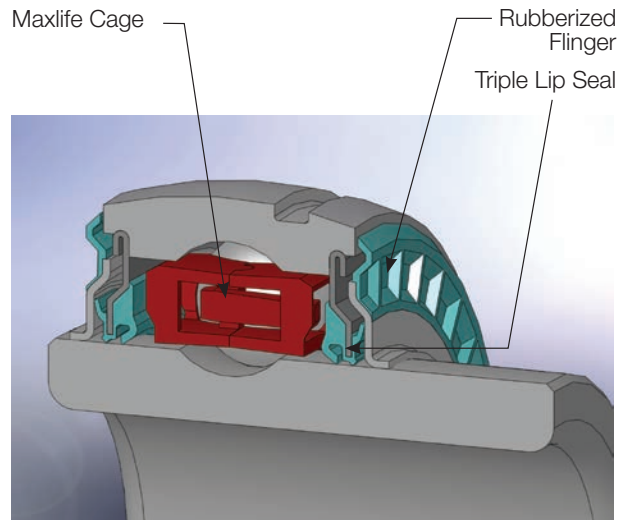
\*Other part numbers may be created upon request.

# Superior retention of lubrication and prevention of contamination for a longer-performing mounted ball bearing

## Patented Quadguard Seal

Extreme Duty uses our patented QuadGuard sealing system that offers superior protection in tough environments where there is significant risk of contamination. Industries such as aggregates, cement, paper, wood products and metals require a sealing system that will extend the life of the bearing in harsh conditions. There are two major components to the QuadGuard design:

- Triple-lip seal
  - Patented design
  - Mechanically retained seal with two contact points on the inner ring and one contact point that rides against flinger surface
  - Three points of contact guard against contamination and retain lubricants
  - Maximizes sealing without a significant speed rating reduction compared to a single lip design
- Rubberized flinger
  - Patented design (first in the industry)
  - Molded rubber provides additional protection from contaminants entering the bearing
  - Baffle design of the rubber on the external surface of the flinger enhances the removal of liquid as it rotates
  - Grease chambers on the internal surface prevent lubricants from exiting the bearing
  - Superior design increases service life in dirty environments, thus leading to extended uptime



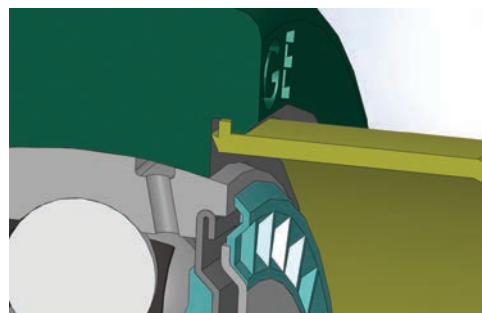
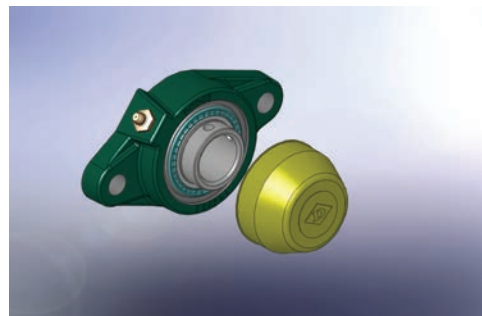
## Less Maintenance Required

The Maxlife cage incorporates an innovative cage design that is unique to Dodge. The Maxlife cage is the product of extensive research and development in retainer technology and industry-leading engineering.

- Two-piece design that creates a grease compartment around each of the rolling elements
- Compartments allow balls to be constantly in contact with grease, insuring that an oil film will always exist to prevent wear and minimize friction and heat
- Relative motion between the components and the grease is reduced, resulting in lower operating temperatures and extended life
- Compartmental construction of the cage helps hold in the grease and prevents it from being washed out in extremely wet or dirty conditions
- Exclusive design extends life with less frequency of re-lubrication than standard designs

## Synthetic Grease Standard

The Extreme Duty mounted ball bearing utilizes the latest in synthetic grease technology to provide lower operating temperatures, extended grease life, and maximum time between re-lubrication. The Extreme Duty ball bearing from Dodge offers the ultimate in engineering and innovation to provide a product that requires less maintenance and will last longer in demanding environments.



Secure, snap-on end covers provide additional protection from contamination



P.O. Box 2400, Fort Smith, AR 72902-2400 U.S.A., Ph: (1) 479.646.4711, Fax (1) 479.648.5792, International Fax (1) 479.648.5895

**Baldor - Dodge**

6040 Ponders Court, Greenville, SC 29615-4617 U.S.A., Ph: (1) 864.297.4800, Fax: (1) 864.281.2433

[www.baldor.com](http://www.baldor.com)