

## JD NEMA Motors

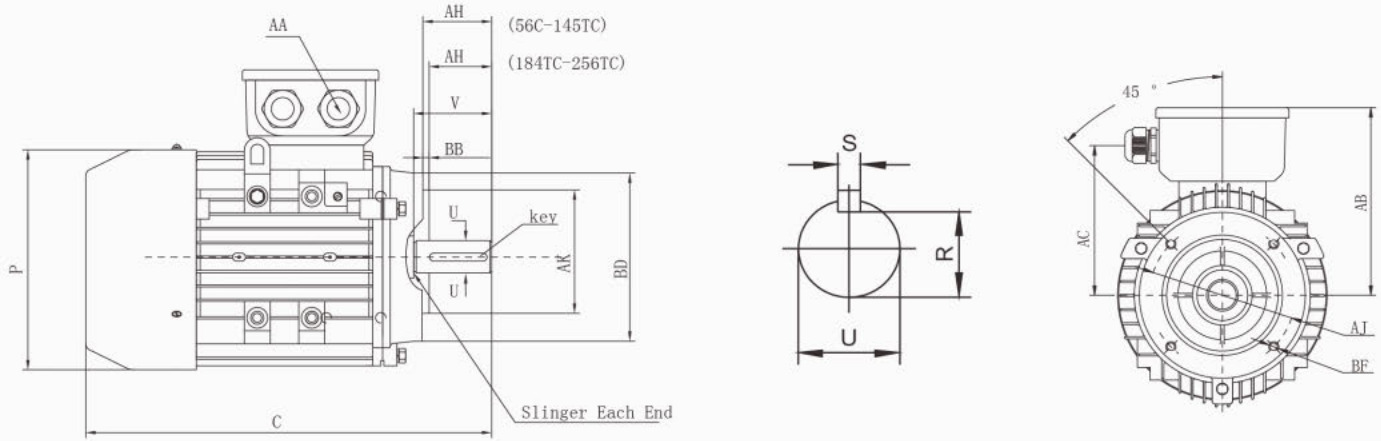
Premium Efficient Motors - C Face TEFC

### Features:

- 1/4 HP - 30 HP
- General Purpose
- 1200 / 1800 / 3600 RPM
- Class F Insulation System
- Multi-mount Foot IP55 Protection
- Double Lip Bearing Seal on DE & ODE
- Severe Duty-suitable-class 1 Division 2
- Inverter-duty Rated - 15 : 1 CT & 30 : 1 VT
- Aluminum Construction From 63 - 160 Frame
- Removable Feet for Aluminum Frame Easy F1 / F2 / F3 or Footless

# NEMA Standard Full Line Motors

## Mounting and overall dimensions



\* Inch

NEMA Frame	A	B	C	D	E	2F	H	Key	N	O	P	S	R	U	V	AA	AB	AC	BA	AH	BB	AK	AJ	BD	BF
48	6	3.6	10.5	3	2.12	2.75	0.34	1.41	1.62	5.85	5.4	0.188	0.453	0.5	1.5	0.5	4.65	3.5	2.5	1.69	0.16	3	3.75	5.625	1/4-20
56	6.5	4	13.8	3.5	2.44	3	0.34		2	7.34	7.5	0.188	0.517	0.625	1.88	0.5	5.5	4.5	2.75	2.06	0.16	4.5	5.875	6.5	3/8-16
143T	6.8	4.9	13.2	3.5	2.75	4	0.38	1.41	2.5	7.48	7.5	0.188	0.771	0.875	2.25	0.75	5.5	4.5	2.25	2.12	0.16	4.5	5.875	6.5	3/8-16
145T		5.9	14.1																						
182T	8.62	6.5	18	4.5	4.5	0.41	1.78	2.81	9.23	8.7	0.25	0.986	1.125	2.75	0.75	7.12	5.75	2.75	2.62	0.25	8.5	7.25	9	1/2-13	
184T																									3.75
213T	9.62	8.12	19	5.25	4.25	5.5	0.41	2.41	3.88	10.99	10.2	0.312	1.201	1.375	3.38	1	9.22	7.43	3.5	3.12	0.25	8.5	7.25	9	1/2-13
215T			20.4																						
254T	11.5	11.5	23.6	6.25	5	8.25	0.53	2.91	4.2	12.96	12.4	0.375	1.418	1.625	4	1.25	10.48	8.66	4.25	3.75	0.25	8.5	7.25	10	1/2-13
256T			25.3			10																			
284T	12.76	12.75	29	7	5.5	9.5	0.53	3.28	4.88	14.74	14	0.5	1.591	1.875	4.63	1.5	12.46	10.14	4.75	4.38	0.25	10.5	9	11.25	1/2-13
286T			30.5			11																			