

JRW WORM GEAR UNIT



JRW Series

Size: 30 -150

Ratio: 5 -100

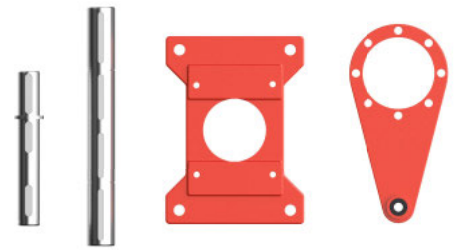
Input Power: 0.08 -20 HP

Output torque: 23-15580 lb-in

Local Inventory in Carol Stream, IL

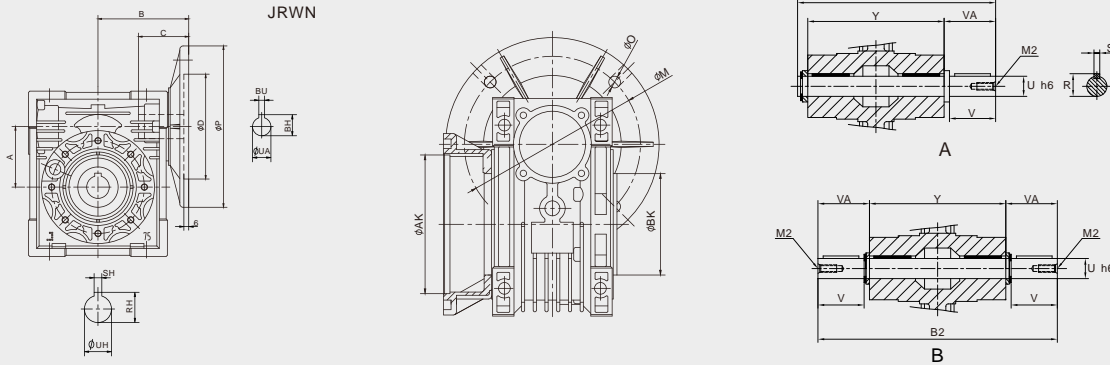
Same Day Delivery

- NSK Bearing & SKF Seal
- Size 30-90 Alu housing
- Size 110-150 Cast Iron



JRWND Gearbox Dimensions

IEC & Servo Adapter available



| A | NEMA | B | C | UA | tolerance | BU | BH | D | P | M | O | UH | tolerance | RH | SH | AK | tolerance | BK | tolerance | V | VA | Y | U | tolerance | R | S | B2 | L | M2 |
|-----|-------|-----|----|-------|------------------|------|------|-------|-------|-------|------|-------|-------------|-------|------|-----|-------------|-----|-------------|-----|------|-----|-------|-------------|------|------|-----|-----|---------|
| 30 | 48C | 67 | 46 | 12.7 | +0.038 +0.013 | 3.18 | 14.2 | 76.2 | 142.9 | 95.3 | 8.2 | 15.88 | +0.018 0 | 18.04 | 4.78 | 50 | +0.046 0 | 55 | 0 -0.046 | 40 | 42.4 | 63 | 15.88 | 0 -0.011 | 17.8 | 4.78 | 148 | 112 | 1/4" 20 |
| 40 | 56C | 80 | 55 | 15.88 | +0.038 +0.013 | 4.78 | 18.1 | 114.3 | 165.1 | 149.4 | 10.5 | 19.05 | +0.025 0 | 21.3 | 4.78 | 60 | +0.046 0 | 60 | 0 -0.046 | 50 | 53 | 78 | 19.05 | 0 -0.011 | 21.1 | 4.76 | 184 | 138 | 1/4" 20 |
| 50 | 56C | 90 | 55 | 15.88 | +0.038 +0.013 | 4.78 | 18.1 | 114.3 | 165.1 | 149.4 | 10.5 | 25.40 | +0.025 0 | 28.3 | 6.35 | 70 | +0.046 0 | 70 | 0 -0.046 | 50 | 53.5 | 92 | 25.4 | 0 -0.013 | 28.2 | 6.35 | 199 | 153 | 3/8" 16 |
| 63 | 56C | 105 | 55 | 15.88 | +0.038 +0.013 | 4.78 | 18.1 | 114.3 | 165.1 | 149.4 | 10.5 | 28.58 | +0.025 0 | 31.5 | 6.35 | 115 | +0.054 0 | 80 | 0 -0.054 | 60 | 63.5 | 112 | 28.58 | 0 -0.013 | 31.2 | 6.35 | 239 | 183 | 3/8" 16 |
| | 140TC | 105 | 59 | 22.23 | +0.038 +0.013 | 4.78 | 24.6 | 114.3 | 165.1 | 149.4 | 10.5 | 28.58 | +0.025 0 | 31.5 | 6.35 | 115 | +0.054 0 | 80 | 0 -0.054 | | | | | | | | | | |
| 75 | 56C | 126 | 55 | 15.88 | +0.038 +0.013 | 4.78 | 18.1 | 114.3 | 165.1 | 149.4 | 10.5 | 31.75 | +0.025 0 | 34.8 | 6.35 | 130 | +0.063 0 | 95 | 0 -0.054 | | | | | 0 -0.013 | 34.5 | 6.35 | 267 | 202 | 1/2" 13 |
| | 140TC | 126 | 59 | 22.23 | +0.038 +0.013 | 4.78 | 24.6 | 114.3 | 165.1 | 149.4 | 10.5 | 31.75 | +0.025 0 | 34.8 | 6.35 | 130 | +0.063 0 | 95 | 0 -0.054 | 70 | 73.5 | 120 | 31.75 | 0 -0.013 | 34.5 | 6.35 | 267 | 202 | 1/2" 13 |
| | 180TC | 126 | 76 | 28.58 | +0.038 +0.013 | 6.35 | 31.5 | 215.9 | 228.6 | 184.2 | 14 | 31.75 | +0.025 0 | 34.8 | 6.35 | 130 | +0.063 0 | 95 | 0 -0.054 | | | | | | | | | | |
| 90 | 56C | 143 | 55 | 15.88 | +0.050 +0.013 | 4.78 | 18.1 | 114.3 | 165.1 | 149.4 | 10.5 | 34.93 | +0.025 0 | 38.6 | 7.94 | 152 | +0.063 0 | 110 | 0 -0.054 | | | | | 0 -0.013 | 38.3 | 7.94 | 309 | 234 | 1/2" 13 |
| | 140TC | 143 | 59 | 22.23 | +0.038 +0.013 | 4.78 | 24.6 | 114.3 | 165.1 | 149.4 | 10.5 | 34.93 | +0.025 0 | 38.6 | 7.94 | 152 | +0.063 0 | 110 | 0 -0.054 | 80 | 84 | 140 | 34.93 | 0 -0.013 | 38.3 | 7.94 | 309 | 234 | 1/2" 13 |
| | 180TC | 143 | 76 | 28.58 | +0.038 +0.013 | 6.35 | 31.5 | 215.9 | 228.6 | 184.2 | 14 | 34.93 | +0.025 0 | 38.6 | 7.94 | 152 | +0.063 0 | 110 | 0 -0.054 | | | | | | | | | | |
| 110 | 140TC | 173 | 59 | 22.23 | +0.050 +0.013 | 4.78 | 24.6 | 114.3 | 165.1 | 149.4 | 10.5 | 41.28 | +0.025 0 | 45.7 | 9.53 | 170 | +0.063 0 | 130 | 0 -0.063 | | | | | 0 -0.013 | 45.4 | 9.53 | 344 | 259 | 5/8" 11 |
| | 180TC | 173 | 76 | 28.58 | +0.038 +0.013 | 6.35 | 31.5 | 215.9 | 228.6 | 184.2 | 14 | 41.28 | +0.025 0 | 45.7 | 9.53 | 170 | +0.063 0 | 130 | 0 -0.063 | 90 | 94.5 | 155 | 41.28 | 0 -0.013 | 45.4 | 9.53 | 344 | 259 | 5/8" 11 |
| | 210TC | 173 | 89 | 34.93 | +0.050 +0.013 | 7.95 | 38.6 | 215.9 | 228.6 | 184.2 | 14 | 41.28 | +0.025 0 | 45.7 | 9.53 | 170 | +0.063 0 | 130 | 0 -0.063 | | | | | | | | | | |
| 130 | 140TC | 193 | 59 | 22.23 | +0.050 +0.013 | 4.78 | 24.6 | 114.3 | 165.1 | 149.4 | 10.5 | 44.45 | +0.025 0 | 48.8 | 9.53 | 180 | +0.063 0 | 180 | 0 -0.063 | | | | | 0 -0.013 | 48.7 | 9.53 | 360 | 275 | 5/8" 11 |
| | 180TC | 193 | 76 | 28.58 | +0.038 +0.013 | 6.35 | 31.5 | 215.9 | 228.6 | 184.2 | 14 | 44.45 | +0.025 0 | 48.8 | 9.53 | 180 | +0.063 0 | 180 | 0 -0.063 | 90 | 95 | 170 | 44.45 | 0 -0.013 | 48.7 | 9.53 | 360 | 275 | 5/8" 11 |
| | 210TC | 193 | 89 | 34.93 | +0.050 +0.01 | 7.95 | 38.6 | 215.9 | 228.6 | 184.2 | 14 | 44.45 | +0.025 0 | 48.8 | 9.53 | 180 | +0.063 0 | 180 | 0 -0.063 | | | | | | | | | | |
| 150 | 180TC | 5 | 76 | 28.58 | +0.050 +0.013 | 6.35 | 31.5 | 215.9 | 229 | 184.2 | 14 | 50.8 | +0.025 0 | 56.4 | 12.7 | 180 | +0.063 0 | 180 | 0 -0.063 | 100 | 105 | 200 | 50.8 | 0 -0.019 | 56.3 | 12.7 | 410 | 315 | 3/4" 10 |
| | 210TC | 215 | 89 | 34.93 | +0.050 +0.013 | 7.95 | 38.6 | 215.9 | 229 | 184.2 | 14 | 50.8 | +0.025 0 | 56.4 | 12.7 | 180 | +0.063 0 | 180 | 0 -0.063 | | | | | | | | | | |



JIE USA INC.

493 Mission St. Carol Stream, IL 60188 USA
Tel: +1 630 580-9986
www.jie-drives.com

