

Metric &  
American  
Standard  
Industrial  
Power  
Transmission  
Products

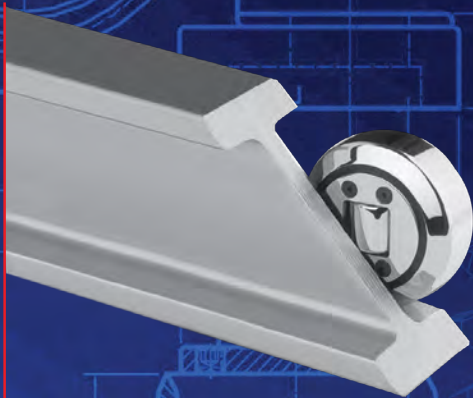
2018

# PRODUCT CATALOG

**MOUNTED BEARINGS**

**POWER TRANSMISSION COMPONENTS**

**EUROPEAN SPECIALTY PRODUCTS**



We Revolve Around You.



P.T. INTERNATIONAL CORP.

[www.ptintl.com](http://www.ptintl.com)

# P.T. INTERNATIONAL CORP.



Metric & American Industrial Power Transmission Products

 <p>SAF Split Blocks for Roller Bearings</p>	 <p>Stainless Steel PBT Thermoplastic Clamp Collar Locking</p> <p>Mounted Ball Bearing Units</p>	 <p>SRE &amp; SR2200 Mounted Roller Bearings</p>
 <p>Metric &amp; Inch Taper Bushings</p> <p>Metric Taper Bushed, Hub &amp; Plate Type, and Stainless Sprockets</p>	 <p>Adapter Sleeves, W/D Sleeves, Hydraulic Nuts and Spanner Wrenches</p>	 <p>SDAF Split Blocks &amp; Custom Asymmetric Split Blocks for Reduced Movement</p>
 <p>Metric Rod Ends</p> <p>Metric Spur Gears &amp; Racks</p>	 <p><b>eich</b></p> <p>Eich Spring Wound Roller Bearings for Casters and Furnaces</p>	 <p>Metric and ANSI Roller Chain &amp; Metric Attachment Chain including Stainless</p>
 <p>HTD, Synchronous &amp; Metric V-Belt Pulleys</p>	 <p>Heavy Duty Linear Motion</p> <p>Combined Bearings &amp; Profiles</p> <p><b>WINKEL</b></p>	 <p>Winkel Lift Systems &amp; Material Handling Solutions</p>

# Metric & American

## INDUSTRIAL POWER TRANSMISSION PRODUCTS



### Stock Products

<b>Mounted Ball Bearings</b>	Set Screw Lock; Eccentric Locking Collar; Concentric Clamping Collar, Adapter Mount; Normal Duty; Stainless Steel, Medium Duty X00 series, Heavy Duty 300 series. Inch & Metric bores 1/2" through 4" & 10mm through 140mm shaft sizes Housing materials: Cast, Ductile, Stainless & PBT Thermoplastic Styles: Pillow Block, 2-Bolt, 3-Bolt & 4-Bolt Flanges, 2 & 4 Bolt Piloted Flanges, Take-Ups, Tapped Base, Steel Flange, Swivel Units, Hanger Units, Cylindrical Units, Flanged Brackets, Stainless and custom styles on request.
<b>Fan Blower Units</b>	Pedestal Mount. Set Screw Locking, 1" through 2-7/16" & 25mm through 60mm.
<b>Mounted Roller Bearings</b>	SRE & SR2200 Mounted Roller Bearings-Pillow Blocks, 4-Bolt Flanges, Piloted Flanges, Take-Ups, End Covers; Inch shaft sizes 1-7/16" through 5", Ductile Housings.
<b>Split Pillow Blocks, Plummer Blocks &amp; Seals</b>	Large Bore Split Housings - Cast Iron, Ductile & Steel SAF/SAFD/SAFS 200, 300, 500, 600, Series - 8" shaft sizes, Taconite Seals. SDAF/SDAFD/SDAFS 30, 31 & 32 series through 22" shaft sizes. Taconite Seals SNG/SN/SNS 200, 300, 500, 600 series 140mm shaft sizes, TAC Seals, SD-series, S3000K series through 300mm shaft size. Flange Bearing Housing - 722505 series - 100mm shaft sizes. DIN 505 series Bronze Sleeve Journal Bearings - 140mm shaft sizes.
<b>Spherical Roller Bearings</b>	Spherical 222, 223, 230, 231 & 232 Series Roller Bearings, others on request.
<b>Double Row Ball Bearings</b>	Double Row Ball - 1200, 1300, 2200 & 2300 series.
<b>Adapter Sleeves, Hydraulic</b>	Inch bores SNW, SNP, H & OH-series (3/4" to 18"); Hydraulic OH is standard over 8" or 200mm. Metric bores in H-series (20 to 450mm).
<b>Withdrawal Sleeves</b>	Metric: 40 to 400mm bore for 222, 230, 223 & 232 series bearings.
<b>Lock Nuts &amp; Lock Washers</b>	Metric & Inch - size 0 through 96, MB, A & AN Lock Nuts, KM & W Lock Washers.
<b>Hydraulic Nuts</b>	HMVE series (Metric Threads, H Adapters) from 32 to 92 size. HMVC series (SNW Inch Threads) size 0 through 96.
<b>Rod Ends</b>	Male & Female Rod Ends - through 35mm bores, Standard, Stainless and maintenance free types.
<b>Metric Spur Gears/Racks</b>	Module sizes 1 through 8, Hub & A-Plate Gears, Racks to 3 meters in length..
<b>Roller Chain</b>	Metric (BS) 04B, 05B, 06B, 08B, 10B, 12B, 16B, 20B, 24B, 28B, 32B, 40B, 48B & 56B Single, Double, Triple - Standard, Nickel, Stainless, Hollow Pin, Lube Free Chain ANSI 25,35,40,41,50,60,80,100,120,140,160,200 - Single, Double, Triple Agricultural Chain: CA2040,CA2050,CA2060,CA550; Lumber Chain: 81X, 81XH Conveyor, Attachment, Rubber Top & Specialty Chain per order, Engineered Chain on request.
<b>Sprockets</b>	Metric A-Plate, B-Hub & TL-Taper Bushed, Stainless and Double Single Sprockets. MPB Size 03B through 24B chain size and from 8 to 125 Teeth - Single, Double, Triple. Bored to size.
<b>TL Taper Bushings</b>	Size 1008 through 5050 - All Standard Metric & Inch bores - 1/2" to 5" bores, 10mm to 125mm; BSW Threads & UNC Threads.
<b>Keyless Bushings</b>	Metric bores, Compression Type, Self Centering, 8mm through 220mm bore sizes, Multiple Flange & Bore Concealed Types.
<b>Weld On Hubs</b>	For 1210 through 5050 TL Bushings. For Plate Sprockets, Spur Gears & more.
<b>Synchronous Pulleys Timing Pulleys</b>	XL, L & H series 1/5", 3/8", 1/2" Pitch - 3/8" to 2" widths, TL Bushed & Pilot Bore HTD & Super Torque 8 & 14mm Pitch, 22 to 216 Teeth, standard widths include 20, 30, 50 & 85mm - TL Bushed stock, BS available.
<b>Metric T &amp; AT - Series Pulleys</b>	5mm & 10mm Pitch, 10 to 60 Teeth in 8, 10, 16, 25, 50mm widths, TL & bored to size possible.
<b>Metric Sheaves</b>	SPA, SPB, SPC and SPZ series, 56 to 710mm O.D., 1-8 Grooves, Variable Pitch Sheaves.
<b>HRC Type Couplings</b>	Flexible Element, Jaw Type, Metric and Inch bores, Taper Bushed - shaft sizes to 75mm or 3". Bored to size 125mm or 5" shaft sizes.
<b>Other</b>	Eich Spring Wound Bearings for Continuous Casters, Metric Key Stock, Private Branded Products, Roll-Ring Chain Tensioners.
<b>Linear Bearings</b>	Metric & Inch Linear Ball Bearing Bushings, Open & Closed, Shafting, Shaft Supports, Standard & Stainless 1/4" to 2", 10mm-50mm sizes.
<b>Winkel Combined Bearings &amp; Profile (Rails)</b>	Combined Linear Bearings and Steel Profile (Guide Rail); Bearings in Steel, Stainless Steel, Vulkollan, Polyamide and Oilamide, with & without Flanges. Individual catalog available.
<b>Winkel Material Handling Systems</b>	Lifts, Gantries, Telescoping Forks, Storage & Retrieval, Pallet Stacking, Packing, Wrapping - Custom designed individual catalog available.

**P.T. INTERNATIONAL CORP.**

P.O. Box 411244 (28241)  
1817 Westinghouse Blvd. (28273)  
Charlotte, NC, USA



(24/7 hours) Ph:(704) 588.1091  
Ph:(800) 763.4434  
Fax:(704) 588.5738  
[ptiinfo@ptintl.com](mailto:ptiinfo@ptintl.com), [www.ptintl.com](http://www.ptintl.com)

**Mounted Ball Bearings – Metric / Inch**

**8-207**

Ball Bearing Selection Criteria | Pillow Blocks | Tapped Base Pillow Blocks | 4-Bolt Flanges & Piloted Flanges | 2-Bolt Flanges & Piloted Flanges | Swivel Flanges | Take-Up Bearings | Hanger Bearings | Cylindrical Units | Standard Ball Bearing Inserts | Corrosion Resistant - Thermoplastic, Stainless & Nickel-Plated Housings, End Covers & Back Covers | Stainless Steel & Thin Dense Chrome Coated Inserts | CFB Series Fan & Blower Blocks



**Ball Bearing Take Up Frames**

**121-125**

PHUSE | Wide Slot Take Up Frames



**SRE / SR2200 Spherical Roller Bearing Housed Units**

**208-235**

SRE 2 & 4-Bolt Pillow Blocks | SRE 4-Bolt Flanges & Piloted Flanges | SR2200 2 & 4 Bolt Flanges | SR2200 4-Bolt Flanges & Piloted Flanges



**Mounted Bearings - SAF & Plummer Blocks**

**236-290**

SAF | SAFD | SAFS | SDAF | SNG & FSSNG | SN | Bronze Journal Bearings | S3000K | SD3100 | SD3200 | 722500 Flange Series (3-Bolt Triangular & 4-Bolt Flange) | HSPA Take Ups | HFO & HFOE | PDNF Double Bearings



**Ball & Spherical Roller Bearings**

**291-297**

Ball Series: 1200, 1300, 2200 & 2300  
Spherical Series: 222, 223, 230, 231 & 232



**Adapters, Withdrawal Sleeves & Nuts**

**298-317**

Adapter Interchange | SNW & SNP Adapters (Inch) | Spanner Wrenches | "H" Series Adapters (Metric & Inch) | "OH" Hydraulic Adapter Sleeves | Hydraulic Nuts | Lock Nuts | Lock Washers | Withdrawal Sleeves



**Radial & Unmounted Bearings**

**318-331**

Series: R, 600, 1600, 6000, 6200, 6300, 6900, 5200 & 5300



**Eich Spring Wound Bearings**

**332-333**

Eich Spring Wound Bearings



**Metric Rod Ends & Spherical Plain Bearings**

**334-350**

Rod End Types: GI, GA, GIS, GAS, GIXS, GAXS, GIRS, GARS, GISW, GASW, GIXSW, GAXSW, GIRSW, GARSW, EI, EA, EI..D, EA..D, EI..D Stainless, EA..D SS Stainless | Rod End Seals & Protector Caps | Metric Hydraulic Rod Ends | Spherical Plain Bearings



**Roller Chain 351-378**

Selection | Roll-Ring® | Metric (British Standard) Chain | ANSI Chain | Metric Attachment Chain | Stainless & Nickel Plated Chain | Stainless Steel Attachment Chain | Chain Design Worksheet | Double Pitch Chain | Chain Breakers | Hollow Pin Chain | Marathon Lube Free Chain | Agricultural/Lumber Chain | Rubber Top/Specialty Chain | Heavy Conveyor Chain & Sprockets



**Metric Sprockets 379-418**

Metric Sprocket Overview | Metric B-Hub Type Hardened Teeth | Metric A-Plate Type | Metric Taper Bushed Type | Metric Stainless | Double Single Sprockets | Idler Sprockets



**Weld-On Hubs, Taper Bushings, Keyless Bushings, & Keystock 419-437**

Taper Bushed Weld-On Hubs | Taper Bushings - Metric and Inch | Keyless Bushings | Keystock



**Gears & Racks 438-449**

Metric Spur Gear | Metric Spur Gear with Hub | Metric Spur Racks for Spur Gears



**Timing Belt Drives 450-482**

Synchronous Pulleys - Bushed, Bored to Size | T-Series & AT-Series Metric Timing Pulleys | HTD Pulleys—Taper Bushed | Super Torque® Pulleys - Taper Bushed | Poly-Chain Pulleys



**V-Belt Pulleys 483- 503**

Sheaves | SPZ, SPA, SPB, SPC, Taper Bushed | Metric Variable Pitch Sheaves



**Shaft Couplings 504-506**

HRC Taper Bushed Shaft Couplings



**Linear Motion Control / WINKEL Combined Bearings & Profiles 507-575**

Round Rail Products | Linear Bearings, Housing & Shafting | WINKEL Combined Bearings and Profile



**Metric & Inch Conversions 576**

# Why PTI?

There's a reason PTI has been the provider of choice when it comes to Industrial Mechanical Power Transmission and Mounted Bearing products - expertise.

For over 20 years, we've made it our mission to be far more than a manufacturer, but also your complete resource for everything related to your Metric and/or American Standard industrial power transmission components. So if you're wondering Why PTI? The answer is simple — **We Revolve Around You** to deliver:



**KNOWLEDGE** — Our extensive product insight and engineering background allow us to give you expert guidance in the selection, installation, and servicing of virtually every kind of power transmission product and application.

**TEAMWORK** — We're proud to offer each and every client the benefit of a team with unparalleled industry experience and a customer support team with an average of 12+ years specifically in the industrial power transmission industry.

**ACCOUNTABILITY** — Just like the best machines, we believe that everyone has to do their part in order to achieve superior results. So we'll always stand behind our actions, decisions, and dedication to support you.

We do it all because we believe deeply in the power of relationships and our willingness to be in it for the long haul. It's a key element of the PTI difference and why we never stop working until you're completely satisfied. This catalog is the first step in that journey... let's make it together.

**INTEGRITY** — Because you expect the best from our products and our people, we also demand it of ourselves.

**INNOVATION** — PTI has always been driven by a desire to make things better, which means we never stop looking for ways to improve our products and to provide more value to our clients.

**EXCELLENCE** — There is no such thing as 'second best' in the world of PTI. You'll only get our very best on every product, every project, every time.

**ACCESS** — PTI is there for you before, during, and after the sale with 24/7/365 support, same-day shipping, and technical know-how for even your most demanding challenges.

# The Market is Global. The Choice is Clear.

Now, more than ever, the industrial power transmission industry serves an international audience on multiple continents. That means the need for both Metric and American Standard parts is growing and will only continue to expand as equipment is moved from one place to another, country to country, job to job.

At PTI, we saw this trend emerging years ago, and made it a priority to be well versed in both sides of the market.

Revolving Around You  
for Over 25 Years



Today, we're now at the forefront of the industry when it comes to expertise and excellence in both Metric and American Standard components and bearings - and we're your simple, one-stop provider for a world of industrial power transmission needs.

What started as a primarily Metric industrial power transmission components and mounted bearing product range has evolved to be an impressive offering of over 25,000 SKU's, including those manufactured by European specialty partners such as WINKEL and Eich.

Alongside that growth and expansion, our engineering team has also evolved - developing customized products, private branding strategies, and a full spectrum of support services related to our high-quality Metric and American Standard industrial power transmission components and bearings.

If you need it, PTI will deliver it, find it, or create it from scratch so that your operation never stops. We invite you to experience the advantage of letting **PTI Revolve Around You.**

**MOUNTED BALL BEARINGS**

Pages 13-149

- » Pillow Blocks & Tapped Base
- » 2, 3 & 4 Bolt Flanges
- » Piloted Flanges
- » Set Screw, Eccentric, Adapter Lock, and Concentric Lock Inserts
- » PTI and Euro Brand Inserts
- » Nickel Plated Units
- » Corrosion Resistant Units
- » Expansion Units
- » End Covers
- » Take-Up Units

**CORROSION RESISTANT BALL BEARINGS**

Pages 150-207

- » Stainless Steel Housings & Inserts
- » Nickel Plated Housings
- » PBT Thermoplastic Housings & End Covers
- » Set Screw and Eccentric Lock Stainless Steel Bearings
- » Set Screw Locking Thin Dense Chrome (TDC) Coated Inserts

**SRE/SR2 SPHERICAL ROLLER SPLIT BLOCKS**

Pages 208-235

- » 2 & 4-Bolt Pillow Blocks
- » 4-Bolt Flange Units
- » Piloted Flange Units
- » Take-Up Units
- » End Covers

**MOUNTED ROLLER BEARINGS - SAF & PLUMMER BLOCKS**

Pages 236-297

- » SAF/SAFD/SAFS Split Pillow Blocks
- » SDAF Split Pillow Blocks
- » Metric SNG, FSSNG, SN/SNS Split Plummer Blocks
- » S3000K & SD3100 Split Metric Plummer Blocks
- » 722500 Series Metric Flange Bearings
- » HFOE, HFO and PDNF Fan Bearing Units
- » HSPA Take Up Units
- » Spherical Roller and Double Row Ball Bearings

**ADAPTERS, WITHDRAWAL SLEEVES, NUTS**

Pages 298-317

- » Metric/Inch Adapter Sleeves & Nuts
- » Metric Withdrawal Sleeves & Nuts
- » Hydraulic Nuts & Removal Sleeves
- » Spanner Wrenches, Lock Washers, Locknuts





## ROLLER & ENGINEERED CHAIN

Pages 351-378

- » Metric (British Standard) and ANSI Roller Chain
- » Single, Double, Triple-Standard
- » Nickel Plated, Stainless Steel
- » Metric Attachment, Agricultural, Stainless
- » Conveyor and Specialty Chain
- » Lumber Chain
- » Hollow Pin Chain
- » Marathon Lube-Free Chain



## SPROCKETS

Pages 379-418

- » Taper Bushed Type, Bored to Size
- » Single, Double, Triple, Hardened Teeth
- » Metric-Hub and Plate Type
- » Specialty, Conveyor Chain Sprockets
- » Idler Sprockets, Double Single Sprockets
- » Stainless Steel Sprockets
- » Made to Order Custom Sprockets
- » ANSI Sprockets on Request



## WELD-ON HUBS / KEYLESS BUSHINGS

Pages 419-437

- » TL Taper Bushings for Weld-On Hubs
- » KLAA Series Keyless Bushings



## GEAR RACK & SPUR GEARS

Pages 438-449

- » Metric Spur Gears—Hub Type and Plate Type
- » Metric Gear Racks for Spur Gears



## BELT DRIVE PRODUCTS

Pages 450-506

- » Metric T-Series & AT Series Timing Pulleys
- » Taper Bushed HTD Pulleys, QD Optional
- » Poly Chain Sprockets, Taper Bushed & Bored to Size
- » Taper Bushed Synchronous XL, L, H Pulleys
- » Super-Torque Timing Pulleys - Taper Bushed
- » Taper Bushed Metric SPZ, SPA, SPB & SPC V-Belt Sheaves
- » Variable Pitch Metric Sheaves
- » Metric and Inch Bore Taper Bushings



# Specialty Products

## Metric Rod Ends

Pages 334-350



External Thread    Internal Thread    Self-aligning Journal



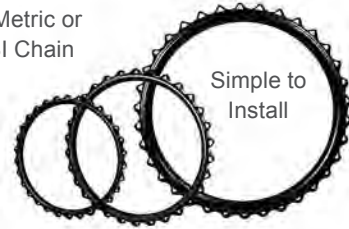
Hydraulic-CETOP    Accessories    Seals & Covers

## Roll-Ring® Chain Tensioners

Page 353



Fits Metric or ANSI Chain



Simple to Install

Provides Constant Tension



## Eich Roller Bearings

Page 332-333



Spring Wound Races — Spiral



Installation Tools

Caster & Furnace Bearings

High Temp, Heavy Load Capability

Operating Temps to 500°C +



SACRB Bearings



Misalignment and Axial Float Capability

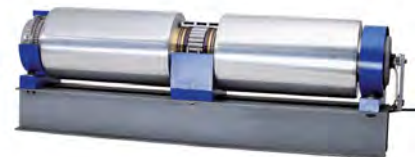
Water Cooled Split Bearings



Heavy Duty Split Units



Belt Drives / Couplings



# Specialty Products

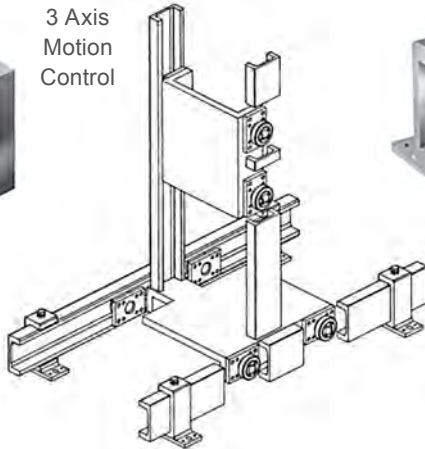
# WINKEL Linear Bearings & Profiles (Rails)

Pages 526-574



Flange mounted for easy installation

3 Axis Motion Control



Radial and Thrust Capability

Stainless Units



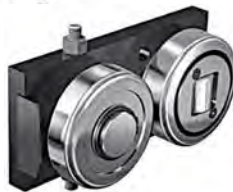
Vulkollan Polyamide



Heavy Duty Units



Units for Quiet Operation



Type JC Adjusting Unit



Shims for Axial Adjustment



Jumbo Units

# Linear Bearings & Shafting

Pages 507-523



Linear Ball Bearing Pillow Block - Closed

Linear Ball Bearing Pillow Block - Open



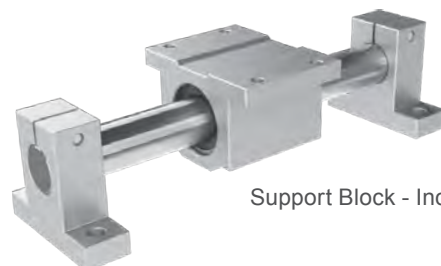
Linear Ball Bearing Bushings - Closed



Support Rails & Assemblies



Linear Ball Bearing Bushings - Open



Support Block - Inch

# Mounted Ball Bearings

PTI offers the widest assortment of housings and ball bearing inserts in the industry. We have cataloged the more popular combinations, but others are available. So if you cannot find exactly what you want, let us know. We stock finished components as well as assemblies, so nearly every combination is possible.

## Shaft Attachment Methods

Typically Mounted Ball Bearings attach to the shaft with set screws, eccentric locking collars, a tapered adapter or a clamping lock collar. PTI stocks all four types. The various inserts fit into any housing type.

Set Screw  
Locking  
(UC, SB)



Eccentric  
(HC, SA)

Concentric  
Clamping Collar  
(CL)



Tapered  
Adapter  
(GSH, UK)

## PTI and Euro Series

PTI offers two brands of inserts in Set Screw and Eccentric Lock Mount. The Euro Series is a popular European Brand and uses a nylon type cage for higher speeds. The PTI Series is a PTI Brand and available in all 4 mounting types. See insert section for dimensions.



UC Euro



UC PTI

The choice allows for two price points. A wide range of inserts are available: Wide Inner Ring or Narrow Inner Ring; Set Screw Locking, Eccentric Collar Lock, Concentric Clamping Collar, or Tapered Adapter; Standard or Stainless Steel; as well as Cylindrical OD types. So you have choices!

## Housing Types

PTI stocks over 400 housing styles including popular European Metric, Asian Metric and American Standard configurations. Stainless and thermoplastic housings are stock as well. Custom housings are also possible.

## Wide Range of Styles



## Pillow Blocks



## 4-Bolt Flange and Cartridge Types



# Mounted Ball Bearings

Product Overview Cont.

## 3-Bolt Flange Units



## 2-Bolt Flange Units



## Take-ups, Hanger and Swivel Flange Units



## Corrosion Resistant All Stainless Steel

\*Thin Dense Chrome Inserts available upon request



## Thermoplastic Housings and Stainless Bearing Inserts



## PTI and Euro Series Inserts, Wide and Narrow Inner Rings, Set Screw, Eccentric Collar, Concentric Collar, and Adapter Locking Types



# Ball Bearing Selection Criteria



## Load

There are basically two types of bearing loads: Radial and Thrust. For proper selection, the value of these loads must be determined. Service factors for applications can vary from uniform, light or heavy shock loads. The service factor for uniform loads is 1.0, for light shock loads use 2.0 and for heavy shock use 3.0 times the load.

## Speed

When selecting bearings, the maximum speed published is intended as a guide. It is also generally assumed in life calculations that heavy loads are not applied at the maximum speeds, but rather lighter loads at higher speeds and heavier loads at lower speeds. Heavy loads and high speeds will increase bearing operating temperatures which can effect the lubricant, seals and the cages or retainers. Bearing speeds are limited primarily by tolerance grade of balls, internal clearance, raceway, lubricant, ambient conditions, retainer design, and type of bearing seal.

## Brand

**PTI Series** Ball Bearing Mounted Units have steel cages. The bearings are grease lubricated and have a steel slinger with a lip seal on each side of the bearing. Triple lip seals are also available. Nylon cages are available on request

**Euro Series** Ball Bearing Mounted Units have a molded nylon cage. The bearings are grease lubricated and have a lip seal between 2 pieces of zinc plated steel. The limiting speeds are listed on the Ball Bearing pages. Our Euro series is a popular European brand of insert and marked as such.

## Life

The  $L_{10}$  Life is the expected life of a bearing based on normal conditions. Factors involving temperatures and ambient conditions, i.e. chemical, moisture and maintenance intervals are not factored into the basic formula. However they must be considered or factored into your selection criteria. To determine the  $L_{10}$  hours of life for ball bearing use the following:

$$L_{10} = (C/P)^3 \times 16667/\text{rpm}$$

where:  $L_{10}$  = Life hours.  $C$  = Dynamic capacity (Lbs).

$P$  = Equivalent Radial load (Lbs). When  $P$  is a radial load only, then  $P$  = the actual radial load. If there is a thrust and radial load acting on the bearing, then these loads must be converted into an equivalent load. The equivalent load formula is:

$$P = (X \times F_R) + (Y \times F_A)$$

where  $P$  = equivalent load (lb). See table A, where:

$F_R$  = radial load (lb),  $F_A$  = thrust axial load (lb),  $e$  = thrust load to radial load factor (see table A),  $X$  = radial load factor (table A),  $Y$  = thrust factor (table A),  $C_o$  = basic static rating (Lbs).

The first step is to find  $X$  and  $Y$ . Calculate  $F_A/C_o$  to determine  $e$ . Then calculate  $F_A/F_R$  and compare to  $e$  to determine the  $X$  and  $Y$  factors to use from table A. Next substitute all known values into  $P = (X \times F_R) + (Y \times F_A)$  equation. Then put the value of  $P$  into the  $L_{10}$  life formula to determine the life hours of the bearing. Rpm is the shaft speed in revolutions per minute.

Table A

$\frac{F_A}{C_o}$	$e$	Radial/Thrust Factors			
		If $F_A/F_R$ is equal to or less than $e$		If $F_A/F_R$ is greater than $e$	
		$F_A/F_R \leq e$		$F_A/F_R > e$	
		X	Y	X	Y
.014	.19	1	0	.56	2.30
.021	.21	1	0	.56	2.15
.028	.22	1	0	.56	1.99
.042	.24	1	0	.56	1.85
.056	.26	1	0	.56	1.71
.070	.27	1	0	.56	1.63
.084	.28	1	0	.56	1.55
.110	.30	1	0	.56	1.45
.170	.34	1	0	.56	1.31
.280	.38	1	0	.56	1.15
.420	.42	1	0	.56	1.04
.560	.44	1	0	.56	1.00

## Misalignment

There are two types of misalignment: **Static**, which refers usually to a bearing alignment in a housing and **Dynamic**, which is usually a misalignment that can be handled within the bearing while operating. Aligned bearings run smoother, cooler, and quieter than misaligned units. Consequently, misaligned bearings will run hotter than aligned units. Cooler running bearings will operate longer than hot running bearings. Single Row ball bearings in housings will generally handle +/- 2% static misalignment but only slight dynamic misalignment. Spherical Roller bearings, as a comparison, can handle larger dynamic misalignments.

## Temperature / Lubrication

Bearings that operate at higher temperatures may experience a reduced life. There are no specific simple formulas to predict this, but a good understanding and experience of the application will help maximize bearing life. PTI Ball Bearings are lubricated with a high quality Lithium NIGI Grade 3 Grease. The lubrication is capable of 230°F, or higher for brief moments. PTI Stainless Steel bearing inserts are lubricated with Mobil FM222 H1 Food Grade grease. A slight showing of grease purging from the seal area is optimal. When re-lubricating, small amounts of grease at frequent intervals is more desirable than large amounts infrequently. Re-lube while the bearing is rotating if possible. The normal recommended operating temperatures for these bearings are 10°F to 200°F in a clean environment. Higher or lower operating temperatures will require the use of a special lube. Higher ambient temperatures require lube with special features and the bearing races should also be specially heat treated or "normalized" to improve their resistance to warping. Also, special seals, internal clearance and frequent lubrication (possibly daily) may be necessary. A bearing required to operate above 250°F will need to be de-rated in capacity. Load de-rated factors can be provided for elevated temperatures. Special seals, lubricant, internal clearances can also be provided. Lubricant details are available on request.

## Other Conditions

Determine if a standard Cast Iron housing and the standard bearing will withstand the operating environment. Thermoplastic, Stainless Steel and Nickel Plated housings along with Stainless Steel bearing inserts for wash down applications are also available. Consult PTI for other needs or requirements.

# Mounted Ball Bearings - Shaft Locking Methods

.....4 Choices, each with a purpose.....all available at PTI.

There are 4 standard methods to lock Mounted Ball Bearings to the shaft. Each method has its advantages. The following will review the basics of these 4 mounting choices to help determine which method would be best for the application. The general installed dimension for each unit is basically the same with a minor difference in length thru the bore. Depending on application need, one method may yield a better operating result.

PTI stocks each of these options in the standard inch and metric bore sizes and can assist in product selection. Each Bearing can be mounted into almost any housing to create the insert type and housing style preferred. Popular combinations are listed on the following pages, yet many other versions are possible from these stock components.

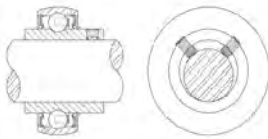
## 1. Set Screw Locking - UC Insert



Set Screw Locking is one of the most popular and the least cost of the 4 attachment methods. This type is simple to install and two set screws tighten the bearing to the shaft. The



clearance fit of bearing on the shaft, makes installation simple and quick. They are typically used for low to medium speed applications. The set screws will eventually create a small burr on the shaft making removal a little more difficult. As the bearing works, it may require that the set screws be re-tightened periodically. Set screws are usually knurled or a cup point design which helps keep them tight. Due to the clearance fit, some fretting can occur between the shaft and the bore of the bearing. This can make removal a little more difficult over time. Dimpling the shaft or adding a flat where the set screw bears against the shaft makes removal easier. The smaller the clearance between the bearing and the shaft, the smoother the bearing will operate resulting in less vibration and generally helping to extend bearing life. The above sketch is exaggerated to illustrate the clearance between the shaft and the bearing inner ring.



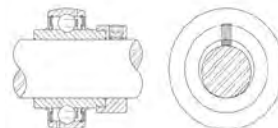
## 2. Eccentric Collar Locking - HC Insert



The eccentric locking collar is also a popular method of mounting a ball bearing to the shaft. The bearing inner ring has an eccentric



groove and a mating groove is machined into the collar. Commonly a drift pin and hammer are used to tighten the collar against the mating eccentric of the inner ring, locking the bearing to the shaft. Generally the locking collar is tightened with the direction of shaft rotation. For reversing loads, it is best to use another locking method as torque reversals could loosen the collar. One set screw in the collar keeps the collar in position on the mating eccentrics. This is still a clearance fit of bearing to the shaft. Some shaft fretting or rubbing of parts will likely occur over time. A burr raised on the shaft during the tightening of the set screw may slightly hinder removal. A flat on the shaft helps to minimize this. The eccentric collar is also an economical method and popular in all of the various housing types including pillow blocks, flanges, tapped bases, take-ups and more. The above view of the shaft is exaggerated for clarity.



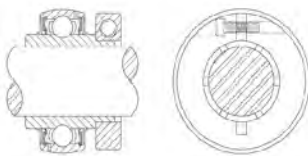
## 3. Concentric Locking Clamp Collar - CL Insert



The concentric locking method allows the bearing inner ring to fit concentrically to the shaft. This is still a clearance fit of bearing inner ring to the shaft, therefore



easy to install and will not loosen after proper initial tightening. These units are more expensive than comparably sized set screw or eccentric locking methods due to the additional collar and slotted inner race. As the cap screw in the split locking collar is tightened, the collar compresses the spline zone of the inner ring to grip or squeeze the shaft. Loosening the concentric collar will loosen the unit and removal is easy. The load rating for all units being compared are basically the same. As expected, they run smoother due to an improved concentric fit onto the shaft. Reduced fretting between the shaft and bore of the bearings is also a benefit due to the concentric clamping of the shaft.



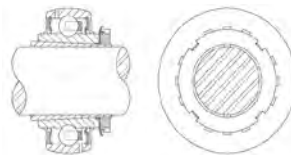
## 4. Adapter Mount Locking - UK & GSH Insert



The adapter locking method provides the most concentric locking fit of the 4 types simulating the direct mounting of bearing to the shaft. The adapter mounting allows highest speed



with the least amount of residual vibration. It is also typically higher in cost as compared to the set screw or eccentric locking types primarily due to the additional components. Due to the improved (near ideal) shaft fit, no fretting occurs between components when they are properly tightened. Hence, the bearing can ultimately be removed without any damage to the shaft, allowing shaft re-use. A tang on the locking washer is bent into a slot on the locknut to ensure a positive lock, even during reversing loads. Two adapter mount versions are available. The GSH insert allows interchange with the same shaft and housing footprint as any of the three other mounting methods. While the UK insert can be considered a medium duty robust bearing unit and requires one housing size larger. When either unit is used in a flange type housing, the adapter type may require shims between the flange and the mounting frame. The bearing will shift approx 1/16" during mounting as the bearing is pushed up the tapered sleeve.



# Mounted Ball Bearing Interchange



## Normal Duty - 200 Series

PTI	Mounting	Style	AMI	Browning	Dodge	Fafnir	FYH	Hub City	INA	NTN	PEER	Sealmaster	SKF
-----	----------	-------	-----	----------	-------	--------	-----	----------	-----	-----	------	------------	-----

### Pillow Blocks

SW	Eccentric	Pillow Block	-	-	-	VAS	-	PB221	PASE	-	-	-	SY..FM
SW..U	Set Screw	Pillow Block	-	-	P2B-SC	YAS	-	PB251W	RASEY	-	-	-	SY..TF
SW..A	Eccentric	Pillow Block	-	-	P2B-SXR	RAS	-	PB221W	RASE	-	-	-	SY..WF
SW..S	Set Screw	Pillow Block	-	-	-	SAS	-	PB251	PASEY	-	-	-	SY..RM
SW..K	Adapter	Pillow Block	-	-	-	-	-	-	-	-	-	-	-
SW..GSH	Adapter	Pillow Block	-	-	-	-	-	-	RASEA	-	-	-	SY..KG
UCP	Set Screw	Pillow Block	UCP	VPS-2	P2B-SC	YAS	UCP	PB251W	RASEY	UCP	UCP	NP	SY..TF
UKP	Adapter	Pillow Block	UKP	-	-	-	UKP	-	-	-	-	-	-
HCP	Eccentric	Pillow Block	UGP	VPE	P2B-SXR	RAS	NAP 2	PB221W	RASE	UELPL	HCP	RP..E	SY..WF
CLP	Clamp Collar	Pillow Block	UEP	-	-	RASC	-	-	-	-	-	NP..T	-
RAK	Eccentric	Pillow Block LH	UGAK	VPLE	P2B-SXRB	RAK	NAPK	PB220W	RAK	UELPL	HCLP	RPL	SYH..WF
RAK..CL	Clamp Collar	Pillow Block LH	UELPL	-	-	-	-	-	-	-	-	NPL..TM	-
VAK	Eccentric	Pillow Block LH	KHLP	VPLE	P2B-SXVB	VAK	VASL	PB220	PAK	AELPL	FHLP	VPL	SYH..FM
RAKH	Eccentric	Pillow Block	UGAHK	-	-	RAKH	-	-	-	-	-	-	-
RAKHL	Eccentric	Pillow Block	-	-	-	RAKHL	-	-	-	-	-	-	-
BS	Eccentric	Stmp Stil Pil Blk	KHPP	SSPE	P2B-SLX	PB	SAPP	-	PB	AELPP	FHPPZ	SSP	S..FM
BS..S	Set Screw	Stmp Stil Pil Blk	BPP	-	-	-	SBPP	PB..S	PBY	ASPP	FHSPZ	-	S..RM
BSR	Eccentric	Stmp Stil Rub Pil Blk	KHPR	SSRPE	-	PBR	-	-	-	-	FHPRZ	-	SR..FM
BSR..S	Set Screw	Stmp Stil Rub Pil Blk	BPR	SSRPS	-	-	-	-	ASRPP	FHSPRZ	-	-	SR..RM
UP	Eccentric	Pillow Block	UP	-	-	-	-	-	-	-	-	-	-
KP	Set Screw	Pillow Block	KP	-	-	-	-	-	-	-	-	-	-

### Tapped Base Pillow Blocks

TB	Eccentric	Tap Base - (in)	-	-	-	-	-	-	-	-	-	-	-
TB..U	Set Screw	Tap Base - (in)	UCTB	VTBS	TB-SC	STB	UCPAN	TPB250W	-	-	UCPAS	TB	-
TB..A	Eccentric	Tap Base - (in)	-	-	-	-	-	-	-	-	-	-	-
TB..S	Set Screw	Tap Base - (in)	-	-	-	-	-	TB250	-	-	-	-	-
TB..K	Adapter	Tap Base - (in)	-	-	-	-	-	-	-	-	-	-	-
TB..GSH	Adapter	Tap Base - (in)	-	-	-	-	-	-	-	-	-	-	-
TB..CL	Clamp Collar	Tap Base - (in)	UETB	VTBB	TB-DL	-	-	-	-	-	-	TB..T	-
UCPAM	Set Screw	Tap Base - (mm)	PA	-	-	-	PA	-	UP	-	-	-	SYFJ
UCPA(1)	Set Screw	Tap Base - (in)	-	-	-	-	-	-	-	UCPA(1)	-	-	-
HCPA	Eccentric	Tap Base - (in)	-	-	-	-	-	-	-	-	-	-	-
SAPA	Eccentric	Tap Base - (in)	-	-	-	-	-	-	-	-	-	-	-
SBPA	Set Screw	Tap Base - (in)	-	-	-	-	-	-	-	-	-	-	-
UKPA	Adapter	Tap Base - (in)	-	-	-	-	-	-	-	-	-	-	-
PA..GSH	Adapter	Tap Base - (in)	-	-	-	-	-	-	-	-	-	-	-
SWG(3)	Eccentric	Tap Base - (mm)	KHSHE	-	-	-	-	-	PSHE	-	-	-	SYF..FM
SWG..U(2)	Set Screw	Tap Base - (mm)	UCSHE	-	-	-	-	-	RSHEY	-	-	-	SYF..TF
SWG..A(2)	Eccentric	Tap Base - (mm)	UGSHE	-	-	-	-	-	RSHE	-	-	-	SYF..WF
SWG..S(2)	Set Screw	Tap Base - (mm)	BSHE	-	-	-	-	-	PSHEY	-	-	-	SYF..RM
SWG..K(2)	Adapter	Tap Base - (mm)	-	-	-	-	-	-	-	-	-	-	-
SWG..GSH	Adapter	Tap Base - (mm)	-	-	-	-	-	-	RSHEA	-	-	-	SYF..KG

### 4-Bolt Flange Units

FWS	Eccentric	4-Blt Flange	-	-	-	-	-	FB220	-	-	-	-	FY..FM
FWS..U	Set Screw	4-Blt Flange	-	-	-	-	-	-	-	-	-	-	FY..TF
FWS..A	Eccentric	4-Blt Flange	UGSLF	-	-	-	-	-	-	-	-	-	FY..WF
FWS..S	Set Screw	4-Blt Flange	-	-	-	-	-	FB250	-	-	-	-	FY..RM
FWS..K	Adapter	4-Blt Flange	-	-	-	-	-	-	-	-	-	-	-
FWS..GSH	Adapter	4-Blt Flange	-	-	-	-	-	-	-	-	-	-	FY..KG
UCF	Set Screw	4-Blt Flange	UCF	VF4S	F4B-SC	YCY	UCF2	FB250W	RCJY	UCF2	UCF	SF	FY..TF
UKF	Adapter	4-Blt Flange	UKF	-	-	-	UKF	-	-	UKF	-	-	-
CLF	Clamp Collar	4-Blt Flange	UEF	VF4B	F4B-DL	RCJC	-	-	-	-	-	SF..T	-
HCSLF	Eccentric	4-Blt Flange	UGSLF	VF4E	F4B-SXR	RCJ	NANF	FB220W	RCJ	UELFLU	HCFS	RF..E	FY..WF

Note: (1) PTI & Competitor - Inch tapped threads.

(2) PTI & Competitor - Metric tapped Threads. Interchanges are for comparison purposes only. Dimensions may vary.



# Mounted Ball Bearing Interchange



## Normal Duty - 200 Series

PTI	Mounting	Style	AMI	Browning	Dodge	Fafnir	FYH	Hub City	INA	NTN	PEER	Sealmaster	SKF
-----	----------	-------	-----	----------	-------	--------	-----	----------	-----	-----	------	------------	-----

### 4-Bolt Piloted Flange Units

FWSN	Eccentric	4-Blt. Piloted Flg	-	-	-	-	-	-	PFE	-	-	-	-
FWSN..U	Set Screw	4-Blt Piloted Flg	-	-	-	-	-	-	RFEY	-	-	-	-
FWSN..A	Eccentric	4-Blt Piloted Flg	-	-	-	-	-	-	RFE	-	-	-	-
FWSN..S	Set Screw	4-Blt Piloted Flg	-	-	-	-	-	-	PFEY	-	-	-	-
FWSN..K	Adapter	4-Blt Piloted Flg	-	-	-	-	-	-	-	-	-	-	-
FWSN..GSH	Adapter	4-Blt Piloted Flg	-	-	-	-	-	-	RFEA	-	-	-	-
RVFW	Eccentric	4-Blt Piloted Flg	KHME	-	-	-	-	-	PME	-	-	-	-
RVFW..U	Set Screw	4-Blt Piloted Flg	UCME	-	-	-	-	-	RMEY	-	-	-	-
RVFW..A	Eccentric	4-Blt Piloted Flg	UGME	-	-	-	-	-	RME	-	-	-	-
RVFW..S	Set Screw	4-Blt Piloted Flg	BME	-	-	-	-	-	PMEY	-	-	-	-
RVFW..K	Adapter	4-Blt Piloted Flg	-	-	-	-	-	-	-	-	-	-	-
RVFW..GSH	Adapter	4-Blt Piloted Flg	-	-	-	-	-	-	RMEA	-	-	-	-
UCFC	Set Screw	4-Blt Piloted Flg	UCFC	-	-	-	UCFC2	-	FC	UCFC2	UCFC	-	FYC
UKFC	Adapter	4-Blt Piloted Flg	-	-	-	-	-	-	-	-	-	-	-
CLFC	Clamp Collar	4-Blt Piloted Flg	-	-	-	-	-	-	-	-	-	-	-
FCF..U	Set Screw	4-Bolt Piloted Flg	UCFCF	-	-	RFC	UCFCF	-	-	-	-	-	-
UKFCF	Adapter	4-Bolt Piloted Flg	-	-	-	-	-	-	-	-	-	-	-

### 3-Bolt Flange Units

FB	Eccentric	3-Bolt Bracket	-	-	-	-	-	-	-	-	-	-	-
FB..U	Set Screw	3-Bolt Bracket	UCFB	VFB	FB-SC	-	-	FR	-	-	UCFB	FB	-
FB..A	Eccentric	3-Bolt Bracket	-	-	-	-	-	-	-	-	-	-	-
FB..S	Set Screw	3-Bolt Bracket	-	-	-	-	-	-	-	-	-	-	-
FB..K	Adapter	3-Bolt Bracket	-	-	-	-	-	-	-	-	-	-	-
FB..GSH	Adapter	3-Bolt Bracket	-	-	-	-	-	-	-	-	-	-	-
FB..CL	Clamp Collar	3-Bolt Bracket	UEFB	VFBB	FB-DL	-	-	-	-	-	-	FB..T	-
FK..U	Set Screw	3-Bolt Bracket	FK	-	-	-	FB	-	-	FH	FBF	-	FYK
BF	Eccentric	Stl 3-Bolt Flg	KHPF	SSF3E	F3B-SLX	RA	SAPF	-	RA	AELPF	FHPFR	SSF..E	PF..FM
BF..S	Set Screw	Stl 3-Bolt Flg	BPF	SSF3S	F3B-SL	-	SBPF	FB100S	RAY	ASPFL	FHSPFR	SSF	PF..RM
DBF	Eccentric	Stl 3-Blt Flg	KHPFT	SSF3S	-	RATR	-	-	RATR	-	FHPFTZ	TSSF..E	PFD..FM
DBF..S	Set Screw	Stl 3-Blt Flg	BPFT	SSF3TS	-	-	-	-	RATRY	-	FHSPFTZ	TSSF	PFD..RM
F3X (sq hole)	Eccentric	3-Blt Ductile Flg	KHTM	VF3E..M	LF-SXV	GVFD	-	-	-	-	FHF3X	LF..E	-
F3X..S	Set Screw	3-Blt Ductile Flg	BTM	VF3S..M	LF..SC	-	-	FB150	-	-	FHSF3X	LF	-
DFW	Eccentric	3-Blt Flange	-	-	-	-	-	-	PCFTR	-	-	-	-
DFW..S	Set screw	3-Blt Flange	-	-	-	-	-	-	PCFTRY	-	-	-	-

### 2-Bolt Flange Units

FX (sq hole)	Eccentric	2-Blt Flg	KHFX	VF2E..M	LFT-SXV	GVFTD	-	-	-	-	FHF3X	LFT..E	-
FX..S	Set Screw	2-Blt Flg	BFX	VF2S..M	LFT..SC	-	-	FB160	-	-	FHSFX	LFT	-
LF (rd hole)	Eccentric	2-Blt Small Flg	KHLFL	-	-	-	ALF	-	-	-	FHLF	-	-
LF..S	Set Screw	2-Blt Small Flg	BLFL	-	-	-	BLF	-	-	-	FHSLF	-	-
UFL	Eccentric	2-Blt Zinc Alloy Flg	UFL & KFL	-	-	-	-	-	-	-	-	-	-
KFL	Set Screw	2-Blt Zinc Alloy Flg	KFL	-	-	-	-	-	-	-	-	-	-
OWFK	Eccentric	2-Blt Small Flg	KHLCTE	-	-	FLCT	-	-	GLCTE	AELFD	-	-	-
OWFK..S	Set Screw	2-Blt Small Flg	BLCTE	-	-	-	-	-	GLCTEY	ASFD	-	-	-
OWFS	Eccentric	2-Blt Narrow Flg	-	-	-	-	-	-	-	-	FHFTJ	-	-
OWFS..S	Set Screw	2-Blt Narrow Flg	-	-	-	SCJT	-	-	-	-	FHSFTJ	-	-
OWFZ	Eccentric	2-Blt Piloted Flg	-	-	-	-	-	-	PCJTZ	-	-	-	-
OWFZ..U	Set Screw	2-Blt Piloted Flg	-	-	-	-	-	-	RCJTZY	-	-	-	-
OWFZ..A	Eccentric	2-Blt Piloted Flg	UGCJTZ	-	-	-	-	-	RCJTZ	-	-	-	-
OWFZ..S	Set Screw	2-Blt Piloted Flg	-	-	-	-	-	-	PCJTZY	-	-	-	-
OWFZ..K	Adapter	2-Blt Piloted Flg	-	-	-	-	-	-	-	-	-	-	-
OWFZ..GSH	Adapter	2-Blt Piloted Flg	-	-	-	-	-	-	RCJTZA	-	-	-	-
WSFL	Eccentric	Swivel Flg	-	-	-	-	-	-	PSFT	-	-	-	-
WSFL..S	Set Screw	Swivel Flg	-	-	-	-	-	-	PSFTY	-	-	-	-

# Mounted Ball Bearing Interchange



## Normal Duty - 200 Series

PTI	Mounting	Style	AMI	Browning	Dodge	Fafnir	FYH	Hub City	INA	NTN	PEER	Sealmaster	SKF
-----	----------	-------	-----	----------	-------	--------	-----	----------	-----	-----	------	------------	-----

### Take-Up Units

UCT	Set Screw	Take-Up Unit	UCT	-	-	-	T	T	-	TU	UCT	-	-	TUJ
UKT	Adapter	Take-Up Unit	-	-	-	-	-	-	-	-	-	-	-	-
HCT	Eccentric	Take-Up Unit	-	-	-	-	-	-	-	-	-	-	-	-
CLT	Clamp Collar	Take-Up Unit	UET	-	-	-	-	-	-	-	-	-	-	-
WS	Eccentric	Wide Slot Take-up	-	-	-	-	-	-	WSTU200	-	-	-	-	TU..FM
WS..U	Set Screw	Wide Slot Take-up	UCST	VTWS	WSTU-SC	-	-	-	WSTU250W	-	-	UCT	ST	TU..TF
WS..A	Eccentric	Wide Slot Take-up	-	-	-	-	-	-	WSTU220W	-	-	-	-	TU..WF
WS..S	Set Screw	Wide Slot Take-up	-	-	-	-	-	-	WSTU250	-	-	-	-	TU..RM
WS..K	Adapter	Wide Slot Take-up	-	-	-	-	-	-	-	-	-	-	-	-
WS..GSH	Adapter	Wide Slot Take-up	-	-	-	-	-	-	-	-	-	-	-	TU..KG
WS..CL	Clamp Collar	Wide Slot Take-up	UEST	-	WSTU..DL	-	-	-	-	-	-	-	ST..T	-

### Hanger Units

SPK	Eccentric	Take-Up Hanger	-	-	-	-	-	-	-	-	-	-	-	-
HA	Set Screw	Hanger Unit	UCECH	-	-	-	-	UCHA	-	-	-	-	SEHB	-

### Cylindrical Units

HLW	Eccentric	Cylindrical Unit	-	-	-	-	-	-	-	-	-	-	-	-
HLW..U	Set Screw	Cylindrical Unit	UCC	-	-	-	-	UCC	-	-	UCC	UCC	-	-
HLW..A	Eccentric	Cylindrical Unit	-	-	-	-	-	-	-	-	-	-	-	-

### All Stainless Steel Units - Set Screw inserts

SUCSP	Set Screw	SS Pill Blk	MUCP	SPS-S2	-	-	-	UCSP..S6H1	-	-	-	-	-	-
SUCSPA	Set Screw	Tap Base PB	MUCTB	STBS-S2	-	-	-	UCPAN..S6H1	-	-	-	-	-	-
SUCSFL	Set Screw	SS 2-Bit Flg	MUCFL	SF2S-S2	-	-	-	-	-	-	-	-	-	-
SUCSF	Set Screw	SS 4-Bit Flg	MUCF	SF4S-S2	-	-	-	UCSF..S6H1	-	-	-	-	-	-
SUCSFB	Set Screw	SS 3-Bolt Brkt	MUCFB	-	-	-	-	UCSFB..S6H1	-	-	-	-	-	-
SUCST	Set Screw	SS Take-Up	MUCT	-	-	-	-	UCST..S6H1	-	-	-	-	-	-

### All Stainless Steel Units - Eccentric Locking inserts

SHCSP	Eccentric	SS Pill Blk	-	-	-	-	-	-	-	-	-	-	-	-
SHCSPA	Eccentric	Tap Base PB	-	-	-	-	-	-	-	-	-	-	-	-
SHCSFL	Eccentric	SS 2-Bit Flg	-	-	-	-	-	-	-	-	-	-	-	-
SHCSF	Eccentric	SS 4-Bit Flg	-	-	-	-	-	-	-	-	-	-	-	-
SHCSFB	Eccentric	SS 3-Bolt Brkt	-	-	-	-	-	-	-	-	-	-	-	-
SHCST	Eccentric	SS Take-Up	-	-	-	-	-	-	-	-	-	-	-	-

### Thermoplastic Housings / Stainless Steel Set Screw Insert

SUCTP	Set Screw	Pillow Block	MUCPPL	CPS-S2	-	-	-	UCP..S6PL	-	-	F-UCPR	-	-	-
SUCTTB	Set Screw	Tap Base PB	MUCTBL	CTBS-S2	-	-	-	-	-	-	-	-	-	-
SUCTFL	Set Screw	2-Bolt Flg	MUCNFL	CF2S-S2	-	-	-	-	-	-	-	-	-	-
SUCTF	Set Screw	4-Bit Flg	MUCFPL	-	-	-	-	UCFL..S6PL	-	-	F-UCFLR	-	-	-
SUCTFB	Set Screw	3-Bit Bracket	MUCFBL	-	-	-	-	UCFB..S6PL	-	-	-	-	-	-
SUCTT	Set Screw	Take-Up Unit	MUCTPL	-	-	-	-	UCT..S6PL	-	-	-	-	-	-

### Thermoplastic Housings / Stainless Steel Eccentric Locking Insert

SHCTP	Eccentric	Pillow Block	-	-	-	-	-	-	-	-	-	-	-	-
SHCTTB	Eccentric	Tap Base PB	-	-	-	-	-	-	-	-	-	-	-	-
SHCTFL	Eccentric	2-Bolt Flg	-	-	-	-	-	-	-	-	-	-	-	-
SHCTF	Eccentric	4-Bit Flg	-	-	-	-	-	-	-	-	-	-	-	-
SHCTFB	Eccentric	3-Bit Bracket	-	-	-	-	-	-	-	-	-	-	-	-
SHCTT	Eccentric	Take-Up Unit	-	-	-	-	-	-	-	-	-	-	-	-

## Medium Duty & Heavy Duty - 300 Series

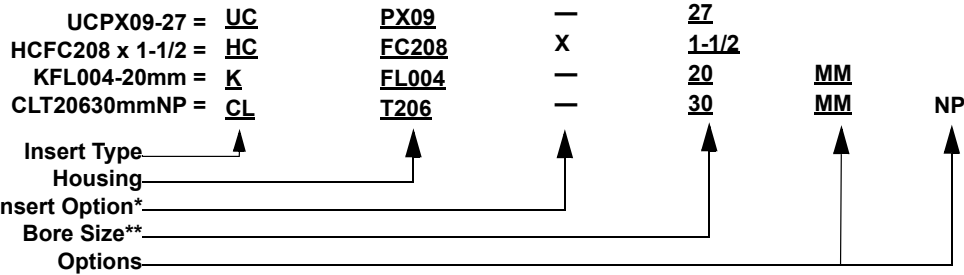
UCPX	Set Screw	Pillow Block	UCPX	VPS-3	P2B-SCM	YASM	UCPX	PB350	-	UCPX	UCPX	MP	SYM..TF
UCPXL	Set Screw	Pillow Block	-	-	P2B-SCM	YASM	-	PB350	-	-	-	-	SYM..TF
UCFLX	Set Screw	2-Bolt Flg	UCFLX	VF2S-3	F2B-SCM	YCJTM	UCFLX	-	-	UCFLX	UCFTX	MSFT	FYTM..TF
UCFX	Set Screw	4-Bolt Flg	UCFX	VF4S-3	F4B-SCM	YCJM	UCFX	FB350	-	UCFX	UCFX	MSF	FYM..TF
UCFCX	Set Screw	4-Bit Piloted Flg	UCFCSX	VFCS-3	FC-SCM	-	UCFCX..E	FC350	-	-	-	MFC	-
WSX	Set Screw	Wide Slot Take-Up	UCTX	VTWS-3	WSTU-SCM	YTUM	UCTX..E	-	-	UCTX	-	MST	TUM..TF
UCP300	Set Screw	Pillow Block	UCP300	-	-	-	UCP300	-	-	UCP300	-	-	-
UCF300	Set Screw	4-Bolt Flg	UCF300	-	-	-	UCF300	-	-	UCF300	-	-	-

# Mounted Unit Nomenclature



## Format #1

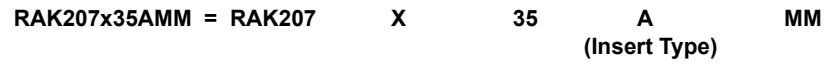
Part No. Example



Insert Type	Housing Type / Format #2				Options		
	Cast Iron		Nickel Plated	Stainless	PBT	Suffix	Meaning
UC CUC SUC	P	T	P...NP	SP	TP	MM	Millimeter (Metric Bore)
SB SSB	PX	F	F...NP	SPA	TTB	NP	Nickel Plated
HC SHC	PXL	FC		SF	TF	HT	High Temp
SA CU	PA	FCX		SFL	TFL	LT	Low Temp
UCX	PAM	FX		ST	TT	BLK	Black Thermo
CL CLX	FT	P00		SWS	TTN	CR	Corrosion Resistant
UK GSH	FL	FL00		SFB	TFB	BK	Black Seal
U(00) K(00)	FLX		SFCS	SHA		CL	Closed Cover
						OP	Open Cover

## Format #2

Part No. Example



Insert Type	Housing Type / Format #2				Suffix	Options
	SW	FJT	FWS	BF		
UC = U	SW	FJT	FWS	BF	MM	Millimeter (Metric Bore)
SB = S	VAK	OBF	SLF	HA	NP	Nickel Plated
HC = A	RAK	OWF	FWSN	FB	HT	High Temp
SA = Default (no mark)	RAKH	OWFS	FCF	FK	LT	Low Temp
UCX - use FORMAT # 1	RAKHL	OWFK	RVFW		NL	No Lube Filling
UK - use FORMAT # 1	BS	OWFZ	WSFL		L3	Triple Lip Seal
GSH - use FORMAT # 1	BSR	LF	F3X		H1	Food Grade
CL - use FORMAT # 1	TB	FX2	DFW		XL	Extra Grease
	SWG	WS	DBF			

### Inserts for above Housings:

#### Set Screw Locking

- UC200 Series = Normal Duty Set Screw, Wide Inner Ring, Lip Seal, Steel Flinger, Standard Lube
- UCX00 Series = Medium Duty, Set Screw, Wide Inner Ring, Lip Seal, Steel Flinger, Standard Lube
- UC300 Series = Heavy Duty, Wide Inner Ring, Lip Seal, Steel Flinger, Standard Lube
- SUC200 Series = Normal Duty, Stainless Steel, Wide Inner Ring, Lip Seal, Stainless Steel Flinger, H1 Lube
- CUC Series = Hard Chrome Plated, TDC - Thin Dense Chrome Normal Duty, Wide Inner Ring, Lip Seal, Stainless Steel Flinger, H1 Lube
- SB200 Series = Narrow Inner Ring, Set Screw, Metal Reinforced Lip Seal, Standard Lube
- SSB200 Series = Narrow Inner Ring, Stainless Steel, Set Screw, Metal Reinforced Lip Seal, H1 Lube

#### Eccentric Locking Collar

- HC200 Series = Normal Duty, Eccentric Locking Collar, Wide Inner Ring, Lip Seal, Steel Flinger, Standard Lube
- SHC200 Series = Normal Duty, Stainless Steel, Eccentric Locking Collar, Wide Inner Rig, Lip Seal, Steel Slinger, H1 Lube
- SA200 Series = Normal Duty, Eccentric Locking Collar, Narrow Inner Ring, Metal Reinforced Lip Seal, Standard Lube

#### Concentric Locking Collar

- CL200 Series = Normal Duty, Concentric Clamp Collar, Wide Inner Ring, Lip Seal, Steel Flinger, Standard Lube

#### Adapter Mount

- UK200 Series = Normal Duty, Tapered Adapter, Lip Seal, Steel Flinger, Standard Lube
- UK300 Series = Heavy Duty, Tapered Adapter, Lip Seal, Steel Flinger, Standard Lube
- GSH Series = Normal Duty, Tapered Adapter, Steel Reinforced Lip Seal, Standard Lube

#### Notes:

- Insert Option: The "-" Denotes a PTI Series Insert Bearing. The "x" Denotes a Euro Series Bearing
- Bore size is shown in 16th's of an inch or in millimeters
- Format #1 - Insert Type and Housing is Reversed on UK and GSH Units
- Format #2 - The "SA" Insert is used if no Insert Type is called out



# Pillow Block

## UCP 200 Euro Series

Normal Duty Bearing

Cast Iron Housing

Set Screw Lock

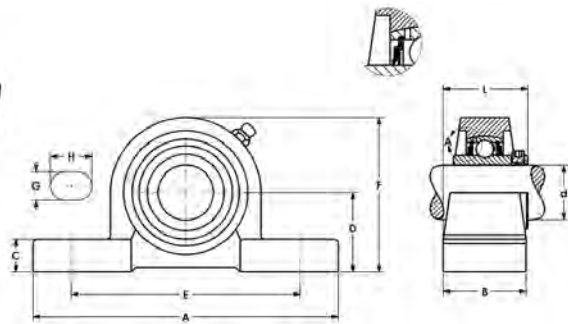
High Center Height

Metric and Inch Bores

Solid Base Optional



Models Available



Part No.	Shaft Size d		Dimensions (mm) (in)									Bearing No.	Housing No.	Wt. kg
	mm	in	A	B	C	D	E	F	G	H	L			
UCP204 x 20MM UCP204 x 3/4	20	3/4	127 5.00	38 1.50	14 0.55	33.3 1.312	95 3.75	65 2.56	13 0.51	19 0.75	37.3 1.47	UC204 x 20MM UC204 x 3/4	P204 P204SB*	0.6
UCP205 x 25MM UCP205 x 7/8 UCP205 x 15/16 UCP205 x 1	25	7/8 15/16 1	140 5.51	38 1.50	15 0.59	36.5 1.437	105 4.13	71 2.80	13 0.51	19 0.75	38.8 1.53	UC205 x 25MM UC205 x 7/8 UC205 x 15/16 UC205 x 1	P205 P205SB*	0.8
UCP206 x 30MM UCP206 x 1-1/8 UCP206 x 1-3/16 UCP206 x 1-1/4	30	1-1/8 1-3/16 1-1/4	165 6.50	48 1.89	17 0.67	42.9 1.687	121 4.76	83 3.27	17 0.67	21 0.83	46.2 1.82	UC206 x 30MM UC206 x 1-1/8 UC206 x 1-3/16 UC206 x 1-1/4	P206 P206SB*	1.3
UCP207 x 35MM UCP207 x 1-1/4 UCP207 x 1-3/8 UCP207 x 1-7/16	35	1-1/4 1-3/8 1-7/16	167 6.57	48 1.89	18 0.71	47.6 1.875	127 5.00	93 3.66	17 0.67	21 0.83	49.4 1.94	UC207 x 35MM UC207 x 1-1/4 UC207 x 1-3/8 UC207 x 1-7/16	P207 P207SB*	1.7
UCP208 x 40MM UCP208 x 1-1/2	40	1-1/2	184 7.24	54 2.13	18 0.71	49.2 1.937	137 5.39	98 3.86	17 0.67	21 0.83	57.2 2.25	UC208 x 40MM UC208 x 1-1/2	P208 P208SB*	2.2
UCP209 x 45MM UCP209 x 1-5/8 UCP209 x 1-11/16 UCP209 x 1-3/4	45	1-5/8 1-11/16 1-3/4	190 7.48	54 2.13	20 0.79	54 2.125	146 5.75	106 4.17	17 0.67	21 0.83	57.2 2.25	UC209 x 45MM UC209 x 1-5/8 UC209 x 1-11/16 UC209 x 1-3/4	P209 P209SB*	2.4
UCP210 x 50MM UCP210 x 1-7/8 UCP210 x 1-15/16 UCP210 x 2	50	1-7/8 1-15/16 2	206 8.11	60 2.37	21 0.83	57.2 2.250	159 6.26	114 4.49	20 0.79	25 0.98	62.6 2.46	UC210 x 50MM UC210 x 1-7/8 UC210 x 1-15/16 UC210 x 2	P210 P210SB*	3.0
UCP211 x 55MM UCP211 x 2 UCP211 x 2-1/8 UCP211 x 2-3/16	55	2 2-1/8 2-3/16	219 8.62	60 2.37	23 0.91	63.5 2.500	171 6.73	126 4.96	20 0.79	25 0.98	63.4 2.50	UC211 x 55MM UC211 x 2 UC211 x 2-1/8 UC211 x 2-3/16	P211 P211SB*	3.9
UCP212 x 60MM UCP212 x 2-1/4 UCP212 x 2-3/8 UCP212 x 2-7/16	60	2-1/4 2-3/8 2-7/16	241 9.49	70 2.76	25 0.98	69.8 2.750	184 7.24	138 5.43	20 0.79	25 0.98	74.7 2.49	UC212 x 60MM UC212 x 2-1/4 UC212 x 2-3/8 UC212 x 2-7/16	P212 P212SB*	5.5
UCP213 x 65MM UCP213 x 2-1/2	65	2-1/2	264 10.39	70 2.76	27 1.06	76.2 3.000	203 7.99	151 5.94	25 0.98	29 1.14	74.7 2.94	UC213 x 65MM UC213 x 2-1/2	P213	5.7
UCP214 x 70MM UCP214 x 2-11/16 UCP214 x 2-3/4	70	2-11/16 2-3/4	266 10.47	72 2.84	27 1.06	79.4 3.125	210 8.27	157 6.18	25 0.98	31 1.22	80.4 3.17	UC214 x 70MM UC214 x 2-11/16 UC214 x 2-3/4	P214 P214SB*	7.1
UCP215 x 75MM UCP215 x 2-7/8 UCP215 x 2-15/16 UCP215 x 3	75	2-7/8 2-15/16 3	275 10.83	74 2.91	28 1.10	82.6 3.250	217 8.54	163 6.42	25 0.98	31 1.22	81.5 3.21	UC215 x 75MM UC215 x 2-7/8 UC215 x 2-15/16 UC215 x 3	P215 P215SB*	7.9
UCP216 x 80MM UCP216 x 3-1/8	80	3-1/8	292 11.50	78 3.07	30 1.18	88.9 3.500	232 9.13	175 6.89	25 0.98	31 1.22	88.3 3.46	UC216 x 80MM UC216 x 3-1/8	P216	10.0
UCP217 x 85MM UCP217 x 3-1/4	85	3-1/4	310 12.20	83 3.27	32 1.26	95.2 3.750	247 9.72	187 7.36	25 0.98	31 1.22	93.1 3.67	UC217 x 85MM UC217 x 3-1/4	P217	12.2
UCP218 x 90MM UCP218 x 3-1/2	90	3-1/2	327 12.87	88 3.46	33 1.30	101.6 4.000	262 10.31	200 7.87	27 1.06	33 1.30	100.3 3.95	UC218 x 90MM UC218 x 3-1/2	P218	14.7

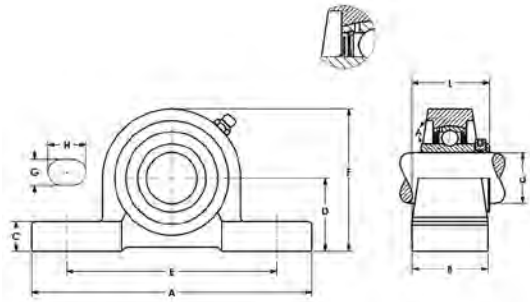
Note: Eccentric and Adapter Lock Bearings also available from stock. \* Solid Base also in Stock. Specify, i.e. UCP210 x 2SB

# Pillow Block

**UCP 200 PTI Series**  
**Normal Duty Bearing**  
**Cast Iron Housing**  
**Set Screw Lock**  
**High Center Height**  
**Metric and Inch Bores**  
**Solid Base Optional**



Models Available



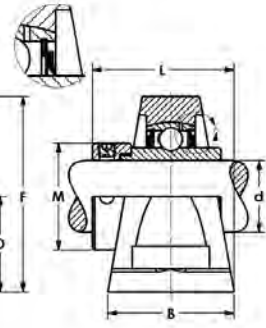
Part No.	Shaft Size d		Dimensions (mm) (in)									Bearing No.	Housing No.	Wt. kg
	mm	in	A	B	C	D	E	F	G	H	L			
UCP201-12MM UCP202-15MM UCP203-17MM UCP201-8 UCP202-10 UCP203-11	12 15 17	1/2 5/8 11/16	127 5.00	36 1.42	13 0.51	30.2 1.187	96 3.78	60 2.36	13 0.51	19 0.75	36.3 1.44	UC201-12MM UC202-15MM UC203-17MM UC201-8 UC202-10 UC203-11	P203	0.6
UCP204-20MM UCP204-12	20	3/4	127 5.00	38 1.50	14 0.55	33.3 1.312	95 3.75	65 2.56	13 0.51	19 0.75	37.3 1.47	UC204-20MM UC204-12	P204 P204SB*	0.6
UCP205-25MM UCP205-14 UCP205-15 UCP205-16	25	7/8 15/16 1	140 5.51	38 1.50	15 0.59	36.5 1.437	105 4.13	71 2.80	13 0.51	19 0.75	38.8 1.53	UC205-25MM UC205-14 UC205-15 UC205-16	P205 P205SB*	0.8
UCP206-30MM UCP206-18 UCP206-19 UCP206-20	30	1-1/8 1-3/16 1-1/4	165 6.50	48 1.89	17 0.67	42.9 1.687	121 4.76	83 3.27	17 0.67	21 0.83	46.2 1.82	UC206-30MM UC206-18 UC206-19 UC206-20	P206 P206SB*	1.3
UCP207-35MM UCP207-20 UCP207-22 UCP207-23	35	1-1/4 1-3/8 1-7/16	167 6.57	48 1.89	18 0.71	47.6 1.875	127 5.00	93 3.66	17 0.67	21 0.83	49.4 1.94	UC207-35MM UC207-20 UC207-22 UC207-23	P207 P207SB*	1.7
UCP208-40MM UCP208-24	40	1-1/2	184 7.24	54 2.13	18 0.71	49.2 1.937	137 5.39	98 3.86	17 0.67	21 0.83	57.2 2.25	UC208-40MM UC208-24	P208 P208SB*	2.2
UCP209-45MM UCP209-26 UCP209-27 UCP209-28	45	1-5/8 1-11/16 1-3/4	190 7.48	54 2.13	20 0.79	54 2.125	146 5.75	106 4.17	17 0.67	21 0.83	57.2 2.25	UC209-45MM UC209-26 UC209-27 UC209-28	P209 P209SB*	2.4
UCP210-50MM UCP210-30 UCP210-31 UCP210-32	50	1-7/8 1-15/16 2	206 8.11	60 2.37	21 0.83	57.2 2.250	159 6.26	114 4.49	20 0.79	25 0.98	62.6 2.46	UC210-50MM UC210-30 UC210-31 UC210-32	P210 P210SB*	3.0
UCP211-55MM UCP211-32 UCP211-34 UCP211-35	55	2 2-1/8 2-3/16	219 8.62	60 2.37	23 0.91	63.5 2.500	171 6.73	126 4.96	20 0.79	25 0.98	63.4 2.50	UC211-55MM UC211-32 UC211-34 UC211-35	P211 P211SB*	3.9
UCP212-60MM UCP212-36 UCP212-38 UCP212-39	60	2-1/4 2-3/8 2-7/16	241 9.49	70 2.76	25 0.98	69.8 2.750	184 7.24	138 5.43	20 0.79	25 0.98	74.7 2.49	UC212-60MM UC212-36 UC212-38 UC212-39	P212 P212SB*	5.5
UCP213-65MM UCP213-40	65	2-1/2	264 10.39	70 2.76	27 1.06	76.2 3.000	203 7.99	151 5.94	25 0.98	29 1.14	74.7 2.94	UC213-65MM UC213-40	P213	5.7
UCP214-70MM UCP214-43 UCP214-44	70	2-11/16 2-3/4	266 10.47	72 2.84	27 1.06	79.4 3.125	210 8.27	157 6.18	25 0.98	31 1.22	80.4 3.17	UC214-70MM UC214-43 UC214-44	P214 P214SB*	7.1
UCP215-75MM UCP215-46 UCP215-47 UCP215-48	75	2-7/8 2-15/16 3	275 10.83	74 2.91	28 1.10	82.6 3.250	217 8.54	163 6.42	25 0.98	31 1.22	81.5 3.21	UC215-75MM UC215-46 UC215-47 UC215-48	P215 P215SB*	7.9
UCP216-80MM UCP216-50	80	3-1/8	292 11.50	78 3.07	30 1.18	88.9 3.500	232 9.13	175 6.89	25 0.98	31 1.22	88.3 3.46	UC216-80MM UC216-50	P216	10.0
UCP217-85MM UCP217-52 UCP217-55	85	3-1/4 3-7/16	310 12.20	83 3.27	32 1.26	95.2 3.750	247 9.72	187 7.36	25 0.98	31 1.22	93.1 3.67	UC217-85MM UC217-52 UC217-55	P217	12.2
UCP218-90MM UCP218-55 UCP218-56	90	3-7/16 3-1/2	327 12.87	88 3.46	33 1.30	101.6 4.000	262 10.31	200 7.87	27 1.06	33 1.30	100.3 3.95	UC218-90MM UC218-55 UC218-56	P218	14.7

Note: Eccentric and Adapter Lock Bearings also available from stock. \* Solid Base also in stock. Specify, i.e. UCP210-32SB

# Pillow Block

## RAK 200 Euro Series

Normal Duty Bearing  
Cast Iron Housing  
Eccentric Collar Lock  
Metric and Inch Bores



Models Available

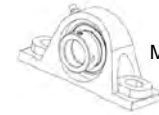
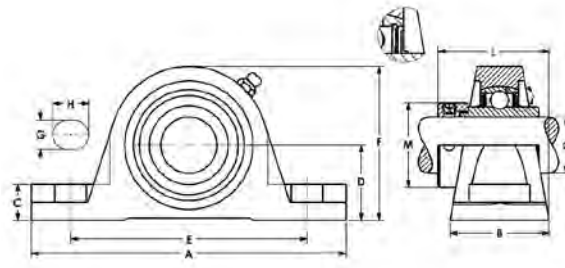
Part No.	Shaft Size d		Dimensions (mm) (in)										Bearing No.	Housing No.	Wt. kg
	mm	in	A	B	C	D	E	F	G	H	L	M			
RAK204 x 20AMM RAK204 x 3/4A	20	3/4	133 5.25	41 1.61	14.3 0.56	31.75 1.250	98 3.86	63.5 2.5	13 0.51	16 0.63	47.1 1.85	33.3 1.31	HC204 x 20MM HC204 x 3/4	RAK20	0.6
RAK205 x 25AMM RAK205 x 7/8A RAK205 x 15/16A RAK205 x 1A	25	7/8 15/16 1	140 5.51	44 1.73	16 0.63	33.34 1.312	105 4.13	68.3 2.69	13 0.51	16 0.63	48.9 1.93	38.1 1.50	HC205 x 25MM HC205 x 7/8 HC205 x 15/16 HC205 x 1	RAK25	0.8
RAK206 x 30AMM RAK206 x 1-1/8A RAK206 x 1-3/16A RAK206 x 1-1/4A	30	1-1/8 1-3/16 1-1/4	160 6.30	48 1.89	17 0.67	39.69 1.562	121 4.76	81.0 3.19	11.7 0.46	19 0.75	54.1 2.13	44.45 1.75	HC206 x 30MM HC206 x 1-1/8 HC206 x 1-3/16 HC206 x 1-1/4	RAK30	1.3
RAK207 x 35AMM RAK207 x 1-1/4A RAK207 x 1-3/8A RAK207 x 1-7/16A	35	1-1/4 1-3/8 1-7/16	167 6.57	48 1.89	19 0.75	46.04 1.812	127 5.0	92.1 3.63	15 0.59	19 0.75	56.3 2.22	55.58 2.19	HC207 x 35MM HC207 x 1-1/4 HC207 x 1-3/8 HC207 x 1-7/16	RAK35	1.7
RAK208 x 40AMM RAK208 x 1-1/2A	40	1-1/2	181 7.13	54 2.13	19 0.75	49.21 1.937	140 5.51	100.0 3.94	15 0.59	19 0.75	61.9 2.44	60.3 2.37	HC208 x 40MM HC208 x 1-1/2	RAK40	2.2
RAK209 x 45AMM RAK209 x 1-5/8A RAK209 x 1-11/16A RAK209 x 1-3/4A	45	1-5/8 1-11/16 1-3/4	190 7.48	54 2.13	21 0.83	52.39 2.062	146 5.75	104.8 4.13	15 0.59	19 0.75	61.9 2.44	63.5 2.50	HC209 x 45MM HC209 x 1-5/8 HC209 x 1-11/16 HC209 x 1-3/4	RAK45	2.4
RAK210 x 50AMM RAK210 x 1-7/8A RAK210 x 1-15/16A RAK210 x 2A	50	1-7/8 1-15/16 2	203 7.99	57 2.24	22 0.87	55.56 2.187	159 6.25	112.7 4.44	15 0.59	19 0.75	66.6 2.62	69.85 2.75	HC210 x 50MM HC210 x 1-7/8 HC210 x 1-15/16 HC210 x 2	RAK50	3.0
RAK211 x 55AMM RAK211 x 2A RAK211 x 2-1/8A RAK211 x 2-3/16A	55	2 2-1/8 2-3/16	232 9.13	60 2.36	25 0.98	61.91 2.437	181 7.13	125.4 4.94	20 0.79	24 0.94	73.6 2.90	76.2 3.0	HC211 x 55MM HC211 x 2 HC211 x 2-1/8 HC211 x 2-3/16	RAK55	3.9
RAK212 x 60AMM RAK212 x 2-1/4A RAK212 x 2-3/8A RAK212 x 2-7/16A	60	2-1/4 2-3/8 2-7/16	241 9.49	64 2.52	29 1.14	68.26 2.687	191 7.52	138.1 5.44	20 0.79	24 0.94	78.8 3.10	84.12 3.31	HC212 x 60MM HC212 x 2-1/4 HC212 x 2-3/8 HC212 x 2-7/16	RAK60	5.5
RAK213 x 65AMM RAK213 x 2-1/2A	65	2-1/2	248 9.76	70 2.76	27 1.06	68.3 2.69	194 7.64	141 5.55	20 0.79	29 1.14	86.6 3.41	96 3.78	HC213 x 65MM HC213 x 2-1/2	RAK213	6.9
RAK214 x 70AMM RAK214 x 2-11/16A RAK214 x 2-3/4A	70	2-11/16 2-3/4	267 10.51	73 2.87	33.3 1.31	76.2 3.00	203.2 8.00	154 6.06	20.6 0.81	35 1.38	87.6 3.45	96 3.78	HC214 x 70MM HC214 x 2-11/16 HC214 x 2-3/4	RAK214	7.5
RAK215 x 75AMM RAK215 x 2-15/16A RAK215 x 3A	75	2-15/16 3	304 11.97	74 2.91	32 1.26	84.1 3.31	241 9.49	165 6.50	22 0.87	32 1.26	91.8 3.61	100 3.94	HC215 x 75MM HC215 x 2-15/16 HC215 x 3	RAK215	8.3

Note: Set Screw and Adapter Lock Bearings also available from stock.

# Pillow Block

## RAK 200 PTI Series

Normal Duty Bearing  
Cast Iron Housing  
Eccentric Collar Lock  
Metric and Inch Bores



Models Available

Part No.	Shaft Size d		Dimensions (mm) (in)										Bearing No.	Housing No.	Wt. kg
	mm	in	A	B	C	D	E	F	G	H	L	M			
RAK201-12AMM RAK202-15AMM RAK203-17AMM RAK201-8A RAK202-10A RAK203-11A	12 15 17  1/2 5/8 11-16		120 4.72	35 1.38	12.7 0.50	27 1.062	89 3.50	54 2.13	13 0.51	16 0.63	40.9 1.61	28.6 1.13	HC201-12MM HC202-15MM HC203-17MM HC201-8 HC202-10 HC203-11	RAK203	0.6
RAK204-20AMM RAK204-12A	20 3/4		133 5.25	41 1.61	14.3 0.56	31.75 1.250	98 3.86	63.5 2.5	13 0.51	16 0.63	47.1 1.85	33.3 1.31	HC204-20MM HC204-12	RAK20	0.6
RAK205-25AMM RAK205-14A RAK205-15A RAK205-16A	25 7/8 15/16 1		140 5.51	44 1.73	16 0.63	33.34 1.312	105 4.13	68.3 2.69	11.7 0.46	19 0.75	48.9 1.93	38.1 1.50	HC205-25MM HC205-14 HC205-15 HC205-16	RAK25	0.8
RAK206-30AMM RAK206-18A RAK206-19A RAK206-20A	30 1-1/8 1-3/16 1-1/4		160 6.30	48 1.89	17 0.67	39.69 1.562	121 4.76	81.0 3.19	13 0.51	19 0.75	54.1 2.13	44.45 1.75	HC206-30MM HC206-18 HC206-19 HC206-20	RAK30	1.3
RAK207-35AMM RAK207-20A RAK207-22A RAK207-23A	35 1-1/4 1-3/8 1-7/16		167 6.57	48 1.89	19 0.75	46.04 1.812	127 5.0	92.1 3.63	15 0.59	19 0.75	56.3 2.22	55.58 2.19	HC207-35MM HC207-20 HC207-22 HC207-23	RAK35	1.7
RAK208-40AMM RAK208-24A	40 1-1/2		181 7.13	54 2.13	19 0.75	49.21 1.937	140 5.51	100.0 3.94	15 0.59	19 0.75	61.9 2.44	60.3 2.37	HC208-40MM HC208-24	RAK40	2.2
RAK209-45AMM RAK209-26A RAK209-27A RAK209-28A	45 1-5/8 1-11/16 1-3/4		190 7.48	54 2.13	21 0.83	52.39 2.062	146 5.75	104.8 4.13	15 0.59	19 0.75	61.9 2.44	63.5 2.50	HC209-45MM HC209-26 HC209-27 HC209-28	RAK45	2.4
RAK210-50AMM RAK210-30A RAK210-31A RAK210-32A	50 1-7/8 1-15/16 2		203 7.99	57 2.24	22 0.87	55.56 2.187	159 6.25	112.7 4.44	15 0.59	19 0.75	66.6 2.62	69.85 2.75	HC210-50MM HC210-30 HC210-31 HC210-32	RAK50	3.0
RAK211-55AMM RAK211-32A RAK211-34A RAK211-35A	55 2 2-1/8 2-3/16		232 9.13	60 2.36	25 0.98	61.91 2.437	181 7.13	125.4 4.94	20 0.79	24 0.94	73.6 2.90	76.2 3.0	HC211-55MM HC211-32 HC211-34 HC211-35	RAK55	3.9
RAK212-60AMM RAK212-36A RAK212-38A RAK212-39A	60 2-1/4 2-3/8 2-7/16		241 9.49	64 2.52	29 1.14	68.26 2.687	191 7.52	138.1 5.44	20 0.79	24 0.94	78.8 3.10	84.12 3.31	HC212-60MM HC212-36 HC212-38 HC212-39	RAK60	5.5
RAK213-65AMM RAK213-40A	65 2-1/2		248 9.76	70 2.76	27 1.06	68.3 2.69	194 7.64	141 5.55	20 0.79	29 1.14	86.6 3.41	86 3.39	HC213-65MM HC213-40	RAK213	6.9
RAK214-70AMM RAK214-43A RAK214-44A	70 2-11/16 2-3/4		267 10.51	73 2.87	33.3 1.31	76.2 3.00	203.2 8.00	154 6.06	20.6 0.81	35 1.38	87.6 3.45	90 3.54	HC214-70MM HC214-43 HC214-44	RAK214	7.5
RAK215-75AMM RAK215-47A RAK215-48A	75 2-15/16 3		304 11.97	74 2.91	32 1.26	84.1 3.31	241 9.49	165 6.50	22 0.87	32 1.26	91.8 3.61	102 4.02	HC215-75MM HC215-47 HC215-48	RAK215	8.3

Note: Set Screw and Adapter Lock Bearings also available from stock.

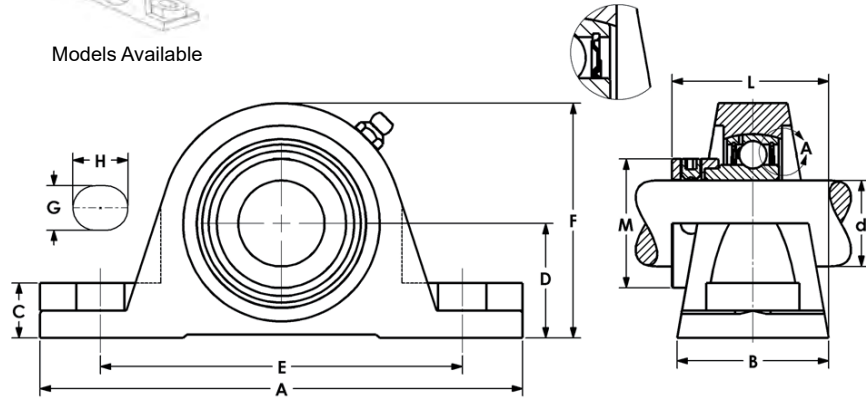
# Pillow Block

## VAK 200 Euro Series

Normal Duty Bearing  
Cast Iron Housing  
Eccentric Collar Lock  
Metric and Inch Bores



Models Available



Part No.	Shaft Size d		Dimensions (mm) (in)										Bearing No.	Housing No.	Wt. kg
	mm	in	A	B	C	D	E	F	G	H	L	M			
VAK201 x 12MM	12		120	35	12.7	27	89	54	13	16	40.1	28.6	SA201 x 12MM SA202 x 15MM SA203 x 17MM SA201 x 1/2 SA202 x 5/8 SA203 x 11/16	RAK203	0.5
VAK202 x 15MM	15														
VAK203 x 17MM	17														
VAK201 x 1/2		1/2	4.72	1.38	0.5	1.062	3.5	2.13	0.51	0.63	1.58	1.13			
VAK202 x 5/8		5/8													
VAK203 x 11/16		11/16													
VAK204 x 20MM	20		133	41	14.3	31.75	98	63.5	13	16	44.5	33.3	SA204 x 20MM SA204 x 3/4	RAK20	0.6
VAK204 x 3/4		3/4	5.25	1.61	0.56	1.250	3.86	2.50	0.51	0.63	1.75	1.31			
VAK205 x 25MM	25		140	44	16	33.34	105	68.3	11.7	16	45.5	38.1	SA205 x 25MM SA205 x 7/8 SA205 x 15/16 SA205 x 1	RAK25	0.8
VAK205 x 7/8		7/8	5.50	1.73	0.63	1.312	4.13	2.69	0.46	0.63	1.79	1.50			
VAK205 x 15/16		15/16													
VAK205 x 1		1													
VAK206 x 30MM	30		160	48	17	39.69	121	81.0	13	19	51.7	44.45	SA206 x 30MM SA206 x 1-1/8 SA206 x 1-3/16 SA206 x 1-1/4	RAK30	1.2
VAK206 x 1-1/8		1-1/8	6.30	1.89	0.67	1.562	4.75	3.19	0.51	0.75	2.04	1.75			
VAK206 x 1-3/16		1-3/16													
VAK206 x 1-1/4		1-1/4													
VAK207 x 35MM	35		167	48	19	46.04	127	92.1	15	19	54.4	55.58	SA207 x 35MM SA207 x 1-1/4 SA207 x 1-3/8 SA207 x 1-7/16	RAK35	1.6
VAK207 x 1-1/4		1-1/4	6.57	1.89	0.75	1.812	5.00	3.63	0.60	0.75	2.14	2.19			
VAK207 x 1-3/8		1-3/8													
VAK207 x 1-7/16		1-7/16													
VAK208 x 40MM	40		181	54	19	49.21	140	100.0	15	19	61.7	60.3	SA208 x 40MM SA208 x 1-1/2	RAK40	2.0
VAK208 x 1-1/2		1-1/2	7.13	2.13	0.75	1.937	5.50	3.94	0.60	0.75	2.43	2.37			
VAK209 x 45MM	45		190	54	21	52.39	146	104.8	15	19	61.2	63.5	SA209 x 45MM SA209 x 1-5/8 SA209 x 1-11/16 SA209 x 1-3/4	RAK45	2.3
VAK209 x 1-5/8		1-5/8	7.50	2.13	0.83	2.062	5.75	4.13	0.60	0.75	2.41	2.50			
VAK209 x 1-11/16		1-11/16													
VAK209 x 1-3/4		1-3/4													
VAK210 x 50MM	50		203	57	22	55.56	159	112.7	15	19	62.2	69.85	SA210 x 50MM SA210 x 1-7/8 SA210 x 1-15/16 SA210 x 2	RAK50	2.8
VAK210 x 1-7/8		1-7/8	8.00	2.24	0.87	2.187	6.25	4.44	0.60	0.75	2.45	2.75			
VAK210 x 1-15/16		1-15/16													
VAK210 x 2		2													
VAK211 x 55MM	55		232	60	25	61.9	181	125	20	24	67.9	76.2	SA211 x 55MM SA211 x 2 SA211 x 2-1/8 SA211 x 2-3/16	RAK55	3.8
VAK211 x 2		2	9.13	2.36	0.98	2.437	7.13	4.92	0.79	0.94	2.67	3			
VAK211 x 2-1/8		2-1/8													
VAK211 x 2-3/16		2-3/16													
VAK212 x 60MM	60		241	64	29	68.3	191	136	20	24	74.1	84.2	SA212 x 60MM SA212 x 2-1/4 SA212 x 2-3/8 SA212 x 2-7/16	RAK60	5.0
VAK212 x 2-1/4		2-1/4	9.49	2.52	1.14	2.687	7.52	5.35	0.79	0.94	2.92	3.31			
VAK212 x 2-3/8		2-3/8													
VAK212 x 2-7/16		2-7/16													

Note: Set Screw and Adapter Lock Bearings also available from stock.



# Pillow Block

## VAK 200 PTI Series

Normal Duty Bearing

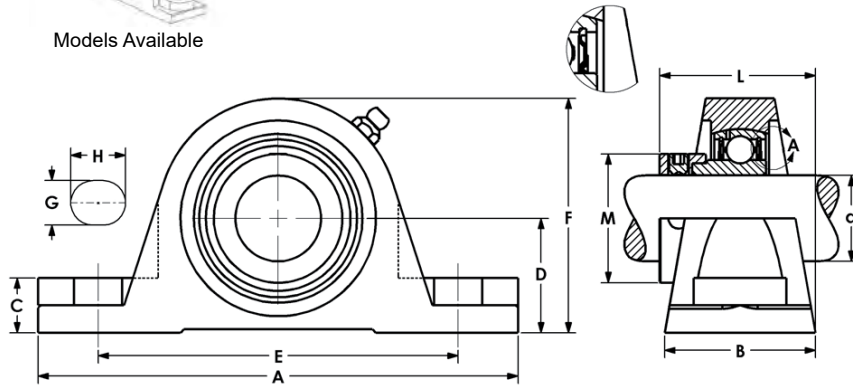
Cast Iron Housing

Eccentric Collar Lock

Metric and Inch Bores



Models Available



Part No.	Shaft Size d		Dimensions (mm) (in)										Bearing No.	Housing No.	Wt. kg
	mm	in	A	B	C	D	E	F	G	H	L	M			
VAK201-12MM	12		120	35	12.7	27	89	54	13	16	40.1	28.6	SA201-12MM SA202-15MM SA203-17MM SA201-8 SA202-10 SA203-11	RAK203	0.5
VAK202-15MM	15														
VAK203-17MM	17														
VAK201-8		1/2	4.72	1.38	0.5	1.062	3.5	2.13	0.51	0.63	1.58	1.13			
VAK202-10		5/8													
VAK203-11		11/16													
VAK204-20MM	20		133	41	14.3	31.75	98	63.5	13	16	44.5	33.3	SA204-20MM SA204-12	RAK20	0.6
VAK204-12		3/4	5.25	1.61	0.56	1.250	3.86	2.50	0.51	0.63	1.75	1.31			
VAK205-25MM	25		140	44	16	33.34	105	68.3	11.7	16	45.5	38.1	SA205-25MM SA205-14 SA205-15 SA205-16	RAK25	0.8
VAK205-14		7/8	5.50	1.73	0.63	1.312	4.13	2.69	0.46	0.63	1.79	1.50			
VAK205-15		15/16													
VAK205-16		1													
VAK206-30MM	30		160	48	17	39.69	121	81.0	13	19	51.7	44.45	SA206-30MM SA206-18 SA206-19 SA206-20	RAK30	1.2
VAK206-18		1-1/8	6.30	1.89	0.67	1.562	4.75	3.19	0.51	0.75	2.04	1.75			
VAK206-19		1-3/16													
VAK206-20		1-1/4													
VAK207-35MM	35		167	48	19	46.04	127	92.1	15	19	54.4	55.58	SA207-35MM SA207-20 SA207-22 SA207-23	RAK35	1.6
VAK207-20		1-1/4	6.57	1.89	0.75	1.812	5.00	3.63	0.60	0.75	2.14	2.19			
VAK207-22		1-3/8													
VAK207-23		1-7/16													
VAK208-40MM	40		181	54	19	49.21	140	100.0	15	19	61.7	60.3	SA208-40MM SA208-24	RAK40	2.0
VAK208-24		1-1/2	7.13	2.13	0.75	1.937	5.50	3.94	0.60	0.75	2.43	2.37			
VAK209-45MM	45		190	54	21	52.39	146	104.8	15	19	61.2	63.5	SA209-45MM SA209-26 SA209-27 SA209-28	RAK45	2.3
VAK209-26		1-5/8	7.50	2.13	0.83	2.062	5.75	4.13	0.60	0.75	2.41	2.50			
VAK209-27		1-11/16													
VAK209-28		1-3/4													
VAK210-50MM	50		203	57	22	55.56	159	112.7	15	19	62.2	69.85	SA210-50MM SA210-30 SA210-31 SA210-32	RAK50	2.8
VAK210-30		1-7/8	8	2.24	0.87	2.187	6.25	4.44	0.60	0.75	2.45	2.75			
VAK210-31		1-15/16													
VAK210-32		2													
VAK211-55MM	55		232	60	25	61.9	181	125	20	24	67.9	76.2	SA211-55MM SA211-32 SA211-34 SA211-35	RAK55	3.8
VAK211-32		2	9.13	2.36	0.98	2.437	7.13	4.92	0.79	0.94	2.67	3			
VAK211-34		2-1/8													
VAK211-35		2-3/16													
VAK212-60MM	60		241	64	29	68.3	191	136	20	24	74.1	84.2	SA212-60MM SA212-36 SA212-38 SA212-39	RAK60	5.0
VAK212-36		2-1/4	9.49	2.52	1.14	2.687	7.52	5.35	0.79	0.94	2.92	3.31			
VAK212-38		2-3/8													
VAK212-39		2-7/16													

Note: Set Screw and Adapter Lock Bearings also available from stock.

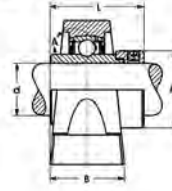
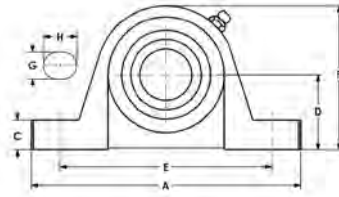
# Pillow Block

## SW 200 Euro Series

Normal Duty Bearing  
Cast Iron Housing  
Eccentric Collar Lock  
Metric and Inch Bores



Models Available



Part No.	Shaft Size d		Dimensions (mm) (in)										Bearing No.	Housing No.	Wt. kg
	mm	in	A	B	C	D	E	F	G	H	L	M			
SW204 x 20AMM SW204 x 3/4A	20	3/4	130 5.12	32 1.26	14.5 0.57	33.3 1.312	97.5 3.84	64 2.52	13 0.51	19 0.75	42.5 1.67	33.3 1.31	HC204 x 20MM HC204 x 3/4	SW204	0.6
SW205 x 25AMM SW205 x 7/8A SW205 x 15/16A SW205 x 1A	25	7/8 15/16 1	130 5.12	36 1.42	14.5 0.57	36.5 1.437	102.0 4.02	70 2.76	13 0.51	19 0.75	45.0 1.77	38.1 1.50	HC205 x 25MM HC205 x 7/8 HC205 x 15/16 HC205 x 1	SW205	0.8
SW206 x 30AMM SW206 x 1-1/8A SW206 x 1-3/16A SW206 x 1-1/4A	30	1-1/8 1-3/16 1-1/4	155 6.10	40 1.57	17.0 0.67	42.9 1.687	117.5 4.63	82 3.23	15 0.59	22 0.87	50.1 1.97	44.5 1.75	HC206 x 30MM HC206 x 1-1/8 HC206 x 1-3/16 HC206 x 1-1/4	SW206	1.3
SW207 x 35AMM SW207 x 1-1/4A SW207 x 1-3/8A SW207 x 1-7/16A	35	1-1/4 1-3/8 1-7/16	160 6.30	45 1.77	19.0 0.75	47.6 1.875	126 4.96	93 3.66	16 0.63	21 0.83	54.8 2.16	55.6 2.19	HC207 x 35MM HC207 x 1-1/4 HC207 x 1-3/8 HC207 x 1-7/16	SW207	1.7
SW208 x 40AMM SW208 x 1-1/2A	40	1-1/2	175 6.89	46 1.81	19.0 0.75	49.2 1.937	135.5 5.33	98 3.86	13.6 0.54	21 0.83	58.9 2.32	60.3 2.37	HC208 x 40MM HC208 x 1-1/2	SW208	2.2
SW209 x 45AMM SW209 x 1-5/8A SW209 x 1-11/16A SW209 x 1-3/4A	45	1-5/8 1-11/16 1-3/4	190 7.48	48 1.89	22.0 0.87	54.0 2.125	147.0 5.79	104 4.09	14.7 0.58	26 1.02	58.9 2.32	63.5 2.50	HC209 x 45MM HC209 x 1-5/8 HC209 x 1-11/16 HC209 x 1-3/4	SW209	2.4
SW210 x 50AMM SW210 x 1-7/8A SW210 x 1-15/16A SW210 x 2A	50	1-7/8 1-15/16 2	198 7.80	54 2.13	22.0 0.87	57.2 2.250	157 6.18	114 4.49	18.0 0.71	27 1.06	65.1 2.56	69.9 2.75	HC210 x 50MM HC210 x 1-7/8 HC210 x 1-15/16 HC210 x 2	SW210	3.0
SW211 x 55AMM SW211 x 2A SW211 x 2-1/8A SW211 x 2-3/16A	55	2 2-1/8 2-3/16	219 8.62	60 2.36	23.0 0.91	63.5 2.500	164 6.46	126.5 4.98	19.0 0.75	28 1.10	73.7 2.90	76.2 3.00	HC211 x 55MM HC211 x 2 HC211 x 2-1/8 HC211 x 2-3/16	SW211	3.9
SW212 x 60AMM SW212 x 2-1/4A SW212 x 2-3/8A SW212 x 2-7/16A	60	2-1/4 2-3/8 2-7/16	240 9.45	60 2.36	25.0 0.98	69.8 2.750	184 7.24	140 5.51	18.0 0.71	32 1.26	76.8 3.02	84.2 3.31	HC212 x 60MM HC212 x 2-1/4 HC212 x 2-3/8 HC212 x 2-7/16	SW212	5.5
SW213 x 65AMM SW213 x 2-1/2A	65	2-1/2	265 10.43	70 2.76	27.0 1.06	76.2 3.000	202 7.95	151 5.94	25.0 0.98	29.5 1.16	79.6 3.13	86 3.39	HC213 x 65MM HC213 x 2-1/2	SW213	5.9
SW214 x 70AMM SW214 x 2-11/16A	70	2-11/16	266 10.47	70 2.76	27.0 1.06	79.4 3.125	210 8.27	157 6.18	25.0 0.98	30 1.18	79.6 3.13	90 3.54	HC214 x 70MM HC214 x 2-11/16	SW214	7.2
SW215 x 75AMM SW215 x 2-15/16A	75	2-15/16	275 10.83	74 2.91	28.0 1.10	82.6 3.250	217.0 8.54	163 6.42	25.0 0.98	30 1.18	91.4 3.60	102 4.02	HC215 x 75MM HC215 x 2-15/16	SW215	7.8
SW216 x 80AMM —	80	—	292 11.50	78 3.07	30.0 1.18	88.9 3.500	232.0 9.13	175 6.89	25.0 0.98	30 1.18	98.6 3.88	108.0 4.25	HC216 x 80MM —	SW216	9.0
SW217 x 85AMM —	85	—	310 12.2	83 3.27	32 1.25	95.2 3.750	247 9.72	187 7.4	25.0 0.98	30 1.18	100.0 3.94	119.0 4.69	HC217 x 85MM —	SW217	12.2
SW218 x 90AMM —	90	—	327 12.9	88 3.46	33 1.3	101.6 4.000	262 10.3	200 7.9	27.0 1.06	36 1.42	106.7 4.20	118.0 4.65	HC218 x 90MM —	SW218	14.0
SW220 x 100AMM —	100	—	380 14.9	95 3.75	40 1.6	115.0 4.500	296 11.65	225 8.9	30.0 1.18	55 2.17	97.0 3.82	132.0 5.20	HC220 x 100MM —	SW220	16.0
SW224 x 120AMM —	120	—	440 17.3	105 4.13	45 1.7	135.0 5.312	348 13.7	265 10.4	33.0 1.3	60 2.36	105.0 4.13	152.0 5.98	HC224 x 120MM —	SW224	26.0

Note: Set Screw and Adapter Lock Bearings also available from stock.

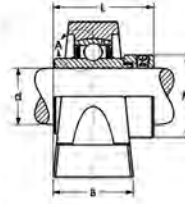
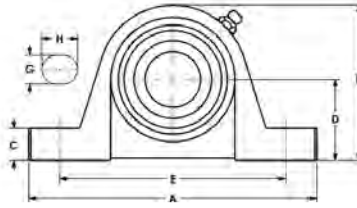
# Pillow Block

## SW 200 PTI Series

Normal Duty Bearing  
Cast Iron Housing  
Eccentric Collar Lock  
Metric and Inch Bores



Models Available



Part No.	Shaft Size d		Dimensions (mm) (in)										Bearing No.	Housing No.	Wt. kg
	mm	in	A	B	C	D	E	F	G	H	L	M			
SW204-20AMM SW204-12A	20	3/4	130 5.12	32 1.26	14.5 0.57	33.3 1.312	97.5 3.84	64 2.52	13 0.51	19 0.75	42.5 1.67	33.3 1.31	HC204-20MM HC204-12	SW204	0.6
SW205-25AMM SW205-14A SW205-15A SW205-16A	25	7/8 15/16 1	130 5.12	36 1.42	14.5 0.57	36.5 1.437	102.0 4.02	70 2.76	13 0.51	19 0.75	45.0 1.77	38.1 1.50	HC205-25MM HC205-14 HC205-15 HC205-16	SW205	0.8
SW206-30AMM SW206-18A SW206-19A SW206-20A	30	1-1/8 1-3/16 1-1/4	155 6.10	40 1.57	17.0 0.67	42.9 1.687	117.5 4.63	82 3.23	15 0.59	22 0.87	50.1 1.97	44.5 1.75	HC206-30MM HC206-18 HC206-19 HC206-20	SW206	1.3
SW207-35AMM SW207-20A SW207-22A SW207-23A	35	1-1/4 1-3/8 1-7/16	160 6.30	45 1.77	19.0 0.75	47.6 1.875	126 4.96	93 3.66	16 0.63	21 0.83	54.8 2.16	55.6 2.19	HC207-35MM HC207-20 HC207-22 HC207-23	SW207	1.7
SW208-40AMM SW208-24A	40	1-1/2	175 6.89	46 1.81	19.0 0.75	49.2 1.937	135.5 5.33	98 3.86	13.6 0.54	21 0.83	58.9 2.32	60.3 2.37	HC208-40MM HC208-24	SW208	2.2
SW209-45AMM SW209-26A SW209-27A SW209-28A	45	1-5/8 1-11/16 1-3/4	190 7.48	48 1.89	22.0 0.87	54.0 2.125	147.0 5.79	104 4.09	14.7 0.58	26 1.02	58.9 2.32	63.5 2.50	HC209-45MM HC209-26 HC209-27 HC209-28	SW209	2.4
SW210-50AMM SW210-30A SW210-31A SW210-32A	50	1-7/8 1-15/16 2	198 7.80	54 2.13	22.0 0.87	57.2 2.250	157 6.18	114 4.49	18.0 0.71	27 1.06	65.1 2.56	69.9 2.75	HC210-50MM HC210-30 HC210-31 HC210-32	SW210	3.0
SW211-55AMM SW211-32A SW211-34A SW211-35A	55	2 2-1/8 2-3/16	219 8.62	60 2.36	23.0 0.91	63.5 2.500	164 6.46	126.5 4.98	19.0 0.75	28 1.10	73.7 2.90	76.2 3.00	HC211-55MM HC211-32 HC211-34 HC211-35	SW211	3.9
SW212-60AMM SW212-36A SW212-38A SW212-39A	60	2-1/4 2-3/8 2-7/16	240 9.45	60 2.36	25.0 0.98	69.8 2.750	184 7.24	140 5.51	18.0 0.71	32 1.26	76.8 3.02	84.2 3.31	HC212-60MM HC212-36 HC212-38 HC212-39	SW212	5.5
SW213-65AMM SW213-40A	65	2-1/2	265 10.43	70 2.76	27.0 1.06	76.2 3.000	202 7.95	151 5.94	25.0 0.98	29.5 1.16	86.6 3.41	86 3.39	HC213-65MM HC213-40	SW213	5.9
SW214-70AMM SW214-43A SW214-44A	70	2-11/16 2-3/4	266 10.47	70 2.76	27.0 1.06	79.4 3.125	210 8.27	157 6.18	25.0 0.98	30 1.18	86.6 3.41	90 3.54	HC214-70MM HC214-43 HC214-44	SW214	7.2
SW215-75AMM SW215-47A SW215-48A	75	2-15/16 3	275 10.83	74 2.91	28.0 1.10	82.6 3.250	217.0 8.54	163 6.42	25.0 0.98	30 1.18	91.4 3.60	102.0 4.02	HC215-75MM HC215-47 HC215-48	SW215	7.8
SW216-80AMM —	80	—	292 11.50	78 3.07	30.0 1.18	88.9 3.500	232.0 9.13	175 6.89	25.0 0.98	30 1.18	98.6 3.88	108.0 4.25	HC216-80MM —	SW216	9.0
SW217-85AMM —	85	—	310 12.2	83 3.27	32 1.25	95.2 3.750	247 9.72	187 7.4	25.0 0.98	30 1.18	100.0 3.94	119.0 4.69	HC217-85MM —	SW217	12.2
SW218-90AMM SW218-56A	90	3-1/2	327 12.9	88 3.46	33 1.3	101.6 4.000	262 10.3	200 7.9	27.0 1.06	36 1.42	106.7 4.20	118.0 4.65	HC218-90MM HC218-56	SW218	14.0
SW220-100AMM —	100	—	380 14.9	95 3.75	40 1.6	115.0 4.500	296 11.65	225 8.9	30.0 1.18	55 2.17	97.0 3.82	132.0 5.19	HC220-100MM —	SW220	16.0
SW224-120AMM —	120	—	440 17.3	105 4.13	45 1.7	135.0 5.312	348 13.7	265 10.4	33.0 1.3	60 2.36	105.0 4.13	152.0 5.98	HC224-120MM —	SW224	26.0

Note: Set Screw and Adapter Lock Bearings also available from stock.

# Pillow Block

## UKP 200 PTI Series

Normal Duty Bearing

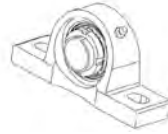
Cast Iron Housing

Adapter Sleeve Lock

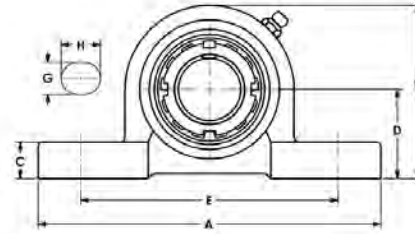
High Center Height

Metric and Inch Bores

Solid Base Optional



Models Available



Part No.	Shaft Size d		Dimensions (mm) (in)									Bearing No.	Adapter Sleeve No.	Housing No.	Wt. kg
	mm	in	A	B	C	D	E	F	G	H	L				
UKP205-20MM	20		140	38	15	36.5	105	71	13	19	35	UK205	H2305 x 20MM	P205	0.8
UKP205-12		3/4	5.51	1.50	0.59	1.437	4.13	2.80	0.51	0.75	1.38		H2305 x 3/4	P205SB*	
UKP206-25MM	25		165	48	17	42.9	121	83	17	21	38	UK206	H2306 x 25MM	P206	1.3
UKP206-14		7/8	6.50	1.89	0.67	1.687	4.76	3.27	0.67	0.83	1.49		H2306 x 7/8		
UKP206-15		15/16											H2306 x 15/16		
UKP206-16		1											H2306 x 1		
UKP207-30MM	30		167	48	18	47.6	127	93	17	21	43	UK207	H2307 x 30MM	P207	1.7
UKP207-19		1-3/16	6.57	1.89	0.71	1.875	5.00	3.66	0.67	0.83	1.69		H2307 x 1-3/16		
UKP 208-35MM	35		184	54	18	49.2	137	98	17	23	46	UK208	H2308 x 35MM	P208	2.2
UKP208-20		1-1/4	7.24	2.13	0.71	1.937	5.39	3.86	0.67	0.91	1.81		H2308 x 1-1/4		
UKP208-22		1-3/8											H2308 x 1-3/8		
UKP209-40MM	40		190	54	20	54	146	106	17	23	50	UK209	H2309 x 40MM	P209	2.4
UKP209-23		1-7/16	7.48	2.13	0.79	2.125	5.75	4.17	0.67	0.91	1.97		H2309 x 1-7/16		
UKP209-24		1-1/2											H2309 x 1-1/2		
UKP210-45MM	45		206	60	21	57.2	159	114	20	25	55	UK210	H2310 x 45MM	P210	3.0
UKP210-27		1-11/16	8.11	2.36	0.83	2.250	6.26	4.49	0.79	0.98	2.17		H2310 x 1-11/16		
UKP210-28		1-3/4											H2310 x 1-3/4		
UKP211-50MM	50		219	60	23	63.5	171	126	20	25	59	UK211	H2311 x 50MM	P211	3.9
UKP211-30		1-7/8	8.62	2.36	0.91	2.500	6.73	4.96	0.79	0.98	2.32		H2311 x 1-7/8		
UKP211-31		1-15/16											H2311 x 1-15/16		
UKP211-32		2											H2311 x 2		
UKP212-55MM	55		241	70	25	69.8	184	138	20	25	62	UK212	H2312 x 55MM	P212	5.5
—	—	—	9.49	2.76	0.98	2.750	7.24	5.43	0.79	0.98	2.44		—		
UKP213-60MM	60		264	70	27	76.2	203	151	25	29	65	UK213	H2313 x 60MM	P213	5.7
UKP213-35		2-3/16	10.39	2.76	1.06	3.000	7.99	5.94	0.98	1.14	2.56		H2313 x 2-3/16		
UKP213-36		2-1/4											H2313 x 2-1/4		
UKP215-65MM	65		275	74	28	82.6	217	163	25	31	73	UK215	H2315 x 65MM	P215	7.9
UKP215-39		2-7/16	10.83	2.91	1.10	3.250	8.54	6.42	0.98	1.22	2.87		H2315 x 2-7/16		
UKP215-40		2-1/2											H2315 x 2-1/2		
UKP216-70MM	70		292	78	30	88.9	232	175	25	31	78	UK216	H2316 x 70MM	P216	10.0
UKP216-43		2-11/16	11.50	3.07	1.18	3.500	9.13	6.89	0.98	1.22	3.07		H2316 x 2-11/16		
UKP216-44		2-3/4											H2316 x 2-3/4		
UKP217-75MM	75		310	83	32	95.2	247	187	25	31	82	UK217	H2317 x 75MM	P217	12.2
UKP217-47		2-15/16	12.20	3.27	1.26	3.750	9.72	7.36	0.98	1.22	3.23		H2317 x 2-15/16		
UKP217-48		3											H2317 x 3		
UKP218-80MM	80		327	88	33	101.6	262	200	27	33	86	UK218	H2318 x 80MM	P218	14.7
UKP218-51		3-3/16	12.87	3.46	1.30	4.000	10.31	7.87	1.06	1.30	3.39		H2318 x 3-3/16		
UKP218-52		3-1/4											H2318 x 3-1/4		

Note: Other housings can also be used. Shorter length through bore sizes available in H300 and SNW series adapters. See adapter section for dimensions. \*SB indicates Solid Housing Base, available from stock.

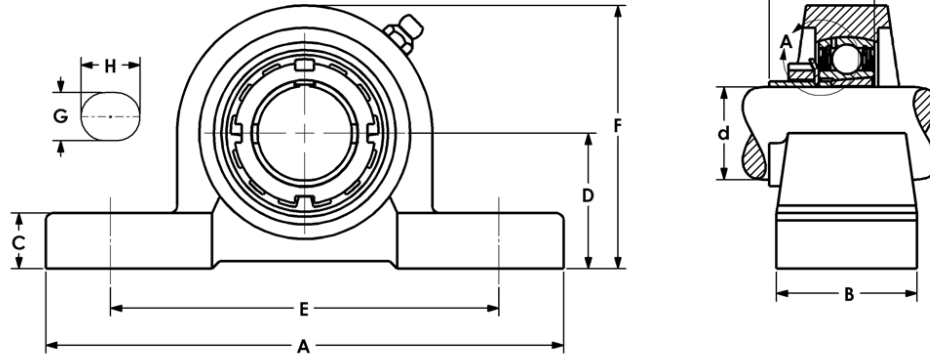
# Pillow Block

## GSHP 200 PTI Series

- Thin Adapter Lock
- Normal Duty Bearing
- Cast Iron Housing
- High Center Height
- Metric and Inch Bores
- Solid Base Optional



Models Available



Part No.	Shaft Size d		Dimensions (mm) (in)									Bearing No.	Adapter No.	Housing No.	Wt. kg
	mm	in	A	B	C	D	E	F	G	H	L				
GSHP204-20MM	20		127	38	14	33.3	95	65	13	19	31.9	GSH204	H204GSH-20MM	P 204 P204SB*	0.6
GSHP204-12		3/4	5.00	1.50	0.55	1.312	3.75	2.56	0.51	0.75	1.26		H204GSH-12		
GSHP205-25MM	25		140	38	15	36.5	105	71	13	19	36.0	GSH205	H205GSH-25MM	P 205 P205SB*	0.8
GSHP205-15		15/16	5.51	1.50	0.59	1.437	4.13	2.80	0.51	0.75	1.42		H205GSH-15		
GSHP205-16		1											H205GSH-16		
GSHP206-30MM	30		165	48	17	42.9	121	83	17	21	46.7	GSH206	H206GSH-30MM	P 206 P206SB*	1.3
GSHP206-19		1-3/16	6.50	1.89	0.67	1.687	4.76	3.27	0.67	0.83	1.84		H206GSH-19		
GSHP207-35MM	35		167	48	18	47.6	127	93	17	21	48.6	GSH207	H207GSH-35MM	P 207 P207SB*	1.7
GSHP207-20		1-1/4	6.57	1.89	0.71	1.875	5.00	3.66	0.67	0.83	1.91		H207GSH-20		
GSHP207-22		1-3/8											H207GSH-22		
GSHP208-40MM	40		184	54	18	49.2	137	98	17	21	54.9	GSH208	H208GSH-40MM	P 208 P208SB*	2.2
GSHP208-24		1-1/2	7.24	2.13	0.71	1.937	5.39	3.86	0.67	0.83	2.15		H208GSH-24		
GSHP209-45MM	45		190	54	20	54	146	106	17	21	56.4	GSH209	H209GSH-45MM	P 209 P209SB*	2.4
GSHP209-28		1-3/4	7.48	2.13	0.79	2.125	5.75	4.17	0.67	0.83	2.22		H209GSH-28		
GSHP210-50MM	50		206	60	21	57.2	159	114	20	25	56.4	GSH210	H210GSH-50MM	P 210 P210SB*	3.0
GSHP210-31		1-15/16	8.11	2.36	0.83	2.250	6.26	4.49	0.79	0.98	2.22		H210GSH-31		
GSHP210-32		2											H210GSH-32		

Note: \* Solid Base also in stock. Specify, i.e., GSHP210-32SB

# Pillow Block



## CLRAK 200 PTI Series

Normal Duty Bearing

Cast Iron Housing

Concentric Locking Collar

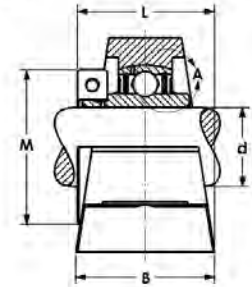
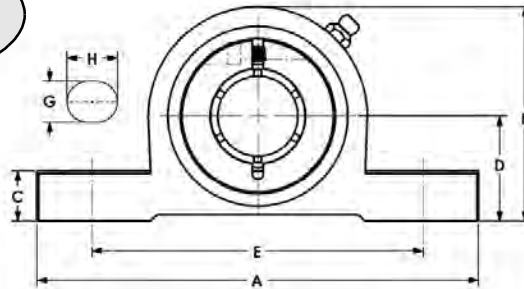
Metric and Inch Bores



The locking collar provides for a concentric fit to the shaft.



Models Available



Part No.	Shaft Size d		Dimensions (mm) (in)										Bearing No.	Housing No.	Wt. kg
	mm	in	A	B	C	D	E	F	G	H	L	M			
CLRAK 204-20MM CLRAK 204-12	20	3/4	133 5.25	41 1.61	14.3 0.56	31.75 1.250	98 3.86	63.5 2.5	13 0.51	16 0.63	40.3 1.59	33.3 1.31	CL204-20MM CL204-12	RAK20	0.6
CLRAK 205-25MM CLRAK 205-14 CLRAK 205-15 CLRAK 205-16	25	7/8 15/16 1	140 5.51	44 1.73	16 0.35	33.34 1.312	105 4.13	68.3 2.69	13 0.51	16 0.63	44.2 1.74	38.1 1.50	CL205-25MM CL205-14 CL205-15 CL205-16	RAK25	0.8
CLRAK 206-30MM CLRAK 206-18 CLRAK 206-19 CLRAK 206-20	30	1-1/8 1-3/16 1-1/4	160 6.30	48 1.89	17 0.67	39.69 1.562	121 4.76	81.0 3.19	13 0.51	19 0.75	47.8 1.88	44.45 1.75	CL206-30MM CL206-18 CL206-19 CL206-20	RAK30	1.3
CLRAK 207-35MM CLRAK 207-20 CLRAK 207-22 CLRAK 207-23	35	1-1/4 1-3/8 1-7/16	167 6.57	48 1.89	19 0.75	46.04 1.812	127 5.0	92.1 3.63	15 0.59	19 0.75	51.0 2.01	55.58 2.19	CL207-35MM CL207-20 CL207-22 CL207-23	RAK35	1.7
CLRAK 208-40MM CLRAK 208-24	40	1-1/2	181 7.13	54 2.13	19 0.75	49.21 1.937	140 5.51	100.0 3.94	15 0.59	19 0.75	58.8 2.32	60.3 2.37	CL208-40MM CL208-24	RAK40	2.2
CLRAK 209-45MM CLRAK 209-26 CLRAK 209-27 CLRAK 209-28	45	1-5/8 1-11/16 1-3/4	190 7.48	54 2.13	21 0.83	52.39 2.062	146 5.75	104.8 4.13	15 0.59	19 0.75	58.8 2.32	63.5 2.50	CL209-45MM CL209-26 CL209-27 CL209-28	RAK45	2.4
CLRAK 210-50MM CLRAK 210-30 CLRAK 210-31 CLRAK 210-32	50	1-7/8 1-15/16 2	203 7.99	57 2.24	22 0.87	55.56 2.187	159 6.25	112.7 4.44	15 0.59	19 0.75	62.6 2.46	69.85 2.75	CL210-50MM CL210-30 CL210-31 CL210-32	RAK50	3.0
CLRAK 211-55MM CLRAK 211-32 CLRAK 211-34 CLRAK 211-35	55	2 2-1/8 2-3/16	232 9.13	60 2.36	25 0.98	61.91 2.437	181 7.13	125.4 4.94	20 0.79	24 0.94	64.9 2.55	76.2 3.0	CL211-55MM CL211-32 CL211-34 CL211-35	RAK55	3.9
CLRAK 212-60MM CLRAK 212-36 CLRAK 212-38 CLRAK 212-39	60	2-1/4 2-3/8 2-7/16	241 9.49	64 2.52	29 1.14	68.26 2.687	191 7.52	138.1 5.44	20 0.79	24 0.94	73.3 2.88	84.12 3.31	CL212-60MM CL212-36 CL212-38 CL212-39	RAK60	5.5

# Pillow Block



## CLP 200 PTI Series

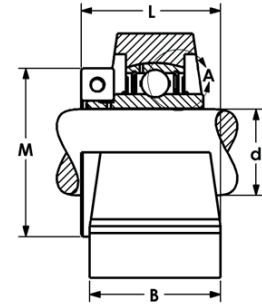
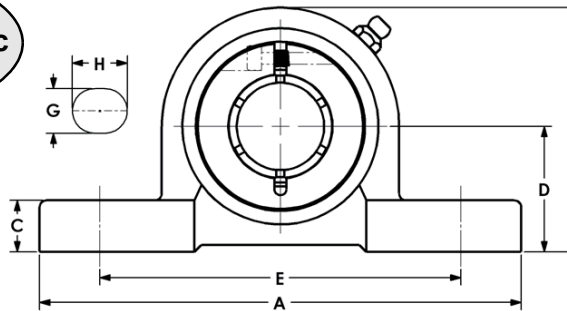
- Normal Duty Bearing
- Cast Iron Housing
- Concentric Collar Lock
- High Center Height
- Metric and Inch Bores
- Solid Base Optional



The locking collar provides for a concentric fit to the shaft.



Models Available



Part No.	Shaft Size d		Dimensions (mm) (in)									Bearing No.	Housing No.	Wt. kg
	mm	in	A	B	C	D	E	F	G	H	L			
CLP204-20MM	20		127	38	14	33.3	95	65	13	19	38.8	CL204-20MM	P 204	0.5
CLP204-12		3/4	5.00	1.50	0.55	1.312	3.75	2.56	0.51	0.75	1.53	CL204-12	P204SB*	
CLP205-25MM	25		140	38	15	36.5	105	71	13	19	41.2	CL205-25MM	P 205 P205SB*	0.7
CLP205-14		7/8	5.51	1.50	0.59	1.437	4.13	2.80	0.51	0.75	1.62	CL205-14		
CLP205-15		15/16										CL205-15		
CLP205-16		1										CL205-16		
CLP206-30MM	30		165	48	17	42.9	121	83	17	21	47.8	CL206-30MM	P 206 P206SB*	1.1
CLP206-18		1-1/8	6.50	1.89	0.67	1.687	4.76	3.27	0.67	0.83	1.88	CL206-18		
CLP206-19		1-3/16										CL206-19		
CLP206-20		1 1/4										CL206-20		
CLP207-35MM	35		167	48	18	47.6	127	93	17	21	51.0	CL207-35MM	P 207 P207SB*	1.3
CLP207-20		1-1/4	6.57	1.89	0.71	1.875	5.00	3.66	0.67	0.83	2.01	CL207-20		
CLP207-22		1-3/8										CL207-22		
CLP207-23		1- 7/16										CL207-23		
CLP208-40MM	40		184	54	18	49.2	137	98	17	23	58.8	CL208-40MM	P 208 P208SB*	1.7
CLP208-24		1-1/2	7.24	2.13	0.71	1.937	5.39	3.86	0.67	0.91	2.31	CL208-24		
CLP209-45MM	45		190	54	20	54	146	106	17	23	58.8	CL209-45MM	P 209 P209SB*	1.8
CLP209-26		1-5/8	7.48	2.13	0.79	2.125	5.75	4.17	0.67	0.91	2.31	CL209-26		
CLP209-27		1-11/16										CL209-27		
CLP209-28		1-3/4										CL209-28		
CLP210-50MM	50		206	60	21	57.2	159	114	20	25	64.1	CL210-50MM	P 210 P210SB*	2.3
CLP210-31		1-15/16	8.11	2.37	0.83	2.250	6.26	4.49	0.79	0.98	2.52	CL210-31		
CLP210-32		2										CL210-32		
CLP211-55MM	55		219	60	23	63.5	171	126	20	25	64.9	CL211-55MM	P 211 P211SB*	2.9
CLP211-32		2	8.62	2.37	0.91	2.500	6.73	4.96	0.79	0.98	2.56	CL211-32		
CLP211-34		2-1/8										CL211-34		
CLP211-35		2-3/16										CL211-35		
CLP212-60MM	60		241	70	25	69.8	184	138	20	25	76.3	CL212-60MM	P 212 P212SB*	4.5
CLP212-36		2-1/4	9.49	2.76	0.98	2.750	7.24	5.43	0.79	0.98	3.00	CL212-36		
CLP212-38		2-3/8										CL212-38		
CLP212-39		2-7/16										CL212-39		

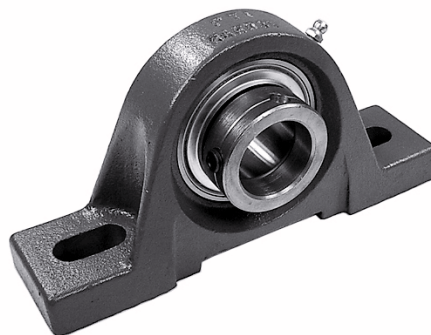
Note: Other sizes available on request. \* Indicates Solid Base Housing available.

# Pillow Block



## RAKH 200 Euro Series

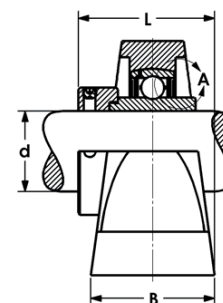
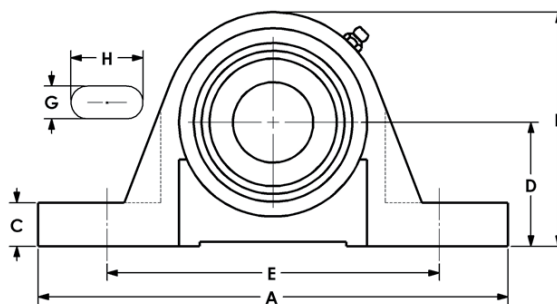
Normal Duty Bearing  
Eccentric Collar Lock  
Metric and Inch Bores  
Non-Expansion



Use with  
RAKHL Expansion Series  
Bearing.



Models Available



Part No.	Shaft Size d		Dimensions (mm) (in)									Bearing No.	Housing No.	Wt. kg
	mm	in	A	B	C	D	E	F	G	H	L			
RAKH207 x 35MM	35		205	54.0	19	54.00	145	102	14.3	31.5	59.3	HC207 x 35MM	RAKH207	2.9
RAKH207 x 1-1/4		1-1/4	8.07	2.13	0.75	2.125	5.71	4.00	0.56	1.24	2.33	HC207 x 1-1/4		
RAKH207 x 1-3/8		1-3/8										HC207 x 1-3/8		
RAKH207 x 1-7/16		1-7/16										HC207 x 1-7/16		
RAKH208 x 40MM	40		222	66.7	20.6	58.70	156	111	17.5	31.8	68.3	HC208 x 40MM	RAKH208	4.0
RAKH208 x 1-1/2		1-1/2	8.75	2.62	0.81	2.313	6.14	4.37	0.69	1.25	2.69	HC208 x 1-1/2		
RAKH209 x 45MM	45		222	66.7	20.6	58.70	156	114	17.5	33.3	68.3	HC209 x 45MM	RAKH209	4.1
RAKH209 x 1-5/8		1-5/8	8.75	2.62	0.81	2.313	6.14	4.50	0.69	1.31	2.69	HC209 x 1-5/8		
RAKH209 x 1-11/16		1-11/16										HC209 x 1-11/16		
RAKH209 x 1-3/4		1-3/4										HC209 x 1-3/4		
RAKH210 x 50MM	50		241	73.0	22.2	63.50	171	122	17.5	36.5	74.6	HC210 x 50MM	RAKH210	5.1
RAKH210 x 1-7/8		1-7/8	9.50	2.87	0.87	2.500	6.73	4.80	0.69	1.44	2.94	HC210 x 1-7/8		
RAKH210 x 1-15/16		1-15/16										HC210 x 1-15/16		
RAKH210 x 2		2										HC210 x 2		
RAKH211 x 55MM	55		260	79.4	27	69.80	184	137	20.6	45.6	83.3	HC211 x 55MM	RAKH211	6.7
RAKH211 x 2		2	10.25	3.12	1.06	2.750	7.24	5.37	0.81	1.80	3.28	HC211 x 2		
RAKH211 x 2-1/8		2-1/8										HC211 x 2-1/8		
RAKH211 x 2-3/16		2-3/16										HC211 x 2-3/16		
RAKH212 x 60MM	60		286	84	27	76.20	203	159	20.6	41.3	88.8	HC212 x 60MM	RAKH212	8.2
RAKH212 x 2-1/4		2-1/4	11.25	3.3	1.06	3.000	7.99	6.25	0.81	1.63	3.5	HC212 x 2-1/4		
RAKH212 x 2-3/8		2-3/8										HC212 x 2-3/8		
RAKH212 x 2-7/16		2-7/16										HC212 x 2-7/16		

Note: Set Screw and Adapter Lock Bearings also available from stock.



# Pillow Block



## RAKH 200 PTI Series

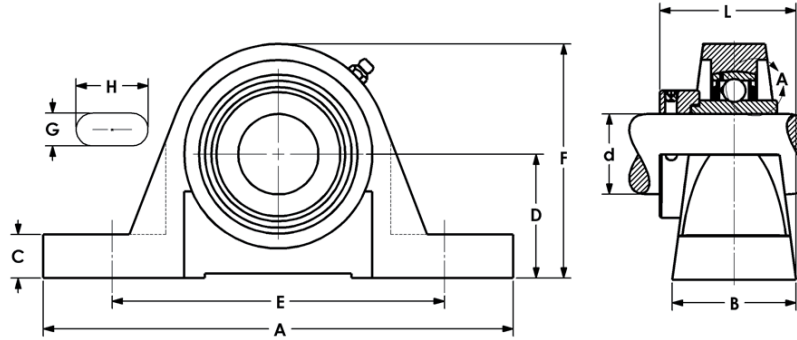
Normal Duty Bearing  
Eccentric Collar Lock  
Metric and Inch Bores  
Non-Expansion



Use with  
RAKHL Expansion Series  
Bearing



Models Available



Part No.	Shaft Size d		Dimensions (mm) (in)									Bearing No.	Housing No.	Wt. kg
	mm	in	A	B	C	D	E	F	G	H	L			
RAKH207-35MM	35		205	54.0	19	54.00	145	102	14.3	31.5	59.3	HC207-35MM	RAKH207	2.9
RAKH207-20		1-1/4	8.07	2.13	0.75	2.125	5.71	4.00	0.56	1.24	2.33	HC207-20		
RAKH207-22		1-3/8										HC207-22		
RAKH207-23		1-7/16										HC207-23		
RAKH208-40MM	40		222	66.7	20.6	58.70	156	111	17.5	31.8	68.3	HC208-40MM	RAKH208	4.0
RAKH208-24		1-1/2	8.75	2.62	0.81	2.313	6.14	4.37	0.69	1.25	2.69	HC208-24		
RAKH209-45MM	45		222	66.7	20.6	58.70	156	114	17.5	33.3	68.3	HC209-45MM	RAKH209	4.1
RAKH209-26		1-5/8	8.75	2.62	0.81	2.313	6.14	4.50	0.69	1.31	2.69	HC209-26		
RAKH209-27		1-11/16										HC209-27		
RAKH209-28		1-3/4										HC209-28		
RAKH210-50MM	50		241	73.0	22.2	63.50	171	122	17.5	36.5	74.6	HC210-50MM	RAKH210	5.1
RAKH210-30		1-7/8	9.50	2.87	0.87	2.500	6.73	4.80	0.69	1.44	2.94	HC210-30		
RAKH210-31		1-15/16										HC210-31		
RAKH210-32		2										HC210-32		
RAKH211-55MM	55		260	79.4	27	69.80	184	137	20.6	45.6	83.3	HC211-55MM	RAKH211	6.7
RAKH211-32		2	10.25	3.12	1.06	2.750	7.24	5.37	0.81	1.80	3.28	HC211-32		
RAKH211-34		2-1/8										HC211-34		
RAKH211-35		2-3/16										HC211-35		
RAKH212-60MM	60		286	84	27	76.20	203	159	20.6	41.3	88.8	HC212-60MM	RAKH212	8.2
RAKH212-36		2-1/4	11.25	3.3	1.06	3.000	7.99	6.25	0.81	1.63	3.5	HC212-36		
RAKH212-38		2-3/8										HC212-38		
RAKH212-39		2-7/16										HC212-39		

Note: Set Screw and Adapter Lock Bearings also available from stock.

# Pillow Block



## RAKHL 200 Euro Series

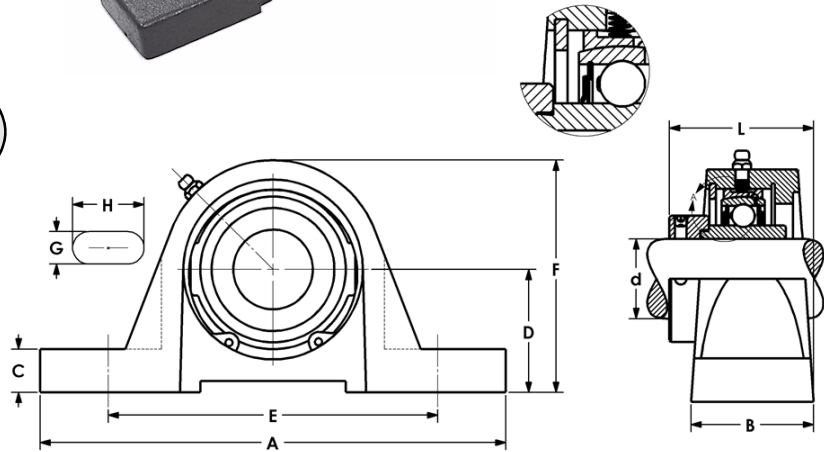
Allows Axial Shaft Expansion  
Normal Duty Bearing  
Eccentric Lock  
Metric and Inch Bores



Use with  
RAKH Non-Expansion  
Series



Models Available



Part No.	Shaft Size d		Total Expansion	Dimensions (mm) (in)									Bearing No.	Housing No.	Wt. kg
	mm	in		A	B	C	D	E	F	G	H	L			
RAKHL207 x 35MM	35		4.8	202	54.5	19	54.00	145	106	14.3	25.4	59.6	HC207 x 35MM	RAKHL207	2.9
RAKHL207 x 1-1/4		1-1/4	0.19	7.94	2.16	0.75	2.125	5.71	4.18	0.56	1.0	2.35	HC207 x 1-1/4		
RAKHL207 x 1-3/8		1-3/8											HC207 x 1-3/8		
RAKHL207 x 1-7/16		1-7/16											HC207 x 1-7/16		
RAKHL208 x 40MM	40		4.8	222	63.5	20.6	58.70	156	116	17.5	31.8	66.7	HC208 x 40MM	RAKHL208	4.0
RAKHL208 x 1-1/2		1-1/2	0.19	8.75	2.50	0.81	2.313	6.14	4.56	0.69	1.25	2.63	HC208 x 1-1/2		
RAKHL209 x 45MM	45		4.8	222	63.5	20.6	58.70	156	116	17.5	31.8	66.7	HC209 x 45MM	RAKHL209	4.1
RAKHL209 x 1-5/8		1-5/8	0.19	8.75	2.50	0.81	2.313	6.14	4.56	0.69	1.25	2.63	HC209 x 1-5/8		
RAKHL209 x 1-11/16		1-11/16											HC209 x 1-11/16		
RAKHL209 x 1-3/4		1-3/4											HC209 x 1-3/4		
RAKHL210 x 50MM	50		6.4	241	63.5	22.2	63.50	171	129	17.5	36.5	69.9	HC210 x 50MM	RAKHL210	5.1
RAKHL210 x 1-7/8		1-7/8	0.25	9.50	2.50	0.87	2.500	6.73	5.09	0.69	1.44	2.75	HC210 x 1-7/8		
RAKHL210 x 1-15/16		1-15/16											HC210 x 1-15/16		
RAKHL210 x 2		2											HC210 x 2		
RAKHL211 x 55MM	55		6.4	260	82	27	69.80	184	143	20.6	36.5	84.6	HC211 x 55MM	RAKHL211	6.7
RAKHL211 x 2		2	0.25	10.25	3.22	1.06	2.750	7.24	5.63	0.81	1.44	3.33	HC211 x 2		
RAKHL211 x 2-1/8		2-1/8											HC211 x 2-1/8		
RAKHL211 x 2-3/16		2-3/16											HC211 x 2-3/16		
RAKHL212 x 60MM	60		6.4	286	84	27	76.20	203	159	20.6	41.3	88.8	HC212 x 60MM	RAKHL212	8.2
RAKHL212 x 2-1/4		2-1/4	0.25	11.25	3.31	1.06	3.000	7.99	6.25	0.81	1.63	3.5	HC212 x 2-1/4		
RAKHL212 x 2-3/8		2-3/8											HC212 x 2-3/8		
RAKHL212 x 2-7/16		2-7/16											HC212 x 2-7/16		

Note: Larger sizes available. Also UC Series set screw locking inserts may be substituted if desired. Housing includes internal expansion ring, 1 snap ring, anti-rotation spring and lube fitting.

# Pillow Block



## RAKHL 200 PTI Series

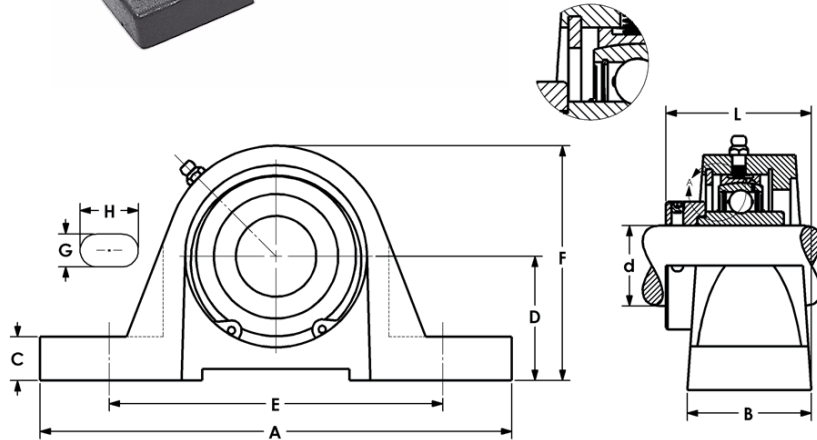
- Allows Axial Shaft Expansion
- Normal Duty Bearing
- Eccentric Lock
- Metric and Inch Bores



Use with  
RAKH Non-Expansion  
Series



Models Available



Part No.	Shaft Size d		Total Expansion	Dimensions (mm) (in)									Bearing No.	Housing No.	Wt. kg
	mm	in		A	B	C	D	E	F	G	H	L			
RAKHL207-35MM	35		4.8	202	54.5	19	54.00	145	106	14.3	25.4	59.6	HC207-35MM	RAKHL207	2.9
RAKHL207-20		1-1/4	0.19	7.94	2.16	0.75	2.125	5.71	4.18	0.56	1.0	2.35	HC207-20		
RAKHL207-22		1-3/8											HC207-22		
RAKHL207-23		1-7/16											HC207-23		
RAKHL208-40MM	40		4.8	222	63.5	20.6	58.70	156	116	17.5	31.8	66.7	HC208-40MM	RAKHL208	4.0
RAKHL208-24		1-1/2	0.19	8.75	2.50	0.81	2.313	6.14	4.56	0.69	1.25	2.63	HC208-24		
RAKHL209-45MM	45		4.8	222	63.5	20.6	58.70	156	116	17.5	31.8	66.7	HC209-45MM	RAKHL209	4.1
RAKHL209-26		1-5/8	0.19	8.75	2.50	0.81	2.313	6.14	4.56	0.69	1.25	2.63	HC209-26		
RAKHL209-27		1-11/16											HC209-27		
RAKHL209-28		1-3/4											HC209-28		
RAKHL210-50MM	50		6.4	241	63.5	22.2	63.50	171	129	17.5	36.5	69.9	HC210-50MM	RAKHL210	5.1
RAKHL210-30		1-7/8	0.25	9.50	2.50	0.87	2.500	6.73	5.09	0.69	1.44	2.75	HC210-30		
RAKHL210-31		1-15/16											HC210-31		
RAKHL210-32		2											HC210-32		
RAKHL211-55MM	55		6.4	260	82	27	69.80	184	143	20.6	36.5	84.6	HC211-55MM	RAKHL211	6.7
RAKHL211-32		2	0.25	10.25	3.22	1.06	2.750	7.24	5.63	0.81	1.44	3.33	HC211-32		
RAKHL211-34		2-1/8											HC211-34		
RAKHL211-35		2-3/16											HC211-35		
RAKHL212-60MM	60		6.4	286	84	27	76.20	203	159	20.6	41.3	88.8	HC212-60MM	RAKHL212	8.2
RAKHL212-36		2-1/4	0.25	11.25	3.31	1.06	3.000	7.99	6.25	0.81	1.63	3.5	HC212-36		
RAKHL212-38		2-3/8											HC212-38		
RAKHL212-39		2-7/16											HC212-39		

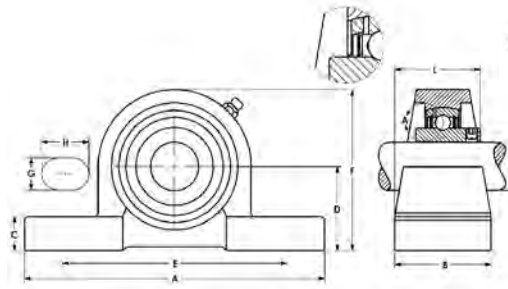
Note: Larger sizes available. Also UC Series set screw locking inserts may be substituted if desired. Housing includes internal expansion ring, 1 snap ring, anti-rotation spring and lube fitting.

# Medium Duty Pillow Block



## PX and PXL PTI Series

**Medium Duty Bearing**  
**Cast Iron Housing**  
**Set Screw Lock**  
**Metric and Inch Bores**



Models Available



Part No	Shaft Size d		Dimensions (mm) (in)									Bearing No.	Housing No.	Wt. kg
	mm	in	A	B	C	D	E	F	G	H	L			
UCPX05-25MM UCPX05-16	25	1	159 6.26	51 2.01	18.0 0.71	44.45 1.750	119 4.69	85 3.35	17 0.67	25 0.98	47.7 1.88	UCX05-25MM UCX05-16	PX05	1.3
UCPXL05-25MM UCPXL05-16	25	1	159 6.26	51 2.01	16.6 0.65	42.85 1.69	119 4.69	85 3.35	17 0.67	25 0.98	47.7 1.88	UCX05-25MM UCX05-16	PXL05	
UCPX06-30MM UCPX06-18 UCPX06-19 UCPX06-20	30	1-1/8 1-3/16 1-1/4	175 6.89	57 2.24	20 0.79	47.62 1.875	127 5.00	94 3.70	17 0.67	25 0.98	53.9 2.12	UCX06-30MM UCX06-18 UCX06-19 UCX06-20	PX06	2.1
UCPX07-35MM UCPX07-20 UCPX07-23	35	1-1/4 1-7/16	203 7.99	57 2.25	22 0.87	54.10 2.130	144 5.67	105 4.13	17 0.67	30 1.18	58.7 2.31	UCX07-35MM UCX07-20 UCX07-23	PX07	2.5
UCPXL07-35MM UCPXL07-20 UCPXL07-23	35	1-1/4 1-7/16	203 7.99	57 2.25	17.2 0.68	49.2 1.94	144 5.67	105 4.13	17 0.67	30 1.18	58.7 2.31	UCX07-35MM UCX07-20 UCX07-23	PXL07	
UCPX08-40MM UCPX08-24	40	1-1/2	222 8.74	67 2.64	26 1.02	58.70 2.311	156 6.14	113 4.45	20 0.79	32 1.26	63.7 2.51	UCX08-40MM UCX08-24	PX08	3.1
UCPXL08-40MM UCPXL08-24	40	1-1/2	222 8.74	67 2.64	21.3 0.84	54.00 2.13	156 6.14	113 4.45	20 0.79	32 1.26	63.7 2.51	UCX08-40MM UCX08-24	PXL08	
UCPX09-45MM UCPX09-27 UCPX09-28	45	1-11/16 1-3/4	222 8.74	67 2.64	26 1.02	58.70 2.311	156 6.14	116 4.57	20 0.79	33 1.30	66.1 2.60	UCX09-45MM UCX09-27 UCX09-28	PX09	3.6
UCPXL09-45MM UCPXL09-27 UCPXL09-28	45	1-11/16 1-3/4	222 8.74	67 2.64	24.5 0.96	57.20 2.25	156 6.14	116 4.57	20 0.79	33 1.30	66.1 2.60	UCX09-45MM UCX09-27 UCX09-28	PXL09	
UCPX10-50MM UCPX10-31 UCPX10-32	50	1-15/16 2	241 9.49	73 2.87	27 1.06	63.50 2.500	171 6.73	126 4.96	20 0.79	37 1.46	69.9 2.75	UCX10-50MM UCX10-31 UCX10-32	PX10	4.8
UCPX11-55MM UCPX11-35 UCPX11-36	55	2-3/16 2-1/4	260 10.24	79 3.11	30 1.18	69.80 2.748	184 7.24	139 5.47	25 0.98	37 1.46	79.2 3.12	UCX11-55MM UCX11-35 UCX11-36	PX11	6.1
UCPX12-60MM UCPX12-39	60	2-7/16	286 11.26	83 3.27	32 1.26	76.20 3.000	203 7.99	151 5.94	25 0.98	41 1.61	81.2 3.2	UCX12-60MM UCX12-39	PX12	7.1
UCPX13-60MM UCPX13-65MM UCPX13-39 UCPX13-40	60 65	2-7/16 2-1/2	286 11.26	83 3.27	32 1.26	76.20 3.000	203 7.99	151 5.94	25 0.98	41 1.61	85.9 3.38	UCX13-60MM UCX13-65MM UCX13-39 UCX13-40	PX13	7.4
UCPX14-70MM UCPX14-43	70	2-11/16	330 12.99	89 3.50	35 1.38	88.90 3.500	229 9.02	172 6.77	27 1.06	51 2.01	89.0 3.50	UCX14-70MM UCX14-43	PX14	8.6
UCPX15-75MM UCPX15-47 UCPX15-48	75	2-15/16 3	330 12.99	89 3.5	35 1.38	88.90 3.500	232 9.13	174 6.85	27 1.06	51 2.01	93.8 3.69	UCX15-75MM UCX15-47 UCX15-48	PX15	10.6
UCPX17-85MM UCPX17-55 UCPX17-56	85	3-7/16 3-1/2	381 15.0	102 4.02	42 1.65	101.60 4.000	283 11.14	202 7.95	27 1.06	59 2.32	107.3 4.22	UCX17-85MM UCX17-55 UCX17-56	PX17	16.2
UCPX18-90MM UCPX18-56	90	3-1/2	381 15.0	111 4.37	45 1.77	101.60 4.000	283 11.14	206 8.11	27 1.06	60 2.36	116.6 4.59	UCX18-90MM UCX18-56	PX18	17.6
UCPX20-100MM UCPX20-63 UCPX20-64	100	3-15/16 4	432 17.0	121 4.76	52 2.05	127.00 5.000	337 13.27	250 9.84	33 1.30	64 2.52	128.2 5.05	UCX20-100MM UCX20-63 UCX20-64	PX20	29.8

Note: PXL Housing allows lower center height.

# Pillow Block

## UCP 300 PTI Series

Heavy Duty Bearing

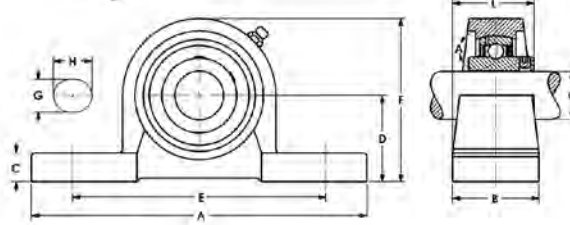
Cast Iron Housing

Set Screw Lock

Metric and Inch Bores



Models Available



Part No.	Shaft Size d		Dimensions (mm) (in)									Bearing No.	Housing No.	Wt. kg
	mm	in	A	B	C	D	E	F	G	H	L			
UCP305-25MM	25		175	45	15	45	132	85	17	20	45.5	UC305-25MM	P305	1.4
UCP305-16		1	6.88	1.77	0.59	1.77	5.25	3.35	0.7	0.8	1.8	UC305-16		
UCP306-30MM	30		180	50	18	50	140	95	17	20	51	UC306-30MM	P306	2.0
UCP306-18		1-1/8	7.09	1.97	0.71	1.97	5.5	3.74	0.7	0.8	2.0	UC306-18		
UCP306-19		1-3/16										UC306-19		
UCP307-35MM	35		210	56	20	56	160	106	17	25	57	UC307-35MM	P307	2.6
UCP307-20		1-1/4	8.27	2.20	0.79	2.20	6.25	4.17	0.7	1.0	2.2	UC307-20		
UCP307-22		1-3/8										UC307-22		
UCP307-23		1-7/16										UC307-23		
UCP308-40MM	40		220	60	22	60	170	116	17	27	63	UC308-40MM	P308	3.4
UCP308-24		1-1/2	8.66	2.36	0.87	2.36	6.75	4.6	0.7	1.1	2.5	UC308-24		
UCP309-45MM	45		245	67	24	67	190	129	20	30	68.5	UC309-45MM	P309	4.4
UCP309-27		1-11/16	9.65	2.64	0.94	2.64	7.5	5.08	0.8	1.2	2.7	UC309-27		
UCP309-28		1-3/4										UC309-28		
UCP310-50MM	50		275	75	27	75	212	143	20	35	76.5	UC310-50MM	P310	6.0
UCP310-30		1-7/8	10.83	2.95	1.06	2.95	8.375	5.6	0.8	1.4	3.0	UC310-30		
UCP310-31		1-15/16										UC310-31		
UCP311-55MM	55		310	80	30	80	236	154	20	38	81	UC311-55MM	P311	7.6
UCP311-32		2	12.20	3.15	1.18	3.15	9.25	6.1	0.8	1.5	3.2	UC311-32		
UCP311-35		2-3/16										UC311-35		
UCP312-60MM	60		330	85	32	85	250	165	25	38	87.5	UC312-60MM	P312	9.3
UCP312-39		2-7/16	12.99	3.35	1.26	3.35	9.875	6.5	1.0	1.5	3.4	UC312-39		
UCP313-65MM	65		340	90	33	90	260	176	25	38	90	UC313-65MM	P313	11.0
UCP313-40		2-1/2	13.38	3.54	1.30	3.54	10.25	6.93	1.0	1.5	3.5	UC313-40		
UCP314-70MM	70		360	90	35	95	280	187	27	40	90	UC314-70MM	P314	13.0
UCP314-44		2-3/4	14.19	3.54	1.38	3.74	11	7.36	1.1	1.6	3.5	UC314-44		
UCP315-75MM	75		380	100	35	100	290	198	27	40	100	UC315-75MM	P315	15.0
UCP315-47		2-15/16	14.96	3.94	1.38	3.94	11.375	7.80	1.1	1.6	3.9	UC315-47		
UCP315-48		3										UC315-48		
UCP316-80MM	80		400	110	40	106	300	210	27	40	107	UC316-80MM	P316	18.0
UCP316-51		3-3/16	15.75	4.33	1.57	4.17	11.75	8.27	1.1	1.6	4.2	UC316-51		
UCP317-85MM	85		420	110	40	112	320	220	33	45	111	UC317-85MM	P317	21.0
UCP317-52		3-1/4	16.56	4.33	1.57	4.41	12.625	8.7	1.3	1.8	4.4	UC317-52		
UCP318-90MM	90		430	110	45	118	330	235	33	45	111	UC318-90MM	P318	23.0
UCP318-56		3-1/2	16.94	4.33	1.77	4.65	13	9.25	1.3	1.8	4.4	UC318-56		
UCP319-95MM	95		470	120	45	125	360	250	36	50	122	UC319-95MM	P319	29.0
UCP319-60		3-3/4	18.5	4.72	1.77	4.92	14.128	9.8	1.4	2.0	4.8	UC319-60		
UCP320-100MM	100		490	120	50	140	380	275	36	50	126	UC320-100MM	P320	35.0
UCP320-63		3-15/16	19.29	4.72	1.97	5.51	15	10.8	1.4	2.0	5.0	UC320-63		
UCP320-64		4										UC320-64		
UCP321-105MM	105	—	490	120	50	140	380	280	36	50	128	UC321-105MM	P321	37.0
UCP324-120MM	120	—	570	140	65	160	450	320	40	55	145	UC324-120MM	P324	58.0
UCP326-130MM	130	—	600	140	75	180	480	355	40	55	151	UC326-130MM	P326	75.0
UCP328-140MM	140	—	620	140	75	200	500	390	40	55	156	UC328-140MM	P328	93.0

# Pillow Block

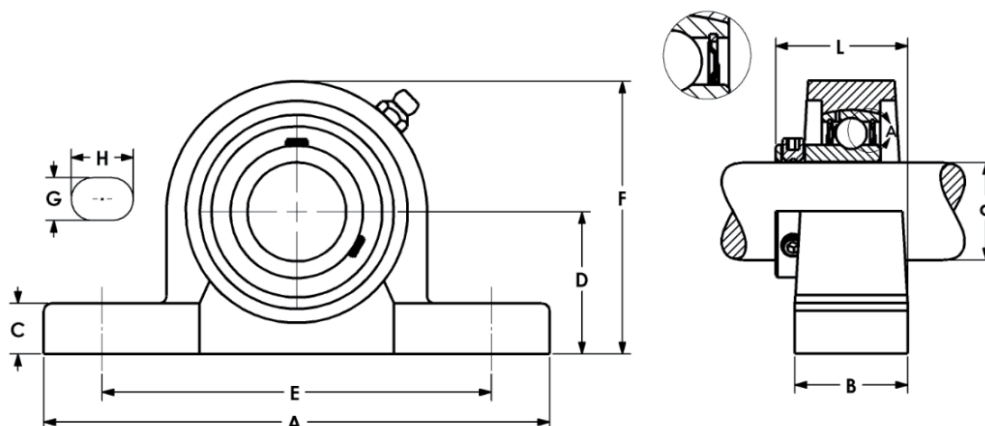


## LLP Euro Series

Normal Duty Euro Bearing  
 Low Center Height, Narrow Housing  
 Cast Iron Housing  
 Set Screw Lock  
 Metric and Inch Bores  
 Nylon Cage



Models Available



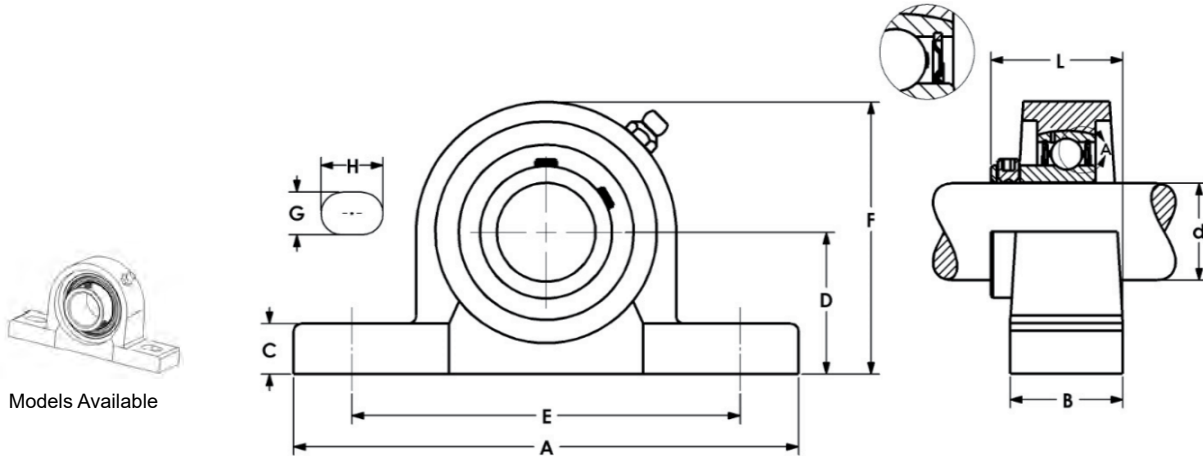
Part No.	Shaft Size d		Dimensions (mm) (in)									Bearing No.	Housing No.	Wt. kg
	mm	in	A	B	C	D	E	F	G	H	L			
LLP201 x 12SMM	12		114	25	12	30.16	87	57	11	16	28.5	SB201 x 12SMM	LLP203	
LLP202 x 15SMM	15											SB202 x 15SMM		
LLP203 x 17SMM	17											SB203 x 17SMM		
LLP201 x 1/2S		1/2	4.49	0.98	0.47	1.187	3.43	2.24	0.43	0.63	1.12	SB201 x 1/2S	LLP203	
LLP202 x 5/8S		5/8										SB202 x 5/8S		
LLP203 x 11/16S		11/16										SB203 x 11/16S		
LLP204 x 20SMM	20		125	27	13	33.33	97	64	11	16	31.5	SB208 x 40MM	LLP204	
LLP204 x 3/4		3/4	4.92	1.06	0.51	1.312	3.82	2.52	0.43	0.63	1.24	SB208 x 1-1/2		
LLP205 x 25SMM	25		130	29	13	36.5	100	70	11	16	34	SB205 x 25MM	LLP205	
LLP205 x 7/8S		7/8	5.12	1.14	0.51	1.437	3.94	2.76	0.43	0.63	1.34	SB205 x 7/8		
LLP205 x 15/16S		15/16										SB205 x 15/16		
LLP205 x 1S		1										SB205 x 1		
LLP206 x 30SMM	50		156	33	15	42.86	120	83	14	21	37.5	SB206 x 30MM	LLP206	
LLP206 x 1-1/8S		1-1/8	6.14	1.30	0.59	1.687	4.74	3.27	0.55	0.83	1.48	SB206 x 1-1/8		
LLP206 x 1-3/16S		1-3/16										SB206 x 1-3/16		
LLP206 x 1-1/4S		1-1/4										SB206 x 1-1/4		
LLP207 x 35SMM	35		165	35	16	47.62	127	92	14	21	43	SB207 x 35MM	LLP207	
LLP207 x 1-1/4S		1-1/4	6.50	1.38	0.63	1.875	5	3.62	0.55	0.38	1.69	SB207 x 1-1/4		
LLP207 x 1-3/8S		1-3/8										SB207 x 1-3/8		
LLP207 x 1-7/16S		1-7/16										SB207 x 1-7/16		
LLP208 x 40SMM	40		184	37	18	50.8	140	102	14	21	47.5	SB208 x 40MM	LLP208	
LLP208 x 1-1/2S		1-1/2	7.24	1.46	0.71	2.00	5.51	4.02	0.55	0.83	1.87	SB208 x 1-1/2		

# Pillow Block



## LLP PTI Series

- Normal Duty Euro Bearing
- Low Center Height, Narrow Housing
- Cast Iron Housing
- Set Screw Lock
- Metric and Inch Bores
- Steel Cage



Part No.	Shaft Size d		Dimensions (mm) (in)									Bearing No.	Housing No.	Wt. kg
	mm	in	A	B	C	D	E	F	G	H	L			
LLP201-12SMM	12		114	25	12	30.16	87	57	11	16	28.5	SB201-12SMM	LLP203	
LLP202-15SMM	15											SB202-15SMM		
LLP203-17SMM	17											SB203-17SMM		
LLP201-8S		1/2	4.49	0.98	0.47	1.187	3.43	2.24	0.43	0.63	1.12	SB201-8		
LLP202-10S		5/8										SB202-10		
LLP203-11S		11/16										SB203-11		
LLP204-20SMM	20		125	27	13	33.33	97	64	11	16	31.5	SB208-40MM	LLP204	
LLP204-12S		3/4	4.92	1.06	0.51	1.312	3.82	2.52	0.43	0.63	1.24	SB208-12		
LLP205-25SMM	25		130	29	13	36.5	100	70	11	16	34	SB205-25MM	LLP205	
LLP205-14S		7/8	5.12	1.14	0.51	1.437	3.94	2.76	0.43	0.63	1.34	SB205-14		
LLP205-15S		15/16										SB205-15		
LLP205-16S		1										SB205-16		
LLP206-30SMM	50		156	33	15	42.86	120	83	14	21	37.5	SB206-30MM	LLP206	
LLP206-17S		1-1/16	6.14	1.30	0.59	1.687	4.74	3.27	0.55	0.83	1.48	SB206-17		
LLP206-18S		1-1/8										SB206-18		
LLP206-19S		1-3/16										SB206-19		
LLP206-20S		1-1/4										SB206-20		
LLP207-35SMM	35		165	35	16	47.62	127	92	14	21	43	SB207-35MM	LLP207	
LLP207-20S		1-1/4	6.50	1.38	0.63	1.875	5	3.62	0.55	0.38	1.69	SB207-20		
LLP207-22S		1-3/8										SB207-22		
LLP207-23S		1-7/16										SB207-23		
LLP208-40SMM	40		184	37	18	50.8	140	102	14	21	47.5	SB208-40MM	LLP208	
LLP208-24S		1-1/2	7.24	1.46	0.71	2.00	5.51	4.02	0.55	0.83	1.87	SB208-24		

# Pressed Steel Pillow Block

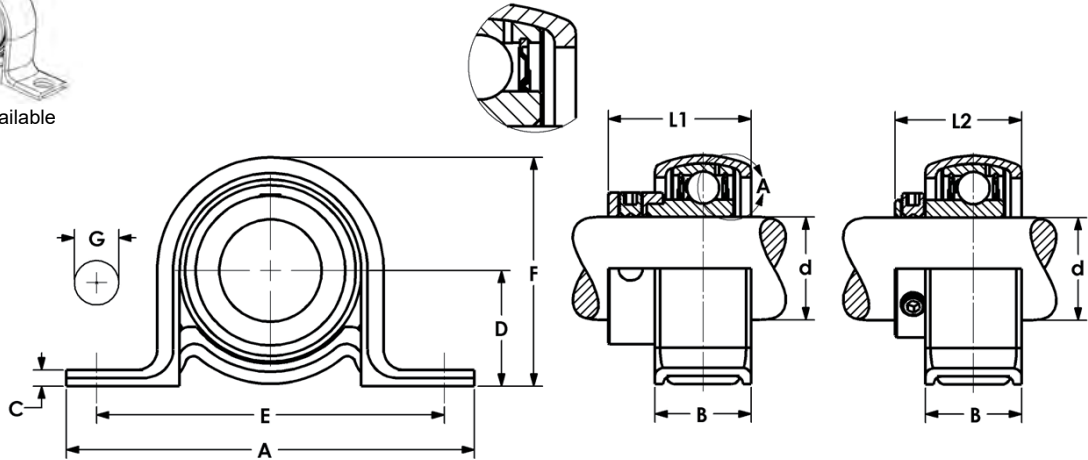


## BS 200 Euro Series

Normal Duty Bearing  
2 pc Snap Fit Steel Housing  
Set Screw and Eccentric Lock  
Metric and Inch Bores



Models Available



Part No.		Shaft Size d		Dimensions (mm) (in)							Bearing Part No.		Housing No.	Wt. kg		
Eccentric	Set Screw	mm	in	A	B	C	D	E	F	G	L <sub>1</sub>	L <sub>2</sub>			Eccentric	Set Screw
BS201 x 12MM	BS201 x 12SMM	12		86	25	3.2	22.2	68	43.8	9.0	34.6	28.5	SA201 x 12MM	SB201 x 12MM	BS203(40)	0.2
BS202 x 15MM	BS202 x 15SMM	15											SA202 x 15MM	SB202 x 15MM		
BS203 x 17MM	BS203 x 17SMM	17											SA203 x 17MM	SB203 x 17MM		
BS201 x 1/2	BS201 x 1/2S		1/2	3.38	1.0	0.13	0.875	2.67	1.72	0.35	1.36	1.12	SA201 x 1/2	SB201 x 1/2	BS204	0.3
BS202 x 5/8	BS202 x 5/8S		5/8										SA202 x 5/8	SB202 x 5/8		
BS203 x 11/16	BS203 x 11/16S		11/16										SA203 x 11/16	SB203 x 11/16		
BS204 x 20MM	BS204 x 20SMM	20		98	32	3.2	25.4	76	50.5	9.5	39.5	34	SA204 x 20MM	SB204 x 20MM	BS205	0.5
BS204 x 3/4	BS204 x 3/4S		3/4	3.86	1.26	0.13	1.000	2.99	1.99	0.37	1.56	1.34	SA204 x 3/4	SB204 x 3/4		
BS205 x 25MM	BS205 x 25SMM	25		108	32	4.0	28.6	86	56.6	11	39.5	35.5	SA205 x 25MM	SB205 x 25MM		
BS205 x 7/8	BS205 x 7/8S		7/8	4.25	1.26	0.16	1.125	3.39	2.23	0.43	1.56	1.4	SA205 x 7/8	SB205 x 7/8	BS206	0.7
BS205 x 15/16	BS205 x 15/16S		15/16										SA205 x 15/16	SB205 x 15/16		
BS205 x 1	BS205 x 1S		1										SA205 x 1	SB205 x 1		
BS206 x 30MM	BS206 x 30SMM	30		117	38	4.0	33.3	95	66.3	11	45.7	40	SA206 x 30MM	SB206 x 30MM	BS207	0.9
BS206 x 1-1/8	BS206 x 1-1/8S		1-1/8	4.61	1.50	0.16	1.312	3.74	2.62	0.43	1.8	1.57	SA206 x 1-1/8	SB206 x 1-1/8		
BS206 x 1-3/16	BS206 x 1-3/16S		1-3/16										SA206 x 1-3/16	SB206 x 1-3/16		
BS206 x 1-1/4	BS206 x 1-1/4S		1-1/4										SA206 x 1-1/4	SB206 x 1-1/4		
BS207 x 35MM	BS207 x 35SMM	35		129	42	4.6	39.7	106	78	11	50.4	46.5	SA207 x 35MM	SB207 x 35MM	BS207	0.9
BS207 x 1-1/4	BS207 x 1-1/4S		1-1/4	5.08	1.65	0.18	1.562	4.17	3.07	0.43	1.98	1.83	SA207 x 1-1/4	SB207 x 1-1/4		
BS207 x 1-3/8	BS207 x 1-3/8S		1-3/8										SA207 x 1-3/8	SB207 x 1-3/8		
BS207 x 1-7/16	BS207 x 1-7/16S		1-7/16										SA207 x 1-7/16	SB207 x 1-7/16		



# Pressed Steel Pillow Block

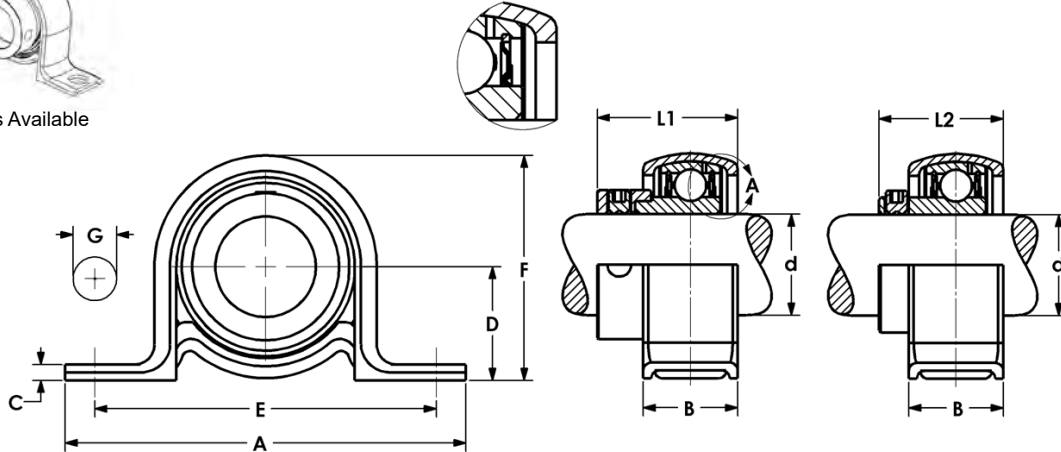


## BS 200 PTI Series

Normal Duty Bearing  
2 pc Snap Fit Steel Housing  
Set Screw and Eccentric Lock  
Metric and Inch Bores



Models Available



Part No.		Shaft Size d		Dimensions (mm) (in)								Bearing Part No.		Housing No.	Wt. kg	
Eccentric	Set Screw	mm	in	A	B	C	D	E	F	G	L <sub>1</sub>	L <sub>2</sub>	Eccentric			Set Screw
BS201-12MM	BS201-12SMM	12		86	25	3.2	22.2	68	43.8	9.0	35.1	28.5	SA201-12MM	SB201-12MM	BS203(40)	0.2
BS202-15MM	BS202-15SMM	15											SA202-15MM	SB202-15MM		
BS203-17MM	BS203-17SMM	17											SA203-17MM	SB203-17MM		
BS201-8	BS201-8S		1/2	3.38	1.0	0.13	0.875	2.67	1.72	0.35	1.38	1.12	SA201-8	SB201-8		
BS202-10	BS202-10S		5/8										SA202-10	SB202-10		
BS203-11	BS203-11S		11/16										SA203-11	SB203-11		
BS204-20MM	BS204-20SMM	20		98	32	3.2	25.4	76	50.5	9.5	40	34	SA204-20MM	SB204-20MM	BS204	0.3
BS204-12	BS204-12S		3/4	3.86	1.26	0.13	1.000	2.99	1.99	0.37	1.57	1.34	SA204-12	SB204-12		
BS205-25MM	BS205-25SMM	25		108	32	4.0	28.6	86	56.6	11	39.5	35.5	SA205-25MM	SB205-25MM	BS205	0.5
BS205-14	BS205-14S		7/8	4.25	1.26	0.16	1.125	3.39	2.23	0.43	1.56	1.4	SA205-14	SB205-14		
BS205-15	BS205-15S		15/16										SA205-15	SB205-15		
BS205-16	BS205-16S		1										SA205-16	SB205-16		
BS206-30MM	BS206-30SMM	30		117	38	4.0	33.3	95	66.3	11	46.7	41	SA206-30MM	SB206-30MM	BS206	0.7
BS206-18	BS206-18S		1-1/8	4.61	1.50	0.16	1.312	3.74	2.62	0.43	1.84	1.61	SA206-18	SB206-18		
BS206-19	BS206-19S		1-3/16										SA206-19	SB206-19		
BS206-20	BS206-20S		1-1/4										SA206-20	SB206-20		
BS207-35MM	BS207-35SMM	35		129	42	4.6	39.7	106	78	11	51.4	44.5	SA207-35MM	SB207-35MM	BS207	0.9
BS207-20	BS207-20S		1-1/4	5.08	1.65	0.18	1.562	4.17	3.07	0.43	2.02	1.75	SA207-20	SB207-20		
BS207-22	BS207-22S		1-3/8										SA207-22	SB207-22		
BS207-23	BS207-23S		1-7/16										SA207-23	SB207-23		

# Light Duty Pillow Block



## UP 000 PTI Series

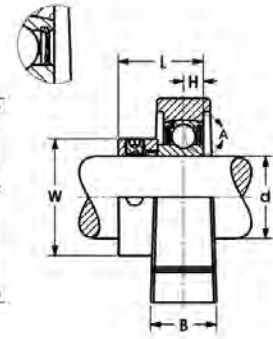
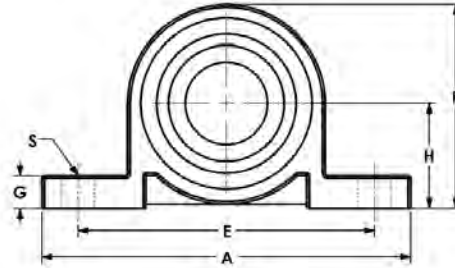
### Extra Narrow Width Eccentric Collar Lock

Rustproof zinc alloy housings

Bearings are high carbon chromium bearing steel



Models Available



Part No.	Shaft Size d		Dimensions (mm)										Bolt Size mm	Bearing No.	Housing No.	Wt. kg
	mm	in	A	B	E	F	G	H	L	N	S	W				
UP000-10MM	10	-	67	16	53	35	6	18	17.5	4	7	17	M 6	U000-10MM	P000	0.1
UP001-12MM	12	-	71	16	56	38	6	19	17.5	4	7	19	M 6	U001-12MM	P001	0.1
UP002-15MM	15	-	80	16	63	43	7	22	18.5	4.5	7	22	M 6	U002-15MM	P002	0.1
UP003-17MM	17	-	85	18	67	47	7	24	20.5	5	7	25	M 6	U003-17MM	P003	0.2
UP004-20MM	20	-	100	20	80	55	9	28	24.5	6	10	30	M 8	U004-20MM	P004	0.2
UP004-12		3/4												U004-12		
UP005-25MM	25	-	112	20	90	62	10	32	25.5	6	10	36	M 8	U005-25MM	P005	0.3
UP005-16		1												U005-16		
UP006-30MM	30	-	132	26	106	70	11	36	26.5	6.5	13	42	M 10	U006-30MM	P006	0.5

## KP 000 PTI Series

### Extra Narrow Width Set Screw Lock

Rustproof zinc alloy housings

Bearings are high carbon chromium bearing steel



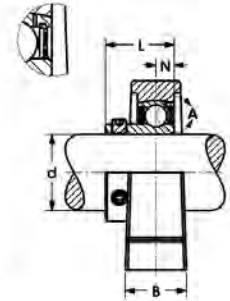
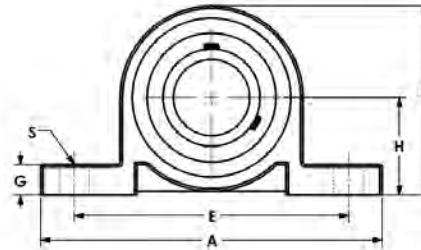
Standard



Corrosion Resistant

Stainless Steel Option

Corrosion Resistant Plated Housing & Stainless Steel Insert also available. Add "CR" suffix to Part No. when ordering.



Standard Part No.	Corrosion Resistant Part No.	Shaft Size d		Dimensions (mm)								Bolt Size mm	Standard Bearing No.	Stainless Bearing No.	Housing No.	Wt. kg	
		mm	in	A	B	E	F	G	H	L	N						S
KP000-10MM	KP000-10MM-CR	10	-	67	16	53	35	6	18	14	4	7	M 6	K000-10MM	K000-10MM-CR	P000	0.1
KP001-12MM	KP001-12MM-CR	12	-	71	16	56	38	6	19	14.5	4	7	M 6	K001-12MM	K001-12MM-CR	P001	0.1
KP002-15MM	KP002-15MM-CR	15	-	80	16	63	43	7	22	16.5	4.5	7	M 6	K002-15MM	K002-15MM-CR	P002	0.1
KP003-17MM	KP003-17MM-CR	17	-	85	18	67	47	7	24	17.5	5	7	M 6	K003-17MM	K003-17MM-CR	P003	0.2
KP004-20MM	KP004-20MM-CR	20	-	100	20	80	55	9	28	21	6	10	M 8	K004-20MM	K004-20MM-CR	P004	0.2
KP004-12	KP004-12-CR		3/4											K004-12	K004-12-CR		
KP005-25MM	KP005-25MM-CR	25	-	112	20	90	62	10	32	22.5	6	10	M 8	K005-25MM	K005-25MM-CR	P005	0.3
KP005-16	KP005-16-CR		1											K005-16	K005-16-CR		
KP006-30MM	KP006-30MM-CR	30	-	132	26	106	70	11	36	24.5	6.5	13	M 10	K006-30MM	K006-30MM-CR	P006	0.5

# Pressed Steel Pillow Block with Rubber Isolator



## BSR 200 PTI Series

- Normal Duty Bearing
- Rubber Isolated Insert, Non-conductive
- 2 pc Snap Fit Steel Housing
- Eccentric Collar & Set Screw Lock
- Metric and Inch Bores

The Non-Conductive Rubber Isolator fits snugly over the bearing and is clamped within the housing to cushion vibration.



Eccentric Lock



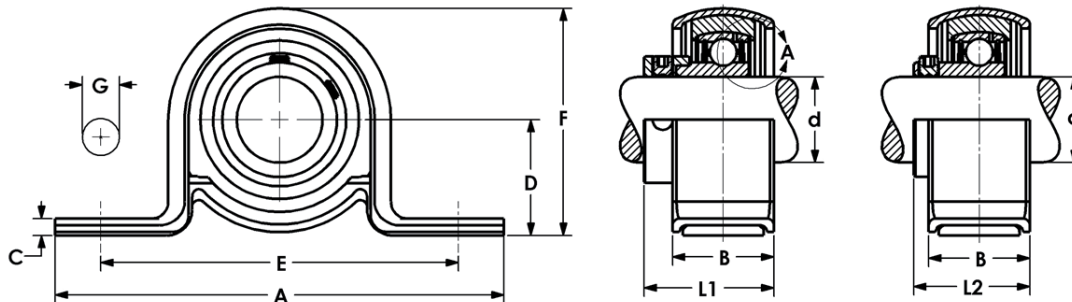
Set Screw Lock



Rubber Isolator



Models Available



Part No.		Shaft Size d		Dimensions (mm) (in)									Housing No.	Eccentric Bearing No.	Set Screw Bearing No.	Rubber Isolator Part No.	Wt. kg
Eccentric	Set Screw	mm	in	A	B	C	D	E	F	G	L <sub>1</sub>	L <sub>2</sub>					
BSR204-20MM	BSR204-20SMM	20		108	32	4.0	28.6	86	56.6	11	40	34	BS205	SA204-20MM	SB204-20MM	RBR4	0.3
BSR204-12	BSR204-12S		3/4	4.25	1.26	0.16	1.125	3.39	2.23	0.43	1.57	1.34		SA204-12	SB204-12		
BSR205-25MM	BSR205-25SMM	25		117	38	4.0	33.3	95	66.3	11	42.5	38.5	BS206	SA205-25MM	SB205-25MM	RBR5	0.5
BSR205-14	BSR205-14S		7/8	4.61	1.50	0.16	1.312	3.74	2.62	0.43	1.67	1.52		SA205-14	SB205-14		
BSR205-15	BSR205-15S		15/16											SA205-15	SB205-15		
BSR205-16	BSR205-16S		1											SA205-16	SB205-16		
BSR206-30MM	BSR206-30SMM	30		129	42	4.6	39.7	106	78	11	48.7	43	BS207	SA206-30MM	SB206-30MM	RBR6	0.7
BSR206-18	BSR206-18S		1-1/8	5.08	1.65	0.18	1.562	4.17	3.07	0.43	1.92	1.69		SA206-18	SB206-18		
BSR206-19	BSR206-19S		1-3/16											SA206-19	SB206-19		
BSR206-20	BSR206-20S		1-1/4											SA206-20	SB206-20		

Note: Larger sizes on request.

# Tapped Base Pillow Block



## TB 200 Euro Series

Normal Duty Bearing

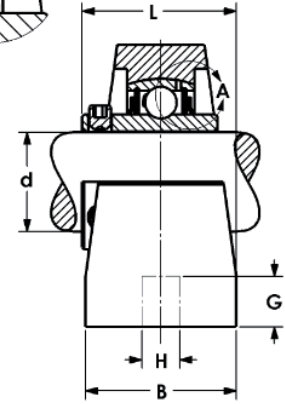
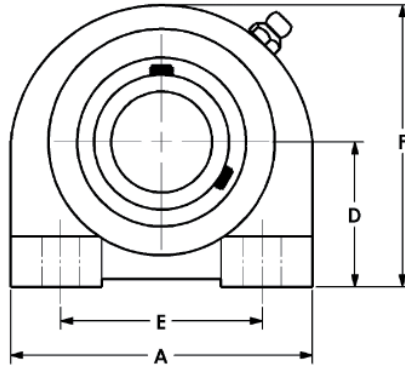
Cast Iron Housing

Set Screw Lock

Metric and Inch Bores



Models Available



Part No.	Shaft Size d		Dimensions (mm) (in)								Bearing No.	Housing No.	Wt. kg
	mm	in	A	B	D	E	F	G	H	L			
TB204 x 20UMM	20		73	38	33.3	50.8	65	12.7		37.3	UC204 x 20MM	TB204	0.7
TB204 x 3/4U		3/4	2.87	1.5	1.312	2.0	2.56	0.50	3/8-16	1.4	UC204 x 3/4		
TB205 x 25UMM	25		76	38	36.5	50.8	71	12.7		38.8	UC205 x 25MM	TB205	0.8
TB205 x 7/8U		7/8	2.99	1.5	1.437	2.0	2.80	0.50	3/8-16	1.53	UC205 x 7/8		
TB205 x 15/16U		15/16									UC205 x 15/16		
TB205 x 1U		1									UC205 x 1		
TB206 x 30UMM	30		102	38	42.9	76.2	87	16		41.2	UC206 x 30MM	TB206	1.3
TB206 x 1-1/8U		1-1/8	4.02	1.5	1.687	3.0	3.42	0.63	7/16-14	1.62	UC206 x 1-1/8		
TB206 x 1-3/16U		1-3/16									UC206 x 1-3/16		
TB206 x 1-1/4U		1-1/4									UC206 x 1-1/4		
TB207 x 35UMM	35		108	48	47.6	82.6	95	19		49.4	UC207 x 35MM	TB207	1.7
TB207 x 1-1/4U		1-1/4	4.25	1.9	1.875	3.25	3.7	0.75	1/2-13	1.94	UC207 x 1-1/4		
TB207 x 1-3/8U		1-3/8									UC207 x 1-3/8		
TB207 x 1-7/16U		1-7/16									UC207 x 1-7/16		
TB208 x 40UMM	40		117	48	49.2	88.9	100	19		54.2	UC208 x 40MM	TB208	2.0
TB208 x 1-1/2U		1-1/2	4.63	1.9	1.937	3.5	3.9	0.75	1/2-13	2.13	UC208 x 1-1/2		
TB209 x 45UMM	45		127	51	54.0	95.3	108	19		55.7	UC209 x 45MM	TB209	2.3
TB209 x 1-5/8U		1-5/8	5.00	2.01	2.125	3.75	4.2	0.75	1/2-13	2.19	UC209 x 1-5/8		
TB209 x 1-11/16U		1-11/16									UC209 x 1-11/16		
TB209 x 1-3/4U		1-3/4									UC209 x 1-3/4		
TB210 x 50UMM	50		140	51	57.2	101.6	117.5	22		58.1	UC210 x 50MM	TB210	2.9
TB210 x 1-7/8U		1-7/8	5.51	2.01	2.250	4.0	4.63	0.87	5/8-11	2.29	UC210 x 1-7/8		
TB210 x 1-15/16U		1-15/16									UC210 x 1-15/16		
TB210 x 2U		2									UC210 x 2		

Note: Eccentric and Adapter Lock Bearings also available from stock.

# Tapped Base Pillow Block

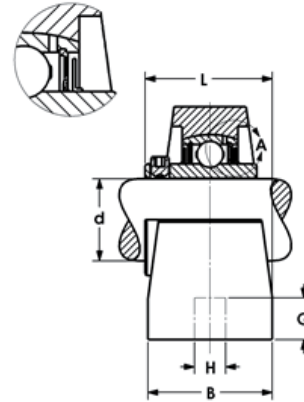
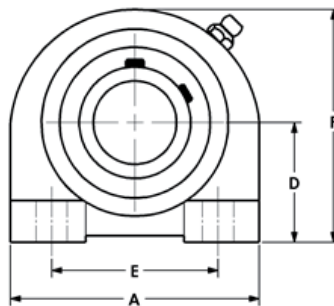


## TB 200 PTI Series

- Normal Duty Bearing
- Cast Iron Housing
- Set Screw Lock
- Metric and Inch Bores



Models Available



Part No.	Shaft Size d		Dimensions (mm) (in)								Bearing No.	Housing No.	Wt. kg
	mm	in	A	B	D	E	F	G	H	L			
TB201-12UMM	12		73	38	33.3	50.8	65	12.7		37.3	UC201-12MM UC202-15MM UC203-17MM UC201-8 UC202-10 UC203-11	TB204	0.7
TB202-15UMM	15												
TB203-17UMM	17												
TB201-8U		1/2	2.87	1.5	1.312	2.0	2.56	0.50	3/8-16	1.47			
TB202-10U		5/8											
TB203-11U		11/16											
TB204-20UMM	20		73	38	33.3	50.8	65	12.7		37.3	UC204-20MM UC204-12	TB204	0.7
TB204-12U		3/4	2.87	1.5	1.312	2.0	2.56	0.50	3/8-16	1.4			
TB205-25UMM	25		76	38	36.5	50.8	71	12.7		38.8	UC205-25MM UC205-14 UC205-15 UC205-16	TB205	0.8
TB205-14U		7/8	2.99	1.5	1.437	2.0	2.80	0.50	3/8-16	1.53			
TB205-15U		15/16											
TB205-16U		1											
TB206-30UMM	30		102	38	42.9	76.2	87	16		41.2	UC206-30MM UC206-18 UC206-19 UC206-20	TB206	1.3
TB206-18U		1-1/8	4.02	1.5	1.687	3.0	3.42	0.63	7/16-14	1.62			
TB206-19U		1-3/16											
TB206-20U		1-1/4											
TB207-35UMM	35		108	48	47.6	82.6	95	19		49.4	UC207-35MM UC207-20 UC207-22 UC207-23	TB207	1.7
TB207-20U		1-1/4	4.25	1.9	1.875	3.25	3.7	0.75	1/2-13	1.94			
TB207-22U		1-3/8											
TB207-23U		1-7/16											
TB208-40UMM	40		117	48	49.2	88.9	100	19		54.2	UC208-40MM UC208-24	TB208	2.0
TB208-24U		1-1/2	4.63	1.9	1.937	3.5	3.9	0.75	1/2-13	2.13			
TB209-45UMM	45		127	51	54.0	95.3	108	19		55.7	UC209-45MM UC209-26 UC209-27 UC209-28	TB209	2.3
TB209-26U		1-5/8	5.00	2.01	2.125	3.75	4.2	0.75	1/2-13	2.19			
TB209-27U		1-11/16											
TB209-28U		1-3/4											
TB210-50UMM	50		140	51	57.2	101.6	117.5	22		58.1	UC210-50MM UC210-30 UC210-31 UC210-32	TB210	2.9
TB210-30U		1-7/8	5.51	2.01	2.250	4.0	4.63	0.87	5/8-11	2.29			
TB210-31U		1-15/16											
TB210-32U		2											

Note: Eccentric and Adapter Lock Bearings also available from stock.

# Tapped Base Pillow Block



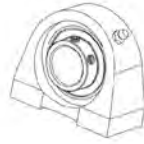
## PA 200 Euro Series

Normal Duty Bearing

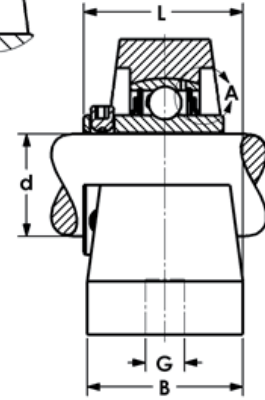
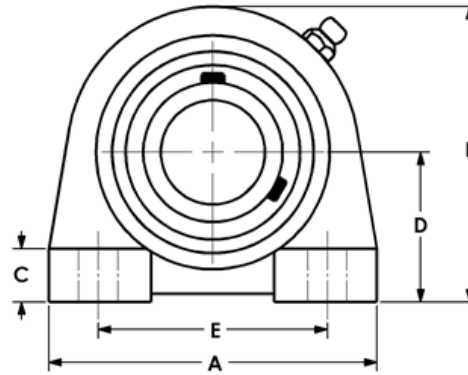
Cast Iron Housing

Set Screw Lock

Metric and Inch Bores



Models Available



Part No.	Shift Size d		Dimensions (mm) (in)								Bearing No.	Housing No.	Wt. kg
	mm	in	A	B	C	D	E	F	G*	L			
UCPA204 x 20MM	20		74	38	13	30.2	51.9	62	—	37.3	UC204 x 20MM	PA204	0.7
UCPA204 x 3/4		3/4	2.91	1.5	0.51	1.19	2.04	2.44	3/8-16	1.47	UC204 x 3/4		
UCPA205 x 25MM	25		80	38	13	36.5	55.9	72	—	38.8	UC205 x 25MM	PA205	0.8
UCPA205 x 7/8		7/8	3.15	1.5	0.51	1.44	2.20	2.83	3/8-16	1.53	UC205 x 7/8		
UCPA205 x 15/16		15/16									UC205 x 15/16		
UCPA205 x 1		1									UC205 x 1		
UCPA206 x 30MM	30		94	48	16	42.9	65.9	84	—	41.2	UC206 x 30MM	PA206	1.3
UCPA206 x 1-1/8		1-1/8	3.70	1.89	0.63	1.69	2.59	3.31	7/16-14	1.62	UC206 x 1-1/8		
UCPA206 x 1-3/16		1-3/16									UC206 x 1-3/16		
UCPA206 x 1-1/4		1-1/4									UC206 x 1-1/4		
UCPA207 x 35MM	35		110	48	19	47.6	80.2	95	—	49.4	UC207 x 35MM	PA207	1.7
UCPA207 x 1-1/4		1-1/4	4.33	1.89	0.75	1.87	3.16	3.74	1/2-13	1.94	UC207 x 1-1/4		
UCPA207 x 1-3/8		1-3/8									UC207 x 1-3/8		
UCPA207 x 1-7/16		1-7/16									UC207 x 1-7/16		
UCPA208 x 40MM	40		117	54	19	49.2	84.1	100	—	54.2	UC208 x 40MM	PA208	2.0
UCPA208 x 1-1/2		1-1/2	4.61	2.13	0.75	1.94	3.31	3.94	1/2-13	2.13	UC208 x 1-1/2		
UCPA209 x 45MM	45		120	54	19	54.4	90.1	108	—	55.7	UC209 x 45MM	PA209	2.3
UCPA209 x 1-5/8		1-5/8	4.72	2.13	0.75	2.14	3.55	4.25	1/2-13	2.19	UC209 x 1-5/8		
UCPA209 x 1-11/16		1-11/16									UC209 x 1-11/16		
UCPA209 x 1-3/4		1-3/4									UC209 x 1-3/4		
UCPA210 x 50MM	50		130	60	22	57.2	94.1	117	—	58.1	UC210 x 50MM	PA210	2.9
UCPA210 x 1-7/8		1-7/8	5.12	2.36	0.87	2.25	3.70	4.61	5/8-11	2.29	UC210 x 1-7/8		
UCPA210 x 1-15/16		1-15/16									UC210 x 1-15/16		
UCPA210 x 2		2									UC210 x 2		

Note: Eccentric and Adapter Lock Bearings also available from stock. \*Metric Tapped Mounting Holes available in PA200M Series from stock

# Tapped Base Pillow Block

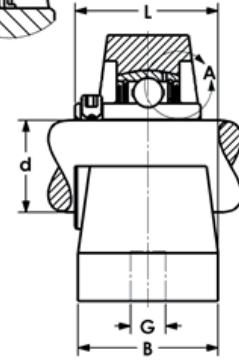
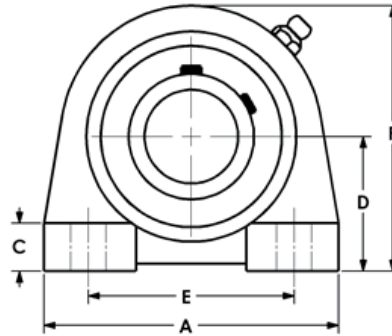


## PA 200 PTI Series

- Normal Duty Bearing
- Cast Iron Housing
- Set Screw Lock
- Metric and Inch Bores
- Inch Mounting Holes



Models Available



Part No.	Shaft Size d		Dimensions (mm) (in)								Bearing No.	Housing No.	Wt. kg
	mm	in	A	B	C	D	E	F	G*	L			
UCPA201-12MM	12		74	38	13	30.2	51.9	62	—	37.3	UC201-12MM UC202-15MM UC203-17MM	PA204	0.7
UCPA202-15MM	15												
UCPA203-17MM	17												
UCPA201-8		1/2	2.91	1.5	0.51	1.19	2.04	2.44	3/8-16	1.47	UC201-8	PA204	0.7
UCPA202-10		5/8											
UCPA203-11		11/16											
UCPA204-20MM	20		74	38	13	30.2	51.9	62	—	37.3	UC204-20MM	PA204	0.7
UCPA204-12		3/4	2.91	1.5	0.51	1.19	2.04	2.44	3/8-16	1.47	UC204-12		
UCPA205-25MM	25		80	38	13	36.5	55.9	72	—	38.8	UC205-25MM	PA205	0.8
UCPA205-14		7/8	3.15	1.5	0.51	1.44	2.20	2.83	3/8-16	1.53	UC205-14		
UCPA205-15		15/16									UC205-15		
UCPA205-16		1									UC205-16		
UCPA206-30MM	30		94	48	16	42.9	65.9	84	—	41.2	UC206-30MM	PA206	1.3
UCPA206-18		1-1/8	3.70	1.89	0.63	1.69	2.59	3.31	7/16-14	1.62	UC206-18		
UCPA206-19		1-3/16									UC206-19		
UCPA206-20		1-1/4									UC206-20		
UCPA207-35MM	35		110	48	19	47.6	80.2	95	—	49.4	UC207-35MM	PA207	1.7
UCPA207-20		1-1/4	4.33	1.89	0.75	1.87	3.16	3.74	1/2-13	1.94	UC207-20		
UCPA207-22		1-3/8									UC207-22		
UCPA207-23		1-7/16									UC207-23		
UCPA208-40MM	40		117	54	19	49.2	84.1	100	—	54.2	UC208-40MM	PA208	2.0
UCPA208-24		1-1/2	4.61	2.13	0.75	1.94	3.31	3.94	1/2-13	2.13	UC208-24		
UCPA209-45MM	45		120	54	19	54.4	90.1	108	—	55.7	UC209-45MM	PA209	2.3
UCPA209-26		1-5/8	4.72	2.13	0.75	2.14	3.55	4.25	1/2-13	2.19	UC209-26		
UCPA209-27		1-11/16									UC209-27		
UCPA209-28		1-3/4									UC209-28		
UCPA210-50MM	50		130	60	22	57.2	94.1	117	—	58.1	UC210-50MM	PA210	2.9
UCPA210-30		1-7/8	5.12	2.36	0.87	2.25	3.70	4.61	5/8-11	2.29	UC210-30		
UCPA210-31		1-15/16									UC210-31		
UCPA210-32		2									UC210-32		

Note: Eccentric and Adapter Lock Bearings also available from stock. \*Metric Tapped Mounting Holes available in PA200M Series from stock

# Tapped Base Pillow Block



## PA 200M Euro Series

Normal Duty Bearing

Cast Iron Housing

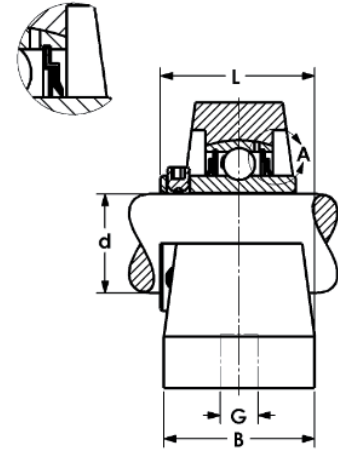
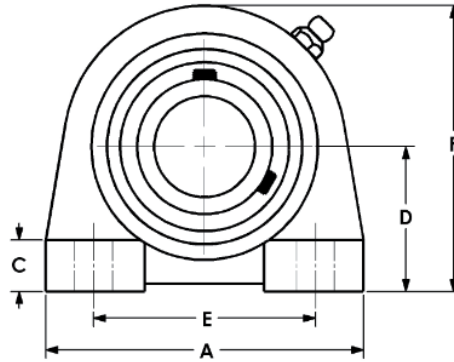
Set Screw Lock

Metric and Inch Bores

Metric Mounting Holes



Models Available



Part No.	Shift Size d		Dimensions (mm) (in)								Bearing No.	Housing No.	Wt. kg
	mm	in	A	B	C	D	E	F	G	L			
UCPA204M x 20MM	20		74	38	13	30.2	51.9	62	M10	37.3	UC204 x 20MM	PA20M	0.7
UCPA204M x 3/4		3/4	2.91	1.5	0.51	1.19	2.04	2.44		1.47	UC204 x 3/4		
UCPA205M x 25MM	25		80	38	13	36.5	55.9	72	M10	38.8	UC205 x 25MM	PA25M	0.8
UCPA205M x 7/8		7/8	3.15	1.5	0.51	1.44	2.20	2.83		1.53	UC205 x 7/8		
UCPA205M x 15/16		15/16									UC205 x 15/16		
UCPA205M x 1		1									UC205 x 1		
UCPA206M x 30MM	30		94	48	16	42.9	65.9	84	M10	41.2	UC206 x 30MM	PA30M	1.3
UCPA206M x 1-1/8		1-1/8	3.70	1.89	0.63	1.69	2.59	3.31		1.62	UC206 x 1-1/8		
UCPA206M x 1-3/16		1-3/16									UC206 x 1-3/16		
UCPA206M x 1-1/4		1-1/4									UC206 x 1-1/4		
UCPA207M x 35MM	35		110	48	19	47.6	80.2	95	M14	49.4	UC207 x 35MM	PA35M	1.7
UCPA207M x 1-1/4		1-1/4	4.33	1.89	0.75	1.87	3.16	3.74		1.94	UC207 x 1-1/4		
UCPA207M x 1-3/8		1-3/8									UC207 x 1-3/8		
UCPA207M x 1-7/16		1-7/16									UC207 x 1-7/16		
UCPA208M x 40MM	40		117	54	19	49.2	84.1	100	M14	54.2	UC208 x 40MM	PA40M	2.0
UCPA208M x 1-1/2		1-1/2	4.61	2.13	0.75	1.94	3.31	3.94		2.13	UC208 x 1-1/2		
UCPA209M x 45MM	45		120	54	19	54.4	90.1	108	M14	55.7	UC209 x 45MM	PA45M	2.3
UCPA209M x 1-5/8		1-5/8	4.72	2.13	0.75	2.14	3.55	4.25		2.19	UC209 x 1-5/8		
UCPA209M x 1-11/16		1-11/16									UC209 x 1-11/16		
UCPA209M x 1-3/4		1-3/4									UC209 x 1-3/4		
UCPA210M x 50MM	50		130	60	22	57.2	94.1	117	M16	58.1	UC210 x 50MM	PA50M	2.9
UCPA210M x 1-7/8		1-7/8	5.12	2.36	0.87	2.25	3.70	4.61		2.29	UC210 x 1-7/8		
UCPA210M x 1-15/16		1-15/16									UC210 x 1-15/16		
UCPA210M x 2		2									UC210 x 2		

Note: Eccentric and Adapter Lock Bearings also available from stock.



# Tapped Base Pillow Block

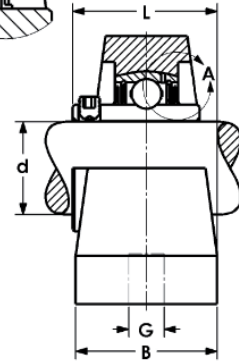
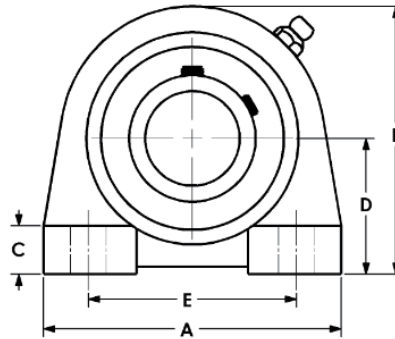


## PA 200M PTI Series

- Normal Duty Bearing
- Cast Iron Housing
- Set Screw Lock
- Metric and Inch Bores
- Metric Mounting Holes



Models Available



Part No.	Shaft Size d		Dimensions (mm) (in)								Bearing No.	Housing No.	Wt. kg	
	mm	in	A	B	C	D	E	F	G	L				
UCPA201M-12MM	12		74	38	13	30.2	51.9	62			37.3	UC201-12MM UC202-15MM UC203-17MM UC201-8 UC202-10 UC203-11	PA204M	0.7
UCPA202M-15MM	15													
UCPA203M-17MM	17													
UCPA201M-8		1/2	2.91	1.5	0.51	1.19	2.04	2.44	M10	1.47				
UCPA202M-10		5/8												
UCPA203M-11		11/16												
UCPA204M-20MM	20		74	38	13	30.2	51.9	62			37.3	UC204-20MM UC204-12	PA204M	0.7
UCPA204M-12		3/4	2.91	1.5	0.51	1.19	2.04	2.44	M10	1.47				
UCPA205M-25MM	25		80	38	13	36.5	55.9	72			38.8	UC205-25MM UC205-14 UC205-15 UC205-16	PA205M	0.8
UCPA205M-14		7/8	3.15	1.5	0.51	1.44	2.20	2.83	M10	1.53				
UCPA205M-15		15/16												
UCPA205M-16		1												
UCPA206M-30MM	30		94	48	16	42.9	65.9	84			41.2	UC206-30MM UC206-18 UC206-19 UC206-20	PA206M	1.3
UCPA206M-18		1-1/8	3.70	1.89	0.63	1.69	2.59	3.31	M14	1.62				
UCPA206M-19		1-3/16												
UCPA206M-20		1-1/4												
UCPA207M-35MM	35		110	48	19	47.6	80.2	95			49.4	UC207-35MM UC207-20 UC207-22 UC207-23	PA207M	1.7
UCPA207M-20		1-1/4	4.33	1.89	0.75	1.87	3.16	3.74	M14	1.94				
UCPA207M-22		1-3/8												
UCPA207M-23		1-7/16												
UCPA208M-40MM	40		117	54	19	49.2	84.1	100			54.2	UC208-40MM UC208-24	PA208M	2.0
UCPA208M-24		1-1/2	4.61	2.13	0.75	1.94	3.31	3.94	M14	2.13				
UCPA209M-45MM	45		120	54	19	54.4	90.1	108			55.7	UC209-45MM UC209-26 UC209-27 UC209-28	PA209M	2.3
UCPA209M-26		1-5/8	4.72	2.13	0.75	2.14	3.55	4.25	M14	2.19				
UCPA209M-27		1-11/16												
UCPA209M-28		1-3/4												
UCPA210M-50MM	50		130	60	22	57.2	94.1	117			58.1	UC210-50MM UC210-30 UC210-31 UC210-32	PA210M	2.9
UCPA210M-30		1-7/8	5.12	2.36	0.87	2.25	3.70	4.61	M16	2.29				
UCPA210M-31		1-15/16												
UCPA210M-32		2												

Note: Eccentric and Adapter Lock Bearings also available from stock.

# Tapped Base Pillow Block

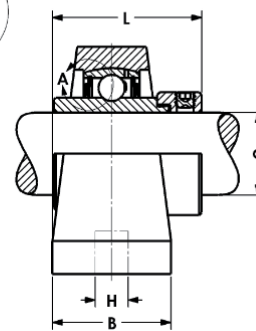
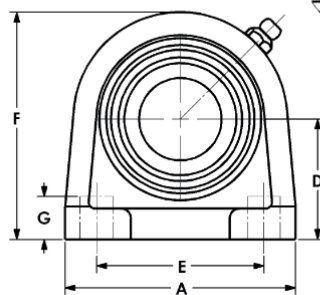


## SWG 200 Euro Series

Metric Mounting Holes  
Normal Duty Bearing  
Cast Iron Housing  
Eccentric Lock  
Metric and Inch Bores



Models Available



Part No.	Shaft Size d		Dimensions (mm) (in)								Bearing No.	Housing No.	Wt. kg		
	mm	in	A	B	D	E	F	G	H	L					
SWG201 x 12MM SWG202 x 15MM SWG203 x 17MM	12 15 17		63	30	30.2	47	57	10		42.4	SA201 x 12MM SA202 x 15MM SA203 x 17MM	SWG203	0.6		
SWG201 x 1/2 SWG202 x 5/8 SWG203 x 11/16		1/2 5/8 11/16	2.48	1.18	1.189	1.85	2.24	0.39	M8	1.67	SA201 x 1/2 SA202 x 5/8 SA203 x 11/16				
SWG204 x 20AMM SWG204 x 3/4A	20		65	32	33.3	50.8	64	10	M8	45.6 1.80	HC204 x 20MM HC204 x 3/4			SWG20	0.7
SWG205 x 25AMM SWG205 x 7/8A SWG205 x 15/16A SWG205 x 1A	25		70	36	36.5	50.8	69	13		45.9 1.81	HC205 x 25MM HC205 x 7/8 HC205 x 15/16 HC205 x 1			SWG25	0.8
SWG206 x 30AMM SWG206 x 1-1/8A SWG206 x 1-3/16A SWG206 x 1-1/4A	30		98	40	42.9	76.2	82	13		54.1 2.13	HC206 x 30MM HC206 x 1-1/8 HC206 x 1-3/16 HC206 x 1-1/4			SWG30	1.3
SWG207 x 35AMM SWG207 x 1-1/4A SWG207 x 1-3/8A SWG207 x 1-7/16A	35		103	45	47.6	82.6	93	13		56.3 2.22	HC207 x 35MM HC207 x 1-1/4 HC207 x 1-3/8 HC207 x 1-7/16			SWG35	1.7
SWG208 x 40AMM SWG208 x 1-1/2A	40		116	48	49.2	88.9	98	15		61.9 2.44	HC208 x 40MM HC208 x 1-1/2	SWG40	2.0		
SWG209 x 45AMM SWG209 x 1-5/8A SWG209 x 1-11/16A SWG209 x 1-3/4A	45		120	48	54	95.3	108	12		61.9 2.44	HC209 x 45MM HC209 x 1-5/8 HC209 x 1-11/16 HC209 x 1-3/4	SWG45	2.3		
SWG210 x 50AMM SWG210 x 1-7/8A SWG210 x 1-15/16A SWG210 x 2A	50		135	54	57.2	101.6	116	20		68.1 2.68	HC210 x 50MM HC210 x 1-7/8 HC210 x 1-15/16 HC210 x 2	SWG50	2.9		
SWG211 x 55AMM SWG211 x 2A SWG211 x 2-1/8A SWG211 x 2-3/16A	55		140	60	63.5	118.0	126	20		76.6 3.02	HC211 x 55MM HC211 x 2 HC211 x 2-1/8 HC211 x 2-3/16	SWG55	3.8		
SWG212 x 60AMM SWG212 x 2-1/4A SWG212 x 2-3/8A SWG212 x 2-7/16A	60		148	60	69.8	118.0	140	20		80.8 3.18	HC212 x 60MM HC212 x 2-1/4 HC212 x 2-3/8 HC212 x 2-7/16	SWG60	5.4		

Note: Set Screw and Adapter Lock Bearings also available from stock.

# Tapped Base Pillow Block



## SWG 200 PTI Series

Metric Mounting Holes

Normal Duty Bearing

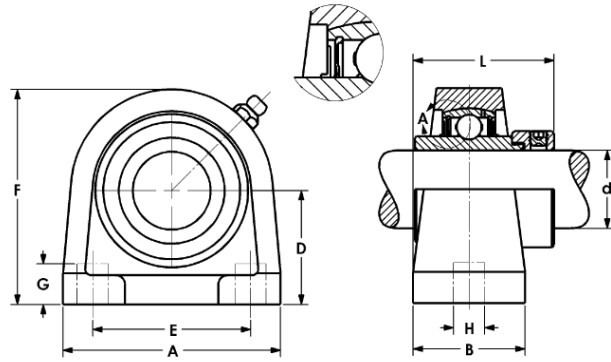
Cast Iron Housing

Eccentric Lock

Metric and Inch Bores



Models Available



Part No.	Shaft Size d		Dimensions (mm) (in)								Bearing No.	Housing No.	Wt. kg
	mm	in	A	B	D	E	F	G	H	L			
SWG201-12MM	12		63	30	30.2	47	57	10		42.4	SA201-12MM	SWG203	0.6
SWG202-15MM	15										SA202-15MM		
SWG203-17MM	17										SA203-17MM		
SWG201-8		1/2	2.48	1.18	1.189	1.85	2.24	0.39	M8	1.67	SA201-8		
SWG202-10		5/8									SA202-10		
SWG203-11		11/16									SA203-11		
SWG204-20AMM	20		65	32	33.3	50.8	64	10		45.6	HC204-20MM	SWG20	0.7
SWG204-12A		3/4	2.56	1.26	1.312	2.0	2.52	0.39	M8	1.80	HC204-12		
SWG205-25AMM	25		70	36	36.5	50.8	69	13		45.9	HC205-25MM	SWG25	0.8
SWG205-14A		7/8	2.76	1.42	1.437	2.0	2.72	0.6	M10	1.81	HC205-14		
SWG205-15A		15/16									HC205-15		
SWG205-16A		1									HC205-16		
SWG206-30AMM	30		98	40	42.9	76.2	82	13		54.1	HC206-30MM	SWG30	1.3
SWG206-18A		1-1/8	3.86	1.57	1.689	3.0	3.23	0.6	M10	2.13	HC206-18		
SWG206-19A		1-3/16									HC206-19		
SWG206-20A		1-1/4									HC206-20		
SWG207-35AMM	35		103	45	47.6	82.6	93	13		56.2	HC207-35MM	SWG35	1.7
SWG207-20A		1-1/4	4.06	1.77	1.874	3.3	3.66	0.6	M10	2.21	HC207-20		
SWG207-22A		1-3/8									HC207-22		
SWG207-23A		1-7/16									HC207-23		
SWG208-40AMM	40		116	48	49.2	88.9	98	15		61.9	HC208-40MM	SWG40	2.0
SWG208-24A		1-1/2	4.57	1.89	1.937	3.5	3.86	0.6	M12	2.44	HC208-24		
SWG209-45AMM	45		120	48	54	95.3	108	12		61.9	HC209-45MM	SWG45	2.3
SWG209-26A		1-5/8	4.72	1.89	2.126	3.8	4.25	0.5	M12	2.44	HC209-26		
SWG209-27A		1-11/16									HC209-27		
SWG209-28A		1-3/4									HC209-28		
SWG210-50AMM	50		135	54	57.2	101.6	116	20		68.1	HC210-50MM	SWG50	2.9
SWG210-30A		1-7/8	5.31	2.13	2.252	4.0	4.57	0.8	M16	2.68	HC210-30		
SWG210-31A		1-15/16									HC210-31		
SWG210-32A		2									HC210-32		
SWG211-55AMM	55		140	60	63.5	118.0	126	20		76.6	HC211-55MM	SWG55	3.8
SWG211-32A		2	5.51	2.36	2.500	4.6	4.96	0.8	M16	3.02	HC211-32		
SWG211-34A		2-1/8									HC211-34		
SWG211-35A		2-3/16									HC211-35		
SWG212-60AMM	60		148	60	69.8	118.0	140	20		80.8	HC212-60MM	SWG60	5.4
SWG212-36A		2-1/4	5.83	2.36	2.748	4.6	5.51	0.8	M16	3.18	HC212-36		
SWG212-38A		2-3/8									HC212-38		
SWG212-39A		2-7/16									HC212-39		

Note: Set Screw and Adapter Lock Bearings also available from stock

# Tapped Base Pillow Block



## GSHTB 200 PTI Series

Thin Adapter Lock

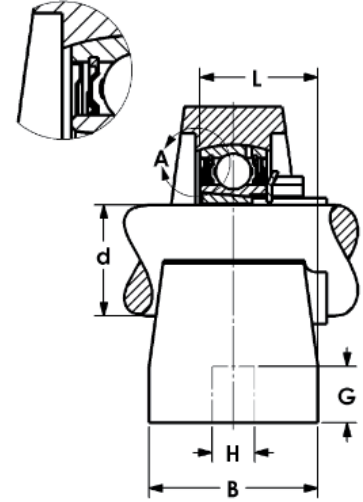
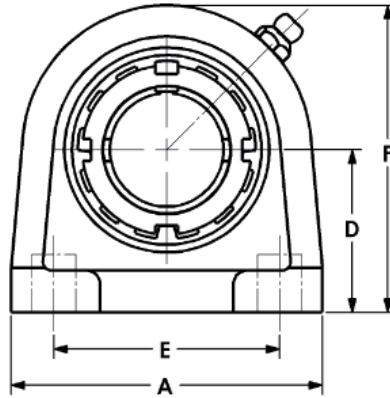
Normal Duty Bearing

Cast Iron Housing

Metric and Inch Bores



Models Available



Part No.	Shaft Size d		Dimensions (mm) (in)								Bearing No.	Adapter No.	Housing No.	Wt. kg
	mm	in	A	B	D	E	F	G	H	L				
GSHTB204-20MM	20		73	38	33.3	50.8	65	12.7	—	37.9	GSH204	H204GSH-20MM	TB204	0.7
GSHTB204-12		3/4	2.87	1.5	1.312	2.0	2.56	0.50	3/8-16	1.49		H204GSH-12		
GSHTB205-25MM	25		76	38	36.5	50.8	71	12.7	—	36.0	GSH205	H205GSH-25MM	TB205	0.8
GSHTB205-15		15/16	2.99	1.5	1.437	2.0	2.80	0.50	3/8-16	1.42		H205GSH-15		
GSHTB205-16		1										H205GSH-16		
GSHTB206-30MM	30		102	38	42.9	76.2	87	16	—	41.7	GSH206	H206GSH-30MM	TB206	1.3
GSHTB206-19		1-3/16	4.02	1.5	1.687	3.0	3.42	0.63	7/16-14	1.64		H206GSH-19		
GSHTB207-35MM	35		108	48	47.6	82.6	95	19	—	48.6	GSH207	H207GSH-35MM	TB207	1.7
GSHTB207-20		1-1/4	4.25	1.9	1.875	3.25	3.74	0.75	1/2-13	1.91		H207GSH-20		
GSHTB207-22		1-3/8										H207GSH-22		
GSHTB208-40MM	40		117	48	49.2	88.9	100	19	—	51.9	GSH208	H208GSH-40MM	TB208	2.0
GSHTB208-24		1-1/2	4.61	1.9	1.937	3.5	3.94	0.75	1/2-13	2.04		H208GSH-24		
GSHTB209-45MM	45		127	51	54.2	95.3	108	19	—	53.1	GSH209	H209GSH-45MM	TB209	2.3
GSHTB209-28		1-3/4	5.00	2.01	2.125	3.75	4.25	0.75	1/2-13	2.09		H209GSH-28		
GSHTB210-50MM	50		140	51	57.2	101.6	117.5	22	5/8-11	51.9	GSH210	H210GSH-50MM	TB210	2.9
GSHTB210-31		1-15/16	5.51	2.01	2.250	4.0	4.63	0.87	—	2.04		H210GSH-31		
GSHTB210-32		2										H210GSH-32		

# Tapped Base Pillow Block



## CLTB 200 PTI Series

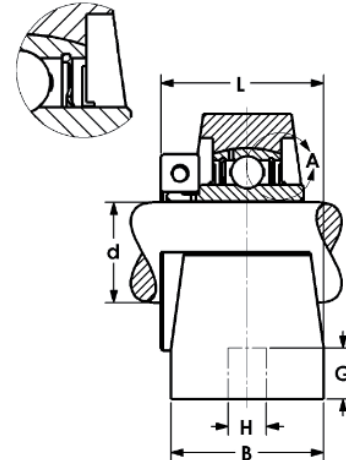
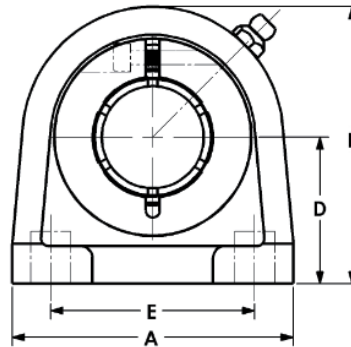
- Normal Duty Bearing
- Cast Iron Housing
- Concentric Locking Collar
- Metric and Inch Bores



The locking collar provides for a concentric fit to the shaft



Models Available



Part No.	Shaft Size d		Dimensions (mm) (in)								Bearing No.	Housing No.	Wt. kg
	mm	in	A	B	D	E	F	G	H	L			
CLTB204-20MM	20		73	38	33.3	50.8	65	12.7	—	38.8	CL204-20MM	TB204	0.7
CLTB204-12		3/4	2.87	1.5	1.312	2.0	2.56	0.50	3/8-16	1.53	CL204-12		
CLTB205-25MM	25		76	38	36.5	50.8	71	12.7	—	41.2	CL205-25MM	TB205	0.8
CLTB205-14		7/8	2.99	1.5	1.437	2.0	2.80	0.50	3/8-16	1.62	CL205-14		
CLTB205-15		15/16									CL205-15		
CLTB205-16		1									CL205-16		
CLTB206-30MM	30		102	38	42.9	76.2	87	16	—	42.8	CL206-30MM	TB206	1.3
CLTB206-18		1-1/8	4.02	1.5	1.687	3.0	3.42	0.63	7/16-14	1.69	CL206-18		
CLTB206-19		1-3/16									CL206-19		
CLTB206-20		1-1/4									CL206-20		
CLTB207-35MM	35		108	48	47.6	82.6	95	19	—	51.0	CL207-35MM	TB207	1.7
CLTB207-20		1-1/4	4.25	1.9	1.875	3.25	3.74	0.75	1/2-13	2.01	CL207-20		
CLTB207-22		1-3/8									CL207-22		
CLTB207-23		1-7/16									CL207-23		
CLTB208-40MM	40		117	48	49.2	88.9	100	19	—	55.8	CL208-40MM	TB208	2.0
CLTB208-24		1-1/2	4.61	1.9	1.937	3.5	3.94	0.75	1/2-13	2.20	CL208-24		
CLTB209-45MM	45		127	51	54.2	95.3	108	19	—	57.3	CL209-45MM	TB209	2.3
CLTB209-26		1-5/8	5.00	2.01	2.125	3.75	4.25	0.75	1/2-13	2.25	CL209-26		
CLTB209-27		1-11/16									CL209-27		
CLTB209-28		1-3/4									CL209-28		
CLTB210-50MM	50		140	51	57.2	101.6	117.5	22	—	59.6	CL210-50MM	TB210	2.9
CLTB210-30		1-7/8	5.51	2.01	2.250	4.0	4.63	0.87	5/8-11	2.34	CL210-30		
CLTB210-31		1-15/16									CL210-31		
CLTB210-32		2									CL210-32		

Note: Other sizes available on request.

# Fan & Blower Double Pillow Blocks



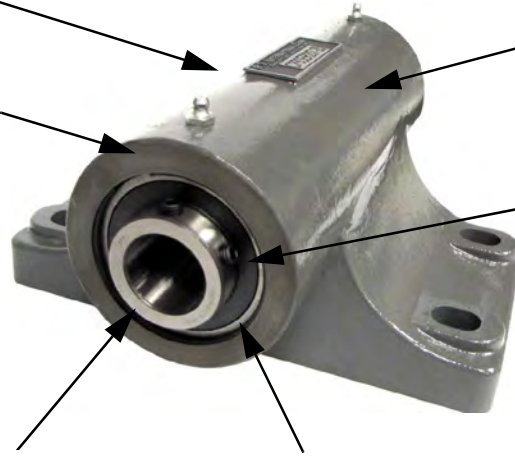
## Key Features

- 6 Housing Sizes; Inch Shaft Sizes from 15/16" thru 2-1/2", Metric Shaft Sizes from 25mm thru 60mm.
- Optional shaft attachment methods: Set Screw Locking or Concentric Locking Collar.

Assembled in Charlotte, NC

Interchangeable Housing Configurations

Rugged Cast Iron Housings with dual lube fittings.



Contact Lip Seals and exterior steel flingers on all units. Bearings are sealed and regreasable. Seals and Lube rated to 250°F. High Temp seals and lube is optional from Stock.

Set Screw locking for mounting the bearings to the shaft. Shafts can also be provided assembled.

Steel caged bearings allow higher operating temperatures and improved lubricant flow.

## Bearing Inserts

PTI's Fan Blower Double Bearing units are available with Set Screw Locking. Others available on request.

Set Screw SER inserts have 2 set screws that tighten to the shaft. Simple to install, industry standard.

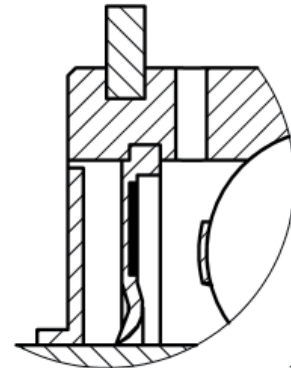


## Ductile Iron Housings

All units have Ductile Iron housings, which have significant strength over the more common Cast Iron housing material and are virtually identical to Steel material strength at a fraction of the cost.

## Seal Options

The Seals are identical in both Insert types. Each have an internal metal backed lip seal and an exterior flinger. The bearings are fully sealed with a large grease reservoir. Each insert can be re-lubricated. The standard seals are rated for 250°F. Other seal options, including high temp seals are available on request.



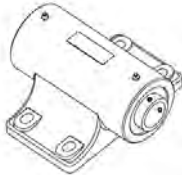
# Fan & Blower Double Pillow Blocks



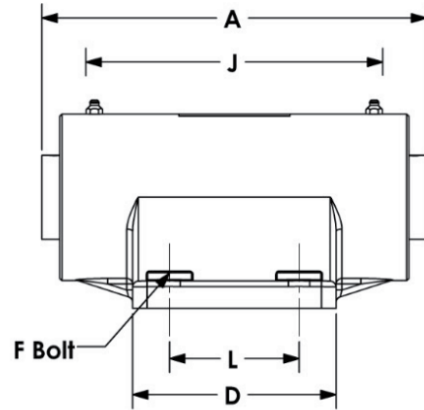
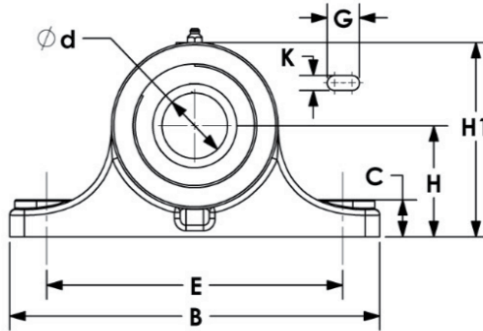
- Rigid Double Bearing Unit
- Set Screw Locking
- One Piece, Heavy Duty Housing
- Contact Lip seals and Steel Flingers



Ideal for Fans, Blowers, Bench Grinders, Buffers and Jack Shafts. Available with sealed, regreasable bearings. Clamp Collar Locking optional in popular shaft sizes. For speed and load ratings, see SER Series Ball Bearing Insert Page.



Models Available



Part No.	Unit Size	Shaft Size d		Dimensions (mm) (in)											Housing No.	Bearing No.	Wt. lb	
		mm	in	A	B	C	D	E	F Bolt	G	H	H1	J	K				L
CFBSER205-25mm	205	25	—	192	197	32	108	152	M10	17	63.5	100	150	11	70	CFB205	SER205-25MM	16.0
CFBSER205-15		15/16	7.57	7.75	1.25	4.25	6.00	3/8	0.68	2.500	3.92	5.9	0.43	2.75	SER205-15			
CFBSER205-16		1															SER205-16	
CFBSER206-30mm	206	30	—	187	197	32	108	159	M10	18	63.50	10.6	142	13	69.9	CFB206	SER206-30MM	13.9
CFBSER206-18		1-1/8	7.35	7.75	1.25	4.25	6.25	7/16	0.70	2.500	4.16	5.6	0.50	2.75	SER206-18			
CFBSER206-19		1-3/16															SER206-19	
CFBSER207-35mm	207	35	—	276	254	31.8	140	203	M12	23	76.20	124	224	16	89	CFB207	SER207-35MM	24.4
CFBSER207-20		1-1/4	10.88	10.00	1.25	5.50	8.00	1/2	0.90	3.000	4.88	8.8	0.63	3.50	SER207-20			
CFBSER207-22		1-3/8													SER207-22			
CFBSER207-23		1-7/16													SER207-23			
CFBSER209-45mm	209	45	—	264	254	25.4	140	203	M12	23	76.20	133	204	16	89	CFB209	SER209-45MM	27.5
CFBSER209-27		1-11/16	10.40	10.00	1.00	5.50	8.00	1/2	0.90	3.000	5.25	8.0	0.63	3.50	SER209-27			
CFBSER209-28		1-3/4													SER209-28			
CFBSER210-50mm	210	50	—	342	305	28.7	178	241	M14	28.7	88.90	151	277	17.5	114	CFB210	SER210-50MM	52.6
CFBSER210-31		1-15/16	13.47	12.00	1.13	7.00	9.50	5/8	1.13	3.500	5.94	10.9	0.69	4.50	SER210-31			
CFBSER210-32		2													SER210-32			
CFBSER211-55mm	211	55	—	335	305	31.8	178	241	M14	28.7	88.90	156	268	17.5	114	CFB211	SER211-55MM	58.1
CFBSER211-35		2-3/16	13.19	12.00	1.25	7.00	9.50	5/8	1.13	3.500	6.13	10.6	0.69	4.50	SER211-35			
CFBSER212-60mm	212	60	—	356	305	44	178	241	M14	28.7	88.90	162	277	17.5	114	CFB212	SER212-60MM	68.1
CFBSER212-36		2-1/4	14.03	12.00	1.75	7.00	9.50	5/8	1.13	3.500	6.38	10.9	0.69	4.50	SER212-36			
CFBSER212-38		2-3/8													SER212-38			
CFBSER212-39		2-7/16													SER212-39			

Note: For load and speed ratings, see pages on Ball Bearing Inserts

# 4-Bolt Flange



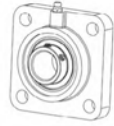
## UCF 200 Euro Series

Normal Duty Bearing

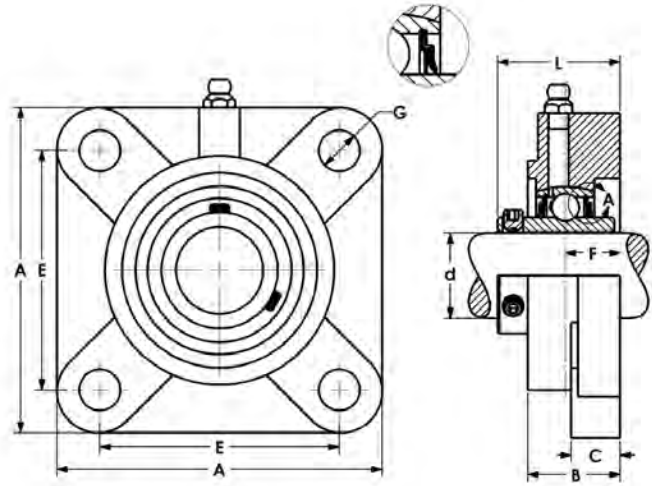
Cast Iron Housing

Set Screw Lock

Metric and Inch Bores



Models Available



Part No.	Shaft Size d		Dimensions (mm) (in)							Bearing No.	Housing No.	Wt. kg
	mm	in	A	B	C	E	F	G	L			
UCF204 x 20MM UCF204 x 3/4	20	3/4	86 3.39	25.5 1.00	12 0.47	64 2.52	15 0.59	12 0.47	33.3 1.31	UC204 x 20MM UC204 x 3/4	F204	0.6
UCF205 x 25MM UCF205 x 7/8 UCF205 x 15/16 UCF205 x 1	25	7/8 15/16 1	95 3.74	27 1.06	14 0.55	70 2.76	16 0.63	12 0.47	35.7 1.41	UC205 x 25MM UC205 x 7/8 UC205 x 15/16 UC205 x 1	F205	0.8
UCF206 x 30MM UCF206 x 1-1/8 UCF206 x 1-3/16 UCF206 x 1-1/4	30	1-1/8 1-3/16 1-1/4	108 4.25	31 1.22	14.3 0.56	83 3.27	18 0.71	12 0.47	40.2 1.58	UC206 x 30MM UC206 x 1-1/8 UC206 x 1-3/16 UC206 x 1-1/4	F206	1.1
UCF207 x 35MM UCF207 x 1-1/4 UCF207 x 1-3/8 UCF207 x 1-7/16	35	1-1/4 1-3/8 1-7/16	117 4.61	34 1.34	15.5 0.61	92 3.62	19 0.75	14 0.55	44.4 1.75	UC207 x 35MM UC207 x 1-1/4 UC207 x 1-3/8 UC207 x 1-7/16	F207	1.5
UCF208 x 40MM UCF208 x 1-1/2	40	1-1/2	130 5.12	36 1.42	15.5 0.61	102 4.02	21 0.83	16 0.63	51.2 2.02	UC208 x 40MM UC208 x 1-1/2	F208	1.8
UCF209 x 45MM UCF209 x 1-5/8 UCF209 x 1-11/16 UCF209 x 1-3/4	45	1-5/8 1-11/16 1-3/4	137 5.39	38 1.50	17.5 0.69	105 4.13	22 0.87	16 0.63	52.2 2.06	UC209 x 45MM UC209 x 1-5/8 UC209 x 1-11/16 UC209 x 1-3/4	F209	2.3
UCF210 x 50MM UCF210 x 1-7/8 UCF210 x 1-15/16 UCF210 x 2	50	1-7/8 1-15/16 2	143 5.63	40 1.57	17 0.69	111 4.37	22 0.87	16 0.63	54.6 2.15	UC210 x 50MM UC210 x 1-7/8 UC210 x 1-15/16 UC210 x 2	F210	2.6
UCF211 x 55MM UCF211 x 2 UCF211 x 2-1/8 UCF211 x 2-3/16	55	2 2-1/8 2-3/16	162 6.38	43 1.69	19.5 0.77	130 5.12	25 0.98	19 0.75	58.4 2.30	UC211 x 55MM UC211 x 2 UC211 x 2-1/8 UC211 x 2-3/16	F211	3.4
UCF212 x 60MM UCF212 x 2-1/4 UCF212 x 2-3/8 UCF212 x 2-7/16	60	2-1/4 2-3/8 2-7/16	175 6.89	48 1.89	19.5 0.77	143 5.63	29 1.14	19 0.75	68.7 2.70	UC212 x 60MM UC212 x 2-1/4 UC212 x 2-3/8 UC212 x 2-7/16	F212	4.3
UCF213 x 65MM UCF213 x 2-1/2	65	2-1/2	187 7.36	50 1.97	23 0.91	149 5.87	30 1.18	19 0.75	69.7 2.74	UC213 x 65MM UC213 x 2-1/2	F213	5.7
UCF214 x 70MM UCF214 x 2-11/16 UCF214 x 2-3/4	70	2-11/16 2-3/4	193 7.60	54 2.13	23 0.91	152 5.98	31 1.22	19 0.75	75.4 2.97	UC214 x 70MM UC214 x 2-11/16 UC214 x 2-3/4	F214	6.1
UCF215 x 75MM UCF215 x 2-15/16 UCF215 x 3	75	2-15/16 3	200 7.87	56 2.20	23 0.91	159 6.26	34 1.34	19 0.75	78.5 3.09	UC215 x 75MM UC215 x 2-15/16 UC215 x 3	F215	6.7
UCF216 x 80MM UCF216 x 3-1/8	80	3-1/8	208 8.19	58 2.28	24 0.94	165 6.50	34 1.34	23 0.91	83.3 3.28	UC216 x 80MM UC216 x 3-1/8	F216	7.9
UCF217 x 85MM UCF217 x 3-1/4	85	3-1/4	220 8.66	63 2.48	25 0.98	175 6.89	36 1.42	23 0.91	87.6 3.45	UC217 x 85MM UC217 x 3-1/4	F217	10.7
UCF218 x 90MM UCF218 x 3-1/2	90	3-1/2	235 9.25	68 2.68	26 1.02	187 7.36	40 1.57	23 0.91	96.3 3.79	UC218 x 90MM UC218 x 3-1/2	F218	12.8

Note: Eccentric and Adapter Lock Bearings also available from stock.



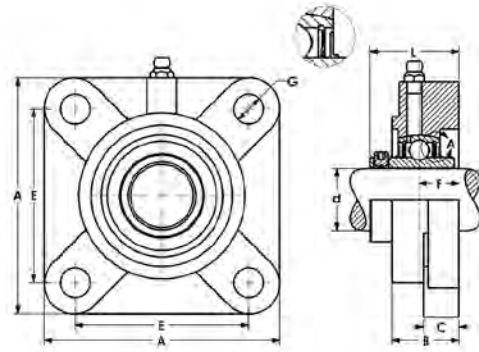
# 4-Bolt Flange

## UCF 200 PTI Series

Normal Duty Bearing  
Cast Iron Housing  
Set Screw Lock  
Metric and Inch Bores



Models Available



Part No.	Shaft Size d		Dimensions (mm) (in)							Bearing No.	Housing No.	Wt. kg
	mm	in	A	B	C	E	F	G	L			
UCF201-12MM UCF202-15MM UCF203-17MM UCF201-8 UCF202-10 UCF203-11	12 15 17	1/2 5/8 11/16	76.2 3.00	26 1.02	11 0.43	54 2.12	15 0.59	12 0.47	30.9 1.22	UC201-12MM UC202-15MM UC203-17MM UC201-8 UC202-10 UC203-11	F203	0.5
UCF204-20MM UCF204-12	20	3/4	86 3.39	25.5 1.00	12 0.47	64 2.52	15 0.59	12 0.47	33.3 1.31	UC204-20MM UC204-12	F204	0.6
UCF205-25MM UCF205-14 UCF205-15 UCF205-16	25	7/8 15/16 1	95 3.74	27 1.06	14.3 0.55	70 2.76	16 0.63	12 0.47	35.7 1.41	UC205-25MM UC205-14 UC205-15 UC205-16	F205	0.8
UCF206-30MM UCF206-18 UCF206-19 UCF206-20	30	1-1/8 1-3/16 1-1/4	108 4.25	31 1.22	14.3 0.56	83 3.27	18 0.71	12 0.47	40.2 1.58	UC206-30MM UC206-18 UC206-19 UC206-20	F206	1.1
UCF207-35MM UCF207-20 UCF207-22 UCF207-23	35	1-1/4 1-3/8 1-7/16	117 4.61	34 1.34	15.5 0.61	92 3.62	19 0.75	14 0.55	44.4 1.75	UC207-35MM UC207-20 UC207-22 UC207-23	F207	1.5
UCF208-40MM UCF208-24	40	1-1/2	130 5.12	36 1.42	15.5 0.61	102 4.02	21 0.83	16 0.63	51.2 2.02	UC208-40MM UC208-24	F208	1.8
UCF209-45MM UCF209-26 UCF209-27 UCF209-28	45	1-5/8 1-11/16 1-3/4	137 5.39	38 1.50	17.5 0.69	105 4.13	22 0.87	16 0.63	52.2 2.06	UC209-45MM UC209-26 UC209-27 UC209-28	F209	2.3
UCF210-50MM UCF210-30 UCF210-31 UCF210-32	50	1-7/8 1-15/16 2	143 5.63	40 1.57	17 0.69	111 4.37	22 0.87	16 0.63	54.6 2.15	UC210-50MM UC210-30 UC210-31 UC210-32	F210	2.6
UCF211-55MM UCF211-32 UCF211-34 UCF211-35	55	2 2-1/8 2-3/16	162 6.38	43 1.69	19.5 0.77	130 5.12	25 0.98	19 0.75	58.4 2.30	UC211-55MM UC211-32 UC211-34 UC211-35	F211	3.4
UCF212-60MM UCF212-36 UCF212-38 UCF212-39	60	2-1/4 2-3/8 2-7/16	175 6.89	48 1.89	19.5 0.77	143 5.63	29 1.14	19 0.75	68.7 2.70	UC212-60MM UC212-36 UC212-38 UC212-39	F212	4.3
UCF213-65MM UCF213-40	65	2-1/2	187 7.36	50 1.97	23 0.91	149 5.87	30 1.18	19 0.75	69.7 2.74	UC213-65MM UC213-40	F213	5.7
UCF214-70MM UCF214-43 UCF214-44	70	2-11/16 2-3/4	193 7.60	54 2.13	23 0.91	152 5.98	31 1.22	19 0.75	75.4 2.97	UC214-70MM UC214-43 UC214-44	F214	6.1
UCF215-75MM UCF215-47 UCF215-48	75	2-15/16 3	200 7.87	56 2.20	23 0.91	159 6.26	34 1.34	19 0.75	78.5 3.09	UC215-75MM UC215-47 UC215-48	F215	6.7
UCF216-80MM UCF216-50	80	3-1/8	208 8.19	58 2.28	24 0.94	165 6.50	34 1.34	23 0.91	83.3 3.28	UC216-80MM UC216-50	F216	7.9
UCF217-85MM UCF217-52 UCF217-55	85	3-1/4 3-7/16	220 8.66	63 2.48	25 0.98	175 6.89	36 1.42	23 0.91	87.6 3.45	UC217-85MM UC217-52 UC217-55	F217	10.7
UCF218-90MM UCF218-55 UCF218-56	90	3-7/16 3-1/2	235 9.25	68 2.68	26 1.02	187 7.36	40 1.57	23 0.91	96.3 3.79	UC218-90MM UC218-55 UC218-56	F218	12.8

Note: Eccentric or Adapter Lock Bearings also available from stock.

# 4-Bolt Flange

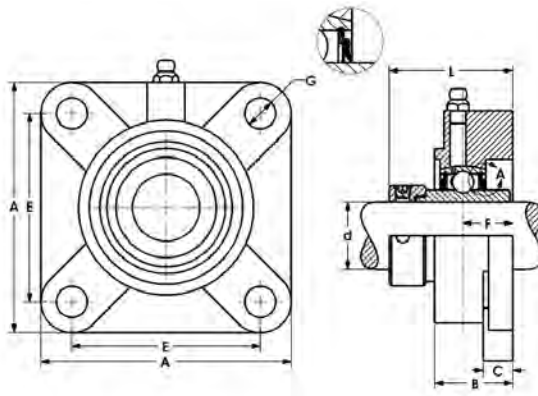
## FWS 200 Euro Series

Normal Duty Bearing

Cast Iron Housing

Eccentric Collar Lock

Metric and Inch Bores



Models Available

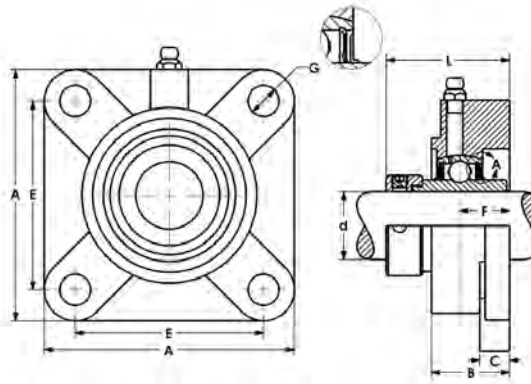


Part No.	Shaft Size d		Dimensions (mm) (in)							Bearing No.	Housing No.	Wt. kg
	mm	in	A	B	C	E	F	G	L			
FWS204 x 20AMM FWS204 x 3/4A	20	3/4	85 3.35	27 1.06	13 0.51	63.5 2.50	18.1 0.71	11.5 0.45	44.7 1.76	HC204 x 20MM HC204 x 3/4	FWS204U	0.8
FWS205 x 25AMM FWS205 x 7/8A FWS205 x 15/16A FWS205 x 1A	25	7/8 15/16 1	93 3.66	29 1.14	11 0.43	70 2.76	18.5 0.73	11.5 0.45	45.4 1.79	HC205 x 25MM HC205 x 7/8 HC205 x 15/16 HC205 x 1	FWS205U	1.0
FWS206 x 30AMM FWS206 x 1-1/8A FWS206 x 1-3/16A FWS206 x 1-1/4A	30	1-1/8 1-3/16 1-1/4	108 4.25	32 1.26	16 0.63	83 3.27	19.3 0.76	11.5 0.45	49.4 1.94	HC206 x 30MM HC206 x 1-1/8 HC206 x 1-3/16 HC206 x 1-1/4	FWS206U	1.5
FWS207 x 35AMM FWS207 x 1-1/4A FWS207 x 1-3/8A FWS207 x 1-7/16A	35	1-1/4 1-3/8 1-7/16	116 4.57	35 1.38	17 0.67	92 3.62	19.6 0.77	14 0.55	51.9 2.04	HC207 x 35MM HC207 x 1-1/4 HC207 x 1-3/8 HC207 x 1-7/16	FWS207U	2.0
FWS208 x 40AMM FWS208 x 1-1/2A	40	1-1/2	130 5.12	37 1.46	18 0.71	102 4.02	22.5 0.89	14 0.55	57.4 2.26	HC208 x 40MM HC208 x 1-1/2	FWS208U	2.6
FWS209 x 45AMM FWS209 x 1-5/8A FWS209 x 1-11/16A FWS209 x 1-3/4A	45	1-5/8 1-11/16 1-3/4	138 5.43	41 1.61	18 0.71	105 4.13	23.8 0.94	14 0.55	58.7 2.31	HC209 x 45MM HC209 x 1-5/8 HC209 x 1-11/16 HC209 x 1-3/4	FWS209	2.9
FWS210 x 50AMM FWS210 x 1-7/8A FWS210 x 1-15/16A FWS210 x 2A	50	1-7/8 1-15/16 2	143 5.63	47.5 1.87	16.5 0.65	111 4.37	28.4 1.12	18 0.71	66.5 2.62	HC210 x 50MM HC210 x 1-7/8 HC210 x 1-15/16 HC210 x 2	FWS210	3.5
FWS211 x 55AMM FWS211 x 2A FWS211 x 2-1/8A FWS211 x 2-3/16A	55	2 2-1/8 2-3/16	162 6.38	51.8 2.04	20 0.79	130 5.12	29.0 1.14	18 0.71	72.9 2.87	HC211 x 55MM HC211 x 2 HC211 x 2-1/8 HC211 x 2-3/16	FWS211	4.8
FWS212 x 60AMM FWS212 x 2-1/4A FWS212 x 2-3/8A FWS212 x 2-7/16A	60	2-1/4 2-3/8 2-7/16	175 6.89	53 2.09	19 0.75	143 5.63	32.5 1.28	18 0.71	79.8 3.14	HC212 x 60MM HC212 x 2-1/4 HC212 x 2-3/8 HC212 x 2-7/16	FWS212	5.7
FWS213 x 65AMM FWS213 x 2-1/2A	65	2-1/2	184 7.24	58 2.28	22 0.87	150 5.91	38 1.50	20 0.79	82.6 3.25	HC213 x 65MM HC213 x 2-1/2	FWS213	6.1
FWS214 x 70AMM FWS214 x 2-11/16A FWS214 x 2-3/4A	70	2-11/16 2-3/4	188 7.40	60 2.36	23 0.91	150 5.91	38 1.50	20 0.79	82.6 3.25	HC214 x 70MM HC214 x 2-11/16 HC214 x 2-3/4	FWS214	7.7
FWS215 x 75AMM FWS215 x 2-15/16A FWS215 x 3A	75	2-15/16 3	200 7.87	62 2.44	24 0.94	153 6.02	41 1.61	23 0.91	86.6 3.41	HC215 x 75MM HC215 x 2-15/16 HC215 x 3	FWS215	7.9
FWS216 x 80AMM FWS216 x 3-1/8A	80	3-1/8	207 8.15	63 2.48	22 0.87	153 6.02	42 1.65	23 0.91	89.6 3.53	HC216 x 80MM HC216 x 3-1/8	FWS216	8.0
FWS218 x 90AMM FWS218 x 3-1/2A	90	3-1/2	235 9.25	68 2.68	28 1.1	187 7.36	46 1.81	23 0.91	92.5 3.64	HC218 x 90MM HC218 x 3-1/2	FWS218	11.0
FWS220 x 100AMM	100	—	265	46	25	210	28	27	77.5	HC220 x 100MM	FWS220	12.3
FWS224 x 120AMM	120	—	305	51	28	240	31	30	83.5	HC224 x 120MM	FWS224	18.0

Note: Set Screw and Adapter Lock Bearings also available from stock.

# 4-Bolt Flange

**FWS 200 PTI Series**  
**Normal Duty Bearing**  
**Cast Iron Housing**  
**Eccentric Collar Lock**  
**Metric and Inch Bores**



Models Available



Part No.	Shaft Size d		Dimensions (mm) (in)							Bearing No.	Housing No.	Wt. kg
	mm	in	A	B	C	E	F	G	L			
FWS204-20AMM FWS204-12A	20	3/4	85 3.35	27 1.06	13 0.51	63.5 2.50	18.1 0.71	11.5 0.45	44.7 1.76	HC204-20MM HC204-12	FWS204U	0.8
FWS205-25AMM FWS205-14A FWS205-15A FWS205-16A	25	7/8 15/16 1	93 3.66	29 1.14	11 0.43	70 2.76	18.5 0.75	11.5 0.45	45.5 1.79	HC205-25MM HC205-14 HC205-15 HC205-16	FWS205U	1.0
FWS206-30AMM FWS206-18A FWS206-19A FWS206-20A	30	1-1/8 1-3/16 1-1/4	108 4.25	32 1.26	16 0.63	83 3.27	19.3 0.76	11.5 0.45	49.4 1.95	HC206-30MM HC206-18 HC206-19 HC206-20	FWS206U	1.5
FWS207-35AMM FWS207-20A FWS207-22A FWS207-23A	35	1-1/4 1-3/8 1-7/16	116 4.57	35 1.38	17 0.67	92 3.62	21 0.83	14 0.55	51.9 2.04	HC207-35MM HC207-20 HC207-22 HC207-23	FWS207U	2.0
FWS208-40AMM FWS208-24A	40	1-1/2	130 5.12	37 1.46	18 0.71	102 4.02	22.5 0.89	14 0.55	57.4 2.26	HC208-40MM HC208-24	FWS208U	2.6
FWS209-45AMM FWS209-26A FWS209-27A FWS209-28A	45	1-5/8 1-11/16 1-3/4	138 5.43	41 1.61	18 0.71	105 4.13	24 0.95	14 0.55	58.7 2.31	HC209-45MM HC209-26 HC209-27 HC209-28	FWS209	2.9
FWS210-50AMM FWS210-30A FWS210-31A FWS210-32A	50	1-7/8 1-15/16 2	143 5.63	47.5 1.87	16.5 0.65	111 4.37	28.4 1.12	18 0.71	66.5 2.62	HC210-50MM HC210-30 HC210-31 HC210-32	FWS210	3.5
FWS211-55AMM FWS211-32A FWS211-34A FWS211-35A	55	2 2-1/8 2-3/16	162 6.38	51.8 2.04	20 0.79	130 5.12	29.3 1.15	18 0.71	72.6 2.86	HC211-55MM HC211-32 HC211-34 HC211-35	FWS211	4.8
FWS212-60AMM FWS212-36A FWS212-38A FWS212-39A	60	2-1/4 2-3/8 2-7/16	175 6.89	53 2.09	19.5 0.77	143 5.63	33 1.30	18 0.71	79.3 3.12	HC212-60MM HC212-36 HC212-38 HC212-39	FWS212	5.7
FWS213-65AMM FWS213-40A	65	2-1/2	184 7.24	58 2.28	22 0.87	150 5.91	38 1.50	20 0.79	89.7 3.53	HC213-65MM HC213-40	FWS213	6.1
FWS214-70AMM FWS214-43A FWS214-44A	70	2-11/16 2-3/4	188 7.40	60 2.36	23 0.91	150 5.91	38 1.50	20 0.79	89.7 3.53	HC214-70MM HC214-43 HC214-44	FWS214	7.7
FWS215-75AMM FWS215-47A FWS215-48A	75	2-15/16 3	200 7.87	62 2.44	24 0.94	153 6.02	41 1.61	23 0.91	95.8 3.77	HC215-75MM HC215-47 HC215-48	FWS215	7.9
FWS216-80AMM FWS216-50A	80	3-1/8	207 8.15	63 2.48	25 0.98	153 6.02	42 1.65	23 0.91	89.6 3.53	HC216-80MM HC216-50	FWS216	8.0
FWS218-90AMM FWS218-56A	90	3-1/2	235 9.25	68 2.68	25 0.98	187 7.36	46 1.81	23 0.91	92.5 3.64	HC218-90MM HC218-56	FWS218	11.0
FWS220-100AMM	100	-	265	46	25	210	28	27	77.5	HC220-100MM	FWS220	12.3
FWS224-120AMM	120	-	305	51	28	240	31	30	83.5	HC224-120MM	FWS224	18.0

Note: Set Screw and Adapter Lock Bearings also available from stock.

# 4-Bolt Flange



## HCSLF 200 Euro Series

Normal Duty Bearing

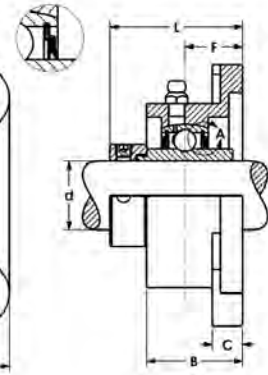
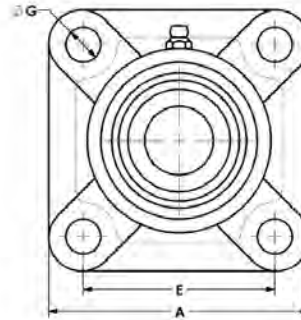
Cast Iron Housing

Eccentric Lock

Metric and Inch Bores



Models Available



Part No.	Shaft Size d		Dimensions (mm) (in)							Bearing No.	Housing No.	Wt. kg
	mm	in	A	B	C	E	F	G	L			
SASLF201x12MM	12		76	28	9.5	54	16.7	10.3	40.1	SA201x12MM	SLF203	0.5
SASLF202x15MM	15									SA202x15MM		
SASLF203x17MM	17									SA203x17MM		
SASLF201x1/2		1/2	3.00	1.10	0.37	2.12	0.66	0.41	1.58	SA201x1/2		
SASLF202x5/8		5/8								SA202x5/8		
SASLF203x11/16		11/16								SA203x11/16		
HCSLF204x20MM	20		86	33	9.5	63.5	21	10.3	47.6	HC204x20MM	SLF204	0.6
HCSLF204x3/4		3/4	3.39	1.30	0.37	2.50	0.83	0.41	1.87	HC204x3/4		
HCSLF205x25MM	25		95	35	11	69.8	21	12.7	47.9	HC205x25MM		
HCSLF205x7/8		7/8	3.74	1.38	0.43	2.75	0.83	0.50	1.89	HC205x7/8	SLF205	0.8
HCSLF205x15/16		15/16								HC205x15/16		
HCSLF205x1		1								HC205x1		
HCSLF206x30MM	30		108	37	12.7	82.5	22.6	12.7	52.7	HC206x30MM	SLF206	1.1
HCSLF206x1-1/8		1-1/8	4.25	1.46	0.50	3.25	0.89	0.50	2.07	HC206x1-1/8		
HCSLF206x1-3/16		1-3/16								HC206x1-3/16		
HCSLF206x1-1/4		1-1/4								HC206x1-1/4		
HCSLF207x35MM	35		117	38	12.7	92	22.6	14	54.3	HC207x35MM	SLF207	1.5
HCSLF207x1-1/4		1-1/4	4.61	1.50	0.50	3.62	0.89	0.55	2.14	HC207x1-1/4		
HCSLF207x1-3/8		1-3/8								HC207x1-3/8		
HCSLF207x1-7/16		1-7/16								HC207x1-7/16		
HCSLF208x40MM	40		130	41	16	101.6	24.6	14	59.5	HC208x40MM	SLF208	1.8
HCSLF208x1-1/2		1-1/2	5.12	1.61	0.63	4.00	0.97	0.55	2.34	HC208x1-1/2		
HCSLF209x45MM	45		136	42	16	105	24.6	16	59.5	HC209x45MM		
HCSLF209x1-5/8		1-5/8	5.35	1.65	0.63	4.13	0.97	0.63	2.34	HC209x1-5/8	SLF209	2.3
HCSLF209x1-11/16		1-11/16								HC209x1-11/16		
HCSLF209x1-3/4		1-3/4								HC209x1-3/4		
HCSLF210x50MM	50		143	46	16	111	27.8	16	65.9	HC210x50MM	SLF210	2.6
HCSLF210x1-7/8		1-7/8	5.63	1.81	0.63	4.37	1.09	0.63	2.59	HC210x1-7/8		
HCSLF210x1-15/16		1-15/16								HC210x1-15/16		
HCSLF210x2		2								HC210x2		
HCSLF211x55MM	55		162	50	17.5	130	31	18	74.6	HC211x55MM	SLF211	3.4
HCSLF211x2		2	6.38	1.97	0.69	5.12	1.22	0.71	2.94	HC211x2		
HCSLF211x2-1/8		2-1/8								HC211x2-1/8		
HCSLF211x2-3/16		2-3/16								HC211x2-3/16		
HCSLF212x60MM	60		174	55	17.5	143	34	18	80.8	HC212x60MM	SLF212	4.3
HCSLF212x2-1/4		2-1/4	6.85	2.17	0.69	5.63	1.34	0.71	3.18	HC212x2-1/4		
HCSLF212x2-3/8		2-3/8								HC212x2-3/8		
HCSLF212x2-7/16		2-7/16								HC212x2-7/16		

Note: Set Screw or Adapter Lock Bearings also available from stock.

# 4-Bolt Flange



## HCSLF 200 PTI Series

Normal Duty Bearing

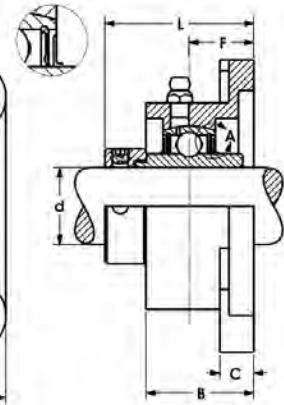
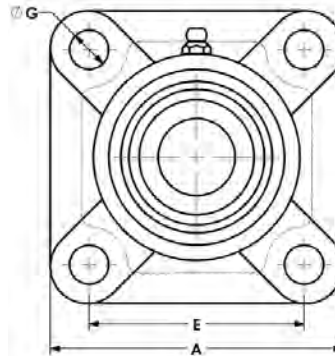
Cast Iron Housing

Eccentric Lock

Metric and Inch Bores



Models Available



Part No.	Shaft Size d		Dimensions (mm) (in)							Bearing No.	Housing No.	Wt. kg
	mm	in	A	B	C	E	F	G	L			
SASLF201-12MM SASLF202-15MM SASLF203-17MM SASLF201-8 SASLF202-10 SASLF203-11	12 15 17	 1/2 5/8 11/16	76 3.00	28 1.10	9.5 0.37	54 2.12	16.7 0.66	10.3 0.41	40.1 1.58	SA201-12MM SA202-15MM SA203-17MM SA201-8 SA202-10 SA203-11	SLF203	0.5
HCSLF204-20MM HCSLF204-12	20	3/4	86 3.39	33 1.30	9.5 0.37	63.5 2.50	21 0.83	10.3 0.41	47.6 1.87	HC204-20MM HC204-12	SLF204	0.6
HCSLF205-25MM HCSLF205-14 HCSLF205-15 HCSLF205-16	25	7/8 15/16 1	95 3.74	35 1.38	11 0.43	69.8 2.75	21 0.83	12.7 0.50	47.9 1.89	HC205-25MM HC205-14 HC205-15 HC205-16	SLF205	0.8
HCSLF206-30MM HCSLF206-18 HCSLF206-19 HCSLF206-20	30	1-1/8 1-3/16 1-1/4	108 4.25	37 1.46	12.7 0.50	82.5 3.25	22.6 0.89	12.7 0.50	52.7 2.07	HC206-30MM HC206-18 HC206-19 HC206-20	SLF206	1.1
HCSLF207-35MM HCSLF207-20 HCSLF207-22 HCSLF207-23	35	1-1/4 1-3/8 1-7/16	117 4.61	38 1.50	12.7 0.50	92 3.62	22.6 0.89	14 0.55	54.3 2.14	HC207-35MM HC207-20 HC207-22 HC207-23	SLF207	1.5
HCSLF208-40MM HCSLF208-24	40	1-1/2	130 5.12	41 1.61	16 0.63	101.6 4.00	24.6 0.97	14 0.55	59.5 2.34	HC208-40MM HC208-24	SLF208	1.8
HCSLF209-45MM HCSLF209-26 HCSLF209-27 HCSLF209-28	45	1-5/8 1-11/16 1-3/4	136 5.35	42 1.65	16 0.63	105 4.13	24.6 0.97	16 0.63	59.5 2.34	HC209-45MM HC209-26 HC209-27 HC209-28	SLF209	2.3
HCSLF210-50MM HCSLF210-30 HCSLF210-31 HCSLF210-32	50	1-7/8 1-15/16 2	143 5.63	46 1.81	16 0.63	111 4.37	27.8 1.09	16 0.63	65.9 2.59	HC210-50MM HC210-30 HC210-31 HC210-32	SLF210	2.6
HCSLF211-55MM HCSLF211-32 HCSLF211-34 HCSLF211-35	55	2 2-1/8 2-3/16	162 6.38	50 1.97	17.5 0.69	130 5.12	31 1.22	18 0.71	74.6 2.94	HC211-55MM HC211-32 HC211-34 HC211-35	SLF211	3.4
HCSLF212-60MM HCSLF212-36 HCSLF212-38 HCSLF212-39	60	2-1/4 2-3/8 2-7/16	174 6.85	55 2.17	17.5 0.69	143 5.63	34 1.34	18 0.71	80.8 3.18	HC212-60MM HC212-36 HC212-38 HC212-39	SLF212	4.3

Note: Set Screw or Adapter Lock Bearings also available from stock.

# 4-Bolt Flange



## CLF 200 PTI Series

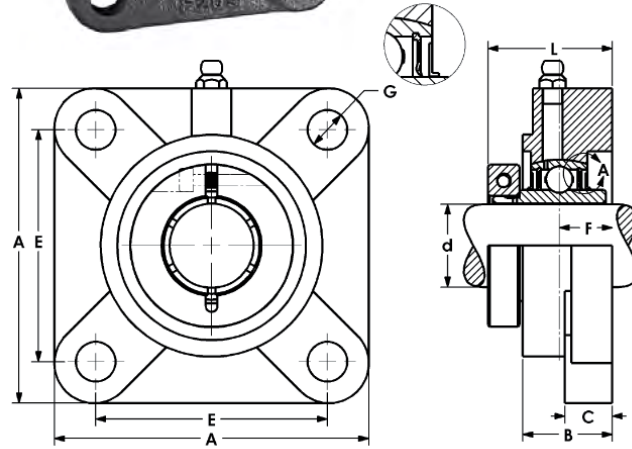
Normal Duty Bearing  
Cast Iron Housing  
Concentric Locking Collar  
Metric and Inch Bores



The locking collar provides for a concentric fit to the shaft



Models Available



Part No.	Shaft Size d		Dimensions (mm) (in)							Bearing No.	Housing No.	Wt. kg
	mm	in	A	B	C	E	F	G	L			
CLF204-20MM	20		86	25.5	12	64	15	12	34.8	CL204-20MM	F204	0.5
CLF204-12		3/4	3.39	1.00	0.47	2.52	0.59	0.47	1.37	CL204-12		
CLF205-25MM	25		95	27	14.3	70	16	12	38.1	CL205-25MM	F205	0.7
CLF205-14		7/8	3.74	1.06	0.56	2.76	0.63	0.47	1.50	CL205-14		
CLF205-15		15/16								CL205-15		
CLF205-16		1								CL205-16		
CLF206-30MM	30		108	31	14.3	83	18	12	41.8	CL206-30MM	F206	0.9
CLF206-18		1-1/8	4.25	1.22	0.56	3.27	0.71	0.47	1.65	CL206-18		
CLF206-19		1-3/16								CL206-19		
CLF206-20		1-1/4								CL206-20		
CLF207-35MM	35		117	34	15.5	92	19	14	46.0	CL207-35MM	F207	1.1
CLF207-20		1-1/4	4.61	1.34	0.61	3.62	0.75	0.55	1.81	CL207-20		
CLF207-22		1-3/8								CL207-22		
CLF207-23		1-7/16								CL207-23		
CLF208-40MM	40		130	36	15.5	102	21	16	52.8	CL208-40MM	F208	1.2
CLF208-24		1-1/2	5.12	1.42	0.61	4.02	0.83	0.63	2.08	CL208-24		
CLF209-45MM	45		137	38	17.5	105	22	16	53.8	CL209-45MM	F209	1.6
CLF209-26		1-5/8	5.39	1.50	0.69	4.13	0.87	0.63	2.12	CL209-26		
CLF209-27		1-11/16								CL209-27		
CLF209-28		1-3/4								CL209-28		
CLF210-50MM	50		143	40	17	111	22	16	56.1	CL210-50MM	F210	1.9
CLF210-31		1-15/16	5.63	1.57	0.67	4.37	0.87	0.63	2.21	CL210-31		
CLF210-32		2								CL210-32		
CLF211-55MM	55		162	43	19.5	130	25	19	59.9	CL211-55MM	F211	2.3
CLF211-32		2	6.38	1.69	0.77	5.12	0.98	0.75	2.36	CL211-32		
CLF211-34		2-1/8								CL211-34		
CLF211-35		2-3/16								CL211-35		
CLF212-60MM	60		175	48	19.5	143	29	19	70.3	CL212-60MM	F212	3.4
CLF212-36		2-1/4	6.89	1.89	0.77	5.63	1.14	0.75	2.77	CL212-36		
CLF212-38		2-3/8								CL212-38		
CLF212-39		2-7/16								CL212-39		

Note: Other sizes available on request.

# 4-Bolt Flange

## GSHF 200 PTI Series

Thin Adapter Lock

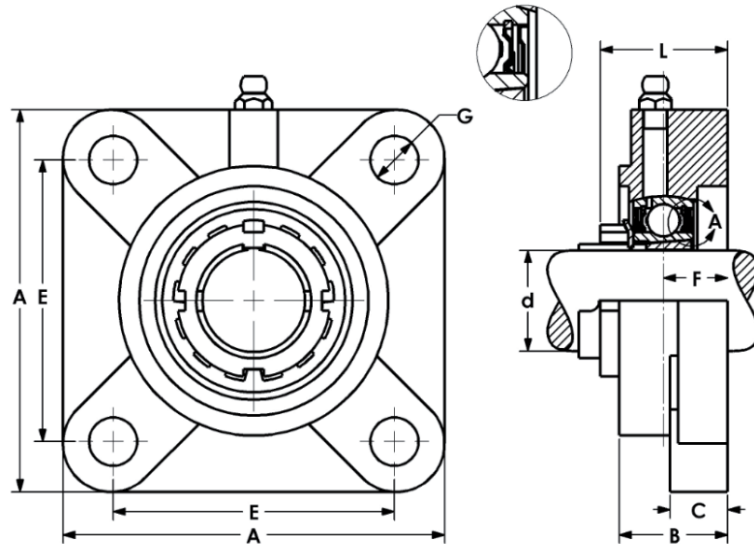
Normal Duty Bearing

Cast Iron Housing

Metric and Inch Bores



Models Available



Part No.	Shaft Size d		Dimensions (mm) (in)							Bearing No.	Adapter No.	Housing No.	Wt. kg
	mm	in	A	B	C	E	F	G	L				
GSHF204-20MM GSHF204-12	20	3/4	86 3.39	25.5 1.00	12 0.47	64 2.52	15 0.59	12 0.47	33.9 1.33	GSH204	H204GSH-20MM H204GSH-12	F204	0.6
GSHF205-25MM GSHF205-15 GSHF205-16	25	15/16 1	95 3.74	27 1.06	14.3 0.56	70 2.76	16 0.63	12 0.47	33.0 1.30	GSH205	H205GSH-25MM H205GSH-15 H205GSH-16	F205	0.8
GSHF206-30MM GSHF206-19	30	1-3/16	108 4.25	31 1.22	14.3 0.56	83 3.27	18 0.71	12 0.47	40.7 1.60	GSH206	H206GSH-30MM H206GSH-19	F206	1.1
GSHF207-35MM GSHF207-20 GSHF207-22	35	1-1/4 1-3/8	117 4.61	34 1.34	15.5 0.61	92 3.62	19 0.75	14 0.55	43.6 1.72	GSH207	H207GSH-35MM H207GSH-20 H207GSH-22	F207	1.5
GSHF208-40MM GSHF208-24	40	1-1/2	130 5.12	36 1.42	15.5 0.61	102 4.02	21 0.83	16 0.63	48.9 1.93	GSH208	H208GSH-40MM H208GSH-24	F208	1.8
GSHF209-45MM GSHF209-28	45	1-3/4	137 5.39	38 1.50	17.5 0.69	105 4.13	22 0.87	16 0.63	49.6 1.95	GSH209	H209GSH-45MM H209GSH-28	F209	2.3
GSHF210-50MM GSHF210-31 GSHF210-32	50	1-15/16 2	143 5.63	40 1.57	17 0.67	111 4.37	22 0.87	16 0.63	48.4 1.91	GSH210	H210GSH-50MM H210GSH-31 H210GSH-32	F210	2.6

# 4-Bolt Flange



## UKF 200 PTI Series

Normal Duty Bearing

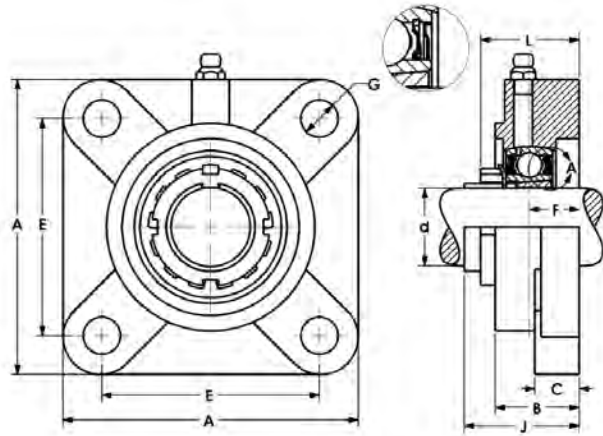
Cast Iron Housing

Adapter Sleeve Lock

Metric and Inch Bores



Models Available



Part No.	Shaft Size d		Dimensions (mm) (in)								Bearing No.	Adapter Sleeve No.	Housing No.	Wt. kg
	mm	in	A	B	C	E	F	G	J	L				
UKF205-20MM UKF205-12	20	3/4	95 3.74	27 1.06	14.3 0.55	70 2.76	16 0.63	12 0.47	35.05 1.39	35 1.38	UK205	H2325 x 20MM H2325 x 3/4	F205	0.8
UKF206-25MM UKF206-14 UKF206-15 UKF206-16	25	7/8 15/16 1	108 4.25	31 1.22	14.3 0.56	83 3.27	18 0.71	12 0.47	39 1.54	38 1.49	UK206	H2326 x 25MM H2326 x 7/8 H2326 x 15/16 H2326 x 1	F206	1.1
UKF207-30MM UKF207-19	30	1-3/16	117 4.61	34 1.34	15.5 0.61	92 3.62	19 0.75	14 0.55	41.5 1.63	43 1.69	UK207	H2327 x 30MM H2327 x 1-3/16	F207	1.5
UKF208-35MM UKF208-20 UKF208-22	35	1-1/4 1-3/8	130 5.12	36 1.42	15.5 0.61	102 4.02	21 0.83	16 0.63	45.5 1.79	46 1.81	UK208	H2328 x 35MM H2328 x 1-1/4 H2328 x 1-3/8	F208	1.8
UKF209-40MM UKF209-23 UKF209-24	40	1-7/16 1-1/2	137 5.39	38 1.50	17.5 0.69	105 4.13	22 0.87	16 0.63	48 1.89	50 1.97	UK209	H2329 x 40MM H2329 x 1-7/16 H2329 x 1-1/2	F209	2.3
UKF210-45MM UKF210-27 UKF210-28	45	1-11/16 1-3/4	143 5.63	40 1.57	17 0.69	111 4.37	22 0.87	16 0.63	49.5 1.95	55 2.17	UK210	H2310 x 45MM H2310 x 1-11/16 H2310 x 1-3/4	F210	2.6
UKF211-50MM UKF211-30 UKF211-31 UKF211-32	50	1-7/8 1-15/16 2	162 6.38	43 1.69	19.5 0.77	130 5.12	25 0.98	19 0.75	53.5 2.11	59 2.32	UK211	H2311 x 50MM H2311 x 1-7/8 H2311 x 1-15/16 H2311 x 2	F211	3.4
UKF212-55MM —	55	—	175 6.89	48 1.89	19.5 0.77	143 5.63	29 1.14	19 0.75	60 2.36	62 2.44	UK212	H2312 x 55MM —	F212	4.3
UKF213-60MM UKF213-35 UKF213-36 UKF213-38	60	2-3/16 2-1/4 2-3/8	187 7.36	50 1.97	23 0.91	149 5.87	30 1.18	19 0.75	63 2.48	65 2.56	UK213	H2313 x 60MM H2313 x 2-3/16 H2313 x 2-1/4 H2313 x 2-3/8	F213	5.7
UKF215-65MM UKF215-39 UKF215-40	65	2-7/16 2-1/2	200 7.87	56 2.20	23 0.91	159 6.26	34 1.34	19 0.75	69.5 2.74	73 2.87	UK215	H2315 x 65MM H2315 x 2-7/16 H2315 x 2-1/2	F215	6.7
UKF216-70MM UKF216-43 UKF216-44	70	2-11/16 2-3/4	208 8.19	58 2.28	24 0.94	165 6.50	34 1.34	23 0.91	73 2.87	78 3.07	UK216	H2316 x 70MM H2316 x 2-11/16 H2316 x 2-3/4	F216	7.9
UKF217-75MM UKF217-47 UKF217-48	75	2-15/16 3	220 8.66	63 2.48	25 0.98	175 6.89	36 1.42	23 0.91	77 3.03	82 3.23	UK217	H2317 x 75MM H2317 x 2-15/16 H2317 x 3	F217	10.7
UKF218-80MM UKF218-51 UKF218-52	80	3-3/16 3-1/4	235 9.25	68 2.68	26 1.02	187 7.36	40 1.57	23 0.91	82.5 3.25	86 3.39	UK218	H2318 x 80MM H2318 x 3-3/16 H2318 x 3-1/4	F218	12.8

Note: Other housings can be used. Shorter length through bore possible with H300 and SNW series adapters. See adapter section for dimensions.



# Medium Duty 4-Bolt Flange



## UCFX X00 PTI Series

Medium Duty Bearing

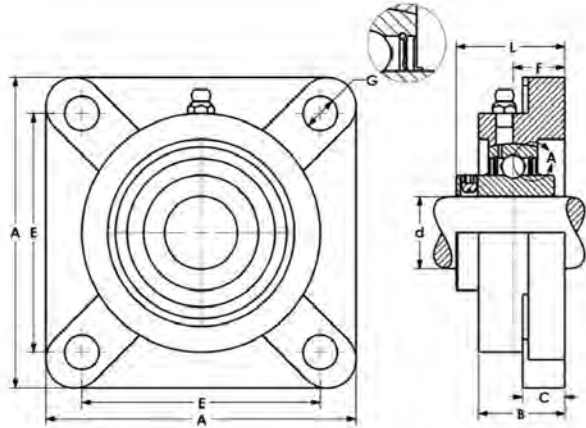
Cast Iron Housing

Set Screw Lock

Metric and Inch Bores



Models Available



Part No.	Shaft Size d		Dimensions (mm) (in)							Bearing No.	Housing No.	Wt. kg
	mm	in	A	B	C	E	F	G	L			
UCFX05-25MM	25		108	30	12.7	83	18	12	40.2	UCX05-25MM	FX05	1.4
UCFX05-16		1	4.25	1.18	0.50	3.27	0.71	0.47	1.58	UCX05-16		
UCFX06-30MM	30		117	34	14.3	92	19	16	44.4	UCX06-30MM		
UCFX06-18		1-1/8	4.61	1.34	0.56	3.62	0.75	0.63	1.75	UCX06-18	FX06	1.8
UCFX06-19		1-3/16								UCX06-19		
UCFX06-20		1-1/4								UCX06-20		
UCFX07-35MM	35		130	38	14.3	102	21	16	51.2	UCX07-35MM		
UCFX07-20		1-1/4	5.12	1.50	0.56	4.02	0.83	0.63	2.02	UCX07-20	FX07	2.3
UCFX07-23		1-7/16								UCX07-23		
UCFX08-40MM	40		137	40	14.3	105	22	19	52.2	UCX08-40MM		
UCFX08-24		1-1/2	5.39	1.57	0.56	4.13	0.87	0.75	2.06	UCX08-24	FX08	2.8
UCFX09-45MM	45		143	40	14.3	111	23	19	55.6	UCX09-45MM		
UCFX09-27		1-11/16	5.63	1.57	0.56	4.37	0.91	0.75	2.19	UCX09-27	FX09	3.2
UCFX09-28		1-3/4								UCX09-28		
UCFX10-50MM	50		162	44	19.8	130	26	19	59.4	UCX10-50MM		
UCFX10-30		1-7/8	6.38	1.73	0.78	5.12	1.02	0.75	2.34	UCX10-30	FX10	4.0
UCFX10-31		1-15/16								UCX10-31		
UCFX10-32		2								UCX10-32		
UCFX11-55M	55		175	49	19.8	143	29	19	68.7	UCX11-55MM		
UCFX11-35		2-3/16	6.89	1.93	0.78	5.63	1.14	0.75	2.70	UCX11-35	FX11	5.1
UCFX11-36		2-1/4								UCX11-36		
UCFX12-60MM	60		187	59	20.6	149	34	19	73.7	UCX12-60MM		
UCFX12-39		2-7/16	7.36	2.32	0.81	5.87	1.34	0.75	2.90	UCX12-39	FX12	5.6
UCFX13-65MM	65		187	59	20.6	149	34	19	78.4	UCX13-65MM		
UCFX13-39		2-7/16	7.36	2.32	0.81	5.87	1.34	0.75	3.09	UCX13-39	FX13	7.4
UCFX13-40		2-1/2								UCX13-40		
UCFX14-70MM	70		197	60	23.8	152	37	23	81.5	UCX14-70MM		
UCFX14-43		2-11/16	7.76	2.36	0.94	5.98	1.46	0.91	3.21	UCX14-43	FX14	8.3
UCFX15-75MM	75		197	68	23.8	152	40	23	89.2	UCX15-75MM		
UCFX15-47		2-15/16	7.76	2.68	0.94	5.98	1.57	0.91	3.51	UCX15-47	FX15	10.0
UCFX15-48		3								UCX15-48		
UCFX17-85MM	85		214	70	23.8	171	40	23	96.3	UCX17-85MM		
UCFX17-55		3-7/16	8.43	2.76	0.94	6.73	1.57	0.91	3.79	UCX17-55	FX17	12.0
UCFX17-56		3-1/2								UCX17-56		
UCFX18-90MM	90		214	75	23.8	171	45	23	106	UCX18-90MM		
UCFX18-56		3-1/2	8.43	2.95	0.94	6.73	1.77	0.91	4.17	UCX18-56	FX18	12.5
UCFX20-100MM	100		268	97	31	211	59	31	128	UCX20-100MM		
UCFX20-63		3-15/16	10.55	3.82	1.22	8.31	2.32	1.22	5.04	UCX20-63	FX20	17.0
UCFX20-64		4								UCX20-64		

# Heavy Duty 4-Bolt Flange

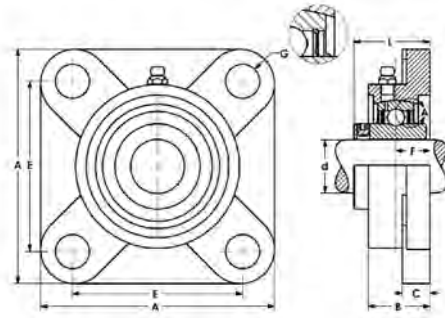


## UCF 300 PTI Series

**Cast Iron Housing**  
**Set Screw Lock**  
**Metric and Inch Bores**



Models Available



Part No.	Shaft Size d		Dimensions (mm) (in)							Bearing No.	Housing No.	Wt. kg
	mm	in	A	B	C	E	F	G	L			
UCF305-25MM	25		110	29	13	80	16	16	39	UC305-25MM	F305	1.2
UCF305-14		7/8	4.33	1.14	0.50	3.150	0.63	0.63	1.54	UC305-14		
UCF305-16		1								UC305-16		
UCF306-30MM	30		125	32	15	95	18	16	44	UC306-30MM	F306	1.8
UCF306-18		1-1/8	4.92	1.26	0.60	3.740	0.71	0.63	1.73	UC306-18		
UCF306-19		1-3/16								UC306-19		
UCF307-35MM	35		135	36	16	100	20	19	49	UC307-35MM	F307	2.3
UCF307-20		1-1/4	5.31	1.42	0.63	3.937	0.79	0.75	1.93	UC307-20		
UCF307-22		1-3/8								UC307-22		
UCF307-23		1-7/16								UC307-23		
UCF308-40MM	40		150	40	17	112	23	19	56	UC308-40MM	F308	2.9
UCF308-24		1-1/2	5.91	1.57	0.67	4.409	0.91	0.75	2.20	UC308-24		
UCF309-45MM	45		160	44	18	125	25	19	60	UC309-45MM	F309	3.6
UCF309-27		1-11/16	6.30	1.73	0.70	4.921	0.98	0.75	2.36	UC309-27		
UCF309-28		1-3/4								UC309-28		
UCF310-50MM	50		175	48	19	132	28	23	67	UC310-50MM	F310	4.7
UCF310-30		1-7/8	6.89	1.89	0.75	5.197	1.10	0.91	2.64	UC310-30		
UCF310-31		1-15/16								UC310-31		
UCF311-55MM	55		185	52	20	140	30	23	71	UC311-55MM	F311	5.7
UCF311-32		2	7.28	2.05	0.79	5.512	1.18	0.91	2.80	UC311-32		
UCF311-35		2-3/16								UC311-35		
UCF312-60MM	60		195	56	22	150	33	23	78	UC312-60MM	F312	6.8
UCF312-39		2-7/16	7.68	2.20	0.87	5.906	1.30	0.91	3.07	UC312-39		
UCF313-65MM	65		208	58	22	166	33	23	78	UC313-65MM	F313	7.7
UCF313-40		2-1/2	8.19	2.28	0.87	6.535	1.30	0.91	3.07	UC313-40		
UCF314-70MM	70		226	61	25	178	36	25	81	UC314-70MM	F314	9.6
UCF314-44		2-3/4	8.90	2.40	0.98	7.008	1.42	0.98	3.19	UC314-44		
UCF315-75MM	75		236	66	25	184	39	25	89	UC315-75MM	F315	11.5
UCF315-47		2-15/16	9.29	2.60	0.98	7.244	1.54	0.98	3.50	UC315-47		
UCF315-48		3								UC315-48		
UCF316-80MM	80		250	68	27	196	38	31	90	UC316-80MM	F316	13.5
UCF316-51		3-3/16	9.84	2.68	1.06	7.717	1.50	1.22	3.54	UC316-51		
UCF317-85MM	85		260	74	27	204	44	31	100	UC317-85MM	F317	15.2
UCF317-52		3-1/4	10.24	2.91	1.06	8.031	1.73	1.22	3.94	UC317-52		
UCF318-90MM	90		280	76	30	216	44	35	100	UC318-90MM	F318	18.9
UCF318-56		3-1/2	11.02	2.99	1.18	8.504	1.73	1.38	3.94	UC318-56		
UCF319-95MM	95		290	94	30	228	59	35	121	UC319-95MM	F319	22.3
UCF319-60		3-3/4	11.42	3.70	1.18	8.976	2.32	1.38	4.76	UC319-60		
UCF320-100MM	100		310	94	32	242	59	38	125	UC320-100MM	F320	26.1
UCF320-63		3-15/16	12.20	3.70	1.25	9.528	2.32	1.50	4.92	UC320-63		
UCF320-64		4								UC320-64		
UCF322-110MM	110	—	340	96	35	266	60	41	131	UC322-110MM	F322	35.3
UCF324-120MM	120	—	370	110	40	290	65	41	140	UC324-120MM	F324	47.2
UCF326-130MM	130	—	410	115	45	320	65	41	146	UC326-130MM	F326	64.5
UCF328-140MM	140	—	450	125	55	350	75	41	161	UC328-140MM	F328	93.3

# 4-Bolt Flange

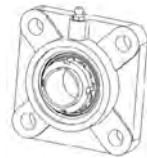
## UKF 300 PTI Series

Heavy Duty Bearing

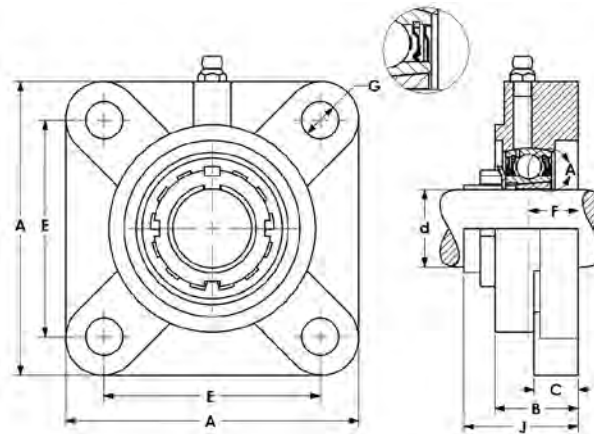
Cast Iron Housing

Adapter Lock

Metric and Inch Bores



Models Available



Part No.	Shaft Size d		Dimensions (mm) (in)							Bearing No.	Adapter No.	Housing No.	Wt. kg
	mm	in	A	B	C	E	F	G	J				
UKF305-20MM	20		110	29	13	80	16	16	37	UK305	H2305 x 20MM	F305	0.8
UKF305-12		3/4	4.33	1.14	0.51	3.15	0.63	0.63	1.457		H2305 x 3/4		
UKF306-25MM	25		125	32	15	95	18	16	40.5	UK306	H2306 x 25MM	F306	1.8
UKF306-16		1	4.92	1.26	0.59	3.74	0.71	0.63	1.595		H2306 x 1		
UKF307-30MM	30		135	36	16	100	20	19	44.5	UK307	H2307 x 30MM	F307	2.2
UKF307-18		1-1/8	5.31	1.42	0.63	3.94	0.79	0.75	1.752		H2307 x 1-1/8		
UKF308-35MM	35		150	40	17	112	23	19	50	UK308	H2308 x 35MM	F308	3.1
UKF308-20		1-1/4	5.91	1.57	0.67	4.41	0.91	0.75	1.969		H2308 x 1-1/4		
UKF308-22		1-3/8									H2308 x 1-3/8		
UKF309-40MM	40		160	44	18	125	25	19	54.5	UK309	H2309 x 40MM	F309	3.7
UKF309-24		1-1/2	6.30	1.73	0.71	4.92	0.98	0.75	2.146		H2309 x 1-1/2		
UKF310-45MM	45		175	48	19	132	28	23	60	UK310	H2310 x 45MM	F310	4.9
UKF310-28		1-3/4	6.89	1.89	0.75	5.20	1.18	0.91	2.362		H2310 x 1-3/4		
UKF311-50MM	50		185	52	20	140	30	23	63.5	UK311	H2311 x 50MM	F311	5.8
UKF311-30		1-7/8	7.28	2.05	0.79	5.51	1.18	0.91	2.052		H2311 x 1-7/8		
UKF311-32		2									H2311 x 2		
UKF312-55MM	55		195	56	22	150	33	23	69	UK312	H2312 x 55MM	F312	6.8
UKF312-34		2-1/8	7.68	2.20	0.87	5.91	1.30	0.91	2.717		H2312 x 2-1/8		
UKF313-60MM	60		208	58	22	166	33	23	71	UK313	H2313 x 60MM	F313	7.8
UKF313-36		2-1/4	8.19	2.28	0.87	6.54	1.30	0.91	2.795		H2313 x 2-1/4		
UKF313-38		2-3/8									H2313 x 2-3/8		
UKF315-65MM	65		226	66	25	184	39	25	81	UK315	H2315 x 65MM	F315	12.0
UKF315-40		2-1/2	8.90	2.60	0.98	7.24	1.54	0.98	3.189		H2315 x 2-1/2		
UKF316-70MM	70		236	68	27	196	38	31	83.5	UK316	H2316 x 70MM	F316	14.5
UKF316-44		2-3/4	9.29	2.68	1.06	7.72	1.50	1.22	3.287		H2316 x 2-3/4		
UKF317-75MM	75		250	74	27	204	44	31	92	UK17	H2317 x 75MM	F17	15.3
UKF317-48		3	9.84	2.91	1.06	8.03	1.73	1.22	3.662		H2317 x 3		
UKF318-80MM	80		260	76	30	216	44	35	93.5	UK318	H2318 x 80MM	F318	19.3
UKF318-50		3-1/8	10.24	2.99	1.18	8.50	1.73	1.38	3.681		H2318 x 3-1/8		
UKF319-85MM	85		280	94	30	228	59	35	111	UK319	H2319 x 85MM	F319	21.0
UKF319-52		3-1/4	11.02	3.70	1.18	8.98	2.32	1.38	4.37		H2319 x 3-1/4		
UKF320-90MM	90		290	94	32	242	59	38	115	UK320	H2320 x 90MM	F320	25.1
UKF320-56		3-1/2	11.42	3.70	1.26	9.53	2.32	1.50	4.528		H2320 x 3-1/2		
UKF322-100MM	100		340	96	35	266	60	41	121	UK322	H2322 x 100MM	F322	35.3
UKF322-64		4	13.39	3.78	1.38	10.47	2.36	1.61	4.764		H2322 x 4		

# Piloted 4-Bolt Flange



## UCFC 200 Euro Series

Normal Duty Bearing

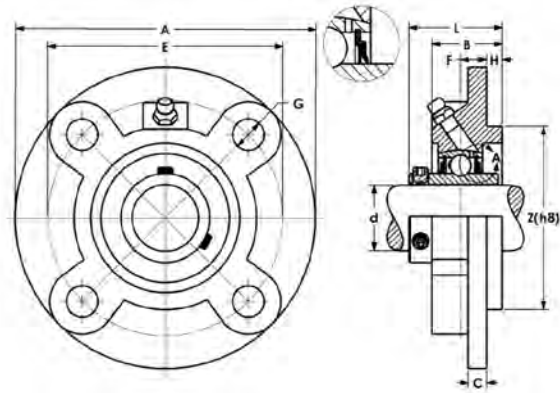
Cast Iron Housing

Set Screw Lock

Metric and Inch Bores



Models Available



Part No.	Shaft Size d		Dimensions (mm) (in)									Bearing No.	Housing No.	Wt. kg
	mm	in	A	B	C	E	F	G	H	L	Z(h8)			
UCFC204 x 20MM UCFC204 x 3/4	20	3/4	100 3.94	25.5 1.0	7 0.28	78 3.07	10 0.39	12 0.47	5 0.20	33.3 1.31	62 2.44	UC204 x 20MM UC204 x 3/4	FC204	0.7
UCFC205 x 25MM UCFC205 x 7/8 UCFC205 x 15/16 UCFC205 x 1	25	7/8 15/16 1	115 4.53	27 1.06	7 0.28	90 3.54	10 0.39	12 0.47	6 0.24	35.8 1.41	70 2.76	UC205 x 25MM UC205 x 7/8 UC205 x 15/16 UC205 x 1	FC205	1.0
UCFC206 x 30MM UCFC206 x 1-1/8 UCFC206 x 1-3/16 UCFC206 x 1-1/4	30	1-1/8 1-3/16 1-1/4	125 4.92	31 1.22	8 0.31	100 3.94	10 0.39	12 0.47	8 0.31	40.2 1.58	80 3.15	UC206 x 30MM UC206 x 1-1/8 UC206 x 1-3/16 UC206 x 1-1/4	FC206	1.5
UCFC207 x 35MM UCFC207 x 1-1/4 UCFC207 x 1-3/8 UCFC207 x 1-7/16	35	1-1/4 1-3/8 1-7/16	135 5.31	34 1.34	9 0.35	110 4.33	11 0.43	12 0.47	8 0.31	44.4 1.75	90 3.54	UC207 x 35MM UC207 x 1-1/4 UC207 x 1-3/8 UC207 x 1-7/16	FC207	1.7
UCFC208 x 40MM UCFC208 x 1-1/2	40	1-1/2	145 5.71	36 1.42	9 0.35	120 4.72	11 0.43	14 0.55	10 0.39	51.2 2.02	100 3.94	UC208 x 40MM UC208 x 1-1/2	FC208	2.2
UCFC209 x 45MM UCFC209 x 1-5/8 UCFC209 x 1-11/16 UCFC209 x 1-3/4	45	1-5/8 1-11/16 1-3/4	160 6.30	38 1.50	14 0.55	132 5.20	10 0.39	16 0.63	12 0.47	52.2 2.06	105 4.13	UC209 x 45MM UC209 x 1-5/8 UC209 x 1-11/16 UC209 x 1-3/4	FC209	3.0
UCFC210 x 50MM UCFC210 x 1-7/8 UCFC210 x 1-15/16 UCFC210 x 2	50	1-7/8 1-15/16 2	165 6.50	40 1.57	14 0.55	138 5.43	10 0.39	16 0.63	12 0.47	54.6 2.15	110 4.33	UC210 x 50MM UC210 x 1-7/8 UC210 x 1-15/16 UC210 x 2	FC210	3.3
UCFC211 x 55MM UCFC211 x 2 UCFC211 x 2-1/8 UCFC211 x 2-3/16	55	2 2-1/8 2-3/16	185 7.28	43 1.69	15 0.59	150 5.91	13 0.51	19 0.75	12 0.47	58.4 2.3	125 4.92	UC211 x 55MM UC211 x 2 UC211 x 2-1/8 UC211 x 2-3/16	FC211	4.2
UCFC212 x 60MM UCFC212 x 2-1/4 UCFC212 x 2-3/8 UCFC212 x 2-7/16	60	2-1/4 2-3/8 2-7/16	195 7.68	48 1.89	15 0.59	160 6.30	17 0.67	19 0.75	12 0.47	68.7 2.7	135 5.31	UC212 x 60MM UC212 x 2-1/4 UC212 x 2-3/8 UC212 x 2-7/16	FC212	4.8
UCFC213 x 65MM UCFC213 x 2-1/2	65	2-1/2	205 8.07	50 1.97	15 0.59	170 6.69	16 0.63	19 0.75	14 0.55	69.7 2.74	145 5.71	UC213 x 65MM UC213 x 2-1/2	FC213	5.7
UCFC214 x 70MM UCFC214 x 2-11/16 UCFC214 x 2-3/4	70	2-11/16 2-3/4	215 8.46	54 2.13	18 0.71	177 6.97	17 0.67	19 0.75	14 0.55	75.4 2.97	150 5.91	UC214 x 70MM UC214 x 2-11/16 UC214 x 2-3/4	FC214	6.8
UCFC215 x 75MM UCFC215 x 2-3/4 UCFC215 x 2-15/16 UCFC215 x 3	75	2-3/4 2-15/16 3	220 8.66	56 2.20	18 0.71	184 7.24	18 0.71	19 0.75	16 0.63	78.5 3.09	160 6.30	UC215 x 75MM UC215 x 2-3/4 UC215 x 2-15/16 UC215 x 3	FC215	8.0
UCFC216 x 80MM UCFC216 x 3-1/8	80	3-1/8	240 9.45	58 2.28	18 0.71	200 7.87	18 0.71	23 0.91	16 0.63	83.2 3.28	170 6.69	UC216 x 80MM UC216 x 3-1/8	FC216	9.0

Note: Eccentric Collar and Adapter Lock Bearings also available from stock.

# Piloted 4-Bolt Flange

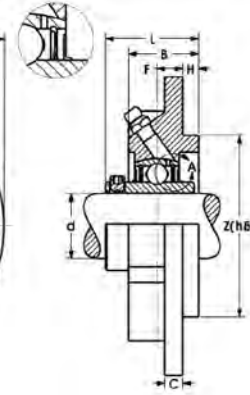
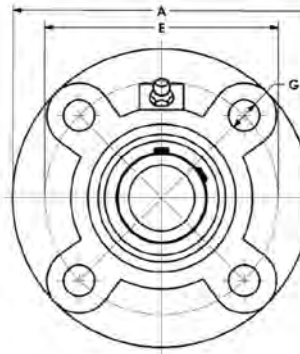


## UCFC 200 PTI Series

- Normal Duty Bearing
- Cast Iron Housing
- Set Screw Lock
- Metric and Inch Bores



Models Available



Part No.	Shaft Size d		Dimensions (mm) (in)									Bearing No.	Housing No.	Wt. kg
	mm	in	A	B	C	E	F	G	H	L	Z(h8)			
UCFC204-20MM UCFC204-12	20	3/4	100 3.94	25.5 1.0	7 0.28	78 3.07	10 0.39	12 0.47	5 0.20	33.3 1.31	62 2.44	UC204-20MM UC204-12	FC204	0.7
UCFC205-25MM UCFC205-14 UCFC205-15 UCFC205-16	25	7/8 15/16 1	115 4.53	27 1.06	7 0.28	90 3.54	10 0.39	12 0.47	6 0.24	35.8 1.41	70 2.76	UC205-25MM UC205-14 UC205-15 UC205-16	FC205	1.0
UCFC206-30MM UCFC206-18 UCFC206-19 UCFC206-20	30	1-1/8 1-3/16 1-1/4	125 4.92	31 1.22	8 0.31	100 3.94	10 0.39	12 0.47	8 0.31	40.2 1.58	80 3.15	UC206-30MM UC206-18 UC206-19 UC206-20	FC206	1.5
UCFC207-35MM UCFC207-20 UCFC207-22 UCFC207-23	35	1-1/4 1-3/8 1-7/16	135 5.31	34 1.34	9 0.35	110 4.33	11 0.43	12 0.47	8 0.31	44.4 1.75	90 3.54	UC207-35MM UC207-20 UC207-22 UC207-23	FC207	1.7
UCFC208-40MM UCFC208-24	40	1-1/2	145 5.71	36 1.42	9 0.35	120 4.72	11 0.43	14 0.55	10 0.39	51.2 2.02	100 3.94	UC208-40MM UC208-24	FC208	2.2
UCFC209-45MM UCFC209-26 UCFC209-27 UCFC209-28	45	1-5/8 1-11/16 1-3/4	160 6.30	38 1.50	14 0.55	132 5.20	10 0.39	16 0.63	12 0.47	52.2 2.06	105 4.13	UC209-45MM UC209-26 UC209-27 UC209-28	FC209	3.0
UCFC210-50MM UCFC210-30 UCFC210-31 UCFC210-32	50	1-7/8 1-15/16 2	165 6.50	40 1.57	14 0.55	138 5.43	10 0.39	16 0.63	12 0.47	54.6 2.15	110 4.33	UC210-50MM UC210-30 UC210-31 UC210-32	FC210	3.3
UCFC211-55MM UCFC211-32 UCFC211-34 UCFC211-35	55	2 2-1/8 2-3/16	185 7.28	43 1.69	15 0.59	150 5.91	13 0.51	19 0.75	12 0.47	58.4 2.3	125 4.92	UC211-55MM UC211-32 UC211-34 UC211-35	FC211	4.2
UCFC212-60MM UCFC212-36 UCFC212-38 UCFC212-39	60	2-1/4 2-3/8 2-7/16	195 7.68	48 1.89	15 0.59	160 6.30	17 0.67	19 0.75	12 0.47	68.7 2.7	135 5.31	UC212-60MM UC212-36 UC212-38 UC212-39	FC212	4.8
UCFC213-65MM UCFC213-40	65	2-1/2	205 8.07	50 1.97	15 0.59	170 6.69	16 0.63	19 0.75	14 0.55	69.7 2.74	145 5.71	UC213-65MM UC213-40	FC213	5.7
UCFC214-70MM UCFC214-43 UCFC214-44	70	2-11/16 2-3/4	215 8.46	54 2.13	18 0.71	177 6.97	17 0.67	19 0.75	14 0.55	75.4 2.97	150 5.91	UC214-70MM UC214-43 UC214-44	FC214	6.8
UCFC215-75MM UCFC215-44 UCFC215-47 UCFC215-48	75	2-3/4 2-15/16 3	220 8.66	56 2.20	18 0.71	184 7.24	18 0.71	19 0.75	16 0.63	78.5 3.09	160 6.30	UC215-75MM UC215-44 UC215-47 UC215-48	FC215	8.0
UCFC216-80MM UCFC216-50	80	3-1/8	240 9.45	58 2.28	18 0.71	200 7.87	18 0.71	23 0.91	16 0.63	83.2 3.28	170 6.69	UC216-80MM UC216-50	FC216	9.0

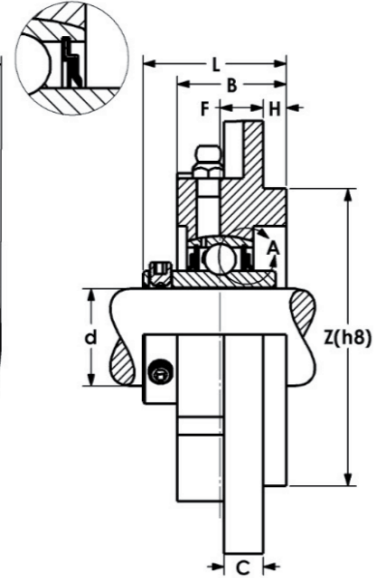
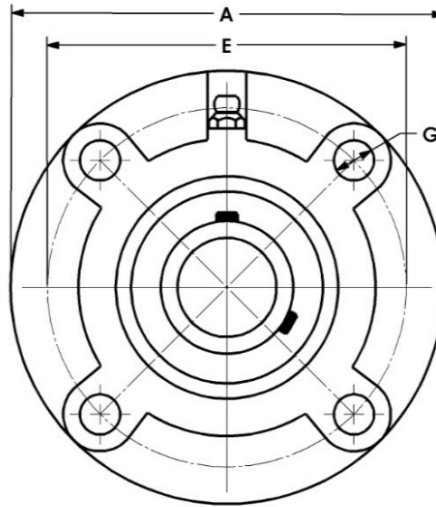
Note: Eccentric Collar and Adapter Lock Bearings also available from stock.

# Piloted 4-Bolt Flange



## FCF 200 Euro Series

Normal Duty Bearing  
Cast Iron Housing  
Set Screw Lock  
Metric and Inch Bores



Models Available

Part No.	Shaft Size d		Dimensions (mm) (in)										Bearing No.	Housing No.	Wt. kg
	mm	in	A	B	C	E	F	G	H	J	L	Z(h8)			
FCF205 x 25UMM	25		111	28	10	92.1	11	10.3	6	65.1	36.8	76.2	UC205 x 25MM	FCF205	1.22
FCF205 x 7/8U		7/8	4.37	1.10	0.39	3.63	0.43	0.41	0.24	2.56	1.45	3.00	UC205 x 7/8		
FCF205 x 15/16U		15/16											UC205 x 15/16		
FCF205 x 1U		1											UC205 x 1		
FCF206 x 30UMM	30		127	31	10	104.8	7.5	12	11	74.1	40.7	85.7	UC206 x 30MM	FCF206	1.59
FCF206 x 1-1/8U		1-1/8	5.0	1.22	0.39	4.13	0.30	0.47	0.43	2.92	1.60	3.37	UC206 x 1-1/8		
FCF206 x 1-3/16U		1-3/16											UC206 x 1-3/16		
FCF206 x 1-1/4U		1-1/4											UC206 x 1-1/4		
FCF207 x 35UMM	35		133	34	12	111.1	7.1	12	12	78.6	44.5	92.1	UC207 x 35MM	FCF207	2.07
FCF207 x 1-1/4U		1-1/4	5.24	1.34	0.47	4.37	0.28	0.47	0.47	3.09	1.75	3.63	UC207 x 1-1/4		
FCF207 x 1-3/8U		1-3/8											UC207 x 1-3/8		
FCF207 x 1-7/16U		1-7/16											UC207 x 1-7/16		
FCF208 x 40UMM	40		133	38	12	111.1	9.5	12	12	78.6	51.7	92.1	UC208 x 40MM	FCF208	2.23
FCF208 x 1-1/2U		1-1/2	5.24	1.50	0.47	4.37	0.37	0.47	0.47	3.09	2.04	3.63	UC208 x 1-1/2		
FCF209 x 45UMM	45		156	34	12	130.2	5.5	13.5	12	92.1	47.7	108	UC209 x 45MM	FCF209	3.0
FCF209 x 1-5/8U		1-5/8	6.14	1.34	0.47	5.13	0.22	0.53	0.47	3.63	1.88	4.25	UC209 x 1-5/8		
FCF209 x 1-11/16U		1-11/16											UC209 x 1-11/16		
FCF209 x 1-3/4U		1-3/4											UC209 x 1-3/4		
FCF210 x 50UMM	50		162	43	12	136.5	8.7	13.5	16	96.5	57.3	114.3	UC210 x 50MM	FCF210	3.3
FCF210 x 1-7/8U		1-7/8	6.38	1.69	0.47	5.37	0.34	0.53	0.63	3.80	2.26	4.50	UC210 x 1-7/8		
FCF210 x 1-15/16U		1-15/16											UC210 x 1-15/16		
FCF210 x 2U		2											UC210 x 2		
FCF211 x 55UMM	55		181	44	12	152.4	5.5	15	22	107.8	60.9	127	UC211 x 55MM	FCF211	4.22
FCF211 x 2U		2	7.13	1.73	0.47	6.0	0.22	0.59	0.87	4.24	2.40	5.00	UC211 x 2		
FCF211 x 2-1/8U		2-1/8											UC211 x 2-1/8		
FCF211 x 2-3/16U		2-3/16											UC211 x 2-3/16		

Note: Eccentric Collar and Adapter Lock Bearings also available from stock.

# Piloted 4-Bolt Flange



## FCF 200 PTI Series

Normal Duty Bearing

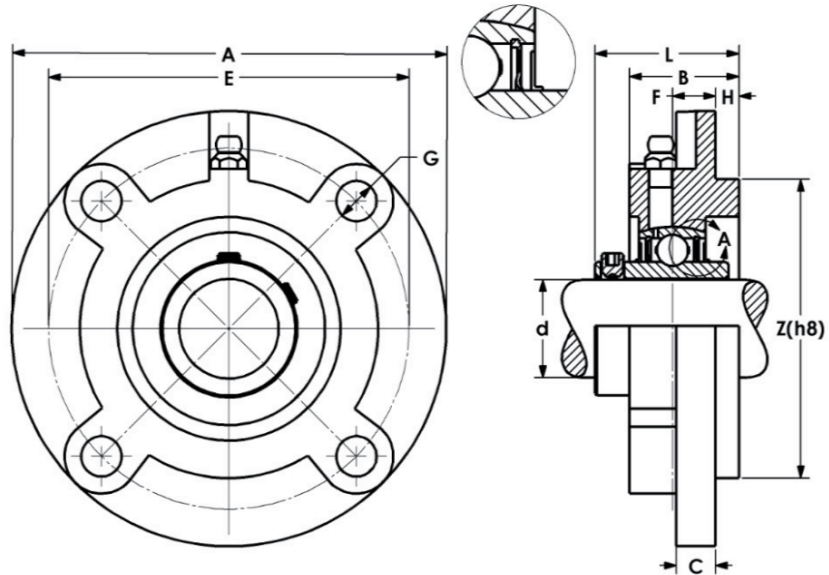
Cast Iron Housing

Set Screw Lock

Metric and Inch Bores



Models Available



Part No.	Shaft Size d		Dimensions (mm) (in)										Bearing No.	Housing No.	Wt. kg
	mm	in	A	B	C	E	F	G	H	J	L	Z(h8)			
FCF205-25UMM	25		111	28	10	92.1	11	10.3	6	65.1	36.8	76.2	UC205-25MM	FCF205	1.22
FCF205-14U		7/8	4.37	1.10	0.39	3.63	0.43	0.41	0.24	2.56	1.45	3.00	UC205-14		
FCF205-15U		15/16											UC205-15		
FCF205-16U		1											UC205-16		
FCF206-30UMM	30		127	31	10	104.8	7.5	12	11	74.1	40.7	85.7	UC206-30MM	FCF206	1.59
FCF206-18U		1-1/8	5.0	1.22	0.39	4.13	0.30	0.47	0.43	2.92	1.60	3.37	UC206-18		
FCF206-19U		1-3/16											UC206-19		
FCF206-20U		1-1/4											UC206-20		
FCF207-35UMM	35		133	34	12	111.1	7.1	12	12	78.6	44.5	92.1	UC207-35MM	FCF207	2.07
FCF207-20U		1-1/4	5.24	1.34	0.47	4.37	0.28	0.47	0.47	3.09	1.75	3.63	UC207-20		
FCF207-22U		1-3/8											UC207-22		
FCF207-23U		1-7/16											UC207-23		
FCF208-40UMM	40		133	38	12	111.1	9.5	12	12	78.6	51.7	92.1	UC208-40MM	FCF208	2.23
FCF208-24U		1-1/2	5.24	1.50	0.47	4.37	0.37	0.47	0.47	3.09	2.04	3.63	UC208-24		
FCF209-45UMM	45		156	34	12	130.2	5.5	13.5	12	92.1	47.7	108	UC209-45MM	FCF209	3.0
FCF209-26U		1-5/8	6.14	1.34	0.47	5.13	0.22	0.53	0.47	3.63	1.88	4.25	UC209-26		
FCF209-27U		1-11/16											UC209-27		
FCF209-28U		1-3/4											UC209-28		
FCF210-50UMM	50		162	43	12	136.5	8.7	13.5	16	96.5	57.3	114.3	UC210-50MM	FCF210	3.3
FCF210-30U		1-7/8	6.38	1.69	0.47	5.37	0.34	0.53	0.63	3.80	2.26	4.50	UC210-30		
FCF210-31U		1-15/16											UC210-31		
FCF210-32U		2											UC210-32		
FCF211-55UMM	55		181	44	12	152.4	5.5	15	22	107.8	60.9	127	UC211-55MM	FCF211	4.22
FCF211-32U		2	7.13	1.73	0.47	6.0	0.22	0.59	0.87	4.24	2.40	5.00	UC211-32		
FCF211-34U		2-1/8											UC211-34		
FCF211-35U		2-3/16											UC211-35		

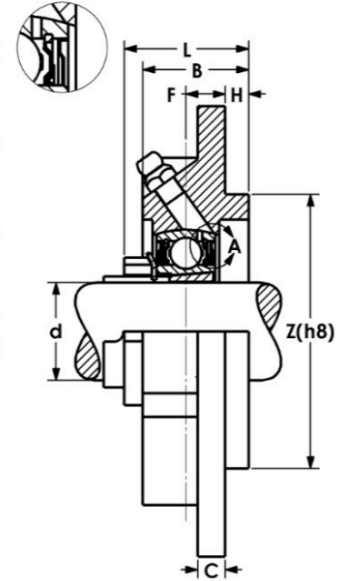
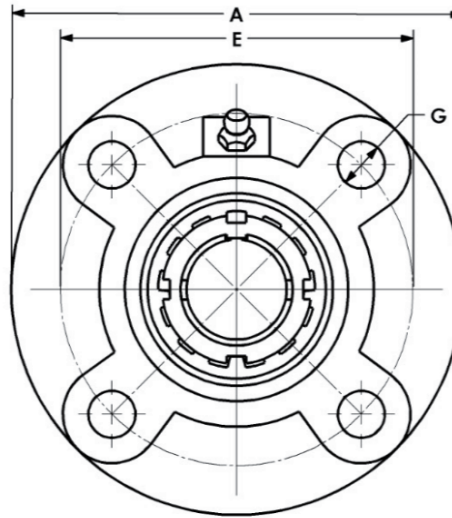
Note: Eccentric Collar and Adapter Lock Bearings also available from stock.

# Piloted 4-Bolt Flange



## GSHFC 200 PTI Series

Thin Adapter Lock  
Normal Duty Bearing  
Cast Iron Housing  
Metric and Inch Bores



Models Available

Part No.	Shaft Size d		Dimensions (mm) (in)									Bearing No.	Adapter No.	Housing No.	Wt. kg
	mm	in	A	B	C	E	F	G	H	L	Z(h8)				
GSHFC204-20MM	20		100	25.5	7	78	10	12	5	33.9	62	GSH204	H204GSH-20MM	FC204	0.7
GSHFC204-12		3/4	3.94	1.0	0.28	3.07	0.39	0.47	0.20	1.33	2.44		H204GSH-12		
GSHFC205-25MM	25		115	27	7	90	10	12	6	33.0	70	GSH205	H205GSH-25MM	FC205	1.0
GSHFC205-15		15/16	4.53	1.06	0.28	3.54	0.39	0.47	0.24	1.30	2.76		H205GSH-15		
GSHFC205-16		1											H205GSH-16		
GSHFC206-30MM	30		125	31	8	100	10	12	8	40.7	80	GSH206	H206GSH-30MM	FC206	1.5
GSHFC206-19		1-3/16	4.92	1.22	0.31	3.94	0.39	0.47	0.31	1.60	3.15		H206GSH-19		
GSHFC206-20		1-1/4											H206GSH-20		
GSHFC207-35MM	35		135	34	9	110	11	12	8	43.6	90	GSH207	H207GSH-35MM	FC207	1.7
GSHFC207-20		1-1/4	5.31	1.34	0.35	4.33	0.43	0.47	0.31	1.72	3.54		H207GSH-20		
GSHFC207-22		1-3/8											H207GSH-22		
GSHFC208-40MM	40		145	36	9	120	11	14	10	48.9	100	GSH208	H208GSH-40MM	FC208	2.2
GSHFC208-24		1-1/2	5.71	1.42	0.35	4.72	0.43	0.55	0.39	1.93	3.94		H208GSH-24		
GSHFC209-45MM	45		160	38	14	132	10	16	12	49.6	105	GSH209	H209GSH-45MM	FC209	3.0
—		—	6.30	1.50	0.55	5.20	0.39	0.63	0.47	1.95	4.13		—		
GSHFC210-50MM	50		165	40	14	138	10	16	12	48.4	110	GSH210	H210GSH-50MM	FC210	3.3
GSHFC210-31		1-15/16	6.50	1.57	0.55	5.43	0.39	0.63	0.47	1.91	4.33		H210GSH-31		
GSHFC210-32		2											H210GSH-32		



# Piloted 4-Bolt Flange

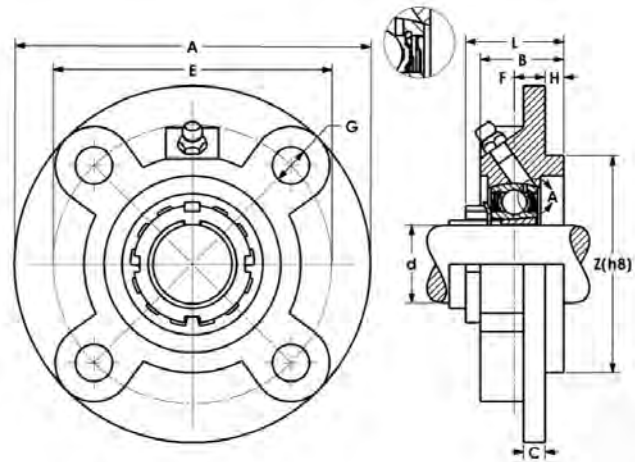


## UKFC 200 PTI Series

Normal Duty Bearing  
Cast Iron Housing  
Adapter Sleeve Lock  
Metric and Inch Bores



Models Available



Part No.	Shaft Size d		Dimensions (mm) (in)										Bearing No.	Adapter Sleeve No.	Housing No.	Wt. kg
	mm	in	A	B	C	E	F	G	H	J	L	Z(h8)				
UKFC205-20MM UKFC205-12	20 3/4		115 4.53	27 1.06	7 0.28	90 3.54	10 0.39	12 0.47	6 0.24	35.5 1.39	35 1.38	70 2.76	UK205	H2305 x 20MM H2305 x 3/4	FC205	1.0
UKFC206-25MM UKFC206-14 UKFC206-15 UKFC206-16	25 7/8 15/16 1		125 4.92	31 1.22	8 0.31	100 3.94	10 0.39	12 0.47	8 0.31	39 1.54	38 1.49	80 3.15	UK206	H2306 x 25MM H2306 x 7/8 H2306 x 15/16 H2306 x 1	FC206	1.5
UKFC207-30MM UKFC207-19	30 1-3/16		135 5.31	34 1.34	9 0.35	110 4.33	11 0.43	12 0.47	8 0.31	41.5 1.63	43 1.69	90 3.54	UK207	H2307 x 30MM H2307 x 1-3/16	FC207	1.7
UKFC208-35MM UKFC208-20 UKFC208-22	35 1-1/4 1-3/8		145 5.71	36 1.42	9 0.35	120 4.72	11 0.43	12 0.47	10 0.39	45.5 1.79	46 1.81	100 3.94	UK208	H2308 x 35MM H2308 x 1-1/4 H2308 x 1-3/8	FC208	2.2
UKFC209-40MM UKFC209-23 UKFC209-24	40 1-7/16 1-1/2		160 6.30	38 1.50	14 0.55	132 5.20	10 0.39	14 0.55	12 0.47	48 1.89	50 1.97	105 4.13	UK209	H2309 x 40MM H2309 x 1-7/16 H2309 x 1-1/2	FC209	3.0
UKFC210-45MM UKFC210-27 UKFC210-28	45 1-11/16 1-3/4		165 6.50	40 1.57	14 0.55	138 5.43	10 0.39	16 0.63	12 0.47	49.5 1.95	55 2.17	110 4.33	UK210	H2310 x 45MM H2310 x 1-11/16 H2310 x 1-3/4	FC210	3.3
UKFC211-50MM UKFC211-30 UKFC211-31 UKFC211-32	50 1-7/8 1-15/16 2		185 7.28	43 1.69	15 0.59	150 5.91	13 0.51	16 0.63	12 0.47	53.5 2.11	59 2.32	125 4.92	UK211	H2311 x 50MM H2311 x 1-7/8 H2311 x 1-15/16 H2311 x 2	FC211	4.2
UKFC212-55MM —	55 —		195 7.68	48 1.89	15 0.59	160 6.30	17 0.67	19 0.75	12 0.47	60 2.36	62 2.44	135 5.31	UK212	H2312 x 55MM —	FC212	4.8
UKFC213-60MM UKFC213-35 UKFC213-36 UKFC213-38	60 2-3/16 2-1/4 2-3/8		205 8.07	50 1.97	15 0.59	170 6.69	16 0.63	19 0.75	14 0.55	63 2.48	65 2.56	145 5.71	UK213	H2313 x 60MM H2313 x 2-3/16 H2313 x 2-1/4 H2313 x 2-3/8	FC213	5.7
UKFC215-65MM UKFC215-39 UKFC215-40	65 2-7/16 2-1/2		220 8.66	56 2.20	18 0.71	184 7.24	18 0.71	19 0.75	16 0.63	69.5 2.74	73 2.87	160 6.30	UK215	H2315 x 65MM H2315 x 2-7/16 H2315 x 2-1/2	FC215	8.0
UKFC216-70MM UKFC216-43 UKFC216-44	70 2-11/16 2-3/4		240 9.45	58 2.28	18 0.71	200 7.87	18 0.71	23 0.91	16 0.63	73 2.87	78 3.07	170 6.69	UK216	H2316 x 70MM H2316 x 2-11/16 H2316 x 2-3/4	FC216	9.0

Note: Shorter length through bore possible with H300 or SNW series adapters. See adapter section for dimensions.

# Piloted 4-Bolt Flange



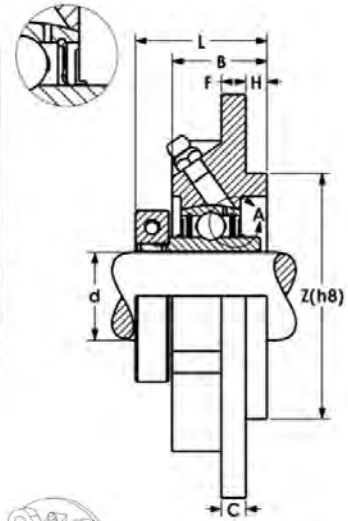
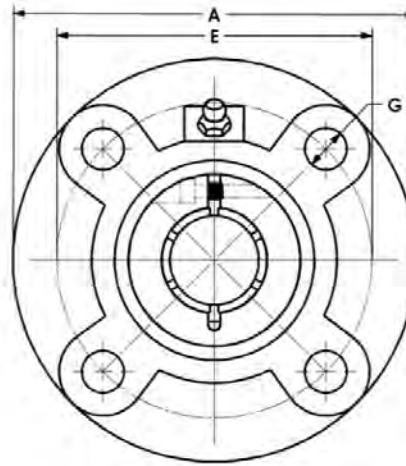
## CLFC 200 PTI Series

Normal Duty Bearing

Cast Iron Housing

Concentric Locking Collar

Metric and Inch Bores



The locking collar provides for a concentric fit to the shaft

Models Available



Part No.	Shaft Size d		Dimensions (mm) (in)									Bearing No.	Housing No.	Wt. kg
	mm	in	A	B	C	E	F	G	H	L	Z(h8)			
CLFC204-20MM CLFC204-12	20	3/4	100 3.94	25.5 1.0	7 0.28	78 3.07	10 0.39	11 0.43	5 0.20	34.8 1.37	62 2.44	CL204-20MM CL204-12	FC204	0.6
CLFC205-25MM CLFC205-14 CLFC205-15 CLFC205-16	25	7/8 15/16 1	115 4.53	27 1.06	7 0.28	90 3.54	10 0.39	12.5 0.49	6 0.24	38.2 1.50	70 2.76	CL205-25MM CL205-14 CL205-15 CL205-16	FC205	0.9
CLFC206-30MM CLFC206-18 CLFC206-19 CLFC206-20	30	1-1/8 1-3/16 1-1/4	125 4.92	31 1.22	8 0.31	100 3.94	10 0.39	12.5 0.49	8 0.31	41.8 1.65	80 3.15	CL206-30MM CL206-18 CL206-19 CL206-20	FC206	1.2
CLFC207-35MM CLFC207-20 CLFC207-22 CLFC207-23	35	1-1/4 1-3/8 1-7/16	135 5.31	34 1.34	9 0.35	110 4.33	11 0.43	12.5 0.49	8 0.31	46.0 1.81	90 3.54	CL207-35MM CL207-20 CL207-22 CL207-23	FC207	1.3
CLFC208-40MM CLFC208-24	40	1-1/2	145 5.71	36 1.42	9 0.35	120 4.72	11 0.43	12.5 0.49	10 0.39	52.8 2.08	100 3.94	CL208-40MM CL208-24	FC208	1.6
CLFC209-45MM CLFC209-26 CLFC209-27 CLFC209-28	45	1-5/8 1-11/16 1-3/4	160 6.30	38 1.50	14 0.55	132 5.20	10 0.39	14 0.55	12 0.47	53.8 2.12	105 4.13	CL209-45MM CL209-26 CL209-27 CL209-28	FC209	2.3
CLFC210-50MM CLFC210-31 CLFC210-32	50	1-15/16 2	165 6.50	40 1.57	14 0.55	138 5.43	10 0.39	13.5 0.53	12 0.47	56.1 2.21	110 4.33	CL210-50MM CL210-31 CL210-32	FC210	2.6
CLFC211-55MM CLFC211-32 CLFC211-34 CLFC211-35	55	2 2-1/8 2-3/16	185 7.28	43 1.69	15 0.59	150 5.91	13 0.51	17.5 0.69	12 0.47	59.9 2.36	125 4.92	CL211-55MM CL211-32 CL211-34 CL211-35	FC211	3.1
CLFC212-60MM CLFC212-36 CLFC212-38 CLFC212-39	60	2-1/4 2-3/8 2-7/16	195 7.68	48 1.89	15 0.59	160 6.30	17 0.67	19 0.75	12 0.47	70.3 2.77	135 5.31	CL212-60MM CL212-36 CL212-38 CL212-39	FC212	3.9

Note: Other sizes available on request.

# Medium Duty Piloted 4-Bolt Flange

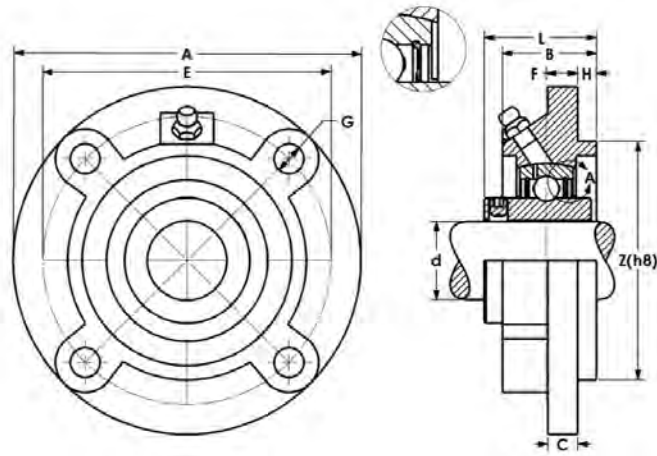


## UCFCX X00 PTI Series

- Medium Duty Bearing
- Cast Iron Housing
- Set Screw Lock
- Metric and Inch Bores



Models Available



Part No.	Shaft Size d		Dimensions (mm) (in)									Bearing No.	Housing No.	Wt. kg
	mm	in	A	B	C	E	F	G	H	L	Z(h8)			
UCFCX05-25MM UCFCX05-16	25	1	111 4.37	30 1.18	9.5 0.37	92 3.622	10 0.39	9.5 0.37	6 0.236	38.2 1.504	76.2 3.000	UCX05-25MM UCX05-16	FCX05	1.0
UCFCX06-30MM UCFCX06-18 UCFCX06-19 UCFCX06-20	30	1-1/8 1-3/16 1-1/4	127 5.00	32 1.26	9.5 0.37	105 4.134	8 0.31	12 0.47	9.5 0.374	42.9 1.689	85.7 3.374	UCX06-30MM UCX06-18 UCX06-19 UCX06-20	FCX06	1.5
UCFCX07-35MM UCFCX07-20 UCFCX07-23	35	1-1/4 1-7/16	133 5.24	37 1.46	11 0.43	111 4.370	9 0.35	12 0.47	11 0.433	50.2 1.976	92.1 3.626	UCX07-35MM UCX07-20 UCX07-23	FCX07	1.9
UCFCX08-40MM UCFCX08-24	40	1-1/2	133 5.24	37 1.46	11 0.43	111 4.370	9 0.35	12 0.47	11 0.433	50.2 1.976	92.1 3.626	UCX08-40MM UCX08-24	FCX08	1.9
UCFCX09-45MM UCFCX09-27 UCFCX09-28	45	1-11/16 1-3/4	155 6.10	37 1.46	11 0.43	130 5.118	8 0.31	14 0.55	12 0.472	52.6 2.071	108 4.252	UCX09-45MM UCX09-27 UCX09-28	FCX09	2.7
UCFCX10-50MM UCFCX10-31 UCFCX10-32	50	1-15/16 2	162 6.38	39 1.54	11 0.43	136 5.354	7 0.28	14 0.55	16 0.623	56.4 2.220	114.3 4.500	UCX10-50MM UCX10-31 UCX10-32	FCX10	3.2
UCFCX11-55MM UCFCX11-35 UCFCX11-36	55	2-3/16 2-1/4	180 7.09	48 1.89	13 0.51	152 5.984	4 0.16	16 0.63	22 0.866	65.7 2.586	127 5.000	UCX11-55MM UCX11-35 UCX11-36	FCX11	4.2
UCFCX12-60MM UCFCX12-39	60	2-7/16	194 7.64	53 2.09	14 0.55	165 6.496	11 0.43	16 0.63	20 0.787	70.7 2.783	139.7 5.500	UCX12-60MM UCX12-39	FCX12	5.3
UCFCX13-60MM UCFCX13-65MM UCFCX13-39 UCFCX13-40	60 65	2-7/16 2-1/2	194 7.64	53 2.09	14 0.55	165 6.496	11 0.43	16 0.63	20 0.787	75.4 2.969	139.7 5.500	UCX13-60MM UCX13-65MM UCX13-39 UCX13-40	FCX13	5.5
UCFCX14-70MM UCFCX14-43	70	2-11/16	222 8.74	56 2.20	14 0.55	190 7.480	14 0.55	19 0.74	20 0.787	78.5 3.087	161.9 6.374	UCX14-70MM UCX14-43	FCX14	7.2
UCFCX15-75MM UCFCX15-47 UCFCX15-48	75	2-15/16 3	222 8.74	57 2.24	16 0.63	190 7.480	12 0.47	19 0.75	22 0.866	83.3 3.280	161.9 6.374	UCX15-75MM UCX15-47 UCX15-48	FCX15	8.0
UCFCX16-80MM UCFCX16-50	80	3-1/8	260 10.24	61 2.40	19 0.75	219 8.622	10 0.39	23 0.91	25 0.984	86.6 3.41	187.3 7.374	UCX16-80MM UCX16-50	FCX16	11.3
UCFCX17-85MM UCFCX17-55 UCFCX17-56	85	3-7/16 3-1/2	260 10.24	61 2.40	19 0.75	219 8.622	10 0.39	23 0.91	25 0.98	91.3 3.590	187.3 7.37	UCX17-85MM UCX17-55 UCX17-56	FCX17	12.0
UCFCX18-90MM UCFCX18-56	90	3-1/2	260 10.24	71 2.80	19 0.74	219 8.622	12 0.47	23 0.91	28 1.102	101.1 3.982	187.3 7.374	UCX18-90MM UCX18-56	FCX18	12.1
UCFCX20-100MM UCFCX20-63 UCFCX20-64	100	3-15/16 4	276 10.87	94 3.70	22 0.86	238 9.370	22 0.86	23 0.91	28 1.102	119.1 4.68	206.4 8.126	UCX20-100MM UCX20-63 UCX20-64	FCX20	16.2

# Piloted 4-Bolt Flange

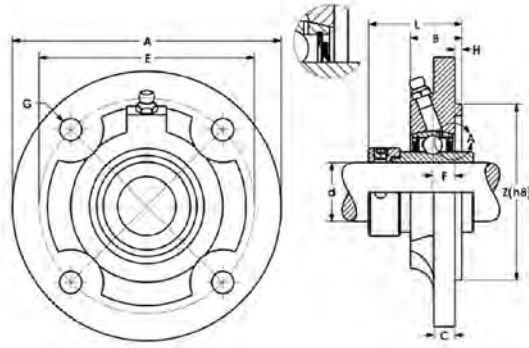


## FWSN 200 Euro Series

Normal Duty Bearing  
Cast Iron Housing  
Eccentric Lock  
Metric and Inch Bores



Models Available



Part No.	Shaft Size d		Dimensions (mm) (in)									Bearing No.	Housing No.	Wt. kg
	mm	in	A	B	C	E	F	G	H	L	Z(h8)			
FWSN204 x 20AMM FWSN204 x 3/4A	20 3/4		100 3.94	25.5 1.00	7.0 0.28	78 3.07	10.0 0.39	9.5 0.37	5 0.20	41.6 1.64	62 2.44	HC204 x 20MM HC204 x 3/4	FWSN204	0.9
FWSN205 x 25AMM FWSN205 x 7/8A FWSN205 x 15/16A FWSN205 x 1A	25 7/8 15/16 1		115 4.53	22.0 0.87	9.0 0.35	92 3.62	9.5 0.37	9.5 0.37	3 0.12	39.4 1.55	75 2.95	HC205 x 25MM HC205 x 7/8 HC205 x 15/16 HC205 x 1	FWSN205	1.0
FWSN206 x 30AMM FWSN206 x 1-1/8A FWSN206 x 1-3/16A FWSN206 x 1-1/4A	30 1-1/8 1-3/16 1-1/4		125 4.92	23.0 0.91	9.5 0.37	105 4.13	10.5 0.41	9.5 0.37	3 0.12	43.6 1.72	85 3.35	HC206 x 30MM HC206 x 1-1/8 HC206 x 1-3/16 HC206 x 1-1/4	FWSN206	1.2
FWSN207 x 35AMM FWSN207 x 1-1/4A FWSN207 x 1-3/8A FWSN207 x 1-7/16A	35 1-1/4 1-3/8 1-7/16		135 5.31	23.0 0.91	10.0 0.39	110 4.33	9.0 0.35	11.5 0.45	4 0.16	45.3 1.78	90 3.54	HC207 x 35MM HC207 x 1-1/4 HC207 x 1-3/8 HC207 x 1-7/16	FWSN207	1.5
FWSN208 x 40AMM FWSN208 x 1-1/2A	40 1-1/2		145 5.71	26.0 1.02	11.5 0.45	120 4.72	11.5 0.45	11.5 0.45	4 0.16	50.4 1.98	100 3.94	HC208 x 40MM HC208 x 1-1/2	FWSN208	1.9
FWSN209 x 45AMM FWSN209 x 1-5/8A FWSN209 x 1-11/16A FWSN209 x 1-3/4A	45 1-5/8 1-11/16 1-3/4		155 6.10	26.5 1.04	12.0 0.47	130 5.12	11.5 0.45	14.0 0.55	4 0.16	50.4 1.98	105 4.13	HC209 x 45MM HC209 x 1-5/8 HC209 x 1-11/16 HC209 x 1-3/4	FWSN209	2.5
FWSN210 x 50AMM FWSN210 x 1-7/8A FWSN210 x 1-15/16A FWSN210 x 2A	50 1-7/8 1-15/16 2		165 6.50	28.0 1.10	13.0 0.51	136 5.35	12.5 0.49	14.0 0.55	4 0.16	54.6 2.15	115 4.53	HC210 x 50MM HC210 x 1-7/8 HC210 x 1-15/16 HC210 x 2	FWSN210	2.8
FWSN211 x 55AMM FWSN211 x 2A FWSN211 x 2-1/8A FWSN211 x 2-3/16A	55 2 2-1/8 2-3/16		185 7.28	43.0 1.69	15.0 0.59	150 5.91	13.0 0.51	18.0 0.71	12 0.47	68.6 2.7	125 4.92	HC211 x 55MM HC211 x 2 HC211 x 2-1/8 HC211 x 2-3/16	FWSN211	3.5
FWSN212 x 60AMM FWSN212 x 2-1/4A FWSN212 x 2-3/8A FWSN212 x 2-7/16A	60 2-1/4 2-3/8 2-7/16		195 7.68	33.0 1.30	16.0 0.63	165 6.50	17.0 0.67	18.0 0.71	4 0.16	67.8 2.67	140 5.51	HC212 x 60MM HC212 x 2-1/4 HC212 x 2-3/8 HC212 x 2-7/16	FWSN212	4.4
FWSN213 x 65AMM FWSN213 x 2-1/2A	65 2-1/2		205 8.07	50.0 1.97	15.0 0.59	170 6.69	16.0 0.63	19.0 0.75	14 0.55	81.6 3.21	145 5.71	HC213 x 65MM HC213 x 2-1/2	FWSN213	6.0
FWSN214 x 70AMM FWSN214 x 2-11/16A FWSN214 x 2-3/4A	70 2-11/16 2-3/4		215 8.46	54.0 2.13	18.0 0.71	177 6.97	17.0 0.67	19.0 0.75	14 0.55	82.6 3.25	150 5.91	HC214 x 70MM HC214 x 2-11/16 HC214 x 2-3/4	FWSN214	7.1
FWSN215 x 75AMM FWSN215 x 2-15/16A FWSN215 x 3A	75 2-15/16 3		220 8.66	56.0 2.20	18.0 0.71	184 7.24	18.0 0.71	19.0 0.75	16 0.63	88.8 3.50	160 6.30	HC215 x 75MM HC215 x 2-15/16 HC215 x 3	FWSN215	7.7
FWSN216 x 80AMM FWSN216 x 3-1/8A	80 3-1/8		240 9.45	58.0 2.28	18.0 0.71	200 7.87	18.0 0.71	23.0 0.91	16 0.63	81.6 3.21	170 6.69	HC216 x 80MM HC216 x 3-1/8	FWSN216	9.0

Note: Set Screw and Adapter Lock Bearings also available from stock. SA insert available for flush mounting.

# Piloted 4-Bolt Flange



**FWSN 200 PTI Series**

**Normal Duty Bearing**

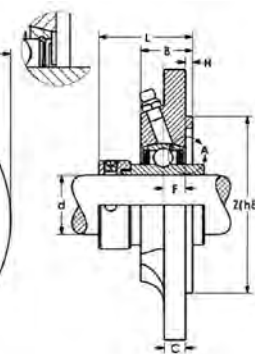
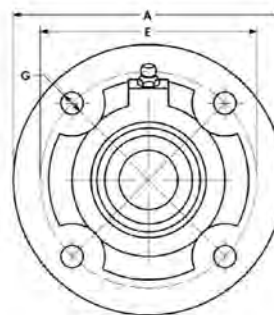
**Cast Iron Housing**

**Eccentric Lock**

**Metric and Inch Bores**



Models Available



Part No.	Shaft Size d		Dimensions (mm) (in)										Bearing No.	Housing No.	Wt. kg
	mm	in	A	B	C	E	F	G	H	L	Z(h8)				
FWSN204-20AMM	20		100	25.5	7.0	78	10.0	9.5	5	41.6	62	HC204-20MM	FWSN204	0.9	
FWSN204-12A		3/4	3.94	1.00	0.28	3.07	0.39	0.37	0.20	1.64	2.44	HC204-12			
FWSN205-25AMM	25		115	22.0	9.0	92	9.5	9.5	3	39.4	75	HC205-25MM	FWSN205	1.0	
FWSN205-14A		7/8	4.53	0.87	0.35	3.62	0.37	0.37	0.12	1.55	2.95	HC205-14			
FWSN205-15/A		15/16										HC205-15			
FWSN205-16A		1										HC205-16			
FWSN206-30AMM	30		125	22.5	9.5	105	10.5	9.5	3	43.6	85	HC206-30MM	FWSN206	1.2	
FWSN206-18A		1-1/8	4.92	0.89	0.37	4.13	0.41	0.37	0.12	1.72	3.35	HC206-18			
FWSN206-19A		1-3/16										HC206-19			
FWSN206-20A		1-1/4										HC206-20			
FWSN207-35AMM	35		135	22.5	10.0	110	9.0	11.5	4	45.3	90	HC207-35MM	FWSN207	1.5	
FWSN207-20A		1-1/4	5.31	0.89	0.39	4.33	0.35	0.45	0.16	1.78	3.54	HC207-20			
FWSN207-22A		1-3/8										HC207-22			
FWSN207-23A		1-7/16										HC207-23			
FWSN208-40AMM	40		145	26.0	11.5	120	11.5	11.5	4	50.4	100	HC208-40MM	FWSN208	1.9	
FWSN208-24A		1-1/2	5.71	1.02	0.45	4.72	0.45	0.45	0.16	1.98	3.94	HC208-24			
FWSN209-45AMM	45		155	26.5	12.0	130	11.5	14.0	4	50.4	105	HC209-45MM	FWSN209	2.5	
FWSN209-26A		1-5/8	6.10	1.04	0.47	5.12	0.45	0.55	0.16	1.98	4.13	HC209-26			
FWSN209-27A		1-11/16										HC209-27			
FWSN209-28A		1-3/4										HC209-28			
FWSN210-50AMM	50		165	28.0	13.0	136	12.5	14.0	4	54.6	115	HC210-50MM	FWSN210	2.8	
FWSN210-30A		1-7/8	6.50	1.10	0.51	5.35	0.49	0.55	0.16	2.15	4.53	HC210-30			
FWSN210-31A		1-15/16										HC210-31			
FWSN210-32A		2										HC210-32			
FWSN211-55AMM	55		185	43.0	15.0	150	13.0	18.0	12	68.6	125	HC211-55MM	FWSN211	3.5	
FWSN211-32A		2	7.28	1.69	0.59	5.91	0.51	0.71	0.47	2.7	4.92	HC211-32			
FWSN211-34A		2-1/8										HC211-34			
FWSN211-35A		2-3/16										HC211-35			
FWSN212-60AMM	60		195	33.0	16.0	165	17.0	18.0	4	67.8	140	HC212-60MM	FWSN212	4.4	
FWSN212-36A		2-1/4	7.68	1.30	0.63	6.50	0.67	0.71	0.16	2.67	5.51	HC212-36			
FWSN212-38A		2-3/8										HC212-38			
FWSN212-39A		2-7/16										HC212-39			
FWSN213-65AMM	65		205	50.0	15.0	170	16.0	19.0	14	81.6	145	HC213-65MM	FWSN213	6.0	
FWSN213-40A		2-1/2	8.07	1.97	0.59	6.69	0.63	0.75	0.55	3.21	5.71	HC213-40			
FWSN214-70AMM	70		215	54.0	18.0	177	17.0	19.0	14	82.6	150	HC214-70MM	FWSN214	7.1	
FWSN214-43A		2-11/16	8.46	2.13	0.71	6.97	0.67	0.75	0.55	3.25	5.91	HC214-43			
FWSN214-44A		2-3/4										HC214-44			
FWSN215-75AMM	75		220	56.0	18.0	184	18.0	19.0	16	88.8	160	HC215-75MM	FWSN215	7.7	
FWSN215-47A		2-15/16	8.66	2.20	0.71	7.24	0.71	0.75	0.63	3.50	6.30	HC215-47			
FWSN215-48A		3										HC215-48			
FWSN216-80AMM	80		240	58.0	18.0	200	18.0	23.0	16	81.6	170	HC216-80MM	FWSN216	9.0	
FWSN216-50A		3-1/8	9.45	2.28	0.71	7.87	0.71	0.91	0.63	3.21	6.69	HC216-50			

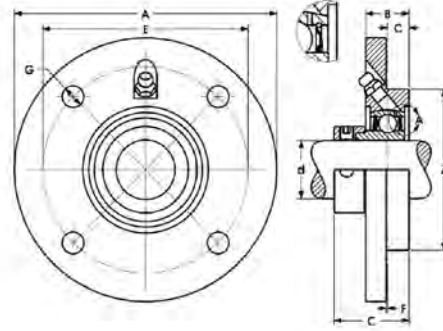
Note: Set Screw and Adapter Lock Bearings also available from stock. SA insert available for flush mounting.

# Piloted 4-Bolt Flange



## RVFW 200 Euro Series

Normal Duty Bearing  
Cast Iron Housing  
Eccentric Lock  
Metric and Inch Bores



Models Available

Part No.	Shaft Size d		Dimensions (mm) (in)								Bearing No.	Housing No.	Wt. kg
	mm	in	A	B	C	E	F	G	L	Z(h8)			
RVFW204 x 20MM RVFW204 x 3/4	20	3/4	100 3.94	18.5 0.73	9.0 0.35	78 3.07	0.08 0.003	9.5 0.37	32.4 1.28	62 2.440	SA204 x 20MM SA204 x 3/4	RVFW204	0.6
RVFW205 x 25MM RVFW205 x 7/8 RVFW205 x 15/16 RVFW205 x 1	25	7/8 15/16 1	115 4.53	19 0.75	10 0.39	90 3.543	0.58 0.02	9.5 0.37	32.9 1.30	70 2.755	SA205 x 25MM SA205 x 7/8 SA205 x 15/16 SA205 x 1	RVFW205	0.8
RVFW206 x 30MM RVFW206 x 1-1/8 RVFW206 x 1-3/16 RVFW206 x 1-1/4	30	1-1/8 1-3/16 1-1/4	125 4.92	20.5 0.81	11 0.43	100 3.937	0.82 0.03	11.5 0.45	36.9 1.45	80 3.149	SA206 x 30MM SA206 x 1-1/8 SA206 x 1-3/16 SA206 x 1-1/4	RVFW206	1.0
RVFW207 x 35MM RVFW207 x 1-1/4 RVFW207 x 1-3/8 RVFW207 x 1-7/16	35	1-1/4 1-3/8 1-7/16	135 5.31	20.5 0.81	10.5 0.41	110 4.33	1.12 0.04	11.5 0.45	38.8 1.53	90 3.543	SA207 x 35MM SA207 x 1-1/4 SA207 x 1-3/8 SA207 x 1-7/16	RVFW207	1.3
RVFW208 x 40MM RVFW208 x 1-1/2	40	1-1/2	145 5.71	23 0.91	11.5 0.45	120 4.724	0.64 0.03	11.5 0.45	43.6 1.72	100 3.937	SA208 x 40MM SA208 x 1-1/2	RVFW208	1.6
RVFW209 x 45MM RVFW209 x 1-5/8 RVFW209 x 1-11/16 RVFW209 x 1-3/4	45	1-5/8 1-11/16 1-3/4	155 6.10	25 0.98	13 0.51	130 5.118	1.16 0.05	14 0.55	44.5 1.75	105 4.133	SA209 x 45MM SA209 x 1-5/8 SA209 x 1-11/16 SA209 x 1-3/4	RVFW209	1.9
RVFW210 x 50MM RVFW210 x 1-7/8 RVFW210 x 1-15/16 RVFW210 x 2	50	1-7/8 1-15/16 2	165 6.50	25 0.98	11 0.43	135 5.315	1.36 0.05	14 0.55	43.3 1.70	110 4.330	SA210 x 50MM SA210 x 1-7/8 SA210 x 1-15/16 SA210 x 2	RVFW210	2.4
RVFW212 x 60MM RVFW212 x 2-1/4 RVFW212 x 2-3/8 RVFW212 x 2-7/16	60	2-1/4 2-3/8 2-7/16	195 7.68	24 0.94	16 0.63	160 6.299	— —	18 0.71	55.6 2.19	135 5.315	SA212 x 60MM SA212 x 2-1/4 SA212 x 2-3/8 SA212 x 2-7/16	RVFW212	3.8
RVFW213 x 65MM RVFW213 x 2-1/2	65	2-1/2	215 8.46	32 1.26	14 0.55	177 6.97	— —	18 0.71	66.1 2.60	150 5.91	HC213 x 65MM HC213 x 2-1/2	RVFW213	5.8
RVFW214 x 70MM RVFW214 x 2-11/16A RVFW214 x 2-3/4	70	2-11/16 2-3/4	215 8.46	32 1.26	14 0.55	177 6.97	— —	18 0.71	66.1 2.60	150 5.91	HC214 x 70MM HC214 x 2-11/16 HC214 x 2-3/4	RVFW214	5.6
RVFW216 x 80MM RVFW216 x 3-1/8	80	3-1/8	220 8.66	31 1.22	13 0.51	184 7.24	2.0 0.08	18 0.71	71 2.80	160 6.30	HC216 x 80MM HC216 x 3-1/8	RVFW216	5.7
RVFW218 x 90MM	90	—	265	32	12	220	4.0	23	69.5	190	HC218 x 90MM	RVFW218	8.8
RVFW220 x 100MM	100	—	295	36	14	245	4.0	23	75	210	HC220 x 100MM	RVFW220	11.5
RVFW224 x 120MM	120	—	350	40	16	295	4.0	27	81	250	HC224 x 120MM	RVFW224	17.5

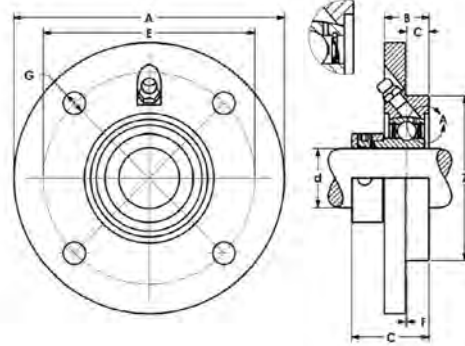
Note: Set Screw and Adapter Lock Bearings also available from stock.

# Piloted 4-Bolt Flange



## RVFW 200 PTI Series

Normal Duty Bearing  
Cast Iron Housing  
Eccentric Lock  
Metric and Inch Bores



Models Available

Part No.	Shaft Size d		Dimensions (mm) (in)								Bearing No.	Housing No.	Wt. kg
	mm	in	A	B	C	E	F	G	L	Z(h8)			
RVFW204-20MM RVFW204-12	20	3/4	100 3.94	18.3 0.72	9.0 0.35	78 3.07	0.08 0.003	9.5 0.37	32.4 1.28	62 2.440	SA204-20MM SA204-12	RVFW204	0.6
RVFW205-25MM RVFW205-14 RVFW205-15 RVFW205-16	25	7/8 15/16 1	115 4.53	10 0.39	10 0.39	90 3.543	0.58 0.02	9.5 0.37	32.8 1.29	70 2.755	SA205-25MM SA205-14 SA205-15 SA205-16	RVFW205	0.8
RVFW206-30MM RVFW206-18 RVFW206-19 RVFW206-20	30	1-1/8 1-3/16 1-1/4	125 4.92	11 0.43	11 0.43	100 3.937	0.82 0.03	11.5 0.45	36.9 1.45	80 3.149	SA206-30MM SA206-18 SA206-19 SA206-20	RVFW206	1.0
RVFW207-35MM RVFW207-20 RVFW207-22 RVFW207-23	35	1-1/4 1-3/8 1-7/16	135 5.31	20.5 0.81	10.5 0.41	110 4.33	1.12 0.04	11.5 0.45	38.8 1.53	90 3.543	SA207-35MM SA207-20 SA207-22 SA207-23	RVFW207	1.3
RVFW208-40MM RVFW208-24	40	1-1/2	145 5.71	23 0.91	11.5 0.45	120 4.724	0.64 0.03	11.5 0.45	42.5 1.67	100 3.937	SA208-40MM SA208-24	RVFW208	1.6
RVFW209-45MM RVFW209-26 RVFW209-27 RVFW209-28	45	1-5/8 1-11/16 1-3/4	155 6.10	25 0.98	13 0.51	130 5.118	1.16 0.05	14 0.55	44.5 1.75	105 4.133	SA209-45MM SA209-26 SA209-27 SA209-28	RVFW209	1.9
RVFW210-50MM RVFW210-30 RVFW210-31 RVFW210-32	50	1-7/8 1-15/16 2	165 6.50	25 0.98	11 0.43	135 5.315	1.36 0.05	14 0.55	43.3 1.70	110 4.330	SA210-50MM SA210-30 SA210-31 SA210-32	RVFW210	2.4
RVFW212-60MM RVFW212-36 RVFW212-38 RVFW212-39	60	2-1/4 2-3/8 2-7/16	195 7.68	16 0.63	16 0.63	160 6.299	— —	18 0.71	55.8 2.20	135 5.315	SA212-60MM SA212-36 SA212-38 SA212-39	RVFW212	3.8
RVFW213-65AMM RVFW213-40A	65	2-1/2	215 8.46	14 0.55	14 0.55	177 6.97	— —	18 0.71	66.1 2.60	150 5.91	HC213-65MM HC213-40	RVFW213	5.6
RVFW214-70AMM RVFW214-43A RVFW214-44A	70	2-11/16 2-3/4	215 8.46	14 0.55	14 0.55	177 6.97	— —	18 0.71	66.1 2.60	150 5.91	HC214-70MM HC214-43 HC214-44	RVFW214	5.6
RVFW216-80AMM RVFW216-50A	80	3-1/8	220 8.66	31 1.22	13 0.51	184 7.24	2.0 0.08	18 0.71	71 2.80	160 6.30	HC216-80MM HC216-50	RVFW216	5.7
RVFW218-90AMM	90	—	265	32	12	220	4.0	23	69.5	190	HC218-90MM	RVFW218	8.8
RVFW220-100AMM	100	—	295	36	14	245	4.0	23	75	210	HC220-100MM	RVFW220	11.5
RVFW224-120AMM	120	—	350	40	16	295	4.0	27	81	250	HC224-120MM	RVFW224	17.5

Note: Set Screw and Adapter Lock Bearings also available from stock.

# 3-Bolt Flanged Bracket



## FB 200 Euro Series

Normal Duty Bearing

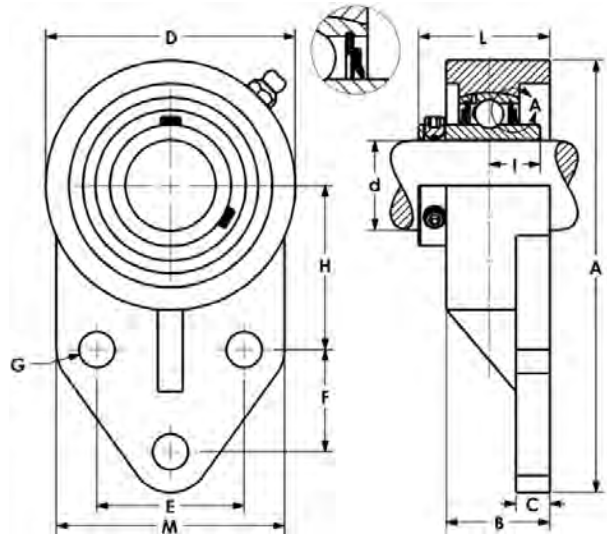
Cast Iron Housing

Set Screw Lock

Metric and Inch Bores



Models Available



Part No.	Shaft Size d		Dimensions (mm) (in)										Bearing No.	Housing No.	Wt. kg	
	mm	in	A	B	C	D	E	F	G	H	I	L				M
FB201 x 12UMM	12		108	25.5	8	64	38.1	22.2	10	43	16	34.3	60	UC201 x 12MM UC202 x 15MM UC203 x 17MM UC201 x 1/2 UC202 x 5/8 UC203 x 11/16	FB204	0.7
FB202 x 15UMM	15															
FB203 x 17UMM	17															
FB201 x 1/2U		1/2	4.25	1.0	0.31	2.52	1.500	0.875	0.40	1.688	0.63	1.35	2.36			
FB202 x 5/8U		5/8														
FB203 x 11/16U		11/16														
FB204 x 20UMM	20		108	25.5	8	64	38.1	22.2	10	43	16	34.3	60	UC204 x 20MM UC204 x 3/4	FB204	0.7
FB204 x 3/4U		3/4	4.25	1.0	0.31	2.52	1.500	0.875	0.40	1.688	0.63	1.35	2.36			
FB205 x 25UMM	25		121	29	9.5	70	41.3	28.6	10	46	17	36.8	64	UC205 x 25MM UC205 x 7/8 UC205 x 15/16 UC205 x 1	FB205	0.8
FB205 x 7/8U		7/8	4.76	1.14	0.37	2.76	1.625	1.125	0.40	1.812	0.67	1.45	2.52			
FB205 x 15/16U		15/16														
FB205 x 1U		1														
FB206 x 30UMM	30		137	32	9.5	83	47.6	31.8	10	52.4	19	41.2	70	UC206 x 30MM UC206 x 1-1/8 UC206 x 1-3/16 UC206 x 1-1/4	FB206	1.3
FB206 x 1-1/8U		1-1/8	5.39	1.26	0.37	3.27	1.875	1.250	0.40	2.063	0.75	1.62	2.76			
FB206 x 1-3/16U		1-3/16														
FB206 x 1-1/4U		1-1/4														
FB207 x 35UMM	35		156	37	13	95	50.8	31.8	10	60	21	46.4	83	UC207 x 35MM UC207 x 1-1/4 UC207 x 1-3/8 UC207 x 1-7/16	FB207	1.7
FB207 x 1-1/4U		1-1/4	6.14	1.46	0.51	3.74	2.000	1.250	0.40	2.375	0.83	1.83	3.27			
FB207 x 1-3/8U		1-3/8														
FB207 x 1-7/16U		1-7/16														
FB208 x 40UMM	40		164	34	16	100	50	41	12	60	21	51.2	78	UC208 x 40MM UC208 x 1-1/2	FB208	2.0
FB208 x 1-1/2U		1-1/2	6.46	1.34	0.63	3.93	1.968	1.625	0.47	2.375	0.83	2.02	3.08			
FB209 x 45UMM	45		174	34	18	106	54	43	12	65	21	51.2	80	UC209 x 45MM UC209 x 1-5/8 UC209 x 1-11/16 UC209 x 1-3/4	FB209	2.3
FB209 x 1-5/8U		1-5/8	6.85	1.34	0.71	4.17	2.125	1.688	0.47	2.563	0.83	2.02	3.15			
FB209 x 1-11/16U		1-11/16														
FB209 x 1-3/4U		1-3/4														
FB210 x 50UMM	50		191	38	13	118	70	41.3	12	74.6	21	53.6	102	UC210 x 50MM UC210 x 1-7/8 UC210 x 1-15/16 UC210 x 2	FB210	2.9
FB210 x 1-7/8U		1-7/8	7.52	1.50	0.51	4.65	2.750	1.625	0.47	2.938	0.83	2.11	4.02			
FB210 x 1-15/16U		1-15/16														
FB210 x 2U		2														

Note: Eccentric Collar and Adapter Lock Bearings also available from stock.



# 3-Bolt Flanged Bracket

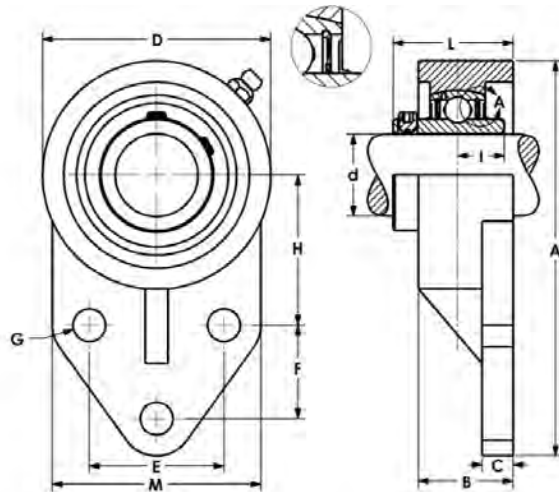


## FB 200 PTI Series

- Normal Duty Bearing
- Cast Iron Housing
- Set Screw Lock
- Metric and Inch Bores



Models Available



Part No.	Shaft Size d		Dimensions (mm) (in)											Bearing No.	Housing No.	Wt. kg
	mm	in	A	B	C	D	E	F	G	H	I	L	M			
FB201-12UMM	12		108	25.5	8	64	38.1	22.2	10	43	16	34.3	60	UC201-12MM UC202-15MM UC203-17MM	FB204	0.7
FB202-15UMM	15															
FB203-17UMM	17															
FB201-8U	1/2		4.25	1.0	0.31	2.52	1.500	0.875	0.40	1.688	0.63	1.35	2.36			
FB202-10U	5/8													UC202-10		
FB203-11U	11/16													UC203-11		
FB204-20UMM	20		108	25.5	8	64	38.1	22.2	10	43	16	34.3	60	UC204-20MM	FB204	0.7
FB204-12U	3/4		4.25	1.0	0.31	2.52	1.500	0.875	0.40	1.688	0.63	1.35	2.36	UC204-12		
FB205-25UMM	25		121	29	9.5	70	41.3	28.6	10	46	17	36.8	64	UC205-25MM	FB205	0.8
FB205-14U	7/8		4.76	1.16	0.37	2.76	1.625	1.125	0.40	1.812	0.67	1.45	2.52	UC205-14		
FB205-15U	15/16													UC205-15		
FB205-16U	1													UC205-16		
FB206-30UMM	30		137	32	9.5	83	47.6	31.8	10	52.4	19	41.2	70	UC206-30MM	FB206	1.3
FB206-18U	1-1/8		5.39	1.26	0.37	3.27	1.875	1.250	0.40	2.063	0.75	1.62	2.76	UC206-18		
FB206-19U	1-3/16													UC206-19		
FB206-20U	1-1/4													UC206-20		
FB207-35UMM	35		156	37	13	95	50.8	31.8	10	60	21	46.4	83	UC207-35MM	FB207	1.7
FB207-20U	1-1/4		6.14	1.46	0.51	3.74	2.000	1.250	0.40	2.375	0.83	1.83	3.27	UC207-20		
FB207-22U	1-3/8													UC207-22		
FB207-23U	1-7/16													UC207-23		
FB208-40UMM	40		164	34	16	100	50	41	12	60	21	51.2	78	UC208-40MM	FB208	2.0
FB208-24U	1-1/2		6.46	1.34	0.63	3.93	1.968	1.625	0.47	2.375	0.83	2.02	3.08	UC208-24		
FB209-45UMM	45		174	34	18	106	54	43	12	65	21	51.2	80	UC209-45MM	FB209	2.3
FB209-26U	1-5/8		6.85	1.34	0.71	4.17	2.125	1.688	0.47	2.563	0.83	2.02	3.15	UC209-26		
FB209-27U	1-11/16													UC209-27		
FB209-28U	1-3/4													UC209-28		
FB210-50UMM	50		191	38	13	118	70	41.3	12	74.6	21	53.6	102	UC210-50MM	FB210	2.9
FB210-30U	1-7/8		7.52	1.50	0.51	4.65	2.750	1.625	0.47	2.938	0.83	2.11	4.02	UC210-30		
FB210-31U	1-15/16													UC210-31		
FB210-32U	2													UC210-32		

Note: Eccentric Collar and Adapter Lock Bearings also available from stock.

# 3-Bolt Flanged FK Bracket



## FK 200 Euro Series

Normal Duty Bearing

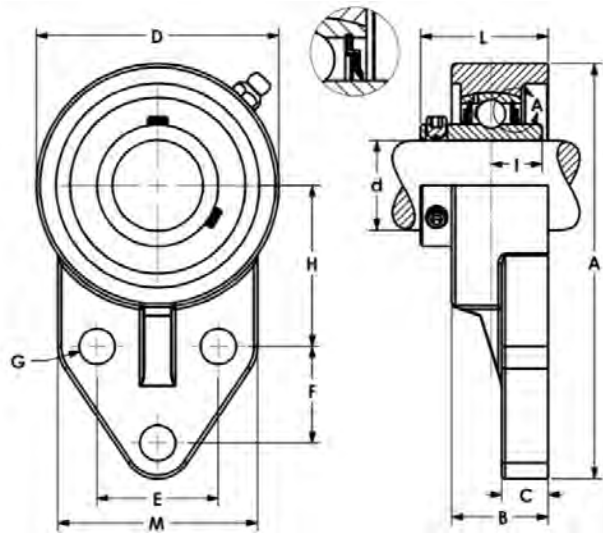
Cast Iron Housing

Set Screw Lock

Metric and Inch Bores



Models Available



Part No.	Shaft Size d		Dimensions (mm) (in)											Bearing No.	Housing No.	Wt. kg
	mm	in	A	B	C	D	E	F	G	H	I	L	M			
FK201 x 12UMM	12		110	25.5	13	59	32	27	10	42	15	33.3	52	UC201 x 12MM UC202 x 15MM UC203 x 17MM UC201 x 1/2 UC202 x 5/8 UC203 x 11/16	FK204	0.7
FK202 x 15UMM	15															
FK203 x 17UMM	17															
FK201 x 1/2U		1/2	4.33	1.0	0.51	2.32	1.26	1.06	0.40	1.654	0.59	1.31	2.05			
FK202 x 5/8U		5/8														
FK203 x 11/16U		11/16														
FK204 x 20UMM	20		110	25.5	13	59	32	27	10	42	15	33.3	52	UC204 x 20MM UC204 x 3/4	FK204	0.7
FK204 x 3/4U		3/4	4.33	1.0	0.51	2.32	1.26	1.06	0.40	1.654	0.59	1.31	2.05			
FK205 x 25UMM	25		116	27	13	68	34	27	10	45	16	35.8	56	UC205 x 25MM UC205 x 7/8 UC205 x 15/16 UC205 x 1	FK205	0.8
FK205 x 7/8U		7/8	4.57	1.06	0.51	2.68	1.34	1.06	0.40	1.77	0.63	1.41	2.20			
FK205 x 15/16U		15/16														
FK205 x 1U		1														
FK206 x 30UMM	30		130	31	13	78	40	29	10	50	18	40.2	65	UC206 x 30MM UC206 x 1-1/8 UC206 x 1-3/16 UC206 x 1-1/4	FK206	1.3
FK206 x 1-1/8U		1-1/8	5.12	1.22	0.51	3.07	1.57	1.14	0.40	1.97	0.71	1.58	2.56			
FK206 x 1-3/16U		1-3/16														
FK206 x 1-1/4U		1-1/4														
FK207 x 35UMM	35		144	34	15	16	46	32	10	55	19	44.4	70	UC207 x 35MM UC207 x 1-1/4 UC207 x 1-3/8 UC207 x 1-7/16	FK207	1.7
FK207 x 1-1/4U		1-1/4	5.67	1.34	0.59	0.63	1.81	1.26	0.40	2.16	0.75	1.75	2.76			
FK207 x 1-3/8U		1-3/8														
FK207 x 1-7/16U		1-7/16														
FK208 x 40UMM	40		164	36	16	100	50	41	12	60	21	51.2	78	UC208 x 40MM UC208 x 1-1/2	FK208	2.0
FK208 x 1-1/2U		1-1/2	6.46	1.41	0.63	3.93	1.968	1.625	0.47	2.375	0.83	2.02	3.08			
FK209 x 45UMM	45		174	38	18	106	54	43	12	65	21	51.2	80	UC209 x 45MM UC209 x 1-5/8 UC209 x 1-11/16 UC209 x 1-3/4	FK209	2.3
FK209 x 1-5/8U		1-5/8	6.85	1.49	0.71	4.17	2.125	1.688	0.47	2.563	0.83	2.02	3.15			
FK209 x 1-11/16U		1-11/16														
FK209 x 1-3/4U		1-3/4														
FK210 x 50UMM	50		184	40	18	112	58	46	12	68	22	54.6	86	UC210 x 50MM UC210 x 1-7/8 UC210 x 1-15/16 UC210 x 2	FK210	2.9
FK210 x 1-7/8U		1-7/8	7.24	1.57	0.71	4.41	2.28	1.81	0.47	2.68	0.87	2.15	3.39			
FK210 x 1-15/16U		1-15/16														
FK210 x 2U		2														

Note: Eccentric Collar and Adapter Lock Bearings also available from stock.

# 3-Bolt Flanged FK Bracket

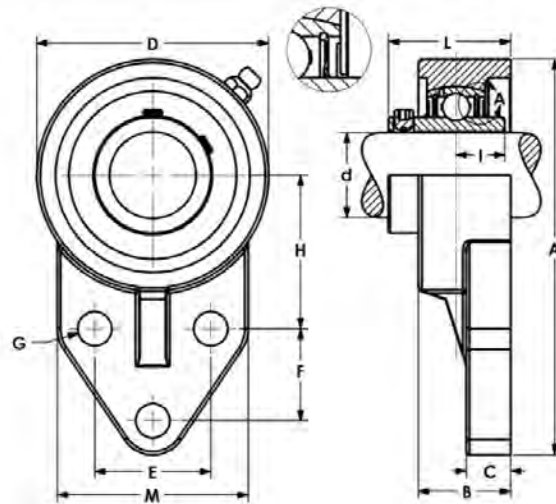


## FK 200 PTI Series

- Normal Duty Bearing
- Cast Iron Housing
- Set Screw Lock
- Metric and Inch Bores



Models Available



Part No.	Shaft Size d		Dimensions (mm) (in)											Bearing No.	Housing No.	Wt. kg
	mm	in	A	B	C	D	E	F	G	H	I	L	M			
FK201-12UMM	12		110	25.5	13	59	32	27	10	42	15	33.3	52	UC201-12MM UC202-15MM UC203-17MM UC201-8 UC202-10 UC203-11	FK204	0.7
FK202-15UMM	15															
FK203-17UMM	17															
FK201-8U		1/2	4.33	1.0	0.51	2.32	1.26	1.06	0.40	1.654	0.59	1.31	2.05			
FK202-10U		5/8														
FK203-11U		11/16														
FK204-20UMM	20		110	25.5	13	59	32	27	10	42	15	33.3	52	UC204-20MM UC204-12	FK204	0.7
FK204-12U		3/4	4.33	1.0	0.51	2.32	1.26	1.06	0.40	1.654	0.59	1.31	2.05			
FK205-25UMM	25		116	27	13	68	34	27	10	45	16	35.8	56	UC205-25MM UC205-14 UC205-15 UC205-16	FK205	0.8
FK205-14U		7/8	4.57	1.06	0.51	2.68	1.34	1.06	0.40	1.77	0.63	1.41	2.20			
FK205-15U		15/16														
FK205-16U		1														
FK206-30UMM	30		130	31	13	78	40	29	10	50	18	40.2	65	UC206-30MM UC206-18 UC206-19 UC206-20	FK206	1.3
FK206-18U		1-1/8	5.12	1.22	0.51	3.07	1.57	1.14	0.40	1.97	0.71	1.58	2.56			
FK206-19U		1-3/16														
FK206-20U		1-1/4														
FK207-35UMM	35		144	34	15	16	46	32	10	55	19	44.4	70	UC207-35MM UC207-20 UC207-22 UC207-23	FK207	1.7
FK207-20U		1-1/4	5.67	1.34	0.59	0.63	1.81	1.26	0.40	2.16	0.75	1.75	2.76			
FK207-22U		1-3/8														
FK207-23U		1-7/16														
FK208-40UMM	40		164	36	16	100	50	41	12	60	21	51.2	78	UC208-40MM UC208-24	FK208	2.0
FK208-24U		1-1/2	6.46	1.41	0.63	3.93	1.968	1.625	0.47	2.375	0.83	2.02	3.08			
FK209-45UMM	45		174	38	18	106	54	43	12	65	21	51.2	80	UC209-45MM UC209-26 UC209-27 UC209-28	FK209	2.3
FK209-26U		1-5/8	6.85	1.49	0.71	4.17	2.125	1.688	0.47	2.563	0.83	2.02	3.15			
FK209-27U		1-11/16														
FK209-28U		1-3/4														
FK210-50UMM	50		184	40	18	112	58	46	12	68	22	54.6	86	UC210-50MM UC210-30 UC210-31 UC210-32	FK210	2.9
FK210-30U		1-7/8	7.24	1.57	0.71	4.41	2.28	1.81	0.47	2.68	0.87	2.15	3.39			
FK210-31U		1-15/16														
FK210-32U		2														

Note: Eccentric Collar and Adapter Lock Bearings also available from stock.

# 3-Bolt Flanged Bracket

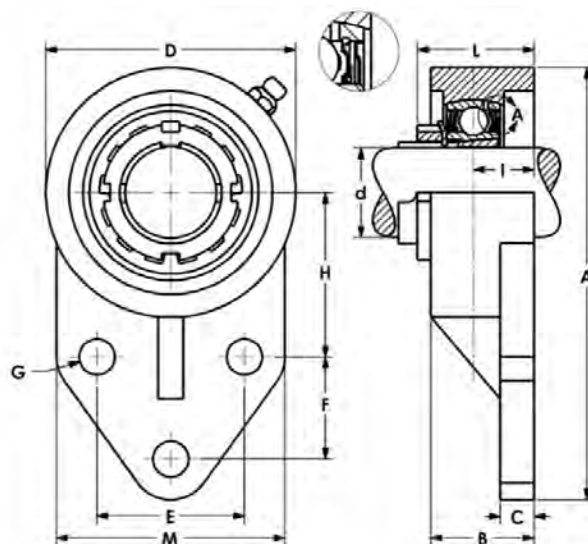


## GSHFB 200 PTI Series

Thin Adapter Lock  
Normal Duty Bearing  
Cast Iron Housing  
Metric and Inch Bores



Models Available



Part No.	Shaft Size d		Dimensions (mm) (in)											Bearing No.	Adapter No.	Housing No.	Wt. kg
	mm	in	A	B	C	D	E	F	G	H	I	L	M				
GSHFB204-20MM	20		108	25.5	8	64	38.1	22.2	10	43	16	34.9	60	GSH204	H204GSH-20MM H204GSH-12	FB204	0.7
GSHFB204-12		3/4	4.25	1.0	0.31	2.52	1.500	0.875	0.40	1.688	0.63	1.37	2.36				
GSHFB205-25MM	25		121	29	9.5	70	41.3	28.6	10	46	17	34.0	64	GSH205	H205GSH-25MM H205GSH-15 H205GSH-16	FB205	0.8
GSHFB205-15		15/16	4.76	1.14	0.37	2.76	1.625	1.125	0.40	1.812	0.67	1.34	2.52				
GSHFB205-16		1															
GSHFB206-30MM	30		137	32	9.5	83	47.6	31.8	10	52.4	19	41.7	70	GSH206	H206GSH-30MM H206GSH-19	FB206	1.3
GSHFB206-19		1-3/16	5.39	1.26	0.37	3.27	1.875	1.250	0.40	2.063	0.75	1.64	2.76				
GSHFB207-35MM	35		156	37	13	95	50.8	31.8	10	60	21	45.6	83	GSH207	H207GSH-35MM H207GSH-20 H207GSH-22	FB207	1.7
GSHFB207-20		1-1/4	6.14	1.46	0.51	3.74	2.000	1.250	0.40	2.375	0.83	1.80	3.27				
GSHFB207-22		1-3/8															
GSHFB208-40MM	40		164	34	16	100	50	41	12	60	21	48.9	78	GSH208	H208GSH-40MM H208GSH-24	FB208	2.0
GSHFB208-24		1-1/2	6.46	1.34	0.63	3.93	1.968	1.625	0.47	2.375	0.83	1.93	3.08				
GSHFB209-45MM	45		174	34	18	106	54	43	12	65	21	48.6	80	GSH209	H209GSH-45MM H209GSH-28	FB209	2.4
GSHFB209-28		1-3/4	6.85	1.34	0.71	4.17	2.125	1.688	0.47	2.563	0.83	1.91	3.15				
GSHFB210-50MM	50		191	38	13	118	70	41.3	12	74.6	21	47.4	102	GSH210	H210GSH-50MM H210GSH-31 H210GSH-32	FB210	3.0
GSHFB210-31		1-15/16	7.52	1.50	0.51	4.65	2.750	1.625	0.47	2.938	0.83	1.87	4.02				
GSHFB210-32		2															

# 3-Bolt Flanged Bracket

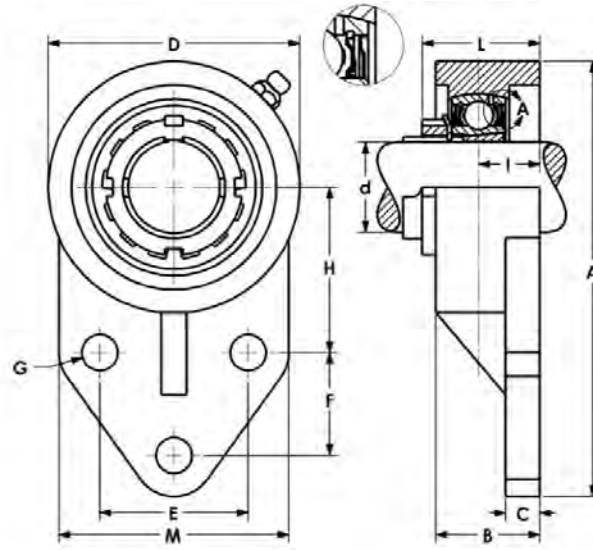


## CLFB 200 PTI Series

- Normal Duty Bearing
- Cast Iron Housing
- Concentric Locking Collar
- Metric and Inch Bores



Models Available



The locking collar provides for a concentric fit to the shaft

Part No.	Shaft Size d		Dimensions (mm) (in)											Bearing No.	Housing No.	Wt. kg
	mm	in	A	B	C	D	E	F	G	H	I	L	M			
CLFB204-20MM	20		108	25.5	8	64	38.1	22.2	10	43	16	35.8	60	CL204-20MM	FB204	0.7
CLFB204-12		3/4	4.25	1.0	0.31	2.52	1.500	0.875	0.40	1.688	0.63	1.41	2.36	CL204-12		
CLFB205-25MM	25		121	29	9.5	70	41.3	28.6	10	46	17	39.2	64	CL205-25MM	FB205	0.8
CLFB205-14		7/8	4.76	1.14	0.37	2.76	1.625	1.125	0.40	1.812	0.67	1.54	2.52	CL205-14		
CLFB205-15		15/16												CL205-15		
CLFB205-16		1												CL205-16		
CLFB206-30MM	30		137	32	9.5	83	47.6	31.8	10	52.4	19	42.8	70	CL206-30 MM	FB206	1.3
CLFB206-18		1-1/8	5.39	1.26	0.37	3.27	1.875	1.250	0.40	2.063	0.75	1.69	2.76	CL206-18		
CLFB206-19		1-3/16												CL206-19		
CLFB206-20		1-1/4												CL206-20		
CLFB207-35MM	35		156	37	13	95	50.8	31.8	10	60	21	48.0	83	CL207-35MM	FB207	1.7
CLFB207-20		1-1/4	6.14	1.46	0.51	3.74	2.000	1.250	0.40	2.375	0.83	1.89	3.27	CL207-20		
CLFB207-22		1-3/8												CL207-22		
CLFB207-23		1-7/16												CL207-23		
CLFB208-40MM	40		164	34	16	100	50	41	12	60	21	52.8	78	CL208-40MM	FB208	2.0
CLFB208-24		1-1/2	6.46	1.34	0.63	3.93	1.968	1.625	0.47	2.375	0.83	2.08	3.08	CL208-24		
CLFB209-45MM	45		174	34	18	106	54	43	12	65	21	52.8	80	CL209-45MM	FB209	2.3
CLFB209-26		1-5/8	6.85	1.34	0.71	4.17	2.125	1.688	0.47	2.563	0.83	2.08	3.15	CL209-26		
CLFB209-27		1-11/16												CL209-27		
CLFB209-28		1-3/4												CL209-28		
CLFB210-50MM	50		191	38	13	118	70	41.3	12	74.6	21	55.1	102	CL210-50MM	FB210	2.9
CLFB210-30		1-7/8	7.52	1.50	0.51	4.65	2.750	1.625	0.47	2.938	0.83	2.17	4.02	CL210-30		
CLFB210-31		1-15/16												CL210-31		
CLFB210-32		2												CL210-32		

Note: Other sizes available on request.

# Ductile 3-Bolt Flange

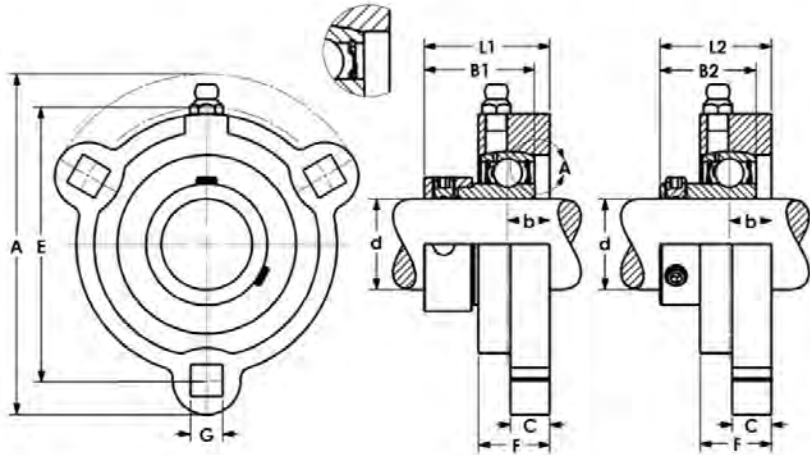


## F3X 200 Euro Series

Normal Duty Bearing, Compact, Narrow Profile  
 Ductile Iron Housing, Square Holes  
 Set Screw and Eccentric Lock  
 Metric and Inch Bores



Models Available

Eccentric Lock  
SA BearingSet Screw Lock  
SB Bearing

Part No.		Shaft Size d		Dimensions (mm) (in)										Bearing No.		Housing No.	Wt. kg
Eccentric	Set Screw	mm	in	A	B <sub>1</sub>	B <sub>2</sub>	b	C	E	F	G	L <sub>1</sub>	L <sub>2</sub>	Eccentric	Set Screw		
F3X201 x 12MM	F3X201 x 12SMM	12		81	28.6	22	9.7	10.3	63.5	17	7.1	31.8	25.7	SA201 x 12MM	SB201 x 12MM	F3X203	0.3
F3X202 x 15MM	F3X202 x 15SMM	15												SA202 x 15MM	SB202 x 15MM		
F3X203 x 17MM	F3X203 x 17SMM	17												SA203 x 17MM	SB203 x 17MM		
F3X201 x 1/2	F3X201 x 1/2S	1/2	3.19	1.13	0.87	0.38	0.41	2.5	0.67	.28	1.25	1.01	SA201 x 1/2	SB201 x 1/2			
F3X202 x 5/8	F3X202 x 5/8S	5/8												SA202 x 5/8	SB202 x 5/8		
F3X203 x 11/16	F3X203 x 11/16S	11/16												SA203 x 11/16	SB203 x 11/16		
F3X204 x 20MM	F3X204 x 20SMM	20		90.5	31	25	11.1	11	71.4	17	8.7	34.6	29.1	SA204 x 20MM	SB204 x 20MM	F3X204	0.4
F3X204 x 3/4	F3X204 x 3/4S	3/4	3.56	1.22	0.98	0.44	0.43	2.81	0.67	0.34	1.36	1.15	SA204 x 3/4	SB204 x 3/4			
F3X205 x 25MM	F3X205 x 25SMM	25		95.3	31	27	11.8	11	76.3	20	9	35.3	31.3	SA205 x 25MM	SB205 x 25MM	F3X205	0.5
F3X205 x 7/8	F3X205 x 7/8S	7/8	3.75	1.22	1.06	0.46	0.43	3.000	0.79	0.35	1.39	1.23	SA205 x 7/8	SB205 x 7/8			
F3X205 x 15/16	F3X205 x 15/16S	15/16												SA205 x 15/16	SB205 x 15/16		
F3X205 x 1	F3X205 x 1S	1												SA205 x 1	SB205 x 1		
F3X206 x 30MM	F3X206 x 30SMM	30		116	35.7	30	12.4	12	90.5	23	10.3	39.1	33.4	SA206 x 30MM	SB206 x 30MM	F3X206	0.7
F3X206 x 1-1/8	F3X206 x 1-1/8S	1-1/8	4.56	1.41	1.18	0.49	0.47	3.563	0.9	0.41	1.54	1.31	SA206 x 1-1/8	SB206 x 1-1/8			
F3X206 x 1-3/16	F3X206 x 1-3/16S	1-3/16												SA206 x 1-3/16	SB206 x 1-3/16		
F3X206 x 1-1/4	F3X206 x 1-1/4S	1-1/4												SA206 x 1-1/4	SB206 x 1-1/4		
F3X207 x 35MM	F3X207 x 35SMM	35		122	38.9	32	12.7	13	100	25	10.3	42.1	38.2	SA207 x 35MM	SB207 x 35MM	F3X207	0.9
F3X207 x 1-1/4	F3X207 x 1-1/4S	1-1/4	4.80	1.53	1.26	0.50	0.51	3.938	0.98	0.41	1.66	1.50	SA207 x 1-1/4	SB207 x 1-1/4			
F3X207 x 1-3/8	F3X207 x 1-3/8S	1-3/8												SA207 x 1-3/8	SB207 x 1-3/8		
F3X207 x 1-7/16	F3X207 x 1-7/16S	1-7/16												SA207 x 1-7/16	SB207 x 1-7/16		

Note: Adapter Lock Bearings also available from stock.

# Ductile 3-Bolt Flange



## F3X 200 PTI Series

Normal Duty Bearing, Compact, Narrow Profile

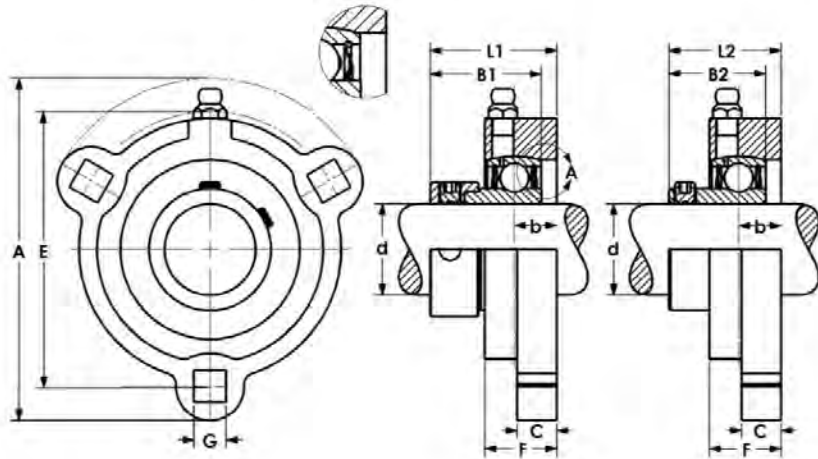
Ductile Iron Housing, Square Holes

Set Screw and Eccentric Lock

Metric and Inch Bores



Models Available



Eccentric Lock  
SA Bearing

Set Screw Lock  
SB Bearing

Part No.		Shaft Size d		Dimensions (mm) (in)										Bearing No.		Housing No.	Wt. kg
Eccentric	Set Screw	mm	in	A	B <sub>1</sub>	B <sub>2</sub>	b	C	E	F	G	L <sub>1</sub>	L <sub>2</sub>	Eccentric	Set Screw		
F3X201-12MM	F3X201-12SMM	12		81	28.6	22	9.7	10.3	63.5	17	7.1	32.3	25.7	SA201-12MM	SB201-12MM	F3X203	0.3
F3X202-15MM	F3X202-15SMM	15												SA202-15MM	SB202-15MM		
F3X203-17MM	F3X203-17SMM	17												SA203-17MM	SB203-17MM		
F3X201-8	F3X201-8S		1/2	3.19	1.13	0.87	0.38	0.41	2.5	0.67	.28	1.27	1.01	SA201-8	SB201-8		
F3X202-10	F3X202-10S		5/8											SA202-10	SB202-10		
F3X203-11	F3X203-11S		11/16											SA203-11	SB203-11		
F3X204-20MM	F3X204-20SMM	20		90.5	31	25	11.1	11	71.4	17	8.7	35.1	29.1	SA204-20MM	SB204-20MM	F3X204	0.4
F3X204-12	F3X204-12S		3/4	3.56	1.22	0.98	0.44	0.43	2.81	0.67	0.34	1.38	1.15	SA204-12	SB204-12		
F3X205-25MM	F3X205-25SMM	25		95.3	31	27	11.8	11	76.3	20	9	35.3	31.3	SA205-25MM	SB205-25MM	F3X205	0.5
F3X205-14	F3X205-14S		7/8	3.75	1.22	1.06	0.46	0.43	3.000	0.79	0.35	1.39	1.23	SA205-14	SB205-14		
F3X205-15	F3X205-15S		15/16											SA205-15	SB205-15		
F3X205-16	F3X205-16S		1											SA205-16	SB205-16		
F3X206-30MM	F3X206-30SMM	30		116	35.7	30	12.4	12	90.5	23	10.3	40.1	34.4	SA206-30MM	SB206-30MM	F3X206	0.7
F3X206-18	F3X206-18S		1-1/8	4.56	1.41	1.18	0.49	0.47	3.563	0.9	0.41	1.58	1.35	SA206-18	SB206-18		
F3X206-19	F3X206-19S		1-3/16											SA206-19	SB206-19		
F3X206-20	F3X206-20S		1-1/4											SA206-20	SB206-20		
F3X207-35MM	F3X207-35SMM	35		122	38.9	32	12.7	13	100	25	10.3	43.1	36.2	SA207-35MM	SB207-35MM	F3X207	0.9
F3X207-20	F3X207-20S		1-1/4	4.80	1.53	1.26	0.50	0.51	3.938	0.98	0.41	1.7	1.43	SA207-20	SB207-20		
F3X207-22	F3X207-22S		1-3/8											SA207-22	SB207-22		
F3X207-23	F3X207-23S		1-7/16											SA207-23	SB207-23		

Note: Adapter Lock Bearings also available from stock.

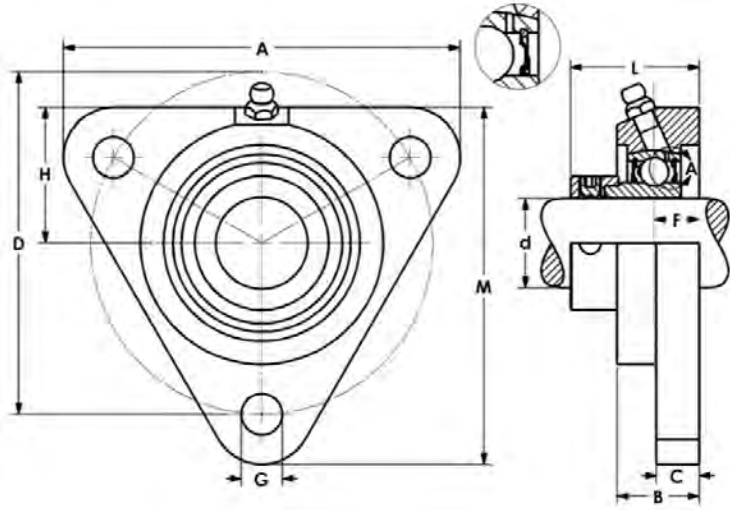
# 3-Bolt Flange



## DFW 200 Euro Series Normal Duty Bearing Cast Iron Housing Eccentric Collar Lock Metric and Inch Bores



Models Available



Part No.	Shaft Size d		Dimensions (mm) (in)									Bearing No.	Housing No.	Wt. kg
	mm	in	A	B	C	D	F	G	H	L	M			
DFW204 x 20MM DFW204 x 3/4	20 3/4		105 4.13	20 0.79	10 0.39	90 3.54	10.6 0.42	11.5 0.45	35 1.38	34.2 1.35	93 3.66	SA204 x 20MM SA204 x 3/4	DFW204	0.5
DFW205 x 25MM DFW205 x 7/8 DFW205 x 15/16 DFW205 x 1	25 7/8 15/16 1		110 4.33	23 0.91	12 0.47	96 3.78	12.6 0.5	11.5 0.45	38 1.5	36.2 1.43	100 3.94	SA205 x 25MM SA205 x 7/8 SA205 x 15/16 SA205 x 1	DFW205	0.6
DFW206 x 30MM DFW206 x 1-1/8 DFW206 x 1-3/16 DFW206 x 1-1/4	30 1-1/8 1-3/16 1-1/4		130 5.12	24 0.94	12 0.47	116 4.57	13.5 0.53	11.5 0.45	44 1.73	40.2 1.58	117 4.61	SA206 x 30MM SA206 x 1-1/8 SA206 x 1-3/16 SA206 x 1-1/4	DFW206	1.0
DFW207 x 35MM DFW207 x 1-1/4 DFW207 x 1-3/8 DFW207 x 1-7/16	35 1-1/4 1-3/8 1-7/16		145 5.71	27 1.06	12 0.47	130 5.12	15.7 0.62	14 0.55	48.5 1.91	45.0 1.77	130 5.12	SA207 x 35MM SA207 x 1-1/4 SA207 x 1-3/8 SA207 x 1-7/16	DFW207	1.3
DFW208 x 40MM DFW208 x 1-1/2	40 1-1/2		160 6.3	31 1.22	12 0.47	140 5.51	16.5 0.65	14 0.55	54 2.13	49.2 1.94	143 5.63	SA208 x 40MM SA208 x 1-1/2	DFW208	1.8
DFW209 x 45MM DFW209 x 1-5/8 DFW209 x 1-11/16 DFW209 x 1-3/4	45 1-5/8 1-11/16 1-3/4		180 7.09	33 1.3	15 0.59	160 6.3	19.6 0.77	14 0.55	60 2.36	52.3 2.06	160 6.3	SA209 x 45MM SA209 x 1-5/8 SA209 x 1-11/16 SA209 x 1-3/4	DFW209	2.3
DFW210 x 50MM DFW210 x 1-7/8 DFW210 x 1-15/16 DFW210 x 2	50 1-7/8 1-15/16 2		180 7.09	33 1.3	15 0.59	160 6.3	19.6 0.77	14 0.55	60 2.36	52.3 2.06	160 6.3	SA210 x 50MM SA210 x 1-7/8 SA210 x 1-15/16 SA210 x 2	DFW210	2.4

Note: Set Screw and Adapter Lock Bearings also available from stock.



# 3-Bolt Flange

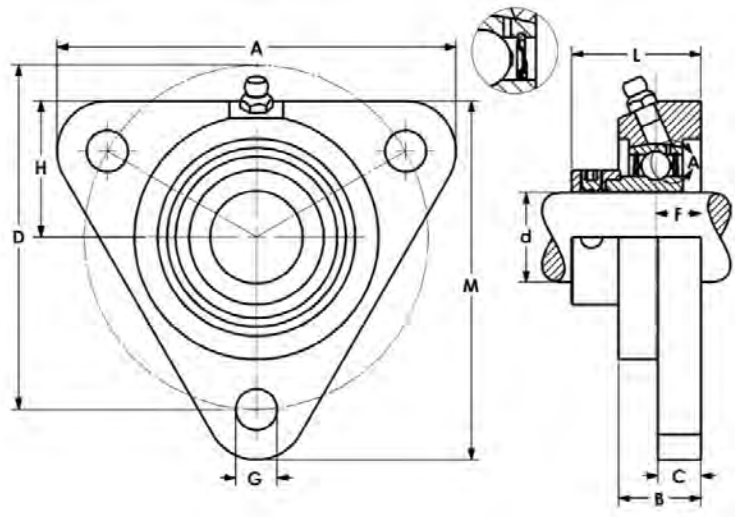


## DFW 200 PTI Series

Normal Duty Bearing  
Cast Iron Housing  
Eccentric Collar Lock  
Metric and Inch Bores



Models Available



Part No.	Shaft Size d		Dimensions (mm) (in)									Bearing No.	Housing No.	Wt. kg
	mm	in	A	B	C	D	F	G	H	L	M			
DFW204-20MM	20		105	20	10	90	10.6	11.5	35	34.6	93	SA204-20MM	DFW204	0.5
DFW204-12		3/4	4.13	0.79	0.39	3.54	0.42	0.45	1.38	1.36	3.66	SA204-12		
DFW205-25MM	25		110	23	12	96	12.6	11.5	38	36.1	100	SA205-25MM	DFW205	0.6
DFW205-14		7/8	4.33	0.91	0.47	3.78	0.5	0.45	1.5	1.42	3.94	SA205-14		
DFW205-15		15/16										SA205-15		
DFW205-16		1										SA205-16		
DFW206-30MM	30		130	24	12	116	13.5	11.5	44	41.2	117	SA206-30MM	DFW206	1.0
DFW206-18		1-1/8	5.12	0.94	0.47	4.57	0.53	0.45	1.73	1.62	4.61	SA206-18		
DFW206-19		1-3/16										SA206-19		
DFW206-20		1-1/4										SA206-20		
DFW207-35MM	35		145	27	12	130	15.7	14	48.5	46.1	130	SA207-35MM	DFW207	1.3
DFW207-20		1-1/4	5.71	1.06	0.47	5.12	0.62	0.55	1.91	1.81	5.12	SA207-20		
DFW207-22		1-3/8										SA207-22		
DFW207-23		1-7/16										SA207-23		
DFW208-40MM	40		160	31	12	140	16.5	14	54	51.2	143	SA208-40MM	DFW208	1.8
DFW208-24		1-1/2	6.3	1.22	0.47	5.51	0.65	0.55	2.13	2.02	5.63	SA208-24		
DFW209-45MM	45		180	33	15	160	19.6	14	60	53.8	160	SA209-45MM	DFW209	2.3
DFW209-26		1-5/8	7.09	1.3	0.59	6.3	0.77	0.55	2.36	2.12	6.3	SA209-26		
DFW209-27		1-11/16										SA209-27		
DFW209-28		1-3/4										SA209-28		
DFW210-50MM	50		180	33	15	160	19.6	14	60	53.3	160	SA210-50MM	DFW210	2.4
DFW210-30		1-7/8	7.09	1.3	0.59	6.3	0.77	0.55	2.36	2.10	6.3	SA210-30		
DFW210-31		1-15/16										SA210-31		
DFW210-32		2										SA210-32		

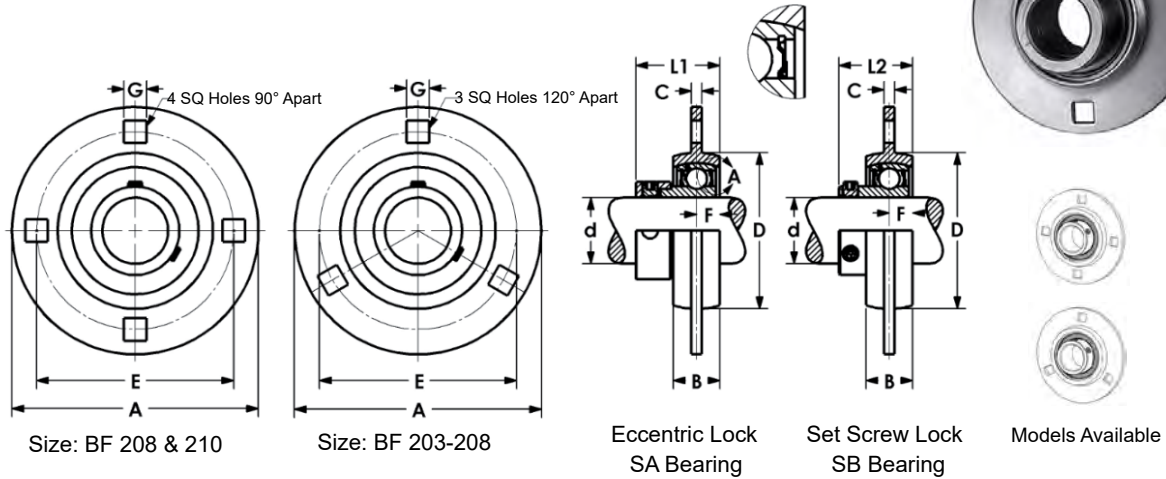
Note: Set Screw and Adapter Lock Bearings also available from stock.

# Pressed Steel Flange Units



## BF Euro Series - 3 & 4 Bolt Round

Normal Duty, 2 pc Steel Housing  
Eccentric and Set Screw Locking  
Metric and Inch Bores



Part No.		Shaft Size d		Dimensions (mm) (in)								Bearing Part No.		Housing No.	Wt. kg	
Eccentric	Set Screw	mm	in	A	B	C	D	E	F	G	L <sub>1</sub>	L <sub>2</sub>	Eccentric			Set Screw
BF201 x 12MM	BF201 x 12SMM	12		81	14	4	48	63.5	7	7.1	29.1	23	SA201 x 12MM	SB201 x 12MM	BF203 (PF3)	0.2
BF202 x 15MM	BF202 x 15SMM	15											SA202 x 15MM	SB202 x 15MM		
BF203 x 17MM	BF203 x 17SMM	17											SA203 x 17MM	SB203 x 17MM		
BF201 x 1/2	BF201 x 1/2S	1/2	3.19	0.55	0.16	1.89	2.500	0.28	0.28	1.15	0.91		SA201 x 1/2	SB201 x 1/2		
BF202 x 5/8	BF202 x 5/8S	5/8											SA202 x 5/8	SB202 x 5/8		
BF203 x 11/16	BF203 x 11/16S	11/16											SA203 x 11/16	SB203 x 11/16		
BF204 x 20MM	BF204 x 20SMM	20		90	17	4	55	71.5	8.5	8.7	31.2	26.5	SA204 x 20MM	SB204 x 20MM	BF204 (PF4)	0.3
BF204 x 3/4	BF204 x 3/4S	3/4	3.54	0.67	0.16	2.17	2.815	0.33	0.34	1.23	1.04		SA204 x 3/4	SB204 x 3/4		
BF205 x 25MM	BF205 x 25SMM	25		95	18	4	60	76	9	8.7	32.5	28.5	SA205 x 25MM	SB205 x 25MM	BF205 (PF5)	0.4
BF205 x 7/8	BF205 x 7/8S	7/8	3.74	0.71	0.16	2.36	2.99	0.35	0.34	1.28	1.12		SA205 x 7/8	SB205 x 7/8		
BF205 x 15/16	BF205 x 15/16S	15/16											SA205 x 15/16	SB205 x 15/16		
BF205 x 1	BF205 x 1S	1											SA205 x 1	SB205 x 1		
BF206 x 30MM	BF206 x 30SMM	30		113	19	5	71	90.5	9.5	10.5	36.2	30.5	SA206 x 30MM	SB206 x 30MM	BF206 (PF6)	0.5
BF206 x 1-1/8	BF206 x 1-1/8S	1-1/8	4.45	0.75	0.20	2.80	3.563	0.37	0.41	1.43	1.20		SA206 x 1-1/8	SB206 x 1-1/8		
BF206 x 1-3/16	BF206 x 1-3/16S	1-3/16											SA206 x 1-3/16	SB206 x 1-3/16		
BF206 x 1-1/4	BF206 x 1-1/4S	1-1/4											SA206 x 1-1/4	SB206 x 1-1/4		
BF207 x 35MM	BF207 x 35SMM	35		122	21	5	81	100	10.5	10.5	39.9	36.0	SA207 x 35MM	SB207 x 35MM	BF207 (PF7)	0.7
BF207 x 1-1/4	BF207 x 1-1/4S	1-1/4	4.80	0.83	0.20	3.19	3.937	0.41	0.41	1.57	1.42		SA207 x 1-1/4	SB207 x 1-1/4		
BF207 x 1-3/8	BF207 x 1-3/8S	1-3/8											SA207 x 1-3/8	SB207 x 1-3/8		
BF207 x 1-7/16	BF207 x 1-7/16S	1-7/16											SA207 x 1-7/16	SB207 x 1-7/16		
BF208 x 40MM	BF208 x 40SMM	40		148	21	7	90	119	10.5	13.5	43.2	39.5	SA208 x 40MM	SB208 x 40MM	BF208 (PF8)	0.8
BF208 x 1-1/2	BF208 x 1-1/2S	1-1/2	5.83	0.83	0.28	3.54	4.687	0.41	0.53	1.70	1.56		SA208 x 1-1/2	SB208 x 1-1/2		
BF208-4B x 40MM	BF208-4B x 40SMM	40		147.6	20.6	6.8	90.40	119.06	10.3	13.5	43.0	39.3	SA208 x 40MM	SB208 x 40MM	BF208-4B (PF8)	0.9
BF208-4B x 1-1/2	BF208-4B x 1-1/2S	1-1/2	5.81	0.81	0.27	3.56	4.69	0.41	0.53	1.69	1.55		SA208 x 1-1/2	SB208 x 1-1/2		
BF210-4B x 50MM	BF210-4B x 50SMM	50		155.6	25.4	7.6	101.6	127.0	12.7	13.5	45.4	44.7	SA210 x 50MM	SB210 x 50MM	BF210-4B (PF210)	1.1
BF210-4B x 1-7/8	BF210-4B x 1-7/8S	1-7/8	6.13	1.0	0.30	4.0	5.0	0.50	0.53	1.79	1.76		SA210 x 1-7/8	SB210 x 1-7/8		
BF210-4B x 1-15/16	BF210-4B x 1-15/16S	1-15/16											SA210 x 1-15/16	SB210 x 1-15/16		
BF210-4B x 2	BF210-4B x 2S	2											SA210 x 2	SB210 x 2		

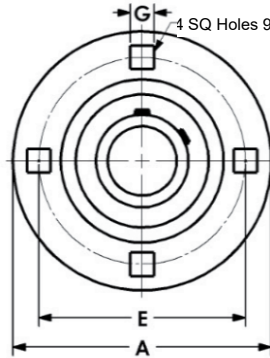
Note: Adapter Lock Bearings also available from stock.

# Pressed Steel Flange Units

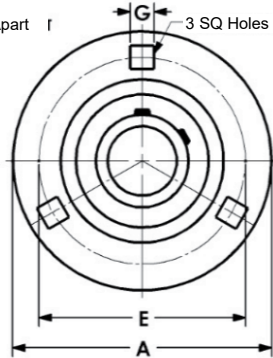


## BF PTI Series - 3 & 4 Bolt Round

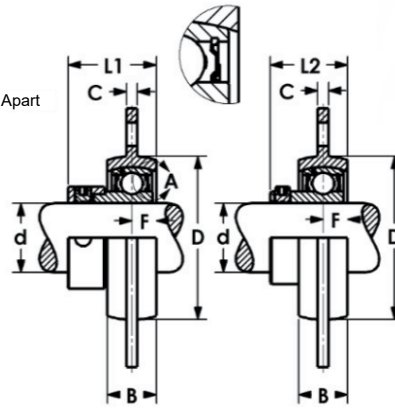
Normal Duty, 2 pc Steel Housing  
Eccentric and Set Screw Locking  
Metric and Inch Bores



Size: BF 208 & 210



Size: BF 203-208



Eccentric Lock  
SA Bearing

Set Screw Lock  
SB Bearing



Models Available

Part No.		Shaft Size d		Dimensions (mm) (in)								Bearing Part No.		Housing No.	Wt. kg	
Eccentric	Set Screw	mm	in	A	B	C	D	E	F	G	L <sub>1</sub>	L <sub>2</sub>	Eccentric			Set Screw
BF201-12MM	BF201-12SMM	12		81	14	4	48	63.5	7	7.1	29.1	23	SA201-12MM	SB201-12MM	BF203 (PF3)	0.2
BF202-15MM	BF202-15SMM	15											SA202-15MM	SB202-15MM		
BF203-17MM	BF203-17SMM	17											SA203-17MM	SB203-17MM		
BF201-8	BF201-8S		1/2	3.19	0.55	0.16	1.89	2.500	0.28	0.28	1.15	0.91	SA201-8	SB201-8		
BF202-10	BF202-10S		5/8										SA202-10	SB202-10		
BF203-11	BF203-11S		11/16										SA203-11	SB203-11		
BF204-20MM	BF204-20SMM	20		90	17	4	55	71.5	8.5	8.7	32.5	26.5	SA204-20MM	SB204-20MM	BF204 (PF4)	0.3
BF204-12	BF204-12S		3/4	3.56	0.67	0.16	2.17	2.815	0.33	0.34	1.28	1.04	SA204-12	SB204-12		
BF205-25MM	BF205-25SMM	25		95	18	4	60	76	9	8.7	32.5	28.5	SA205-25MM	SB205-25MM	BF205 (PF5)	0.4
BF205-14	BF205-14S		7/8	3.74	0.71	0.16	2.36	2.99	0.35	0.34	1.28	1.12	SA205-14	SB205-14		
BF205-15	BF205-15S		15/16										SA205-15	SB205-15		
BF205-16	BF205-16S		1										SA205-16	SB205-16		
BF206-30MM	BF206-30SMM	30		113	19	5	71	90.5	9.5	10.5	37.2	31.5	SA206-30MM	SB206-30MM	BF206 (PF6)	0.5
—	BF206-17S		1-1/16	4.45	0.75	0.20	2.80	3.563	0.37	0.41	1.43	1.24	—	SB206-17		
BF206-18	BF206-18S		1-1/8	4.45	0.75	0.20	2.80	3.563	0.37	0.41	1.46	1.24	SA206-18	SB206-18		
BF206-19	BF206-19S		1-3/16										SA206-19	SB206-19		
BF206-20	BF206-20S		1-1/4										SA206-20	SB206-20		
BF207-35MM	BF207-35SMM	35		122	21	5	81	100	10.5	10.5	40.9	34.0	SA207-35MM	SB207-35MM	BF207 (PF7)	0.7
BF207-20	BF207-20S		1-1/4	4.80	0.83	0.20	3.19	3.937	0.41	0.41	1.61	1.34	SA207-20	SB207-20		
BF207-22	BF207-22S		1-3/8										SA207-22	SB207-22		
BF207-23	BF207-23S		1-7/16										SA207-23	SB207-23		
BF208-40MM	BF208-40SMM	40		148	21	7	90	119	10.5	13.5	45.2	35.5	SA208-40MM	SB208-40MM	BF208 (PF8)	0.8
BF208-24	BF208-24S		1-1/2	5.83	0.83	0.28	3.54	4.687	0.41	0.53	1.70	1.40	SA208-24	SB208-24		
BF208-4B-40MM	BF208-4B-40SMM	40		147.6	20.6	6.8	90.49	119.06	10.3	13.5	43.0	39.3	SA208-40MM	SB208-40MM	BF208-4B (PF8)	0.9
BF208-4B-24	BF208-4B-24S		1-1/2	5.81	0.81	0.27	3.56	4.69	0.41	0.53	1.69	1.55	SA208-24	SB208-24		
BF210-4B-50MM	BF210-4B-50SMM	50		25.4	7.60	7.60	127.0	127.0	12.7	13.5	45.4	44.7	SA210-50MM	SB210-50MM	BF210-4B (PF10)	1.0
BF210-4B-30	BF210-4B-30S		1-7/8	1.00	0.30	0.30	5.0	5.0	0.50	0.53	1.79	1.76	SA210-30	SB210-30		
BF210-4B-31	BF210-4B-31S		1-15/16										SA210-31	SB210-31		
BF210-4B-32	BF210-4B-32S		2										SA210-32	SB210-32		

Note: Adapter Lock Bearings also available from stock.

# Pressed Steel 3-Bolt Flange



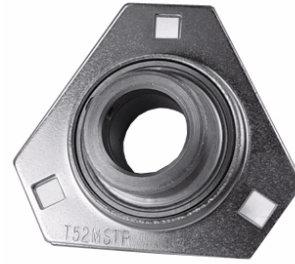
## DBF 200 Euro Series

Normal Duty Bearing

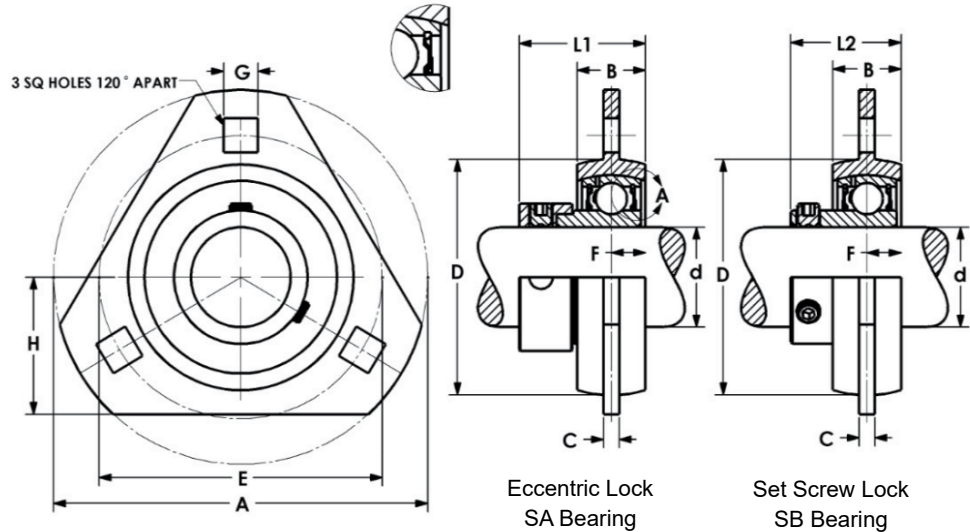
Set Screw and Eccentric Lock

Metric and Inch Bores

2 pc Plated Steel Flanges



Models Available



Part No.		Shaft Size d		Dimensions (mm) (in)										Bearing No.		Housing No.	Wt. kg
Eccentric	Set Screw	mm	in	A	B	C	D	E	F	G	H	L <sub>1</sub>	L <sub>2</sub>	Eccentric	Set Screw		
DBF201 x 12MM	DBF201 x 12SMM	12		81	14	4	48	63.5	7	7	29	29.1	23	SA201 x 12MM	SB201 x 12MM	DBF203(40)	0.2
DBF202 x 15MM	DBF202 x 15SMM	15												SA202 x 15MM	SB202 x 15MM		
DBF203 x 17MM	DBF203 x 17SMM	17												SA203 x 17MM	SB203 x 17MM		
DBF201 x 1/2	DBF201 x 1/2S		1/2	3.19	0.55	0.16	1.89	2.50	0.28	0.28	1.14	1.15	0.91	SA201 x 1/2	SB201 x 1/2		
DBF202 x 5/8	DBF202 x 5/8S		5/8											SA202 x 5/8	SB202 x 5/8		
DBF203 x 11/16	DBF203 x 11/16S		11/16											SA203 x 11/16	SB203 x 11/16		
DBF204 x 20MM	DBF204 x 20SMM	20		90.5	16	4	55	71.5	8	8.7	33.3	32	26.5	SA204 x 20MM	SB204 x 20MM	DBF204	0.3
DBF204 x 3/4	DBF204 x 3/4S		3/4	3.56	0.63	0.16	2.16	2.81	0.31	0.34	1.31	1.26	1.04	SA204 x 3/4	SB204 x 3/4		
DBF205 x 25MM	DBF205 x 25SMM	25		95.3	17.4	4	60	76	8.7	8.7	34.9	32.5	28.5	SA205 x 25MM	SB205 x 25MM	DBF205	0.4
DBF205 x 7/8	DBF205 x 7/8S		7/8	3.75	0.69	0.16	2.36	2.99	0.34	0.34	1.37	1.28	1.12	SA205 x 7/8	SB205 x 7/8		
DBF205 x 15/16	DBF205 x 15/16S		15/16											SA205 x 15/16	SB205 x 15/16		
DBF205 x 1	DBF205 x 1S		1											SA205 x 1	SB205 x 1		
DBF206 x 30MM	DBF206 x 30SMM	30		112.7	17.4	5.2	71	90.5	8.7	10.5	38.1	36.2	30.5	SA206 x 30MM	SB206 x 30MM	DBF206	0.6
DBF206 x 1-1/8	DBF206 x 1-1/8S		1-1/8	4.44	0.69	0.20	2.80	3.56	0.34	0.41	1.50	1.43	1.20	SA206 x 1-1/8	SB206 x 1-1/8		
DBF206 x 1-3/16	DBF206 x 1-3/16S		1-3/16											SA206 x 1-3/16	SB206 x 1-3/16		
DBF206 x 1-1/4	DBF206 x 1-1/4S		1-1/4											SA206 x 1-1/4	SB206 x 1-1/4		
DBF207 x 35MM	DBF207 x 35SMM	35		127	19	5.2	81	100	9.5	10.5	44.5	39.9	36	SA207 x 35MM	SB207 x 35MM	DBF207	0.7
DBF207 x 1-1/4	DBF207 x 1-1/4S		1-1/4	5.00	0.75	0.20	3.19	3.94	0.37	0.41	1.75	1.57	1.42	SA207 x 1-1/4	SB207 x 1-1/4		
DBF207 x 1-3/8	DBF207 x 1-3/8S		1-3/8											SA207 x 1-3/8	SB207 x 1-3/8		
DBF207 x 1-7/16	DBF207 x 1-7/16S		1-7/16											SA207 x 1-7/16	SB207 x 1-7/16		

Note: Adapter Lock Bearings also available from stock.

# Pressed Steel 3-Bolt Flange



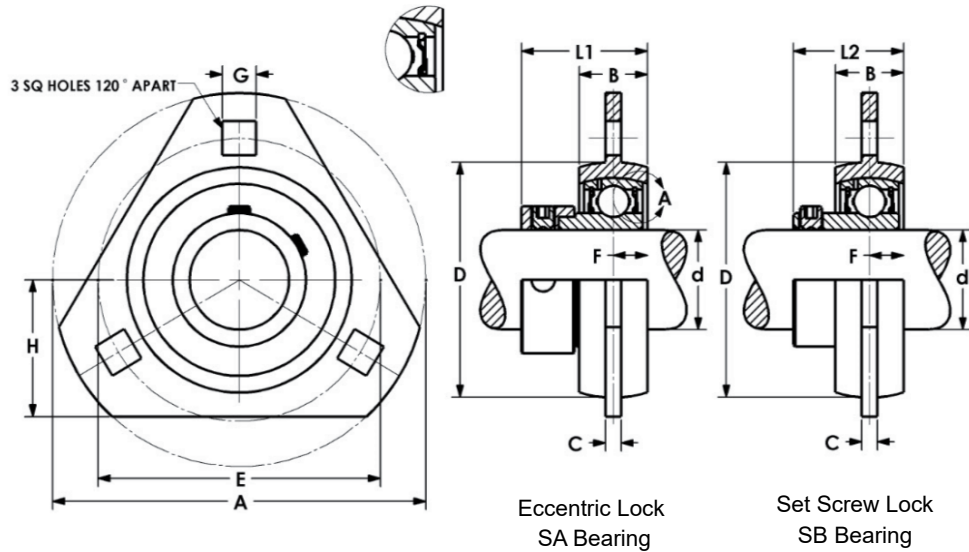
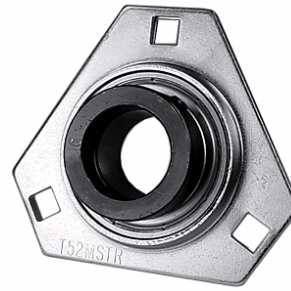
## DBF 200 PTI Series

Normal Duty Bearings

Set Screw and Eccentric Lock

Metric and Inch Bores

2 pc Plated Steel Flanges



Part No.		Shaft Size d		Dimensions (mm) (in)								Bearing No.		Housing No.	Wt. kg		
Eccentric	Set Screw	mm	in	A	B	C	D	E	F	G	H	L <sub>1</sub>	L <sub>2</sub>			Eccentric	Set Screw
DBF201-12MM	DBF201-12SMM	12		81	14	4	48	63.5	7	7	29	29.6	23	SA201-12MM	SB201-12MM	DBF203(40)	0.2
DBF202-15MM	DBF202-15SMM	15												SA202-15MM	SB202-15MM		
DBF203-17MM	DBF203-17SMM	17												SA203-17MM	SB203-17MM		
DBF201-8	DBF201-8S	1/2	3.19	0.55	0.16	1.89	2.50	0.28	0.28	1.14	1.17	0.91	SA201-8	SB201-8			
DBF202-10	DBF202-10S	5/8												SA202-10	SB202-10		
DBF203-11	DBF203-11S	11/16												SA203-11	SB203-11		
DBF204-20MM	DBF204-20SMM	20		90.5	16	4	55	71.5	8	8.7	33.3	32.5	26.5	SA204-20MM	SB204-20MM	DBF204	0.3
DBF204-12	DBF204-12S		3/4	3.56	0.63	0.16	2.16	2.81	0.31	0.34	1.31	1.28	1.04	SA204-12	SB204-12		
DBF205-25MM	DBF205-25SMM	25		95.3	17.4	4	60	76	8.7	8.7	34.9	32.5	28.5	SA205-25MM	SB205-25MM	DBF205	0.4
DBF205-14	DBF205-14S		7/8	3.75	0.69	0.16	2.36	2.99	0.34	0.34	1.37	1.28	1.12	SA205-14	SB205-14		
DBF205-15	DBF205-15S		15/16											SA205-15	SB205-15		
DBF205-16	DBF205-16S		1											SA205-16	SB205-16		
DBF206-30MM	DBF206-30SMM	30		112.7	17.4	5.2	71	90.5	8.7	10.5	38.1	37.2	31.5	SA206-30MM	SB206-30MM	DBF206	0.6
DBF206-18	DBF206-18S		1-1/8	4.44	0.69	0.20	2.80	3.56	0.34	0.41	1.50	1.46	1.24	SA206-18	SB206-18		
DBF206-19	DBF206-19S		1-3/16											SA206-19	SB206-19		
DBF206-20	DBF206-20S		1-1/4											SA206-20	SB206-20		
DBF207-35MM	DBF207-35SMM	35		127	19	5.2	81	100	9.5	10.5	44.5	40.9	34	SA207-35MM	SB207-35MM	DBF207	0.7
DBF207-20	DBF207-20S		1-1/4	5.00	0.75	0.20	3.19	3.94	0.37	0.41	1.75	1.61	1.34	SA207-20	SB207-20		
DBF207-22	DBF207-22S		1-3/8											SA207-22	SB207-22		
DBF207-23	DBF207-23S		1-7/16											SA207-23	SB207-23		

Note: Adapter Lock Bearings also available from stock.

# 2-Bolt Flange



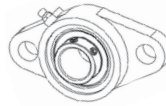
## UCFL 200 Euro Series

Normal Duty Bearing

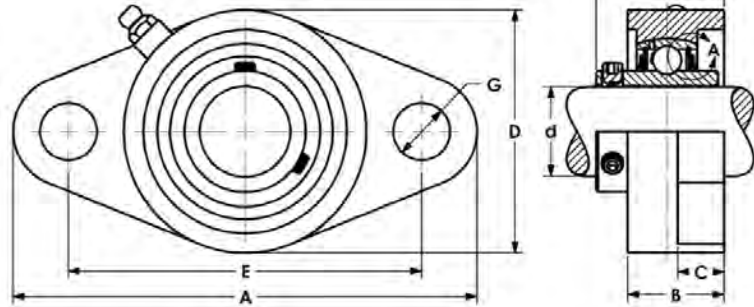
Cast Iron Housing

Set Screw Lock

Metric and Inch Bores



Models Available



Part No.	Shaft Size d		Dimensions (mm) (in)								Bearing No.	Housing No.	Wt. kg
	mm	in	A	B	C	D	E	F	G	L			
UCFL204 x 20MM UCFL204 x 3/4	20	3/4	113 4.45	25.5 1.00	11 0.43	60 2.36	90 3.54	15 0.59	12 0.47	33.3 1.31	UC204 x 20MM UC204 x 3/4	FL204	0.5
UCFL205 x 25MM UCFL205 x 7/8 UCFL205 x 15/16 UCFL205 x 1	25	7/8 15/16 1	130 5.12	27 1.06	13 0.51	68 2.68	99 3.90	16 0.63	16 0.63	35.8 1.41	UC205 x 25MM UC205 x 7/8 UC205 x 15/16 UC205 x 1	FL205	0.7
UCFL206 x 30MM UCFL206 x 1-1/8 UCFL206 x 1-3/16 UCFL206 x 1-1/4	30	1-1/8 1-3/16 1-1/4	148 5.83	31 1.22	13 0.51	80 3.15	117 4.61	18 0.71	16 0.63	40.2 1.58	UC206 x 30MM UC206 x 1-1/8 UC206 x 1-3/16 UC206 x 1-1/4	FL206	1.0
UCFL207 x 35MM UCFL207 x 1-1/4 UCFL207 x 1-3/8 UCFL207 x 1-7/16	35	1-1/4 1-3/8 1-7/16	161 6.34	34 1.34	15 0.59	90 3.54	130 5.12	19 0.75	16 0.63	44.4 1.75	UC207 x 35MM UC207 x 1-1/4 UC207 x 1-3/8 UC207 x 1-7/16	FL207	1.3
UCFL208 x 40MM UCFL208 x 1-1/2	40	1-1/2	175 6.89	36 1.42	15 0.59	100 3.94	144 5.67	21 0.83	16 0.63	51.2 2.02	UC208 x 40MM UC208 x 1-1/2	FL208	1.6
UCFL209 x 45MM UCFL209 x 1-5/8 UCFL209 x 1-11/16 UCFL209 x 1-3/4	45	1-5/8 1-11/16 1-3/4	188 7.40	38 1.50	16 0.63	108 4.25	148 5.83	22 0.87	19 0.75	52.2 2.06	UC209 x 45MM UC209 x 1-5/8 UC209 x 1-11/16 UC209 x 1-3/4	FL209	2.0
UCFL210 x 50MM UCFL210 x 1-7/8 UCFL210 x 1-15/16 UCFL210 x 2	50	1-7/8 1-15/16 2	197 7.76	40 1.58	16 0.63	115 4.53	157 6.18	22 0.87	19 0.75	54.6 2.15	UC210 x 50MM UC210 x 1-7/8 UC210 x 1-15/16 UC210 x 2	FL210	2.3
UCFL211 x 55MM UCFL211 x 2 UCFL211 x 2-1/8 UCFL211 x 2-3/16	55	2 2-1/8 2-3/16	224 8.82	43 1.69	18 0.71	130 5.12	184 7.24	25 0.98	19 0.75	58.4 2.30	UC211 x 55MM UC211 x 2 UC211 x 2-1/8 UC211 x 2-3/16	FL211	3.3
UCFL212 x 60MM UCFL212 x 2-1/4 UCFL212 x 2-3/8 UCFL212 x 2-7/16	60	2-1/4 2-3/8 2-7/16	250 9.84	48 1.89	18 0.71	140 5.51	202 7.95	29 1.14	23 0.91	68.7 2.70	UC212 x 60MM UC212 x 2-1/4 UC212 x 2-3/8 UC212 x 2-7/16	FL212	4.2
UCFL213 x 65MM UCFL213 x 2-1/2	65	2-1/2	258 10.16	50 1.97	22 0.87	153 6.02	210 8.27	30 1.18	23 0.91	69.7 2.74	UC213 x 65MM UC213 x 2-1/2	FL213	5.18
UCFL214 x 70MM UCFL214 x 2-3/4	70	2-3/4	265 10.43	54 2.13	22 0.87	157 6.18	216 8.50	31 1.22	23 0.91	75.4 2.97	UC214 x 70MM UC214 x 2-3/4	FL214	5.9
UCFL215 x 75MM UCFL215 x 2-15/16 UCFL215 x 3	75	2-15/16 3	275 10.83	56 2.20	22 0.87	162 6.38	225 8.86	34 1.34	23 0.91	78.5 3.09	UC215 x 75MM UC215 x 2-15/16 UC215 x 3	FL215	6.14

Note: Eccentric Collar SA Bearings with Narrow Inner Ring are also available from stock.

# 2-Bolt Flange

## UCFL 200 PTI Series

Normal Duty Bearing

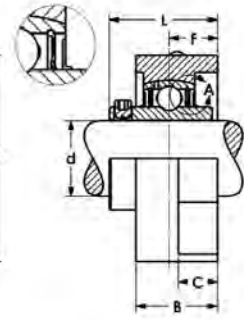
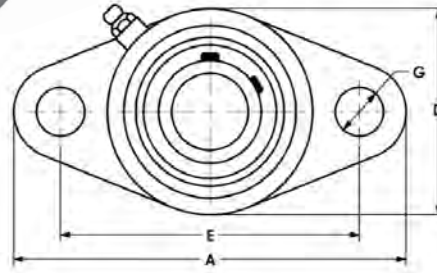
Cast Iron Housing

Set Screw Lock

Metric and Inch Bores



Models Available



Part No.	Shaft Size d		Dimensions (mm) (in)								Bearing No.	Housing No.	Wt. kg
	mm	in	A	B	C	D	E	F	G	L			
UCFL201-12MM UCFL202-15MM UCFL203-17MM UCFL201-8 UCFL202-10 UCFL203-11	12 15 17  1/2 5/8 11/16		99 3.9	25.5 1.0	11 0.43	57 2.24	76.5 3.01	15 0.59	11.5 0.45	30.9 1.22	UC201-12MM UC202-15MM UC203-17MM UC201-8 UC202-10 UC203-11	FL203	0.4
UCFL204-20MM UCFL204-12	20  3/4		113 4.45	25.5 1.00	11 0.43	60 2.36	90 3.54	15 0.59	12 0.47	33.3 1.31	UC204-20MM UC204-12	FL204	0.5
UCFL205-25MM UCFL205-14 UCFL205-15 UCFL205-16	25  7/8 15/16 1		130 5.12	27 1.06	13 0.51	68 2.68	99 3.90	16 0.63	16 0.63	35.8 1.41	UC205-25MM UC205-14 UC205-15 UC205-16	FL205	0.7
UCFL206-30MM UCFL206-18 UCFL206-19 UCFL206-20	30  1-1/8 1-3/16 1-1/4		148 5.83	31 1.22	13 0.51	80 3.15	117 4.61	18 0.71	16 0.63	40.2 1.58	UC206-30MM UC206-18 UC206-19 UC206-20	FL206	1.0
UCFL207-35MM UCFL207-20 UCFL207-22 UCFL207-23	35  1-1/4 1-3/8 1-7/16		161 6.34	34 1.34	15 0.59	90 3.54	130 5.12	19 0.75	16 0.63	44.4 1.75	UC207-35MM UC207-20 UC207-22 UC207-23	FL207	1.3
UCFL208-40MM UCFL208-24	40  1-1/2		175 6.89	36 1.42	15 0.59	100 3.94	144 5.67	21 0.83	16 0.63	51.2 2.02	UC208-40MM UC208-24	FL208	1.6
UCFL209-45MM UCFL209-26 UCFL209-27 UCFL209-28	45  1-5/8 1-11/16 1-3/4		188 7.40	38 1.50	16 0.63	108 4.25	148 5.83	22 0.87	19 0.75	52.2 2.06	UC209-45MM UC209-26 UC209-27 UC209-28	FL209	2.0
UCFL210-50MM UCFL210-30 UCFL210-31 UCFL210-32	50  1-7/8 1-15/16 2		197 7.76	40 1.58	16 0.63	115 4.53	157 6.18	22 0.87	19 0.75	54.6 2.15	UC210-50MM UC210-30 UC210-31 UC210-32	FL210	2.3
UCFL211-55MM UCFL211-32 UCFL211-34 UCFL211-35	55  2 2-1/8 2-3/16		224 8.82	43 1.69	18 0.71	130 5.12	184 7.24	25 0.98	19 0.75	58.4 2.30	UC211-55MM UC211-32 UC211-34 UC211-35	FL211	3.3
UCFL212-60MM UCFL212-36 UCFL212-38 UCFL212-39	60  2-1/4 2-3/8 2-7/16		250 9.84	48 1.89	18 0.71	140 5.51	202 7.95	29 1.14	23 0.91	68.7 2.70	UC212-60MM UC212-36 UC212-38 UC212-39	FL212	4.2
UCFL213-65MM UCFL213-40	65  2-1/2		258 10.16	50 1.97	22 0.87	153 6.02	210 8.27	30 1.18	23 0.91	69.7 2.74	UC213-65MM UC213-40	FL213	5.18
UCFL214-70MM UCFL214-44	70  2-3/4		265 10.43	54 2.13	22 0.87	157 6.18	216 8.50	31 1.22	23 0.91	75.4 2.97	UC214-70MM UC214-44	FL214	5.9
UCFL215-75MM UCFL215-47 UCFL215-48	75  2-15/16 3		275 10.83	56 2.20	22 0.87	162 6.38	225 8.86	34 1.34	23 0.91	78.5 3.09	UC215-75MM UC215-47 UC215-48	FL215	6.14

Note: Eccentric Collar SA Bearings with Narrow Inner Ring are also available from stock.

# 2-Bolt Flange



## UCFT 200 Euro Series

Normal Duty Bearing

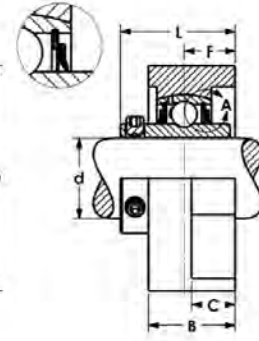
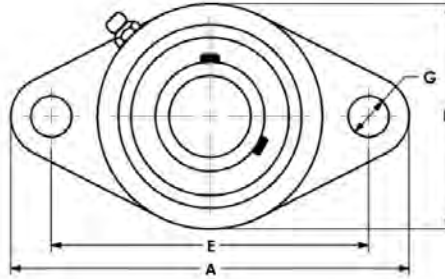
Cast Iron Housing

Set Screw Lock

Metric and Inch Bores



Models Available



Part No.	Shaft Size d		Dimensions (mm) (in)								Bearing No.	Housing No.	Wt. kg
	mm	in	A	B	C	D	E	F	G	L			
UCFT201 x 12MM	12		99	24.6	11	54	76.2	17.06	10.3	35.5	UC201 x 12MM UC202 x 15MM UC203 x 17MM UC201 x 1/2 UC202 x 5/8 UC203 x 11/16	FT203	0.5
UCFT202 x 15MM	15												
UCFT203 x 17MM	17												
UCFT201 x 1/2		1/2	3.90	0.96	0.43	2.13	3.0	0.67	0.41	1.40			
UCFT202 x 5/8		5/8											
UCFT203 x 11/16		11/16											
UCFT204 x 20MM	20		112.0	24.6	11	60.3	89.2	14.29	10.3	32.6	UC204 x 20MM UC204 x 3/4	FT204	0.6
UCFT204 x 3/4		3/4	4.41	0.97	0.44	2.38	3.51	0.56	0.40	1.28			
UCFT205 x 25MM	25		124.0	27	13.5	70	98.8	15.87	12.7	35.6	UC205 x 25MM UC205 x 7/8 UC205 x 15/16 UC205 x 1	FT205	0.7
UCFT205 x 7/8		7/8	4.87	1.06	0.53	2.75	3.89	0.63	0.50	1.40			
UCFT205 x 15/16		15/16											
UCFT205 x 1		1											
UCFT206 x 30MM	30		141	30	13.5	83	116.7	17.86	12.7	40	UC206 x 30MM UC206 x 1-1/8 UC206 x 1-3/16 UC206 x 1-1/4	FT206	1.0
UCFT206 x 1-1/8		1-1/8	5.56	1.19	0.53	3.25	4.59	0.70	0.50	1.58			
UCFT206 x 1-3/16		1-3/16											
UCFT206 x 1-1/4		1-1/4											
UCFT207 x 35MM	35		155	34	14.3	95	130	19.05	14	44.5	UC207 x 35MM UC207 x 1-1/4 UC207 x 1-3/8 UC207 x 1-7/16	FT207	1.4
UCFT207 x 1-1/4		1-1/4	6.13	1.34	0.56	3.75	5.12	0.75	0.55	1.75			
UCFT207 x 1-3/8		1-3/8											
UCFT207 x 1-7/16		1-7/16											
UCFT208 x 40MM	40		171	38	14.3	105	143.7	21.03	14	51.2	UC208 x 40MM UC208 x 1-1/2	FT208	1.8
UCFT208 x 1-1/2		1-1/2	6.75	1.5	0.56	4.13	5.65	0.83	0.55	2.02			
UCFT209 x 45MM	45		179	40	14.3	111	148.4	21.83	16	52	UC209 x 45MM UC209 x 1-5/8 UC209 x 1-11/16 UC209 x 1-3/4	FT209	2.0
UCFT209 x 1-5/8		1-5/8	7.06	1.56	0.56	4.38	5.84	0.86	0.63	2.05			
UCFT209 x 1-11/16		1-11/16											
UCFT209 x 1-3/4		1-3/4											
UCFT210 x 50MM	50		189	40	14.3	116	157	22.22	16	54.8	UC210 x 50MM UC210 x 1-7/8 UC210 x 1-15/16 UC210 x 2	FT210	2.1
UCFT210 x 1-7/8		1-7/8	7.44	1.56	0.56	4.56	6.19	0.88	0.63	2.16			
UCFT210 x 1-15/16		1-15/16											
UCFT210 x 2		2											
UCFT211 x 55MM	55		216	44	20.6	133	184	25.4	18	58.8	UC211 x 55MM UC211 x 2 UC211 x 2-1/8 UC211 x 2-3/16	FT211	3.2
UCFT211 x 2		2	8.50	1.75	0.81	5.25	7.25	1.00	0.70	2.31			
UCFT211 x 2-1/8		2-1/8											
UCFT211 x 2-3/16		2-3/16											

Note: Eccentric Collar SA Bearings with Narrow Inner Ring are also available from stock.



# 2-Bolt Flange

## UCFT 200 PTI Series

Normal Duty Bearing

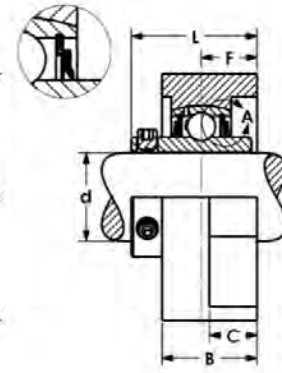
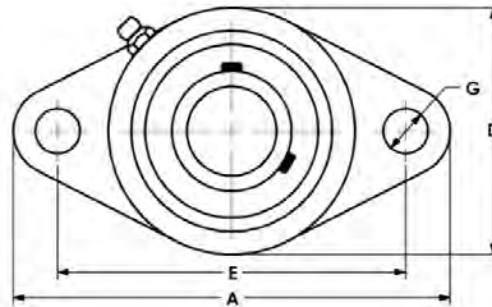
Cast Iron Housing

Set Screw Lock

Metric and Inch Bores



Models Available



Part No.	Shaft Size d		Dimensions (mm) (in)								Bearing No.	Housing No.	Wt. kg
	mm	in	A	B	C	D	E	F	G	L			
UCFT201-12MM	12		99	24.6	11	54	76.2	17.06	10.3	35.5	UC201-12MM UC202-15MM UC203-17MM UC201-8 UC202-10 UC203-11	FT203	0.5
UCFT202-15MM	15												
UCFT203-17MM	17												
UCFT201-8		1/2	3.90	0.96	0.43	2.13	3.00	0.67	0.41	1.40			
UCFT202-10		5/8											
UCFT203-11		11/16											
UCFT204-20MM	20		112.0	24.6	11	60.3	89.2	14.29	10.3	32.6	UC204-20MM UC204-12	FT204	0.6
UCFT204-12		3/4	4.41	0.97	0.44	2.38	3.51	0.56	0.40	1.28			
UCFT205-25MM	25		124.0	27	13.5	70	98.8	15.87	12.7	35.6	UC205-25MM UC205-14 UC205-15 UC205-16	FT205	0.7
UCFT205-14		7/8	4.87	1.06	0.53	2.75	3.89	0.63	0.50	1.40			
UCFT205-15		15/16											
UCFT205-16		1											
UCFT206-30MM	30		141	30	13.5	83	116.7	17.86	12.7	40			
UCFT206-18		1-1/8	5.56	1.19	0.53	3.25	4.59	0.70	0.50	1.58	UC206-18 UC206-19 UC206-20	FT206	1.0
UCFT206-19		1-3/16											
UCFT206-20		1-1/4											
UCFT207-35MM	35		155	34	14.3	95	130	19.05	14	44.5	UC207-35MM UC207-20 UC207-22 UC207-23	FT207	1.4
UCFT207-20		1-1/4	6.13	1.34	0.56	3.75	5.12	0.75	0.55	1.75			
UCFT207-22		1-3/8											
UCFT207-23		1-7/16											
UCFT208-40MM	40		171	38	14.3	105	143.7	21.03	14	51.2			
UCFT208-24		1-1/2	6.75	1.5	0.56	4.13	5.65	0.83	0.55	2.02	UC208-40MM UC208-24	FT208	1.8
UCFT209-45MM	45		179	40	14.3	111	148.4	21.83	16	52			
UCFT209-26		1-5/8	7.06	1.56	0.56	4.38	5.84	0.86	0.63	2.05	UC209-45MM UC209-26 UC209-27 UC209-28	FT209	2.0
UCFT209-27		1-11/16											
UCFT209-28		1-3/4											
UCFT210-50MM	50		189	40	14.3	116	157	22.22	16	54.8	UC210-50MM UC210-30 UC210-31 UC210-32	FT210	2.1
UCFT210-30		1-7/8	7.40	1.56	0.56	4.56	6.19	0.88	0.63	2.16			
UCFT210-31		1-15/16											
UCFT210-32		2											
UCFT211-55MM	55		216	44	20.6	133	184	25.4	18	58.8			
UCFT211-32		2	8.50	1.75	0.81	5.25	7.25	1.00	0.70	2.31	UC211-55MM UC211-32 UC211-34 UC211-35	FT211	3.2
UCFT211-34		2-1/8											
UCFT211-35		2-3/16											

Note: Eccentric Collar SA Bearings with Narrow Inner Ring are also available from stock.

# 2-Bolt Flange

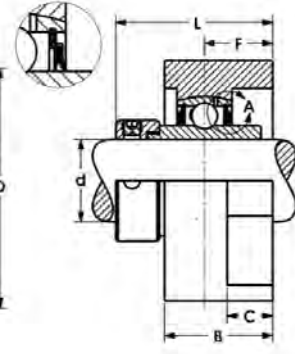
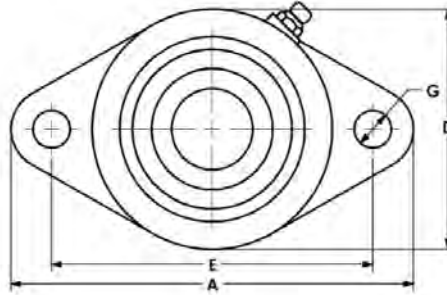


## OWF 200 Euro Series

Normal Duty Bearing  
Cast Iron Housing  
Eccentric Collar Lock  
Metric and Inch Bores



Models Available



Part No.	Shaft Size d		Dimensions (mm) (in)								Bearing No.	Housing No.	Wt. kg
	mm	in	A	B	C	D	E	F	G	L			
OWF204 x 20AMM OWF204 x 3/4A	20	3/4	112 4.41	34 1.34	13.5 0.53	63 2.48	90.0 3.54	21.5 0.85	11.5 0.45	48.1 1.89	HC204 x 20MM HC204 x 3/4	OWF204	0.7
OWF205 x 25AMM OWF205 x 7/8A OWF205 x 15/16A OWF205 x 1A	25	7/8 15/16 1	124 4.88	33.3 1.31	14 0.55	74 2.91	99.0 3.90	21 0.83	11.5 0.45	47.9 1.89	HC205 x 25MM HC205 x 7/8 HC205 x 15/16 HC205 x 1	OWF205	1.0
OWF206 x 30AMM OWF206 x 1-1/8A OWF206 x 1-3/16A OWF206 x 1-1/4A	30	1-1/8 1-3/16 1-1/4	141.5 5.57	35.0 1.38	13 0.51	80 3.15	116.5 4.58	21.8 0.86	11.5 0.45	51.9 2.04	HC206 x 30MM HC206 x 1-1/8 HC206 x 1-3/16 HC206 x 1-1/4	OWF206	1.2
OWF207 x 35AMM OWF207 x 1-1/4A OWF207 x 1-3/8A OWF207 x 1-7/16A	35	1-1/4 1-3/8 1-7/16	155.5 6.12	37.3 1.47	14 0.55	92 3.62	130.0 5.12	21.5 0.85	14 0.55	53.8 2.12	HC207 x 35MM HC207 x 1-1/4 HC207 x 1-3/8 HC207 x 1-7/16	OWF207	1.7
OWF208 x 40AMM OWF208 x 1-1/2A	40	1-1/2	171.5 6.75	43.0 1.69	14 0.55	105 4.13	143.5 5.64	23.8 0.94	14 0.55	58.7 2.31	HC208 x 40MM HC208 x 1-1/2	OWF208	2.0
OWF209 x 45AMM OWF209 x 1-5/8A OWF209 x 1-11/16A OWF209 x 1-3/4A	45	1-5/8 1-11/16 1-3/4	179.5 7.07	43.0 1.69	13 0.51	105 4.13	148.5 5.85	26 1.02	44 0.55	60.9 2.4	HC209 x 45MM HC209 x 1-5/8 HC209 x 1-11/16 HC209 x 1-3/4	OWF209	2.5
OWF210 x 50AMM OWF210 x 1-7/8A OWF210 x 1-15/16A OWF210 x 2A	50	1-7/8 1-15/16 2	196 7.72	47.5 1.87	13.5 0.53	117 4.61	157.0 6.18	28.6 1.13	18 0.71	66.7 2.62	HC210 x 50MM HC210 x 1-7/8 HC210 x 1-15/16 HC210 x 2	OWF210	3.1
OWF211 x 55AMM OWF211 x 2A OWF211 x 2-1/8A OWF211 x 2-3/16A	55	2 2-1/8 2-3/16	224 8.82	43.0 1.69	18 0.71	130 5.12	184.0 7.24	25 0.98	18 0.71	68.6 2.70	HC211 x 55MM HC211 x 2 HC211 x 2-1/8 HC211 x 2-3/16	OWF211	3.3
OWF212 x 60AMM OWF212 x 2-1/4A OWF212 x 2-3/8A OWF212 x 2-7/16A	60	2-1/4 2-3/8 2-7/16	238 9.37	54.0 2.13	16 0.63	140 5.51	202.0 7.95	35 1.38	18 0.71	81.8 3.22	HC212 x 60MM HC212 x 2-1/4 HC212 x 2-3/8 HC212 x 2-7/16	OWF212	3.5
OWF214 x 70AMM OWF214 x 2-3/4	70	2-3/4	258 10.15	57.0 2.24	18 0.71	160 6.30	216.0 8.50	38 1.50	21 0.83	82.6 3.25	HC214 x 70mm HC214 x 2-3/4	OWF214	6.2

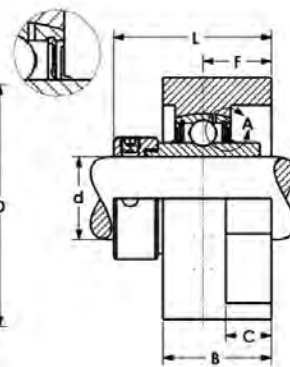
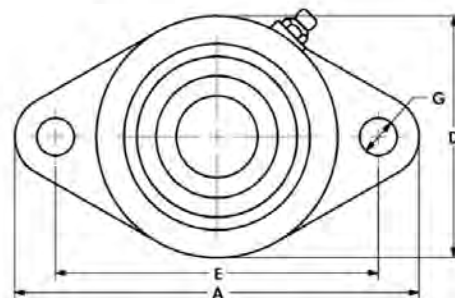
Note: Set Screw and Adapter Lock Bearings also available from stock.

# 2-Bolt Flange

**OWF 200 PTI Series**  
**Normal Duty Bearings**  
**Cast Iron Housing**  
**Eccentric Collar Lock**  
**Metric and Inch Bores**



Models Available



Part No.	Shaft Size d		Dimensions (mm) (in)								Bearing No.	Housing No.	Wt. kg
	mm	in	A	B	C	D	E	F	G	L			
OWF204-20AMM	20		112	34	13.5	63	90.0	21.5	11.5	48.1	HC204-20MM	OWF204	0.7
OWF204-12A		3/4	4.41	1.34	0.53	2.48	3.54	0.85	0.45	1.89	HC204-12		
OWF205-25AMM	25		124	33.3	14	74	99.0	21	11.5	47.9	HC205-25MM	OWF205	1.0
OWF205-14A		7/8	4.88	1.31	0.55	2.91	3.90	0.83	0.45	1.89	HC205-14		
OWF205-15A		15/16									HC205-15		
OWF205-16A		1									HC205-16		
OWF206-30AMM	30		141.5	35.0	13	80	116.5	21.8	11.5	51.9	HC206-30MM	OWF206	1.2
OWF206-18A		1-1/8	5.57	1.38	0.51	3.15	4.58	0.86	0.45	2.04	HC206-18		
OWF206-19A		1-3/16									HC206-19		
OWF206-20A		1-1/4									HC206-20		
OWF207-35AMM	35		155.5	37.3	14	92	130.0	21.5	14	53.8	HC207-35MM	OWF207	1.7
OWF207-20A		1-1/4	6.12	1.47	0.55	3.62	5.12	0.85	0.55	2.12	HC207-20		
OWF207-22A		1-3/8									HC207-22		
OWF207-23A		1-7/16									HC207-23		
OWF208-40AMM	40		171.5	43.0	14	105	143.5	23.8	14	58.7	HC208-40MM	OWF208	2.0
OWF208-24A		1-1/2	6.75	1.69	0.55	4.13	5.64	0.94	0.55	2.31	HC208-24		
OWF209-45AMM	45		179.5	43.0	13	105	148.5	26	14	60.9	HC209-45MM	OWF209	2.5
OWF209-26A		1-5/8	7.07	1.69	0.51	4.13	5.85	1.02	0.55	2.4	HC209-26		
OWF209-27A		1-11/16									HC209-27		
OWF209-28A		1-3/4									HC209-28		
OWF210-50AMM	50		196	47.5	13.5	117	157.0	28.6	18	66.7	HC210-50MM	OWF210	3.1
OWF210-30A		1-7/8	7.72	1.87	0.53	4.61	6.18	1.13	0.71	2.62	HC210-30		
OWF210-31A		1-15/16									HC210-31		
OWF210-32A		2									HC210-32		
OWF211-55AMM	55		224	43.0	18	130	184.0	25	18	68.6	HC211-55MM	OWF211	3.3
OWF211-32A		2	8.82	1.69	0.71	5.12	7.24	0.98	0.71	2.70	HC211-32		
OWF211-34A		2-1/8									HC211-34		
OWF211-35A		2-3/16									HC211-35		
OWF212-60AMM	60		238	54.0	16	140	202.0	35	18	81.8	HC212-60MM	OWF212	3.5
OWF212-36A		2-1/4	9.37	2.13	0.63	5.51	7.95	1.38	0.71	3.22	HC212-36		
OWF212-38A		2-3/8									HC212-38		
OWF212-39A		2-7/16									HC212-39		
OWF214-70AMM	70		258	57.0	18	160	216	38	21	89.6	HC214-70MM	OWF214	6.2
OWF214-44A		2-3/4	10.15	2.24	0.71	6.30	8.50	1.50	0.83	3.53	HC214-44		

Note: Set Screw and Adapter Lock Bearings also available from stock.

# 2 Bolt Piloted Flange



## OWFZ 200 Euro Series

Normal Duty Bearing

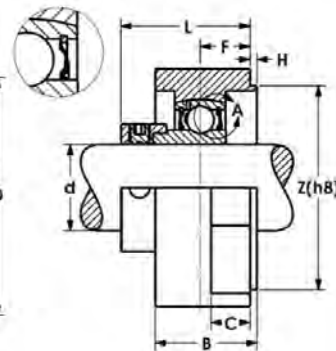
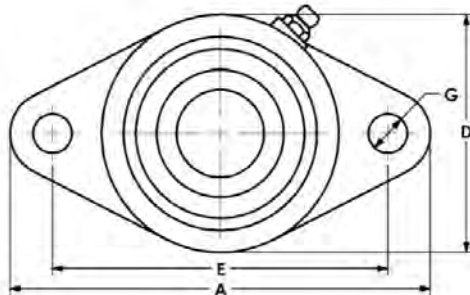
Cast Iron Housing

Eccentric Lock

Metric and Inch Bores



Models Available



Part No.	Shaft Size d		Dimensions (mm) (in)										Bearing No.	Housing No.	Wt. kg
	mm	in	A	B	C	D	E	F	G	H	L	Z(h8)			
OWFZ204 x 20MM	20		112	33	9	61.5	90	17.1	11.5	2.8	43.9	55	SA204 x 20MM	OWFZ204	0.7
OWFZ204 x 3/4		3/4	4.41	1.30	0.35	2.42	3.54	0.67	0.45	0.11	1.73	2.17	SA204 x 3/4		
OWFZ205 x 25MM	25		124	30	13	70	99	16.7	11.5	2	42.2	60	SA205 x 25MM	OWFZ205	1.0
OWFZ205 x 7/8		7/8	4.88	1.18	0.51	2.76	3.9	0.66	0.45	0.08	1.66	2.36	SA205 x 7/8		
OWFZ205 x 15/16		15/16											SA205 x 15/16		
OWFZ205 x 1		1											SA205 x 1		
OWFZ206 x 30MM	30		141.5	35	10	83	117	19.8	11.5	2	50.5	80	SA206 x 30MM	OWFZ206	1.2
OWFZ206 x 1-1/8		1-1/8	5.57	1.38	0.39	3.27	4.61	0.78	0.45	0.08	1.99	3.15	SA206 x 1-1/8		
OWFZ206 x 1-3/16		1-3/16											SA206 x 1-3/16		
OWFZ206 x 1-1/4		1-1/4											SA206 x 1-1/4		
OWFZ207 x 35MM	35		155.5	37.3	12	93	130	18.6	13.5	3	52.2	90	SA207 x 35MM	OWFZ207	1.6
OWFZ207 x 1-1/4		1-1/4	6.12	1.47	0.47	3.60	5.12	0.73	0.53	0.12	2.05	3.54	SA207 x 1-1/4		
OWFZ207 x 1-3/8		1-3/8											SA207 x 1-3/8		
OWFZ207 x 1-7/16		1-7/16											SA207 x 1-7/16		
OWFZ208 x 40MM	40		171.5	43	10	105	144	20.8	13.5	3	58.5	100	SA208 x 40MM	OWFZ208	1.9
OWFZ208 x 1-1/2		1-1/2	6.75	1.69	0.39	4.13	5.67	0.82	0.53	0.12	2.30	3.94	SA208 x 1-1/2		
OWFZ209 x 45MM	45		179.5	45	12	111	148.5	20.8	13.5	3	58	105	SA209 x 45MM	OWFZ209	2.3
OWFZ209 x 1-5/8		1-5/8	7.07	1.77	0.47	4.37	5.85	0.82	0.53	0.12	2.28	4.13	SA209 x 1-5/8		
OWFZ209 x 1-11/16		1-11/16											SA209 x 1-11/16		
OWFZ209 x 1-3/4		1-3/4											SA209 x 1-3/4		
OWFZ210 x 50MM	50		195	47.5	11	118	157	28.7	13.5	3	62.4	105	SA210 x 50MM	OWFZ210	2.8
OWFZ210 x 1-7/8		1-7/8	7.68	1.87	0.43	4.65	6.18	1.13	0.53	0.12	2.46	4.13	SA210 x 1-7/8		
OWFZ210 x 1-15/16		1-15/16											SA210 x 1-15/16		
OWFZ210 x 2		2											SA210 x 2		
OWFZ212 x 60MM	60		238	54	16	140	202	32	17.5	3	77.1	130	SA212 x 60MM	OWFZ212	3.1
OWFZ212 x 2-1/4		2-1/4	9.37	2.13	0.63	5.51	7.95	1.26	0.69	0.12	3.04	5.12	SA212 x 2-1/4		
OWFZ212 x 2-3/8		2-3/8											SA212 x 2-3/8		
OWFZ212 x 2-7/16		2-7/16											SA212 x 2-7/16		

Note: Set Screw and Adapter Lock Bearings also available from stock.

# 2 Bolt Piloted Flange

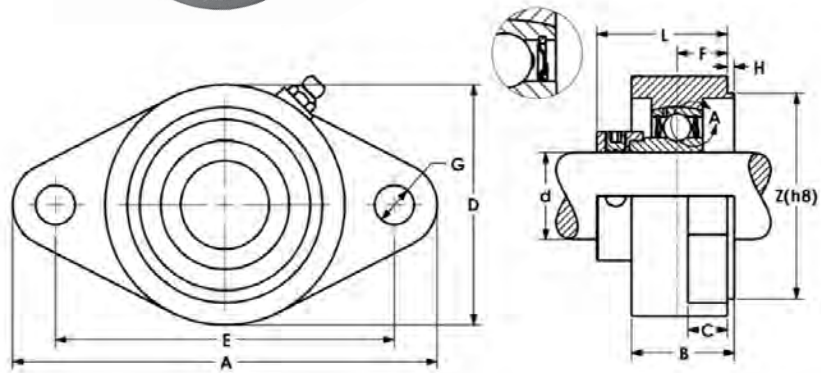


## OWFZ 200 PTI Series

Normal Duty Bearing  
Cast Iron Housing  
Eccentric Lock  
Metric and Inch Bores



Models Available



Part No.	Shaft Size d		Dimensions (mm) (in)										Bearing No.	Housing No.	Wt. kg
	mm	in	A	B	C	D	E	F	G	H	L	Z(h8)			
OWFZ204-20MM	20		112	33	9	61.5	90	17.1	11.5	2.8	43.9	55	SA204-20MM	OWFZ204	0.7
OWFZ204-12		3/4	4.41	1.30	0.35	2.42	3.54	0.67	0.45	0.11	1.73	2.17	SA204-12		
OWFZ205-25MM	25		124	30	13.5	70	99	16.7	11.5	2	42.4	60	SA205-25MM	OWFZ205	1.0
OWFZ205-14		7/8	4.88	1.18	0.51	2.76	3.9	0.66	0.45	0.08	1.66	2.36	SA205-14		
OWFZ205-15		15/16											SA205-15		
OWFZ205-16		1											SA205-16		
OWFZ206-30MM	30		141.5	35	10	83	117	19.8	11.5	2	50.5	80	SA206-30MM	OWFZ206	1.2
OWFZ206-18		1-1/8	5.57	1.38	0.39	3.27	4.61	0.78	0.45	0.08	1.99	3.15	SA206-18		
OWFZ206-19		1-3/16											SA206-19		
OWFZ206-20		1-1/4											SA206-20		
OWFZ207-35MM	35		155.5	37.3	12	93	130	18.6	13.5	3	52	90	SA207-35MM	OWFZ207	1.6
OWFZ207-20		1-1/4	6.12	1.47	0.47	3.60	5.12	0.73	0.53	0.12	2.05	3.54	SA207-20		
OWFZ207-22		1-3/8											SA207-22		
OWFZ207-23		1-7/16											SA207-23		
OWFZ208-40MM	40		171.5	43	10	105	144	20.8	13.5	3	58.5	100	SA208-40MM	OWFZ208	1.9
OWFZ208-24		1-1/2	6.75	1.69	0.39	4.13	5.67	0.82	0.53	0.12	2.30	3.94	SA208-24		
OWFZ209-45MM	45		179.5	45	12	111	148.5	20.8	13.5	3	58	105	SA 209-45MM	OWFZ209	2.3
OWFZ209-26		1-5/8	7.07	1.77	0.47	4.37	5.85	0.82	0.53	0.12	2.28	4.13	SA209-26		
OWFZ209-27		1-11/16											SA209-27		
OWFZ209-28		1-3/4											SA209-28		
OWFZ210-50MM	50		195	47.5	11	118	157.0	28.7	13.5	3	62.4	105	SA 210-50MM	OWFZ210	2.8
OWFZ210-30		1-7/8	7.68	1.87	0.43	4.65	6.18	1.13	0.53	0.12	2.46	4.13	SA210-30		
OWFZ210-31		1-15/16											SA210-31		
OWFZ210-32		2											SA210-32		
OWFZ212-60MM	60		238	54	16	140	202	32	17.5	3	77.1	130	SA212-60MM	OWFZ212	3.1
OWFZ212-36		2-1/4	9.37	2.13	0.63	5.51	7.95	1.26	0.69	0.12	3.04	5.12	SA212-36		
OWFZ212-38		2-3/8											SA212-38		
OWFZ212-39		2-7/16											SA212-39		

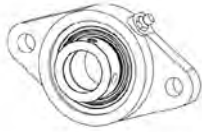
Note: Set Screw and Adapter Lock Bearings also available from stock.

# 2-Bolt Flange

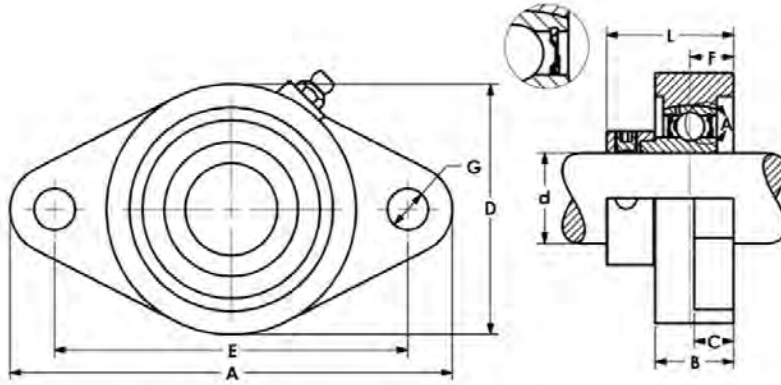


## OWFS 200 Euro Series

Normal Duty Bearing  
Narrow Cast Iron Housing  
Eccentric Lock  
Metric and Inch Bores



Models Available



Part No.	Shaft Size d		Dimensions (mm) (in)								Bearing No.	Housing No.	Wt. kg
	mm	in	A	B	C	D	E	F	G	L			
OWFS204 x 20MM	20		112.0	20	9.5	61	90.0	11	11.5	34.5	SA204 x 20MM	OWFS204	0.5
OWFS204 x 3/4		3/4	4.41	0.79	0.37	2.40	3.54	0.43	0.45	1.36	SA204 x 3/4		
OWFS205 x 25MM	25		124.0	22	11	70	99	12.2	11.5	35.7	SA205 x 25MM	OWFS205	0.7
OWFS205 x 7/8		7/8	4.88	0.87	0.43	2.76	3.9	0.48	0.45	1.41	SA205 x 7/8		
OWFS205 x 15/16		15/16									SA205 x 15/16		
OWFS205 x 1		1									SA205 x 1		
OWFS206 x 30MM	30		141.5	25.5	12.5	78.5	117.0	13.3	11.5	40.1	SA206 x 30MM	OWFS206	1.0
OWFS206 x 1-1/8		1-1/8	5.57	1.0	0.49	3.09	4.61	0.52	0.45	1.58	SA206 x 1-1/8		
OWFS206 x 1-3/16		1-3/16									SA206 x 1-3/16		
OWFS206 x 1-1/4		1-1/4									SA206 x 1-1/4		
OWFS207 x 35MM	35		155.0	27	13	93	130	15.3	13.5	44.7	SA207 x 35MM	OWFS207	1.2
OWFS207 x 1-1/4		1-1/4	6.1	1.06	0.51	3.66	5.12	0.60	0.53	1.76	SA207 x 1-1/4		
OWFS207 x 1-3/8		1-3/8									SA207 x 1-3/8		
OWFS207 x 1-7/16		1-7/16									SA207 x 1-7/16		
OWFS208 x 40MM	40		171.5	31	13.0	105	144	16.7	13.5	49.3	SA208 x 40MM	OWFS208	1.4
OWFS208 x 1-1/2		1-1/2	6.75	1.22	0.51	4.13	5.67	0.66	0.53	1.94	SA208 x 1-1/2		
OWFS209 x 45MM	45		190	38	14.5	112	148.5	24	13.5	56.7	SA209 x 45MM	OWFS209	1.8
OWFS209 x 1-5/8		1-5/8	7.48	1.50	0.57	4.41	5.85	0.94	0.53	2.23	SA209 x 1-5/8		
OWFS209 x 1-11/16		1-11/16									SA209 x 1-11/16		
OWFS209 x 1-3/4		1-3/4									SA209 x 1-3/4		
OWFS210 x 50MM	50		198	33	16	119	157.0	19.3	13.5	52.0	SA210 x 50MM	OWFS210	2.1
OWFS210 x 1-7/8		1-7/8	7.80	1.3	0.63	4.69	6.18	0.76	0.53	2.05	SA210 x 1-7/8		
OWFS210 x 1-15/16		1-15/16									SA210 x 1-15/16		
OWFS210 x 2		2									SA210 x 2		

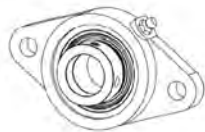
Note: Bearings with Set Screw locking are also available from stock.

# 2-Bolt Flange

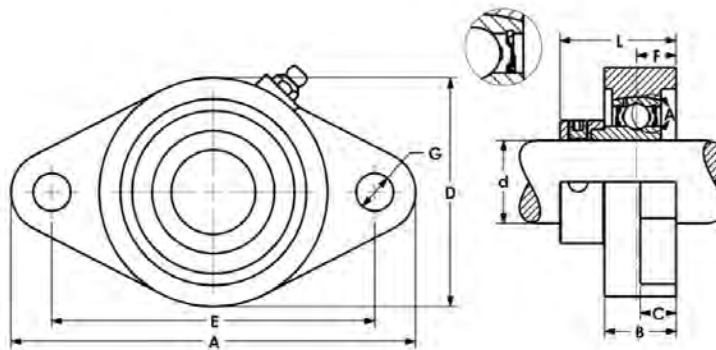


## OWFS 200 PTI Series

- Normal Duty Bearing
- Narrow Cast Iron Housing
- Eccentric Lock
- Metric and Inch Bores



Models Available



Part No.	Shaft Size d		Dimensions (mm) (in)								Bearing No.	Housing No.	Wt. kg
	mm	in	A	B	C	D	E	F	G	L			
OWFS204-20MM	20		112.0	20	9.5	62.5	90	11	11.5	35	SA204-20MM	OWFS204	0.5
OWFS204-12		3/4	4.41	0.79	0.37	2.46	3.54	0.43	0.45	1.38	SA204-12		
OWFS205-25MM	25		124.0	22	11	70	99	12.2	11.5	35.7	SA205-25MM	OWFS205	0.7
OWFS205-14		7/8	4.88	0.87	0.43	2.76	3.9	0.48	0.45	1.41	SA205-14		
OWFS205-15		15/16									SA205-15		
OWFS205-16		1									SA205-16		
OWFS206-30MM	30		141.5	25.5	12.5	78.5	117.0	13.3	11.5	41.0	SA206-30MM	OWFS206	1.0
OWFS206-18		1-1/8	5.57	1.0	0.49	3.09	4.61	0.52	0.45	1.61	SA206-18		
OWFS206-19		1-3/16									SA206-19		
OWFS206-20		1-1/4									SA206-20		
OWFS207-35MM	35		155.0	27	13	93	130	15.3	13.5	45.7	SA207-35MM	OWFS207	1.2
OWFS207-20		1-1/4	6.1	1.06	0.51	3.66	5.12	0.60	0.53	1.80	SA207-20		
OWFS207-22		1-3/8									SA207-22		
OWFS207-23		1-7/16									SA207-23		
OWFS208-40MM	40		171.5	31	13.0	105	144	16.7	13.5	51.3	SA208-40MM	OWFS208	1.4
OWFS208-24		1-1/2	6.75	1.22	0.51	4.13	5.67	0.66	0.53	2.02	SA208-24		
OWFS209-45MM	45		190	38	14.5	112	148.5	24	13.5	58.2	SA209-45MM	OWFS209	1.8
OWFS209-26		1-5/8	7.48	1.50	0.57	4.41	5.85	0.94	0.53	2.29	SA209-26		
OWFS209-27		1-11/16									SA209-27		
OWFS209-28		1-3/4									SA209-28		
OWFS210-50MM	50		198	33	16	119	157.0	19.3	13.5	53.0	SA210-50MM	OWFS210	2.1
OWFS210-30		1-7/8	7.80	1.3	0.63	4.69	6.18	0.76	0.53	2.09	SA210-30		
OWFS210-31		1-15/16									SA210-31		
OWFS210-32		2									SA210-32		

Note: Bearings with Set Screw locking are also available from stock.

# 2-Bolt Flange



## HCFJT 200 PTI Series

Normal Duty Bearing

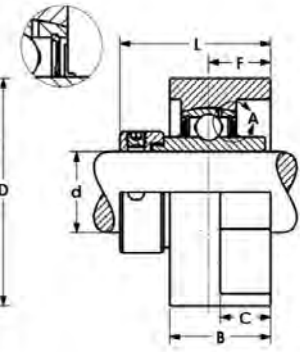
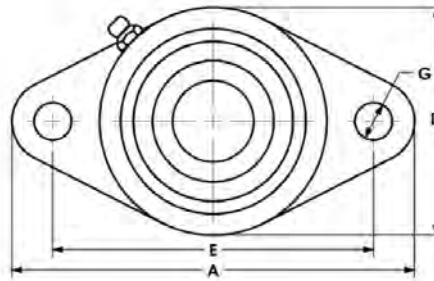
Cast Iron Housing

Eccentric Lock

Metric and Inch Bores



Models Available



Part No.	Shaft Size d		Dimensions (mm) (in)								Bearing No.	Housing No.	Wt. kg
	mm	in	A	B	C	D	E	F	G	L			
HCFJT201-12MM	12		99	28	11	60.3	76.2	19.05	10.7	42.45	HC201-12MM	FJT203	0.4
HCFJT202-15MM	15										HC202-15MM		
HCFJT203-17MM	17										HC203-17MM		
HCFJT201-8		1/2	3.9	1.10	0.43	2.37	3.00	0.75	0.42	1.67	HC201-8		
HCFJT202-10		5/8									HC202-10		
HCFJT203-11		11/16									HC203-11		
HCFJT204-20MM	20		112	29	14.5	60.3	89.7	19.05	10.7	45.65	HC204-20MM	FJT204	0.5
HCFJT204-12		3/4	4.41	1.14	0.57	2.37	3.53	0.75	0.42	1.80	HC204-12		
HCFJT205-25MM	25		124	31	15.5	70	98.8	19.05	11.5	45.95	HC205-25MM	FJT205	0.7
HCFJT205-14		7/8	4.88	1.22	0.61	2.75	3.90	0.75	0.45	1.81	HC205-14		
HCFJT205-15		15/16									HC205-15		
HCFJT205-16		1									HC205-16		
HCFJT206-30MM	30		141	34	16.5	83	116.7	20.64	11.5	50.74	HC206-30MM	FJT206	1.0
HCFJT206-18		1-1/8	5.55	1.34	0.65	3.27	4.59	0.81	0.45	2.00	HC206-18		
HCFJT206-19		1-3/16									HC206-19		
HCFJT206-20		1-1/4									HC206-20		
HCFJT207-35MM	35		156	36	16.5	95	130.2	21.62	13.1	53.92	HC207-35MM	FJT207	1.3
HCFJT207-20		1-1/4	6.14	1.42	0.65	3.74	5.125	0.85	0.52	2.11	HC207-20		
HCFJT207-22		1-3/8									HC207-22		
HCFJT207-23		1-7/16									HC207-23		
HCFJT208-40MM	40		171	37	16.5	105	143.7	23.81	13.1	58.71	HC208-40MM	FJT208	1.6
HCFJT208-24		1-1/2	6.73	1.46	0.65	4.13	5.66	0.94	0.52	2.31	HC208-24		
HCFJT209-45MM	45		179	40	16.5	111	148.4	23.81	13.1	58.71	HC209-45MM	FJT209	2.0
HCFJT209-26		1-5/8	7.05	1.57	0.65	4.37	5.84	0.94	0.52	2.31	HC209-26		
HCFJT209-27		1-11/16									HC209-27		
HCFJT209-28		1-3/4									HC209-28		
HCFJT210-50MM	50		189	45	20.4	116	157.2	23.81	17.1	66.68	HC210-50MM	FJT210	2.3
HCFJT210-30		1-7/8	7.44	1.77	0.80	4.56	6.19	0.94	0.67	2.63	HC210-30		
HCFJT210-31		1-15/16									HC210-31		
HCFJT210-32		2									HC210-32		
HCFJT211-55MM	55		216	48	20.4	133	184.1	28.58	17.1	75.35	HC211-55MM	FJT211	3.3
HCFJT211-32		2	8.50	1.89	0.80	5.24	7.25	1.13	0.67	2.97	HC211-32		
HCFJT211-34		2-1/8									HC211-34		
HCFJT211-35		2-3/16									HC211-35		

Note: Set Screw and Narrow Ring Eccentric Lock Inserts also available.



# 2-Bolt Flange

## CLFT 200 PTI Series

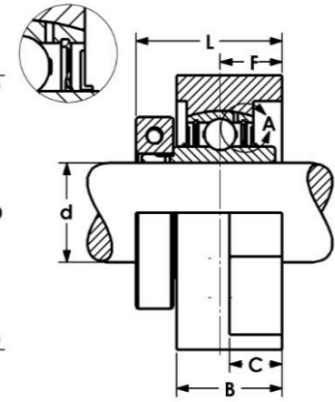
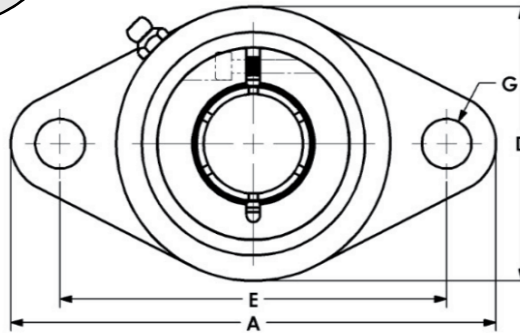
- Normal Duty Bearing
- Cast Iron Housing
- Concentric Locking Collar
- Metric and Inch Bores



The locking collar provides for a concentric fit to the shaft



Models Available



Part No.	Shaft Size d		Dimensions (mm) (in)								Bearing No.	Housing No.	Wt. kg
	mm	in	A	B	C	D	E	F	G	L			
CLFT204-20MM	20		112	24.6	11	60.3	89.2	14.3	10.3	34.1	CL204-20MM	FT204	0.5
CLFT204-12		3/4	4.41	0.97	0.43	2.37	3.51	0.56	0.41	1.34	CL204-12		
CLFT205-25MM	25		124	27	13.5	70	98.8	15.9	12.7	38.1	CL205-25MM	FT205	0.6
CLFT205-14		7/8	4.87	1.06	0.53	2.76	3.89	0.63	0.50	1.50	CL205-14		
CLFT205-15		15/16									CL205-15		
CLFT205-16		1									CL205-16		
CLFT206-30MM	30		141	30	13.5	83	116.7	17.9	12.7	41.7	CL206-30MM	FT206	0.8
CLFT206-18		1-1/8	5.55	1.18	0.53	3.27	4.59	0.70	0.50	1.64	CL206-18		
CLFT206-19		1-3/16									CL206-19		
CLFT206-20		1-1/4									CL206-20		
CLFT207-35MM	35		155	34	14.3	95	130	19.1	14	46.1	CL207-35MM	FT207	1.0
CLFT207-20		1-1/4	6.10	1.34	0.56	3.74	5.12	0.75	0.55	1.81	CL207-20		
CLFT207-22		1-3/8									CL207-22		
CLFT207-23		1-7/16									CL207-23		
CLFT208-40MM	40		171	38	14.3	105	143.7	21.0	14	52.8	CL208-40MM	FT208	1.2
CLFT208-24		1-1/2	6.73	1.50	0.56	4.13	5.66	0.83	0.55	2.08	CL208-24		
CLFT209-45MM	45		179	40	14.3	111	148.4	21.8	16	53.6	CL209-45MM	FT209	1.4
CLFT209-26		1-5/8	7.05	1.57	0.56	4.37	5.84	0.86	0.63	2.11	CL209-26		
CLFT209-27		1-11/16									CL209-27		
CLFT209-28		1-3/4									CL209-28		
CLFT210-50MM	50		189	40	14.3	116	157	22.2	16	56.3	CL210-50MM	FT210	1.8
CLFT210-31		1-15/16	7.44	1.57	0.56	4.57	6.18	0.87	0.63	2.22	CL210-31		
CLFT210-32		2									CL210-32		
CLFT211-55MM	55		216	44	20.6	133	184	25.4	18	60.3	CL211-55MM	FT211	2.3
CLFT211-32		2	8.50	1.73	0.81	5.24	7.24	1.00	0.71	237	CL211-32		
CLFT211-34		2-1/8									CL211-34		
CLFT211-35		2-3/16									CL211-35		

Note: Other sizes available on request.

# 2-Bolt Flange



## CLFL 200 PTI Series

Normal Duty Bearing

Cast Iron Housing

Concentric Locking Collar

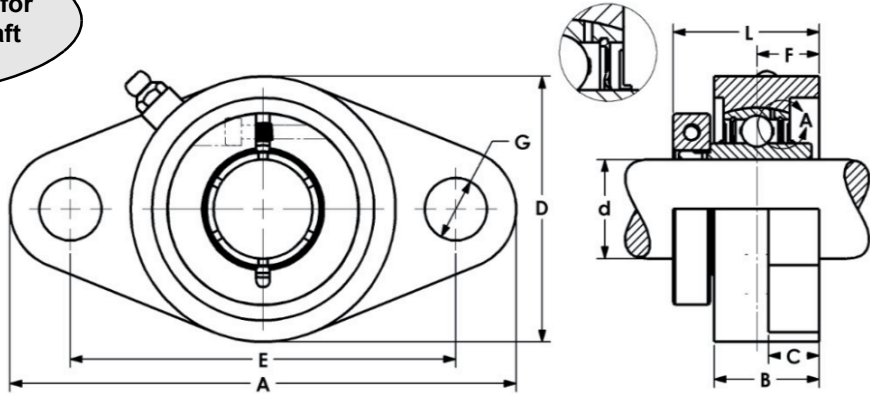
Metric and Inch Bores



The locking collar provides for a concentric fit to the shaft



Models Available



Part No.	Shaft Size d		Dimensions (mm) (in)								Bearing No.	Housing No.	Wt. kg
	mm	in	A	B	C	D	E	F	G	L			
CLFL204-20MM CLFL204-12	20	3/4	113 4.45	25.5 1.00	11 0.43	60 2.36	90 3.54	15 0.59	12 0.47	34.8 1.37	CL204-20MM CL204-12	FL204	0.4
CLFL205-25MM CLFL205-14 CLFL205-15 CLFL205-16	25	7/8 15/16 1	130 5.12	27 1.06	13 0.51	68 2.68	99 3.90	16 0.63	16 0.63	38.2 1.50	CL205-25MM CL205-14 CL205-15 CL205-16	FL205	0.6
CLFL206-30MM CLFL206-18 CLFL206-19 CLFL206-20	30	1-1/8 1-3/16 1-1/4	148 5.83	31 1.22	13 0.51	80 3.15	117 4.61	18 0.71	16 0.63	41.8 1.65	CL206-30MM CL206-18 CL206-19 CL206-20	FL206	0.8
CLFL207-35MM CLFL207-20 CLFL207-22 CLFL207-23	35	1-1/4 1-3/8 1-7/16	161 6.34	34 1.34	15 0.59	90 3.54	130 5.12	19 0.75	16 0.63	46.0 1.81	CL207-35MM CL207-20 CL207-22 CL207-23	FL207	0.9
CLFL208-40MM CLFL208-24	40	1-1/2	175 6.89	36 1.42	15 0.59	100 3.94	144 5.67	21 0.83	16 0.63	52.8 2.08	CL208-40MM CL208-24	FL208	1.0
CLFL209-45MM CLFL209-26 CLFL209-27 CLFL209-28	45	1-5/8 1-11/16 1-3/4	188 7.40	38 1.50	16 0.63	108 4.25	148 5.83	22 0.87	19 0.75	53.8 2.12	CL209-45MM CL209-26 CL209-27 CL209-28	FL209	1.3
CLFL210-50MM CLFL210-31 CLFL210-32	50	1-15/16 2	197 7.76	40 1.58	16 0.63	115 4.53	157 6.18	22 0.87	19 0.75	56.1 2.21	CL210-50MM CL210-31 CL210-32	FL210	1.6
CLFL211-55MM CLFL211-32 CLFL211-34 CLFL211-35	55	2 2-1/8 2-3/16	224 8.82	43 1.69	18 0.71	130 5.12	184 7.24	25 0.98	19 0.75	59.9 2.36	CL211-55MM CL211-32 CL211-34 CL211-35	FL211	2.2
CLFL212-60MM CLFL212-36 CLFL212-38 CLFL212-39	60	2-1/4 2-3/8 2-7/16	250 9.84	48 1.89	18 0.71	140 5.51	202 7.95	29 1.14	23 0.91	70.3 2.77	CL212-60MM CL212-36 CL212-38 CL212-39	FL212	3.3

Note: Other sizes available on request.

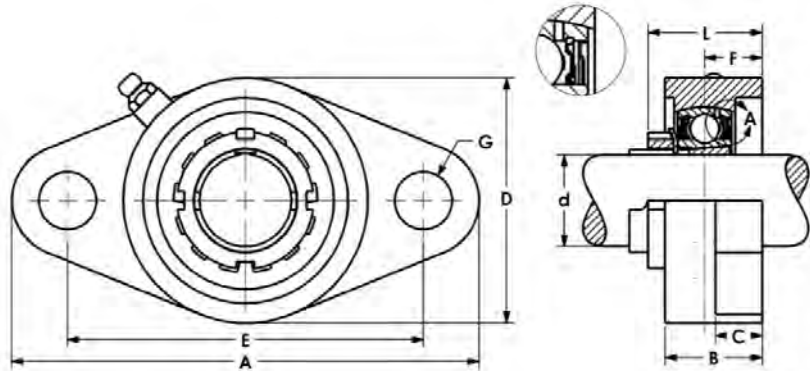
# 2-Bolt Flange

## GSHFL 200 PTI Series

Thin Adapter Lock  
Normal Duty Bearing  
Cast Iron Housing  
Metric and Inch Bores



Models Available



Part No.	Shaft Size d		Dimensions (mm) (in)								Bearing No.	Adapter No.	Housing No.	Wt. kg
	mm	in	A	B	C	D	E	F	G	L				
GSHFL204-20MM GSHFL204-12	20	3/4	113 4.45	25.5 1.00	11 0.43	60 2.36	90 3.54	15 0.59	12 0.47	33.9 1.33	GSH204	H204GSH-20MM H204GSH-12	FL204	0.5
GSHFL205-25MM GSHFL205-15 GSHFL205-16	25	15/16 1	130 5.12	27 1.06	13 0.51	68 2.68	99 3.90	16 0.63	16 0.63	33.0 1.30	GSH205	H205GSH-25MM H205GSH-15 H205GSH-16	FL205	0.7
GSHFL206-30MM GSHFL206-19	30	1-3/16	148 5.83	31 1.22	13 0.51	80 3.15	117 4.61	18 0.71	16 0.63	40.7 1.60	GSH206	H206GSH-30MM H206GSH-19	FL206	1.0
GSHFL207-35MM GSHFL207-20 GSHFL207-22	35	1-1/4 1-3/8	161 6.34	34 1.34	15 0.59	90 3.54	130 5.12	19 0.75	16 0.63	43.6 1.72	GSH207	H207GSH-35MM H207GSH-20 H207GSH-22	FL207	1.3
GSHFL208-40MM GSHFL208-24	40	1-1/2	175 6.89	36 1.42	15 0.59	100 3.94	144 5.67	21 0.83	16 0.63	48.9 1.93	GSH208	H208GSH-40MM H208GSH-24	FL208	1.6
GSHFL209-45MM GSHFL209-28	45	1-3/4	188 7.40	38 1.50	16 0.63	108 4.25	148 5.83	22 0.87	19 0.75	49.6 1.95	GSH209	H209GSH-45MM H209GSH-28	FL209	2.0
GSHFL210-50MM GSHFL210-31 GSHFL210-32	50	1-15/16 2	197 7.76	40 1.58	16 0.63	115 4.53	157 6.18	22 0.87	19 0.75	48.4 1.91	GSH210	H210GSH-50MM H210GSH-31 H210GSH-32	FL210	2.3

# 2-Bolt Flange

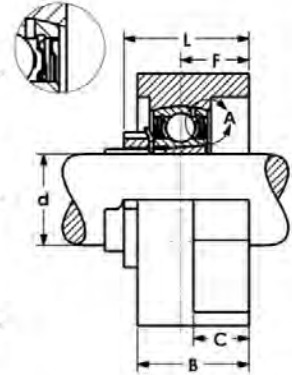
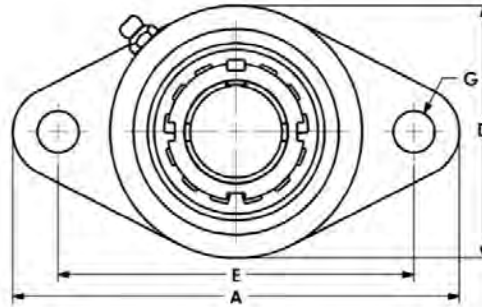


## GSHFJT 200 PTI Series

Thin Adapter Lock  
Normal Duty Bearing  
Cast Iron Housing  
Metric and Inch Bores



Models Available



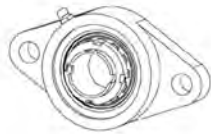
Part No.	Shaft Size d		Dimensions (mm) (in)								Bearing No.	Adapter No.	Housing No.	Wt. kg
	mm	in	A	B	C	D	E	F	G	L				
GSHFJT204-20MM	20		112	29	14.5	60.3	89.7	19.05	10.7	37.9	GSH204	H204GSH-20MM	FJT204	0.5
GSHFJT204-12		3/4	4.41	1.14	.57	2.37	3.53	0.75	0.42	1.49		H204GSH-12		
GSHFJT205-25MM	25		124	31	15.5	70	98.8	19.05	11.5	36.1	GSH205	H205GSH-25MM	FJT205	0.7
GSHFJT205-15		15/16	4.88	1.22	0.61	2.75	3.89	0.75	0.45	1.42		H205GSH-15		
GSHFJT205-16		1										H205GSH-16		
GSHFJT206-30MM	30		141	34	16.5	83	116.7	20.64	11.5	43.3	GSH206	H206GSH-30MM	FJT206	1.0
GSHFJT206-19		1-3/16	5.55	1.34	0.65	3.27	4.59	0.81	0.45	1.71		H206GSH-19		
GSHFJT207-35MM	35		156	36	16.5	95	130.2	21.62	13.1	46.2	GSH207	H207GSH-35MM	FJT207	1.3
GSHFJT207-20		1-1/4	6.14	1.42	0.65	3.74	5.13	0.85	0.52	1.82		H207GSH-20		
GSHFJT207-22		1-3/8										H207GSH-22		
GSHFJT208-40MM	40		171	37	16.5	105	143.7	23.81	13.1	51.7	GSH208	H208GSH-40MM	FJT208	1.6
GSHFJT208-24		1-1/2	6.73	1.46	0.65	4.13	5.66	0.94	0.52	2.03		H208GSH-24		
GSHFJT209-45MM	45		179	40	16.5	111	148.4	23.81	17.1	51.4	GSH209	H209GSH-45MM	FJT209	2.0
GSHFJT209-28		1-3/4	7.05	1.57	0.65	4.37	5.84	0.94	0.67	2.02		H209GSH-28		
GSHFJT210-50MM	50		189	45	20.4	116	157.2	23.81	17.1	50.2	GSH210	H210GSH-50MM	FJT210	2.3
GSHFJT210-31		1-15/16	7.44	1.77	0.80	4.56	6.19	0.94	0.67	1.98		H210GSH-31		
GSHFJT210-32		2										H210GSH-32		

# 2-Bolt Flange

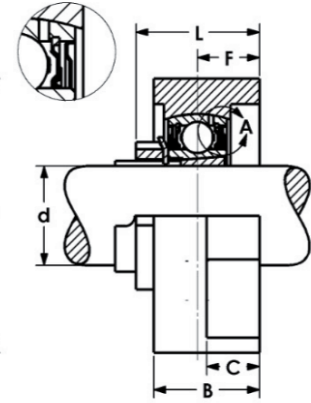
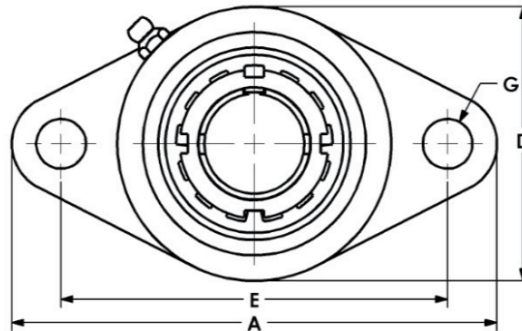


## GSHFT 200 PTI Series

- Thin Adapter Lock
- Normal Duty Bearing
- Cast Iron Housing
- Metric and Inch Bores



Models Available



Part No.	Shaft Size d		Dimensions (mm) (in)								Bearing No.	Adapter No.	Housing No.	Wt. kg
	mm	in	A	B	C	D	E	F	G	L				
GSHFT204-20MM GSHFT204-12	20	3/4	112.0 4.41	24.6 0.97	11 0.44	60.3 2.38	89.2 3.51	14.29 0.56	10.3 0.4	33.1 1.30	GSH204	H204GSH-20MM H204GSH-12	FT204	0.6
GSHFT205-25MM GSHFT205-15 GSHFT205-16	25	15/16 1	124.0 4.87	27 1.06	13.5 0.53	70 2.75	98.8 3.89	15.87 0.63	12.7 0.50	32.9 1.30	GSH205	H205GSH-25MM H205GSH-15 H205GSH-16	FT205	0.7
GSHFT206-30MM GSHFT206-19	30	1-3/16	141 5.56	30 1.19	13.5 0.53	83 3.27	116.7 4.59	17.86 0.70	12.7 0.5	40.6 1.60	GSH206	H206GSH-30MM H206GSH-19	FT206	1.0
GSHFT207-35MM GSHFT207-20 GSHFT207-22	35	1-1/4 1-3/8	155 6.10	34 1.34	14.3 0.56	95 3.75	130 5.12	19.05 0.75	14 0.55	43.7 1.72	GSH207	H207GSH-35MM H207GSH-20 H207GSH-22	FT207	1.4
GSHFT208-40MM GSHFT208-24	40	1-1/2	171 6.73	38 1.5	14.3 0.56	105 4.13	143.7 5.65	21.03 0.83	14 0.55	48.9 1.92	GSH208	H208GSH-40MM H208GSH-24	FT208	1.8
GSHFT209-45MM GSHFT209-28	45	1-3/4	179 7.05	40 1.56	14.3 0.56	111 4.38	148.4 5.84	21.83 0.86	16 0.63	49.4 1.94	GSH209	H209GSH-45MM H209GSH-28	FT209	2.0
GSHFT210-50MM GSHFT210-31 GSHFT210-32	50	1-15/16 2	189 7.44	40 1.56	14.3 0.56	116 4.56	157 6.19	22.22 0.88	16 0.63	48.6 1.91	GSH210	H210GSH-50MM H210GSH-31 H210GSH-32	FT210	2.1

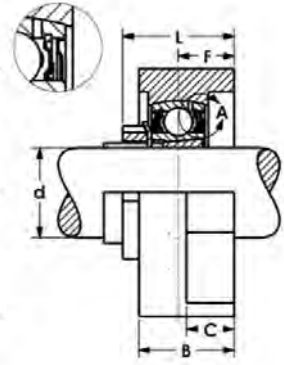
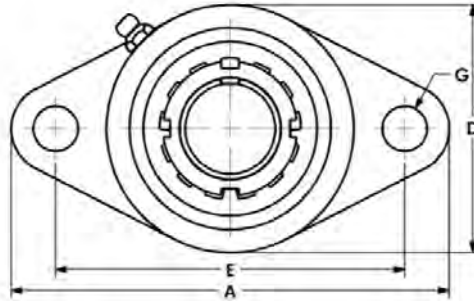
# 2-Bolt Flange

## UKFT 200 PTI Series

Normal Duty Bearing  
Cast Iron Housing  
Adapter Sleeve Lock  
Metric and Inch Bores



Models Available



Part No.	Shaft Size d		Dimensions (mm) (in)									Bearing No.	Adapter Sleeve No.	Housing No.	Wt. kg
	mm	in	A	B	C	D	E	F	G	J	L				
UKFT205-20MM	20		124	27	13.5	70	98.8	15.9	12.7	35.5	35	UK205	H305 x 20MM H305 x 3/4	FT205	0.7
UKFT205-12		3/4	4.88	1.06	0.53	2.76	3.89	0.63	0.50	1.40	1.38				
UKFT206-25MM	25		141	30	13.5	83	116.7	17.86	12.7	39	38	UK206	H306 x 25MM H306 x 7/8 H306 x 15/16 H306 x 1	FT206	1.0
UKFT206-14		7/8	5.55	1.18	0.53	3.27	4.59	0.70	0.50	1.54	1.50				
UKFT206-15		15/16													
UKFT206-16		1													
UKFT207-30MM	30		155	34	14.3	95	130	19	14	41.5	43	UK207	H307 x 30MM H307 x 1-3/16	FT207	1.4
UKFT207-19		1-3/16	6.10	1.34	0.56	3.74	5.12	0.75	0.55	1.63	1.69				
UKFT208-35MM	35		171	38	14.3	105	143.7	21	14	45.5	46	UK208	H308 x 35MM H308 x 1-1/4 H308 x 1-3/8	FT208	1.8
UKFT208-20		1-1/4	6.73	1.50	0.56	4.13	5.66	0.83	0.55	1.79	1.81				
UKFT208-22		1-3/8													
UKFT209-40MM	40		179	40	14.3	111	148.4	21.8	16	48	50	UK209	H309 x 40MM H309 x 1-7/16 H309 x 1-1/2 H309 x 1-5/8	FT209	2.0
UKFT209-23		1-7/16	7.05	1.57	0.56	4.37	5.84	0.86	0.63	1.89	1.97				
UKFT209-24		1-1/2													
UKFT209-26		1-5/8													
UKFT210-45MM	45		189	40	14.3	116	157	22.2	16	49.5	55	UK210	H310 x 45MM H310 x 1-11/16 H310 x 1-3/4	FT210	2.1
UKFT210-27		1-11/16	7.44	1.57	0.56	4.57	6.18	0.87	0.63	1.95	2.17				
UKFT210-28		1-3/4													
UKFT211-50MM	50		216	44	20.6	133	184	25.4	18	53.5	59	UK211	H311 x 50MM H311 x 1-7/8 H311 x 1-15/16 H311 x 2	FT211	3.2
UKFT211-30		1-7/8	8.50	1.73	0.81	5.24	7.24	1.00	0.71	2.11	2.32				
UKFT211-31		1-15/16													
UKFT211-32		2													

Note: Other housings can also be used with the adapter mounted bearing. Shorter length through bore sizes available using H300 or SNW series adapters.

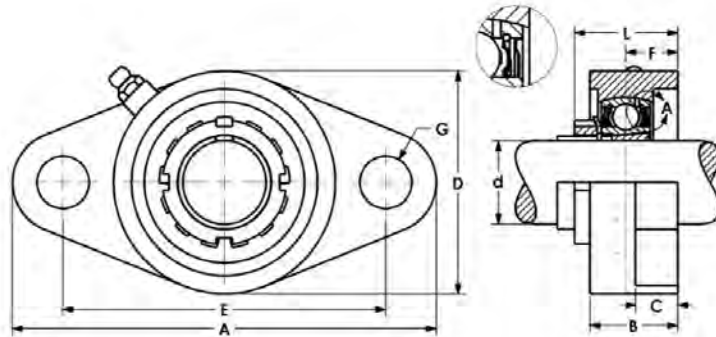
# 2-Bolt Flange

## UKFL 200 PTI Series

Normal Duty Bearing  
Cast Iron Housing  
Adapter Sleeve Lock  
Metric and Inch Bores



Models Available



Part No.	Shaft Size d		Dimensions (mm) (in)									Bearing No.	Adapter Sleeve No.	Housing No.	Wt. kg
	mm	in	A	B	C	D	E	F	G	J	L				
UKFL205-20MM UKFL205-12	20 3/4		130 5.12	27 1.06	13 0.51	68 2.68	99 3.90	16 0.63	16 0.63	35.5 1.40	35 1.38	UK205	H305 x 20MM H305 x 3/4	FL205	0.7
UKFL206-25MM UKFL206-14 UKFL206-15 UKFL206-16	25 7/8 15/16 1		148 5.83	31 1.22	13 0.51	80 3.15	117 4.61	18 0.71	16 0.63	39 1.54	38 1.50	UK206	H306 x 30MM H306 x 7/8 H306 x 15/16 H306 x 1	FL206	1.0
UKFL207-30MM UKFL207-19	30 1-3/16		161 6.34	34 1.34	15 0.59	90 3.54	130 5.12	19 0.75	16 0.63	41.5 1.63	43 1.69	UK207	H307 x 30MM H307 x 1-3/16	FL207	1.3
UKFL208-35MM UKFL208-20 UKFL208-22	35 1-1/4 1-3/8		175 6.89	36 1.42	15 0.59	100 3.94	144 5.67	21 0.83	16 0.63	45.5 1.79	46 1.81	UK208	H308 x 40MM H308 x 1-1/4 H308 x 1-3/8	FL208	1.6
UKFL209-40MM UKFL209-23 UKFL209-24	40 1-7/16 1-1/2		188 7.40	38 1.50	16 0.63	108 4.25	148 5.83	22 0.87	19 0.75	48 1.89	50 1.97	UK209	H309 x 40MM H309 x 17/16 H309 x 1-1/2	FL209	2.0
UKFL210-45MM UKFL210-27 UKFL210-28	45 1-11/16 1-3/4		197 7.76	40 1.58	16 0.63	115 4.53	157 6.18	22 0.87	19 0.75	49.5 1.95	55 2.17	UK210	H310 x 45MM H310 x 1-11/16 H310 x 1-3/4	FL210	2.3
UKFL211-50MM UKFL211-30 UKFL211-31 UKFL211-32	50 1-7/8 1-15/16 2		224 8.82	43 1.69	18 0.71	130 5.12	184 7.24	25 0.98	19 0.75	53.5 2.11	59 2.32	UK211	H311 x 50MM H311 x 1-7/8 H311 x 1-15/16 H311 x 2	FL211	3.3
UKFL212-55MM —	55 —		250 9.84	48 1.89	18 0.71	140 5.51	202 7.95	29 1.14	23 0.91	60 2.36	62 2.44	UK212	H312 x 55MM	FL212	4.2
UKFL213-60MM UKFL213-35 UKFL213-36 UKFL213-38	60 2-3/16 2-1/4 2-3/8		258 10.16	50 1.97	22 0.87	153 6.02	210 8.27	30 1.18	23 0.91	63 2.48	65 2.56	UK213	H313 x 60MM H313 x 2-3/16 H313 x 2-1/4 H313 x 2-3/8	FL213	5.18
UKFL215-65MM UKFL215-39 UKFL215-40	65 2-7/16 2-1/2		275 10.83	56 2.20	22 0.87	162 6.38	225 8.86	34 1.34	23 0.91	69.5 2.74	73 2.87	UK215	H315 x 65MM H315 x 2-7/16 H315 x 2-1/2	FL215	6.14

Note: Other housings can also be used with the adapter mounted bearing. Shorter length through bore sizes available using H300 or SNW series adapters.

# 2-Bolt Flange



## OWFK 200 Euro Series

Normal Duty Bearing

Cast Iron Housing

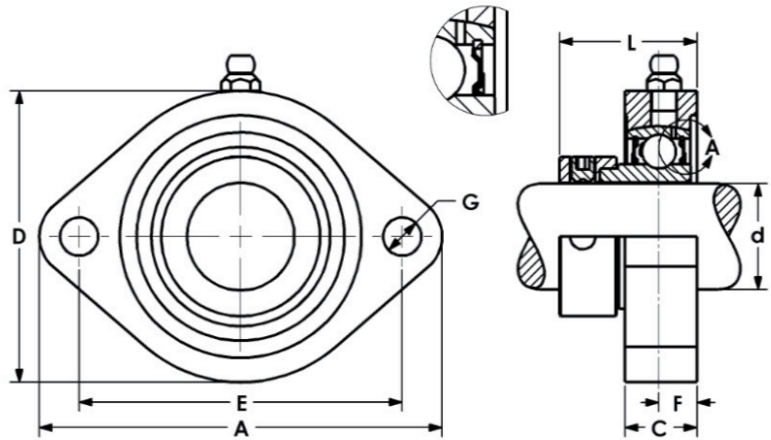
Eccentric Collar Lock

Compact Housing

Metric and Inch Bores



Models Available



Part No.	Shaft Size d		Dimensions (mm) (in)							Bearing No.	Housing No.	Wt. kg
	mm	in	A	C	D	E	F	G	L			
OWFK201 x 12MM	12		81	15	59	63.5	7.5	7	29.6	SA201 x 12MM	OWFK203	0.3
OWFK202 x 15MM	15									SA202 x 15MM		
OWFK203 x 17MM	17									SA203 x 17MM		
OWFK201 x 1/2		1/2	3.19	0.59	2.32	2.50	0.30	0.28	1.17	SA201 x 1/2	OWFK203	0.3
OWFK202 x 5/8		5/8								SA202 x 5/8		
OWFK203 x 11/16		11/16								SA203 x 11/16		
OWFK204 x 20MM	20		90.5	16	66.5	71.4	9.5	9	33	SA204 x 20MM	OWFK204	0.4
OWFK204 x 3/4		3/4	3.56	0.63	2.62	2.81	0.37	0.35	1.30	SA204 x 3/4		
OWFK205 x 25MM	25		95	17	71	76.2	9	9	32.5	SA205 x 25MM	OWFK205	0.5
OWFK205 x 7/8		7/8	3.74	0.67	2.80	3.00	0.35	0.35	1.28	SA205 x 7/8		
OWFK205 x 15/16		15/16								SA205 x 15/16		
OWFK205 x 1		1								SA205 x 1		
OWFK206 x 30MM	30		112.5	20	84	90.5	9.5	11.5	36.2	SA206 x 30MM	OWFK206	1.0
OWFK206 x 1-1/8		1-1/8	4.43	0.79	3.31	3.56	0.37	0.45	1.43	SA206 x 1-1/8		
OWFK206 x 1-3/16		1-3/16								SA206 x 1-3/16		
OWFK206 x 1-1/4		1-1/4								SA206 x 1-1/4		
OWFK207 x 35MM	35		125	22	94	100	10	11.5	39.4	SA207 x 35MM	OWFK207	1.2
OWFK207 x 1-1/4		1-1/4	4.92	0.87	3.70	3.94	0.39	0.45	1.55	SA207 x 1-1/4		
OWFK207 x 1-3/8		1-3/8								SA207 x 1-3/8		
OWFK207 x 1-7/16		1-7/16								SA207 x 1-7/16		
OWFK208 x 40MM	40		148	25	104	119	12.5	14	45.2	SA208 x 40MM	OWFK208	1.3
OWFK208 x 1-1/2		1-1/2	5.83	0.98	4.09	4.69	0.49	0.55	1.78	SA208 x 1-1/2		

Note: Set Screw Inserts also available from stock.



# 2-Bolt Flange Units



## OWFK 200 PTI Series

Normal Duty Bearing

Cast Iron Housing

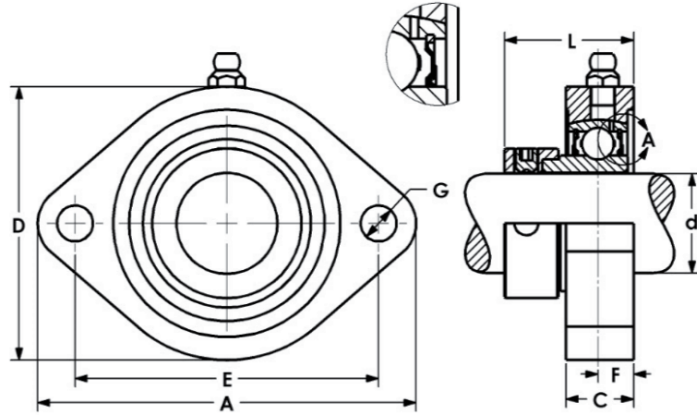
Eccentric Collar Lock

Compact Housing

Metric and Inch Bores



Models Available



Part No.	Shaft Size d		Dimensions (mm) (in)							Bearing No.	Housing No.	Wt. kg
	mm	in	A	C	D	E	F	G	L			
OWFK201-12MM	12		81	15	59	63.5	7.5	7	29.6	SA201-12MM	OWFK203	0.3
OWFK202-15MM	15											
OWFK203-17MM	17											
OWFK201-8		1/2										
OWFK202-10		5/8										
OWFK203-11		11/16										
OWFK204-20MM	20		90.5	16	66.5	71.4	9.5	9	33	SA204-20MM	OWFK204	0.4
OWFK204-12		3/4										
OWFK205-25MM	25		95	17	71	76.2	9	9	32.5	SA205-25MM	OWFK205	0.5
OWFK205-14		7/8										
OWFK205-15		15/16										
OWFK205-16		1										
OWFK206-30MM	30		112.5	20	84	90.5	9.5	11.5	36.2	SA206-30MM	OWFK206	1.0
OWFK206-18		1-1/8										
OWFK206-19		1-3/16										
OWFK206-20		1-1/4										
OWFK207-35MM	35		125	22	94	100	10	11.5	39.4	SA207-35MM	OWFK207	1.2
OWFK207-20		1-1/4										
OWFK207-22		1-3/8										
OWFK207-23		1-7/16										
OWFK208-40MM	40		148	25	104	119	12.5	14	45.2	SA208-40MM	OWFK208	1.3
OWFK208-24		1-1/2										

Note: Set Screw Inserts also available from stock.

# 2-Bolt Flange



## LF 200 Euro Series

Normal Duty Bearing, Narrow Profile

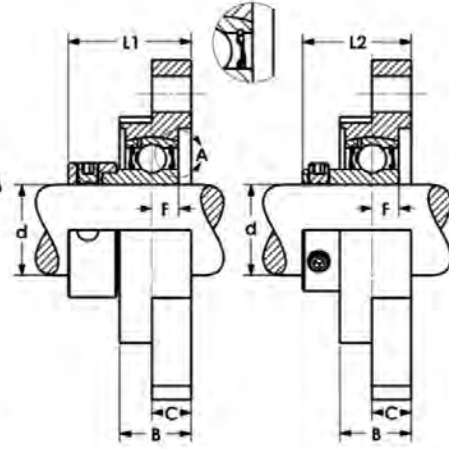
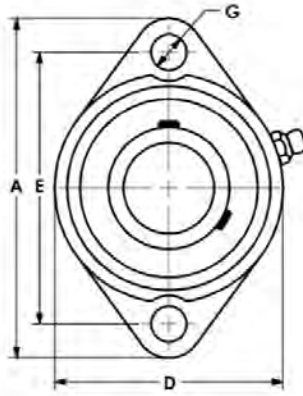
Compact Cast Iron Housing

Set Screw and Eccentric Lock

Metric and Inch Bores



Models Available



Eccentric Lock  
SA Bearing

Set Screw Lock  
SB Bearing

Part No.		Shaft Size d		Dimensions (mm) (in)								Bearing No.		Housing No.	Wt. kg	
Eccentric	Set Screw	mm	in	A	B	C	D	E	F	G	L1	L2	Eccentric			Set Screw
LF201 x 12MM	LF201 x 12SMM	12		81.0	18.0	9.5	56	63.5	9.5	8	25.5	31.6	SA201 x 12MM	SB201 x 12MM	LF203	0.7
LF202 x 15MM	LF202 x 15SMM	15											SA202 x 15MM	SB202 x 15MM		
LF203 x 17MM	LF203 x 17SMM	17											SA203 x 17MM	SB203 x 17MM		
LF201 x 1/2	LF201 x 1/2S	1/2	3.19	0.71	0.37	2.20	2.50	0.37	0.31	1.00	1.24	SA201 x 1/2	SB201 x 1/2	LF203	0.7	
LF202 x 5/8	LF202 x 5/8S	5/8											SA202 x 5/8			SB202 x 5/8
LF203 x 11/16	LF203 x 11/16S	11/16											SA203 x 11/16			SB203 x 11/16
LF204 x 20MM	LF204 x 20SMM	20		90	20	11	61	71.4	11	10	29	34.5	SA204 x 20MM	SB204 x 20MM	LF204	0.8
LF204 x 3/4	LF204 x 3/4S	3/4	3.54	0.79	0.43	2.4	2.81	0.43	0.39	1.14	1.36	SA204 x 3/4	SB204 x 3/4			
LF205 x 25MM	LF205 x 25SMM	25		95	20	11	64	76	11	10	30.5	34.5	SA205 x 25MM	SB205 x 25MM	LF205	1.0
LF205 x 7/8	LF205 x 7/8S	7/8	3.74	0.79	0.43	2.52	2.99	0.43	0.39	1.20	1.36	SA205 x 7/8	SB205 x 7/8			
LF205 x 15/16	LF205 x 15/16S	15/16											SA205 x 15/16	SB205 x 15/16		
LF205 x 1	LF205 x 1S	1											SA205 x 1	SB205 x 1		
LF206 x 30MM	LF206 x 30SMM	30		113	22	12	76	90.5	12	12	33	38.7	SA206 x 30MM	SB206 x 30MM	LF206	1.4
LF206 x 1-1/8	LF206 x 1-1/8S	1-1/8	4.45	0.87	0.47	2.99	3.56	0.47	0.47	1.30	1.52	SA206 x 1-1/8	SB206 x 1-1/8			
LF206 x 1-3/16	LF206 x 1-3/16S	1-3/16											SA206 x 1-3/16	SB206 x 1-3/16		
LF206 x 1-1/4	LF206 x 1-1/4S	1-1/4											SA206 x 1-1/4	SB206 x 1-1/4		
LF207 x 35MM	LF207 x 35SMM	35		122	24	13	89	100	13	12	38.4	42.4	SA207 x 35MM	SB207 x 35MM	LF207	2.0
LF207 x 1-1/4	LF207 x 1-1/4S	1-1/4	4.80	0.94	0.51	3.50	3.94	0.51	0.47	1.51	1.67	SA207 x 1-1/4	SB207 x 1-1/4			
LF207 x 1-3/8	LF207 x 1-3/8S	1-3/8											SA207 x 1-3/8	SB207 x 1-3/8		
LF207 x 1-7/16	LF207 x 1-7/16S	1-7/16											SA207 x 1-7/16	SB207 x 1-7/16		

Note: Adapter Lock Inserts also available from stock.

# 2-Bolt Flange

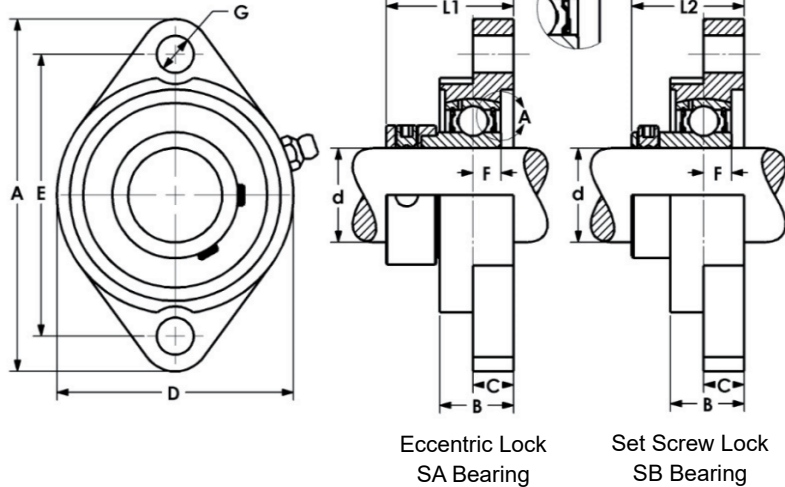


## LF 200 PTI Series

Normal Duty Bearing, Narrow Profile  
Compact Cast Iron Housing  
Set Screw and Eccentric Lock  
Metric and Inch Bores



Models Available



Eccentric Lock  
SA Bearing

Set Screw Lock  
SB Bearing

Part No.		Shaft Size d		Dimensions (mm) (in)								Bearing No.		Housing No.	Wt. kg	
Eccentric	Set Screw	mm	in	A	B	C	D	E	F	G	L1	L2	Eccentric			Set Screw
LF201-12MM	LF201-12SMM	12		81	18.	9.5	56	63.5	9.5	8	25.5	31.6	SA201-12MM	SB201-12MM	LF203	0.7
LF202-15MM	LF202-15SMM	15											SA202-15MM	SB202-15MM		
LF203-17MM	LF203-17SMM	17											SA203-17MM	SB203-17MM		
LF201-8	LF201-8S		1/2	3.19	0.71	0.37	2.20	2.50	0.37	.31	1.00	1.24	SA201-8	SB201-8	LF203	0.7
LF202-10	LF202-10S		5/8										SA202-10	SB202-10		
LF203-11	LF203-11S		11/16										SA203-11	SB203-11		
LF204-20MM	LF204-20SMM	20		90	20	11	61	71.4	11	10	29	34.5	SA204-20MM	SB204-20MM	LF204	0.8
LF204-12	LF204-12S		3/4	3.54	0.79	0.43	2.4	2.81	0.43	0.39	1.14	1.36	SA204-12	SB204-12		
LF205-25MM	LF205-25SMM	25		95	20	11	64	76	11	10	30.5	34.5	SA205-25MM	SB205-25MM	LF205	1.0
LF205-14	LF205-14S		7/8	3.74	0.79	0.43	2.52	2.99	0.43	0.39	1.20	1.36	SA205-14	SB205-14		
LF205-15	LF205-15S		15/16										SA205-15	SB205-15		
LF205-16	LF205-16S		1										SA205-16	SB205-16		
LF206-30MM	LF206-30SMM	30		113	22	12	76	90.5	12	12	33	38.7	SA206-30MM	SB206-30MM	LF206	1.4
—	LF206-17S		1-1/16	4.45	0.87	0.47	2.99	3.56	0.47	0.47	1.30	1.52	—	SB206-17		
LF206-18	LF206-18S		1-1/8										SA206-18	SB206-18		
LF206-19	LF206-19S		1-3/16										SA206-19	SB206-19		
LF206-20	LF206-20S		1-1/4										SA206-20	SB206-20		
LF207-35MM	LF207-35SMM	35		122	24	13	89	100.0	13	12	38.4	42.4	SA207-35MM	SB207-35MM	LF207	2.0
LF207-20	LF207-20S		1-1/4	4.80	0.94	0.51	3.50	3.94	0.51	0.47	1.51	1.67	SA207-20	SB207-20		
LF207-22	LF207-22S		1-3/8										SA207-22	SB207-22		
LF207-23	LF207-23S		1-7/16										SA207-23	SB207-23		

Note: Adapter Lock Inserts also available from stock.

# Ductile 2-Bolt Flange



## FX 200 Euro Series

Normal Duty Bearing, Narrow Profile

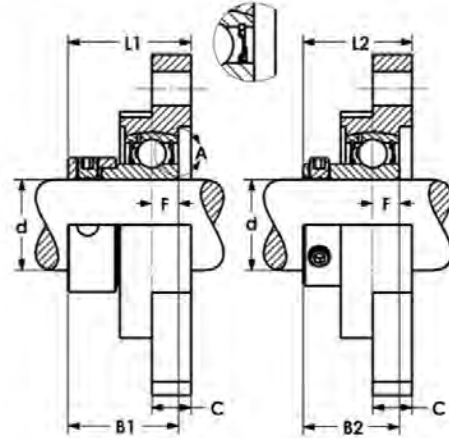
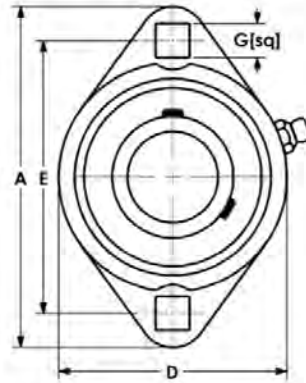
Compact Ductile Iron Housing, Square Holes

Set Screw and Eccentric Lock

Metric and Inch Bores



Models Available



Eccentric Lock  
SA Bearing

Set Screw Lock  
SB Bearing

Part No.		Shaft Size d		Dimensions (mm) (in)										Bearing No.		Housing No.	Wt. kg
Eccentric	Set Screw	mm	in	A	B <sub>1</sub>	B <sub>2</sub>	C	D	E	F	G	L <sub>1</sub>	L <sub>2</sub>	Eccentric	Set Screw		
FX201 x 12MM	FX201 x 12SMM	12		81	28.6	22	10.3	56	63.5	10	7.1	32.6	26	SA201 x 12MM	SB202 x 12MM	FX203	0.3
FX202 x 15MM	FX202 x 15SMM	15												SA202 x 15MM	SB202 x 15MM		
FX203 x 17MM	FX203 x 17SMM	17												SA203 x 17MM	SB203 x 17MM		
FX201 x 1/2	FX201 x 1/2S		1/2	3.19	1.13	0.87	0.4	2.20	2.500	0.39	0.28	1.28	1.02	SA201 x 1/2	SB201 x 1/2	FX203	0.3
FX202 x 5/8	FX202 x 5/8S		5/8											SA202 x 5/8	SB202 x 5/8		
FX203 x 11/16	FX203 x 11/16S		11/16											SA203 x 11/16	SB203 x 11/16		
FX204 x 20MM	FX204 x 20SMM	20		90.5	31	25	11	61	71.4	11.1	9	35.1	29.1	SA204 x 20MM	SB204 x 20MM	FX204	0.3
FX204 x 3/4	FX204 x 3/4S		3/4	3.56	1.22	0.98	0.43	2.40	2.813	0.44	0.35	1.38	1.15	SA204 x 3/4	SB204 x 3/4		
FX205 x 25MM	FX205 x 25SMM	25		95.3	31	27	11	64	76.3	11.1	9.5	34.6	30.6	SA205 x 25MM	SB205 x 25MM	FX205	0.4
FX205 x 7/8	FX205 x 7/8S		7/8	3.75	1.22	1.06	0.43	2.52	3.000	0.44	0.37	1.36	1.20	SA205 x 7/8	SB205 x 7/8		
FX205 x 15/16	FX205 x 15/16S		15/16											SA205 x 15/16	SB205 x 15/16		
FX205 x 1	FX205 x 1S		1											SA205 x 1	SB205 x 1		
FX206 x 30MM	FX206 x 30SMM	30		113	35.7	30	11.9	76	90.5	12.1	11	39.8	34.1	SA206 x 30MM	SB206 x 30MM	FX206	0.6
FX206 x 1-1/8	FX206 x 1-1/8S		1-1/8	4.45	1.41	1.18	0.47	2.99	3.563	0.48	0.43	1.57	1.34	SA206 x 1-1/8	SB206 x 1-1/8		
FX206 x 1-3/16	FX206 x 1-3/16S		1-3/16											SA206 x 1-3/16	SB206 x 1-3/16		
FX206 x 1-1/4	FX206 x 1-1/4S		1-1/4											SA206 x 1-1/4	SB206 x 1-1/4		
FX207 x 35MM	FX207 x 35SMM	35		122	38.9	32	12.7	89	100	13	11	43.4	36.5	SA207 x 35MM	SB207 x 35MM	FX207	0.9
FX207 x 1-1/4	FX207 x 1-1/4S		1-1/4	4.80	1.53	1.26	0.50	3.50	3.938	0.51	0.43	1.71	1.44	SA207 x 1-1/4	SB207 x 1-1/4		
FX207 x 1-3/8	FX207 x 1-3/8S		1-3/8											SA207 x 1-3/8	SB207 x 1-3/8		
FX207 x 1-7/16	FX207 x 1-7/16S		1-7/16											SA207 x 1-7/16	SB207 x 1-7/16		

Note: Adapter Lock Inserts also available from stock.

# Ductile 2-Bolt Flange

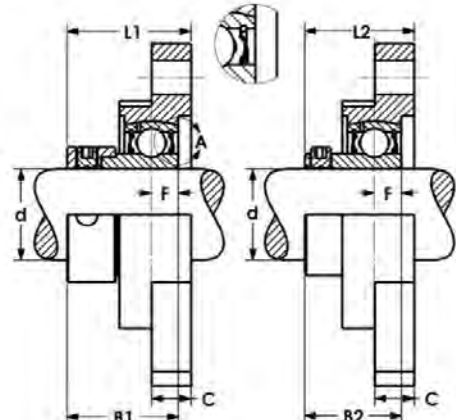
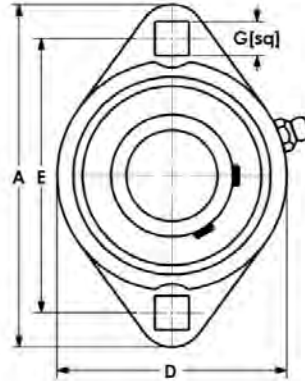


## FX 200 PTI Series

Normal Duty Bearing, Narrow Profile  
 Compact Ductile Iron Housing, Square Holes  
 Set Screw and Eccentric Lock  
 Metric and Inch Bores



Models Available



Eccentric Lock  
SA Bearing

Set Screw Lock  
SB Bearing

Part No.		Shaft Size d		Dimensions (mm) (in)										Bearing No.		Housing No.	Wt. kg
Eccentric	Set Screw	mm	in	A	B <sub>1</sub>	B <sub>2</sub>	C	D	E	F	G	L <sub>1</sub>	L <sub>2</sub>	Eccentric	Set Screw		
FX201-12MM	FX201-12SMM	12		81	28.6	22	10.3	56	63.5	10	7.1	32.6	26	SA201-12MM	SB202-12MM	FX203	0.3
FX202-15MM	FX202-15SMM	15												SA202-15MM	SB202-15MM		
FX203-17MM	FX203-17SMM	17												SA203-17MM	SB203-17MM		
FX201-8	FX201-8S		1/2	3.19	1.13	0.87	0.4	2.20	2.500	0.39	0.28	1.28	1.02	SA201-8	SB201-8		
FX202-10	FX202-10S		5/8											SA202-10	SB202-10		
FX203-11	FX203-11S		11/16											SA203-11	SB203-11		
FX204-20MM	FX204-20SMM	20		90.5	31	25	11	61	71.4	11.1	9	35.1	29.1	SA204-20MM	SB204-20MM	FX204	0.3
FX204-12	FX204-12S		3/4	3.56	1.22	0.98	0.43	2.40	2.813	0.44	0.35	1.38	1.15	SA204-12	SB204-12		
FX205-25MM	FX205-25SMM	25		95.3	31	27	11	64	76.3	11.1	9.5	34.6	30.6	SA205-25MM	SB205-25MM	FX205	0.4
FX205-14	FX205-14S		7/8	3.75	1.22	1.06	0.43	2.52	3.000	0.44	0.37	1.36	1.21	SA205-14	SB205-14		
FX205-15	FX205-15S		15/16											SA205-15	SB205-15		
FX205-16	FX205-16S		1											SA205-16	SB205-16		
FX206-30MM	FX206-30SMM	30		113	35.7	30	11.9	76	90.5	12.1	11	39.8	34.1	SA206-30MM	SB206-30MM	FX206	0.6
FX206-18	FX206-18S		1-1/8	4.45	1.41	1.18	0.47	2.99	3.563	0.48	0.43	1.57	1.34	SA206-18	SB206-18		
FX206-19	FX206-19S		1-3/16											SA206-19	SB206-19		
FX206-20	FX206-20S		1-1/4											SA206-20	SB206-20		
FX207-35MM	FX207-35SMM	35		122	38.9	32	12.7	89	100	13	11	43.4	36.5	SA207-35MM	SB207-35MM	FX207	0.9
FX207-20	FX207-20S		1-1/4	4.81	1.53	1.26	0.5	3.5	3.938	0.51	0.43	1.71	1.44	SA207-20	SB207-20		
FX207-22	FX207-22S		1-3/8											SA207-22	SB207-22		
FX207-23	FX207-23S		1-7/16											SA207-23	SB207-23		

Note: Adapter Lock Inserts also available from stock.

# Pressed Steel Flange



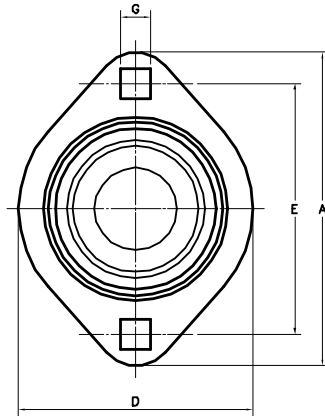
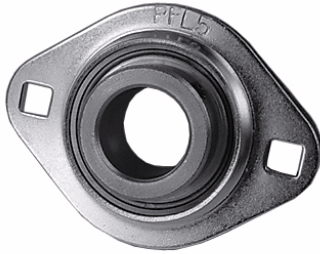
## OBF 200 Euro Series

Normal Duty Bearing

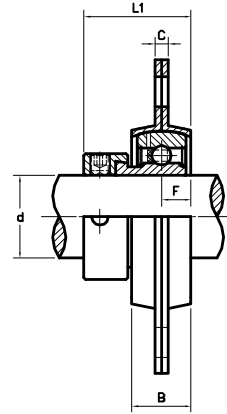
2 pcs Steel Housing

Set Screw and Eccentric Lock

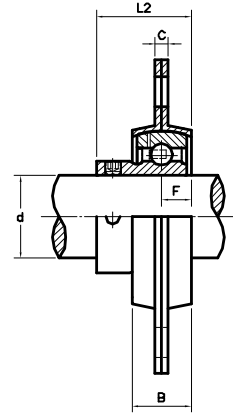
Metric and Inch Bores



Models Available



Eccentric Lock  
SA Bearing



Set Screw Lock  
SB Bearing

Part No.		Shaft Size d		Dimensions (mm) (in)									Housing No.	Wt. kg
Eccentric	Set Screw	mm	in	A	B	C	D	E	F	G	L <sub>1</sub>	L <sub>2</sub>		
OBF201 x 12MM	OBF201 x 12SMM	12		81	14	4	59	63.5	7	7.5	29.6	23	OBF203 (PFL3)	0.2
OBF202 x 15MM	OBF202 x 15SMM	15												
OBF203 x 17MM	OBF203 x 17SMM	17												
OBF201 x 1/2	OBF201 x 1/2S		1/2	3.19	0.55	0.16	2.32	2.50	0.28	0.30	1.17	0.91	OBF204 (PFL4)	0.3
OBF202 x 5/8	OBF202 x 5/8S		5/8											
OBF203 x 11/16	OBF203 x 11/16S		11/16											
OBF204 x 20MM	OBF204 x 20SMM	20		90.5	16	4	67	71.5	8	8.7	32	26	OBF205 (PFL5) OBFLT25*	0.5
OBF204 x 3/4	OBF204 x 3/4S		3/4	3.56	0.63	0.16	2.64	2.81	0.31	0.34	1.26	1.02		
OBF205 x 25MM	OBF205 x 25SMM	25		95.2	18	4	71	76	9	8.7	32.5	28.5	OBF206 (PFL6)	0.7
OBF205 x 7/8	OBF205 x 7/8S		7/8	3.75	0.71	0.16	2.80	2.99	0.35	0.34	1.28	1.12		
OBF205 x 15/16	OBF205 x 15/16S		15/16											
OBF205 x 1	OBF205 x 1S		1											
OBF206 x 30MM	OBF206 x 30SMM	30		112.7	19	5.2	84	90.5	9	10.5	35.7	30	OBF207 (PFL7)	0.9
OBF206 x 1-1/8	OBF206 x 1-1/8S		1-1/8	4.44	0.75	0.20	3.31	3.56	0.35	0.41	1.41	1.18		
OBF206 x 1-3/16	OBF206 x 1-3/16S		1-3/16											
OBF206 x 1-1/4	OBF206 x 1-1/4S		1-1/4											
OBF207 x 35MM	OBF207 x 35SMM	35		123	22	5.2	93.7	100	10.5	10.5	39.9	36	OBF207 (PFL7)	0.9
OBF207 x 1-1/4	OBF207 x 1-1/4S		1-1/4	4.84	0.87	0.20	3.69	3.94	0.41	0.41	1.57	1.42		
OBF207 x 1-3/8	OBF207 x 1-3/8S		1-3/8											
OBF207 x 1-7/16	OBF207 x 1-7/16S		1-7/16											

Note: \*Flat back OBFLT25 housing available this size only.

# Pressed Steel Flange



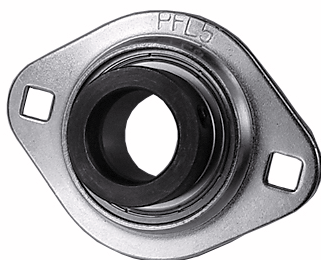
## OBF 200 PTI Series

Normal Duty

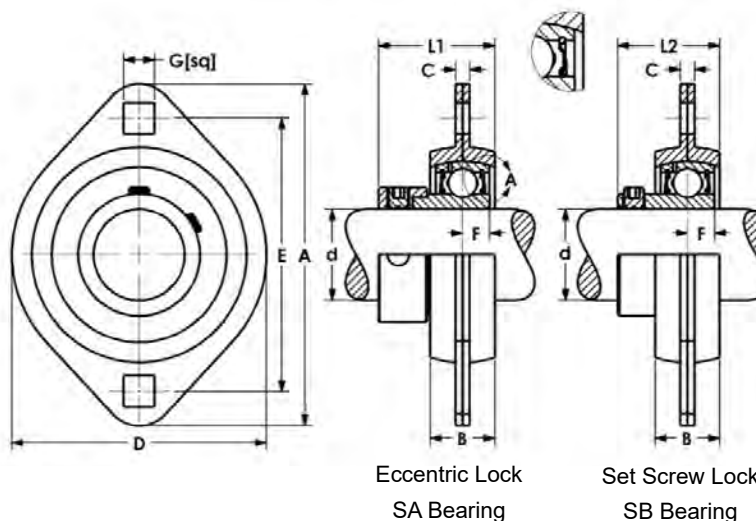
2 pcs Steel Housing

Set Screw and Eccentric Lock

Metric and Inch Bores



Models Available



Eccentric Lock  
SA Bearing

Set Screw Lock  
SB Bearing

Part No.		Shaft Size d		Dimensions (mm) (in)									Housing No.	Wt. kg
Eccentric	Set Screw	mm	in	A	B	C	D	E	F	G	L <sub>1</sub>	L <sub>2</sub>		
OBF201-12MM	OBF201-12SMM	12		81	14	4	59	63.5	7	7.5	29.6	23	OBF203 (PFL3)	0.2
OBF202-15MM	OBF202-15SMM	15												
OBF203-17MM	OBF203-17SMM	17												
OBF201-8	OBF201-8S		1/2	3.19	0.55	0.16	2.32	2.50	0.28	0.30	1.17	0.91		
OBF202-10	OBF202-10S		5/8											
OBF203-11	OBF203-11S		11/16											
OBF204-20MM	OBF204-20SMM	20		90.5	16	4	67	71.5	8	8.7	32	26	OBF204 (PFL4)	0.3
OBF204-12	OBF204-12S		3/4	3.56	0.63	0.16	2.64	2.81	0.31	0.34	1.26	1.02		
OBF205-25MM	OBF205-25SMM	25		95.2	18	4	71	76	9	8.7	32.5	28.5	OBF205 (PFL5) OBFLT25*	0.5
OBF205-14	OBF205-14S		7/8	3.75	0.71	0.16	2.80	2.99	0.35	0.34	1.28	1.12		
OBF205-15	OBF205-15S		15/16											
OBF205-16	OBF205-16S		1											
OBF206-30MM	OBF206-30SMM	30		112.7	19	5.2	84	90.5	9	10.5	36.7	31	OBF206 (PFL6)	0.7
OBF206-18	OBF206-18S		1-1/8	4.44	0.75	0.20	3.31	3.56	0.35	0.41	1.44	1.22		
OBF206-19	OBF206-19S		1-3/16											
OBF206-20	OBF206-20S		1-1/4											
OBF207-35MM	OBF207-35SMM	35		123	22	5.2	93.7	100	10.5	10.5	40.9	34	OBF207 (PFL7)	0.9
OBF207-20	OBF207-20S		1-1/4	4.84	0.87	0.20	3.69	3.94	0.41	0.41	1.61	1.34		
OBF207-22	OBF207-22S		1-3/8											
OBF207-23	OBF207-23S		1-7/16											

Note: \*Flat back OBFLT25 housing available this size only.

# OBFLT 2-Bolt Flange

## Flush Back 2 Pc Flange

### Set Screw & Eccentric Collar Lock

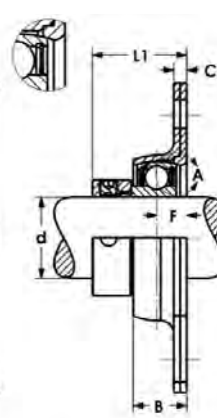
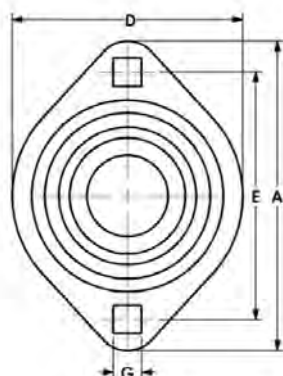


Eccentric Lock

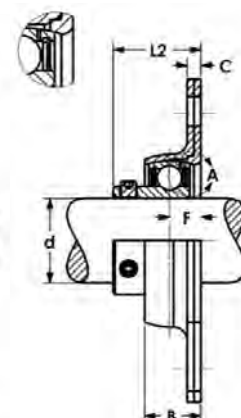
Set Screw



Models Available



SA Bearing



SB Bearing

#### PTI Series

Part No.		Shaft Size d		Dimensions (mm) (in)								Housing No.	Eccentric Lock SA Bearing	Set Screw SB Bearing	
with SB Bearing	with SA Bearing	mm	in	A	B	C	D	E	F	G	L <sub>1</sub>				L <sub>2</sub>
OBFLT20-12MM	OBFLT20-12MMS	12		81	14	4.5	59	63.5	7	7.1	29.6	23	OBFLT20	SA201-12mm	SB201-12mm
OBFLT20-15MM	OBFLT20-15MMS	15											OBFLT20	SA202-15mm	SB202-15mm
OBFLT20-17MM	OBFLT20-17MMS	17											OBFLT20	SA203-17mm	SB203-17mm
OBFLT20-8	OBFLT20-8MMS		1/2	3.19	0.55	0.18	2.32	2.5	0.275	0.28	1.17	0.91	OBFLT20	SA201-8	SB2010-8
OBFLT20-10	OBFLT20-10MMS		5/8										OBFLT20	SA202-10	SB202-10
OBFLT20-11	OBFLT20-11MMS		11/16										OBFLT20	SA203-11	SB203-11
OBFLT25-20MM	OBFLT25-20MMS	20		95.2	17	5	71	76	8.5	8.7	31	26	OBFLT25	SA204-20mm	SB204-20mm
OBFLT25-25MM	OBFLT25-25MMS	25		95.2	17	5	71	76	8.5	8.7	27.5	24.5	OBFLT25	U005-25mm	K005-25mm
OBFLT25-12	OBFLT25-12		3/4	3.75	0.67	0.2	2.8	3	0.34	0.34	1.22	1.02	OBFLT25	SA204-12	SB204-12
OBFLT25-1	OBFLT25-1		1	3.75	0.67	0.2	2.8	3	0.34	0.34	1.08	0.96	OBFLT25	U005-16	K005-16

#### Euro Series

Part No.		Shaft Size d		Dimensions (mm) (in)								Housing No.	Eccentric Lock SA Bearing	Set Screw SB Bearing	
with SB Bearing	with SA Bearing	mm	in	A	B	C	D	E	F	G	L <sub>1</sub>				L <sub>2</sub>
—	OBFLT20x12MMS	12		81	14	4.5	59	63.5	7	7.1	22.5	—	OBFLT20	SA201x12mm	—
—	OBFLT20x15MMS	15											OBFLT20	SA202x15mm	—
—	OBFLT20x17MMS	17											OBFLT20	SA203x17mm	—
OBFLT20x5/8	OBFLT20x5/8S		5/8	3.19	0.55	0.18	2.32	2.5	0.275	0.28	0.89	—	OBFLT20	SA202x5/8	SB202x5/8
OBFLT20x11/16	OBFLT20x11S		11/16	3.19	0.55	0.18	2.32	2.5	0.275	0.28	0.89	—	OBFLT20	SA203x11/16	SB203x11/16
OBFLT25x20MM	OBFLT25x20MMS	20		95.2	17	5	71	76	8.5	8.7	31	26	OBFLT25	SA204x20mm	SB204x20mm
OBFLT25x3/4	OBFLT25x3/4S		3/4	3.75	0.67	0.2	2.8	3	0.34	0.34	1.22	1.02	OBFLT25	SA204x3/4	SB204x3/4



# Pressed Steel Flange with Rubber Isolator



## OBFR 200 PTI Series

Normal Duty

Rubber Isolated Insert: Non-Conductive

2 pcs Steel Housing

Set Screw and Eccentric Lock

Metric and Inch Bores

The Non-Conductive Rubber Isolator fits snugly over the bearing and is clamped between the flanges to cushion vibration.



Models Available

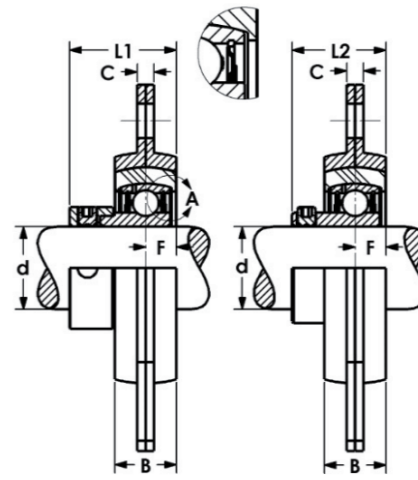
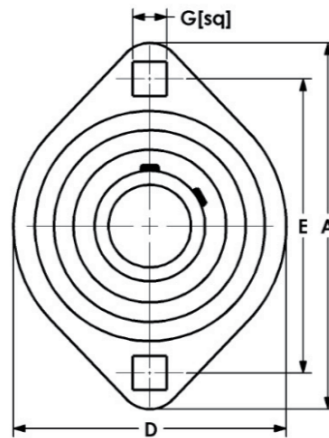


Rubber Isolator

Eccentric Lock



Set Screw Lock



SA Bearing

SB Bearing

Part No.		Shaft Size d		Dimensions (mm) (in)								Housing No.	Rubber Isolator Part No.	Eccentric Lock Bearing	Set Screw Bearing	Wt. kg	
Eccentric	Set Screw	mm	in	A	B	C	D	E	F	G	L <sub>1</sub>						L <sub>2</sub>
OBFR204-20MM	OBFR204-20SMM	20		95.2	18	4	71	76	9	8.7	32.5	28.5	OBF205 (PFL5)	RBR4	SA204-20MM	SB204-20MM	0.3
OBFR204-12	OBFR204-12S		3/4	3.75	0.72	0.16	2.80	2.99	0.35	0.34	1.28	1.12			SA204-12	SB204-12	
OBFR205-25MM	OBFR205-25SMM	25		112.7	19	5.2	84	90.5	9	10.5	36.7	31	OBF206 (PFL6)	RBR5	SA205-25MM	SB205-25MM	0.5
OBFR205-14	OBFR205-14S		7/8	4.44	0.75	0.20	3.31	3.56	0.35	0.41	1.44	1.22			SA205-14	SB205-14	
OBFR205-15	OBFR205-15S		15/16												SA205-15	SB205-15	
OBFR205-16	OBFR205-16S		1												SA205-16	SB205-16	
OBFR206-30MM	OBFR206-30SMM	30		123	22	5.2	93.7	100	10.5	10.5	40	34	OBF207 (PFL7)	RBR6	SA206-30MM	SB206-30MM	0.7
OBFR206-18	OBFR206-18S		1-1/8	4.84	0.87	0.20	3.69	3.94	0.41	0.41	1.61	1.34			SA206-18	SB206-18	
OBFR206-19	OBFR206-19S		1-3/16												SA206-19	SB206-19	
OBFR206-20	OBFR206-20S		1-1/4												SA206-20	SB206-20	

# Light Duty 2-Bolt Flange



## UFL 000 PTI Series

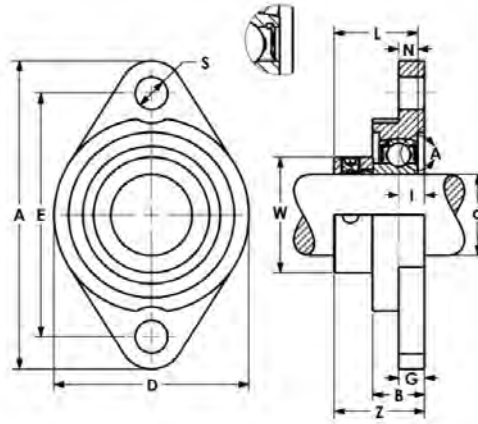
### Extra Narrow Width Eccentric Collar Lock

Rustproof zinc alloy housings.

Bearings are high carbon chromium bearing steel.



Models Available



Part No.	Shaft Size d		Dimensions - (mm)											Bolt Size mm	Bearing No.	Housing No.	Wt. kg
	mm	in	A	E	I	G	B	S	D	Z	L	N	W				
UFL000-10MM	10	—	60	45	5.5	5.5	11.5	7	36	19	17.5	4	17	M 6	U000-10MM	FL000	0.1
UFL001-12MM	12	—	63	48	5.5	5.5	11.5	7	38	19	17.5	4	19	M 6	U001-12MM	FL001	0.1
UFL002-15MM	15	—	67	53	6.5	6.5	13	7	42	20.5	18.5	4.5	22	M 6	U002-15MM	FL002	0.1
UFL003-17MM	17	—	71	56	7	7	14	7	46	22.5	20.5	5	25	M 6	U003-17MM	FL003	0.2
UFL004-20MM	20	—	90	71	8	8	16	10	55	26.5	24.5	6	30	M 8	U004-20MM	FL004	0.2
UFL004-12		3/4													U004-12		
UFL005-25MM	25	—	95	75	8	8	16	10	60	27.5	25.5	6	36	M 8	U005-25MM	FL005	0.2
UFL005-16		1													U005-16		
UFL006-30MM	30	—	112	85	9	9	18	13	70	29	26.5	6.5	42	M 10	U006-30MM	FL006	0.3

## KFL 000 PTI Series

### Extra Narrow Width Set Screw Lock

Rustproof zinc alloy housings.

Bearings are high carbon chromium bearing steel.

Stainless Steel  
Options Available

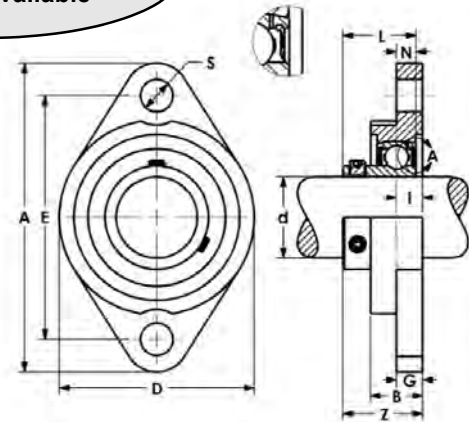


Standard



Corrosion Resistant

Corrosion Resistant  
Plated Housing &  
Stainless Steel Insert  
also available. Add  
"CR" suffix to part no.  
when ordering.  
CR Units have FDA  
FM222 Mobil



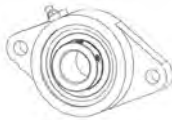
Standard Part No.	Corrosion Resistant Part No.	Shaft d		Dimensions (mm)											Bolt Size mm	Standard Bearing No.	Stainless Bearing No.	Hsg No.	Wt. kg
		mm	in	A	E	I	G	B	S	D	Z	L	N						
KFL000-10MM	KFL000-10MM-CR	10	—	60	45	5.5	5.5	11.5	7	36	15.5	14	4	M 6	K000-10MM	K000-10MM-CR	FL000	0.1	
KFL001-12MM	KFL001-12MM-CR	12	—	63	48	5.5	5.5	11.5	7	38	16	14.5	4	M 6	K001-12MM	K001-12MM-CR	FL001	0.1	
KFL002-15MM	KFL002-15MM-CR	15	—	67	53	6.5	6.5	13	7	42	18.6	16.5	4.5	M 6	K002-15MM	K002-15MM-CR	FL002	0.1	
KFL003-17MM	KFL003-17MM-CR	17	—	71	56	7	7	14	7	46	19.5	17.5	5	M 6	K003-17MM	K003-17MM-CR	FL003	0.2	
KFL004-20MM	KFL004-20MM-CR	20	—	90	71	8	8	16	10	55	23	21	6	M 8	K004-20MM	K004-20MM-CR	FL004	0.2	
KFL004-12	KFL004-12-CR		3/4												K004-12	K004-12-CR			
KFL005-25MM	KFL005-25MM-CR	25	—	95	75	8	8	16	10	60	24.5	22.5	6	M 8	K005-25MM	K005-25MM-CR	FL005	0.2	
KFL005-16	KFL005-16-CR		1												K005-16	K005-16-CR			
KFL006-30MM	KFL006-30MM-CR	30	—	112	85	9	9	18	13	70	27	24.5	6.5	M 10	K006-30MM	K006-30MM-CR	FL006	0.3	

# Medium Duty 2-Bolt Flange

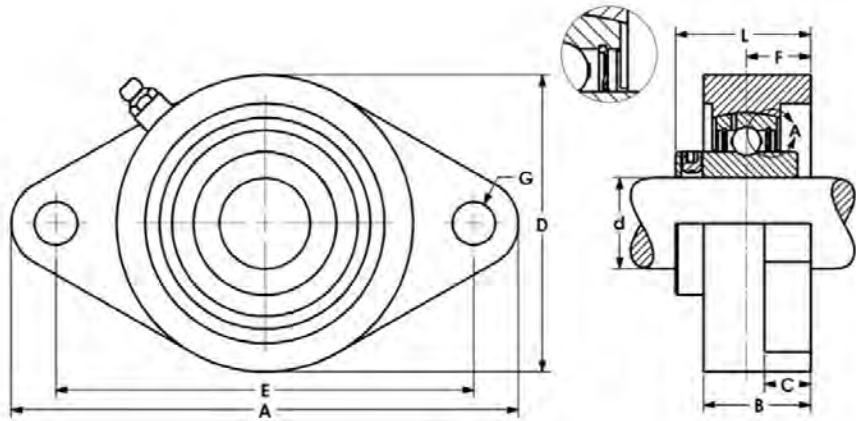


## FLX PTI Series

- Medium Duty Bearing
- Cast Iron Housing
- Set Screw Lock
- Metric and Inch Bores



Models Available



Part No.	Shaft Size d		Dimensions (mm) (in)								Bearing No.	Housing No.	Wt. kg
	mm	in	A	B	C	D	E	F	G	L			
UCFLX05-25MM	25		142	30	13	83	117	18	12	40.2	UCX05-25MM	FLX05	1.2
UCFLX05-16		1	5.59	1.18	0.51	3.27	4.61	0.71	0.47	1.58	UCX05-16		
UCFLX06-30MM	30		156	34	15	95	130	19	16	44.4	UCX06-30MM	FLX06	1.5
UCFLX06-18		1-1/8	6.14	1.34	0.59	3.74	5.12	0.75	0.63	1.75	UCX06-18		
UCFLX06-19		1-3/16									UCX06-19		
UCFLX06-20		1-1/4									UCX06-20		
UCFLX07-35MM	35		171	38	16	105	144	21	16	51.2	UCX07-35MM	FLX07	2.1
UCFLX07-20		1-1/4	6.73	1.50	0.63	4.13	5.67	0.83	0.63	2.02	UCX07-20		
UCFLX07-23		1-7/16									UCX07-23		
UCFLX08-40MM	40		179	40	16	111	148	22	16	52.2	UCX08-40MM	FLX08	2.3
UCFLX08-24		1-1/2	7.05	1.57	0.63	4.37	5.83	0.87	0.63	2.06	UCX08-24		
UCFLX09-45MM	45		189	40	16	116	157	23	16	55.6	UCX09-45MM	FLX09	2.5
UCFLX09-27		1-11/16	7.44	1.57	0.63	4.57	6.18	0.91	0.63	2.19	UCX09-27		
UCFLX09-28		1-3/4									UCX09-28		
UCFLX10-50MM	50		216	44	18	133	184	26	19	59.4	UCX10-50MM	FLX10	3.5
UCFLX10-31		1-15/16	8.50	1.73	0.71	5.24	7.24	1.02	0.75	2.34	UCX10-31		
UCFLX10-32		2									UCX10-32		

# Heavy Duty 2-Bolt Flange

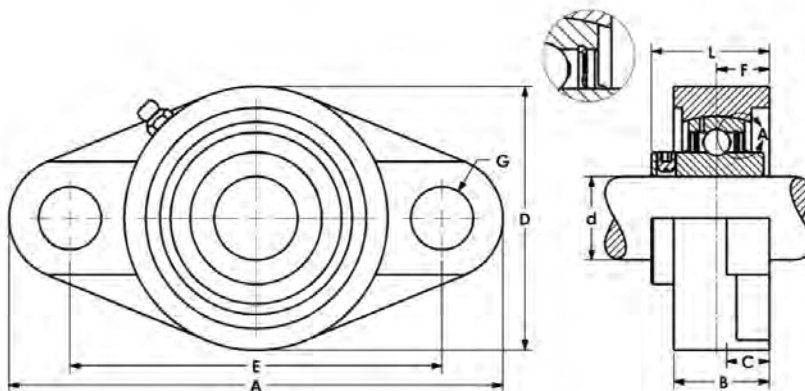


## UCFL 300 PTI Series

Cast Iron Housing

Set Screw Lock

Metric and Inch Bores



Models Available

Part No.	Shaft Size d		Dimensions (mm) (in)								Bearing No.	Housing No.	Wt. kg
	mm	in	A	B	C	D	E	F	G	L			
UCFL305-25MM	25		150	29	13	80	113	16	19	39	UC305-25MM	FL305	1.1
UCFL305-16		1	5.91	1.14	0.51	3.15	4.45	0.63	0.75	1.54	UC305-16		
UCFL306-30MM	30		180	32	15	90	134	18	23	44	UC306-30MM	FL306	1.7
UCFL306-18		1-1/8	7.09	1.26	0.59	3.54	5.28	0.71	0.91	1.73	UC306-18		
UCFL306-19		1-3/16									UC306-19		
UCFL307-35MM	35		185	36	16	100	141	20	23	49	UC307-35MM	FL307	2.0
UCFL307-20		1-1/4	7.28	1.42	0.63	3.94	5.55	0.79	0.91	1.93	UC307-20		
UCFL307-22		1-3/8									UC307-22		
UCFL307-23		1-7/16									UC307-23		
UCFL308-40MM	40		200	40	17	112	158	23	23	56	UC308-40MM	FL308	2.6
UCFL308-24		1-1/2	7.87	1.57	0.67	4.41	6.22	0.91	0.91	2.20	UC308-24		
UCFL309-45MM	45		230	44	18	125	177	25	25	60	UC309-45MM	FL309	3.5
UCFL309-27		1-11/16	9.06	1.73	0.71	4.92	6.97	0.98	0.98	2.36	UC309-27		
UCFL309-28		1-3/4									UC309-28		
UCFL310-50MM	50		240	48	19	140	187	28	25	67	UC310-50MM	FL310	4.5
UCFL310-30		1-7/8	9.45	1.89	0.75	5.51	7.36	1.10	0.98	2.64	UC310-30		
UCFL310-31		1-15/16									UC310-31		
UCFL311-55MM	55		250	52	20	150	198	30	25	71	UC311-55MM	FL311	5.5
UCFL311-32		2	9.84	2.05	0.79	5.91	7.80	1.18	0.98	2.80	UC311-32		
UCFL311-35		2-3/16									UC311-35		
UCFL312-60MM	60		270	56	22	160	212	33	31	78	UC312-60MM	FL312	5.9
UCFL312-39		2-7/16	10.63	2.20	0.87	6.30	8.35	1.30	1.22	3.07	UC312-39		
UCFL313-65MM	65		295	58	25	175	240	33	31	78	UC313-65MM	FL313	8.6
UCFL313-40		2-1/2	11.61	2.28	0.98	6.89	9.45	1.30	1.22	3.07	UC313-40		
UCFL314-70MM	70		315	61	28	185	250	36	35	81	UC314-70MM	FL314	10.0
UCFL314-44		2-3/4	12.40	2.40	1.10	7.28	9.84	1.42	1.38	3.19	UC314-44		

# Swivel Flange



## WSFL 200 Euro Series

Normal Duty Bearing

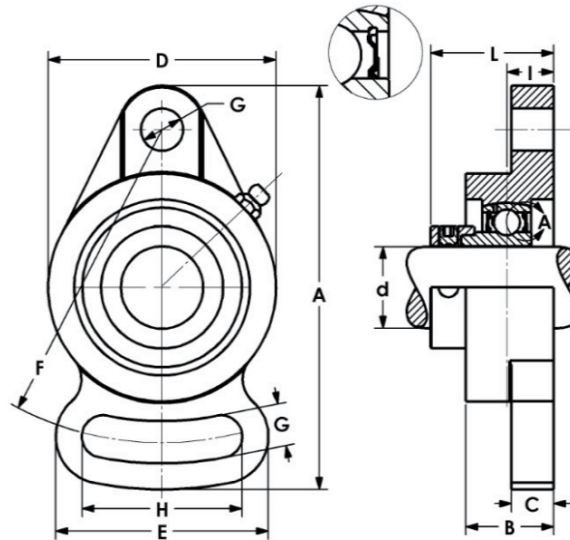
Cast Iron Housing

Eccentric Collar Lock

Metric and Inch Bores



Models Available



Part No.	Shaft Size d		Dimensions (mm) (in)										Bearing No.	Housing No.	Wt. kg
	mm	in	A	B	C	D	E	F	G	H	I	L			
WSFL204 x 20MM	20		112	26	12	60	50	90	11	40	12.8	36.3	SA204 x 20MM	WSFL204	0.6
WSFL204 x 3/4		3/4	4.41	1.02	0.47	2.36	1.97	3.54	0.43	1.57	0.50	1.43	SA204 x 3/4		
WSFL205 x 25MM	25		124	27	13	70	65	96	13	49	14.4	37.9	SA205 x 25MM	WSFL205	0.7
WSFL205 x 7/8		7/8	4.88	1.06	0.51	2.76	2.56	3.78	0.51	1.93	0.57	1.49	SA205 x 7/8		
WSFL205 x 15/16		15/16											SA205 x 15/16		
WSFL205 x 1		1											SA205 x 1		
WSFL206 x 30MM	30		141	31	14	80	68	117	13	53	16.1	42.8	SA206 x 30MM	WSFL206	1.0
WSFL206 x 1-1/8		1-1/8	5.55	1.22	0.55	3.15	2.67	4.60	0.51	2.09	0.63	1.69	SA206 x 1-1/8		
WSFL206 x 1-3/16		1-3/16											SA206 x 1-3/16		
WSFL206 x 1-1/4		1-1/4											SA206 x 1-1/4		
WSFL207 x 35MM	35		155	34	15	90	75	128	15	60	17.6	47.0	SA207 x 35MM	WSFL207	1.4
WSFL207 x 1-1/4		1-1/4	6.10	1.34	0.59	3.54	2.95	5.04	0.59	2.36	0.69	1.85	SA207 x 1-1/4		
WSFL207 x 1-3/8		1-3/8											SA207 x 1-3/8		
WSFL207 x 1-7/16		1-7/16											SA207 x 1-7/16		
WSFL208 x 40MM	40		171	36	16	100	84	142	15	69	19.1	51.8	SA208 x 40MM	WSFL208	1.7
WSFL208 x 1-1/2		1-1/2	6.73	1.42	0.63	3.94	3.31	5.59	0.59	2.72	0.75	2.04	SA208 x 1-1/2		
WSFL209 x 45MM	45		180	38	18	111	90	148	17	70	22	54.7	SA209 x 45MM	WSFL209	1.0
WSFL209 x 1-5/8		1-5/8	7.09	1.50	0.71	4.37	3.54	5.83	0.67	2.76	0.87	2.15	SA209 x 1-5/8		
WSFL209 x 1-11/16		1-11/16											SA209 x 1-11/16		
WSFL209 x 1-3/4		1-3/4											SA209 x 1-3/4		
WSFL210 x 50MM	50		190	40	18	116	94	157	17	74	22	54.7	SA210 x 50MM	WSFL210	1.4
WSFL210 x 1-7/8		1-7/8	7.48	1.57	0.71	4.57	3.70	6.18	0.67	2.91	0.87	2.15	SA210 x 1-7/8		
WSFL210 x 1-15/16		1-15/16											SA210 x 1-15/16		
WSFL210 x 2		2											SA210 x 2		

Note: Set Screw and Adapter Lock Bearings also available from stock.

# Swivel Flange



## WSFL 200 PTI Series

Normal Duty Bearing

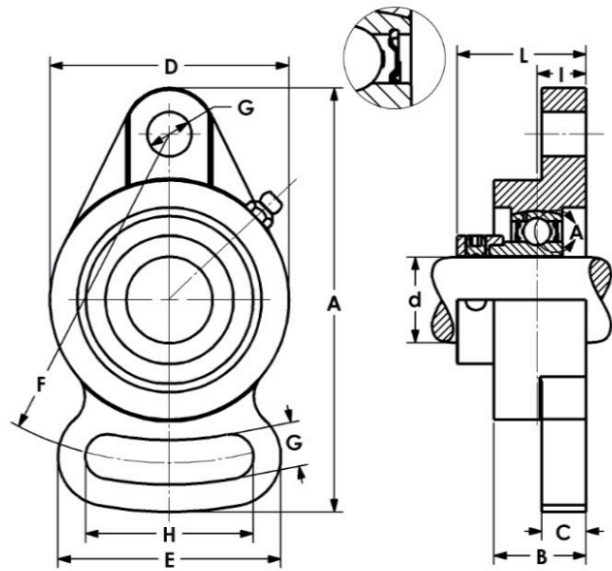
Cast Iron Housing

Eccentric Collar Lock

Metric and Inch Bores



Models Available



Part No.	Shaft Size d		Dimensions (mm) (in)										Bearing No.	Housing No.	Wt. kg
	mm	in	A	B	C	D	E	F	G	H	I	L			
WSFL204-20MM	20		112	26	12	60	50	90	11	40	12.8	36.8	SA204-20MM	WSFL204	0.6
WSFL204-12		3/4	4.41	1.02	0.47	2.36	1.97	3.54	0.43	1.57	0.50	1.45	SA204-12		
WSFL205-25MM	25		124	27	13	70	65	96	13	49	14.4	37.9	SA205-25MM	WSFL205	0.7
WSFL205-14		7/8	4.88	1.06	0.51	2.76	2.56	3.78	0.51	1.93	0.57	1.49	SA205-14		
WSFL205-15		15/16											SA205-15		
WSFL205-16		1											SA205-16		
WSFL206-30MM	30		141	31	14	80	68	117	13	53	16.1	43.8	SA206-30MM	WSFL206	1.0
WSFL206-18		1-1/8	5.55	1.22	0.55	3.15	2.67	4.60	0.51	2.09	0.63	1.72	SA206-18		
WSFL206-19		1-3/16											SA206-19		
WSFL206-20		1-1/4											SA206-20		
WSFL207-35MM	35		155	34	15	90	75	128	15	60	17.6	48.0	SA207-35MM	WSFL207	1.4
WSFL207-20		1-1/4	6.10	1.34	0.59	3.54	2.95	5.04	0.59	2.36	0.69	1.89	SA207-20		
WSFL207-22		1-3/8											SA207-22		
WSFL207-23		1-7/16											SA207-23		
WSFL208-40MM	40		171	36	16	100	84	142	15	69	19.1	53.8	SA208-40MM	WSFL208	1.7
WSFL208-24		1-1/2	6.73	1.42	0.63	3.94	3.31	5.59	0.59	2.72	0.75	2.12	SA208-24		
WSFL209-45MM	45		180	38	18	111	90	148	17	70	22	56.2	SA209-45MM	WSFL209	1.0
WSFL209-26		1-5/8	7.09	1.50	0.71	4.37	3.54	5.83	0.67	2.76	0.87	2.21	SA209-26		
WSFL209-27		1-11/16											SA209-27		
WSFL209-28		1-3/4											SA209-28		
WSFL210-50MM	50		190	40	18	116	94	157	17	74	22	55.7	SA210-50MM	WSFL210	1.4
WSFL210-30		1-7/8	7.48	1.57	0.71	4.57	3.70	6.18	0.67	2.91	0.87	2.19	SA210-30		
WSFL210-31		1-15/16											SA210-31		
WSFL210-32		2											SA210-32		

Note: Set Screw and Adapter Lock Bearings also available from stock.

# Ball Bearing Take-Up Frames



## TUWS & PHUSE Series



TUWS Wide Slot Series



PHUSE Series



PTI offers two styles of Take-Up frames. The **PHUSE Take-Up** features a zinc plated stamped steel cover encasing an extendable cast iron body. The PHUSE is available in 5 basic housing sizes, ranging from 7/8" thru 2" (25mm - 50mm) shaft sizes. The **Wide Slot Take-Up Frame (TUWS)** is also adjustable and accommodates shaft sizes from 1/2" to 2-3/16" (12mm - 60mm). Both Frame Types mount easily to a side panel or conveyor frame and have an adjusting screw with jamb nut to secure the belt tension. Frame mounting holes are industry standard. Stainless frames are available on request. Most frames are typically used in pairs. All units use bearing units that can be re-lubricated. Various inserts, Set Screw, Eccentric Locking, Concentric Clamping Collar or Adapter Mount can be provided from stock components in Charlotte NC.

### PHUSE Frame Sizes

Shaft Size	Take-Up Housing Size	Max Adjustment	Part No.
7/8", 15", 16", 1", 25mm	205	2-1/2"	PHUSE205
1-1/8", 1-3/16", 1-1/4", 30mm	206	2-1/2"	PHUSE206
1-1/4", 1-3/8", 1-7/16", 35mm	207	2-1/2"	PHUSE207
1-1/2", 40mm	208	3-1/8"	PHUSE208
1-7/8", 1-15/16", 2", 50mm	210	3-1/8"	PHUSE210

### Wide Slot Take-Up Frames

Shaft Size Normal Duty	Shaft Size Medium Duty	Take-Up Housing Size	Part No. Max Adjustment (inches)			
			6	12	18	24
12mm, 15mm, 20mm, 1/2", 5/8", 3/4"	—	WS204	TUWS300 x 6	TUWS300 x 12	—	—
25mm, 7/8", 15/16", 1"	—	WS205	TUWS300 x 6	TUWS300 x 12	—	—
30mm, 1-1/8", 1-1/4", 1-7/16"	25mm, 1"	WS206	TUWS308 x 6	TUWS308 x 12	TUWS308 x 18	—
35mm, 1-1/4"	30mm, 1-1/8", 1-1/4", 1-7/16"	WS207	TUWS308 x 6	TUWS308 x 12	TUWS308 x 18	—
40mm, 1-1/2"	35mm, 1-1/4", 1-7/16"	WS208	TUWS400 x 6	TUWS400 x 12	TUWS400 x 18	—
45mm, 1-5/8", 1-11/16", 1-3/4"	40mm, 1-1/2"	WS209	TUWS400 x 6	TUWS400 x 12	TUWS400 x 18	—
50mm, 1-7/8", 1-15/16", 2"	45mm, 1-11/16", 1-3/4"	WS210	TUWS400 x 6	TUWS400 x 12	TUWS400 x 18	—
55mm, 2", 2-1/8", 2-3/16"	50mm, 1-15/16", 2"	WS211	TUWS502 x 6	TUWS502 x 12	TUWS502 x 18	TUWS502 x 24
60mm, 2-1/4", 2-3/8", 2-7/16"	55mm, 2-3/16", 2-1/4"	WS212	TUWS502 x 6	TUWS502 x 12	TUWS502 x 18	TUWS502 x 24

# Take-Up Slide Units



## PHUSE 200 Euro Series

Normal Duty Ball Bearing

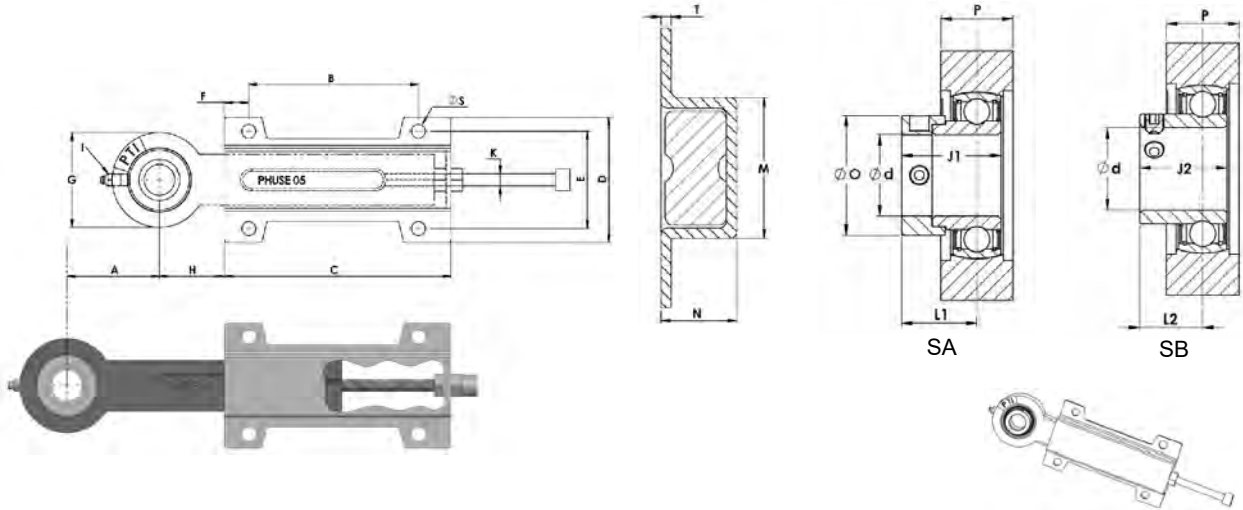
Compact Economical Design for Side Mount Applications

Center Pull Design & Easy Adjustment / Lock

Interchangeable Design

Set Screw or Eccentric Collar Bearing Option

Up to 3" Adjustment



3D Models Available

Part No. with SA Eccentric Collar Bearing	Part No. with SB Set Screw Bearing	Shaft Size d	Dimensions (mm / in)																				Housing + Side Frame	SA Eccentric Collar Insert Bearing	SB Set Screw Insert Bearing	Wt. kg
			Travel A	B	C	D	E	F	G	H	I	J1	J2	K	L1	L2	M	N	O	P	S	T				
PHUSE205 x 25MM	PHUSE205 x 25MMS	25mm	65	140	187	103	80	20	78	50	R1/8	31	27.0	M12	24	19.5	52	28	38.1	22	12	4	HUSE205	SA205 x 25MM	SB205 x 25MM	2.1
PHUSE205 x 7/8	PHUSE205 x 7/8S	7/8	2.56	5.51	7.36	4.06	3.15	0.79	3.07	1.97	R1/8	1.22	1.06	M12	0.93	0.77	2.05	1.10	1.50	0.87	0.45	0.16	HUSE205	SA205 x 7/8	SB205 x 7/8	
PHUSE205 x 15/16	PHUSE205 x 15/16S	15/16																					HUSE205	SA205 x 15/16	SB205 x 15/16	
PHUSE205 x 1	PHUSE205 x 1S	1																					HUSE205	SA205 x 1	SB205 x 1	
PHUSE206 x 30MM	PHUSE206 x 30MMS	30mm	65	140	187	103	80	20	88	50	R1/8	36	30.0	M12	27	21	52	28	44.5	22	12	4	HUSE206	SA206 x 30MM	SB206 x 30MM	2.2
PHUSE206 x 1-1/8	PHUSE206 x 1-1/8S	1-1/8	2.56	5.51	7.36	4.06	3.15	0.79	3.46	1.97	R1/8	1.41	1.18	M12	1.05	0.83	2.05	1.10	1.75	0.87	0.45	0.16	HUSE206	SA206 x 1-1/8	SB206 x 1-1/8	
PHUSE206 x 1-3/16	PHUSE206 x 1-3/16S	1-3/16																					HUSE206	SA206 x 1-3/16	SB206 x 1-3/16	
PHUSE206 x 1-1/4	PHUSE206 x 1-1/4S	1-1/4																					HUSE206	SA206 x 1-1/4	SB206 x 1-1/4	
PHUSE207 x 35MM	PHUSE207 x 35MMS	35mm	65	140	187	103	80	20	98	50	R1/8	39	32.0	M12	29	23.5	52	28	55.6	22	12	4	HUSE207	SA207 x 35MM	SB207 x 35MM	2.5
PHUSE207 x 1-1/4	PHUSE207 x 1-1/4S	1-1/4	2.56	5.51	7.36	4.06	3.15	0.79	3.86	1.97	R1/8	1.53	1.26	M12	1.20	0.93	2.05	1.10	2.19	0.87	0.45	0.16	HUSE207	SA207 x 1-1/4	SB207 x 1-1/4	
PHUSE207 x 1-3/8	PHUSE207 x 1-3/8S	1-3/8																					HUSE207	SA207 x 1-3/8	SB207 x 1-3/8	
PHUSE207 x 1-7/16	PHUSE207 x 1-7/16S	1-7/16																					HUSE207	SA207 x 1-7/16	SB207 x 1-7/16	
PHUSE208 x 40MM	PHUSE208 x 40MMS	40mm	80	180	256	130	100	20	108	60	R1/8	44	34.0	M16	33	29	60	36	60.3	30	14	4	HUSE208	SA208 x 40MM	SB208 x 40MM	4.9
PHUSE208 x 1-1/2	PHUSE208 x 1-1/2S	1-1/2	3.15	7.09	10.08	5.12	3.94	0.79	4.25	2.36	R1/8	1.72	1.34	M16	1.29	0.98	2.36	1.42	2.37	1.18	0.55	0.16	HUSE208	SA208 x 1-1/2	SB208 x 1-1/2	
PHUSE210 x 50MM	PHUSE210 x 50MMS	50mm	80	180	256	130	100	20	120	60	R1/8	44	43.5	M16	33	30.5	60	36	69.9	30	14	4	HUSE210	SA210 x 50MM	SB210 x 50MM	5.3
PHUSE210 x 1-7/8	PHUSE210 x 1-7/8S	1-7/8	3.15	7.09	10.08	5.12	3.94	0.79	4.72	2.36	R1/8	1.72	1.71	M16	1.29	1.20	2.36	1.42	2.75	1.18	0.55	0.16	HUSE210	SA210 x 1-7/8	SB210 x 1-7/8	
PHUSE210 x 1-15/16	PHUSE210 x 1-15/16S	1-15/16																					HUSE210	SA210 x 1-15/16	SB210 x 1-15/16	
PHUSE210 x 2	PHUSE210 x 2S	2																					HUSE210	SA210 x 2	SB210 x 2	

Note: Bearings with a concentric locking collar or adapter mount are available from stock.

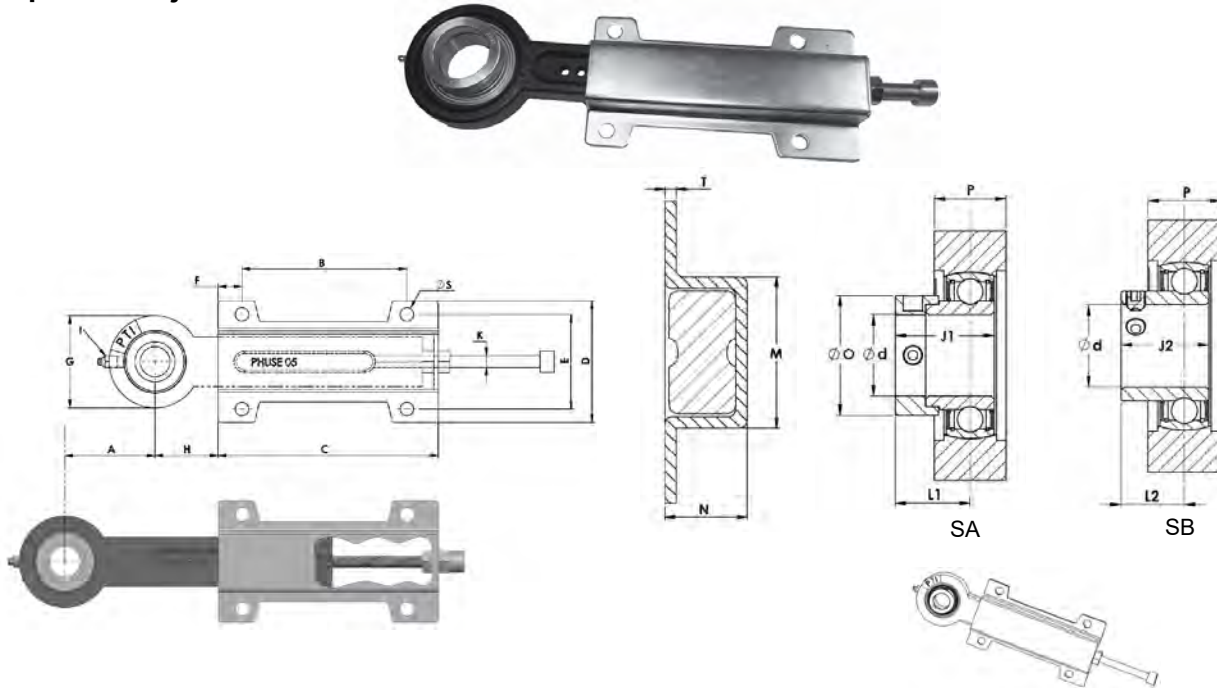


# Take-Up Slide Units



## PHUSE 200 PTI Series

Normal Duty Ball Bearing  
 Compact Economical Design for Side Mount Applications  
 Center Pull Design & Easy Adjustment / Lock  
 Interchangeable Design  
 Set Screw or Eccentric Collar Bearing Option  
 Up to 3" Adjustment



Models Available

Part No. with SA Eccentric Collar Bearing	Part No. with SB Set Screw Bearing	Shaft Size d	Dimensions (mm / in)																			Housing + Slide Frame	SA Eccentric Collar Insert Bearing	SB Set Screw Insert Bearing	Wt. kg		
			Travel A	B	C	D	E	F	G	H	I	J1	J2	K	L1	L2	M	N	O	P	S					T	
PHUSE205-25MM	PHUSE205-25MMS	25mm	65	140	187	103	80	20	78	50	R1/8	31	27.0	M12	23.5	19.5	52	28	37.5	22	11.5	4	HUSE205	SA205-25MM	SB205-25MM	2.1	
PHUSE205-14	PHUSE205-14S	7/8	2.56	5.51	7.36	4.06	3.15	0.79	3.07	1.97	R1/8	1.22	1.06	M12	0.93	0.77	2.05	1.10	1.48	0.87	0.45	0.16	HUSE205	SA205-14	SB205-14		
PHUSE205-15	PHUSE205-15S	15/16																									
PHUSE205-16	PHUSE205-16S	1																									
PHUSE206-30MM	PHUSE206-30MMS	30mm	65	140	187	103	80	20	88	50	R1/8	35.8	30.0	M12	27.7	22	52	28	44	22	11.5	4	HUSE206	SA206-30MM	SB206-30MM	2.2	
PHUSE206-18	PHUSE206-18S	1-1/8	2.56	5.51	7.36	4.06	3.15	0.79	3.46	1.97	R1/8	1.41	1.18	M12	1.09	0.87	2.05	1.10	1.73	0.87	0.45	0.16	HUSE206	SA206-18	SB206-18		
PHUSE206-19	PHUSE206-19S	1-3/16																									
PHUSE206-20	PHUSE206-20S	1-1/4																									
PHUSE207-35MM	PHUSE207-35MMS	35mm	65	140	187	103	80	20	98	50	R1/8	38.9	32.0	M12	30.4	23.5	52	28	51	22	11.5	4	HUSE207	SA207-35MM	SB207-35MM	2.5	
PHUSE207-20	PHUSE207-20S	1-1/4	2.56	5.51	7.36	4.06	3.15	0.79	3.86	1.97	R1/8	1.53	1.26	M12	1.20	0.93	2.05	1.10	2.01	0.87	0.45	0.16	HUSE207	SA207-20	SB207-20		
PHUSE207-22	PHUSE207-22S	1-3/8																									
PHUSE207-23	PHUSE207-23S	1-7/16																									
PHUSE208-40MM	PHUSE208-40MMS	40mm	80	180	256	130	100	20	108	60	R1/8	43.7	34.0	M16	34.7	25	60	36	58	30	14	4	HUSE208	SA208-40MM	SB208-40MM	4.9	
PHUSE208-24	PHUSE208-24S	1-1/2	3.15	7.09	10.08	5.12	3.94	0.79	4.25	2.36	R1/8	1.72	1.34	M16	1.37	0.98	2.36	1.42	2.28	1.18	0.55	0.16	HUSE208	SA208-24	SB208-24		
PHUSE210-50MM	PHUSE210-50MMS	50mm	80	180	256	130	100	20	120	60	R1/8	43.7	43.5	M16	34.2	32.6	60	36	69	30	14	4	HUSE210	SA210-50MM	SB210-50MM	5.3	
PHUSE210-30	PHUSE210-30S	1-7/8	3.15	7.09	10.08	5.12	3.94	0.79	4.72	2.36	R1/8	1.72	1.71	M16	1.35	1.28	2.36	1.42	2.72	1.18	0.55	0.16	HUSE210	SA210-30	SB210-30		
PHUSE210-31	PHUSE210-31S	1-15/16																									
PHUSE210-32	PHUSE210-32S	2																									

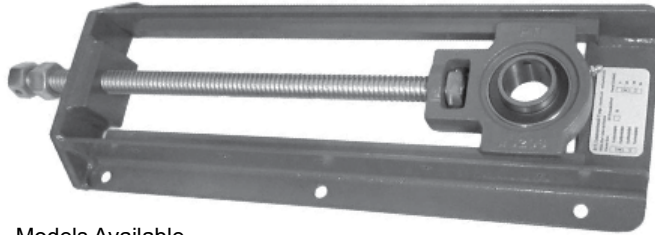
Note: Bearings with a concentric locking collar or adapter mount are available from stock.

# Take-Up Frames Wide Slot Units



## Designed for Wide Slot Take-Up Mounted Ball Bearing Units

Compact Design for Side Mount Applications  
Interchangeable Design & Mounted Dimensions  
Zinc Plated Adjusting Screw (Stainless Optional)



Models Available

**Order Wide Slot Take-Up Bearing Separately**

Nomenclature: TU = Take Up Frame. WS = Wide Slot Housing. 300 = 3" (Slot opening in WS housing)  
308 = 3-8/16" = 3-1/2" opening. 400 = 4", 502 = 5-1/8" and x 6" = inches of travel, etc.

Size Part No.	Part No. with SS Threaded Rod	Use with Housing	For Shaft Sizes		Dimensions (in)																
			mm	in	Travel T (in)	A	B	C	D	E	ØF	Bolt Size	No. of Bolts	G	H	I	J	K (Rod)	L	M	Wt. Lb.
TUWS300x6	TUWS300x6SR	WS204	20	3/4	6	12.00	6.56	4.94	5.56	1	0.44	3/8	6	3.28	1.75	1.06	3.05	M16	1.78	0.25	7
		WS205	25	7/8, 15/16, 1															1.84		
TUWS300x12	TUWS300x12SR	WS204	20	3/4	12	18.00	6.56	7.94	5.56	1	0.44	3/8	6	3.28	1.75	1.06	3.05	M16	1.78	0.25	10
		WS205	25	7/8, 15/16, 1															1.84		
TUWS308x6	TUWS308x6SR	WS206	30	1-1/8, 1-3/16, 1-1/4	6	12.13	7.06	10.44	6.06	1	0.44	3/8	4	3.53	1.94	1.25	3.55	TR20	2.12	0.25	8
		WS207	35	1-1/4, 1-3/8, 1-7/16															2.25		
TUWS308x12	TUWS308x12SR	WS206	30	1-1/8, 1-3/16, 1-1/4	12	18.13	7.06	7.72	6.06	1	0.44	3/8	6	3.53	1.94	1.25	3.55	TR20	2.12	0.25	11
		WS207	35	1-1/4, 1-3/8, 1-7/16															2.25		
TUWS308x18	TUWS308x18SR	WS206	30	1-1/8, 1-3/16, 1-1/4	18	24.13	7.06	10.72	6.06	1	0.44	3/8	6	3.53	1.94	1.25	3.55	TR20	2.12	0.25	14
		WS207	35	1-1/4, 1-3/8, 1-7/16															2.25		
TUWS400x6	TUWS400x6SR	WS208	40	1-1/2	6	13.75	8.81	11.50	7.31	1.13	0.50	7/16	4	4.41	2.13	1.44	4.05	M24	2.63	0.25	15
		WS209	45	1-5/8, 1-11/16, 1-3/4															2.63		
		WS210	50	1-7/8, 1-15/16, 2															2.72		
TUWS400x12	TUWS400x12SR	WS208	40	1-1/2	12	19.75	8.81	8.75	7.31	1.13	0.50	7/16	6	4.41	2.13	1.44	4.05	M24	2.63	0.25	19
		WS209	45	1-5/8, 1-11/16, 1-3/4															2.63		
		WS210	50	1-7/8, 1-15/16, 2															2.72		
TUWS400x18	TUWS400x18SR	WS208	40	1-1/2	18	25.75	8.81	11.75	7.31	1.13	0.50	7/16	6	4.41	2.13	1.44	4.05	M24	2.63	0.25	24
		WS209	45	1-5/8, 1-11/16, 1-3/4															2.63		
		WS210	50	1-7/8, 1-15/16, 2															2.72		

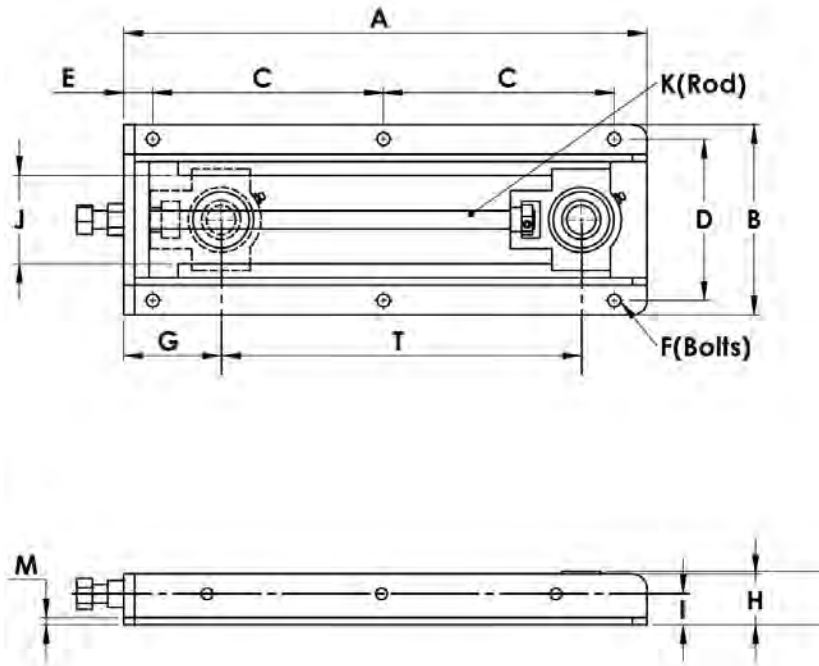
Note: Stainless Steel Threaded Rod is available on request. Frames are painted. For Stainless Steel Frames, consult PTI.

# Take-Up Frames Wide Slot Units



## Designed for Wide Slot Take-Up Mounted Units

- Features: Compact Design for Side Mount Applications
- Designed for Center Pull on Wide Slot Take-Up Units
- Interchangeable Design & Mounted Dimensions
- Zinc Plated Adjusting Screw (Stainless Optional)



Nomenclature: TU = Take Up Frame. WS = Wide Slot Housing. 300 = 3" (Slot opening in WS housing)  
 308 = 3-8/16 = 3-1/2" opening. 400 = 4", 502 = 5-1/8 and x 6 = inches of travel, etc.

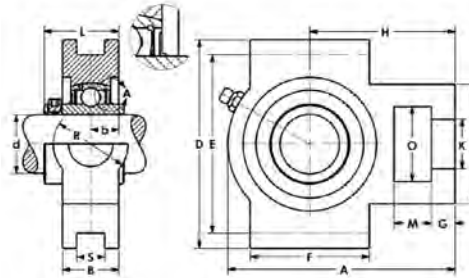
Size Part No.	Part No. with SS Threaded Rod	Use with Housing	For Shaft Sizes		Dimensions (mm)															Wt. Lb.	
			mm	in	Travel T (in)	A	B	C	D	E	ØF	Bolt Size	No. of Bolts	G	H	I	J	K (Rod)	L		M
TUWS502x6	TUWS502x6SR	WS211	55	2, 2-1/8, 2-3/16	6	14.75	10.44	12.50	8.63	1.13	0.56	1/2	4	5.22	2.50	1.50	5.13	M30	2.81	0.19	20
		WS212	60	2-1/4, 2-3/8, 2-7/16															3.06		
TUWS502x12	TUWS502x12SR	WS211	55	2, 2-1/8, 2-3/16	12	20.75	10.44	9.25	8.63	1.13	0.56	1/2	6	5.22	2.50	1.50	5.13	M30	2.81	0.25	29
		WS212	60	2-1/4, 2-3/8, 2-7/16															3.06		
TUWS502x18	TUWS502x18SR	WS211	55	2, 2-1/8, 2-3/16	18	26.75	10.44	12.25	8.63	1.13	0.56	1/2	6	5.22	2.50	1.50	5.13	M30	2.81	0.25	35
		WS212	60	2-1/4, 2-3/8, 2-7/16															3.06		
TUWS502x24	TUWS502x24SR	WS211	55	2, 2-1/8, 2-3/16	24	32.75	10.44	15.25	8.63	1.13	0.56	1/2	6	5.22	2.50	1.50	5.13	M30	2.81	0.25	42
		WS212	60	2-1/4, 2-3/8, 2-7/16															3.06		

Note: Stainless Steel Threaded Rod is available. Frames are painted. For Stainless Steel Frames, consult PTI.



# Take-Up

**UCT 200 PTI Series**  
**Normal Duty Bearing**  
**Cast Iron Housing**  
**Set Screw Lock**  
**Metric and Inch Bores**



Models Available

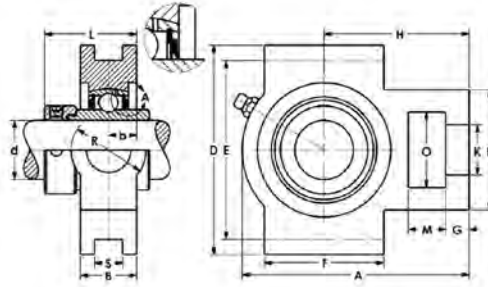
Part No.	Shaft Size d		Dimensions (mm) (in)														Bearing No.	Housing No.	Wt. kg	
	mm	in	A	B	b	D	E	F	G	H	K	L	M	O	P	R				S
UCT204-20MM UCT204-12	20	3/4	94 3.70	21 0.83	10.5 0.41	89 3.50	76 2.99	51 2.01	10 0.39	61 2.40	19 0.75	28.75 1.13	16 0.63	32 1.26	51 2.01	32 1.26	12 0.47	UC204-20MM UCT204-12	T204	0.94
UCT205-25MM UCT205-14 UCT205-15 UCT205-16	25	7/8 15/16 1	97 3.82	24 0.94	12 0.47	89 3.50	76 2.99	51 2.01	10 0.39	62 2.44	19 0.75	31.78 1.25	16 0.63	32 1.26	51 2.01	32 1.26	12 0.47	UC205-25MM UCT205-14 UCT205-15 UCT205-16	T205	1.02
UCT206-30MM UCT206-18 UCT206-19 UCT206-20	30	1-1/8 1-3/16 1-1/4	113 4.45	28 1.10	14 0.55	102 4.02	89 3.50	57 2.24	10 0.39	70 2.76	22 0.87	36.17 1.42	16 0.63	37 1.46	56 2.20	37 1.46	12 0.47	UC206-30MM UCT206-18 UCT206-19 UCT206-20	T206	1.51
UCT207-35MM UCT207-20 UCT207-22 UCT207-23	35	1-1/4 1-3/8 1-7/16	129 5.08	30 1.18	15 0.59	102 4.02	89 3.50	64 2.52	13 0.51	78 3.07	22 0.87	40.37 1.59	16 0.63	37 1.46	64 2.52	37 1.46	12 0.47	UC207-35MM UCT207-20 UCT207-22 UCT207-23	T207	1.87
UCT208-40MM UCT208-24	40	1-1/2	144 5.67	33 1.30	16.5 0.65	114 4.49	102 4.02	83 3.27	16 0.63	88 3.46	29 1.14	46.6 1.83	19 0.75	49 1.93	83 3.27	49 1.93	16 0.63	UC208-40MM UCT208-24	T208	2.73
UCT209-45MM UCT209-26 UCT209-27 UCT209-28	45	1-5/8 1-11/16 1-3/4	144 5.67	35 1.38	17.5 0.65	117 4.61	102 4.02	83 3.27	16 0.63	87 3.43	29 1.14	47.8 1.88	19 0.75	49 1.93	83 3.27	49 1.93	16 0.63	UC209-45MM UCT209-26 UCT209-27 UCT209-28	T209	2.88
UCT210-50MM UCT210-30 UCT210-31 UCT210-32	50	1-7/8 1-15/16 2	149 5.87	37 1.46	18.5 0.73	117 4.61	102 4.02	86 3.39	16 0.63	90 3.54	29 1.14	51 2.01	19 0.75	49 1.93	83 3.27	49 1.93	16 0.63	UC210-50MM UCT210-30 UCT210-31 UCT210-32	T210	3.0
UCT211-55MM UCT211-32 UCT211-34 UCT211-35	55	2 2-1/8 2-3/16	171 6.73	38 1.50	19 0.75	146 5.75	130 5.12	95 3.74	19 0.75	106 4.17	35 1.38	52.4 2.06	25 0.98	64 2.52	102 4.02	64 2.52	22 0.87	UC211-55MM UCT211-32 UCT211-34 UCT211-35	T211	4.67
UCT212-60MM UCT212-36 UCT212-38 UCT212-39	60	2-1/4 2-3/8 2-7/16	194 7.64	42 1.65	21 0.83	146 5.75	130 5.12	102 4.02	19 0.75	119 4.69	35 1.38	60.6 2.39	32 1.26	64 2.52	102 4.02	64 2.52	22 0.87	UC212-60MM UCT212-36 UCT212-38 UCT212-39	T212	5.7
UCT213-65MM UCT213-40	65	2-1/2	224 8.82	44 1.73	22 0.87	167 6.57	151 5.94	121 4.76	21 0.83	137 5.39	41 1.61	61.6 2.43	32 1.26	70 2.76	111 4.37	70 2.76	26 1.02	UC213-65MM UCT213-40	T213	7.68
UCT214-70MM UCT214-43 UCT214-44	70	2-11/16 2-3/4	224 8.82	46 1.81	23 0.91	167 6.57	151 5.94	121 4.76	21 0.83	137 5.39	41 1.61	67.3 2.65	32 1.26	70 2.76	111 4.37	70 2.76	26 1.02	UC214-70MM UCT214-43 UCT214-44	T214	7.74
UCT215-75MM UCT215-47 UCT215-48	75	2-15/16 3	232 9.13	48 1.89	24 0.94	167 6.57	151 5.94	121 4.76	21 0.83	140 5.51	41 1.61	68.5 2.70	32 1.26	70 2.76	111 4.37	70 2.76	26 1.02	UC215-75MM UCT215-47 UCT215-48	T215	8.51
UCT216-80MM UCT216-50	80	3-1/8	235 9.25	51 2.01	25.5 1.00	184 7.24	165 6.50	121 4.76	21 0.83	140 5.51	41 1.61	74.7 2.94	32 1.26	70 2.76	111 4.37	70 2.76	26 1.02	UC216-80MM UCT216-50	T216	9.4
UCT217-85MM UCT217-52	85	3-1/4	260 10.24	54 2.13	27 1.06	198 7.80	173 6.81	157 6.18	29 1.14	150 5.91	48 1.89	78.6 3.09	38 1.5	73 2.87	124 4.88	73 2.87	30 1.18	UC217-85MM UCT217-52	T217	12.06
UCT218-90MM UCT218-56	90	3-1/2	275 10.83	55 2.17	27.5 1.08	215 8.46	190 7.48	140 5.51	30 1.18	160 6.30	48 1.89	83.8 3.30	40 1.57	80 3.15	130 5.12	80 3.15	30 1.18	UC218-90MM UCT218-56	T218	14.82
UCT220-100MM	100	--	295	60	30	240	215	160	30	180	47	79.5	40	80	130	90	28	UC220-100MM	T220	15.50

Note: Eccentric and Adapter Lock Bearings also available from stock.

# Take-Up

## HCT 200 Euro Series

Normal Duty Bearing  
Cast Iron Housing  
Eccentric Collar Lock  
Metric and Inch Bores



Models Available

Part No.	Shaft Size d		Dimensions (mm) (in)														Bearing No.	Housing No.	Wt. kg	
	mm	in	A	B	b	D	E	F	G	H	K	L	M	O	P	R				S
HCT204 x 20MM HCT204 x 3/4	20	3/4	94 3.70	21 0.83	10.5 0.41	89 3.50	76 2.99	51 2.01	10 0.39	61 2.40	19 0.75	37.1 1.46	16 0.63	32 1.26	51 2.01	32 1.26	12 0.47	HC204 x 20MM HC204 x 3/4	T204	0.7
HCT205 x 25MM HCT205 x 7/8 HCT205 x 15/16 HCT205 x 1	25	7/8 15/16 1	97 3.82	24 0.94	12 0.47	89 3.50	76 2.99	51 2.01	10 0.39	62 2.44	19 0.75	38.9 1.53	16 0.63	32 1.26	51 2.01	32 1.26	12 0.47	HC205 x 25MM HC205 x 7/8 HC205 x 15/16 HC205 x 1	T205	1.0
HCT206 x 30MM HCT206 x 1-1/8 HCT206 x 1-3/16 HCT206 x 1-1/4	30	1-1/8 1-3/16 1-1/4	113 4.45	28 1.10	14 0.55	102 4.02	89 3.50	57 2.24	10 0.39	70 2.76	22 0.87	44.1 1.74	16 0.63	37 1.46	56 2.20	37 1.46	12 0.47	HC206 x 30MM HC206 x 1-1/8 HC206 x 1-3/16 HC206 x 1-1/4	T206	1.6
HCT207 x 35MM HCT207 x 1-1/4 HCT207 x 1-3/8 HCT207 x 1-7/16	35	1-1/4 1-3/8 1-7/16	129 5.08	30 1.18	15 0.59	102 4.02	89 3.50	64 2.52	13 0.51	78 3.07	22 0.87	47.3 1.86	16 0.63	37 1.46	64 2.52	37 1.46	12 0.47	HC207 x 35MM HC207 x 1-1/4 HC207 x 1-3/8 HC207 x 1-7/16	T207	2.0
HCT208 x 40MM HCT208 x 1-1/2	40	1-1/2	144 5.67	33 1.30	16.5 0.65	114 4.49	102 4.02	83 3.27	16 0.63	88 3.46	29 1.14	51.4 2.02	19 0.75	49 1.93	83 3.27	49 1.93	16 0.63	HC208 x 40MM HC208 x 1-1/2	T208	2.7
HCT209 x 45MM HCT209 x 1-5/8 HCT209 x 1-11/16 HCT209 x 1-3/4	45	1-5/8 1-11/16 1-3/4	144 5.67	35 1.38	17.5 0.69	117 4.61	102 4.02	83 3.27	16 0.63	87 3.43	29 1.14	52.4 2.06	19 .75	49 1.93	83 3.27	49 1.93	16 0.63	HC209 x 45MM HC209 x 1-5/8 HC209 x 1-11/16 HC209 x 1-3/4	T209	2.9
HCT210 x 50MM HCT210 x 1-7/8 HCT210 x 1-15/16 HCT210 x 2	50	1-7/8 1-15/16 2	149 5.87	37 1.46	18.5 0.73	117 4.61	102 4.02	86 3.39	16 0.63	90 3.54	29 1.14	56.6 2.23	19 0.75	49 1.93	83 3.27	49 1.93	16 0.63	HC210 x 50MM HC210 x 1-7/8 HC210 x 1-15/16 HC210 x 2	T210	3.2
HCT211 x 55MM HCT211 x 2 HCT211 x 2-1/8 HCT211 x 2-3/16	55	2 2-1/8 2-3/16	171 6.73	38 1.50	19 0.75	146 5.75	130 5.12	95 3.74	19 0.75	106 4.17	35 1.38	62.6 2.46	25 0.98	64 2.52	102 4.02	64 2.52	22 0.87	HC211 x 55MM HC211 x 2 HC211 x 2-1/8 HC211 x 2-3/16	T211	4.2
HCT212 x 60MM HCT212 x 2-1/4 HCT212 x 2-3/8 HCT212 x 2-7/16	60	2-1/4 2-3/8 2-7/16	194 7.64	42 1.65	21 0.83	146 5.75	130 5.12	102 4.02	19 0.75	119 4.69	35 1.38	67.8 2.67	32 1.26	64 2.52	102 4.02	64 2.52	22 0.87	HC212 x 60MM HC212 x 2-1/4 HC212 x 2-3/8 HC212 x 2-7/16	T212	5.9
HCT213 x 65MM HCT213 x 2-1/2	65	2-1/2	224 8.82	44 1.73	22 0.87	167 6.57	151 5.94	121 4.76	21 0.83	137 5.39	41 1.61	68.8 2.71	32 1.26	70 2.76	111 4.37	70 2.76	26 1.02	HC213 x 65MM HC213 x 2-1/2	T213	7.7
HCT214 x 70MM HCT214 x 2-11/16 HCT214 x 2-3/4	70	2-11/16 2-3/4	224 8.82	46 1.81	23 0.91	167 6.57	151 5.94	121 4.76	21 0.83	137 5.39	41 1.61	74.2 2.92	32 1.26	70 2.76	111 4.37	70 2.76	26 1.02	HC214 x 70MM HC214 x 2-11/16 HC214 x 2-3/4	T214	7.8
HCT215 x 75MM HCT215 x 2-15/16 HCT215 x 3	75	2-15/16 3	232 9.13	48 1.89	24 0.94	167 6.57	151 5.94	121 4.76	21 0.83	140 5.51	41 1.61	78.4 3.09	32 1.26	70 2.76	111 4.37	70 2.76	26 1.02	HC215 x 75MM HC215 x 2-15/16 HC215 x 3	T215	8.51
HCT216 x 80MM HCT216 x 3-1/8	80	3-1/8	235 9.25	51 2.01	25.5 1.00	184 7.24	165 6.50	121 4.76	21 0.83	140 5.51	41 1.61	85.1 3.35	32 1.26	70 2.76	111 4.37	70 2.76	26 1.02	HC216 x 80MM HC216 x 3-1/8	T216	9.4
HCT218 x 90MM HCT218 x 3-1/2	90	3-1/2	275 10.83	55 2.17	27.5 1.08	215 8.46	190 7.48	140 5.51	30 1.18	160 6.30	48 1.89	90.2 3.55	40 1.57	80 3.15	130 5.12	80 3.15	30 1.18	HC218 x 90MM HC218 x 3-1/2	T218	14.8
HCT220 x 100MM	100	--	295	60	30	240	215	160	30	180	47	79.5	40	80	130	90	28	HC220 x 100MM	T220	15.5

Note: Set Screw and Adapter Lock Bearings also available from stock.

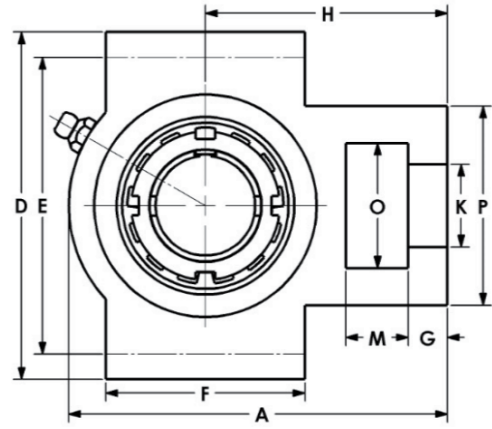
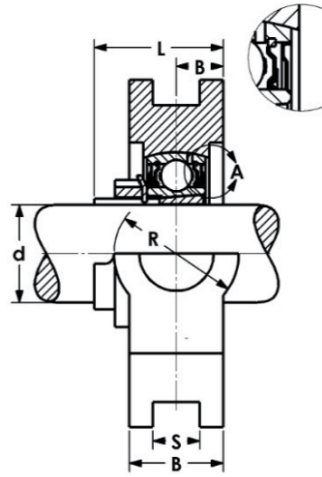


# Take-Up



## GSHT 200 PTI Series

Thin Adapter Lock  
Normal Duty Bearing  
Cast Iron Housing  
Metric and Inch Bores



Models Available

Part No.	Shaft Size d		Dimensions (mm) (in)														Bearing No.	Adapter No.	Housing No.	Wt. kg	
	mm	in	A	B	b	D	E	F	G	H	K	L	M	O	P	R					S
GSHT204-20MM	20		94	21	10.5	89	76	51	10	61	19	29.4	16	32	51	32	12	GSH204	H204GSH-20MM H204GSH-12	T204	0.94
GSHT204-12		3/4	3.70	0.83	0.41	3.50	2.99	2.01	0.39	2.40	0.75	1.16	0.63	1.26	2.01	1.26	0.47				
GSHT205-25MM	25		97	24	12	89	76	51	10	62	19	29.0	16	32	51	32	12	GSH205	H205GSH-25MM H205GSH-15 H205GSH-16	T205	1.02
GSHT205-15		15/16	3.82	0.94	0.47	3.50	2.99	2.01	0.39	2.44	0.75	1.14	0.63	1.26	2.01	1.26	0.47				
GSHT205-16		1																			
GSHT206-30MM	30		113	28	14	102	89	57	10	70	22	36.7	16	37	56	37	12	GSH206	H206GSH-30MM H206GSH-19	T206	1.51
GSHT206-19		1-3/16	4.45	1.10	0.55	4.02	3.50	2.24	0.39	2.76	0.87	1.44	0.63	1.46	2.20	1.46	0.47				
GSHT207-35MM	35		129	30	15	102	89	64	13	78	22	39.6	16	37	64	37	12	GSH207	H207GSH-35MM H207GSH-20 H207GSH-22	T207	1.87
GSHT207-20		1-1/4	5.08	1.18	0.59	4.02	3.50	2.52	0.51	3.07	0.87	1.56	0.63	1.46	2.52	1.46	0.47				
GSHT207-22		1-3/8																			
GSHT208-40MM	40		144	33	16.5	114	102	83	16	88	29	44.4	19	49	83	49	16	GSH208	H208GSH-40MM H208GSH-24	T208	2.73
GSHT208-24		1-1/2	5.67	1.30	0.65	4.49	4.02	3.27	0.63	3.46	1.14	1.75	0.75	1.93	3.27	1.93	0.63				
GSHT209-45MM	45		144	35	17.5	117	102	83	16	87	29	45.1	19	49	83	49	16	GSH209	H209GSH-45MM H209GSH-28	T209	2.88
GSHT209-28		1-3/4	5.67	1.38	0.65	4.61	4.02	3.27	0.63	3.43	1.14	1.78	0.75	1.93	3.27	1.93	0.63				
GSHT210-50MM	50		149	37	18.5	117	102	86	16	90	29	44.9	19	49	83	49	16	GSH210	H210GSH-50MM H210GSH-31 H210GSH-32	T210	3.0
GSHT210-31		1-15/16	5.87	1.46	0.73	4.61	4.02	3.39	0.63	3.54	1.14	1.77	0.75	1.93	3.27	1.93	0.63				
GSHT210-32		2																			



# Take-Up

## CLT 200 PTI Series

Normal Duty Bearing

Cast Iron Housing

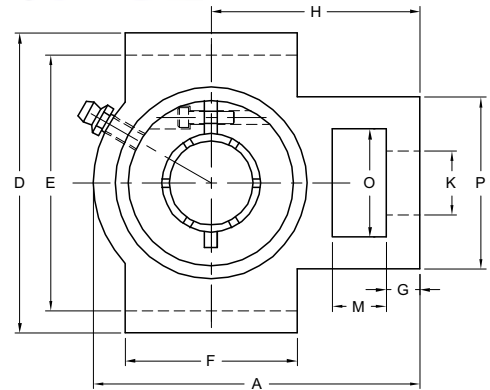
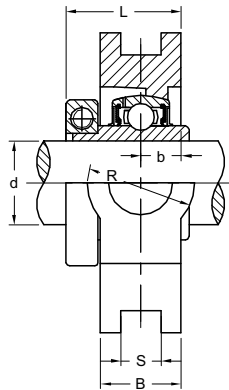
Concentric Locking Collar

Metric and Inch Bores



Models Available

The locking collar provides for a concentric fit to the shaft



Part No.	Shaft Size d		Dimensions (mm) (in)														Bearing No.	Housing No.	Wt. kg	
	mm	in	A	B	b	D	E	F	G	H	K	L	M	O	P	R				S
CLT204-20MM	20		94	21	10.5	89	76	51	10	61	19	30.3	16	32	51	32	12	CL204-20MM	T204	0.76
CLT204-12		3/4	3.70	0.83	0.41	3.50	2.99	2.01	0.39	2.40	0.75	1.19	0.63	1.26	2.01	1.26	0.47	CL204-12		
CLT205-25MM	25		97	24	12	89	76	51	10	62	19	34.2	16	32	51	32	12	CL205-25MM	T205	0.97
CLT205-14		7/8	3.82	0.94	0.47	3.50	2.99	2.01	0.39	2.44	0.75	1.35	0.63	1.26	2.01	1.26	0.47	CL205-14		
CLT205-15		15/16																CL205-15		
CLT205-16		1																CL205-16		
CLT206-30MM	30		113	28	14	102	89	57	10	70	22	37.8	16	37	56	37	12	CL206-30MM	T206	1.31
CLT206-18		1-1/8	4.45	1.10	0.55	4.02	3.50	2.24	0.39	2.76	0.87	1.49	0.63	1.46	2.20	1.46	0.47	CL206-18		
CLT206-19		1-3/16																CL206-19		
CLT206-20		1-1/4																CL206-20		
CLT207-35MM	35		129	30	15	102	89	64	13	78	22	42.0	16	37	64	37	12	CL207-35MM	T207	1.43
CLT207-20		1-1/4	5.08	1.18	0.59	4.02	3.50	2.52	0.51	3.07	0.87	1.65	0.63	1.46	2.52	1.46	0.47	CL207-20		
CLT207-22		1-3/8																CL207-22		
CLT207-23		1-7/16																CL207-23		
CLT208-40MM	40		144	33	16.5	114	102	83	16	88	29	48.3	19	49	83	49	16	CL208-40MM	T208	2.14
CLT208-24		1-1/2	5.67	1.30	0.65	4.49	4.02	3.27	0.63	3.46	1.14	1.90	0.75	1.93	3.27	1.93	0.63	CL208-24		
CLT209-45MM	45		144	35	17.5	117	102	83	16	87	29	49.3	19	49	83	49	16	CL209-45MM	T209	2.21
CLT209-26		1-5/8	5.67	1.38	0.65	4.61	4.02	3.27	0.63	3.43	1.14	1.94	0.75	1.93	3.27	1.93	0.63	CL209-26		
CLT209-27		1-11/16																CL209-27		
CLT209-28		1-3/4																CL209-28		
CLT210-50MM	50		149	37	18.5	117	102	86	16	90	29	52.6	19	49	83	49	16	CL210-50MM	T210	2.29
CLT210-31		1-15/16	5.87	1.46	0.73	4.61	4.02	3.39	0.63	3.54	1.14	2.07	0.75	1.93	3.27	1.93	0.63	CL210-31		
CLT210-32		2																CL210-32		
CLT211-55MM	55		171	38	19	146	130	95	19	106	35	53.9	25	64	102	64	22	CL211-55MM	T211	3.59
CLT211-32		2	6.73	1.50	0.75	5.75	5.12	3.74	0.75	4.17	1.38	2.12	0.98	2.52	4.02	2.52	0.87	CL211-32		
CLT211-34		2-1/8																CL211-34		
CLT211-35		2-3/16																CL211-35		
CLT212-60MM	60		194	42	21	146	130	102	19	119	35	62.3	32	64	102	64	22	CL212-60MM	T212	4.75
CLT212-36		2-1/4	7.64	1.65	0.83	5.75	5.12	4.02	0.75	4.69	1.38	2.45	1.26	2.52	4.02	2.52	0.87	CL212-36		
CLT212-38		2-3/8																CL212-38		
CLT212-39		2-7/16																CL212-39		

Note: Other sizes available on request.

# Wide Slot Take-Up

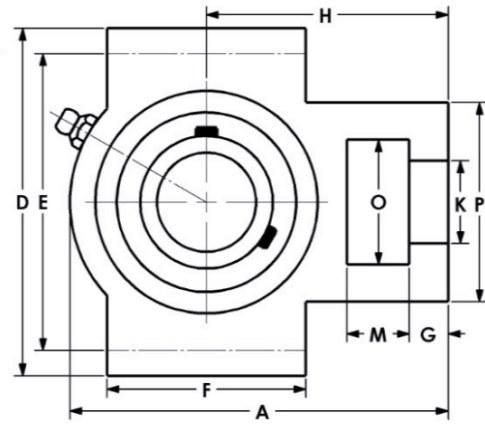
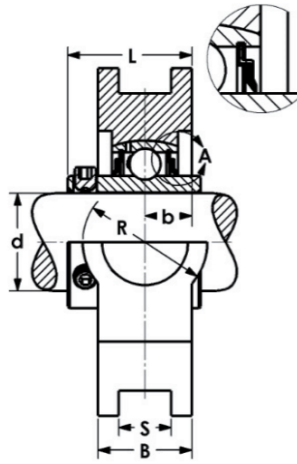


## WS 200 Euro Series

Normal Duty Bearing  
Cast Iron Housing  
Set Screw Lock  
Metric and Inch Bores



Models Available



Part No.	Shaft Size d		Dimensions (mm) (in)														Bearing No.	Housing No.	Wt. kg	
	mm	in	A	B	b	D	E	F	G	H	K	L	M	O	P	R				S
WS204 x 20UMM	20		94	24	12	89	76.2	51	10	60.3	19	30.2	16	32	51	32	13.5	UC204 x 20MM	WS204	0.7
WS204 x 3/4U		3/4	3.70	0.94	0.47	3.5	3.0	2.0	0.39	2.37	0.75	1.19	0.63	1.26	2.01	1.25	0.53	UC204 x 3/4		
WS205 x 25UMM	25		97	24	12	89	76.2	51	10	62	22	31.8	16	32	51	32	13.5	UC205 x 25MM	WS205	1.0
WS205 x 7/8U		7/8	3.82	0.94	0.47	3.5	3.00	2.01	0.39	2.44	0.87	1.25	0.63	1.26	2.0	1.25	0.53	UC205 x 7/8		
WS205 x 15/16U		15/16																UC205 x 15/16		
WS205 x 1U		1																UC205 x 1		
WS206 x 30UMM	30		113	28	14	102	89	57	10	70	22	34.2	16	36.5	56	36.5	13.5	UC206 x 30MM	WS206	1.6
WS206 x 1-1/8U		1-1/8	4.45	1.10	0.55	4.02	3.50	2.24	0.39	2.76	0.87	1.35	0.63	1.44	2.20	1.44	0.53	UC206 x 1-1/8		
WS206 x 1-3/16U		1-3/16																UC206 x 1-3/16		
WS206 x 1-1/4U		1-1/4																UC206 x 1-1/4		
WS207 x 35UMM	35		129	30	15	102	89	63.5	13	78	22	40.4	16	36.5	64	36.5	13.5	UC207 x 35MM	WS207	2.0
WS207 x 1-1/4U		1-1/4	5.08	1.18	0.59	4.02	3.50	2.50	0.51	3.07	0.87	1.59	0.63	1.44	2.5	1.44	0.53	UC207 x 1-1/4		
WS207 x 1-3/8U		1-3/8																UC207 x 1-3/8		
WS207 x 1-7/16U		1-7/16																UC207 x 1-7/16		
WS208 x 40UMM	40		144	35	17.5	114.3	102	82.5	16	89	28	47.7	19	49	83	49	17.5	UC208 x 40MM	WS208	2.7
WS208 x 1-1/2U		1-1/2	5.67	1.38	0.69	4.5	4.02	3.25	0.63	3.50	1.10	1.88	0.75	1.93	3.27	1.93	0.69	UC208 x 1-1/2		
WS209 x 45UMM	45		144	35	17.5	117	102	82.5	16	87	28	47.7	19	49	83	49	17.5	UC209 x 45MM	WS209	2.9
WS209 x 1-5/8U		1-5/8	5.67	1.38	0.69	4.61	4.02	3.25	0.63	3.43	1.10	1.88	0.75	1.93	3.27	1.93	0.69	UC209 x 1-5/8		
WS209 x 1-11/16U		1-11/16																UC209 x 1-11/16		
WS209 x 1-3/4U		1-3/4																UC209 x 1-3/4		
WS210 x 50UMM	50		149	37	18.5	117	102	85.7	16	90	28	50.1	19	49	83	49	17.5	UC210 x 50MM	WS210	3.2
WS210 x 1-7/8U		1-7/8	5.87	1.46	0.73	4.61	4.02	3.37	0.63	3.54	1.10	1.97	0.75	1.93	3.27	1.93	0.69	UC210 x 1-7/8		
WS210 x 1-15/16U		1-15/16																UC210 x 1-15/16		
WS210 x 2U		2																UC210 x 2		
WS211 x 55UMM	55		171	38	19	146	130	95	19	106	35	53.9	25.4	63.5	102	63.5	27	UC211 x 55MM	WS211	4.2
WS211 x 2U		2	6.73	1.50	0.75	5.75	5.12	3.74	0.75	4.19	1.37	2.12	1.0	2.50	4.02	2.50	1.06	UC211 x 2		
WS211 x 2-1/8U		2-1/8																UC211 x 2-1/8		
WS211 x 2-3/16U		2-3/16																UC211 x 2-3/16		
WS212 x 60UMM	60		194	46	23	146	130	102	19	119	35	62.7	32	63.5	102	63.5	27	UC212 x 60MM	WS212	5.9
WS212 x 2-1/4U		2-1/4	7.64	1.81	0.91	5.75	5.12	4.02	0.75	4.69	1.38	2.47	1.26	2.50	4.02	2.50	1.06	UC212 x 2-1/4		
WS212 x 2-3/8U		2-3/8																UC212 x 2-3/8		
WS212 x 2-7/16U		2-7/16																UC212 x 2-7/16		

Note: Eccentric and Adapter Lock Bearings also available from stock.

# Wide Slot Take-Up



## WS 200 PTI Series

Normal Duty Bearing

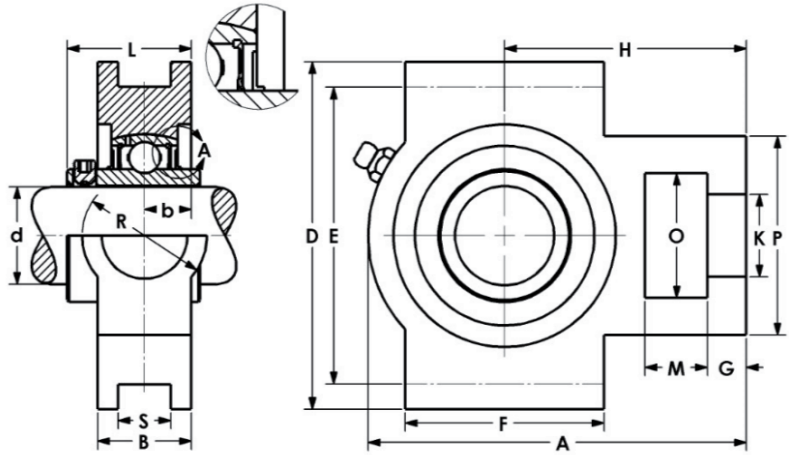
Cast Iron Housing

Set Screw Lock

Metric and Inch Bores



Models Available



Part No.	Shaft Size d		Dimensions (mm) (in)														Bearing No.	Housing No.	Wt. kg	
	mm	in	A	B	b	D	E	F	G	H	K	L	M	O	P	R				S
WS204-20UMM	20		94	24	12	89	76.2	51	10	60.3	19	30.3	16	32	51	32	13.5	UC204-20MM	WS204	0.7
WS204-12U		3/4	3.70	0.94	0.47	3.50	3.00	2.01	0.39	2.37	0.75	1.19	0.63	1.26	2.01	1.26	0.53	UC204-12		
WS205-25UMM	25		97	24	12	89	76.2	51	10	62	22	31.8	16	32	51	32	13.5	UC205-25MM	WS205	1.0
WS205-14U		7/8	3.82	0.94	0.47	3.50	3.00	2.01	0.39	2.44	0.87	1.25	0.63	1.26	2.01	1.26	0.53	UC205-14		
WS205-15U		15/16																UC205-15		
WS205-16U		1																UC205-16		
WS206-30UMM	30		113	28	14	102	89	57	10	70	22	34.2	16	36.5	56	36.5	13.5	UC206-30MM	WS206	1.6
WS206-18U		1-1/8	4.45	1.10	0.55	4.02	3.50	2.24	0.39	2.76	0.87	1.35	0.63	1.44	2.20	1.44	0.53	UC206-18		
WS206-19U		1-3/16																UC206-19		
WS206-20U		1-1/4																UC206-20		
WS207-35UMM	35		129	30	15	102	89	63.5	13	78	22	40.4	16	36.5	64	36.5	13.5	UC207-35MM	WS207	2.0
WS207-20U		1-1/4	5.08	1.18	0.59	4.02	3.50	2.50	0.51	3.07	0.87	1.59	0.63	1.44	2.52	1.44	0.53	UC207-20		
WS207-22U		1-3/8																UC207-22		
WS207-23U		1-7/16																UC207-23		
WS208-40UMM	40		144	35	17.5	114.3	102	82.5	16	89	28	47.7	19	49	83	49	17.5	UC208-40MM	WS208	2.7
WS208-24U		1-1/2	5.67	1.38	0.69	4.50	4.02	3.25	0.63	3.50	1.10	1.88	0.75	1.93	3.27	1.93	0.69	UC208-24		
WS209-45UMM	45		144	35	17.5	117	102	82.5	16	87	28	47.7	19	49	83	49	17.5	UC209-45MM	WS209	2.9
WS209-26U		1-5/8	5.67	1.38	0.69	4.61	4.02	3.25	0.63	3.43	1.10	1.88	0.75	1.93	3.27	1.93	0.69	UC209-26		
WS209-27U		1-11/16																UC209-27		
WS209-28U		1-3/4																UC209-28		
WS210-50UMM	50		149	37	18.5	117	102	85.7	16	90	28	50.1	19	49	83	49	17.5	UC210-50MM	WS210	3.2
WS210-30U		1-7/8	5.87	1.46	0.73	4.61	4.02	3.37	0.63	3.54	1.10	1.97	0.75	1.93	3.27	1.93	0.69	UC210-30		
WS210-31U		1-15/16																UC210-31		
WS210-32U		2																UC210-32		
WS211-55UMM	55		171	38	19	146	130	95	19	106	35	53.9	25.4	63.5	102	63.5	27	UC211-55MM	WS211	4.2
WS211-32U		2	6.73	1.50	0.75	5.75	5.12	3.74	0.75	4.17	1.38	2.12	1.00	2.50	4.02	2.50	1.06	UC211-32		
WS211-34U		2-1/8																UC211-34		
WS211-35U		2-3/16																UC211-35		
WS212-60UMM	60		194	46	23	146	130	102	19	119	35	62.7	32	63.5	102	63.5	27	UC212-60MM	WS212	5.9
WS212-36U		2-1/4	7.64	1.81	0.91	5.75	5.12	4.02	0.75	4.69	1.38	2.47	1.26	2.50	4.02	2.50	1.06	UC212-36		
WS212-38U		2-3/8																UC212-38		
WS212-39U		2-7/16																UC212-39		

Note: Eccentric and Adapter Lock Bearings also available from stock.

# Wide Slot Take-Up



## CLWS 200 PTI Series

Normal Duty Bearing

Cast Iron Housing

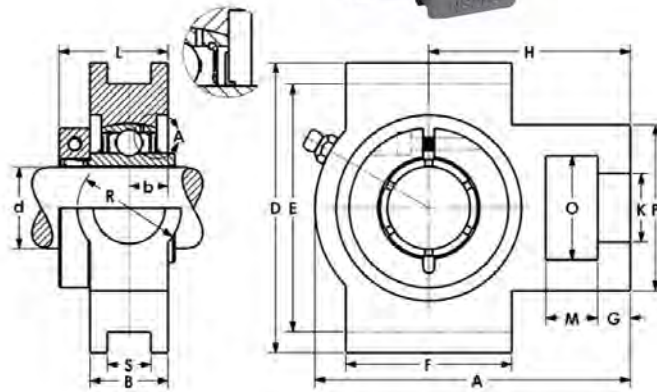
Concentric Locking Collar

Metric and Inch Bores



Models Available

The locking collar provides for a concentric fit to the shaft



Part No.	Shaft Size d		Dimensions (mm) (in)														Bearing No.	Housing No.	Wt. kg	
	mm	in	A	B	b	D	E	F	G	H	K	L	M	O	P	R				S
CLWS204-20MM	20		94	21	10.5	89	76	51	10	61	19	30.3	16	32	51	32	13.5	CL204-20MM	WS204	0.7
CLWS204-12		3/4	3.70	0.83	0.41	3.50	2.99	2.01	0.39	2.40	0.75	1.19	0.63	1.26	2.01	1.26	0.531	CL204-12		
CLWS205-25MM	25		97	24	12	89	76	51	10	62	19	34.2	16	32	51	32	13.5	CL205-25MM	WS205	1.0
CLWS205-14		7/8	3.82	0.94	0.47	3.50	2.99	2.01	0.39	2.40	0.75	1.35	0.63	1.26	2.01	1.26	0.531	CL205-14		
CLWS205-15		15/16																CL205-15		
CLWS205-16		1																CL205-16		
CLWS206-30MM	30		113	28	14	102	89	57	10	70	22	37.8	16	37	56	37	13.5	CL206-30MM	WS206	1.6
CLWS206-18		1-1/8	4.45	1.10	0.55	4.02	3.50	2.24	0.39	2.76	0.87	1.49	0.63	1.46	2.20	1.46	0.531	CL206-18		
CLWS206-19		1-3/16																CL206-19		
CLWS206-20		1-1/4																CL206-20		
CLWS207-35MM	35		129	30	15	102	89	64	13	78	22	42.0	16	37	64	37	13.5	CL207-35MM	WS207	2.0
CLWS207-20		1-1/4	5.08	1.18	0.59	4.02	3.50	2.52	0.51	3.07	0.87	1.65	0.63	1.46	2.52	1.46	0.531	CL207-20		
CLWS207-22		1-3/8																CL207-22		
CLWS207-23		1-7/16																CL207-23		
CLWS208-40MM	40		144	33	16.5	114	102	83	16	88	29	48.3	19	49	83	49	17.5	CL208-40MM	WS208	2.7
CLWS208-24		1-1/2	5.67	1.30	0.65	4.49	4.02	3.27	0.63	3.46	1.14	1.90	0.75	1.93	3.27	1.93	0.688	CL208-24		
CLWS209-45MM	45		144	35	17.5	117	102	83	16	87	29	49.3	19	49	83	49	17.5	CL209-45MM	WS209	2.9
CLWS209-26		1-5/8	5.67	1.38	0.65	4.61	4.02	3.27	0.63	3.43	1.14	1.94	0.75	1.93	3.27	1.93	0.688	CL209-26		
CLWS209-27		1-11/16																CL209-27		
CLWS209-28		1-3/4																CL209-28		
CLWS210-50MM	50		149	37	18.5	117	102	86	16	90	29	52.6	19	49	83	49	17.5	CL210-50MM	WS210	3.2
CLWS210-30		1-7/8	5.87	1.46	0.73	4.61	4.02	3.39	0.63	3.54	1.14	2.07	0.75	1.93	3.27	1.93	0.688	CL210-30		
CLWS210-31		1-15/16																CL210-31		
CLWS210-32		2																CL210-32		
CLWS211-55MM	55		171	38	19	146	130	95	19	106	35	53.9	25	64	102	64	27	CL211-55MM	WS211	4.2
CLWS211-32		2	6.73	1.50	0.75	5.75	5.12	3.74	0.75	4.17	1.38	2.12	0.98	2.52	4.02	2.52	1.06	CL211-32		
CLWS211-34		2-1/8																CL211-34		
CLWS211-35		2-3/16																CL211-35		
CLWS212-60MM	60		194	42	21	146	130	102	19	119	35	62.3	32	64	102	64	27	CL212-60MM	WS212	5.9
CLWS212-36		2-1/4	7.64	1.65	0.83	5.75	5.12	4.02	0.75	4.69	1.38	2.45	1.26	2.52	4.02	2.52	1.06	CL212-36		
CLWS212-38		2-3/8																CL212-38		
CLWS212-39		2-7/16																CL212-39		

# Medium Duty Wide Slot Take-Up



## WSX X00 PTI Series

Medium Duty Bearing

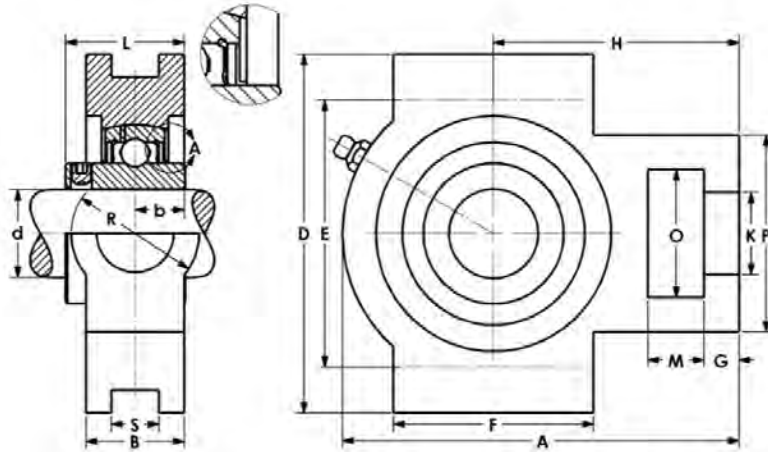
Cast Iron Housing

Set Screw Lock

Metric and Inch Bores



Models Available



Part No.	Shaft Size d		Dimensions (mm) (in)														Bearing No.	Housing No.	Wt. kg	
	mm	in	A	B	b	D	E	F	G	H	K	L	M	O	P	R				S
WSX05-25MM	25		113	28	16	102	89	57	10	70	22	34.2	16	36.5	56	56	13.5	UCX05-25MM	WS206	1.4
WSX05-16		1	4.45	1.10	0.63	4.02	3.50	2.24	0.39	2.76	0.87	1.35	0.63	1.44	2.20	2.20	0.53	UCX05-16		
WSX06-30MM	30		129	30	17.5	102	89	63.5	13	78	22	40.4	16	36.5	64	64	13.5	UCX06-30MM	WS207	2.1
WSX06-18		1-1/8	5.08	1.18	0.69	4.02	3.50	2.50	0.51	3.07	0.87	1.59	0.63	1.44	2.52	2.52	0.53	UCX06-18		
WSX06-19		1-3/16																UCX06-19		
WSX06-20		1-1/4																UCX06-20		
WSX07-35MM	35		144	36	19	114.3	102	82.5	15	89	29	47.6	19	49	83	83	17.5	UCX07-35MM	WS208	2.4
WSX07-20		1-1/4	5.67	1.42	0.75	4.50	4.02	3.25	0.59	3.50	1.14	1.87	0.75	1.93	3.27	3.27	0.69	UCX07-20		
WSX07-23		1-7/16																UCX07-23		
WSX08-40MM	40		144	38	19	117	102	82.5	15	87	29	47.6	19	49	83	83	17.5	UCX08-40MM	WS209	2.9
WSX08-24		1-1/2	5.67	1.50	0.75	4.61	4.02	3.25	0.59	3.43	1.14	1.87	0.75	1.93	3.27	3.27	0.69	UCX08-24		
WSX09-45MM	45		149	38	19	117	102	85.7	16	90	29	50.0	19	49	83	83	17.5	UCX09-45MM	WS210	3.4
WSX09-27		1-11/16	5.87	1.50	0.75	4.61	4.02	3.37	0.63	3.54	1.14	1.97	0.75	1.93	3.27	3.27	0.69	UCX09-27		
WSX09-28		1-3/4																UCX09-28		
WSX10-50MM	50		171	42	22	146	130	95	19	106	35	53.7	25.4	63.5	102	102	27	UCX10-50MM	WS211	4.2
WSX10-31		1-15/16	6.73	1.65	0.87	5.75	5.12	3.74	0.75	4.17	1.38	2.11	1.00	2.50	4.02	4.02	1.06	UCX10-31		
WSX10-32		2																UCX10-32		
WSX11-55MM	55		194	42	25	146	130	102	19	119	35	62.7	32	63.5	102	102	27	UCX11-55MM	WS212	7.1
WSX11-35		2-3/16	7.64	1.65	0.98	5.75	5.12	4.02	0.75	4.69	1.38	2.47	1.26	2.50	4.02	4.02	1.06	UCX11-35		
WSX11-36		2-1/4																UCX11-36		

Note: Larger sizes on request.

# Take-Up



## SPK 200 Euro Series

Normal Duty Bearing

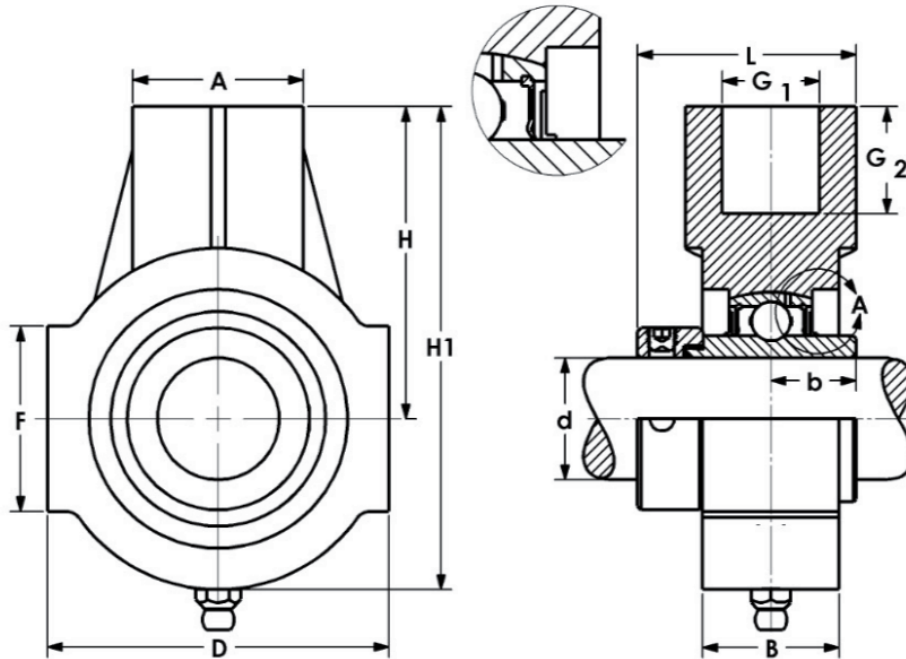
Cast Iron Housing

Eccentric Collar Lock

Metric Bores



Models Available



Part No.	Shaft Size d	Dimensions (mm)										Bearing No.	Housing No.	Wt. kg
		A	B	b	D	F	G <sub>1</sub>	G <sub>2</sub>	H	H <sub>1</sub>	L			
SPK204 x 20AMM	20	33	25	16.5	65	38	M16 x 2	21	58	91	43.1	HC204 x 20MM	SPK204	0.7
SPK205 x 25AMM	25	35	28	17.5	70	38	M20 x 2.5	22	64	99	44.4	HC205 x 25MM	SPK205	0.8
SPK206 x 30AMM	30	40	32	20.0	85	40	M24 x 3	24	72	114	50.1	HC206 x 30MM	SPK206	1.2
SPK207 x 35AMM	35	40	32	20.0	90	49	M24 x 3	24	76	122	52.3	HC207 x 35MM	SPK207	1.4
SPK208 x 40AMM	40	40	36	20.0	100	45	M24 x 3	24	85	135	54.9	HC208 x 40MM	SPK208	1.9
SPK209 x 45AMM	45	40	40	20.0	110	46	M24 x 3	24	90	145	54.9	HC209 x 45MM	SPK209	2.4
SPK210 x 50AMM	50	40	40	20.0	110	46	M24 x 3	24	90	145	58.1	HC210 x 50MM	SPK210	2.4
SPK212 x 60AMM	60	61	42	30.5	143	51	M24 x 3	24	104	175	77.3	HC212 x 60MM	SPK212	3.8

Note: Set Screw and Adapter Lock Bearings also available from stock. Inch bores on request.

# Take-Up



## SPK 200 PTI Series

Normal Duty Bearing

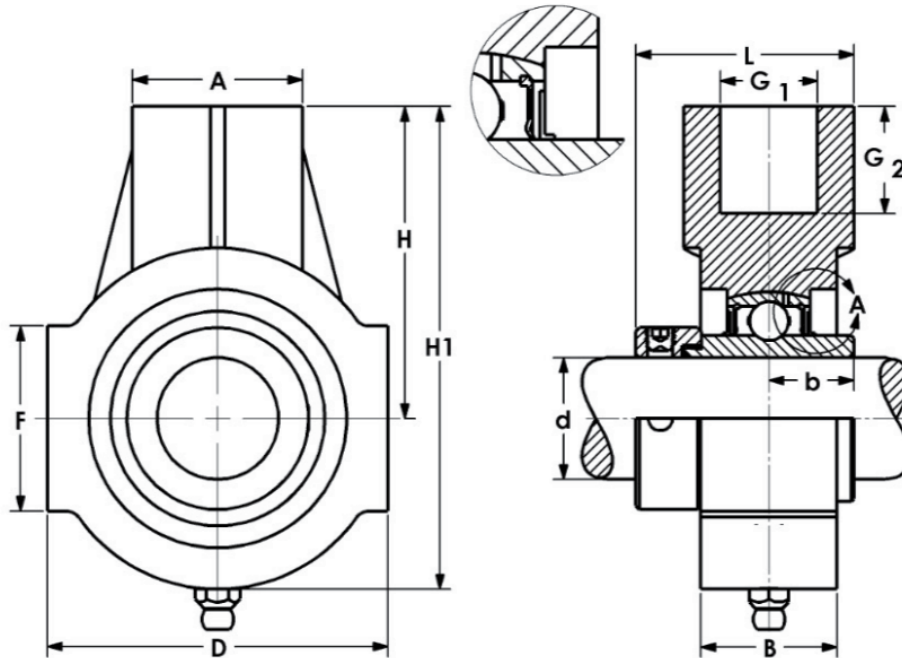
Cast Iron Housing

Eccentric Collar Lock

Metric Bores



Models Available



Part No.	Shaft Size d	Dimensions (mm)										Bearing No.	Housing No.	Wt. kg
		A	B	b	D	F	G <sub>1</sub>	G <sub>2</sub>	H	H <sub>1</sub>	L			
SPK204-20AMM	20	33	25	16.5	65	38	M16 x 2	21	58	91	43.1	HC204-20MM	SPK204	0.7
SPK205-25AMM	25	35	28	17.5	70	38	M20 x 2.5	22	64	99	44.4	HC205-25MM	SPK205	0.8
SPK206-30AMM	30	40	32	20.0	85	40	M24 x 3	24	72	114	50.1	HC206-30MM	SPK206	1.2
SPK207-35AMM	35	40	32	20.0	90	49	M24 x 3	24	76	122	52.3	HC207-35MM	SPK207	1.4
SPK208-40AMM	40	40	36	20.0	100	45	M24 x 3	24	85	135	54.9	HC208-40MM	SPK208	1.9
SPK209-45AMM	45	40	40	20.0	110	46	M24 x 3	24	90	145	54.9	HC209-45MM	SPK209	2.4
SPK210-50AMM	50	40	40	20.0	110	46	M24 x 3	24	90	145	58.1	HC210-50MM	SPK210	2.4
SPK212-60AMM	60	61	42	30.5	143	51	M24 x 3	24	104	175	77.3	HC212-60MM	SPK212	3.8

Note: Set Screw and Adapter Lock Bearings also available from stock. Inch bores on request.

# Hanger Bearing



## HA 200 Euro Series

Normal Duty Bearing

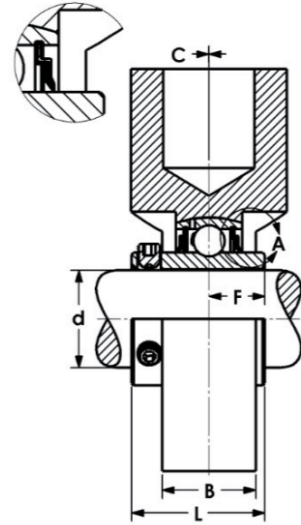
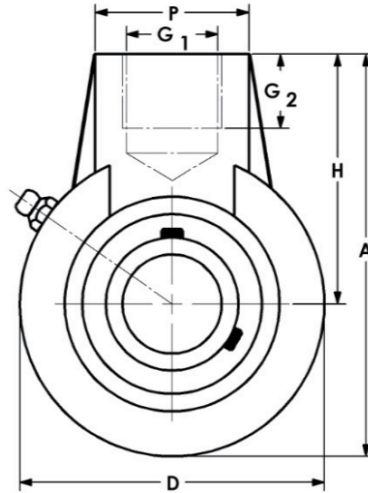
Cast Iron Housing

Set Screw Lock

Metric and Inch Bores



Models Available



Part No.	Shaft Size d		Dimensions (mm) (in)										Bearing No.	Housing No.	Wt. kg
	in	mm	A	B	C	D	F	G <sub>1</sub> (in) BSPP	G <sub>2</sub>	H	L	P			
HA204 x 20UMM	20		96	21	—	64	12.7	—	19	64	31	40	UC204 x 20MM	HA204	0.7
HA204 x 3/4U		3/4	3.78	0.83	—	2.52	0.5	G3/4	0.75	2.52	1.22	1.57	UC204 x 3/4		
HA205 x 25UMM	25		103	24	—	78	14.3	—	19	64	34.1	40	UC205 x 25MM	HA205	1.02
HA205 x 7/8U		7/8	4.06	0.94	—	3.07	0.56	G3/4	0.75	2.52	1.34	1.57	UC205 x 7/8		
HA205 x 15/16U		15/16											UC205 x 15/16		
HA205 x 1U		1											UC205 x 1		
HA206 x 30UMM	30		104	27	—	80	15.9	—	19	64	38.1	40	UC206 x 30MM	HA206	1.2
HA206 x 1-1/8U		1-1/8	4.09	1.06	—	3.15	0.63	G3/4	0.75	2.52	1.50	1.57	UC206 x 1-1/8		
HA206 x 1-3/16U		1-3/16											UC206 x 1-3/16		
HA206 x 1-1/4U		1-1/4											UC206 x 1-1/4		
HA207 x 35UMM	35		116	30	—	92	17.5	—	19	70	42.9	40	UC207 x 35MM	HA207	1.43
HA207 x 1-1/4U		1-1/4	4.57	1.18	—	3.62	0.69	G3/4	0.75	2.76	1.69	1.57	UC207 x 1-1/4		
HA207 x 1-3/8U		1-3/8											UC207 x 1-3/8		
HA207 x 1-7/16U		1-7/16											UC207 x 1-7/16		
HA208 x 40UMM	40		123	32	2.0	100	19.1	—	19	73	49.2	40	UC208 x 40MM	HA208	1.9
HA208 x 1-1/2U		1-1/2	4.84	1.26	0.08	3.94	0.75	G3/4	0.75	2.87	1.94	1.57	UC208 x 1-1/2		
HA209 x 45UMM	45		136	34	5.0	108	19.1	—	21	82	49.2	48	UC209 x 45MM	HA209	2.4
HA209 x 1-5/8U		1-5/8	5.35	1.34	.20	4.25	0.75	G1	0.83	3.23	1.94	1.89	UC209 x 1-5/8		
HA209 x 1-11/16U		1-11/16											UC209 x 1-11/16		
HA209 x 1-3/4U		1-3/4											UC209 x 1-3/4		
HA210 x 50UMM	50		142	36	5.0	118	19.1	—	21	83	51.6	48	UC210 x 50MM	HA210	2.5
HA210 x 1-7/8U		1-7/8	5.59	1.42	.20	4.65	0.75	G1	0.83	3.27	2.03	1.89	UC210 x 1-7/8		
HA210 x 1-15/16U		1-15/16											UC210 x 1-15/16		
HA210 x 2U		2											UC210 x 2		

Note: Eccentric and Adapter Locking Bearings also available from stock.



# Hanger Bearing

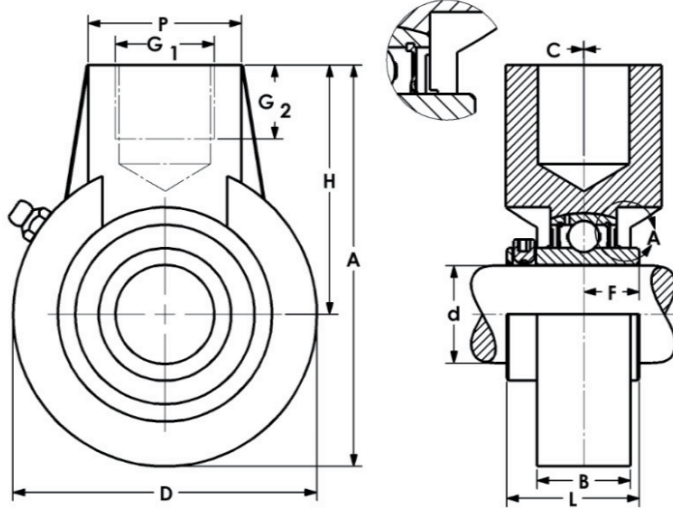


## HA 200 PTI Series

Normal Duty Bearing  
Cast Iron Housing  
Set Screw Lock  
Metric and Inch Bores



Models Available



Part No.	Shaft Size d		Dimensions (mm) (in)										Bearing No.	Housing No.	Wt. kg
	mm	in	A	B	C	D	F	G <sub>1</sub> (in) BSPP	G <sub>2</sub>	H	L	P			
HA204-20UMM	20		96	21	—	64	12.7	—	19	64	31	40	UC204-20MM	HA204	0.7
HA204-12U		3/4	3.78	0.83	—	2.52	0.5	G3/4	0.75	2.52	1.22	1.57	UC204-12		
HA205-25UMM	25		103	24	—	78	14.3	—	19	64	34.1	40	UC205-25MM	HA205	1.02
HA205-14U		7/8	4.06	0.94	—	3.07	0.56	G3/4	0.75	2.52	1.34	1.57	UC205-14		
HA205-15U		15/16											UC205-15		
HA205-16U		1											UC205-16		
HA206-30UMM	30		104	27	—	80	15.9	—	19	64	38.1	40	UC206-30MM	HA206	1.2
HA206-18U		1-1/8	4.09	1.06	—	3.15	0.63	G3/4	0.75	2.52	1.50	1.57	UC206-18		
HA206-19U		1-3/16											UC206-19		
HA206-20U		1-1/4											UC206-20		
HA207-35UMM	35		116	30	—	92	17.5	—	19	70	42.9	40	UC207-35MM	HA207	1.43
HA207-20U		1-1/4	4.57	1.18	—	3.62	0.69	G3/4	0.75	2.76	1.69	1.57	UC207-20		
HA207-22U		1-3/8											UC207-22		
HA207-23U		1-7/16											UC207-23		
HA208-40UMM	40		123	32	2.0	100	19.1	—	19	73	49.2	40	UC208-40MM	HA208	1.9
HA208-24U		1-1/2	4.84	1.26	0.08	3.94	0.75	G3/4	0.75	2.87	1.94	1.57	UC208-24		
HA209-45UMM	45		136	34	5.0	108	19.1	—	21	82	49.2	48	UC209-45MM	HA209	2.4
HA209-26U		1-5/8	5.35	1.34	.20	4.25	0.75	G1	0.83	3.23	1.94	1.89	UC209-26		
HA209-27U		1-11/16											UC209-27		
HA209-28U		1-3/4											UC209-28		
HA210-50UMM	50		142	36	5.0	118	19.1	—	21	83	51.6	48	UC210-50MM	HA210	2.5
HA210-30U		1-7/8	5.59	1.42	.20	4.65	0.75	G1	0.83	3.27	2.03	1.89	UC210-30		
HA210-31U		1-15/16											UC210-31		
HA210-32U		2											UC210-32		

Note: Eccentric and Adapter Lock Bearings also available from stock.

# Cylindrical Units



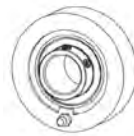
## HLW 200 Euro Series

Normal Duty Bearings

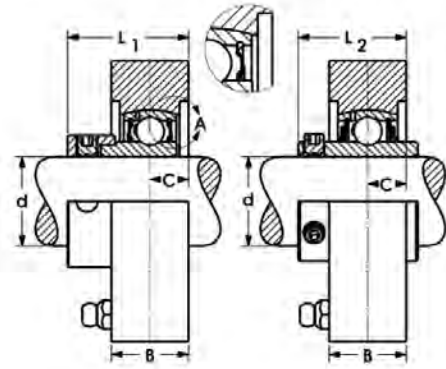
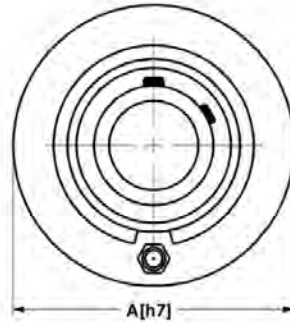
Cast Iron Housing

Eccentric and Set Screw Lock

Metric and Inch Bores



Models Available



Eccentric Lock  
SA Bearing

Set Screw Lock  
UC Bearing

Part No.		Shaft Size d		Dimensions (mm) (in)					Bearing No.		Housing No.	Wt. kg
Eccentric	Set Screw	mm	in	A (h7)	B	C	L <sub>1</sub>	L <sub>2</sub>	Eccentric	Set Screw		
HLW204 x 20MM	HLW204 x 20UMM	20		72	20	10	33.5	28.3	SA204 x 20MM	UC204 x 20MM	HLW204	0.5
HLW204 x 3/4	HLW204 x 3/4U		3/4	2.83	0.79	0.39	1.32	1.11	SA204 x 3/4	UC204 x 3/4		
HLW205 x 25MM	HLW205 x 25UMM	25		80	22	11	34.5	30.8	SA205 x 25MM	UC205 x 25MM	HLW205	0.8
HLW205 x 7/8	HLW205 x 7/8U		7/8	3.15	0.87	0.43	1.36	1.21	SA205 x 7/8	UC205 x 7/8		
HLW205 x 15/16	HLW205 x 15/16U		15/16						SA205 x 15/16	UC205 x 15/16		
HLW205 x 1	HLW205 x 1U		1						SA205 x 1	UC205 x 1		
HLW206 x 30MM	HLW206 x 30UMM	30		85	27	13.5	40.2	35.7	SA206 x 30MM	UC206 x 30MM	HLW206	0.9
HLW206 x 1-1/8	HLW206 x 1-1/8U		1-1/8	3.35	1.06	0.53	1.58	1.41	SA206 x 1-1/8	UC206 x 1-1/8		
HLW206 x 1-3/16	HLW206 x 1-3/16U		1-3/16						SA206 x 1-3/16	UC206 x 1-3/16		
HLW206 x 1-1/4	HLW206 x 1-1/4U		1-1/4						SA206 x 1-1/4	UC206 x 1-1/4		
HLW207 x 35MM	HLW207 x 35UMM	35		90	28	14	43.4	39.4	SA207 x 35MM	UC207 x 35MM	HLW207	1.1
HLW207 x 1-1/4	HLW207 x 1-1/4U		1-1/4	3.54	1.10	0.55	1.71	1.55	SA207 x 1-1/4	UC207 x 1-1/4		
HLW207 x 1-3/8	HLW207 x 1-3/8U		1-3/8						SA207 x 1-3/8	UC207 x 1-3/8		
HLW207 x 1-7/16	HLW207 x 1-7/16U		1-7/16						SA207 x 1-7/16	UC207 x 1-7/16		
HLW208 x 40MM	HLW208 x 40UMM	40		100	30	15	47.7	45.2	SA208 x 40MM	UC208 x 40MM	HLW208	1.4
HLW208 x 1-1/2	HLW208 x 1-1/2U		1-1/2	3.94	1.18	0.59	1.88	1.78	SA208 x 1-1/2	UC208 x 1-1/2		
HLW209 x 45MM	HLW209 x 45UMM	45		110	31	15.5	48.2	45.7	SA209 x 45MM	UC209 x 45MM	HLW209	1.7
HLW209 x 1-5/8	HLW209 x 1-5/8U		1-5/8	4.33	1.22	0.61	1.90	1.80	SA209 x 1-5/8	UC209 x 1-5/8		
HLW209 x 1-11/16	HLW209 x 1-11/16U		1-11/16						SA209 x 1-11/16	UC209 x 1-11/16		
HLW209 x 1-3/4	HLW209 x 1-3/4U		1-3/4						SA209 x 1-3/4	UC209 x 1-3/4		
HLW210 x 50MM	HLW210 x 50UMM	50		120	33	16.5	49.2	49.1	SA210 x 50MM	UC210 x 50MM	HLW210	2.1
HLW210 x 1-7/8	HLW210 x 1-7/8U		1-7/8	4.72	1.30	0.65	1.94	1.93	SA210 x 1-7/8	UC210 x 1-7/8		
HLW210 x 1-15/16	HLW210 x 1-15/16U		1-15/16						SA210 x 1-15/16	UC210 x 1-15/16		
HLW210 x 2	HLW210 x 2U		2						SA210 x 2	UC210 x 2		
HLW211 x 55MM	HLW211 x 55UMM	55		125	35	17.5	53.9	50.9	SA211 x 55MM	UC211 x 55MM	HLW211	2.1
HLW211 x 2	HLW211 x 2U		2	4.92	1.38	0.69	2.12	2	SA211 x 2	UC211 x 2		
HLW211 x 2-1/8	HLW211 x 2-1/8U		2-1/8						SA211 x 2-1/8	UC211 x 2-1/8		
HLW211 x 2-3/16	HLW211 x 2-3/16U		2-3/16						SA211 x 2-3/16	UC211 x 2-3/16		
HLW212 x 60MM	HLW212 x 60UMM	60		130	38	19	58.6	58.7	SA212 x 60MM	UC212 x 60MM	HLW212	2.1
HLW212 x 2-1/4	HLW212 x 2-1/4U		2-1/4	5.12	1.50	0.75	2.31	2.31	SA212 x 2-1/4	UC212 x 2-1/4		
HLW212 x 2-3/8	HLW212 x 2-3/8U		2-3/8						SA212 x 2-3/8	UC212 x 2-3/8		
HLW212 x 2-7/16	HLW212 x 2-7/16U		2-7/16						SA212 x 2-7/16	UC212 x 2-7/16		

Note: Adapter Lock Bearings also available from stock.

# Cylindrical Units



## HLW 200 PTI Series

Normal Duty Bearings

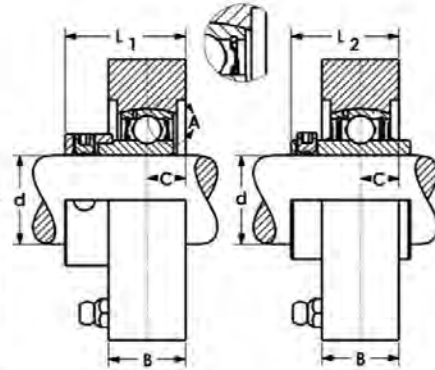
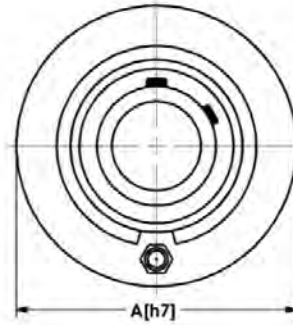
Cast Iron Housing

Eccentric and Set Screw Lock

Metric and Inch Bores



Models Available



Eccentric Lock  
SA Bearing

Set Screw Lock  
UC Bearing

Part No.		Shaft Size d		Dimensions (mm (in))					Bearing No.		Housing No.	Wt. kg
Eccentric	Set Screw	mm	in	A (h7)	B	C	L <sub>1</sub>	L <sub>2</sub>	Eccentric	Set Screw		
HLW204-20MM	HLW204-20UMM	20		72	20	10	34	28.3	SA204-20MM	UC204-20MM	HLW204	0.5
HLW204-12	HLW204-12U		3/4	2.83	0.79	0.39	1.34	1.11	SA204-12	UC204-12		
HLW205-25MM	HLW205-25UMM	25		80	22	11	34.5	30.8	SA205-25MM	UC205-25MM	HLW205	0.8
HLW205-14	HLW205-14U		7/8	3.15	0.87	0.43	1.34	1.21	SA205-14	UC205-14		
HLW205-15	HLW205-15U		15/16						SA205-15	UC205-15		
HLW205-16	HLW205-16U		1						SA205-16	UC205-16		
HLW206-30MM	HLW206-30UMM	30		85	27	13.5	41.2	35.7	SA206-30MM	UC206-30MM	HLW206	0.9
HLW206-18	HLW206-18U		1-1/8	3.35	1.06	0.53	1.62	1.41	SA206-18	UC206-18		
HLW206-19	HLW206-19U		1-3/16						SA206-19	UC206-19		
HLW206-20	HLW206-20U		1-1/4						SA206-20	UC206-20		
HLW207-35MM	HLW207-35UMM	35		90	28	14	44.4	39.4	SA207-35MM	UC207-35MM	HLW207	1.1
HLW207-20	HLW207-20U		1-1/4	3.54	1.10	0.55	1.75	1.55	SA207-20	UC207-20		
HLW207-22	HLW207-22U		1-3/8						SA207-22	UC207-22		
HLW207-23	HLW207-23U		1-7/16						SA207-23	UC207-23		
HLW208-40MM	HLW208-40UMM	40		100	30	15	49.7	45.2	SA208-40MM	UC208-40MM	HLW208	1.4
HLW208-24	HLW208-24U		1-1/2	3.94	1.18	0.59	1.96	1.78	SA208-24	UC208-24		
HLW209-45MM	HLW209-45UMM	45		110	31	15.5	49.7	45.7	SA209-45MM	UC209-45MM	HLW209	1.7
HLW209-26	HLW209-26U		1-5/8	4.33	1.22	0.61	1.96	1.80	SA209-26	UC209-26		
HLW209-27	HLW209-27U		1-11/16						SA209-27	UC209-27		
HLW209-28	HLW209-28U		1-3/4						SA209-28	UC209-28		
HLW210-50MM	HLW210-50UMM	50		120	33	16.5	50.2	49.1	SA210-50MM	UC210-50MM	HLW210	2.1
HLW210-30	HLW210-30U		1-7/8	4.72	1.30	0.65	1.98	1.93	SA210-30	UC210-30		
HLW210-31	HLW210-31U		1-15/16						SA210-31	UC210-31		
HLW210-32	HLW210-32U		2						SA210-32	UC210-32		
HLW211-55MM	HLW211-55UMM	55		125	35	17.5	55.4	50.9	SA211-55MM	UC211-55MM	HLW211	2.1
HLW211-32	HLW211-32U		2	4.92	1.38	0.69	2.18	2	SA211-32	UC211-32		
HLW211-34	HLW211-34U		2-1/8						SA211-34	UC211-34		
HLW211-35	HLW211-35U		2-3/16						SA211-35	UC211-35		
HLW212-60MM	HLW212-60UMM	60		130	38	19	61.1	58.7	SA212-60MM	UC212-60MM	HLW212	2.1
HLW212-36	HLW212-36U		2-1/4	5.12	1.50	0.75	2.41	2.31	SA212-36	UC212-36		
HLW212-38	HLW212-38U		2-3/8						SA212-38	UC212-38		
HLW212-39	HLW212-39U		2-7/16						SA212-39	UC212-39		

Note: Adapter Lock Bearings also available from stock.

# Ball Bearing Inserts



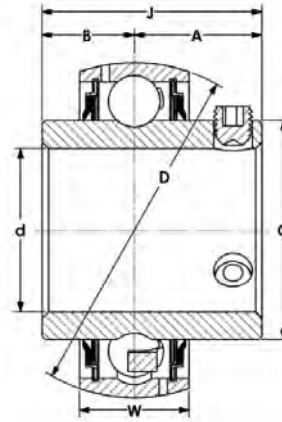
## UC 200 Euro Series

Normal Duty

Set Screw Lock

Metric and Inch Bores

Wide Inner Ring



Part No.	Shaft Size d		Dimensions (mm) (in)						Basic Load Rating C N lbf	Basic Static Load Rating C <sub>0</sub> N lbf	Max rpm	Wt. kg
	mm	in	A	B	C	D	J	W				
UC204 x 20MM UC204 x 3/4	20	3/4	18.3 0.72	12.7 0.50	28.5 1.12	47 1.850	31 1.22	17 0.67	12800 2900	6600 2550	7450	0.4
UC205 x 25MM UC205 x 7/8 UC205 x 15/16 UC205 x 1	25	7/8 15/16 1	19.8 0.78	14.3 0.56	34 1.34	52 2.047	34.1 1.34	17 0.67	14000 3150	7800 1760	6250	0.4
UC206 x 30MM UC206 x 1-1/8 UC206 x 1-3/16 UC206 x 1-1/4	30	1-1/8 1-3/16 1-1/4	22.2 0.87	15.9 0.63	40 1.57	62 2.441	38.1 1.50	19 0.75	19500 4350	11300 2550	5300	0.7
UC207 x 35MM UC207 x 1-1/4 UC207 x 1-3/8 UC207 x 1-7/16	35	1-1/4 1-3/8 1-7/16	25.4 1.0	17.5 0.69	46.7 1.84	72 2.835	42.9 1.69	20 0.79	25500 5800	15300 3450	4500	1.08
UC208 x 40MM UC208 x 1-1/2	40	1-1/2	30.2 1.19	19 0.75	52.7 2.07	80 3.150	49.2 1.94	21 0.83	32500 7300	19800 4450	4000	1.4
UC209 x 45MM UC209 x 1-5/8 UC209 x 1-11/16 UC209 x 1-3/4	45	1-5/8 1-11/16 1-3/4	30.2 1.19	19 0.75	57.3 2.26	85 3.347	49.2 1.94	22 0.87	32500 7400	20400 4600	3700	1.5
UC210 x 50MM UC210 x 1-7/8 UC210 x 1-15/16 UC210 x 2	50	1-7/8 1-15/16 2	32.6 1.28	19 0.75	62.2 2.45	90 3.543	51.6 2.03	24 0.94	35000 7900	23200 5200	3400	1.8
UC211 x 55MM UC211 x 2 UC211 x 2-1/8 UC211 x 2-3/16	55	2 2-1/8 2-3/16	33.4 1.31	22.2 0.87	68.8 2.71	100 3.937	55.6 2.19	25 0.98	43500 9800	29000 6600	3100	2.4
UC212 x 60MM UC212 x 2-1/4 UC212 x 2-3/8 UC212 x 2-7/16	60	2-1/4 2-3/8 2-7/16	39.7 1.56	25.4 1.00	75.4 2.97	110 4.331	65.1 2.56	27 1.06	52000 11800	36000 8100	2800	2.9
UC213 x 65MM UC213 x 2-1/2	65	2-1/2	39.7 1.56	25.4 1.00	82.4 3.24	120 4.724	65.1 2.56	28 1.10	62000 14000	44000 9900	2600	3.9
UC214 x 70MM UC214 x 2-11/16 UC214 x 2-3/4	70	2-11/16 2-3/4	44.4 1.75	30.2 1.19	87 3.43	125 4.921	74.6 2.94	30 1.18	62000 14000	44000 9900	2450	2.3
UC215 x 75MM UC215 x 2-15/16 UC215 x 3	75	2-15/16 3	44.5 1.75	33.3 1.31	92 3.62	130 5.118	77.8 3.06	32 1.26	62000 14000	44500 10100	2300	4.8
UC216 x 80MM UC216 x 3-1/8	80	3-1/8	49.3 1.94	33.3 1.31	98.5 3.88	140 5.512	82.6 3.25	33 1.30	72000 16100	54000 12200	2150	6.4
UC217 x 85MM UC217 x 3-1/4	85	3-1/4	51.6 2.03	34.1 1.35	106.0 4.17	150 5.906	85.7 3.37	35 1.38	86000 19000	63360 14400	2000	7.1
UC218 x 90MM UC218 x 3-1/2	90	3-1/2	56.3 2.22	39.71 1.56	111.7 4.40	160 6.299	96 3.78	37 1.46	102000 23000	79000 17700	1900	9.3
UC220 x 100MM	100	—	70	39.5	137.1	180	109.5	49	122000	93000	1600	12.3



# Ball Bearing Inserts



## SB 200 Euro Series

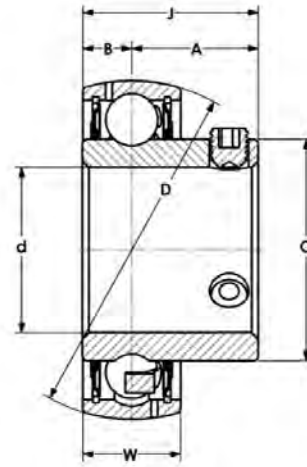
Normal Duty

Set Screw Lock

Metric and Inch Bores

Narrow Inner Ring

Nylon Cage



Part No.	Shaft Size d		Dimensions (mm) (in)						Basic Load Rating C N lbf	Basic Static Load Rating C <sub>0</sub> N lbf	Max rpm	Wt. kg
	mm	in	A	B	C	D	J	W				
SB201 x 12MM	12		16	6.0	24.7	40	22.0	12.0	9600	4750		
SB202 x 15MM	15											
SB203 x 17MM	17											
SB201 x 1/2		1/2	0.63	0.24	0.97	1.575	0.87	0.472	2150	1070	8800	0.15
SB202 x 5/8		5/8										
SB203 x 11/16		11/16										
SB204 x 20MM	20		18	7.56	28.5	47	25.0	14	12800	6600	7450	0.1
SB204 x 3/4		3/4	0.71	0.30	1.12	1.850	0.98	0.551	2400	2550		
SB205 x 25MM	25		19.5	7.56	34.0	52	27.0	15	14000	7800		
SB205 x 7/8		7/8	0.77	0.30	1.34	2.047	1.06	0.591	3150	1760	6250	0.1
SB205 x 15/16		15/16										
SB205 x 1		1										
SB206 x 30MM	30		21	9.04	40.00	62	30.0	18	19500	11300		
SB206 x 1-1/8		1-1/8	0.83	0.36	1.57	2.441	1.18	0.709	4350	2550	5300	0.3
SB206 x 1-3/16		1-3/16										
SB206 x 1-1/4		1-1/4										
SB207 x 35MM	35		25.4	9.55	46.7	72	35.0	19	25500	15300		
SB207 x 1-1/4		1-1/4	1.00	0.38	1.84	2.835	1.38	0.748	5800	3450	4500	0.4
SB207 x 1-3/8		1-3/8										
SB207 x 1-7/16		1-7/16										
SB208 x 40MM	40		29	11.05	52.7	80	39.5	21	3250	19800	4000	0.5
SB208 x 1-1/2		1-1/2	1.14	0.44	2.07	3.150	1.56	0.827	7300	4450		
SB209 x 45MM	45		30.5	11.05	57.3	85	41.5	22	32500	20400		
SB209 x 1-5/8		1-5/8	1.20	0.44	2.26	3.347	1.63	0.866	7400	4600	3700	0.6
SB209 x 1-11/16		1-11/16										
SB209 x 1-3/4		1-3/4										
SB210 x 50MM	50		32	11.05	62.2	90	43.0	22	35000	23200		
SB210 x 1-7/8		1-7/8	1.26	0.44	2.45	3.543	1.69	0.866	7900	5200	3400	0.8
SB210 x 1-15/16		1-15/16										
SB210 x 2		2										
SB211 x 55MM	55		33.5	11.8	69.8	100	45.3	21	43500	29000		
SB211 x 2		2	1.32	0.46	2.75	3.937	1.78	0.827	9800	6600	3100	1.1
SB211 x 2-1/8		2-1/8										
SB211 x 2-3/16		2-3/16										
SB212 x 60MM	60		34	13	76.0	110	47	24	52000	36000		
SB212 x 2-1/4		2-1/4	1.34	0.51	2.99	4.331	1.85	0.94	11800	8100	2800	1.3
SB212 x 2-3/8		2-3/8										
SB212 x 2-7/16		2-7/16										

# Ball Bearing Inserts



**SB 200 PTI Series**

**CSB 200 PTI Series**

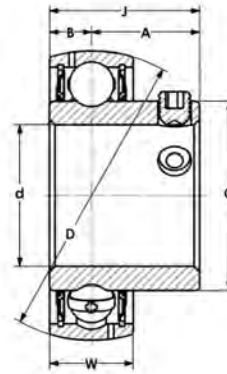
**Normal Duty**

**Set Screw Lock**

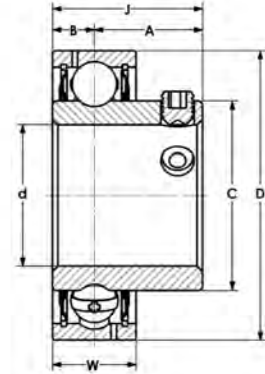
**Metric and Inch Bores**

**Narrow Inner Ring**

**Steel Cage**



Beveled (SB)



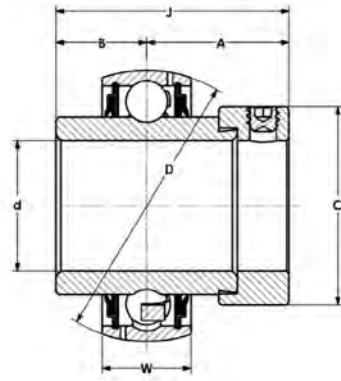
Cylindrical (CSB)

Part No.		Shaft Size d		Dimensions (mm) (in)						Basic Load Rating C <sub>N</sub> lbf	Basic Static Load Rating C <sub>0</sub> N lbf	Max rpm	Wt. kg
Beveled	Cylindrical	mm	in	A	B	C	D	J	W				
SB201-12MM	CSB201-12MM	12		16	6.0	24.7	40	22.0	12.0	9400	4660		
SB202-15MM	CSB202-15MM	15											
SB203-17MM	CSB203-17MM	17											
SB201-8	CSB201-8		1/2	0.63	0.24	0.97	1.575	0.87	0.472	2140	1060	8800	0.15
SB202-10	CSB202-10		5/8										
SB203-11	CSB203-11		11/16										
SB204-20MM	CSB204-20MM	20		18	7.0	28.50	47	25.0	14	12800	6600		
SB204-12	CSB204-12		3/4	0.71	0.28	1.12	1.850	0.98	0.551	2900	2500	7450	0.1
SB205-25MM	CSB205-25MM	25		19.5	7.5	34.01	52	27.0	15	13810	7700		
SB205-14	CSB205-14		7/8	0.77	0.30	1.34	2.047	1.06	0.591	3140	1750	6250	0.1
SB205-15	CSB205-15		15/16										
SB205-16	CSB205-16		1										
SB206-30MM	CSB206-30MM	30		22	8.0	40.00	62	30.0	16	18920	11000		
SB206-17	—		1-1/16	0.87	0.31	1.57	2.441	1.18	0.630	4300	2500	5300	0.3
SB206-18	CSB206-18		1-1/8										
SB206-19	CSB206-19		1-3/16										
SB206-20	CSB206-20		1-1/4										
SB207-35MM	CSB207-35MM	35		23.5	8.5	46.69	72	32.0	17	25430	15130		
SB207-20	CSB207-20		1-1/4	0.93	0.33	1.84	2.835	1.26	0.669	5780	3440	4500	0.4
SB207-22	CSB207-22		1-3/8										
SB207-23	CSB207-23		1-7/16										
SB208-40MM	CSB208-40MM	40		25	9.0	52.70	80	34.0	18	32030	19580		
SB208-24	CSB208-24		1-1/2	0.98	0.35	2.07	3.150	1.34	0.709	7280	4450	4000	0.5
SB209-45MM	CSB209-45MM	45		31	10.2	57.30	85	41.2	19	32500	20400		
SB209-26	CSB209-26		1-5/8	1.22	0.40	2.26	3.347	1.62	0.748	7390	20280	3700	0.6
SB209-27	CSB209-27		1-11/16										
SB209-28	CSB209-28		1-3/4										
SB210-50MM	CSB210-50MM	50		32.6	10.9	62.20	90	43.5	20	35000	22830		
SB210-30	CSB210-30		1-7/8	1.28	0.43	2.45	3.543	1.71	0.787	7900	5190	3400	0.8
SB210-31	CSB210-31		1-15/16										
SB210-32	CSB210-32		2										
SB211-55MM	CSB211-55MM	55		33.5	11.8	69.8	100	45.3	21	43030	28950		
SB211-32	CSB211-32		2	1.32	0.46	2.75	3.937	1.78	0.827	9780	6580	3100	1.1
SB211-34	CSB211-34		2-1/8										
SB211-35	CSB211-35		2-3/16										
SB212-60MM	CSB212-60MM	60		38.8	14.9	76.5	110	53.7	22	52000	35590		
SB212-36	CSB212-36		2-1/4	1.53	0.59	3.01	4.331	2.11	0.866	11800	8090	2800	1.3
SB212-38	CSB212-38		2-3/8										
SB212-39	CSB212-39		2-7/16										

# Ball Bearing Inserts

## HC 200 Euro Series

Normal Duty  
Eccentric Collar Lock  
Metric and Inch Bores  
Wide Inner Ring  
Nylon Cage



Part No.	Shaft Size d		Dimensions (mm) (in)						Basic Load Rating C N lbf	Basic Static Load Rating C <sub>0</sub> N lbf	Max rpm	Wt. kg
	mm	in	A	B	C	D	J	W				
HC204 x 20MM HC204 x 3/4	20	3/4	26.6 1.05	17.1 0.67	33 1.30	47 1.850	43.7 1.72	14 0.55	12800 2900	6600 2550	7450	0.2
HC205 x 25MM HC205 x 7/8 HC205 x 15/16 HC205 x 1	25	7/8 15/16 1	26.9 1.06	17.5 0.69	37.5 1.48	52 2.047	44.4 1.75	15 0.59	14000 3150	7800 1760	6250	0.3
HC206 x 30MM HC206 x 1-1/8 HC206 x 1-3/16 HC206 x 1-1/4	30	1-1/8 1-3/16 1-1/4	30.1 1.19	18.3 0.72	44.4 1.73	62 2.441	48.4 1.91	18 0.71	19500 4350	11300 2550	5300	0.5
HC207 x 35MM HC207 x 1-1/4 HC207 x 1-3/8 HC207 x 1-7/16	35	1-1/4 1-3/8 1-7/16	32.3 1.27	18.8 0.74	51 2.01	72 2.835	51.1 2.01	19 0.75	25500 5800	15300 3450	4500	0.7
HC208 x 40MM HC208 x 1-1/2	40	1-1/2	34.9 1.38	21.4 0.84	58 2.28	80 3.150	56.3 2.22	21 0.83	32500 7300	19800 4450	4000	0.8
HC209 x 45MM HC209 x 1-5/8 HC209 x 1-11/16 HC209 x 1-3/4	45	1-5/8 1-11/16 1-3/4	34.9 1.38	21.4 0.84	63 2.48	85 3.347	56.3 2.22	22 0.87	32500 7400	20400 4600	3700	1.1
HC210 x 50MM HC210 x 1-7/8 HC210 x 1-15/16 HC210 x 2	50	1-7/8 1-15/16 2	38.1 1.50	24.6 0.98	69 2.72	90 3.543	62.7 2.47	22 0.87	35000 7900	23200 5200	3400	1.2
HC211 x 55MM HC211 x 2 HC211 x 2-1/8 HC211 x 2-3/16	55	2 2-1/8 2-3/16	43.6 1.72	27.8 1.10	76 2.99	100 3.937	71.4 2.81	25 0.98	43500 9800	29000 6600	3100	1.4
HC212 x 60MM HC212 x 2-1/4 HC212 x 2-3/8 HC212 x 2-7/16	60	2-1/4 2-3/8 2-7/16	46.8 1.84	31 1.22	84 3.31	110 4.331	77.8 3.06	24 0.94	52000 11800	36000 8100	2800	1.8
HC213 x 65MM HC213 x 2-1/2	65	2-1/2	44.6 1.76	21.5 0.85	96 3.78	120 4.724	66.1 2.60	28 1.10	62000 14000	44000 9900	2600	2.7
HC214 x 70MM HC214 x 2-11/16 HC214 x 2-3/4	70	2-11/16 2-3/4	44.6 1.76	21.5 0.85	96 3.78	125 4.921	66.1 2.60	28 1.10	62000 14000	44000 9900	2450	2.6
HC215 x 75MM HC215 x 2-15/16 HC215 x 3	75	2-15/16 3	45.6 1.80	21.5 0.85	100 3.94	130 5.118	67.1 2.64	28 1.10	62000 14000	44500 10100	2300	2.9
HC216 x 80MM HC216 x 3-1/8	80	3-1/8	47.6 1.87	23.4 0.92	108 4.25	140 5.512	71.0 2.80	30 1.26	72000 16100	54000 12000	2150	3.2
HC218 x 90MM HC218 x 3-1/2	90	3-1/2	46.5 1.83	23 0.91	118 4.65	160 6.299	69.5 2.74	32 1.26	102000 23000	79000 17700	1900	5.0
HC220 x 100MM	100	—	49.5	25.5	132	180	75.0	36	122000	93000	1600	4.7
HC224 x 120MM	120	—	52.5	28.5	152	215	81.0	40	155000	131000	1500	7.0

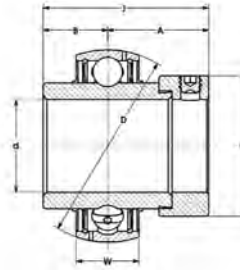


# Ball Bearing Inserts



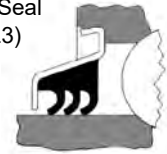
## HC 200 PTI Series

Normal Duty, Wide Inner Ring  
Eccentric Collar Lock  
Metric and Inch Bores  
Steel Cage  
Triple Lip Seal Option



Triple Lip Seal  
option (L3)

Other Triple Lip  
Seal sizes on  
request.



Part No.	Part No. Triple Lip Seal	Shaft Size d		Dimensions (mm) (in)						Basic Load Rating C <sub>N</sub> lbf	Basic Static Load Rating C <sub>0</sub> N lbf	Max rpm	Wt. kg
		mm	in	A	B	C	D	J	W				
HC201-8(40) HC202-10(40)	—		1/2 5/8	23.4 0.92	13.9 0.55	28.6 1.13	40 1.57	37.3 1.47	15 0.59	9570 2170	4700 1065	8800	0.16
HC201-12MM HC202-15MM HC203-17MM HC201-8 HC202-10 HC203-11	—	12 15 17	1/2 5/8 11/16	26.6 1.05	17.1 0.67	33.3 1.31	47 1.850	43.7 1.72	17 0.67	12800 2900	6600 2500	7450	0.2
HC204-20MM HC204-12	— HC204-12-L3	20	3/4	26.6 1.05	17.1 0.67	33.3 1.31	47 1.850	43.7 1.72	17 0.67	12800 2900	6600 2500	7450	0.2
HC205-25MM HC205-14 HC205-15 HC205-16	— — — HC205-16-L3	25	7/8 15/16 1	26.9 1.06	17.5 0.69	38.1 1.50	52 2.047	44.4 1.75	17 0.67	13810 3140	7700 1750	6250	0.3
HC206-30MM HC206-18 HC206-19 HC206-20	— — HC206-19-L3 HC206-20-L3	30	1-1/8 1-3/16 1-1/4	30.1 1.19	18.3 0.72	44.5 1.75	62 2.441	48.4 1.91	19 0.75	18920 4300	11000 2500	5300	0.5
HC207-35MM HC207-20 HC207-22 HC207-23	— HC207-20-L3 HC207-22-L3 HC207-23-L3	35	1-1/4 1-3/8 1-7/16	32.3 1.27	18.8 0.74	55.6 2.19	72 2.835	51.1 2.01	20 0.79	25430 5780	15130 3440	4500	0.7
HC208-40MM HC208-24	— HC208-24-L3	40	1-1/2	34.9 1.38	21.4 0.84	60.3 2.37	80 3.150	56.3 2.22	21 0.83	32030 7280	19580 4450	4000	0.8
HC209-45MM HC209-26 HC209-27 HC209-28	— — — HC209-28-L3	45	1-5/8 1-11/16 1-3/4	34.9 1.38	21.4 0.84	63.5 2.50	85 3.347	56.3 2.22	22 0.87	32500 7390	20280 4610	3700	1.1
HC210-50MM HC210-30 HC210-31 HC210-32	— — HC210-31-L3 HC210-32-L3	50	1-7/8 1-15/16 2	38.1 1.50	24.6 0.97	69.9 2.75	90 3.543	62.7 2.47	24 0.94	35000 7900	22830 5190	3400	1.2
HC211-55MM HC211-32 HC211-34 HC211-35	— HC211-32-L3 — HC211-35-L3	55	2 2-1/8 2-3/16	43.6 1.71	27.8 1.10	76.2 3.00	100 3.937	71.4 2.81	25 0.98	43030 9780	28950 6580	3100	1.4
HC212-60MM HC212-36 HC212-38 HC212-39	— — — —	60	2-1/4 2-3/8 2-7/16	46.8 1.84	31 1.22	84.2 3.31	110 4.331	77.8 3.06	27 1.06	52000 11800	35590 8090	2800	1.8
HC213-65MM HC213-40	— —	65	2-1/2	51.6 2.03	34.1 1.34	86 3.39	120 4.724	85.7 3.37	28 1.10	60720 13800	43510 9890	2600	2.7
HC214-70MM HC214-43 HC214-44	— — —	70	2-11/16 2-3/4	51.6 2.03	34.1 1.34	90 3.54	125 4.921	85.7 3.37	30 1.18	61160 13900	44000 9900	2450	2.6
HC215-75MM HC215-47 HC215-48	— — —	75	2-15/16 3	54.8 2.16	37.3 1.47	102 4.02	130 5.118	92.1 3.63	32 1.26	62000 14000	44220 10050	2300	2.9
HC216-80MM HC216-50	— —	80	3-1/8	47.6 1.87	23.4 0.92	108 4.25	140 5.512	71.0 2.80	30 1.18	70400 16000	54000 12200	2150	3.2
HC217-85MM HC217-52	— —	85	3-1/4	49.8 1.96	23.4 0.92	119 4.69	150 5.91	73.2 2.88	35 1.38	83160 18900	63800 14340	2000	4.1
HC218-90MM HC218-56	— —	90	3-1/2	46.5 1.83	23 0.91	118 4.65	160 6.299	69.5 2.74	36 1.112	100760 22900	77440 17600	1900	5.0
HC220-100MM HC224-120MM	— —	100 120	— —	49.5 52.5	25.5 28.5	132 152	180 215	75.0 81.0	36 40	122000 155000	93000 131000	1600 1500	4.7 7.0

Introduction

Mounted Ball Bearings

SRE / SR2 Spherical Bearings

SAF / Plummer Blocks

Brq. Accessories, Radial Ball, & EICH Bearings

Rod Ends & Spherical Plain Bearings

Roller Chain & Sprockets

Bushings & Hubs

Gears & Racks

Belt Drives / Couplings

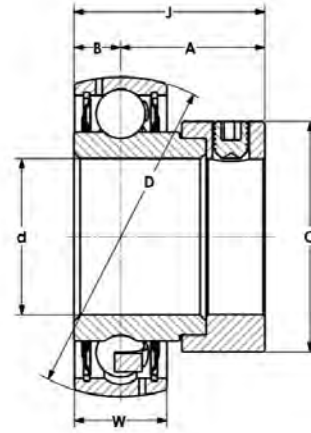
Linear Motion / WINKEL

# Ball Bearing Inserts



## SA 200 Euro Series

Normal Duty  
Eccentric Collar Lock  
Metric and Inch Bores  
Narrow Inner Ring  
Nylon Cage



Beveled

Part No.	Shaft Size d		Dimensions (mm) (in)						Basic Load Rating C N lbf	Basic Static Load Rating C <sub>0</sub> N lbf	Max rpm	Wt. kg
	mm	in	A	B	C	D	J	W				
SA201 x 12MM SA202 x 15MM SA203 x 17MM	12 15 17		22.1 22.1 22.1	6.5 6.5 6.5	28.5 28.5 28.5	40 40 40	28.6 28.6 28.6	12.0 12.0 12.0	9600 9600 9600	4750 4750 4750	8800 8800 8800	0.15 0.15 0.15
SA201 x 1/2 SA202 x 5/8 SA203 x 11/16		1/2 5/8 11/16	0.87 0.87 0.87	.26 .26 .26	1.12 1.12 1.12	1.575 1.575 1.575	1.13 1.13 1.13	0.472 0.472 0.472	2150 2150 2150	1070 1070 1070	8800 8800 8800	0.15 0.15 0.15
SA204 x 20MM SA204 x 3/4	20		23.5 23.5	7.5 7.5	33.3 33.3	47 47	31 31	14 14	12800 2900	6600 2550	7450 7450	0.2 0.2
SA205 x 25MM SA205 x 7/8 SA205 x 15/16 SA205 x 1	25		23.5 23.5 23.5 23.5	7.5 7.5 7.5 7.5	38.1 38.1 38.1 38.1	52 52 52 52	31 31 31 31	15 15 15 15	14000 3150	7800 1760	6250 6250 6250 6250	0.2 0.2 0.2 0.2
SA206 x 30MM SA206 x 1-1/8 SA206 x 1-3/16 SA206 x 1-1/4	30		26.7 26.7 26.7 26.7	9 9 9 9	44.4 44.4 44.4 44.4	62 62 62 62	35.7 35.7 35.7 35.7	18 18 18 18	19500 4350	11300 2550	5300 5300 5300 5300	0.4 0.4 0.4 0.4
SA207 x 35MM SA207 x 1-1/4 SA207 x 1-3/8 SA207 x 1-7/16	35		29.4 29.4 29.4 29.4	9.5 9.5 9.5 9.5	55.5 55.5 55.5 55.5	72 72 72 72	38.9 38.9 38.9 38.9	19 19 19 19	25500 5800	15300 3450	4500 4500 4500 4500	0.6 0.6 0.6 0.6
SA208 x 40MM SA208 x 1-1/2	40		32.7 32.7	11.0 11.0	60.3 60.3	80 80	43.7 43.7	21 21	32500 7300	19800 4450	4000 4000	0.7 0.7
SA209 x 45MM SA209 x 1-5/8 SA209 x 1-11/16 SA209 x 1-3/4	45		32.7 32.7 32.7 32.7	11.0 11.0 11.0 11.0	63.5 63.5 63.5 63.5	85 85 85 85	43.7 43.7 43.7 43.7	22 22 22 22	32500 7400	20400 4600	3700 3700 3700 3700	0.9 0.9 0.9 0.9
SA210 x 50MM SA210 x 1-7/8 SA210 x 1-15/16 SA210 x 2	50		32.7 32.7 32.7 32.7	11.0 11.0 11.0 11.0	69.8 69.8 69.8 69.8	90 90 90 90	43.7 43.7 43.7 43.7	22 22 22 22	35000 7900	23200 5200	3400 3400 3400 3400	1.0 1.0 1.0 1.0
SA211 x 55MM SA211 x 2 SA211 x 2-1/8 SA211 x 2-3/16	55		36.4 36.4 36.4 36.4	12 12 12 12	76.2 76.2 76.2 76.2	100 100 100 100	48.4 48.4 48.4 48.4	25 25 25 25	43500 9800	29000 6600	3100 3100 3100 3100	1.0 1.0 1.0 1.0
SA212 x 60MM SA212 x 2-1/4 SA212 x 2-3/8 SA212 x 2-7/16	60		39.6 39.6 39.6 39.6	13.5 13.5 13.5 13.5	84.1 84.1 84.1 84.1	110 110 110 110	53.1 53.1 53.1 53.1	24 24 24 24	52000 11800	36000 8100	2800 2800 2800 2800	1.4 1.4 1.4 1.4

# Ball Bearing Inserts



SA 200 PTI Series

CSA 200 PTI Series

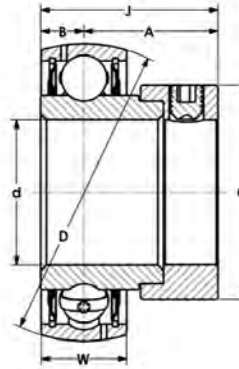
Normal Duty

Eccentric Collar Lock

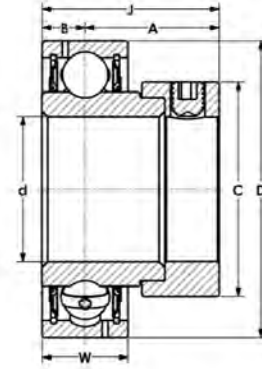
Metric and Inch Bores

Narrow Inner Ring

Steel Cage



Beveled (SA)



Cylindrical (CSA)

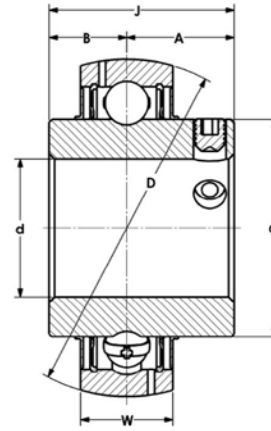
Part No.		Shaft Size d		Dimensions (mm) (in)						Basic Load Rating C N lbf	Basic Static Load Rating C <sub>0</sub> N lbf	Max rpm	Wt. kg
Beveled	Cylindrical	mm	in	A	B	C	D	J	W				
SA201-12MM	CSA201-12MM	12		22.6	6.0	28.6	40	28.6	12.0	9400	4660	8800	0.15
SA202-15MM	CSA202-15MM	15											
SA203-17MM	CSA203-17MM	17											
SA201-8	CSA201-8		1/2	0.89	0.24	1.12	1.575	1.13	0.472	2140	1060		
SA202-10	CSA202-10		5/8										
SA203-11	CSA203-11		11/16										
SA204-20MM	CSA204-20MM	20		24	7.0	33.3	47	31	14	12800	6600	7450	0.2
SA204-12	CSA204-12		3/4	0.94	0.28	1.31	1.850	1.22	0.551	2900	2500		
SA205-25MM	CSA205-25MM	25		23.5	7.5	38.1	52	31	15	13810	7700	6250	0.2
SA205-14	CSA205-14		7/8	0.93	0.29	1.50	2.047	1.22	0.591	3140	1750		
SA205-15	CSA205-15		15/16										
SA205-16	CSA205-16		1										
SA206-30MM	CSA206-30MM	30		27.7	8	44.5	62	35.7	16	18920	11000	5300	0.4
SA206-18	CSA206-18		1-1/8	1.09	0.31	1.75	2.441	1.41	0.630	4300	2500		
SA206-19	CSA206-19		1-3/16										
SA206-20	CSA206-20		1-1/4										
SA207-35MM	CSA207-35MM	35		30.4	8.5	55.6	72	38.9	17	25430	15130	4500	0.6
SA207-20	CSA207-20		1-1/4	1.2	0.33	2.19	2.835	1.53	0.669	5780	3440		
SA207-22	CSA207-22		1-3/8										
SA207-23	CSA207-23		1-7/16										
SA208-40MM	CSA208-40MM	40		34.7	9.0	60.3	80	43.7	18	32030	19580	4000	0.7
SA208-24	CSA208-24		1-1/2	1.37	0.35	2.37	3.150	1.72	0.709	7280	4450		
SA209-45MM	CSA209-45MM	45		34.2	9.5	63.5	85	43.7	19	32500	20280	3700	0.9
SA209-26	CSA209-26		1-5/8	1.35	0.37	2.50	3.347	1.72	0.748	7390	4610		
SA209-27	CSA209-27		1-11/16										
SA209-28	CSA209-28		1-3/4										
SA210-50MM	CSA210-50MM	50		33.7	10.0	69.9	90	43.7	20	35000	22830	3400	1.0
SA210-30	CSA210-30		1-7/8	1.33	0.39	2.75	3.543	1.72	0.787	7900	5190		
SA210-31	CSA210-31		1-15/16										
SA210-32	CSA210-32		2										
SA211-55MM	CSA211-55MM	55		37.9	10.5	76.2	100	48.4	21	43030	28950	3100	1.0
SA211-32	CSA211-32		2	1.49	0.41	3.0	3.937	1.91	0.827	9780	6580		
SA211-34	CSA211-34		2-1/8										
SA211-35	CSA211-35		2-3/16										
SA212-60MM	CSA212-60MM	60		42.1	11	84.2	110	53.1	22	52000	35590	2800	1.4
SA212-36	CSA212-36		2-1/4	1.66	0.43	3.31	4.331	2.09	0.866	11800	8090		
SA212-38	CSA212-38		2-3/8										
SA212-39	CSA212-39		2-7/16										

# Medium Duty Ball Bearing Inserts



## UCX PTI Series

Medium Duty  
Set Screw Lock  
Metric and Inch Bores  
Steel Cage



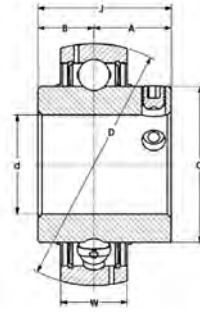
Part No.	Shaft Size d		Dimensions (mm) (in)						Basic load ratings		Max rpm	Wt. kg
	mm	in	A	B	C	D	J	W	Dynamic	Static		
									C kn lbf	C kn lbf		
UCX05-25MM	25		22.2	15.9	40	62	38.1	19	19000	11100	5300	0.4
UCX05-16		1	0.87	0.63	1.57	2.441	1.50	0.75	4400	2540		
UCX06-30MM	30		25.4	17.5	46.7	72	42.9	20	25500	15180	4500	0.5
UCX06-18		1-1/8	1.00	0.69	1.84	2.835	1.69	0.79	5800	3450		
UCX06-19		1-3/16										
UCX06-20		1-1/4										
UCX07-35MM	35		30.2	19.1	52.7	80	49.2	21	28930	17640	4000	0.6
UCX07-20		1-1/4	1.19	0.75	2.07	3.150	1.94	0.83	6575	4010		
UCX07-23		1-7/16										
UCX08-40MM	40		30.2	19.1	57.3	85	49.2	22	32490	20240	3700	0.7
UCX08-24		1-1/2	1.19	0.75	2.26	3.346	1.94	0.87	7385	4600		
UCX09-45MM	45		32.6	19.1	62.2	90	51.6	24	34760	22880	3400	0.9
UCX09-27		1-11/16	1.28	0.75	2.45	3.543	2.03	0.94	7900	5200		
UCX09-28		1-3/4										
UCX10-50MM	50		33.4	22.2	68.8	100	55.6	25	42680	29040	3100	1.1
UCX10-31		1-15/16	1.31	0.87	2.71	3.937	2.19	0.98	9700	6600		
UCX10-32		2										
UCX11-55MM	55		39.7	25.4	75.4	110	65.1	27	51920	35860	2800	1.5
UCX11-35		2-3/16	1.56	1.00	2.97	4.331	2.56	1.06	11800	8150		
UCX11-36		2-1/4										
UCX12-60MM	60		39.7	25.4	82.1	120	65.1	28	56760	39680	2600	2
UCX12-39		2-7/16	1.56	1.00	3.23	4.724	2.56	1.10	12900	9020		
UCX13-60MM	60		44.4	30.2	87	125	74.6	30	61600	43560	2450	2.3
UCX13-65MM	65		1.75	1.19	3.43	4.921	2.94	1.18	14000	9900		
UCX13-39		2-7/16										
UCX13-40		2-1/2										
UCX14-70MM	70		44.5	33.3	92	130	77.8	32	65560	66560	2300	2.6
UCX14-43		2-11/16	1.75	1.31	3.62	5.118	3.06	1.26	14900	10800		
UCX15-75MM	75		49.3	33.3	98.5	140	82.6	33	71280	52320	2150	3.2
UCX15-47		2-15/16	1.94	1.31	3.88	5.512	3.25	1.30	16200	11890		
UCX15-48		3										
UCX16-80MM	80		51.6	34.1	105	150	85.7	35	82200	61160	2100	4.1
UCX16-50		3-1/8	2.03	1.34	4.13	5.906	3.37	1.38	18700	13900		
UCX17-85MM	85		56.3	39.7	111.7	160	96	37	94380	70400	2000	5
UCX17-55		3-7/16	2.22	1.56	4.4	6.299	3.78	1.46	21450	16000		
UCX17-56		3-1/2										
UCX18-90MM	90		61.1	42.9	118	170	104	38	107360	80520	1900	5.5
UCX18-56		3-1/2	2.41	1.69	4.65	6.693	4.09	1.50	24400	18300		
UCX20-100MM	100		68.3	49.2	132.5	190	117.5	42	133000	104000	1700	9.2
UCX20-63		3-15/16	2.69	1.94	5.22	7.480	4.63	1.65	30000	23500		
UCX20-64		4										

# Ball Bearing Inserts



## UC 300 PTI Series

Heavy Duty  
Set Screw Lock  
Metric and Inch Bores  
Wide Inner Ring  
Steel Cage



Part No.	Shaft Size d		Dimensions (mm) (in)						Basic load ratings		Max rpm	Wt. kg
	mm	in	A	B	C	D	J	W	Dynamic	Static		
									CN lbf	C <sub>0</sub> N lbf		
UC305-25MM	25		23	15	36.9	62	38	21	20600	11200	5900	.5
UC305-14		7/8	0.906	0.59	1.45	2.4409	1.496	0.812	4700	2500		
UC305-16		1										
UC306-30MM	30		26	17	45	72	43	23	26700	15000	5200	.6
UC306-18		1-1/8	1.024	0.67	1.77	2.846	1.693	0.905	6070	3400		
UC306-19		1-3/16										
UC307-35MM	35		29	19	50.5	80	48	25	32900	19200	4200	.7
UC307-20		1-1/4	1.142	0.75	1.99	3.1496	1.890	0.984	7480	4400		
UC307-22		1-3/8	1.142	0.75	1.99	3.1496	1.890	0.984	7480	4400		
UC307-23		1-7/16										
UC308-40MM	40		33	19	56	90	52	27	40260	23540	3900	1.0
UC308-24		1-1/2	1.299	0.75	2.21	3.5433	2.047	1.063	9150	5350		
UC309-45MM	45		35	22	63	100	57	30	50600	28820	3300	1.3
UC309-27		1-11/16	1.378	0.87	2.48	3.937	2.244	1.181	11500	6550		
UC309-28		1-3/4										
UC310-50MM	50		39	22	70.5	110	61	32	61600	37400	3100	1.7
UC310-30		1-7/8	1.535	0.87	3.78	4.3307	2.402	1.260	14000	8500		
UC310-31		1-15/16										
UC311-55MM	55		41	25	76.5	120	66	34	70400	44500	2700	2.1
UC311-32		2	1.614	0.98	3.01	4.7244	2.598	1.338	16000	10100		
UC311-35		2-3/16										
UC312-60MM	60		45	26	82.5	130	71	36	79200	51480	2400	2.6
UC312-39		2-7/16	1.772	1.02	3.25	5.1181	2.795	1.417	18000	11700		
UC313-65MM	65		45	30	88.5	140	75	38	92500	60000	2300	3.2
UC313-40		2-1/2	1.772	1.18	3.48	5.5118	2.953	1.496	21000	13600		
UC314-70MM	70		45	33	95	150	78	40	103400	68000	2100	3.8
UC314-44		2-3/4	1.772	1.30	3.75	5.9055	3.071	1.574	23500	15400		
UC315-75MM	75		50	32	101.5	160	82	42	112200	76340	1900	5.0
UC315-47		2-15/16	1.969	1.26	4.0	6.2992	3.228	1.653	25500	17350		
UC315-48		3	1.969	1.26	4.0	6.2992	3.228	1.653	25500	17350		
UC316-80MM	80		52	34	108	170	86	44	123000	85800	1850	5.4
UC316-51		3-3/16	2.047	1.34	4.25	6.6929	3.386	1.732	27500	19500		
UC317-85MM	85		56	40	114.5	180	96	46	131120	94600	1800	6.6
UC317-52		3-1/4	2.205	1.58	4.51	7.0866	3.780	1.811	29800	21500		
UC318-90MM	90		56	40	121	190	96	48	140800	105600	1650	7.3
UC318-56		3-1/2	2.205	1.58	4.76	7.4803	3.780	1.890	32000	24000		
UC319-95MM	95		62	41	127.5	200	103	50	151800	118800	1575	8.7
UC319-60		3-3/4	2.441	1.61	5.02	7.874	4.055	1.968	34500	27000		
UC320-100MM	100		66	42	135.5	215	108	54	171600	141000	1475	10.8
UC320-63		3-15/16	2.598	1.65	5.33	8.4646	4.252	2.126	39000	32000		
UC320-64		4										
UC321-105MM	105	—	68	44	142	225	112	56	182000	152000	1250	12.4
UC322-110MM	110	—	71	46	152	240	117	60	205000	178000	1200	14.5
UC324-120MM	120	—	75	51	165	260	126	64	207000	185000	1175	18.8
UC326-130MM	130	—	81	54	178	280	135	68	229000	215000	1175	23.3
UC328-140MM	140	—	86	59	191.5	300	145	73	255000	246000	1175	28.9

Introduction

Mounted Ball Bearings

SRE / SR2 Spherical Bearings

SAF / Plummer Blocks

Brg. Accessories, Radial Ball, & EICH Bearings

Rod Ends & Spherical Plain Bearings

Roller Chain & Sprockets

Bushings & Hubs

Gears & Racks

Belt Drives / Couplings

Linear Motion / WINKEL

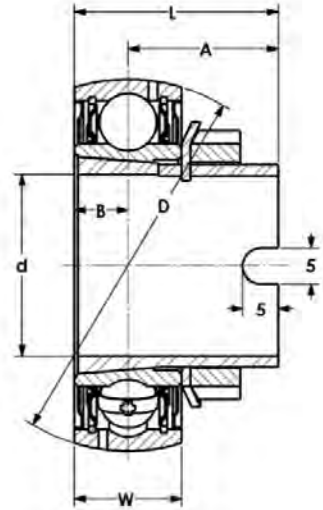
# Ball Bearing Inserts and Accessories



## GSH PTI Series

**Thin Sleeve Adapter Lock**  
**Normal Duty**  
**Metric and Inch Bores**  
**Steel Cage**

The GSH Insert interchanges with the UC, HC and CL Insert sizes within the same housing and shaft size. The UK Series Housing, also an Adapter Mount, requires the next larger housing size for the same shaft size.



Bearing Assembly Part No.	Bearing Only Part No.	Adapter Part No.	Shaft Size d		Dimensions (mm) (in)					Basic Load Ratings		Max rpm	Wt. kg
			mm	in	A	B	D	L	W	Dynamic C N 1b <sub>f</sub>	Static C <sub>0</sub> N 1b <sub>f</sub>		
GSH204-20MM GSH204-12	GSH204	H204GSH-20MM	20		18.9	7.5	47	28	14	12700	6600	6250	0.14
H204GSH-12			3/4	0.75	0.30	1.850	1.10	0.55	2860	1490			
GSH205-25MM GSH205-15 GSH205-16	GSH205	H205GSH-25MM	25		17	7.5	52	28	15	13600	7800	5300	0.17
H205GSH-15			15/16	0.67	0.30	2.047	1.10	0.59	3060	1760			
H205GSH-16			1										
GSH206-30MM GSH206-19 GSH206-20	GSH206	H206GSH-30mm	30		22.7	9	62	32	18	18900	11300	4500	0.27
H206GSH-19			1-3/16	0.89	0.35	2.441	1.26	0.71	4260	2550			
H206GSH-20			1-1/4										
GSH207-35MM GSH207-20 GSH207-22	GSH207	H207GSH-35MM	35		24.6	9.5	72	34	19	24900	15300	4000	0.43
H207GSH-20			1-1/4	0.97	0.37	2.895	1.34	0.75	5610	3450			
H207GSH-22			1-3/8										
GSH208-40MM GSH208-24	GSH208	H208GSH-40MM	40		27.9	11	80	38	21	29500	19800	3700	0.54
H208GSH-24			1-1/2	1.10	0.43	3.150	1.50	0.83	6650	4460			
GSH209-45MM GSH209-28	GSH209	H209GSH-45MM	45		27.6	11	85	38	22	32000	19900	3400	0.54
H209GSH-28			1-3/4	1.09	0.43	3.347	1.50	0.87	7210	4485			
GSH210-50MM GSH210-31 GSH210-32	GSH210	H210GSH-50MM	50		26.4	11	90	40	22	33000	19900	3100	0.54
H210GSH-31			1-15/16	1.04	0.43	3.543	1.57	0.87	7430	4485			
H210GSH-32			2										

Note: Bearing Assembled with Adapter Sleeve, Lockwasher and Nut.

# Ball Bearing Inserts and Accessories



## UK 200 PTI Series

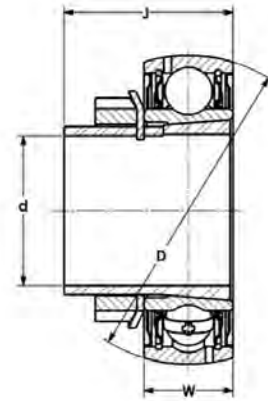
Normal Duty

Adapter Sleeve Lock

Metric and Inch Bores

Steel Cage

This adapter mounted bearing grips the shaft concentrically when tightened. These are ideal for higher speeds and help reduce vibration due to mounting.



Bearing Only Part No. **	Shaft Size d		Adapter Sleeve		Dimensions (mm)			Basic Load Ratings		Max rpm	Wt. kg
	mm	in	Metric Adapter Sleeve Part No.	Inch Adapter Sleeve Part No.	D	W	J	Dynamic C N lbf	Static C <sub>0</sub> N lbf		
UK205	20	3/4	H2305 x 20MM	H2305 x 3/4	52	15	35	13810 3140	7700 1750	6250	0.20
UK206	25	7/8 15/16 1	H2306 x 25MM	SNW06 x 7/8 H2306 x 15/16 H2306 x 1	62	16	38	18920 4300	11000 2500	5300	0.30
UK207	30	1-3/16	H2307 x 30MM	H2307 x 1-3/16	72	17	43	25430 5780	15130 3440	4500	0.4
UK208	35	1-1/4 1-3/8	H2308 x 35MM	H2308 x 1-1/4 SNW08 x 1-3/8	80	18	46	32030 7280	19580 4450	4000	0.5
UK209	40	1-7/16 1-1/2 1-5/8	H2309 x 40MM	H2309 x 1-7/16 H2309 x 1-1/2 H2309 x 1-5/8	85	19	50	23500 7390	20280 4610	3700	0.6
UK210	45	1-11/16 1-3/4	H2310 x 45MM	H2310 x 1-11/16 H2310 x 1-3/4	90	20	55	35000 7900	22830 5190	3400	0.8
UK211	50	1-7/8 1-15/16 2	H2311 x 50MM	SNW111 x 1-7/8 H2311 x 1-15/16 H2311 x 2	100	21	59	43030 9780	28950 6580	3100	1.0
UK212	55	—	H2312 x 55MM	—	110	22	62	52000 11800	35590 8090	2800	1.6
UK213	60	2-3/16 2-1/4	H2313 x 60MM	H2313 x 2-3/16 H2313 x 2-1/4	120	23	65	60720 13800	43510 9890	2600	2.0
UK215	65	2-7/16 2-1/2	H2315 x 65MM	H2315 x 2-7/16 H2315 x 2-1/2	130	25	73	62000 14000	44220 10050	2300	2.9
UK216	70	2-11/16 2-3/4	H2316 x 70MM	H2316 x 2-11/16 H2316 x 2-3/4	140	26	78	70400 16000	54000 12200	2150	3.2
UK217	75	2-15/16 3	H2317 x 75MM	H2317 x 2-15/16 H2317 x 3	150	34	82	83160 18900	63360 14400	2000	4.0
UK218	80	3-1/8	H2318 x 80MM	H2318 x 3-1/8	160	36	86	100760 22900	77440 17600	1900	4.8

Note: Inch bores can use optional SNW Adapters. See adapter section for sizes available. Spanner Wrenches available.

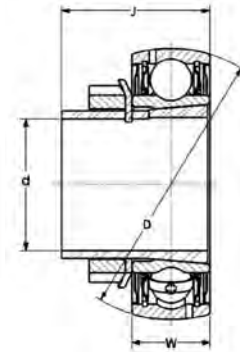
\*\* Order Adapter Sleeve separately.

# Ball Bearing Inserts and Accessories



## UK 300 PTI Series

**Heavy Duty**  
**Adapter Sleeve Lock**  
**Metric and Inch Bores**  
**Steel Cage**



This adapter mounted bearing grips the shaft concentrically when tightened. These are ideal for higher speeds and help reduce vibration due to mounting.

Bearing Only Part No. **	Shaft Size d		Adapter Sleeve		Dimensions (mm)			Basic Load Ratings		Max rpm	Wt. kg
	mm	in	Metric Adapter Sleeve Part No.	Inch Adapter Sleeve Part No.	D	W	J	Dynamic C <sub>N</sub> lbf	Static C <sub>0</sub> N lbf		
UK305	20	3/4	H2305 x 20MM	H2305 x 3/4	62	21	35	4700	2500	5900	0.5
UK306	25	7/8 15/16 1	H2306 x 25MM	H2306 x 7/8 H2306 x 15/16 H2306 x 1	72	23	38	6070	3400	5200	0.6
UK307	30	1-3/16	H2307 x 30MM	H2307 x 1-3/16	80	25	43	7480	4400	4200	0.7
UK308	35	1-1/4 1-3/8	H2308 x 35MM	H2308 x 1-1/4 H2308 x 1-3/8	90	27	46	9150	5350	3900	1.0
UK309	40	1-7/16 1-1/2 1-5/8	H2309 x 40MM	H2309 x 1-7/16 H2309 x 1-1/2 H2309 x 1-5/8	100	30	50	11500	6550	3300	1.3
UK310	45	1-11/16 1-3/4	H2310 x 45MM	H2310 x 1-11/16 H2310 x 1-3/4	110	32	55	14000	8500	3100	1.7
UK311	50	1-7/8 1-15/16 2	H2311 x 50MM	H2311 x 1-7/8 H2311 x 1-15/16 H2311 x 2	120	34	59	16000	10100	2700	2.1
UK312	55	—	H2312 x 55MM	—	130	36	62	18000	11700	2400	2.5
UK313	60	2-3/16 2-1/4 2-3/8	H2313 x 60MM	H2313 x 2-3/16 H2313 x 2-1/4 H2313 x 2-3/8	140	38	65	21000	13600	2300	3.1
UK315	65	2-7/16 2-1/2	H2315 x 65MM	H2315 x 2-7/16 H2315 x 2-1/2	160	42	73	23500	15400	2100	4.8
UK316	70	2-11/16 2-3/4	H2316 x 70MM	H2316 x 2-11/16 H2316 x 2-3/4	170	44	78	2550	17250	1900	5.6
UK317	75	2-15/16 3	H2317 x 75MM	H2317 x 2-15/16 H2317 x 3	180	46	82	27500	19500	1850	6.6
UK318	80	3-1/8	H2318 x 80MM	H2318 x 3-1/8	190	48	86	29800	21500	1800	7.53
UK319	85	3-1/4	H2319 x 85MM	H2319 x 3-1/4	200	50	90	3200	2400	1650	7.7
UK320	90	3-7/16 3-1/2	H2320 x 90MM	H2320 x 3-7/16 H2320 x 3-1/2	215	54	97	34500	27000	1575	10.8
UK322	100	3-15/16 4	H2322 x 100	H2322 x 3-15/16 H2322 x 4	240	60	105	35000	32000	1475	14.5

Note: Inch bores can use optional SNW Adapters. See adapter section for sizes available. Spanner Wrenches available.

\*\* Order Adapter Sleeve separately.



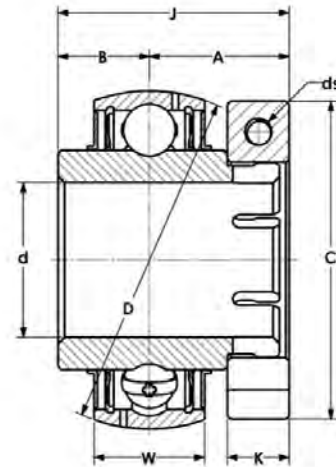
# Ball Bearing Inserts



## CL 200 PTI Series

- Normal Duty
- Concentric Locking Collar
- Metric and Inch Bores
- Wide Inner Ring
- Steel Cage
- Metal Backed Lip Seal and Flingers

The locking collar provides for a concentric fit to the shaft



Part No.	Shaft Size d		Dimensions (mm) (in)								Basic Load Rating C N lbf	Basic Static Load Rating C <sub>0</sub> N lbf	Max rpm	Wt. kg
	mm	in	A	B	C	D	ds	J	K	W				
CL204-20MM	20		19.8	12.7	44.5	47	—	32.5	9.5	16	12800	6600	7450	0.22
CL204-12		3/4	0.78	0.50	1.75	1.850	8-32 x 5/8	1.28	.374	0.63	2900	2500		
CL205-25MM	25		22.2	14.3	49.2	52	—	36.5	9.5	17	14000	7800	6250	0.35
CL205-14		7/8	0.87	0.56	1.94	2.047	8-32 x 5/8	1.44	.374	0.67	3170	1770		
CL205-15		15/16												
CL205-16		1												
CL206-30MM	30		23.8	15.9	55.6	62	—	39.7	9.5	19	19400	11200	5300	0.50
CL206-18		1-1/8	0.94	0.63	2.19	2.441	8-32 x 5/8	1.56	.374	0.75	4400	2540		
CL206-19		1-3/16												
CL206-20		1-1/4												
CL207-35MM	35		27.0	17.5	68.3	72	—	44.5	11.1	20	25600	15200	4500	0.66
CL207-20		1-1/4	1.06	0.69	2.69	2.835	10-24 x 3/4	1.75	.437	0.79	5800	3450		
CL207-22		1-3/8												
CL207-23		1-7/16												
CL208-40MM	40		31.8	19	70.6	80	—	50.8	11.1	21	32600	19800	4000	0.81
CL208-24		1-1/2	1.25	0.75	2.78	3.150	10-24 x 3/4	2.0	.437	0.83	7400	4490		
CL209-45MM	45		31.8	19	77.8	85	—	50.8	11.1	22	32700	20400	3700	0.83
CL209-26		1-5/8	1.25	0.75	3.06	3.347	10-24 x 3/4	2.0	.437	0.87	7420	4630		
CL209-27		1-11/16												
CL209-28		1-3/4												
CL210-50MM	50		34.1	19	85.7	90	—	53.2	14.3	24	35000	23100	3400	1.09
CL210-31		1-15/16	1.34	0.75	3.37	3.543	1/4-20 x 1	2.09	.563	0.94	7900	5240		
CL210-32		2												
CL211-55MM	55		34.9	22.2	93.7	100	—	57.2	14.3	25	43300	29200	3100	1.32
CL211-32		2	1.37	0.87	3.69	3.937	1/4-20 x 1	2.25	.563	0.98	9800	6630		
CL211-34		2-1/8												
CL211-35		2-3/16												
CL212-60MM	60		41.3	25.4	105	110	—	66.7	17.5	27	47700	32900	2800	1.95
CL212-36		2-1/4	1.63	1.00	4.13	4.331	5/16-18 x 1	2.63	.689	1.06	10820	7470		
CL212-38		2-3/8												
CL212-39		2-7/16												

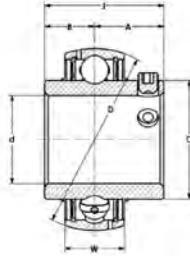
Note: Other sizes available on request.

# High Temp Ball Bearing Inserts



## HT-UC 200 PTI Series

**Normal Duty**  
**Set Screw Locking**  
**Metric and Inch Bores**  
**Steel Cage**



### Key Features:

- Heat-Stabilized Bearing Races for temperatures below 200°C (390°F).
- Stainless Steel Shields and Silicon bearing seals.
- Steel Ball Retainers.
- High Temp Calcium Sulfate Complex Lubricant.
- Other lubes also available. Consult PTI.
- C4 Internal Clearance.
- Anti-Rotation pin on the insert OD for loose housing fit.

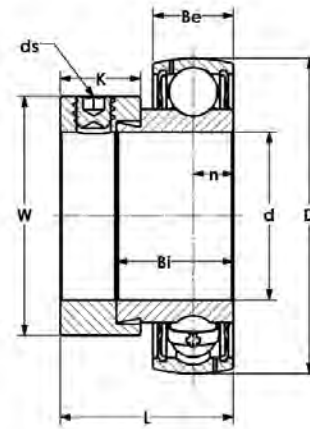
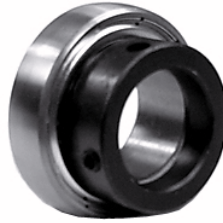
Part No.	Shaft Size d		Dimensions (mm) (in)						Basic Load Rating C N lbf	Basic Static Load Rating C <sub>0</sub> N lbf	Max rpm	Wt. kg
	mm	in	A	B	C	D	J	W				
UC201-12MM-40-HT UC202-15MM-40-HT UC203-17MM-40-HT	12 15 17		16	9.9	24.6	40	25.9	15	9570	4700		
UC201-8-40-HT UC202-10-40-HT UC203-11-40-HT		1/2 5/8 11/16	0.63	0.39	0.97	1.575	1.02	0.59	2170	1065	8800	0.12
UC201-12MM-HT UC202-15MM-HT UC203-17MM-HT	12 15 17		18.3	12.7	28.5	47	31	17	12800	6600		
UC201-8-HT UC202-10-HT UC203-11-HT		1/2 5/8 11/16	0.72	0.50	1.12	1.850	1.22	0.67	2900	2500	8800	0.2
UC204-20MM-HT UC204-12-HT	20		18.3 0.72	12.7 0.50	28.5 1.12	47 1.850	31 1.22	17 0.67	12800 2900	6600 2500	7450	0.4
UC205-25MM-HT UC205-14-HT UC205-15-HT UC205-16-HT *	25		19.8 0.78	14.3 0.56	34 1.34	52 2.047	34.1 1.34	17 0.67	13810 3140	7700 1750	6250	0.4
UC206-30MM-HT UC206-18-HT UC206-19-HT UC206-20-HT *	30		22.2 0.87	15.9 0.63	40 1.57	62 2.441	38.1 1.50	19 0.75	18920 4300	11000 2500	5300	0.7
UC207-35MM-HT UC207-20-HT* UC207-22-HT UC207-23-HT*	35		25.4 1.0	17.5 0.69	46.7 1.84	72 2.835	42.9 1.69	20 0.79	25430 5780	15130 3440	4500	1.08
UC208-40MM-HT UC208-24-HT*	40		30.2 1.19	19 0.75	52.7 2.07	80 3.150	49.2 1.94	21 0.83	32030 7280	19580 4450	4000	1.4
UC209-45MM-HT UC209-26-HT UC209-27-HT UC209-28-HT*	45		30.2 1.19	19 0.75	57.3 2.26	85 3.347	49.2 1.94	22 0.87	32500 7390	20280 4610	3700	1.5
UC210-50MM-HT UC210-30-HT UC210-31-HT UC210-32-HT*	50		32.6 1.28	19 0.75	62.2 2.45	90 3.543	51.6 2.03	24 0.94	35000 7900	22830 5190	3400	1.8
UC211-55MM-HT UC211-32-HT UC211-34-HT UC211-35-HT	55		33.4 1.31	22.2 0.88	68.8 2.71	100 3.937	55.6 2.19	25 0.98	43030 9780	28950 6580	3100	2.4
UC212-60MM-HT UC212-36-HT UC212-38-HT UC212-39-HT	60		39.7 1.56	25.4 1.00	75.4 2.97	110 4.331	65.1 2.56	27 1.06	52000 11800	35590 8090	2800	2.9
UC213-65MM-HT UC213-40-HT*	65		39.7 1.56	25.4 1.00	82.4 3.24	120 4.724	65.1 2.56	28 1.10	60720 13800	43510 9890	2600	3.9
UC214-70MM-HT UC214-43-HT UC214-44-HT	70		44.4 1.75	30.2 1.19	87 3.43	125 4.921	74.6 2.94	30 1.18	61160 13900	44000 9900	2450	2.3
UC215-75MM-HT UC215-46-HT UC215-47-HT UC215-48-HT*	75		44.5 1.75	33.3 1.31	92 3.62	130 5.118	77.8 3.06	32 1.26	62000 14000	44220 10050	2300	4.8
UC216-80MM-HT UC216-50-HT	80		49.3 1.94	33.3 1.31	98.5 3.88	140 5.512	82.6 3.25	33 1.30	70400 16000	54000 12200	2150	6.4

Note: Stainless Steel inserts and other sizes are available on request. For operating temperatures above 250°C, multiply ratings by 0.9. \* Indicates stocked items, the rest can be assembled by PTI for quick delivery.

# Ball Bearing Inserts

## U000 PTI Series

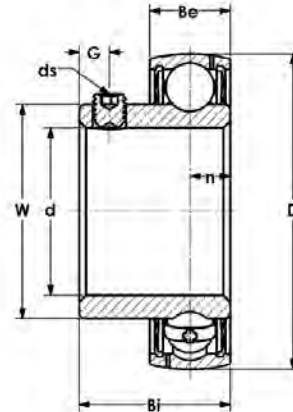
Extra Narrow Width  
Eccentric Lock Collar  
Metric and Inch Bores  
Steel Cage



Part No.	Shaft Size d		Dimensions (mm)									Load rating		Wt. kg
	mm	in	D	L	Bi	Be	n	K	W	A	ds	Dynamic C <sub>N</sub>	Static C <sub>0N</sub>	
U000-10MM	10		26	17.5	11	8	4	8.5	17	3.5	M4x0.7	4550	1940	0.03
U001-12MM	12		28	17.5	11	8	4	8.5	19	3.5	M4x0.7	5030	2370	0.03
U002-15MM	15		32	18.5	12	9	4.5	8.5	22	3.5	M4x0.7	5520	1975	0.05
U003-17MM	17		35	20.5	13.5	10	5	9.5	25	3.5	M4x0.7	5910	2280	0.06
U004-20MM	20		42	24.5	16.5	12	6	11	30	5	M5x0.8	6500	5000	0.10
U004-12		3/4	1.65	0.96	0.65	0.47	0.24	0.43	1.18	0.20	M5x0.8	6500	5000	0.10
U005-25MM	25		47	25.5	17.5	12	6	12	36	5	M5x0.8	9970	5760	0.13
U005-16		1	1.85	1.00	0.69	0.47	0.24	0.47	1.42	0.20	M5x0.8	9970	5760	0.13
U006-30MM	30		55	26.5	18.5	13	6.5	12	42	5	M5x0.8	13070	8180	0.19

## K 000 PTI Series

Extra Narrow Width  
Set Screw Lock  
Metric and Inch Bores  
CR Units with FM222 FDA Lube  
Steel Cage



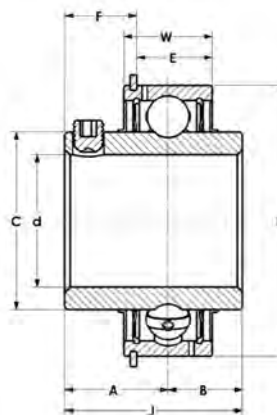
**Stainless Steel Option**

Part No.	Stainless Part No.	Shaft Size d		Dimensions (mm)							Load rating		Wt. kg
		mm	in	D	Bi	Be	n	G	W	ds	Dynamic C <sub>N</sub>	Static C <sub>0N</sub>	
K000-10MM	K000-10MM-CR	10		26	14	8	4	3	14.75	M3x0.35	4550	1940	0.02
K001-12MM	K000-12MM-CR	12		28	14.5	8	4	3	17.35	M3x0.35	5030	2370	0.03
K002-15MM	K002-15MM-CR	15		32	16.5	9	4.5	3.5	20.02	M4x0.50	5520	1975	0.05
K003-17MM	K003-17MM-CR	17		35	17.5	10	5	3.5	23.10	M4x0.50	5910	2280	0.05
K004-20MM	K004-20MM-CR	20		42	21	12	6	4	27.00	M5x0.50	6500	5000	0.08
K004-12	K004-12-CR		3/4	1.65	0.83	0.47	0.24	0.16	1.06	M5x0.50	6500	5000	0.08
K005-25MM	K005-25MM-CR	25		47	22.5	12	6	4.5	31.70	M5x0.50	9970	5760	0.10
K005-16	K005-16-CR		1	1.85	0.89	0.47	0.24	0.18	1.25	M5x0.50	9970	5760	0.10
K006-30MM	K006-30MM-CR	30		55	24.5	13	6.5	5	38.00	M5x0.50	13070	8180	0.16

# Ball Bearing Inserts

## SER 200 PTI Series

Set Screw Lock  
Normal Duty  
Metric and Inch Bores  
OD Snap Ring  
Wide Inner Ring  
Steel Cage



Part No.	Shaft Size d		Dimensions (mm) (in)									Load Ratings		Max rpm	Wt. kg
	mm	in	A	B	C	D	E	F	G	J	W	Dynamic C N lbf	Static C <sub>0</sub> N lbf		
SER201-12MM	12		19.5	11.5	28.3	47	12.06	15.08	52.7	31	15.9	12800	6600	8800	0.3
SER202-15MM	15														
SER203-17MM	17														
SER201-8		1/2	0.77	0.45	1.11	1.850	0.47	0.59	2.07	1.22	0.63	2900	2500	8800	0.3
SER202-10		5/8													
SER203-11		11/16													
SER204-20MM	20		19.5	11.5	28.3	47	12.06	15.08	52.7	31	15.9	12800	6600	7450	0.3
SER204-12		3/4	0.77	0.45	1.11	1.850	0.47	0.59	2.07	1.22	0.63	2900	2500		
SER205-25MM	25		21.8	13.1	34.0	52	15.29	15.78	57.9	34.9	19.1	13810	7700	6250	0.3
SER205-14		7/8	0.86	0.52	1.34	2.047	0.60	0.62	2.28	1.37	0.75	3140	1750		
SER205-15		15/16													
SER205-16		1													
SER206-30MM	30		22.2	15.9	40.3	62	17.02	15.93	67.7	38.1	22.2	18920	11000	5300	0.4
SER206-18		1-1/8	0.87	0.63	1.59	2.441	0.67	0.63	2.67	1.50	0.87	4300	2500		
SER206-19		1-3/16													
SER206-20		1-1/4													
SER207-35MM	35		25.4	17.5	46.9	72	18.62	18.32	78.6	42.9	23.8	25430	15130	4500	0.5
SER207-20		1-1/4	1.0	0.69	1.85	2.835	0.73	0.72	3.09	1.69	0.94	5780	3440		
SER207-22		1-3/8													
SER207-23		1-7/16													
SER208-40MM	40		30.2	19	52.4	80	22.62	21.1	86.6	49.2	27.8	32030	19580	4000	0.7
SER208-24		1-1/2	1.19	0.75	2.06	3.150	0.89	0.83	3.41	1.94	1.09	7820	4450		
SER209-45MM	45		30.2	19	57.4	85	22.62	21.1	91.6	49.2	27.8	32500	20280	3700	0.8
SER209-26		1-5/8	1.19	0.75	2.26	3.347	0.89	0.83	3.61	1.94	1.09	7390	4610		
SER209-27		1-11/16													
SER209-28		1-3/4													
SER210-50MM	50		32.6	19	61.8	90	22.62	23.84	96.5	51.6	28.6	35000	22830	3400	0.9
SER210-30		1-7/8	1.28	0.75	2.43	3.543	0.89	0.94	3.80	2.03	1.13	7900	5190		
SER210-31		1-15/16													
SER210-32		2													
SER211-55MM	55		33.4	22.2	68.7	100	24.22	23.84	106.5	55.6	30.2	43030	28950	3100	1.2
SER211-32		2	1.31	0.87	2.70	3.937	0.95	0.94	4.19	2.19	1.19	9780	6580		
SER211-34		2-1/8													
SER211-35		2-3/16													
SER212-60MM	60		39.7	25.4	75.7	110	25.82	29.4	116.6	65.1	31.8	52000	35590	2800	1.6
SER212-36		2-1/4	1.56	1.00	2.98	4.337	1.02	1.16	4.59	2.56	1.25	11800	8090		
SER212-38		2-3/8													
SER212-39		2-7/16													

# Corrosion Resistant Bearings & Housings

**Bearings - Stainless Steel or Hard Chrome Coated**

**Housings - Stainless Steel, Thermoplastic or Nickel Plated**



Introduction

Mounted Ball Bearings

SRE / SR2 Spherical Bearings

SAF / Plummer Blocks

Brg. Accessories, Radial Ball, & EICH Bearings

Rod Ends & Spherical Plain Bearings

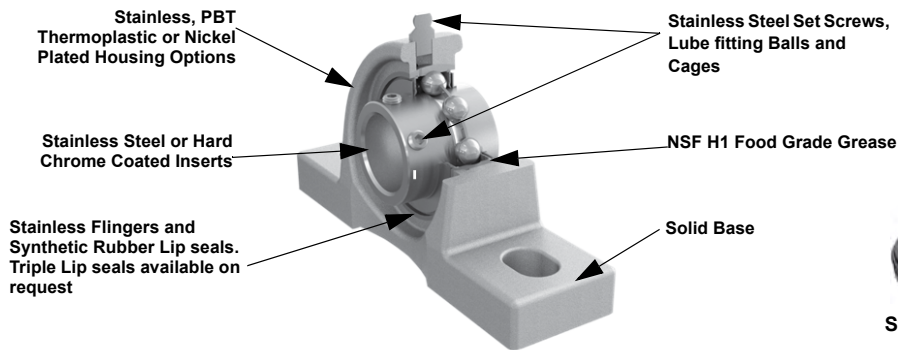
Roller Chain & Sprockets

Bushings & Hubs

Gears & Racks

Belt Drives / Couplings

Linear Motion / WINKEL



PBT Open Cover, Closed Cover & Back Seal



Stainless Open & Closed End Covers

## Bearing Types

### Stainless Steel - SUC & SSB (set screw), SHC (eccentric collar)

These are the most popular versions for frequent wash down. SUC and SHC have a Stainless Steel Flinger with an internal lip seal. The SSB has a narrow inner ring with a lip seal flinger combination.

### Material Properties

- Inner/Outer Races/Balls: 440 Stainless
- Flinger & Seal Frame: 302 Stainless
- Set Screws: 410 Stainless
- Ball Cage: 302 Stainless
- Eccentric Collar (SHC): 304 Stainless
- Seal: Silicone Rubber
- Lubrication: NSF H1 Food Grade Grease
- Operating Range: -10° to 250°F
- Shaft Sizes: 1/2" to 3", & 20mm thru 60mm



SUC

SHC



SSB

### Stainless Steel - SSER (Set Screw)

Same Specs as above  
Shaft Sizes: 1/2" to 3", & 20mm thru 50mm



SSER

### Stainless Steel - K000-CR (Set Screw)

Same Specs as above  
Small Shaft Sizes: Thru 1" or 30mm



K000-CR

### Stainless Steel Radials

- R-Series
- 1600 Series
- 6000 Series
- 6200 Series
- 6900 Series
- Other sizes on request



Radial Type

### CUC - Hard Chrome Coated (TDC - Thin Dense Chrome)

- Inner/Outer Races/Balls: 440 Stainless
- Flinger & Seal Frame: 302 Stainless
- Set Screws: 410 Stainless
- Ball Cage: 302 Stainless
- Eccentric Collar (SHC): 304 Stainless
- Seal: Silicone Rubber
- Lubrication: NSF H1 Food Grade Grease
- Operating Range: -10° to 25°F



CUC

## Housing Types

Stainless and Thermoplastic Housings are the most popular choice for frequent wash down applications. Stainless or Hard Chrome coated inserts can be installed in any of the housings below. Closed and Open End Covers available for both Stainless and Thermoplastic Housings. An additional back seal for a flange housing is also available.

### Stainless Steel Housings (For SUC, SHC, SSB or CUC)

- AISI 304 Stainless, Solid Base
- Grease Fitting: AISI 304
- Closed and Open End Covers

**Housings Stocked: Pillow Blocks, Tapped Bases 2-Bolt & 4-Bolt Flanges, Take-Ups, 3-Bolt Flange Brackets, Piloted Flanges**



### Thermoplastic Housings (For SUC, SHC, SSB, or CUC)

- Material: Reinforced PBT (polybutylene terephthalate), Solid Base
- Interchanges with standard housing dimensions
- Sleeves and bushings are stainless steel
- Smooth housing designed for washdown
- Excellent chemical resistance
- Grease Fitting: AISI 304
- Operating Range: -10° to 210°F
- End Covers available from stock

**Housings Stocked: Pillow Blocks, Tapped Bases, 2-Bolt & 4-Bolt Flanges, Take-Ups, 3-Bolt Flange Brackets**



### Nickel Plated Housings (For SUC, SHC, SSB, or CUC)

- Material: Electroless Nickel Plated Cast Iron
- Housings Stocked: Pillow Blocks, Tapped Bases, 2-Bolt & 4-Bolt Flanges**
- Other housing types can be plated on request.



### Electroless Chrome Plated Housing (For K000-CR)

- Small Shaft Sizes: Thru 1" or 30mm
- Housings Stocked: Pillow Blocks, 2-Bolt Flanges**
- Uses K000-CR Inserts.



### Solutions for IP67 Wash Down Requirements

- Extreme Wash down options where an IP67 rated product is needed are possible.
- Consult PTI with requirements.



## Other Stock Housing Configurations in Stainless, Thermoplastic PBT and Nickel Plated



# Corrosion Resistant - Stainless Steel Pillow Block



## CUCSP 200 PTI Series

Corrosion Resistant Normal Duty Bearing

Stainless Steel Housing

Set Screw Lock

Metric and Inch Bores

Housing:

Material: Stainless Steel

Bearing Insert:

Rings: Hard Chrome Coated

Balls: 440 Stainless Steel

Set Screws: 410 Stainless Steel

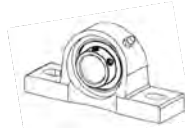
Slinger & Seal Frame: 302 Stainless Steel

Retainer: 302 Stainless Steel

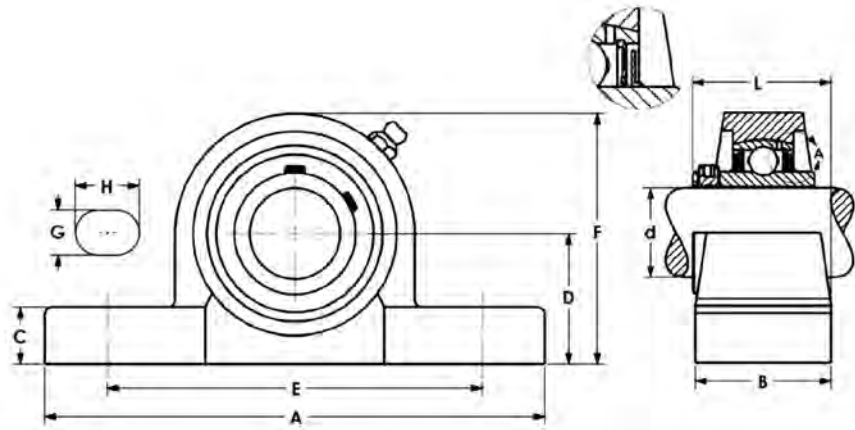
Seal: Silicone

Lubrication: NSF H1 Food Grade Grease

Operating Temp Range: -10°F to 250°F



Models Available



Part No.	Shaft Size d		Dimensions (mm) (in)									Bearing No.	Housing No.	Wt. kg
	mm	in	A	B	C	D	E	F	G	H	L			
CUCSP204-20MM	20		125.5	37	15	33.3	95	64	13	19	37.3	CUC204-20MM	SP204	0.8
CUCSP204-12		3/4	4.94	1.46	0.59	1.31	3.74	2.52	0.51	0.75	1.47	CUC204-12		
CUCSP205-25MM	25		138.5	37.5	16	36.5	105	70.5	13	19	38.8	CUC205-25MM	SP205	1
CUCSP205-14		7/8										CUC205-14		
CUCSP205-15		15/16										CUC205-15		
CUCSP205-16		1										CUC205-16		
CUCSP206-30MM	30		164	47	17	42.9	121	83	17	21	46.2	CUC206-30MM	SP206	1.6
CUCSP206-18		1-1/8	6.46	1.85	0.67	1.69	4.76	3.27	0.67	0.83	1.82	CUC206-18		
CUCSP206-19		1-3/16										CUC206-19		
CUCSP206-20		1-1/4										CUC206-20		
CUCSP207-35MM	35		167	47.5	17.5	47.6	127	93	17	21	49.4	CUC207-35MM	SP207	2
CUCSP207-20		1-1/4	6.57	1.87	0.69	1.87	5	3.66	0.67	0.83	1.94	CUC207-20		
CUCSP207-22		1-3/8										CUC207-22		
CUCSP207-23		1-7/16										CUC207-23		
CUCSP208-40MM	40		183	53.5	18	49.2	137	99.5	17	21	57.2	CUC208-40MM	SP208	2.5
CUCSP208-24		1-1/2	7.2	2.11	0.71	1.94	5.39	3.92	0.67	0.83	2.25	CUC208-24		

# Corrosion Resistant - Stainless Steel Tapped Base



## CUCSPA 200 PTI Series

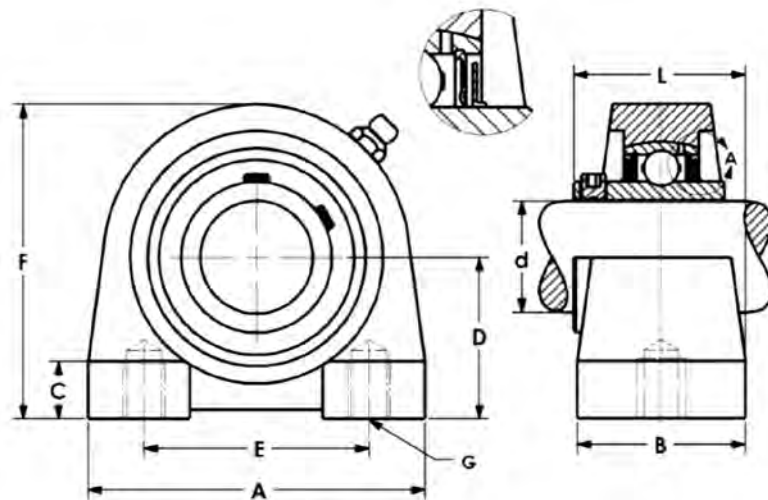
- Corrosion Resistant Normal Duty Bearing
- Stainless Steel Housing
- Set Screw Lock
- Metric and Inch Bores

### Housing:

AISI 304 Stainless, Solid Base  
Grease fitting: AISA 304

### Bearing Insert:

Rings: Hard Chrome Coated  
Balls: 440 Stainless Steel  
Set Screws: 410 Stainless Steel  
Slinger & Seal Frame: 302 Stainless Steel  
Retainer: 302 Stainless Steel  
Seal: Silicone  
Lubrication: NSF H1 Food Grade Grease  
Operating Temp Range: -10°F to 250°F  
Options: Triple Lip seals available on request



Part No.	Shaft Size d		Dimensions (mm) (in)								Bearing No.	Housing No.	Wt. kg
	mm	in	A	B	C	D	E	F	G	L			
CUCSPA204-20MM	20		73	38	12.7	33.3	50.8	65	—	37.3	CUC204-20MM	SPA204	0.8
CUCSPA204-12		3/4	2.87	1.5	0.5	1.31	2	2.56	3/8-16	1.47	CUC204-12		
CUCSPA205-25MM	25		76	38	12.7	36.5	50.8	71.5	—	38.8	CUC205-25MM	SPA205	1
CUCSPA205-14		7/8	2.99	1.5	0.5	1.44	2	2.81	3/8-16	1.53	CUC205-14		
CUCSPA205-15		15/16									CUC205-15		
CUCSPA205-16		1									CUC205-16		
CUCSPA206-30MM	30		102	38	16	42.9	76.2	86	—	41.2	CUC206-30MM	SPA206	1.6
CUCSPA206-18		1-1/8	4.02	1.5	0.63	1.69	3	3.39	7/16-14	1.62	CUC206-18		
CUCSPA206-19		1-3/16									CUC206-19		
CUCSPA206-20		1-1/4									CUC206-20		
CUCSPA207-35MM	35		108	47.5	19	47.6	82.6	95	—	49.4	CUC207-35MM	SPA207	2
CUCSPA207-20		1-1/4	4.25	1.87	0.75	1.86	3.25	3.74	1/2-13	1.94	CUC207-20		
CUCSPA207-22		1-3/8									CUC207-22		
CUCSPA207-23		1-7/16									CUC207-23		
CUCSPA208-40MM	40		117	48	19	49.2	88.9	100	—	54.2	CUC208-40MM	SPA208	2.5
CUCSPA208-24		1-1/2	4.61	1.89	0.75	1.94	3.5	3.94	1/2-13	2.13	CUC208-24		

# Corrosion Resistant - Stainless Steel 4-Bolt Flange



## CUCSF 200 PTI Series

Corrosion Resistant Normal Duty Bearing

Stainless Steel Housing

Set Screw Lock

Metric and Inch Bores

### Housing:

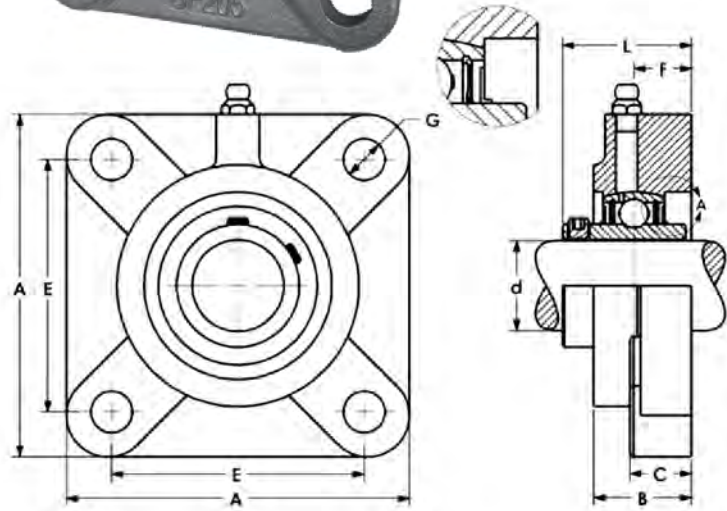
AISI 304 Stainless, Solid Base  
Grease Fitting: AISI 304

### Bearing Insert:

Rings: Hard Chrome Coated  
Balls: 440 Stainless Steel  
Set Screws: 410 Stainless Steel  
Slinger & Seal Frame: 302 Stainless Steel  
Retainer: 302 Stainless Steel  
Seal: Silicone  
Lubrication: NSF H1 Food Grade Grease  
Operating Temp Range: -10°F to 250°F  
Options: Triple Lip seals available on request



Models Available



Part No.	Shaft Size d		Dimensions (mm) (in)							Bearing No.	Housing No.	Wt. kg
	mm	in	A	B	C	E	F	G	L			
CUCSF204-20MM	20		86	25.5	12	64	15	12	33.4	CUC204-20MM	SF204	0.8
CUCSF204-12		3/4	3.39	1	0.47	2.25	0.59	0.47	1.31	CUC204-12		
CUCSF205-25MM	25		95	27	14	70	16	12	35.7	CUC205-25MM	SF205	1
CUCSF205-14		7/8	3.74	1.06	0.55	2.76	0.63	0.47	1.41	CUC205-14		
CUCSF205-15		15/16								CUC205-15		
CUCSF205-16		1								CUC205-16		
CUCSF206-30MM	30		108	31	14	83	18	13	40.1	CUC206-30MM	SF206	1.6
CUCSF206-18		1-1/8	4.25	1.22	0.55	3.27	0.71	0.51	1.58	CUC206-18		
CUCSF206-19		1-3/16								CUC206-19		
CUCSF206-20		1-1/4								CUC206-20		
CUCSF207-35MM	35		116	34	15.5	92	19	14	44.4	CUC207-35MM	SF207	2
CUCSF207-20		1-1/4	4.57	1.34	0.61	3.62	0.75	0.55	1.75	CUC207-20		
CUCSF207-22		1-3/8								CUC207-22		
CUCSF207-23		1-7/16								CUC207-23		
CUCSF208-40MM	40		129	36	15.5	102	21	14	51.2	CUC208-40MM	SF208	2.5
CUCSF208-24		1-1/2	5.08	1.42	0.61	4.02	0.83	0.55	2.02	CUC208-24		



# Corrosion Resistant - Stainless Steel 3-Bolt Flange

## CUCSFB 200 PTI Series

Corrosion Resistant Normal Duty Bearing

Stainless Steel Housing

Set Screw Lock

Metric and Inch Bores



**Housing:**

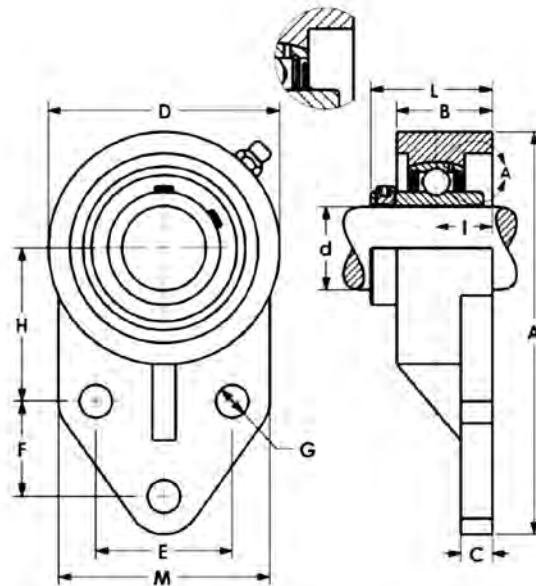
AISI 304 Stainless, Solid Base  
Grease Fitting: AISI 304

**Bearing Insert:**

Rings: Hard Chrome Coated  
Balls: 440 Stainless Steel  
Set Screws: 410 Stainless Steel  
Slinger & Seal Frame: 302 Stainless Steel  
Retainer: 302 Stainless Steel  
Seal: Silicone  
Lubrication: NSF H1 Food Grade Grease  
Operating Temp Range: -10°F to 250°F  
Options: Triple Lip seals available on request



Models Available



Part No.	Shaft Size d		Dimensions (mm) (in)											Bearing No.	Housing No.	Wt. kg
	mm	in	A	B	C	D	E	F	G	H	I	L	M			
CUCSFB204-20MM	20		108	25.4	8	63.5	38.1	15.9	10	43.3	22	34.3	60	CUC204-20MM	SFB204	0.8
CUCSFB204-12		3/4	4.25	1	0.31	2.5	1.5	0.63	0.39	1.7	0.87	1.35	2.36	CUC204-12		
CUCSFB205-25MM	25		120.5	28.5	10	70	41.3	16.7	10	46	28.5	36.8	63	CUC205-25MM	SFB205	0.8
CUCSFB205-14		7/8	4.74	1.12	0.39	2.76	1.63	0.66	0.39	1.81	1.12	1.45	2.48	CUC205-14		
CUCSFB205-15		15/16												CUC205-15		
CUCSFB205-16		1												CUC205-16		
CUCSFB206-30MM	30		135	32	10	83	47.6	18.6	10	52.4	31.7	41.2	69.5	CUC206-30MM	SFB206	1.6
CUCSFB206-18		1-1/8	5.33	1.26	0.39	3.23	1.875	0.73	0.39	2.06	1.25	1.62	2.74	CUC206-18		
CUCSFB206-19		1-3/16												CUC206-19		
CUCSFB206-20		1-1/4												CUC206-20		
CUCSFB207-35MM	35		156	36.5	13.5	95	50.8	21	13	60.3	31.7	46.4	82.5	CUC207-35MM	SFB207	2
CUCSFB207-20		1-1/4	6.14	1.44	0.53	3.74	2	0.83	0.51	2.37	1.25	1.83	3.24	CUC207-20		
CUCSFB207-22		1-3/8												CUC207-22		
CUCSFB207-23		1-7/16												CUC207-23		
CUCSFB208-40MM	40		163.5	35.7	17	100	50	21	12	60.3	41.3	51.2	78	CUC208-40MM	SFB208	2.5
CUCSFB208-24		1-1/2	6.44	1.41	0.67	3.94	1.97	0.83	0.47	2.37	1.63	2.02	3.07	CUC208-24		

# Corrosion Resistant - Stainless Steel 2-Bolt Flange



## CUCSFL 200 PTI Series

Corrosion Resistant Normal Duty Bearing

Stainless Steel Housing

Set Screw Lock

Metric and Inch Bores

### Housing:

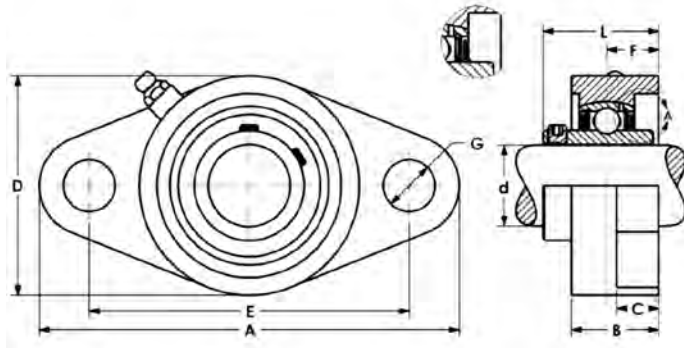
AISI 304 Stainless, Solid Base  
Grease Fitting: AISI 304

### Bearing Insert:

Rings: Hard Chrome Coated  
Balls: 440 Stainless Steel  
Set Screws: 410 Stainless Steel  
Slinger & Seal Frame: 302 Stainless Steel  
Retainer: 302 Stainless Steel  
Seal: Silicone  
Lubrication: NSF H1 Food Grade Grease  
Operating Temp Range: -10°F to 250°F  
Options: Triple Lip seals available on request



Models Available



Part No.	Shaft Size d		Dimensions (mm) (in)								Bearing No.	Housing No.	Wt. kg
	mm	in	A	B	C	D	E	F	G	L			
CUCSFL204-20MM	20		113	25.5	11.5	60	90	15	10	33.4	CUC204-20MM	SFL204	.08
CUCSFL204-12		3/4	4.45	1	0.45	2.36	3.54	0.59	0.39	1.31	CUC204-12		
CUCSFL205-25MM	25		125	27	13	68	99	16	12	35.8	CUC205-25MM	SFL205	1
CUCSFL205-14		7/8	4.92	1.06	0.51	2.68	3.90	0.63	0.47	1.41	CUC205-14		
CUCSFL205-15		15/16									CUC205-15		
CUCSFL205-16		1									CUC205-16		
CUCSFL206-30MM	30		141	31	13	80	117	18	12	40.1	CUC206-30MM	SFL206	1.6
CUCSFL206-18		1-1/8	5.55	1.22	0.51	3.15	4.61	0.71	0.47	1.58	CUC206-18		
CUCSFL206-19		1-3/16									CUC206-19		
CUCSFL206-20		1-1/4									CUC206-20		
CUCSFL207-35MM	35		156	34	14	90	130	19	13	44.5	CUC207-35MM	SFL207	2
CUCSFL207-20		1-1/4	6.14	1.34	0.56	3.54	5.12	0.75	0.51	1.75	CUC207-20		
CUCSFL207-22		1-3/8									CUC207-22		
CUCSFL207-23		1-7/16									CUC207-23		
CUCSFL208-40MM	40		172	36	14.3	100	144	21	14	51.2	CUC208-40MM	SFL208	2.5
CUCSFL208-24		1-1/2	6.77	1.42	0.56	3.94	5.67	0.83	0.55	2.02	CUC208-24		

# Corrosion Resistant - Stainless Steel Take-Up



## CUCST 200 PTI Series

Corrosion Resistant Normal Duty Bearing

Stainless Steel Housing

Set Screw Lock

Metric and Inch Bores



### Housing:

AISI Stainless, Solid Base

Grease fitting: AISA 304

### Bearing Insert:

Rings: Hard Chrome Coated

Balls: 440 Stainless Steel

Set Screws: 410 Stainless Steel

Slinger & Seal Frame: 302 Stainless Steel

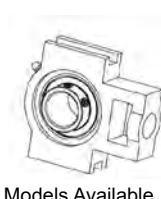
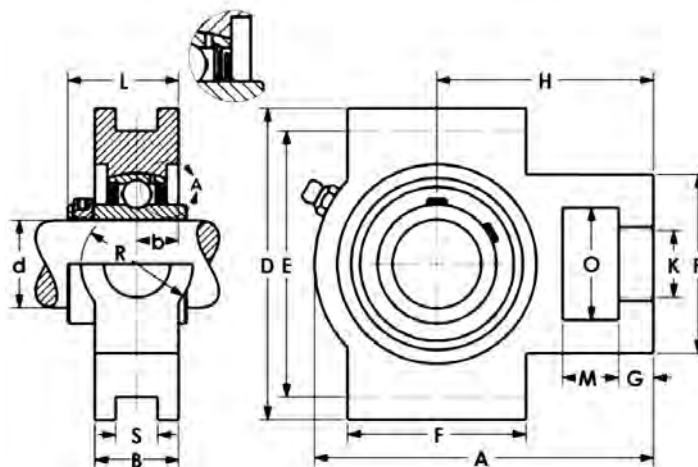
Retainer: 302 Stainless Steel

Seal: Silicone

Lubrication: NSF H1 Food Grade Grease

Operating Temp Range: -10°F to 250°F

Options: Triple Lip seals available on request



Part No.	Shaft Size d		Dimensions (mm) (in)														Bearing No.	Housing No.	Wt. kg	
	mm	in	A	B	b	D	E	F	G	H	K	L	M	O	P	R				S
CUCST204-20MM	20		94	21	10.5	89	76	51	10	61	19	28.75	16	32	51	32	12	CUC204-20MM	ST204	—
CUCST204-12		3/4	3.7	0.83	0.41	3.5	2.99	2.01	0.39	2.4	0.75	1.13	0.63	1.26	2.01	1.26	0.47	CUC204-12		
CUCST205-25MM	25		97	24	12	89	76	51	10	62	19	31.78	16	32	51	32	12	CUC205-25MM		
CUCST205-14		7/8	3.82	0.94	0.47	3.5	2.99	2.01	0.39	2.44	0.75	1.25	0.63	1.26	2.01	1.26	0.47	CUC205-14	ST205	1.2
CUCST205-15		15/16																CUC205-15		
CUCST205-16		1																CUC205-16		
CUCST206-30MM	30		113	28	14	102	89	57	10	70	22	36.17	16	37	56	37	12	CUC206-30MM		
CUCST206-18		1-1/8	4.45	1.1	0.55	4.02	3.5	2.24	0.39	2.76	0.87	1.42	0.63	1.46	2.2	1.46	0.47	CUC206-18	ST206	1.8
CUCST206-19		1-3/16																CUC206-19		
CUCST206-20		1-1/4																CUC206-20		
CUCST207-35MM	35		130	30	15	102	89	64	14	78	22	40.37	16	37	64	37	12	CUC207-35MM		
CUCST207-20		1-1/4	5.12	1.18	0.59	4.02	3.5	2.52	0.55	3.07	0.87	1.59	0.63	1.46	2.52	1.46	0.47	CUC207-20	ST207	2.2
CUCST207-22		1-3/8																CUC207-22		
CUCST207-23		1-7/16																CUC207-23		
CUCST208-40MM	40		144	33	16.5	114	102	83	16	88	29	46.6	19	49	83	49	16	CUC208-40MM	ST208	2.5
CUCST208-24		1-1/2	5.67	1.3	0.65	4.49	4.02	3.27	0.63	3.46	1.14	1.83	0.75	1.93	3.27	1.93	0.63	CUC208-24		

Note: Wide Slot Unit also available from stock for size 207, slot width 13.5

# Corrosion Resistant - Thermoplastic Pillow Block



## CUCTP 200 PTI Series

**Stainless Steel Normal Duty Bearing**  
**PBT Thermoplastic Housing**  
**Eccentric Lock Collar, Solid Base**  
**Metric and Inch Bores**

### Housing:

Material: Reinforced PBT (polybutylene terephthalate)  
 Working Temperatures: -10°F to 210°F  
 Interchanges with standard housing dimensions  
 Sleeves and bushings are Stainless Steel  
 Solid Base, smooth housing designed for washdown  
 Excellent chemical resistance  
 Grease fitting: AISA 304

### Bearing Insert:

Rings: Hard Chrome Coated  
 Balls: 440 Stainless Steel  
 Set Screws: 410 Stainless Steel  
 Slinger & Seal Frame: 302 Stainless Steel  
 Retainer: 302 Stainless Steel  
 Seal: Silicone  
 Lubrication: NSF H1 Food Grade Grease  
 Operating Temp Range: -10°F to 250°F  
 Options: Triple Lip seals available on request



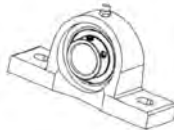
Black Housing Available



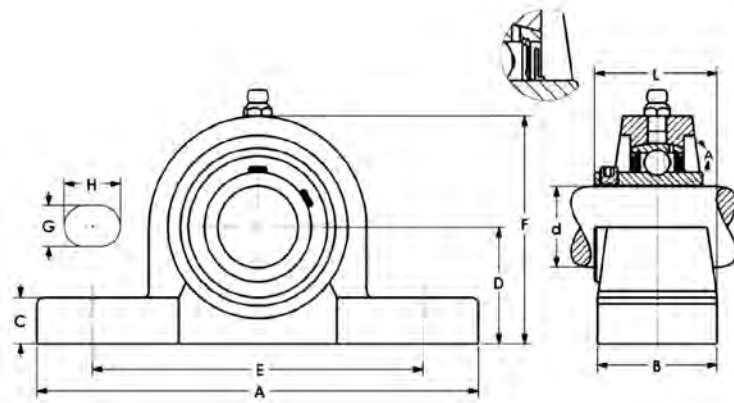
Open and Closed End Covers Optional

### Bearing Insert:

Rings: Hard Chrome Coated  
 Balls: 440 Stainless Steel  
 Set Screws: 410 Stainless Steel  
 Slinger & Seal Frame: 302 Stainless Steel  
 Retainer: 302 Stainless Steel  
 Seal: Silicone  
 Lubrication: NSF H1 Food Grade Grease  
 Operating Temp Range: -10°F to 250°F  
 Options: Triple Lip seals available on request



Models Available



Part No.	Shaft Size d		Dimensions (mm) (in)									Bearing No.	Housing No.*	Wt. kg
	mm	in	A	B	C	D	E	F	G	H	L			
CUCTP204-20MM	20		127	37.5	14.5	33.3	95	65	11	14	37.3	CUC204-20MM	TP204 or (TP204BLK)	0.3
CUCTP204-12		3/4	5	1.48	0.57	1.312	3.74	2.56	0.43	0.55	1.47	CUC204-12		
CUCTP205-25MM	25		140.5	37.5	14.5	36.5	105	71.5	11	14	38.8	CUC205-25MM	TP205 or TP205A** (TP205BLK)	0.4
CUCTP205-14		7/8	5.53	1.48	0.57	1.437	4.13	2.81	0.43	0.55	1.53	CUC205-14		
CUCTP205-15		15/16										CUC205-15		
CUCTP205-16		1										CUC205-16		
CUCTP206-30MM	30		163.5	46	17.8	42.9	119	83.5	14	18	45.2	CUC206-30MM	TP206 or (TP206BLK)	0.7
CUCTP206-18		1-1/8	6.44	1.81	0.7	1.687	4.69	3.29	0.55	0.71	1.78	CUC206-18		
CUCTP206-19		1-3/16										CUC206-19		
CUCTP206-20		1-1/4										CUC206-20		
CUCTP207-35MM	35		168.5	47.5	18	47.6	127	94.5	14	18	49.4	CUC207-35MM	TP207 or (TP207BLK)	0.9
CUCTP207-20		1-1/4	6.63	1.87	0.71	1.875	5	3.27	0.55	0.71	1.94	CUC207-20		
CUCTP207-22		1-3/8										CUC207-22		
CUCTP207-23		1-7/16										CUC207-23		
CUCTP208-40MM	40		184	53.5	20	49.2	137	99	14	18	57.2	CUC208-40MM	TP208 or (TP208BLK)	1.1
CUCTP208-24		1-1/2	7.24	2.11	0.79	1.937	5.39	3.9	0.55	0.71	2.25	CUC208-24		

Note: \*To specify, include BLK as suffix. Example: CUCTP204-12BLK. \*\*Lube fitting at 45°

# Corrosion Resistant - Thermoplastic Tapped Base



## CUCTTB 200 PTI Series

- Corrosion Resistant Normal Duty Bearing
- PBT Thermoplastic Housing
- Set Screw Lock, Solid Flange
- Metric and Inch Bores

### Housing:

Material: Reinforced PBT (polybutylene terephthalate)  
 Working Temperatures: -10°F to 210°F  
 Interchanges with standard housing dimensions  
 Sleeves and bushings are Stainless Steel  
 Smooth housing designed for washdown  
 Excellent chemical resistance  
 Grease fitting: AISA 304



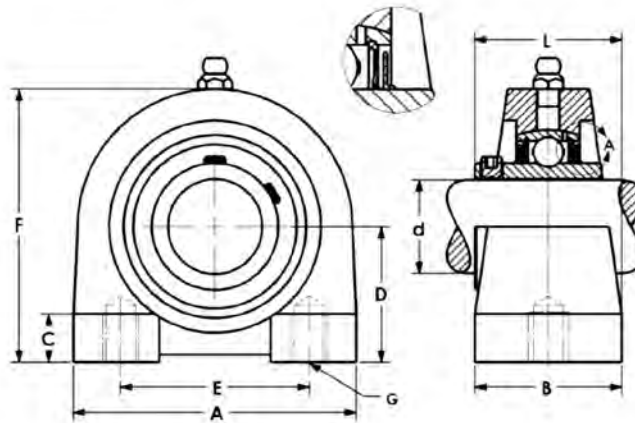
Black Housing Available



Open and Closed End Covers Optional

### Bearing Insert:

Rings: Hard Chrome Coated  
 Balls: 440 Stainless Steel  
 Set Screws: 410 Stainless Steel  
 Slinger & Seal Frame: 302 Stainless Steel  
 Retainer: 302 Stainless Steel  
 Seal: Silicone  
 Lubrication: NSF H1 Food Grade Grease  
 Operating Temp Range: -10°F to 250°F  
 Options: Triple Lip seals available on request



Models Available

Part No.	Shaft Size d		Dimensions (mm) (in)								Bearing No.	Housing No.*	Wt. kg
	mm	in	A	B	C	D	E	F	G	L			
CUCTTB204-20MM	20		72.8	34.5	12.7	33.3	50.8	66	—	35.6	CUC204-20MM	TTB204 or (TTB204BLK)	0.3
CUCTTB204-12		3/4	2.87	1.36	0.5	1.31	2	2.6	3/8-16	1.4	CUC204-12		
CUCTTB205-25MM	25		76.2	39.5	14.3	36.5	50.8	73.5	—	39.6	CUC205-25MM	TTB205 or (TTB205BLK)	0.4
CUCTTB205-14		7/8	3	1.56	0.56	1.44	2	2.89	3/8-16	1.56	CUC205-14		
CUCTTB205-15		15/16									CUC205-15		
CUCTTB205-16		1									CUC205-16		
CUCTTB206-30MM	30		101	42.5	15.9	42.9	76.2	84	—	43.5	CUC206-30MM	TTB206 or (TTB206BLK)	0.7
CUCTTB206-18		1-1/8	3.98	1.67	0.63	1.69	3	3.31	7/16-14	1.71	CUC206-18		
CUCTTB206-19		1-3/16									CUC206-19		
CUCTTB206-20		1-1/4									CUC206-20		
CUCTTB207-35MM	35		110	47.5	17.5	47.6	82.6	95	—	49.2	CUC207-35MM	TTB207 or (TTB207BLK)	0.9
CUCTTB207-20		1-1/4	4.33	1.87	0.69	1.87	3.25	3.74	1/2-13	1.94	CUC207-20		
CUCTTB207-22		1-3/8									CUC207-22		
CUCTTB207-23		1-7/16									CUC207-23		
CUCTTB208-40MM	40		120	48	19	49.2	88.9	100.5	—	54.2	CUC208-40MM	TTB208 or (TTB208BLK)	1.1
CUCTTB208-24		1-1/2	4.72	1.89	0.75	1.94	3.5	3.96	1/2-13	2.13	CUC208-24		

Note: \*To specify, include BLK as suffix. Example: CUCTTB204-12BLK.

# Corrosion Resistant - Thermoplastic 4-Bolt Flange



## CUCTF 200 PTI Series

**Corrosion Resistant Normal Duty Bearing**  
**PBT Thermoplastic Housing**  
**Set Screw Lock, Solid Flange**  
**Metric and Inch Bores**

### Housing:

Material: Reinforced PBT (polybutylene terephthalate)  
 Working Temperatures: -10°F to 210°F  
 Interchanges with standard housing dimensions  
 Sleeves and bushings are Stainless Steel  
 Smooth housing designed for washdown  
 Excellent chemical resistance  
 Grease fitting: AISA 304

### Bearing Insert:

Rings: Hard Chrome Coated  
 Balls: 440 Stainless Steel  
 Set Screws: 410 Stainless Steel  
 Slinger & Seal Frame: 302 Stainless Steel  
 Retainer: 302 Stainless Steel  
 Seal: Silicone  
 Lubrication: NSF H1 Food Grade Grease  
 Operating Temp Range: -10°F to 250°F  
 Options: Triple Lip seal available on request



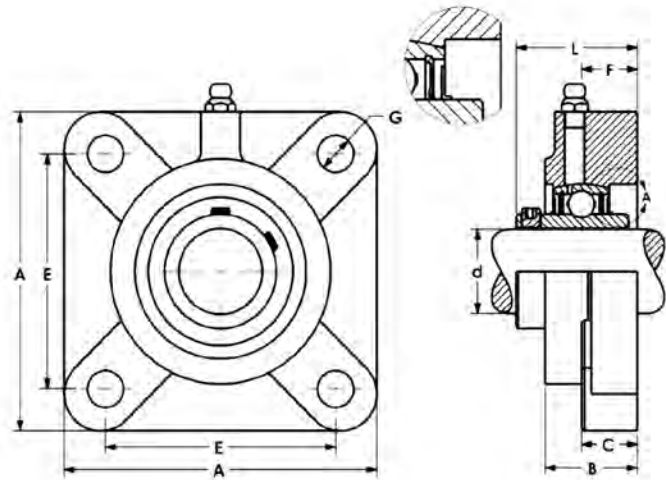
Black Housing Available



Open and Closed  
End Covers Optional



Models Available



Part No.	Shaft Size d		Dimensions (mm) (in)							Bearing No.	Housing No.*	Wt. kg
	mm	in	A	B	C	E	F	G	L			
CUCTF204-20MM	20		86	27.8	14	63.5	17	11	36.3	CUC204-20MM	TF204 or	0.3
CUCTF204-12		3/4	3.38	1.09	0.55	2.5	0.67	0.43	1.43	CUC204-12	(TF204BLK)	
CUCTF205-25MM	25		95	28	14.5	70	17	11	36.8	CUC205-25MM	TF205 or	0.4
CUCTF205-14		7/8	3.75	1.1	0.57	2.75	0.67	0.43	1.45	CUC205-14	(TF205BLK)	
CUCTF205-15		15/16								CUC205-15		
CUCTF205-16		1								CUC205-16		
CUCTF206-30MM	30		107	31.5	14.3	83	19	11	41.4	CUC206-30MM	TF206 or	0.7
CUCTF206-18		1-1/8	4.21	1.24	0.56	3.27	0.75	0.43	1.63	CUC206-18	(TF206BLK)	
CUCTF206-19		1-3/16								CUC206-19		
CUCTF206-20		1-1/4								CUC206-20		
CUCTF207-35MM	35		117	34.8	16	92	20	13	46.9	CUC207-35MM	TF207 or	0.9
CUCTF207-20		1-1/4	4.61	1.37	0.63	3.63	0.79	0.55	1.85	CUC207-20	(TF207BLK)	
CUCTF207-22		1-3/8								CUC207-22		
CUCTF207-23		1-7/16								CUC207-23		
CUCTF208-40MM	40		128.5	36.5	17.5	102	21	14	53.2	CUC208-40MM	TF208 or	1.1
CUCTF208-24		1-1/2	5.06	1.44	0.69	4.02	0.83	0.55	2.09	CUC208-24	(TF208BLK)	

Note: \*To specify, include BLK as suffix. Example: CUCTF204-12BLK.

# Corrosion Resistant - Thermoplastic 3-Bolt Flange Bracket



## CUCTFB 200 PTI Series

Corrosion Resistant Normal Duty Bearing

PBT Thermoplastic Housing

Set Screw Lock, Solid Flange

Metric and Inch Bores



Black Housing Available



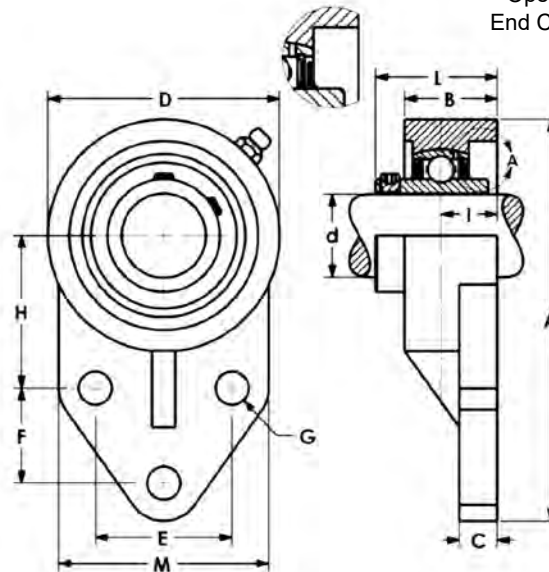
Open and Closed End Covers Optional

**Housing:**

- Material: Reinforced PBT (polybutylene terephthalate)
- Working Temperatures: -10°F to 210°F
- Interchanges with standard housing dimensions
- Sleeves and bushings are Stainless Steel
- Smooth housing designed for washdown
- Excellent chemical resistance
- Grease fitting: AISA 304

**Bearing Insert:**

- Rings: Hard Chrome Coated
- Balls: 440 Stainless Steel
- Set Screws: 410 Stainless Steel
- Slinger & Seal Frame: 302 Stainless Steel
- Retainer: 302 Stainless Steel
- Seal: Silicone
- Lubrication: NSF H1 Food Grade Grease
- Operating Temp Range: -10°F to 250°F
- Options: Triple Lip Seals available on request



Models Available

Part No.	Shaft Size d		Dimensions (mm) (in)										Bearing No.	Housing No.*	Wt. kg	
	mm	in	A	B	C	D	E	F	G	H	I	L				M
CUCTFB204-20MM	20		108.5	26.2	12	62	38.1	22.2	11	42.9	15.4	34.3	62	CUC204-20MM	TFB204 or (TFB204BLK)	0.3
CUCTFB204-12		3/4	4.27	1.03	0.47	2.44	1.5	0.87	0.43	1.69	0.61	1.35	2.44	CUC204-12		
CUCTFB205-25MM	25		120.6	33.5	12	68.5	41.3	28.6	11	46	21	4.08	63.5	CUC205-25MM	TFB205 or (TFB205BLK)	0.4
CUCTFB205-14		7/8	4.75	1.32	0.47	2.7	1.63	1.13	0.43	1.81	0.83	0.16	2.5	CUC205-14		
CUCTFB205-15		15/16												CUC205-15		
CUCTFB205-16		1												CUC205-16		
CUCTFB206-30MM	30		140	31.5	14	83	47.6	31.8	11	52.4	19	41.2	75	CUC206-30MM	TFB206 or (TFB206BLK)	0.7
CUCTFB206-18		1-1/8	5.51	1.24	0.52	3.27	1.87	1.25	0.43	2.06	0.75	1.62	2.95	CUC206-18		
CUCTFB206-19		1-3/16												CUC206-19		
CUCTFB206-20		1-1/4												CUC206-20		
CUCTFB207-35MM	35		157	36.5	16	95	50.8	31.8	13	60.3	21.4	46.4	89	CUC207-35MM	TFB207 or (TFB207BLK)	0.9
CUCTFB207-20		1-1/4	6.18	1.44	0.63	3.74	2	1.25	0.51	2.37	0.84	1.83	3.5	CUC207-20		
CUCTFB207-22		1-3/8												CUC207-22		
CUCTFB207-23		1-7/16												CUC207-23		
CUCTFB208-40MM	40		164	35.7	18	100	50	41.3	13	60.3	21.4	51.2	78	CUC208-40MM	TFB208 or (TFB208BLK)	1.1
CUCTFB208-24		1-1/2	6.46	1.41	0.71	3.94	1.97	1.63	0.51	2.37	0.84	2.02	3.07	CUC208-24		

Note: \*To specify, include BLK as suffix. Example: CUCTFB204-12BLK.

# Corrosion Resistant - Thermoplastic 2-Bolt Flange



## CUCTFL 200 PTI Series

Corrosion Resistant Normal Duty Bearing

PBT Thermoplastic Housing

Set Screw Lock, Solid Flange

Metric and Inch Bores

### Housing:

Material: Reinforced PBT (polybutylene terephthalate)

Working Temperatures: -10°F to 210°F

Interchanges with standard housing dimensions

Sleeves and bushings are Stainless Steel

Smooth housing designed for washdown

Excellent chemical resistance

Grease fitting: AISA 304



Black Housings Available



Open and Closed  
End Covers Optional

### Bearing Insert:

Rings: Hard Chrome Coated

Balls: 440 Stainless Steel

Set Screws: 410 Stainless Steel

Slinger & Seal Frame: 302 Stainless Steel

Retainer: 302 Stainless Steel

Seal: Silicone

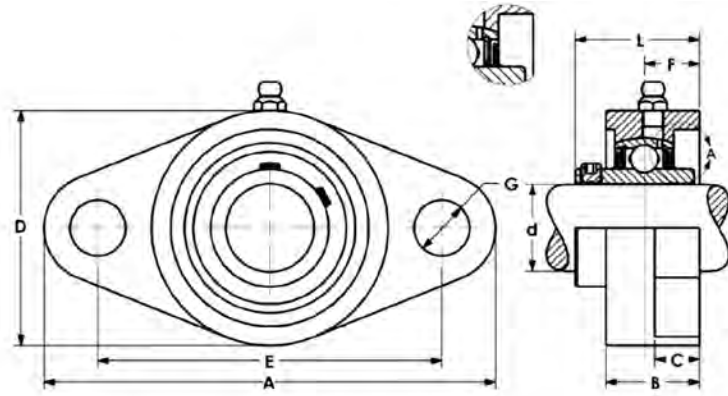
Lubrication: NSF H1 Food Grade Grease

Operating Temp Range: -10°F to 250°F

Options: Triple Lip seals available on request



Models Available



Part No.	Shaft Size d		Dimensions (mm) (in)								Bearing No.	Housing No.*	Wt. kg
	mm	in	A	B	C	D	E	F	G	L			
CUCTFL204-20MM	20		113	26.5	12	64	90	15.4	11	33.3	CUC204-20MM	TFL204 or (TFL204BLK)	0.3
CUCTFL204-12		3/4	4.45	1.04	0.47	2.51	3.54	0.61	0.43	1.31	CUC204-12		
CUCTFL205-25MM	25		131	29.5	14	69	99	17	11	35.8	CUC205-25MM	TFL205 or (TFL205BLK)	0.4
CUCTFL205-14		7/8	5.16	1.16	0.55	2.72	3.9	0.67	0.43	1.41	CUC205-14		
CUCTFL205-15		15/16									CUC205-15		
CUCTFL205-16		1									CUC205-16		
CUCTFL206-30MM	30		148	30.5	14	79	117	19	11	40.2	CUC206-30MM	TFL206 or (TFL206BLK)	0.7
CUCTFL206-18		1-1/8	5.83	1.2	0.55	3.11	4.6	0.75	0.43	1.58	CUC206-18		
CUCTFL206-19		1-3/16									CUC206-19		
CUCTFL206-20		1-1/4									CUC206-20		
CUCTFL207-35MM	35		165	32.8	16	90	130	18	13	44.4	CUC207-35MM	TFL207 or (TFL207BLK)	0.9
CUCTFL207-20		1-1/4	6.5	1.29	0.63	3.54	5.12	0.71	0.51	1.75	CUC207-20		
CUCTFL207-22		1-3/8									CUC207-22		
CUCTFL207-23		1-7/16									CUC207-23		
CUCTFL208-40MM	40		175	37.5	20	99	144	21.5	14	51.2	CUC208-40MM	TFL208 or (TFL208BLK)	1.1
CUCTFL208-24		1-1/2	6.89	1.48	0.79	3.9	5.67	0.85	0.55	2.02	CUC208-24		

Note: \*To specify, include BLK as suffix. Example: CUCTFL204-12BLK.



# Corrosion Resistant - Thermoplastic Take-Up Unit



## CUCTT 200 PTI Series

- Corrosion Resistant Normal Duty Bearing
- PBT Thermoplastic Housing
- Set Screw Lock, Solid Flange
- Metric and Inch Bores
- Narrow Slot



Black Housing Available



Open and Closed End Covers Optional

### Housing:

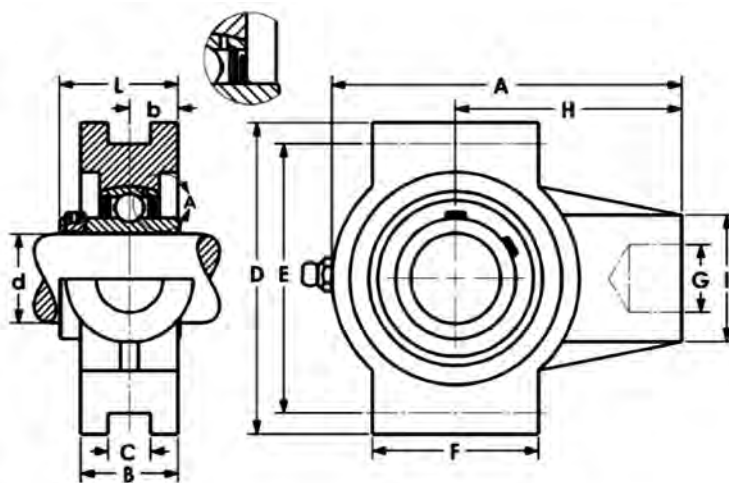
- Material: Reinforced PBT (polybutylene terephthalate)
- Working Temperatures: -10°F to 210°F
- Interchanges with standard housing dimensions
- Sleeves and bushings are Stainless Steel
- Smooth housing designed for washdown
- Excellent chemical resistance
- Grease fitting: AISA 304

### Bearing Insert:

- Rings: Hard Chrome Coated
- Balls: 440 Stainless Steel
- Set Screws: 410 Stainless Steel
- Slinger & Seal Frame: 302 Stainless Steel
- Retainer: 302 Stainless Steel
- Seal: Silicone
- Lubrication: NSF H1 Food Grade Grease
- Operating Temp Range: -10°F to 250°F
- Options: Triple Lip seals available on request



Models Available



Part No.	Shaft Size d		Dimensions (mm) (in)											Bearing No.	Housing No.*	Wt. kg
	mm	in	A	B	b	C**	D	E	F	G	H	I	L			
CUCTT204-20MM	20		99	27.5	12.7	12	88	76	47	—	64	36	31	CUC204-20MM	TT204 or (TT204BLK)	0.4
CUCTT204-12		3/4	3.9	1.08	0.5	0.47	3.46	2.99	1.85	1/2-13	2.52	1.42	1.22	CUC204-12		
CUCTT205-25MM	25		101.5	27.5	14.3	12	88	76	46.5	—	64	35	34.1	CUC205-25MM	TT205 or (TT205BLK)	0.35
CUCTT205-14		7/8	4	1.08	0.56	0.47	3.46	2.99	1.83	1/2-13	2.52	1.38	1.34	CUC205-14		
CUCTT205-15		15/16												CUC205-15		
CUCTT205-16		1												CUC205-16		
CUCTT206-30MM	30		125	34.5	15.9	12	102	89	63	—	76	40	38.1	CUC206-30MM	TT206 or (TT206BLK)	0.65
CUCTT206-18		1-1/8	4.92	1.36	0.63	0.47	4.02	3.5	2.48	5/8-11	2.99	1.57	1.5	CUC206-18		
CUCTT206-19		1-3/16												CUC206-19		
CUCTT206-20		1-1/4												CUC206-20		
CUCTT207-35MM	35		125	34.5	17.5	12	102	89	63	—	76	40	42.9	CUC207-35MM	TT207 or (TT207BLK)	0.5
CUCTT207-20		1-1/4	4.92	1.36	0.69	0.47	4.02	3.5	2.48	5/8-11	2.99	1.57	1.69	CUC207-20		
CUCTT207-22		1-3/8												CUC207-22		
CUCTT207-23		1-7/16												CUC207-23		
CUCTT208-40MM	40		140	34.5	17.5	16	114	102	80	—	85	40	47.5	CUC208-40MM	TT208 or (TT208BLK)	0.65
CUCTT208-24		1-1/2	5.51	1.36	0.69	0.63	4.49	4.02	3.15	5/8-11	3.35	1.57	1.87	CUC208-24		

Note: \*To specify, include BLK as suffix. Example: CUCTT204-12BLK.

# Corrosion Resistant - Nickel Plated Pillow Block



## CUCNP 200 PTI Series

Corrosion Resistant Normal Duty Bearing

Nickel Plated Cast Iron Housing

Set Screw Lock

Metric and Inch Bores

Housing:

Material: Nickel Plated Cast Iron

Bearing Insert:

Rings: Hard Chrome Coated

Balls: 440 Stainless Steel

Set Screws: 410 Stainless Steel

Slinger & Seal Frame: 302 Stainless Steel

Retainer: 302 Stainless Steel

Seal: Silicone

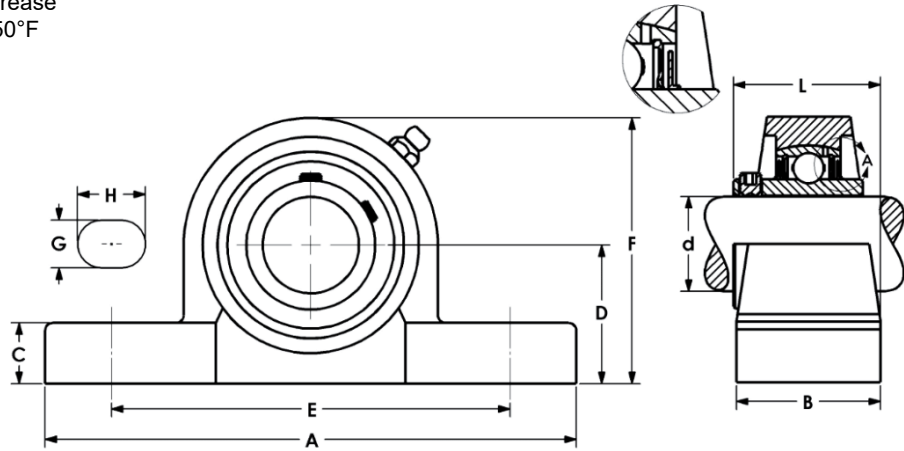
Lubrication: NSF H1 Food Grade Grease

Operating Temp Range: -10°F to 250°F

Options: Triple Lip seal on request



Models Available



Part No.	Shaft Size d		Dimensions (mm) (in)									Bearing No.	Housing No.	Wt. kg
	mm	in	A	B	C	D	E	F	G	H	L			
CUCNP204-20MM	20		127	38	14	33.3	95	65	13	19	37.3	CUC204-20MM	P204NP	0.6
CUCNP204-12		3/4	5	1.5	0.55	1.312	3.75	2.56	0.51	0.75	1.47	CUC204-12		
CUCNP205-25MM	25		140	38	15	36.5	105	71	13	19	38.8	CUC205-25MM	P205NP	0.8
CUCNP205-14		7/8	5.51	1.5	0.59	1.437	4.13	2.84	0.51	0.75	1.53	CUC205-14		
CUCNP205-15		15/16										CUC205-15		
CUCNP205-16		1										CUC205-16		
CUCNP206-30MM	30		165	48	17	42.9	121	83	17	21	46.2	CUC206-30MM	P206NP	1.3
CUCNP206-18		1-1/8	6.5	1.89	0.67	1.687	4.76	3.27	0.67	0.83	1.82	CUC206-18		
CUCNP206-19		1-3/16										CUC206-19		
CUCNP206-20		1-1/4										CUC206-20		
CUCNP207-35MM	35		167	48	18	47.6	127	93	17	21	49.4	CUC207-35MM	P207NP	1.7
CUCNP207-20		1-1/4	6.57	1.89	0.71	1.875	5	3.66	0.67	0.83	1.94	CUC207-20		
CUCNP207-22		1-3/8										CUC207-22		
CUCNP207-23		1-7/16										CUC207-23		
CUCNP208-40MM	40		184	54	18	49.2	137	98	17	21	57.2	CUC208-40MM	P208NP	2.2
CUCNP208-24		1-1/2	7.24	2.13	0.71	1.937	5.39	3.86	0.67	0.83	2.25	CUC208-24		

# Corrosion Resistant - Nickel Plated 4-Bolt Flange



## CUCNF 200 PTI Series

Corrosion Resistant Normal Duty Bearing

Nickel Plated Cast Iron Housing

Set Screw Lock

Metric and Inch Bores

Housing:

Material: Nickel Plated Cast Iron

Bearing Insert:

Rings: Hard Chrome Coated

Balls: 440 Stainless Steel

Set Screws: 410 Stainless Steel

Slinger & Seal Frame: 302 Stainless Steel

Retainer: 302 Stainless Steel

Seal: Silicone

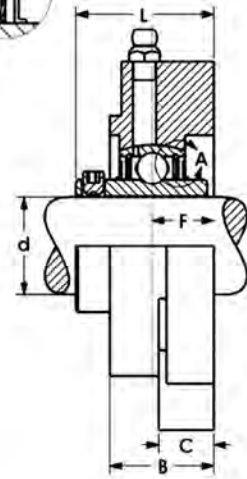
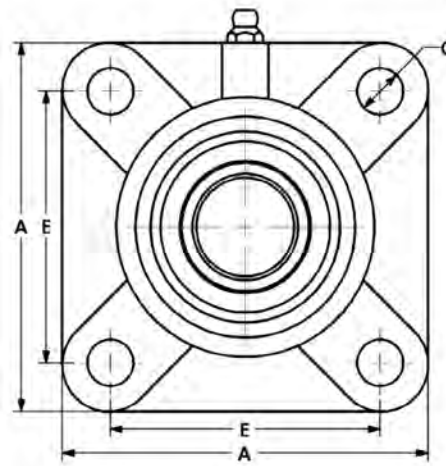
Lubrication: NSF H1 Food Grade Grease

Operating Temp Range: -10°F to 250°F

Options: Triple Lip seals available on request



Models Available



Part No.	Shaft Size d		Dimensions (mm) (in)							Bearing No.	Housing No.	Wt. kg
	mm	in	A	B	C	E	F	G	L			
CUCNF204-20MM	20		86	25.5	12	64	15	12	33.3	CUC204-20MM	F204NP	0.6
CUCNF204-12		3/4	3.39	1	0.47	2.25	0.59	0.47	1.31	CUC204-12		
CUCNF205-25MM	25		95	27	14.3	70	16	12	35.7	CUC205-25MM	F205NP	0.8
CUCNF205-14		7/8	3.74	1.06	0.55	2.76	0.63	0.47	1.41	CUC205-14		
CUCNF205-15		15/16								CUC205-15		
CUCNF205-16		1								CUC205-16		
CUCNF206-30MM	30		108	31	14.3	83	18	12	40.2	CUC206-30MM	F206NP	1.1
CUCNF206-18		1-1/8	4.25	1.22	0.56	3.27	0.71	0.47	1.58	CUC206-18		
CUCNF206-19		1-3/16								CUC206-19		
CUCNF206-20		1-1/4								CUC206-20		
CUCNF207-35MM	35		117	34	15.5	92	19	14	44.4	CUC207-35MM	F207NP	1.5
CUCNF207-20		1-1/4	4.61	1.34	0.61	3.62	0.75	0.55	1.75	CUC207-20		
CUCNF207-22		1-3/8								CUC207-22		
CUCNF207-23		1-7/16								CUC207-23		
CUCNF208-40MM	40		130	36	15.5	102	21	16	51.2	CUC208-40MM	F208NP	1.8
CUCNF208-24		1-1/2	5.12	1.42	0.61	4.02	0.83	0.63	2.02	CUC208-24		

# Corrosion Resistant - Nickel Plated 3-Bolt Flange



## CUCNFB 200 PTI Series

Corrosion Resistant Normal Duty Bearing

Nickel Plated Cast Iron Housing

Set Screw Lock

Metric and Inch Bores



Housing:

Material: Nickel Plated Cast Iron

Bearing Insert:

Rings: Hard Chrome Coated

Balls: 440 Stainless Steel

Set Screws: 410 Stainless Steel

Slinger & Seal Frame: 302 Stainless Steel

Retainer: 302 Stainless Steel

Seal: Silicone

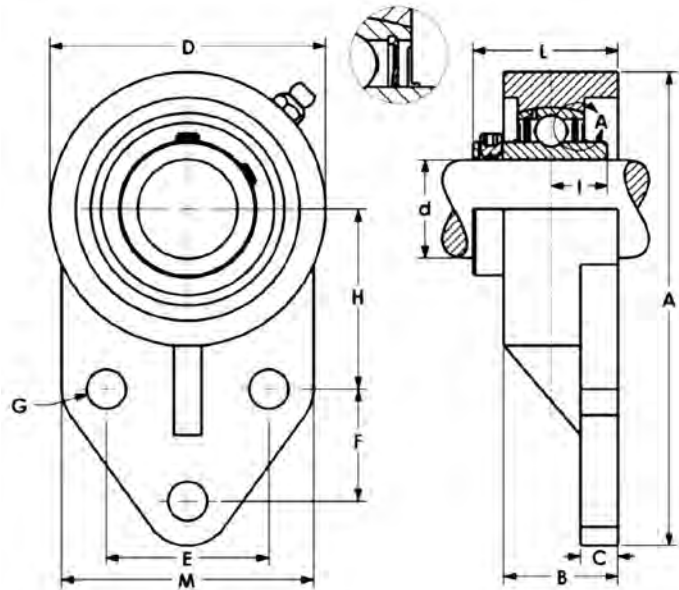
Lubrication: NSF H1 Food Grade Grease

Operating Temp Range: -10°F to 250°F

Options: Triple Lip seals available on request



Models Available



Part No.	Shaft Size d		Dimensions (mm) (in)											Bearing No.	Housing No.	Wt. kg
	mm	in	A	B	C	D	E	F	G	H	I	L	M			
CUCNFB204-20MM	20		108	25.5	8	64	38.1	22.2	10	43	16	34.3	60	CUC204-20MM	FB204NP	0.7
CUCNFB204-12		3/4	4.25	1	0.31	2.52	1.5	0.875	0.4	1.688	0.63	1.35	2.36	CUC204-12		
CUCNFB205-25MM	25		121	29	9.5	70	41.3	28.6	10	46	17	36.8	64	CUC205-25MM	FB205NP	0.8
CUCNFB205-14		7/8	4.76	1.14	0.37	2.76	1.625	1.125	0.4	1.812	0.67	1.45	2.52	CUC205-14		
CUCNFB205-15		15/16												CUC205-15		
CUCNFB205-16		1												CUC205-16		
CUCNFB206-30MM	30		137	32	9.5	83	47.6	31.8	10	52.4	19	41.2	70	CUC206-30MM	FB206NP	1.3
CUCNFB206-18		1-1/8	5.39	1.26	0.37	3.27	1.875	1.252	0.4	2.063	0.75	1.62	2.76	CUC206-18		
CUCNFB206-19		1-3/16												CUC206-19		
CUCNFB206-20		1-1/4												CUC206-20		
CUCNFB207-35MM	35		156	37	13	95	50.8	31.8	10	60	21	46.4	83	CUC207-35MM	FB207NP	1.7
CUCNFB207-20		1-1/4	6.14	1.46	0.51	3.74	2	1.252	0.4	2.362	0.83	1.83	3.27	CUC207-20		
CUCNFB207-22		1-3/8												CUC207-22		
CUCNFB207-23		1-7/16												CUC207-23		
CUCNFB208-40MM	40		164	34	16	100	50	41	12	60	21	51.2	78	CUC208-40MM	FB208NP	2
CUCNFB208-24		1-1/2	6.46	1.34	0.63	3.93	1.968	1.614	0.47	2.362	0.83	2.02	3.08	CUC208-24		

# Corrosion Resistant - Nickel Plated 2-Bolt Flange



## CUCNFL 200 PTI Series

Corrosion Resistant Normal Duty Bearing

Nickel Plated Cast Iron Housing

Set Screw Lock

Metric and Inch Bores

Housing:

Material: Nickel Plated Cast Iron

Bearing Insert:

Rings: Hard Chrome Coated

Balls: 440 Stainless Steel

Set Screws: 410 Stainless Steel

Slinger & Seal Frame: 302 Stainless Steel

Retainer: 302 Stainless Steel

Seal: Silicone

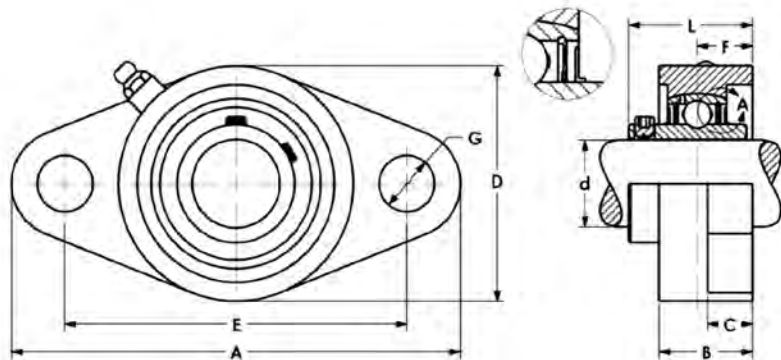
Lubrication: NSF H1 Food Grade Grease

Operating Temp Range: -10°F to 250°F

Options: Triple Lip seals available on request



Models Available



Part No.	Shaft Size d		Dimensions (mm) (in)								Bearing No.	Housing No.	Wt. kg
	mm	in	A	B	C	D	E	F	G	L			
CUCNFL204-20MM	20		113	25.5	11	60	90	15	12	33.3	CUC204-20MM	FL204NP	0.5
CUCNFL204-12		3/4	4.45	1	0.43	2.36	3.54	0.59	0.47	1.31	CUC204-12		
CUCNFL205-25MM	25		130	27	13	68	99	16	16	35.8	CUC205-25MM	FL205NP	0.7
CUCNFL205-14		7/8	5.12	1.06	0.51	2.68	3.90	0.63	0.63	1.41	CUC205-14		
CUCNFL205-15		15/16									CUC205-15		
CUCNFL205-16		1									CUC205-16		
CUCNFL206-30MM	30		148	31	13	80	117	18	16	40.2	CUC206-30MM	FL206NP	1
CUCNFL206-18		1-1/8	5.83	1.22	0.51	3.15	4.61	0.71	0.63	1.58	CUC206-18		
CUCNFL206-19		1-3/16									CUC206-19		
CUCNFL206-20		1-1/4									CUC206-20		
CUCNFL207-35MM	35		161	34	15	90	130	19	16	44.4	CUC207-35MM	FL207NP	1.3
CUCNFL207-20		1-1/4	6.34	1.34	0.59	3.54	5.12	0.75	0.63	1.75	CUC207-20		
CUCNFL207-22		1-3/8									CUC207-22		
CUCNFL207-23		1-7/16									CUC207-23		
CUCNFL208-40MM	40		175	36	15	100	144	21	16	51.2	CUC208-40MM	FL208NP	1.6
CUCNFL208-24		1-1/2	6.89	1.42	0.59	3.94	5.67	0.83	0.63	2.02	CUC208-24		

# Corrosion Resistant - Nickel Plated 2-Bolt Flange



## CUCNFT 200 PTI Series

Corrosion Resistant Normal Duty Bearing

Nickel Plated Cast Iron Housing

Set Screw Lock

Metric and Inch Bores

Housing:

Material: Nickel Plated Cast Iron

Bearing Insert:

Rings: Hard Chrome Coated

Balls: 440 Stainless Steel

Set Screws: 410 Stainless Steel

Slinger & Seal Frame: 302 Stainless Steel

Retainer: 302 Stainless Steel

Seal: Silicone

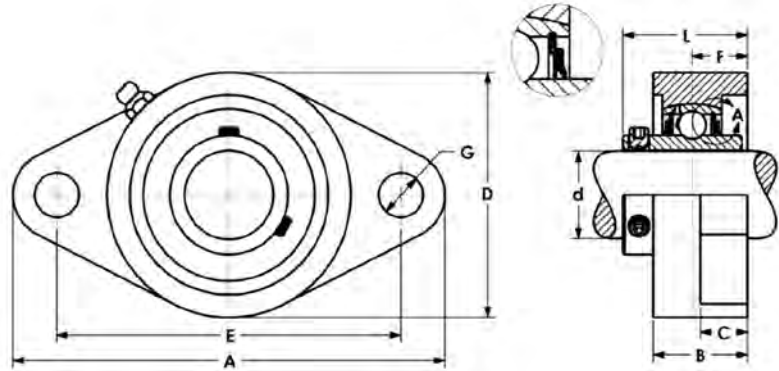
Lubrication: NSF H1 Food Grade Grease

Operating Temp Range: -10°F to 250°F

Options: Triple Lip seals available on request



Models Available



Part No.	Shaft Size d		Dimensions (mm) (in)								Bearing No.	Housing No.	Wt. kg
	mm	in	A	B	C	D	E	F	G	L			
CUCNFT204-20MM	20		112	24.6	11	60.3	89.2	14.29	10.3	32.6	CUC204-20MM	FT204NP	0.6
CUCNFT204-12		3/4	4.41	0.97	0.43	2.38	3.51	0.56	0.41	1.28	CUC204-12		
CUCNFT205-25MM	25		124	27	13.5	70	98.8	15.87	12.7	35.6	CUC205-25MM	FT205NP	0.7
CUCNFT205-14		7/8	4.87	1.06	0.53	2.75	3.89	0.63	0.50	1.4	CUC205-14		
CUCNFT205-15		15/16									CUC205-15		
CUCNFT205-16		1									CUC205-16		
CUCNFT206-30MM	30		141	30	13.5	83	116.7	17.86	12.7	40	CUC206-30MM	FT206NP	1
CUCNFT206-18		1-1/8	5.56	1.19	0.53	3.25	4.59	0.70	0.50	1.57	CUC206-18		
CUCNFT206-19		1-3/16									CUC206-19		
CUCNFT206-20		1-1/4									CUC206-20		
CUCNFT207-35MM	35		155	34	14.3	95	130	19.05	14	44.5	CUC207-35MM	FT207NP	1.4
CUCNFT207-20		1-1/4	6.10	1.34	0.56	3.75	5.12	0.75	0.55	1.75	CUC207-20		
CUCNFT207-22		1-3/8									CUC207-22		
CUCNFT207-23		1-7/16									CUC207-23		
CUCNFT208-40MM	40		171	38	14.3	105	143.7	21.03	14	51.2	CUC208-40MM	FT208NP	1.8
CUCNFT208-24		1-1/2	6.73	1.50	0.56	4.13	5.65	0.83	0.55	2.02	CUC208-24		

# Corrosion Resistant Ball Bearing Inserts



## CUC 200 PTI Series

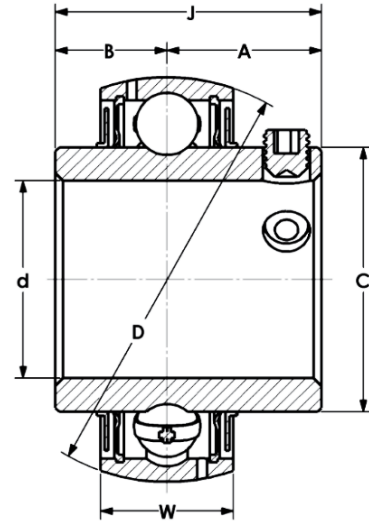
Chrome Coated Normal Duty

Set Screw Lock

Metric and Inch Bores

### Key Features:

- Rings: Hard Chrome Coated
- Balls: 440 Stainless Steel
- Set Screws: 410 Stainless Steel
- Slinger & Seal Frame: 302 Stainless Steel
- Retainer: 302 Stainless Steel
- Seal: Silicone
- Lubrication: NSF H1 Food Grade Grease
- Operating Temp Range: -10°F to 250°F
- Options: Triple Lip seals available on request



Part No.	Shaft Size d		Dimensions (mm) (in)						Load Ratings		Max rpm	Wt. kg
	mm	in	A	B	C	D	J	W	Dynamic C <sub>N</sub> lbf	Static C <sub>O</sub> N lbf		
CUC204-20MM	20		18.3	12.7	28.5	47	31	17	12800	6600	7450	0.4
CUC204-12		3/4	0.72	0.5	1.12	1.85	1.22	0.67	2900	1600		
CUC205-25MM	25		19.8	14.3	34	52	34.1	17	13810	7700	6250	0.4
CUC205-14		7/8	0.78	0.56	1.34	2.047	1.34	0.67	3140	1750		
CUC205-15 CUC205-16		15/16 1										
CUC206-30MM	30		22.2	15.9	40	62	38.1	19	18920	11000	5300	0.7
CUC206-18		1-1/8	0.87	0.63	1.57	2.441	1.5	0.75	4300	2500		
CUC206-19		1-3/16										
CUC206-20		1-1/4										
CUC207-35MM	35		25.4	17.5	46.7	72	42.9	20	25430	15130	4500	1.08
CUC207-20		1-1/4	1	0.69	1.84	2.835	1.69	0.79	5780	3440		
CUC207-22		1-3/8										
CUC207-23		1-7/16										
CUC208-40MM	40		30.2	19	52.7	80	49.2	21	32030	19580	4000	1.4
CUC208-24		1-1/2	1.19	0.75	2.07	3.15	1.94	0.83	7580	4450		

Note: Other sizes available on request. For Triple Lip seals, add **L3** as a suffix to the part no.

# Thermoplastic Pillow Block



## SUCTP 200 PTI Series

**Stainless Steel Normal Duty Bearing**  
**PBT White / Black Thermoplastic Housing**  
**Set Screw Lock, Solid Base**  
**Metric and Inch Bores**



PBT Black Housing available

### Housing:

Material: Reinforced PBT (polybutylene terephthalate)  
 Working Temperatures: -10°F to 210°F  
 Interchanges with standard housing dimensions  
 Sleeves and bushings are stainless steel  
 Solid base, smooth housing designed for washdown  
 Excellent chemical resistance  
 Grease Fitting: AISI 304



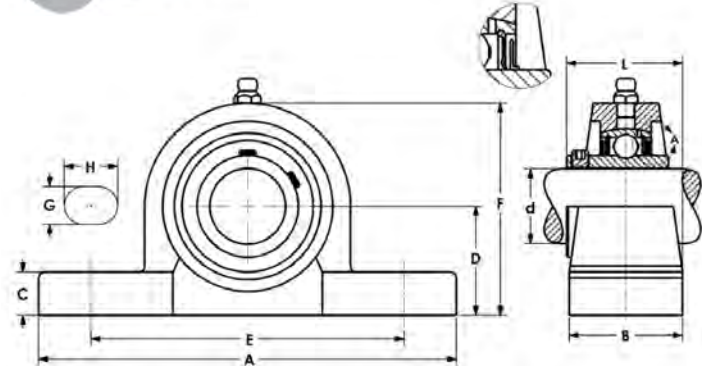
Open and Closed  
 End Covers Optional



Models Available

### Bearing Insert:

Inner & Outer Race: AISI 440C Stainless  
 Cage & Set Screw: AISI 302 Stainless  
 Balls: AISI 440C Stainless  
 Seals: Rubber & AISI 302 Stainless  
 Grease: Mobil FM222 NSF H-1 Food Grade  
 End covers available from stock



Part No.	Shaft Size d		Dimensions (mm) (in)									Bearing No.	Housing No.	Wt. kg
	mm	in	A	B	C	D	E	F	G	H	L			
SUCTP201-8		1/2	127	38	14.2	33.3	95	65	11	14	37.3	SUC201-8	TP204	0.3
SUCTP202-10		5/8	5.00	1.50	0.56	1.312	3.74	2.56	0.43	0.55	1.47	SUC202-10	(TP204BLK)	
SUCTP204-20MM	20		127	37.5	14.5	33.3	95	65	11	14	37.3	SUC204-20MM	TP204	0.3
SUCTP204-12		3/4	5.00	1.48	0.57	1.312	3.74	2.56	0.43	0.55	1.47	SUC204-12	(TP204BLK)	
SUCTP205-25MM	25		140.5	37.5	14.5	36.5	105	71.5	11	14	38.8	SUC205-25MM	TP205	0.4
SUCTP205-14		7/8	5.53	1.48	0.57	1.437	4.13	2.81	0.43	0.55	1.53	SUC205-14	TP205A*	
SUCTP205-15		15/16										SUC205-15	(TP205BLK)	
SUCTP205-16		1										SUC205-16		
SUCTP206-30MM	30		163.5	46	17.8	42.9	119	83.5	14	18	45.2	SUC206-30MM	TP206	0.7
SUCTP206-18		1-1/8	6.44	1.81	0.70	1.687	4.69	3.29	0.55	0.71	1.78	SUC206-18	(TP206BLK)	
SUCTP206-19		1-3/16										SUC206-19		
SUCTP206-20		1-1/4										SUC206-20		
SUCTP207-35MM	35		168.5	47.5	18	47.6	127	94.5	14	18	49.4	SUC207-35MM	TP207	0.9
SUCTP207-20		1-1/4	6.63	1.87	0.71	1.875	5.00	3.72	0.55	0.71	1.94	SUC207-20	(TP207BLK)	
SUCTP207-22		1-3/8										SUC207-22		
SUCTP207-23		1-7/16										SUC207-23		
SUCTP208-40MM	40		184	53.5	20	49.2	137	99	14	18	57.2	SUC208-40MM	TP208	1.1
SUCTP208-24		1-1/2	7.24	2.11	0.79	1.937	5.39	3.90	0.55	0.71	2.25	SUC208-24	(TP208BLK)	
SUCTP209-45MM	45		192	53.5	22.5	54	146	106	17	20	57.2	SUC209-45MM	TP209	1.3
SUCTP209-27		1-11/16	7.56	2.11	0.89	2.125	5.75	4.17	0.67	0.79	2.25	SUC209-27	(TP209BLK)	
SUCTP209-28		1-3/4										SUC209-28		
SUCTP210-50MM	50		206	60	22.5	57.2	159	114	17	20	62.6	SUC210-50MM	TP210	1.5
SUCTP210-31		1-15/16	8.11	2.36	0.89	2.250	6.26	4.49	0.67	0.79	2.46	SUC210-31	(TP210BLK)	
SUCTP210-32		2										SUC210-32		
SUCTP211-55MM	55		220	60	22.5	63.5	171	126.5	17	20	93.4	SUC211-55MM	TP211	1.9
SUCTP211-32		2	8.66	2.36	0.89	2.50	6.73	4.98	0.67	0.79	3.68	SUC211-32	(TP211BLK)	
SUCTP211-35		2-3/16										SUC211-35		
SUCTP212-60MM	60		241	70	26.5	69.8	184	137.5	17	20	109.7	SUC212-60MM	TP212	2.6
SUCTP212-39		2-7/16	9.49	2.76	1.04	2.75	7.24	5.41	0.67	0.79	4.32	SUC212-39	(TP212BLK)	

Note: For Black Housing include BLK as suffix. Example: SUCTP204-12BLK. \*TP205A lube fitting at 45°.



# Thermoplastic Pillow Block



## SHCTP 200 PTI Series

**Stainless Steel Normal Duty Bearing**  
**PBT White / Black Thermoplastic Housing**  
**Eccentric Lock Collar, Solid Base**  
**Metric and Inch Bores**



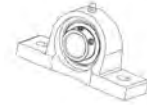
PBT Black Housing available

### Housing:

- Material: Reinforced PBT (polybutylene terephthalate)
- Working Temperatures: -10°F to 210°F
- Interchanges with standard housing dimensions
- Sleeves and bushings are stainless steel
- Solid base, smooth housing designed for washdown
- Excellent chemical resistance
- Grease Fitting: AISI 304



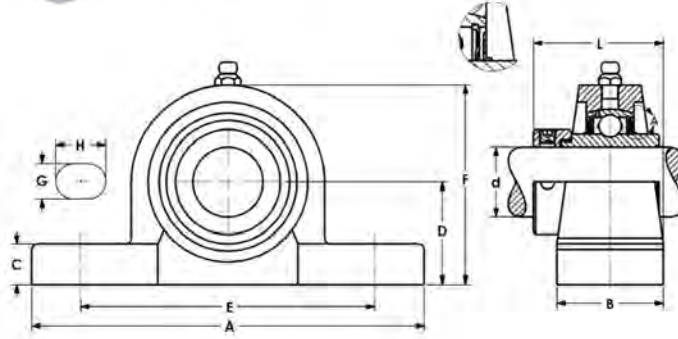
Open and Closed End Covers Optional



Models Available

### Bearing Insert:

- Inner & Outer Race: AISI 440C Stainless
- Cage & Set Screw: AISI 302 Stainless
- Collar: AISI 304 Stainless
- Balls: AISI 440C Stainless
- Seals: Rubber & AISI 302 Stainless
- Grease: Mobil FM222 NSF H-1 Food Grade
- End covers available from stock



Part No.	Shaft Size d		Dimensions (mm) (in)									Bearing No.	Housing No.	Wt. kg
	mm	in	A	B	C	D	E	F	G	H	L			
SHCTP201-8		1/2	127	37.5	14.2	33.3	95	65	11	14	45.6	SHC201-8	TP204	0.3
SHCTP202-10		5/8	5.00	1.48	0.56	1.312	3.74	2.56	0.43	0.55	1.80	SHC202-10	(TP204BLK)	
SHCTP204-20MM	20		127	37.5	14.5	33.3	95	65	11	14	45.6	SHC204-20MM	TP204	0.3
SHCTP204-12		3/4	5.00	1.48	0.57	1.312	3.74	2.56	0.43	0.55	1.80	SHC204-12	(TP204BLK)	
SHCTP205-25MM	25		140.5	37.5	14.5	36.5	105	71.5	11	14	45.9	SHC205-25MM	TP205	0.4
SHCTP205-14		7/8	5.53	1.48	0.57	1.437	4.13	2.81	0.43	0.55	1.81	SHC205-14	TP205A*	
SHCTP205-15		15/16										SHC205-15	(TP205BLK)	
SHCTP205-16		1										SHC205-16		
SHCTP206-30MM	30		163.5	46	17.8	42.9	119	83.5	14	18	53.1	SHC206-30MM	TP206	0.7
SHCTP206-18		1-1/8	6.44	1.81	0.70	1.687	4.69	3.29	0.55	0.71	2.09	SHC206-18	(TP206BLK)	
SHCTP206-19		1-3/16										SHC206-19		
SHCTP206-20		1-1/4										SHC206-20		
SHCTP207-35MM	35		168.5	47.5	18	47.6	127	94.5	14	18	56.3	SHC207-35MM	TP207	0.9
SHCTP207-20		1-1/4	6.63	1.87	0.71	1.875	5.00	3.72	0.55	0.71	2.22	SHC207-20	(TP207BLK)	
SHCTP207-22		1-3/8										SHC207-22		
SHCTP207-23		1-7/16										SHC207-23		
SHCTP208-40MM	40		184	53.5	20	49.2	137	99	14	18	61.9	SHC208-40MM	TP208	1.1
SHCTP208-24		1-1/2	7.24	2.11	0.79	1.937	5.39	3.90	0.55	0.71	2.44	SHC208-24	(TP208BLK)	
SHCTP209-45MM	45		192	53.5	22.5	54	146	106	17	20	61.9	SHC209-45MM	TP209	1.3
SHCTP209-28		1-3/4	7.56	2.11	0.89	2.125	5.75	4.17	0.67	0.79	2.44	SHC209-28	(TP209BLK)	
SHCTP210-50MM	50		206	60	22.5	57.2	159	114	17	20	68.1	SHC210-50MM	TP210	1.5
SHCTP210-31		1-15/16	8.11	2.36	0.89	2.250	6.26	4.49	0.67	0.79	2.68	SHC210-31	(TP210BLK)	
SHCTP210-32		2										SHC210-32		
SHCTP211-55MM	55		220	60	22.5	63.5	171	126.5	17	20	73.6	SHC211-55MM	TP211	1.9
SHCTP211-32		2	8.66	2.36	0.89	2.50	6.73	4.98	0.67	0.79	2.90	SHC211-32	(TP211BLK)	
SHCTP211-35		2-3/16										SHC211-35		
SHCTP212-60MM	60		241	70	26.5	69.8	184	137.5	17	20	81.8	SHC212-60MM	TP212	2.6
SHCTP212-39		2-7/16	9.49	2.76	1.04	2.75	7.24	5.43	0.67	0.79	3.22	SHC212-39	(TP212BLK)	

Note: For Black Housing include BLK as suffix. Example: SHCTP204-12BLK. \*TP205A Lube Fitting at 45°.

# Thermoplastic Tapped Base

## SUCTTB 200 PTI Series

**Stainless Steel Normal Duty Bearing**  
**PBT Thermoplastic Housing**  
**Set Screw Lock, Solid Base**  
**Metric and Inch Bores**



PBT Black Housing available

### Housing:

Material: Reinforced PBT (polybutylene terephthalate)  
 Working Temperatures: -10°F to 210°F  
 Interchanges with standard housing dimensions  
 Sleeves and bushings are stainless steel  
 Solid base, smooth housing designed for washdown  
 Excellent chemical resistance  
 Grease Fitting: AISI 304



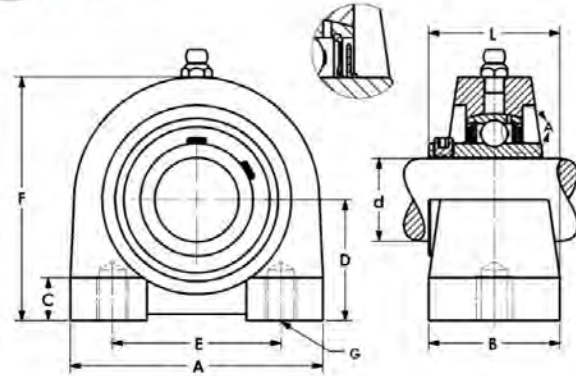
Open and Closed End Covers Optional

### Bearing Insert:

Inner & Outer Race: AISI 440C Stainless  
 Cage & Set Screw: AISI 302 Stainless  
 Balls: AISI 440C Stainless  
 Seals: Rubber & AISI 302 Stainless  
 Grease: Mobil FM222 NSF H-1 Food Grade  
 End covers available from stock



Models Available



Part No.	Shaft Size d		Dimensions (mm) (in)								Bearing No.	Housing No.	Wt. kg
	mm	in	A	B	C	D	E	F	G	L			
SUCTTB201-8		1/2	72.8	34.5	12.7	33.3	50.8	66	—	35.6	SUC201-8	TTB204	0.3
SUCTTB202-10		5/8	2.87	1.36	0.5	1.31	2.0	2.60	3/8-16	1.40	SUC202-10	(TTB204BLK)	
SUCTTB204-20MM	20		72.8	34.5	12.7	33.3	50.8	66	—	35.6	SUC204-20MM	TTB204	0.3
SUCTTB204-12		3/4	2.87	1.36	0.50	1.31	2.0	2.60	3/8-16	1.40	SUC204-12	(TTB204BLK)	
SUCTTB205-25MM	25		76.2	39.5	14.3	36.5	50.8	73.5	—	39.6	SUC205-25MM	TTB205	0.4
SUCTTB205-14		7/8	3.00	1.56	0.56	1.44	2.0	2.89	3/8-16	1.56	SUC205-14	TTB205	
SUCTTB205-15		15/16									SUC205-15	(TTB205BLK)	
SUCTTB205-16		1									SUC205-16		
SUCTTB206-30MM	30		101	42.5	15.9	42.9	76.2	84	—	43.5	SUC206-30MM	TTB206	0.7
SUCTTB206-18		1-1/8	3.98	1.67	0.63	1.69	3.00	3.31	7/16-14	1.71	SUC206-18	TTB206	
SUCTTB206-19		1-3/16									SUC206-19	(TTB206BLK)	
SUCTTB206-20		1-1/4									SUC206-20		
SUCTTB207-35MM	35		110	47.5	17.5	47.6	82.6	95	—	49.2	SUC207-35MM	TTB207	0.9
SUCTTB207-20		1-1/4	4.33	1.87	0.69	1.87	3.25	3.74	1/2-13	1.94	SUC207-20	TTB207	
SUCTTB207-22		1-3/8									SUC207-22	(TTB207BLK)	
SUCTTB207-23		1-7/16									SUC207-23		
SUCTTB208-40MM	40		120	48	19	49.2	88.9	100.5	—	54.2	SUC208-40MM	TTB208	1.1
SUCTTB208-24		1-1/2	4.72	1.89	0.75	1.94	3.50	3.96	1/2-13	2.13	SUC208-24	(TTB208BLK)	
SUCTTB209-45MM	45		124	54	19	54	95.3	107	—	55.2	SUC209-45MM	TTB209	1.3
SUCTTB209-27		1-11/16	4.88	2.13	0.75	2.13	3.75	4.21	1/2-13	2.17	SUC209-27	TTB209	
SUCTTB209-28		1-3/4									SUC209-28	(TTB209BLK)	
SUCTTB210-50MM	50		135	54	19	57.2	101.6	115	—	59.6	SUC210-50MM	TTB210	1.5
SUCTTB210-31		1-15/16	5.31	2.13	0.75	2.25	4.00	4.53	5/8-11	2.35	SUC210-31	TTB210	
SUCTTB210-32		2									SUC210-32	(TTB210BLK)	

Note: ■TPA205X Housing size with 56mm or 2-13/64" bolt centers also stocked. For Black Housing include BLK as suffix.

Example: SUCTTB204-12BLK.

# Thermoplastic Tapped Base



## SHCTTB 200 PTI Series

**Stainless Steel Normal Duty Bearing**  
**PBT Thermoplastic Housing**  
**Eccentric Lock Collar, Solid Base**  
**Metric and Inch Bores**



PBT Black Housing available

### Housing:

- Material: Reinforced PBT (polybutylene terephthalate)
- Working Temperatures: -10°F to 210°F
- Interchanges with standard housing dimensions
- Sleeves and bushings are stainless steel
- Solid base, smooth housing designed for washdown
- Excellent chemical resistance
- Grease Fitting: AISI 304



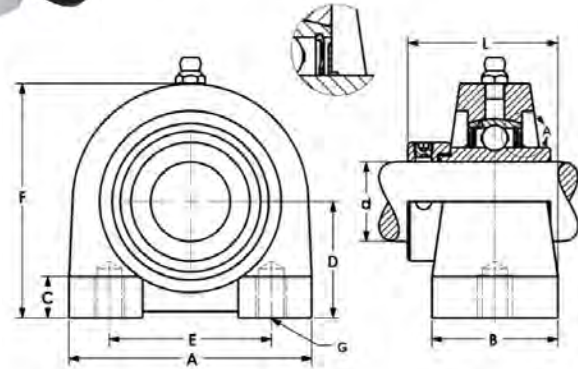
Open and Closed End Covers Optional

### Bearing Insert:

- Inner & Outer Race: AISI 440C Stainless
- Cage & Set Screw: AISI 302 Stainless
- Collar: AISI 304 Stainless
- Balls: AISI 440C Stainless
- Seals: Rubber & AISI 302 Stainless
- Grease: Mobil FM222 NSF H-1 Food Grade



Models Available



Part No.	Shaft Size d		Dimensions (mm) (in)								Bearing No.	Housing No.	Wt. kg
	mm	in	A	B	C	D	E	F	G**	L			
SHCTTB201-8		1/2	72.8	34.5	10	33.3	50.8	66	—	43.85	SHC201-8	TTB204 (TTB204BLK)	0.3
SHCTTB202-10		5/8	2.87	1.36	0.39	1.312	2.0	2.60	3/8-16	1.73	SHC202-10		
SHCTTB204-20MM	20		72.8	34.5	12.7	33.3	50.8	66	—	43.85	SHC204-20MM	TTB204 (TTB204BLK)	0.3
SHCTTB204-12		3/4	2.87	1.36	0.50	1.31	2.0	2.60	3/8-16	1.73	SHC204-12		
SHCTTB205-25MM	25		76.2	39.5	14.3	36.5	50.8	73.5	—	46.65	SHC205-25MM	TTB205■ (TTB205BLK)	0.4
SHCTTB205-14		7/8	3.00	1.56	0.56	1.44	2.0	2.89	3/8-16	1.84	SHC205-14		
SHCTTB205-15		15/16									SHC205-15		
SHCTTB205-16		1									SHC205-16		
SHCTTB206-30MM	30		101	42.5	15.9	42.9	76.2	84	—	51.35	SHC206-30MM	TTB206 (TTB206BLK)	0.7
SHCTTB206-18		1-1/8	3.98	1.67	0.63	1.69	3.00	3.31	7/16-14	2.02	SHC206-18		
SHCTTB206-19		1-3/16									SHC206-19		
SHCTTB206-20		1-1/4									SHC206-20		
SHCTTB207-35MM	35		110	47.5	17.5	47.6	82.6	95	—	56.05	SHC207-35MM	TTB207 (TTB207BLK)	0.9
SHCTTB207-20		1-1/4	4.33	1.87	0.69	1.87	3.25	3.74	1/2-13	2.21	SHC207-20		
SHCTTB207-22		1-3/8									SHC207-22		
SHCTTB207-23		1-7/16									SHC207-23		
SHCTTB208-40MM	40		120	48	19	49.2	88.9	100.5	—	58.9	SHC208-40MM	TTB208 (TTB208BLK)	1.1
SHCTTB208-24		1-1/2	4.72	1.89	0.75	1.94	3.50	3.96	1/2-13	2.32	SHC208-24		
SHCTTB209-45MM	45		124	54	19	54	95.3	107	—	59.9	SHC209-45MM	TTB209 (TTB209BLK)	1.3
SHCTTB209-27		1-11/16	4.88	2.13	0.75	2.13	3.75	4.21	1/2-13	2.36	SHC209-27		
SHCTTB209-28		1-3/4									SHC209-28		
SHCTTB210-50MM	50		135	54	19	57.2	101.6	115	—	65.1	SHC210-50MM	TTB210 (TTB210BLK)	1.5
SHCTTB210-31		1-15/16	5.31	2.13	0.75	2.25	4.00	4.53	5/8-11	2.56	SHC210-31		
SHCTTB210-32		2									SHC210-32		

Note: ■TPA205X Housing size with 56mm or 2-13/64" bolt centers also stocked. For Black Housing include BLK as suffix. Example: SHCTTB204-12BLK. \*\* Metric threads available upon request.

# Thermoplastic 4-Bolt Flange Units



## SUCTF 200 PTI Series

**Stainless Steel Normal Duty Bearing**  
**PBT Thermoplastic Housing**  
**Set Screw Lock, Solid Base**  
**Metric and Inch Bores**



PBT Black Housing  
available

### Housing:

Material: Reinforced PBT (polybutylene terephthalate)  
 Working Temperatures: -10°F to 210°F  
 Interchanges with standard housing dimensions  
 Sleeves and bushings are stainless steel  
 Solid base, smooth housing designed for washdown  
 Excellent chemical resistance  
 Grease Fitting: AISI 304

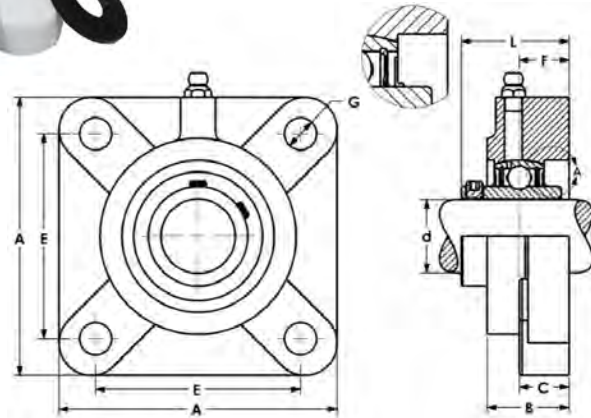
### Bearing Insert:

Inner & Outer Race: AISI 440C Stainless  
 Cage & Set Screw: AISI 302 Stainless  
 Balls: AISI 440C Stainless  
 Seals: Rubber & AISI 302 Stainless  
 Grease: Mobil FM222 NSF H-1 Food Grade  
 End covers and Back covers are available from stock



Open and Closed End Covers Optional

Models Available



Part No.	Shaft Size d		Dimensions (mm) (in)							Bearing No.	Housing No	Wt. kg
	mm	in	A	B	C	E	F	G	L			
SUCTF201-8		1/2	86	27.8	13.4	63.5	17	11	36.3	SUC201-8	TF204	0.3
SUCTF202-10		5/8	3.38	1.09	0.50	2.50	0.67	0.47	1.43	SUC202-10	(TF204BLK)	
SUCTF204-20MM	20		86	27.8	14	63.5	17	11	36.3	SUC204-20MM	TF204	0.3
SUCTF204-12		3/4	3.38	1.09	0.55	2.50	0.67	0.47	1.43	SUC204-12	(TF204BLK)	
SUCTF205-25MM	25		95	28	14.5	70	17	11	36.8	SUC205-25MM		0.4
SUCTF205-14		7/8	3.75	1.10	0.57	2.75	0.67	0.47	1.45	SUC205-14	TF205	
SUCTF205-15		15/16								SUC205-15	(TF205BLK)	
SUCTF205-16		1								SUC205-16		
SUCTF206-30MM	30		107	31.5	14.3	83	19	11	41.4	SUC206-30MM		0.7
SUCTF206-18		1-1/8	4.21	1.24	0.56	3.25	0.75	0.47	1.63	SUC206-18	TF206	
SUCTF206-19		1-3/16								SUC206-19	(TF206BLK)	
SUCTF206-20		1-1/4								SUC206-20		
SUCTF207-35MM	35		117	34.8	16	92	20	13	46.9	SUC207-35MM		0.9
SUCTF207-20		1-1/4	4.61	1.37	0.63	3.63	0.79	0.55	1.85	SUC207-20	TF207	
SUCTF207-22		1-3/8								SUC207-22	(TF207BLK)	
SUCTF207-23		1-7/16								SUC207-23		
SUCTF208-40MM	40		128.5	36.5	17.5	102	21	14	53.2	SUC208-40MM		1.1
SUCTF208-24		1-1/2	5.06	1.44	0.69	4.00	0.83	0.63	2.09	SUC208-24	(TF208BLK)	
SUCTF209-45MM	45		137	41	19.5	105	22	17	54.2	SUC209-45MM		1.3
SUCTF209-27		1-11/16	5.39	1.61	0.77	4.13	0.87	0.67	2.13	SUC209-27	TF209	
SUCTF209-28		1-3/4								SUC209-28	(TF209BLK)	
SUCTF210-50MM	50		143	42	20	111	23	17	57.6	SUC210-50MM		1.5
SUCTF210-31		1-15/16	5.63	1.65	0.79	4.37	0.91	0.67	2.27	SUC210-31	TF210	
SUCTF210-32		2								SUC210-32	(TF210BLK)	
SUCTF211-55MM	55		162	42	20	130	24	19	58.4	SUC211-55MM		2.1
SUCTF211-32		2	6.30	1.65	0.79	5.12	0.94	0.75	2.30	SUC211-32	TF211	
SUCTF211-35		2-3/16								SUC211-35	(TF211BLK)	
SUCTF212-60MM	60		175	48	18.5	143	26	19	68.7	SUC212-60MM		2.5
SUCTF212-39		2-7/16	6.89	1.89	0.73	5.63	1.02	0.75	2.70	SUC212-39	(TF212BLK)	

Note: For Black Housing include BLK as suffix. Example: SUCTF204-12BLK.

# Thermoplastic 4-Bolt Flange Units



## SHCTF 200 PTI Series

**Stainless Steel Normal Duty Bearing**  
**PBT Thermoplastic Housing**  
**Eccentric Lock Collar, Solid Base**  
**Metric and Inch Bores**



PBT Black Housing available

### Housing:

- Material: Reinforced PBT (polybutylene terephthalate)
- Working Temperatures: -10°F to 210°F
- Interchanges with standard housing dimensions
- Sleeves and bushings are stainless steel
- Solid base, smooth housing designed for washdown
- Excellent chemical resistance
- Grease Fitting: AISI 304

### Bearing Insert:

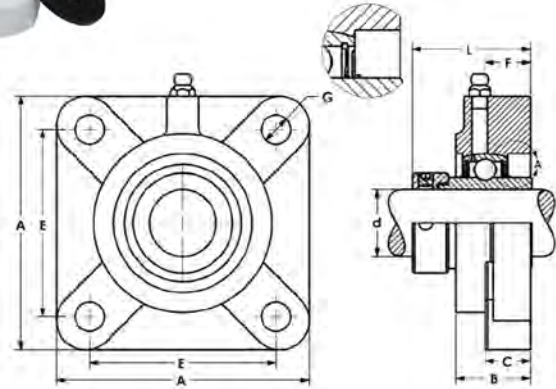
- Inner & Outer Race: AISI 440C Stainless
- Cage & Set Screw: AISI 302 Stainless
- Collar: AISI 304 Stainless
- Balls: AISI 440C Stainless
- Seals: Rubber & AISI 302 Stainless
- Grease: Mobil FM222 NSF H-1 Food Grade



Open and Closed End Covers Optional



Models Available



Part No.	Shaft Size d		Dimensions (mm) (in)							Bearing No.	Housing No	Wt. kg
	mm	in	A	B	C	E	F	G	L			
SHCTF201-8		1/2	86	27.8	13.4	63.5	17	11	44.6	SHC201-8	TF204	0.3
SHCTF202-10		5/8	3.38	1.09	0.50	2.50	0.67	0.47	1.76	SHC202-10	(TF204BLK)	
SHCTF204-20MM	20		86	27.8	14	63.5	17	11	44.6	SHC204-20MM	TF204	0.3
SHCTF204-12		3/4	3.38	1.09	0.55	2.50	0.67	0.47	1.76	SHC204-12	(TF204BLK)	
SHCTF205-25MM	25		95	28	14.5	70	17	11	43.9	SHC205-25MM		0.4
SHCTF205-14		7/8	3.75	1.10	0.57	2.75	0.67	0.47	1.73	SHC205-14	TF205	
SHCTF205-15		15/16								SHC205-15	(TF205BLK)	
SHCTF205-16		1								SHC205-16		
SHCTF206-30MM	30		107	31.5	14.3	83	19	11	49.3	SHC206-30MM		0.7
SHCTF206-18		1-1/8	4.21	1.24	0.56	3.25	0.75	0.47	1.94	SHC206-18	TF206	
SHCTF206-19		1-3/16								SHC206-19	(TF206BLK)	
SHCTF206-20		1-1/4								SHC206-20		
SHCTF207-35MM	35		117	34.8	16	92	20	13	53.8	SHC207-35MM		0.9
SHCTF207-20		1-1/4	4.61	1.37	0.63	3.63	0.79	0.55	2.12	SHC207-20	TF207	
SHCTF207-22		1-3/8								SHC207-22	(TF207BLK)	
SHCTF207-23		1-7/16								SHC207-23		
SHCTF208-40MM	40		128.5	36.5	17.5	102	21	14	57.9	SHC208-40MM		1.1
SHCTF208-24		1-1/2	5.06	1.44	0.69	4.00	0.83	0.63	2.28	SHC208-24	TF208	
SHCTF209-45MM	45		137	41	19.5	105	22	17	58.9	SHC209-45MM		1.3
SHCTF209-27		1-11/16	5.39	1.61	0.77	4.13	0.87	0.67	2.32	SHC209-27	TF209	
SHCTF209-28		1-3/4								SHC209-28	(TF209BLK)	
SHCTF210-50MM	50		143	42	20	111	23	17	63.1	SHC210-50MM		1.5
SHCTF210-31		1-15/16	5.63	1.65	0.79	4.37	0.91	0.67	11.69	SHC210-31	TF210	
SHCTF210-32		2								SHC210-32	(TF210BLK)	
SHCTF211-55MM	55		162	42	20	130	24	19	68.6	SHC211-55MM		2.2
SHCTF211-32		2	6.30	1.65	0.79	5.12	0.94	0.75	2.70	SHC211-32	TF211	
SHCTF211-35		2-3/16								SHC211-35	(TF211BLK)	
SHCTF212-60MM	60		175	48	18.5	143	26	19	75.8	SHC212-60MM		2.7
SHCTF212-39		2-7/16	6.89	1.89	0.73	5.63	1.02	0.75	2.98	SHC212-39	TF212	

Note: For Black Housing include BLK as suffix. Example: SHCTF204-12BLK.

# Thermoplastic 3-Bolt Flange Bracket



## SUCTFB 200 PTI Series

**Stainless Steel Normal Duty Bearing**  
**PBT Thermoplastic Housing**  
**Set Screw Lock, Solid Flange**  
**Metric and Inch Bores**



PBT Black Housing  
available

### Housing:

Material: Reinforced PBT (polybutylene terephthalate)  
 Working Temperatures: -10°F to 210°F  
 Interchanges with standard housing dimensions  
 Sleeves and bushings are stainless steel  
 Smooth housing designed for washdown  
 Excellent chemical resistance  
 Grease Fitting: AISI 304



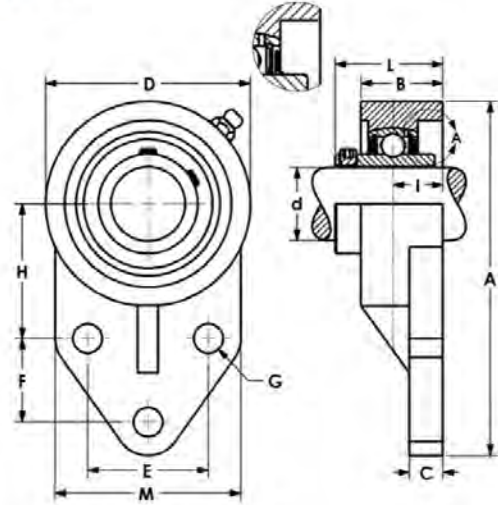
Open and Closed End Covers Optional

### Bearing Insert:

Inner & Outer Race: AISI 440C Stainless  
 Cage & Set Screw: AISI 302 Stainless  
 Balls: AISI 440C Stainless  
 Seals: Rubber & AISI 302 Stainless  
 Grease: Mobil FM222 NSF H-1 Food Grade  
 End covers and back covers are available from stock  
 Use SSB Insert with back cover



Models Available



Part No.	Shaft Size d		Dimensions (mm) (in)											Bearing No.	Housing No.	Wt. kg
	mm	in	A	B	C	D	E	F	G	H	I	L	M			
SUCTFB201-8		1/2	108.5	26.2	12	62	38.1	22.2	11	42.9	15.4	34.3	62	SUC201-8	TFB204 (TFB204BLK)	0.3
SUCTFB202-10		5/8	4.27	1.03	0.47	2.44	1.50	0.87	0.43	1.69	0.61	1.35	2.44	SUC202-10		
SUCTFB204-20MM	20		108.5	26.2	12	62	38.1	22.2	11	42.9	15.4	34.3	62	SUC204-20MM		
SUCTFB204-12		3/4	4.27	1.03	0.47	2.44	1.50	0.87	0.42	1.69	0.63	1.35	2.44	SUC204-12		
SUCTFB205-25MM	25		120.6	33.5	12	68.5	41.3	28.6	11	46	21	4.08	63.5	SUC205-25MM	TFB205 (TFB205BLK)	0.4
SUCTFB205-14		7/8	4.75	1.32	0.47	2.70	1.63	1.13	0.43	1.81	0.85	1.61	2.50	SUC205-14		
SUCTFB205-15		15/16												SUC205-15		
SUCTFB205-16		1												SUC205-16		
SUCTFB206-30MM	30		140	31.5	14	83	47.6	31.8	11	52.4	19	41.2	75	SUC206-30MM	TFB206 (TFB206BLK)	0.7
SUCTFB206-18		1-1/8	5.51	1.24	0.52	3.27	1.87	1.25	0.43	2.06	0.75	1.62	2.95	SUC206-18		
SUCTFB206-19		1-3/16												SUC206-19		
SUCTFB206-20		1-1/4												SUC206-20		
SUCTFB207-35MM	35		157	36.5	16	95	50.8	31.8	13	60.3	21.4	46.4	89	SUC207-35MM	TFB207 (TFB207BLK)	0.9
SUCTFB207-20		1-1/4	6.18	1.44	0.63	3.74	2.00	1.25	0.51	2.37	0.84	1.83	3.50	SUC207-20		
SUCTFB207-22		1-3/8												SUC207-22		
SUCTFB207-23		1-7/16												SUC207-23		
SUCTFB208-40MM	40		164	35.7	18	100	50	41.3	13	60.3	21.4	51.2	78	SUC208-40MM	TFB208 (TFB208BLK)	1.1
SUCTFB208-24		1-1/2	6.46	1.41	0.71	3.94	1.97	1.63	0.51	2.37	0.84	2.02	3.07	SUC208-24		

Note: For Black Housing include BLK as suffix. Example: SUCTFB204-12BLK.

# Thermoplastic 3-Bolt Flange Bracket



## SHCTFB 200 PTI Series

- Stainless Steel Normal Duty Bearing
- PBT Thermoplastic Housing
- Eccentric Lock, Solid Base
- Metric and Inch Bores



PBT Black Housing available



Open and Closed End Covers Optional

### Housing:

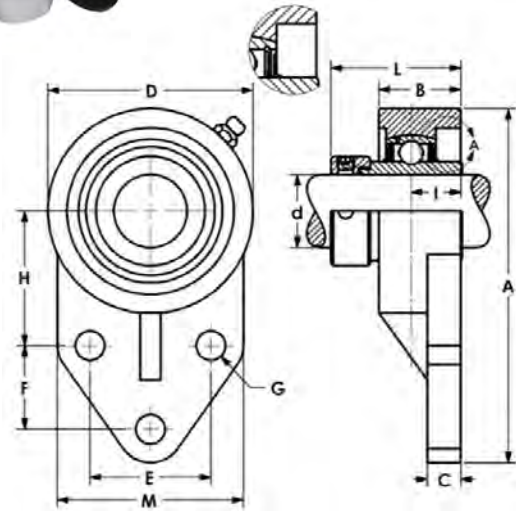
- Material: Reinforced PBT (polybutylene terephthalate)
- Working Temperatures: -10°F to 210°F
- Interchanges with standard housing dimensions
- Sleeves and bushings are stainless steel
- Solid base, smooth housing designed for washdown
- Excellent chemical resistance
- Grease Fitting: AISI 304

### Bearing Insert:

- Inner & Outer Race: AISI 440C Stainless
- Cage & Set Screw: AISI 302 Stainless
- Collar: AISI 304 Stainless
- Balls: AISI 440C Stainless
- Seals: Rubber & AISI 302 Stainless
- Grease: Mobil FM222, NSF H-1 Food Grade



Models Available



Part No.	Shaft Size		Dimensions (mm) (in)										Bearing No.	Housing No.	Wt. kg	
	mm	in	A	B	C	D	E	F	G	H	I	L				M
SHCTFB201-8		1/2	108.0	26.5	11.4	63.5	38.1	22.2	10.7	42.9	16	42.6	62.0	SHC201-8	TFB204 (TFB204BLK)	0.3
SHCTFB202-10		5/8	4.25	1.04	0.45	2.50	1.50	0.87	0.42	1.69	0.63	1.68	2.44	SHC202-10		
SHCTFB204-20MM	20		108.5	26.2	12	62	38.1	22.2	11	42.9	15.4	42.6	62.0	SHC204-20MM	TFB204 (TFB204BLK)	0.3
SHCTFB204-12		3/4	4.27	1.03	0.47	2.44	1.50	0.87	0.43	1.69	0.61	1.68	2.44	SHC204-142		
SHCTFB205-25MM	25		120.6	33.5	12	68.5	41.3	28.6	11	46	21	43.9	63.5	SHC205-25MM	TFB205 (TFB205BLK)	0.4
SHCTFB205-14		7/8	4.75	1.32	0.47	2.70	1.63	1.13	0.43	1.81	0.83	1.73	2.50	SHC205-14		
SHCTFB205-15		15/16												SHC205-15		
SHCTFB205-16		1												SHC205-16		
SHCTFB206-30MM	30		140	31.5	14	83	47.6	31.8	11	52.4	19	49.1	75.0	SHC206-30MM	TFB206 (TFB206BLK)	0.7
SHCTFB206-18		1-1/8	5.51	1.24	0.55	3.27	1.87	1.25	0.43	2.06	0.75	1.93	2.95	SHC206-18		
SHCTFB206-19		1-3/16												SHC206-19		
SHCTFB206-20		1-1/4												SHC206-20		
SHCTFB207-35MM	35		157	36.5	16	95	50.8	13.8	13	60.3	21.4	53.3	89.0	SHC207-35MM	TFB207 (TFB207BLK)	0.9
SHCTFB207-20		1-1/4	6.18	1.44	0.63	3.74	2.00	1.25	0.51	2.37	0.84	2.10	3.50	SHC207-20		
SHCTFB207-22		1-3/8												SHC207-22		
SHCTFB207-23		1-7/16												SHC207-23		
SHCTFB208-40MM	40		164	35.7	18	100	50	41.3	13	60.3	21.4	55.9	78.0	SHC208-40MM	TFB208 (TFB208BLK)	1.1
SHCTFB208-24		1-1/2	6.46	1.41	0.71	3.94	1.97	1.63	0.51	2.37	0.84	2.20	3.07	SHC208-24		

Note: For Black Housing include BLK as suffix. Example: SHCTFB204-12BLK.

# Thermoplastic 2-Bolt Flange



## SUCTFL 200 PTI Series

**Stainless Steel Normal Duty Bearing**  
**PBT Thermoplastic Housing**  
**Set Screw Lock, Solid Flange**  
**Metric and Inch Bores**



PBT Black Housing  
available

### Housing:

Material: Reinforced PBT (polybutylene terephthalate)  
 Working Temperatures: -10°F to 210°F  
 Interchanges with standard housing dimensions  
 Sleeves and bushings are stainless steel  
 Smooth housing designed for washdown  
 Excellent chemical resistance  
 Grease Fitting: AISI 304



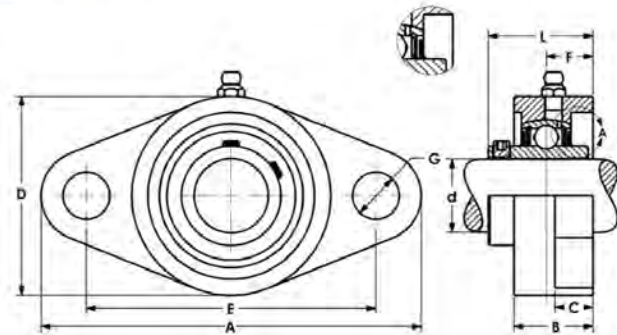
Open and Closed End Covers Optional

### Bearing Insert:

Inner & Outer Race: AISI 440C Stainless  
 Cage & Set Screw: AISI 302 Stainless  
 Balls: AISI 440C Stainless  
 Seals: Rubber & AISI 302 Stainless  
 Grease: Mobil FM222 NSF H-1 Food Grade  
 End covers and back covers are available from stock  
 Use SSB Insert with Back Cover



Models Available



Part No.	Shaft Size d		Dimensions (mm) (in)								Bearing No.	Housing No.	Wt. kg
	mm	in	A	B	C	D	E	F	G	L			
SUCTFL201-8		1/2	113	27	13.4	64	90	15	11	33.3	SUC201-8	TFL204	0.3
SUCTFL202-10		5/8	4.45	1.06	0.52	2.51	3.54	0.59	0.43	1.31	SUC202-10	(TFL204BLK)	
SUCTFL204-20MM	20		113	26.5	12	64.0	90	15.4	11	33.3	SUC204-20MM	TFL204	0.3
SUCTFL204-12		3/4	4.45	1.04	0.47	2.51	3.54	0.61	0.43	1.31	SUC204-12	(TFL204BLK)	
SUCTFL205-25MM	25		131	29.5	14	69	99	17	11	35.8	SUC205-25MM	TFL205 (TFL205BLK)	0.4
SUCTFL205-14		7/8	5.12	1.16	0.55	2.72	3.90	0.67	0.43	1.41	SUC205-14		
SUCTFL205-15		15/16									SUC205-15		
SUCTFL205-16		1									SUC205-16		
SUCTFL206-30MM	30		148	30.5	14	79	117	19	11	40.2	SUC206-30MM	TFL206 (TFL206BLK)	0.7
SUCTFL206-18		1-1/8	5.83	1.20	0.55	3.11	4.60	0.75	0.43	1.58	SUC206-18		
SUCTFL206-19		1-3/16									SUC206-19		
SUCTFL206-20		1-1/4									SUC206-20		
SUCTFL207-35MM	35		165	32.8	16	90	130	18	13	44.4	SUC207-35MM	TFL207 (TFL207BLK)	0.9
SUCTFL207-20		1-1/4	6.50	1.29	0.63	3.54	5.12	0.71	0.51	1.75	SUC207-20		
SUCTFL207-22		1-3/8									SUC207-22		
SUCTFL207-23		1-7/16									SUC207-23		
SUCTFL208-40MM	40		175	37.5	20	99	144	21.5	14	51.2	SUC208-40MM	TFL208 (TFL208BLK)	1.1
SUCTFL208-24		1-1/2	6.89	1.48	0.79	3.90	5.67	0.85	0.55	2.02	SUC208-24		
SUCTFL209-45MM	45		188.5	41	21	107	148	24	17	54.2	SUC209-45MM	TFL209 (TFL209BLK)	1.3
SUCTFL209-27		1-11/16	7.42	1.61	0.83	4.21	5.83	0.94	0.67	2.13	SUC209-27		
SUCTFL209-28		1-3/4									SUC209-28		
SUCTFL210-50MM	50		198	43	21	115	157	25	17	57.6	SUC210-50MM	TFL210 (TFL210BLK)	1.5
SUCTFL210-31		1-15/16	7.80	1.69	0.83	4.53	6.18	0.98	0.67	2.27	SUC210-31		
SUCTFL210-32		2									SUC210-32		
SUCTFL211-55MM	55		225	43	19	130	184	25	19	59.4	SUC211-55MM	TFL211 (TFL211BLK)	2.0
SUCTFL211-32		2	8.86	1.69	0.75	5.12	7.24	0.98	0.75	2.34	SUC211-32		
SUCTFL211-35		2-3/16									SUC211-35		
SUCTFL212-60MM	60		250	45	23	140	202	29	19	68.7	SUC212-60MM	TFL212 (TFL212BLK)	2.5
SUCTFL212-39		2-7/16	9.84	1.77	0.91	5.51	7.95	1.14	0.75	2.70	SUC212-39		

Note: For Black Housing include BLK as suffix. Example: SUCTFL204-12BLK.



# Thermoplastic 2-Bolt Flange



## SHCTFL 200 PTI Series

**Stainless Steel Normal Duty Bearing**  
**PBT Thermoplastic Housing**  
**Eccentric Lock Collar, Solid Base**  
**Metric and Inch Bores**



PBT Black Housing available

### Housing:

- Material: Reinforced PBT (polybutylene terephthalate)
- Working Temperatures: -10°F to 210°F
- Interchanges with standard housing dimensions
- Sleeves and bushings are stainless steel
- Solid base, smooth housing designed for washdown
- Excellent chemical resistance
- Grease Fitting: AISI 304

### Bearing Insert:

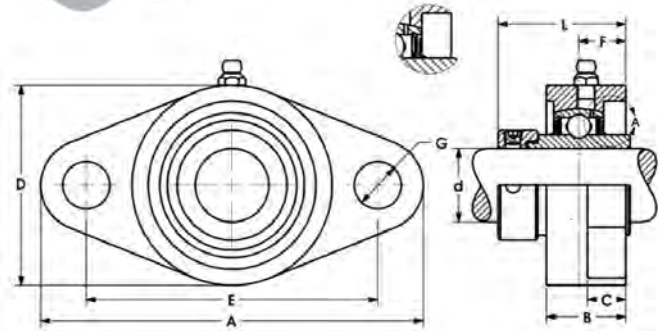
- Inner & Outer Race: AISI 440C Stainless
- Cage & Set Screw: AISI 302 Stainless
- Collar: AISI 304 Stainless
- Balls: AISI 440C Stainless
- Seals: Rubber & AISI 302 Stainless
- Grease: Mobil FM222 NSF H-1 Food Grade



Open and Closed End Covers Optional



Models Available



Part No.	Shaft Size d		Dimensions (mm) (in)								Bearing No.	Housing No.	Wt. kg
	mm	in	A	B	C	D	E	F	G	L			
SHCTFL201-8		1/2	113	27	13.4	64	90	15	11	44.9	SHC201-8	TFL204	0.3
SHCTFL202-10		5/8	4.44	1.06	0.52	2.51	3.54	0.59	0.43	1.77	SHC202-10	(TFL204BLK)	
SHCTFL204-20MM	20		113	26.5	12	64	90	15.4	11	44.9	SHC204-20MM	TFL204	0.3
SHCTFL204-12		3/4	4.45	1.04	0.47	2.51	3.54	0.61	0.43	1.77	SHC204-12	(TFL204BLK)	
SHCTFL205-25MM	25		131	29.5	14	69.5	99	17	11	46.7	SHC205-25MM	TFL205	0.4
SHCTFL205-14		7/8	5.16	1.16	0.55	2.74	3.90	0.67	0.43	1.84	SHC205-14	(TFL205BLK)	
SHCTFL205-15		15/16									SHC205-15		
SHCTFL205-16		1									SHC205-16		
SHCTFL206-30MM	30		148	30.5	14	79	117	19	11	52.3	SHC206-30MM	TFL206	0.7
SHCTFL206-18		1-1/8	5.83	1.20	0.55	3.11	4.60	0.75	1.43	2.06	SHC206-18	(TFL206BLK)	
SHCTFL206-19		1-3/16									SHC206-19		
SHCTFL206-20		1-1/4									SHC206-20		
SHCTFL207-35MM	35		165	32.8	16	90	130	18	13	57.7	SHC207-35MM	TFL207	0.9
SHCTFL207-20		1-1/4	6.50	1.29	0.62	3.54	5.12	0.71	0.50	2.27	SHC207-20	(TFL207BLK)	
SHCTFL207-22		1-3/8									SHC207-22		
SHCTFL207-23		1-7/16									SHC207-23		
SHCTFL208-40MM	40		175	37.5	20	99	144	21.5	14	65.1	SHC208-40MM	TFL208	1.1
SHCTFL208-24		1-1/2	6.88	1.48	0.79	3.90	5.67	0.85	0.55	2.56	SHC208-24	(TFL208BLK)	
SHCTFL209-45MM	45		188.5	41	21	107	148	24	17	65.1	SHC209-45MM	TFL209	1.3
SHCTFL209-27		1-11/16	7.42	1.61	0.83	4.21	5.83	0.94	0.67	2.56	SHC209-27	(TFL209BLK)	
SHCTFL209-28		1-3/4									SHC209-28		
SHCTFL210-50MM	50		198	43	21	115	157	25	17	70.7	SHC210-50MM	TFL210	1.5
SHCTFL210-31		1-15/16	7.80	1.69	0.83	4.53	6.18	0.98	0.67	2.78	SHC210-31	(TFL210BLK)	
SHCTFL210-32		2									SHC210-32		
SHCTFL211-55MM	55		225	43	19	130	184	25	19	69.6	SHC211-55MM	TFL211	2.1
SHCTFL211-32		2	8.86	2.87	0.75	5.12	7.24	0.98	0.75	2.74	SHC211-32	(TFL211BLK)	
SHCTFL211-35		2-3/16									SHC211-35		
SHCTFL212-60MM	60		250	45	23	140.5	202	29	19	75.8	SHC212-60MM	TFL212	2.6
SHCTFL212-39		2-7/16	9.84	1.77	0.91	5.53	7.59	1.14	0.75	2.98	SHC212-39	(TFL212BLK)	

Note: For Black Housing include BLK as suffix. Example: SHCTFL204-12BLK.

# Thermoplastic Take-Up Units



## SUCTT 200 PTI Series

**Stainless Steel Normal Duty Bearing**  
**PBT Thermoplastic Housing**  
**Set Screw Lock**  
**Metric and Inch Bores**  
**Narrow Slot**



PBT Black Housing available

### Housing:

Material: Reinforced PBT (polybutylene terephthalate)  
 Working Temperatures: -10°F to 210°F  
 Interchanges with standard housing dimensions  
 Sleeves and bushings are stainless steel  
 Smooth housing designed for washdown  
 Excellent chemical resistance  
 Grease Fitting: AISI 304



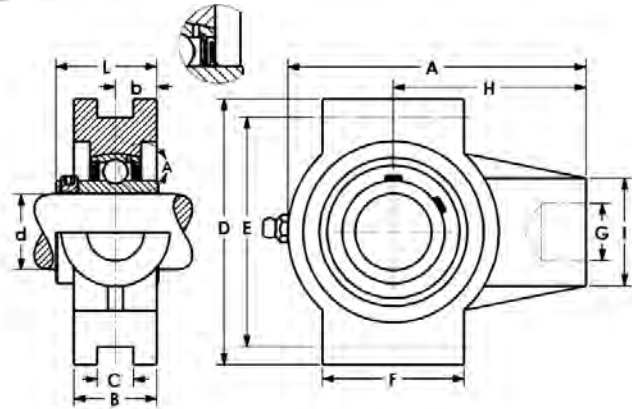
Open and Closed End Covers Optional

### Bearing Insert:

Inner & Outer Race: AISI 440C Stainless  
 Cage & Set Screw: AISI 302 Stainless  
 Balls: AISI 440C Stainless  
 Seals: Rubber & AISI 302 Stainless  
 Grease: Mobil FM222 NSF H-1 Food Grade



Models Available



Part No.	Shaft Size d		Dimensions (mm) (in)											Bearing No.	Housing No. **	Wt. kg
	mm	in	A	B	b	C**	D	E	F	G*	H	I	L			
SUCTT201-8		1/2	99	24	12.7	12	88	76	47	—	64	36	31	SUC201-8	TT204	0.30
SUCTT202-10		5/8	3.90	0.94	0.50	0.47	3.46	2.99	1.85	1/2-13	2.52	1.42	1.22	SUC202-10	(TT204BLK)	
SUCTT204-20MM	20		99	27.5	12.7	12	88	76	47	—	64	36	31	SUC204-20MM	TT204	0.40
SUCTT204-12		3/4	3.90	1.08	0.50	0.47	3.46	2.99	1.85	1/2-13	2.52	1.42	1.22	SUC204-12	(TT204BLK)	
SUCTT205-25MM	25		101.5	27.5	14.3	12	88	76	46.5	—	64	35	34.1	SUC205-25MM	TT205	0.35
SUCTT205-14		7/8	4.00	1.08	0.56	0.47	3.46	2.99	1.83	1/2-13	2.52	1.38	1.34	SUC205-14	TT205 (TT205BLK)	
SUCTT205-15		15/16												SUC205-15		
SUCTT205-16		1												SUC205-16		
SUCTT206-30MM	30		125	34.5	15.9	12	102	89	63	—	76	40	38.1	SUC206-30MM	TT206	0.65
SUCTT206-18		1-1/8	4.92	1.36	0.63	0.47	4.02	3.50	2.48	5/8-11	2.99	1.57	1.50	SUC206-18	TT206 (TT206BLK)	
SUCTT206-19		1-3/16												SUC206-19		
SUCTT206-20		1-1/4												SUC206-20		
SUCTT207-35MM	35		125	34.5	17.5	12	102	89	63	—	76	40	42.9	SUC207-35MM	TT207	0.50
SUCTT207-20		1-1/4	4.92	1.36	0.69	0.47	4.02	3.50	2.48	5/8-11	2.99	1.57	1.69	SUC207-20	TT207 (TT207BLK)	
SUCTT207-22		1-3/8												SUC207-22		
SUCTT207-23		1-7/16												SUC207-23		
SUCTT208-40MM	40		140	34.5	17.5	16	114	102	80	—	85	40	47.5	SUC208-40MM	TT208	0.65
SUCTT208-24		1-1/2	5.51	1.36	0.69	0.63	4.49	4.02	3.15	5/8-11	3.35	1.57	1.87	SUC208-24	(TT208BLK)	

Note: Threaded Insert (G dimension) stocked only in inch threads. \*\* Wide Slot optional. Larger sizes on request. For Black Housing include BLK as suffix. Example: SUCTT204-12BLK.

# Thermoplastic Take-Up Units



## SHCTT 200 PTI Series

- Stainless Steel Normal Duty Bearing
- PBT Thermoplastic Housing
- Eccentric Lock Collar
- Metric and Inch Bores
- Narrow Slot



PBT Black Housing available

### Housing:

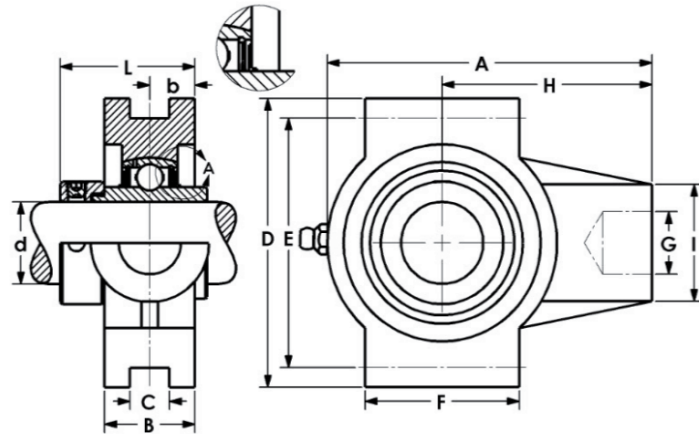
- Material: Reinforced PBT (polybutylene terephthalate)
- Working Temperatures: -10°F to 210°F
- Interchanges with standard housing dimensions
- Sleeves and bushings are stainless steel
- Solid base, smooth housing designed for washdown
- Excellent chemical resistance
- Grease Fitting: AISI 304



Open and Closed End Covers Optional

### Bearing Insert:

- Inner & Outer Race: AISI 440C Stainless
- Cage: AISI 302 Stainless
- Collar: AISI 304 Stainless
- Balls: AISI 440C Stainless
- Seals: Rubber & AISI 302 Stainless
- Set Screw: AISI 302 Stainless
- Grease: Mobil FM222 NSF H-1 Food Grade



Models Available



Part No.	Shaft Size d		Dimensions (mm) (in)											Bearing No.	Housing No. **	Wt. kg
	mm	in	A	B	b	C**	D	E	F	G*	H	I	L			
SHCTT201-8		1/2	3.90	24	12	0.47	3.46	2.99	1.85	—	2.52	1.42	39.3	SHC201-8	TT204	0.30
SHCTT202-10		5/8	3.90	0.94	0.47	0.47	3.46	2.99	1.85	1/2-13	2.52	1.42	1.55	SHC202-10	(TT204BLK)	
SHCTT204-20MM	20		99	27.5	12.7	12	88	76	47	—	64	36	39.3	SHC204-20MM	TT204	0.40
SHCTT204-12		3/4	3.90	1.08	0.50	0.47	3.46	2.99	1.85	1/2-13	2.52	1.42	1.55	SHC204-12	(TT204BLK)	
SHCTT205-25MM	25		101.5	27.5	14.3	12	88	76	46.5	—	64	35	41.2	SHC205-25MM	TT205	0.35
SHCTT205-15		15/16	4.00	1.08	0.56	0.47	3.46	2.99	1.83	1/2-13	2.52	1.38	1.62	SHC205-15	TT205	
SHCTT205-16		1												SHC205-16	(TT205BLK)	
SHCTT206-30MM	30		125	34.5	15.9	12	102	89	63	—	76	40	46.0	SHC206-30MM	TT206	0.65
SHCTT206-19		1-3/16	4.92	1.10	0.63	0.47	4.02	3.50	2.48	5/8-11	2.99	1.57	1.81	SHC206-19	TT206	
SHCTT206-20		1-1/4												SHC206-20	(TT206BLK)	
SHCTT207-35MM	35		125	34.5	17.5	12	102	89	63	—	76	40	49.8	SHC207-35MM	TT207	0.50
SHCTT207-20		1-1/4	4.92	1.10	0.69	0.47	4.02	3.50	2.48	5/8-11	2.99	1.57	1.96	SHC207-20	TT207	
SHCTT207-22		1-3/8												SHC207-22	(TT207BLK)	
SHCTT207-23		1-7/16												SHC207-23		
SHCTT208-40MM	40		140	34.5	17.5	16	114	102	80	—	85	40	52.2	SHC208-40MM	TT208	.65
SHCTT208-24		1-1/2	5.51	1.36	0.69	0.63	4.49	4.02	3.15	5/8-11	3.35	1.57	2.06	SHC208-24	(TT208BLK)	

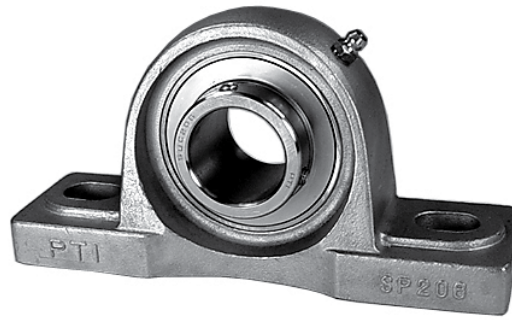
Note: Threaded Insert (G dimension) stocked only in inch threads. Metric threads available on request. \*\* Wide Slot optional. For Black Housing include BLK as suffix. Example: SHCTT204-12BLK.

# Stainless Steel Pillow Block



## SUCSP 200 PTI Series

**Stainless Steel Normal Duty Bearing**  
**Set Screw Lock, Solid Base**  
**Metric and Inch Bores**



### Housing:

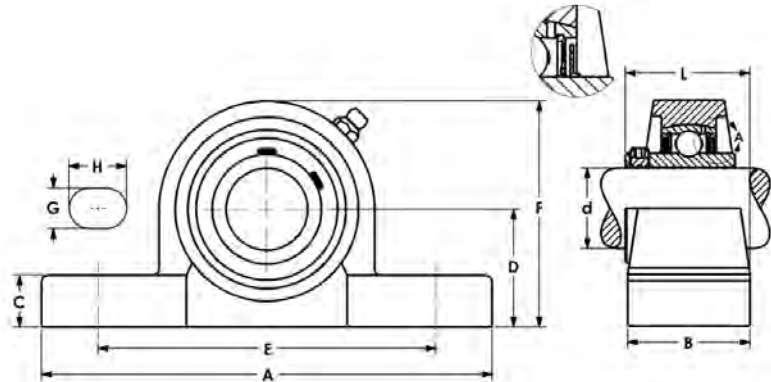
AISI 304 Stainless, Solid Base  
 Grease Fitting: AISI 304

### Bearing Insert:

Inner & Outer Race: AISI 440C Stainless  
 Cage & Set Screw: AISI 302 Stainless  
 Balls: AISI 440C Stainless  
 Seals: Rubber & AISI 302 Stainless  
 Grease: Mobil FM222, NSF H-1 Food Grade



Models Available



Part No.	Shaft Size d		Dimensions (mm) (in)									Bearing No.	Housing No.	Wt. kg
	mm	in	A	B	C	D	E	F	G	H	L			
SUCSP201-8		1/2	126	37	15	33.3	95	64	11	17.5	37.3	SUC201-8	SP204	0.8
SUCSP202-10		5/8	4.96	1.50	0.59	1.31	3.74	2.52	0.43	0.69	1.47	SUC202-10		
SUCSP204-20MM	20		125.5	37	15	33.3	95	64	13	19	37.3	SUC204-20MM	SP204	0.8
SUCSP204-12		3/4	4.94	1.46	0.59	1.31	3.74	2.52	0.51	0.75	1.47	SUC204-12		
SUCSP205-25MM	25		138.5	37.5	16	36.5	105	70.5	13	19	38.8	SUC205-25MM	SP205	1.0
SUCSP205-14		7/8	5.45	1.48	0.63	1.44	4.13	2.78	0.51	0.75	1.53	SUC205-14		
SUCSP205-15		15/16										SUC205-15		
SUCSP205-16		1										SUC205-16		
SUCSP206-30MM	30		164	47	17	42.9	121	83	17	21	46.2	SUC206-30MM	SP206	1.6
SUCSP206-18		1-1/8	6.46	1.85	0.67	1.69	4.76	3.27	0.67	0.83	1.82	SUC206-18		
SUCSP206-19		1-3/16										SUC206-19		
SUCSP206-20		1-1/4										SUC206-20		
SUCSP207-35MM	35		167	47.5	17.5	47.6	127	93	17	21	49.4	SUC207-35MM	SP207	2.0
SUCSP207-20		1-1/4	6.57	1.87	0.69	1.87	5.00	3.66	0.67	0.83	1.94	SUC207-20		
SUCSP207-22		1-3/8										SUC207-22		
SUCSP207-23		1-7/16										SUC207-23		
SUCSP208-40MM	40		183	53.5	18	49.2	137	99.5	17	21	57.2	SUC208-40MM	SP208	2.5
SUCSP208-24		1-1/2	7.20	2.11	0.71	1.94	5.39	3.92	0.67	0.83	2.25	SUC208-24		
SUCSP209-45MM	45		188	53.5	20	54	146	105.5	17	21	57.2	SUC209-45MM	SP209	2.8
SUCSP209-27		1-11/16	7.40	2.11	0.79	2.13	5.75	4.15	0.67	0.83	2.25	SUC209-27		
SUCSP209-28		1-3/4										SUC209-28		
SUCSP210-50MM	50		204	59.5	22	57.2	159	112.5	20	25	62.5	SUC210-50MM	SP210	3.5
SUCSP210-31		1-15/16	8.03	2.34	0.87	2.25	6.26	4.43	0.79	0.98	2.46	SUC210-31		
SUCSP210-32		2										SUC210-32		
SUCSP211-55MM	55		217.5	59	23	63.5	171	125	20	25	69.7	SUC211-55MM	SP211	4.0
SUCSP211-32		2	8.56	2.32	0.91	2.50	6.73	4.92	0.79	0.98	2.74	SUC211-32		
SUCSP211-35		2-3/16										SUC211-35		
SUCSP212-60MM	60		239	69	25	69.8	184	136	20	25	79.5	SUC212-60MM	SP212	5.8
SUCSP212-39		2-7/16	9.41	2.72	0.98	2.75	7.24	5.35	0.79	0.98	3.13	SUC212-39		

Note: Larger sizes available with Nickel Plated Housing. Inserts thru 3 inches from stock.

# Stainless Steel Pillow Block



## SHCSP 200 PTI Series

**Stainless Steel Normal Duty Bearing**  
**Eccentric Lock, Solid Base**  
**Metric and Inch Bores**

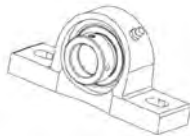


**Housing:**

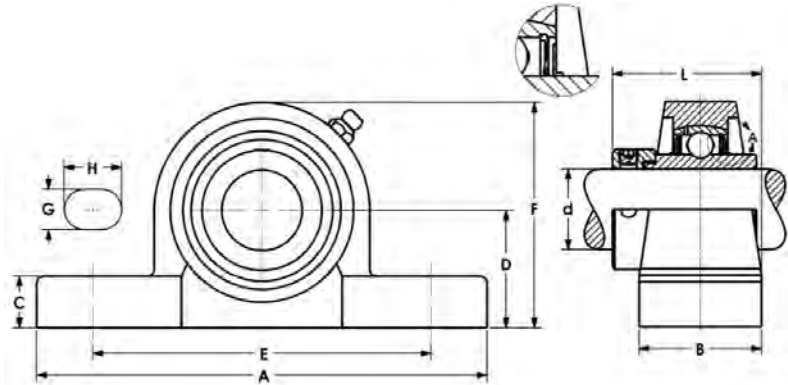
AISI 304 Stainless, Solid Base  
 Grease Fitting: AISI 304

**Bearing Insert:**

Inner & Outer Race: AISI 440C Stainless  
 Cage & Set Screw: AISI 302 Stainless  
 Balls: AISI 440C Stainless  
 Seals: Rubber & AISI 302 Stainless  
 Grease: Mobil FM222, NSF H-1 Food Grade  
 Collar: 304 Stainless



Models Available



Part No.	Shaft Size d		Dimensions (mm) (in)									Bearing No.	Housing No.	Wt. kg
	mm	in	A	B	C	D	E	F	G	H	L			
SHCSP201-8		1/2	126	38	15.1	33.3	95	65.1	11	17.5	45.6	SHC201-8	SP204	0.8
SHCSP202-10		5/8	4.98	1.50	0.59	1.312	3.74	2.56	0.43	0.69	1.80	SHC202-10		
SHCSP204-20MM	20		125.5	37	15	33.3	95	64	13	19	45.6	SHC204-20MM	SP204	0.8
SHCSP204-12		3/4	4.94	1.46	0.59	1.31	3.74	2.52	0.51	0.75	1.80	SHC204-12		
SHCSP205-25MM	25		138.5	37.5	16	36.5	105	70.5	13	19	45.9	SHC205-25MM	SP205	1.0
SHCSP205-14		7/8	5.45	1.48	0.63	1.44	4.13	2.78	0.51	0.75	1.81	SHC205-14		
SHCSP205-15		15/16										SHC205-15		
SHCSP205-16		1										SHC205-16		
SHCSP206-30MM	30		164	47	17	42.9	121	83	17	21	54.1	SHC206-30MM	SP206	1.6
SHCSP206-18		1-1/8	6.46	1.85	0.67	1.69	4.76	3.27	0.67	0.83	2.13	SHC206-18		
SHCSP206-19		1-3/16										SHC206-19		
SHCSP206-20		1-1/4										SHC206-20		
SHCSP207-35MM	35		167	47.5	17.5	47.6	127	93	17	21	56.3	SHC207-35MM	SP207	2.0
SHCSP207-20		1-1/4	6.57	1.87	0.69	1.87	5.00	3.66	0.67	0.83	2.22	SHC207-20		
SHCSP207-22		1-3/8										SHC207-22		
SHCSP207-23		1-7/16										SHC207-23		
SHCSP208-40MM	40		183	53.5	18	49.2	137	99.5	17	21	61.9	SHC208-40MM	SP208	2.5
SHCSP208-24		1-1/2	7.20	2.11	0.71	1.94	5.39	3.92	0.76	0.83	2.44	SHC208-24		
SHCSP209-45MM	45		188	53.5	20	54	146	105.5	17	21	61.9	SHC209-45MM	SP209	2.8
SHCSP209-27		1-11/16	7.40	2.11	0.79	2.13	5.75	4.15	0.67	0.83	2.44	SHC209-27		
SHCSP209-28		1-3/4										SHC209-28		
SHCSP210-50MM	50		204	59.5	22	57.2	159	112.5	20	25	68.1	SHC210-50MM	SP210	3.5
SHCSP210-31		1-15/16	8.03	2.34	0.87	2.25	6.26	4.43	0.79	0.98	2.68	SHC210-31		
SHCSP210-32		2										SHC210-32		
SHCSP211-55MM	55		217.5	59	23	63.5	171	125	20	25	73.6	SHC211-55MM	SP211	4.0
SHCSP211-32		1-7/8	8.56	2.32	0.91	2.50	6.73	4.92	0.79	0.98	2.90	SHC211-32		
SHCSP211-35		2-3/16										SHC211-35		
SHCSP212-60MM	60		239	69	25	69.8	184	136	20	25	81.8	SHC212-60MM	SP212	5.8
SHCSP212-39		2-7/16	9.41	2.72	0.98	2.75	7.24	5.35	0.79	0.98	3.22	SHC212-39		

# Stainless Steel Tapped Base



## SUCSPA 200 PTI Series

**Stainless Steel Normal Duty Bearing  
Set Screw Lock, Solid Base  
Metric and Inch Bores**



### Housing:

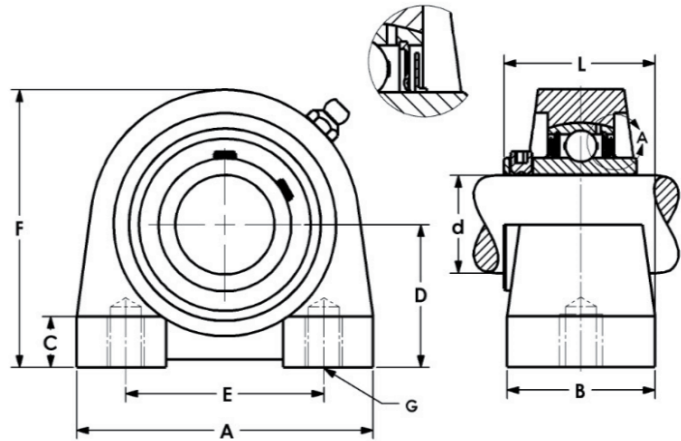
AISI 304 Stainless, Solid Base  
Grease Fitting: AISI 304

### Bearing Insert:

Inner & Outer Race: AISI 440C Stainless  
Cage & Set Screw: AISI 302 Stainless  
Balls: AISI 440C Stainless  
Seals: Rubber & AISI 302 Stainless  
Grease: Mobil FM222, NSF H-1 Food Grade



Models Available



Part No.	Shaft Size d		Dimensions (mm) (in)								Bearing No.	Housing No.	Wt. kg
	mm	in	A	B	C	D	E	F	G	L			
SUCSPA201-8		1/2	73	38	13	33.3	50.8	65	—	37.3	SUC201-8	SPA204	0.8
SUCSPA202-10		5/8	2.87	1.50	0.50	1.31	2.00	2.56	3/8-16	1.47	SUC202-10		
SUCSPA204-20MM	20		73	38	12.7	33.3	50.8	65	—	37.3	SUC204-20MM	SPA204	0.8
SUCSPA204-12		3/4	2.87	1.50	0.50	1.31	2.00	2.56	3/8-16	1.47	SUC204-12		
SUCSPA205-25MM	25		76	38	12.7	36.5	50.8	71.5	—	38.8	SUC205-25MM	SPA205	1.0
SUCSPA205-14		7/8	2.99	1.50	0.50	1.44	2.00	2.81	3/8-16	1.53	SUC205-14		
SUCSPA205-15		15/16									SUC205-15		
SUCSPA205-16		1									SUC205-16		
SUCSPA206-30MM	30		102	38	16	42.9	76.2	86	—	41.2	SUC206-30MM	SPA206	1.6
SUCSPA206-18		1-1/8	4.02	1.50	0.63	1.69	3.00	3.39	7/16-14	1.62	SUC206-18		
SUCSPA206-19		1-3/16									SUC206-19		
SUCSPA206-20		1-1/4									SUC206-20		
SUCSPA207-35MM	35		108	47.5	19	47.6	82.6	95	—	49.4	SUC207-35MM	SPA207	2.0
SUCSPA207-20		1-1/4	4.25	1.87	0.75	1.86	3.25	3.74	1/2-13	1.94	SUC207-20		
SUCSPA207-22		1-3/8									SUC207-22		
SUCSPA207-23		1-7/16									SUC207-23		
SUCSPA208-40MM	40		117	48	19	49.2	88.9	100	—	54.2	SUC208-40MM	SPA208	2.5
SUCSPA208-24		1-1/2	4.61	1.89	0.75	1.94	3.50	3.94	1/2-13	2.13	SUC208-24		
SUCSPA209-45MM	45		125.5	50.5	19	54	95.3	107.5	—	55.7	SUC209-45MM	SPA209	2.8
SUCSPA209-27		1-11/16	4.94	1.99	0.75	2.13	3.75	4.23	1/2-13	2.19	SUC209-27		
SUCSPA209-28		1-3/4									SUC209-28		
SUCSPA210-50MM	50		139	50.5	19	57.2	101.6	116.5	—	58.1	SUC210-50MM	SPA210	3.5
SUCSPA210-31		1-15/16	5.47	1.99	0.75	2.25	4.00	4.59	5/8-11	2.29	SUC210-31		
SUCSPA210-32		2									SUC210-32		

# Stainless Steel Tapped Base



## SHCSPA 200 PTI Series

**Stainless Steel Normal Duty Bearing  
Eccentric Lock, Solid Base  
Metric and Inch Bores**



**Housing:**

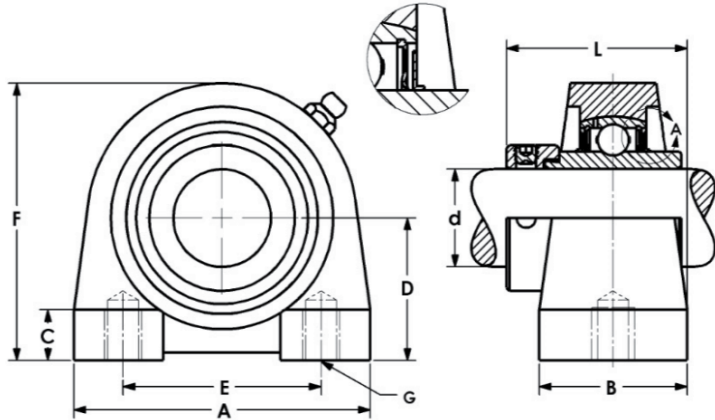
AISI 304 Stainless, Solid Base  
Grease Fitting: AISI 304

**Bearing Insert:**

Inner & Outer Race: AISI 440C Stainless  
Cage & Set Screw: AISI 302 Stainless  
Balls: AISI 440C Stainless  
Seals: Rubber & AISI 302 Stainless  
Grease: Mobil FM222, NSF H-1 Food Grade  
Collar: AISI 304 Stainless



Models Available



Part No.	Shaft Size d		Dimensions (mm) (in)								Bearing No.	Housing No.	Wt. kg
	mm	in	A	B	C	D	E	F	G	L			
SHCSPA201-8		1/2	73	38	13	33.3	50.8	65	—	45.6	SHC201-8	SPA204	0.8
SHCSPA202-10		5/8	2.87	1.50	0.5	1.31	2.00	2.56	3/8-16	1.80	SHC202-10		
SHCSPA204-20MM	20		73	38	12.7	33.3	50.8	65	—	45.6	SHC204-20MM	SPA204	0.8
SHCSPA204-12		3/4	2.87	1.50	0.50	1.31	2.00	2.56	3/8-16	1.80	SHC204-12		
SHCSPA205-25MM	25		76	38	12.7	36.5	50.8	71.5	—	45.9	SHC205-25MM	SPA205	1.0
SHCSPA205-14		7/8	2.99	1.50	0.50	1.44	2.00	2.81	3/8-16	1.81	SHC205-14		
SHCSPA205-15		15/16									SHC205-15		
SHCSPA205-16		1									SHC205-16		
SHCSPA206-30MM	30		102	38	16	42.9	76.2	86	—	49.1	SHC206-30MM	SPA206	1.6
SHCSPA206-18		1-1/8	4.02	1.50	0.63	1.69	3.00	3.39	7/16-14	1.93	SHC206-18		
SHCSPA206-19		1-3/16									SHC206-19		
SHCSPA206-20		1-1/4									SHC206-20		
SHCSPA207-35MM	35		108	47.5	19	47.6	82.6	95	—	56.3	SHC207-35MM	SPA207	2.0
SHCSPA207-20		1-1/4	4.25	1.87	0.75	1.87	3.25	3.74	1/2-13	2.22	SHC207-20		
SHCSPA207-22		1-3/8									SHC207-22		
SHCSPA207-23		1-7/16									SHC207-23		
SHCSPA208-40MM	40		117	48	19	49.2	88.9	100	—	58.9	SHC208-40MM	SPA208	2.5
SHCSPA208-24		1-1/2	4.61	1.89	0.75	1.94	3.50	3.94	1/2-13	2.32	SHC208-24		
SHCSPA209-45MM	45		125.5	50.5	19	54	95.3	107.5	—	60.4	SHC209-45MM	SPA209	2.8
SHCSPA209-27		1-11/16	4.94	1.99	0.75	2.13	3.75	4.23	1/2-13	2.38	SHCSPA-27		
SHCSPA209-28		1-3/4									SHC209-28		
SHCSPA210-50MM	50		139	50.5	19	57.2	101.6	116.5	—	63.6	SHC210-50MM	SPA210	3.5
SHCSPA210-31		1-15/16	5.47	1.99	0.75	2.25	4.00	4.59	5/8-11	2.50	SHC210-31		
SHCSPA210-32		2									SHC210-32		

# Stainless Steel 4-Bolt Flange



## SUCSF 200 PTI Series

**Stainless Steel Normal Duty Bearing  
Set Screw Lock, Solid Flange  
Metric and Inch Bores**



### Housing:

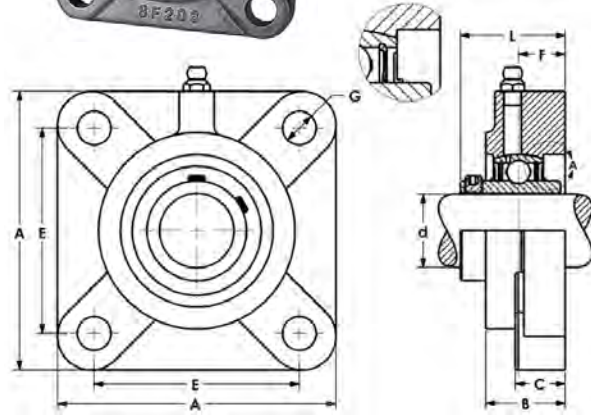
AISI 304 Stainless, Solid Base  
Grease Fitting: AISI 304

### Bearing Insert:

Inner & Outer Race: AISI 440C Stainless  
Cage & Set Screw: AISI 302 Stainless  
Balls: AISI 440C Stainless  
Seals: Rubber & AISI 302 Stainless  
Grease: Mobil FM222, NSF H-1 Food Grade



Models Available



Part No.	Shaft Size d		Dimensions (mm) (in)							Bearing No.	Housing No.	Wt. kg
	mm	in	A	B	C	E	F	G	L			
SUCSF201-8		1/2	86	25.4	12	63.5	15.1	11	33.4	SUC201-8	SF204	0.8
SUCSF202-10		5/8	3.39	1.00	0.47	2.50	0.59	0.43	1.31	SUC202-10	SF204	
SUCSF204-20MM	20		86	25.5	12	64	15	12	33.4	SUC204-20MM	SF204	0.8
SUCSF204-12		3/4	3.39	1.00	0.47	2.52	0.59	0.47	1.31	SUC204-12	SF204	
SUCSF205-25MM	25		95	27	14	70	16	12	35.7	SUC205-25MM	SF205	1.0
SUCSF205-14		7/8	3.74	1.06	0.55	2.76	0.63	0.47	1.41	SUC205-14		
SUCSF205-15		15/16								SUC205-15		
SUCSF205-16		1								SUC205-16		
SUCSF206-30MM	30		108	31	14	83	18	13	40.1	SUC206-30MM	SF206	1.6
SUCSF206-18		1-1/8	4.25	1.22	0.55	3.27	0.71	0.51	1.58	SUC206-18		
SUCSF206-19		1-3/16								SUC206-19		
SUCSF206-20		1-1/4								SUC206-20		
SUCSF207-35MM	35		116	34	15.5	92	19	14	44.5	SUC207-35MM	SF207	2.0
SUCSF207-20		1-1/4	4.57	1.34	0.61	3.62	0.75	0.55	1.75	SUC207-20		
SUCSF207-22		1-3/8								SUC207-22		
SUCSF207-23		1-7/16								SUC207-23		
SUCSF208-40MM	40		129	36	15.5	102	21	14	51.2	SUC208-40MM	SF208	2.5
SUCSF208-24		1-1/2	5.08	1.42	0.61	4.02	0.83	0.55	2.02	SUC208-24		
SUCSF209-45MM	45		137	38	17.5	105	22	16	52	SUC209-45MM	SF209	2.8
SUCSF209-27		1-11/16	5.39	1.50	0.69	4.13	0.87	0.63	2.05	SUC209-27		
SUCSF209-28		1-3/4								SUC209-28		
SUCSF210-50MM	50		143	40	17.5	111	22	16	54.3	SUC210-50MM	SF210	3.5
SUCSF210-31		1-15/16	5.63	1.57	0.69	4.37	0.87	0.63	2.14	SUC210-31		
SUCSF210-32		2								SUC210-32		
SUCSF211-55MM	55		162	43	19.5	130	25	19	58.4	SUC211-55MM	SF211	4.5
SUCSF211-35		2-3/16	6.38	1.69	0.77	5.12	0.98	0.75	2.30	SUC211-35		
SUCSF212-60MM	60		175	48	19.5	143	29	19.0	68.7	SUC212-60MM	SF212	5.4
SUCSF212-39		2-7/16	6.89	1.89	0.77	5.63	1.14	0.75	2.70	SUC212-39		

Note: Larger sizes with Nickel Plated Housings available upon request. Larger Bearing inserts to 3 inches are stock.



# Stainless Steel 4-Bolt Flange



## SHCSF 200 PTI Series

**Stainless Steel Normal Duty Bearing  
Eccentric Lock Collar, Solid Flange  
Metric and Inch Bores**

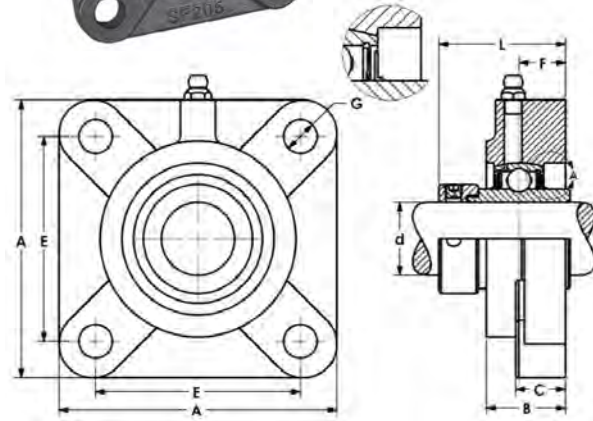


**Housing:**

AISI 304 Stainless, Solid Base  
Grease Fitting: AISI 304

**Bearing Insert:**

Inner & Outer Race: AISI 440C Stainless  
Cage & Set Screw: AISI 302 Stainless  
Collar: AISI 304 Stainless  
Balls: AISI 440C Stainless  
Seals: Rubber & AISI 302 Stainless  
Grease: Mobil FM222, NSF H-1 Food Grade



Models Available

Part No.	Shaft Size d		Dimensions (mm) (in)							Bearing No.	Housing No.	Wt. kg
	mm	in	A	B	C	E	F	G	L			
SHCSF201-8		1/2	86	25.4	12	63.5	15.1	11	41.7	SHC201-8	SF204	0.8
SHCSF202-10		5/8	3.39	1.00	0.47	2.50	0.59	0.43	1.64	SHC202-10		
SHCSF204-20MM	20		86	25.5	12	64	15	12	41.7	SHC204-20MM	SF204	0.8
SHCSF204-12		3/4	3.39	1.00	0.47	2.52	0.59	.47	1.64	SHC204-12		
SHCSF205-25MM	25		95	27	14	70	16	12	42.8	SHC205-25MM	SF205	1.0
SHCSF205-14		7/8	3.75	1.06	0.55	2.76	0.63	0.47	1.69	SHC205-14		
SHCSF205-15		15/16								SHC205-15		
SHCSF205-16		1								SHC205-16		
SHCSF206-30MM	30		108	31	14	83	18	13	48.0	SHC206-30MM	SF206	1.6
SHCSF206-18		1-1/8	4.25	1.22	0.55	3.27	0.71	0.51	1.89	SHC206-18		
SHCSF206-19		1-3/16								SHC206-19		
SHCSF206-20		1-1/4								SHC206-20		
SHCSF207-35MM	35		116	34	15.5	92	19	14	51.4	SHC207-35MM	SF207	2.0
SHCSF207-20		1-1/4	4.57	1.34	0.61	3.62	0.75	0.55	2.02	SHC207-20		
SHCSF207-22		1-3/8								SHC207-22		
SHCSF207-23		1-7/16								SHC207-23		
SHCSF208-40MM	40		129	36	15.5	102	21	14	55.9	SHC208-40MM	SF208	2.5
SHCSF208-24		1-1/2	5.08	1.42	0.61	4.02	0.83	0.55	2.20	SHC208-24		
SHCSF209-45MM	45		137	38	17.5	105	22	16	56.7	SHC209-45MM	SF209	2.8
SHCSF209-27		1-11/16	5.39	1.50	0.69	4.13	0.87	0.63	2.23	SHC209-27		
SHCSF209-28		1-3/4								SHC209-28		
SHCSF210-50MM	50		143	40	17.5	111	22	16	59.9	SHC210-50MM	SF210	3.5
SHCSF210-31		1-15/16	5.63	1.57	0.69	4.37	0.87	0.63	2.36	SHC210-31		
SHCSF210-32		2								SHC210-32		
SHCSF211-55MM	55		162	43	19.5	130	25	19	68.6	SHC211-55MM	SF211	4.5
SHCSF211-35		2-3/16	6.38	1.69	0.77	5.12	0.98	0.75	2.70	SHC211-35		
SHCSF212-60MM	60		175	48	19.5	143	29	19	75.8	SHC212-60MM	SF212	5.4
SHCSF212-39		2-7/16	6.89	1.89	0.77	5.63	1.14	0.75	2.98	SHC212-39		

# Stainless Steel Piloted 4-Bolt Flange



## SUCSFCS 200 PTI Series

**Stainless Steel Normal Duty Bearing  
Set Screw Lock, Solid Flange  
Metric and Inch Bores**

### Housing:

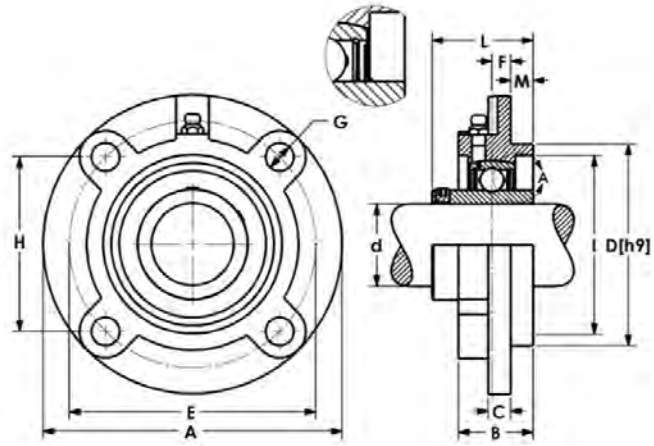
AISI 304 Stainless, Solid Flange  
Grease Fitting: AISI 304

### Bearing Insert:

Inner & Outer Race: AISI 440C Stainless  
Cage: AISI 302 Stainless  
Balls: AISI 440C Stainless  
Seals: Rubber & AISI 302 Stainless  
Set Screw: AISI 302 Stainless  
Grease: Mobil FM222, NSF H-1 Food Grade



Models Available



Part No.	Shaft Size d		Dimensions (mm) (in)											Bearing No.	Housing No.	Wt. kg
	mm	in	A	B	C	D (h9)	E	F	G	H	I	L	M			
SUCSFCS207-35MM	35		127	31.7	9.5	85.7	104.8	8	12	74.2	76	33.4	9.5	SUC207-35MM	SFCS207	2.0
SUCSFCS207-20		1-1/4	5.00	1.25	0.37	3.375	4.13	0.31	0.47	2.92	2.99	1.31	0.37	SUC207-20		
SUCSFCS207-22		1-3/8												SUC207-22		
SUCSFCS207-23		1-7/16												SUC207-23		
SUCSFCS208-40MM	40		133	37.3	11	92	111.1	9	12	78.5	84	39.2	11.1	SUC208-40MM	SFCS208	2.5
SUCSFCS208-24		1-1/2	5.24	1.47	0.43	3.625	4.37	0.35	0.47	3.09	3.31	1.54	0.44	SUC208-24		
SUCSFCS209-45MM	45		145	33.3	11.5	101.6	120.7	9	14	84.7	89	39.2	11.1	SUC209-45MM	SFCS209	2.8
SUCSFCS209-28		1-3/4	5.71	1.31	0.45	4.000	4.75	0.35	0.55	3.33	3.50	1.54	0.44	SUC209-28		
SUCSFCS210-50MM	50		155.6	37.3	11	108	130.2	8	14	92	97.6	40.6	11.9	SUC210-50MM	SFCS210	3.5
SUCSFCS210-31		1-15/16	6.13	1.47	0.43	4.250	5.12	0.31	0.55	3.62	3.84	1.60	0.47	SUC210-31		
SUCSFCS210-32		2												SUC210-32		
SUCSFCS211-55MM	55		185	43	15	125	150	13	19	106.1	105	58.3	12	SUC211-55MM	SFCS211	4.2
SUCSFCS211-32		2	7.28	1.69	0.59	4.92	5.91	0.51	0.75	4.18	4.13	2.30	0.47	SUC211-32		
SUCSFCS211-35		2-3/16												SUC211-35		
— SUCSFCS216-47	— 2-15/16		222	57	16	162	190.5	12	19	134.3	148	61.3	22	— SUCX216-47	SFCS216	5.4

# Stainless Steel Piloted 4-Bolt Flange



## SHCSFCS 200 PTI Series

Stainless Steel Normal Duty Bearing  
Eccentric Lock Collar, Solid Flange  
Metric and Inch Bores

### Housing:

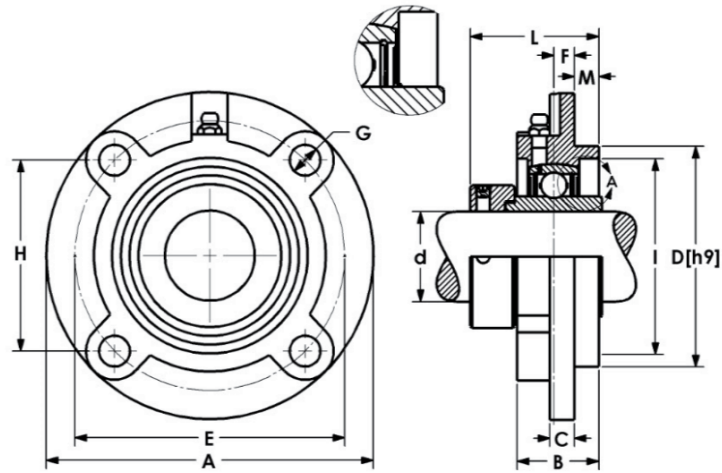
AISI 304 Stainless, Solid Flange  
Grease Fitting: AISI 304

### Bearing Insert:

Inner & Outer Race: AISI 440C Stainless  
Cage: AISI 302 Stainless  
Collar: AISI 304 Stainless  
Balls: AISI 440C Stainless  
Seals: Rubber & AISI 302 Stainless  
Set Screw: AISI 302 Stainless  
Grease: Mobil FM222, NSF H-1 Food Grade



Models Available



Part No.	Shaft Size d		Dimensions (mm) (in)										Bearing No.	Housing No.	Wt. kg	
	mm	in	A	B	C	D (h <sub>9</sub> )	E	F	G	H	I	L				M
SHCSFCS207-35MM	35		127	31.7	9.5	85.7	105	8	12	74.2	76	49.8	9.5	SHC207-35MM	SFCS207	2.0
SHCSFCS207-20		1-1/4	5.00	1.25	0.37	3.375	4.13	0.31	0.47	2.92	2.99	1.96	0.37	SHC207-20		
SHCSFCS207-22		1-3/8												SHC207-22		
SHCSFCS207-23		1-7/16												SHC207-23		
SHCSFCS208-40MM	40		133	37.3	11	92	111	9	12	78.5	84	55	11.1	SHC208-40MM	SFCS208	2.5
SHCSFCS208-24		1-1/2	5.24	1.47	0.43	3.625	4.37	0.35	0.47	3.09	3.31	2.17	0.44	SHC208-24		
SHCSFCS209-45MM	45		145	33.3	11.5	101.6	120.7	9	14	84.7	89	55	11.1	SHC209-45MM	SFCS209	2.8
SHCSFCS209-28		1-3/4	5.71	1.31	0.45	4.000	4.75	0.35	0.55	3.33	3.50	2.17	0.44	SHC209-28		
SHCSFCS210-50MM	50		155.6	37.3	11	108	130	8	14	92	97.6	58	11.9	SHC210-50MM	SFCS210	3.5
SHCSFCS210-31		1-15/16	6.13	1.47	0.43	4.250	5.12	0.31	0.55	3.62	3.84	2.28	0.47	SHC210-31		
SHCSFCS210-32		2												SHC210-32		

# Stainless Steel 2-Bolt Flange



## SUCSFL 200 PTI Series

**Stainless Steel Normal Duty Bearing  
Set Screw Lock, Solid Base  
Metric and Inch Bores**



### Housing:

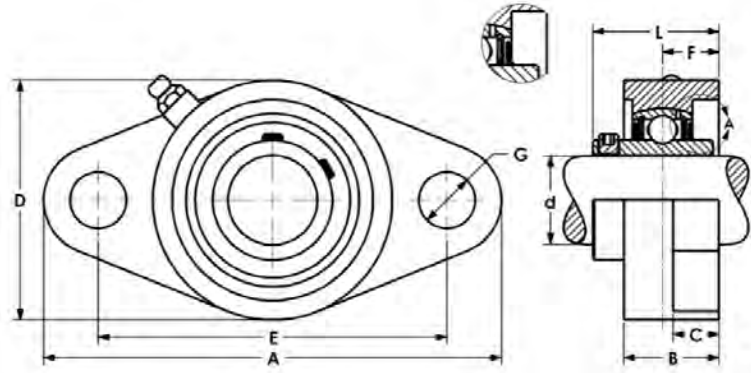
AISI 304 Stainless, Solid Base  
Grease Fitting: AISI 304

### Bearing Insert:

Inner & Outer Race: AISI 440C Stainless  
Cage & Set Screw: AISI 302 Stainless  
Balls: AISI 440C Stainless  
Seals: Rubber & AISI 302 Stainless  
Grease: Mobil FM222, NSF H-1 Food Grade



Models Available



Part No.	Shaft Size d		Dimensions (mm) (in)								Bearing No.	Housing No.	Wt. kg
	mm	in	A	B	C	D	E	F	G	L			
SUCSFL201-8 SUCSFL202-10		1/2 5/8	112 4.41	25.4 1.00	11.5 0.45	60 2.36	89.7 3.53	15.1 0.59	10 0.39	33.4 1.31	SUC201-8 SUC202-10	SFL204	0.8
SUCSFL204-20MM SUCSFL204-12	20	3/4	113 4.45	25.5 1.00	11.5 0.45	60 2.36	90 3.54	15 0.59	10 0.39	33.4 1.31	SUC204-20MM SUC204-12		
SUCSFL205-25MM SUCSFL205-14 SUCSFL205-15 SUCSFL205-16	25	7/8 15/16 1	125 4.92	27 1.06	13 0.51	68 2.68	99 3.90	16 0.63	12 0.47	35.7 1.41	SUC205-25MM SUC205-14 SUC205-15 SUC205-16	SFL205	1.0
SUCSFL206-30MM SUCSFL206-18 SUCSFL206-19 SUCSFL206-20	30	1-1/8 1-3/16 1-1/4	141 5.55	31 1.22	13 0.51	80 3.15	117 4.61	18 0.71	12 0.47	40.1 1.58	SUC206-30MM SUC206-18 SUC206-19 SUC206-20	SFL206	1.6
SUCSFL207-35MM SUCSFL207-20 SUCSFL207-22 SUCSFL207-23	35	1-1/4 1-3/8 1-7/16	156 6.14	34 1.34	14.3 0.56	90 3.54	130 5.12	19 0.75	13 0.51	44.5 1.75	SUC207-35MM SUC207-20 SUC207-22 SUC207-23	SFL207	2.0
SUCSFL208-40MM SUCSFL208-24	40	1-1/2	172 6.77	36 1.42	14.3 0.56	100 3.94	144 5.67	21 0.83	14 0.55	51.2 2.02	SUC208-40MM SUC208-24	SFL208	2.5
SUCSFL209-45MM SUCSFL209-27 SUCSFL209-28	45	1-11/16 1-3/4	179 7.05	38 1.50	14.3 0.56	106.5 4.19	148 5.83	22 0.87	15 0.59	52 2.05	SUC209-45MM SUC209-27 SUC209-28	SFL209	2.8
SUCSFL210-50MM SUCSFL210-31 SUCSFL210-32	50	1-15/16 2	189 7.44	40 1.57	15.1 0.59	113 4.45	157 6.18	22 0.87	15 0.59	54.4 2.14	SUC210-50MM SUC210-31 SUC210-32	SFL210	3.5
SUCSFL211-55MM SUCSFL211-32 SUCSFL211-35	55	2 2-3/16	223 8.78	43 1.69	18 0.71	129 5.08	184 7.25	25 0.98	19 0.70	58.4 2.30	SUC211-55MM SUC211-32 SUC211-35	SFL211	4.0
SUCSFL212-60MM SUCSFL212-39	60	2-7/16	248 9.76	48 1.89	17 0.67	138 5.43	202 7.95	29 1.14	23 0.91	68.7 2.70	SUC212-60MM SUC212-39	SFL212	5.8

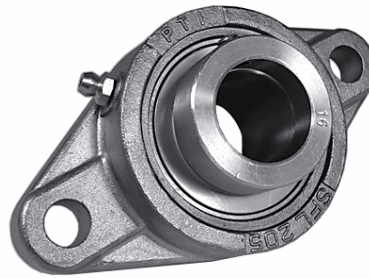
Note: Larger sizes available upon request. Larger Bearing inserts in stock.

# Stainless Steel 2-Bolt Flange



## SHCSFL 200 PTI Series

**Stainless Steel Normal Duty Bearing  
Eccentric Lock, Solid Base  
Metric and Inch Bores**

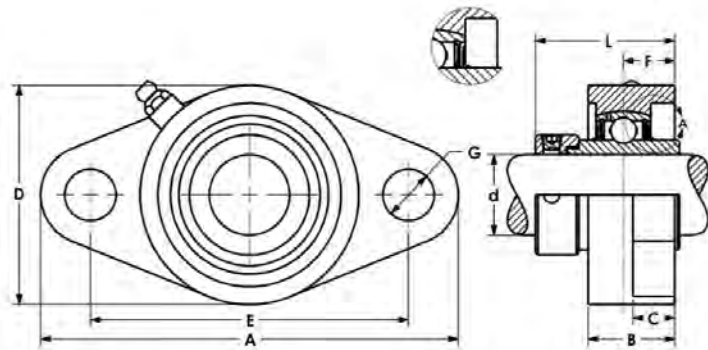


**Housing:**

AISI 304 Stainless, Solid Base  
Grease Fitting: AISI 304

**Bearing Insert:**

Inner & Outer Race: AISI 440C Stainless  
Cage & Set Screw: AISI 302 Stainless  
Balls: AISI 440C Stainless  
Seals: Rubber & AISI 302 Stainless  
Grease: Mobil FM222, NSF H-1 Food Grade  
Collar: AISI 304 Stainless



Models Available

Part No.	Shaft Size d		Dimensions (mm) (in)								Bearing No.	Housing No.	Wt. kg
	mm	in	A	B	C	D	E	F	G	L			
SHCSFL201-8		1/2	112	25.4	11.5	60	90	15	10	41.7	SHC201-8 SHC202-10	SFL204 (1)	0.8
SHCSFL202-10		5/8	4.40	1.00	0.45	2.36	3.53	0.59	0.39	1.64			
SHCSFL204-20MM	20		113	25.5	11.5	60	90	15	10	41.7	SHC204-20MM SHC204-12	SFL205	1.0
SHCSFL204-12		3/4	4.45	1.00	0.45	2.36	3.54	0.59	0.39	1.64			
SHCSFL205-25MM	25		125	27	13	68	99	16	12	42.8	SHC205-25MM SHC205-14	SFL206	1.6
SHCSFL205-14		7/8	4.92	1.06	0.51	2.67	3.90	0.63	0.47	1.69			
SHCSFL205-15		15/16									SHC205-15 SHC205-16	SFL207 (2)	2.0
SHCSFL205-16		1											
SHCSFL206-30MM	30		141	31	13	80	117	18	12	48	SHC206-30MM SHC206-18	SFL208 (2)	2.5
SHCSFL206-18		1-1/8	5.55	1.22	0.51	3.15	4.61	0.71	0.47	1.89			
SHCSFL206-19		1-3/16									SHC206-19 SHC206-20	SFL209	2.8
SHCSFL206-20		1-1/4											
SHCSFL207-35MM	35		156	34	14.3	90	130	19	13	51.4	SHC207-35MM SHC207-20	SFL210	3.5
SHCSFL207-20		1-1/4	6.14	1.34	0.56	3.54	5.12	0.75	0.50	2.02			
SHCSFL207-22		1-3/8									SHC207-22 SHC207-23	SFL211	4.0
SHCSFL207-23		1-7/16											
SHCSFL208-40MM	40		172	36	14.3	100	144	21	14	55.9	SHC208-40MM SHC208-24	SFL212	5.8
SHCSFL208-24		1-1/2	6.77	1.42	0.56	3.94	5.67	0.83	.55	2.20			
SHCSFL209-45MM	45		179	38	14.3	106.5	148	22	15	56.7	SHC209-45MM SHC209-27	SFL212	5.8
SHCSFL209-27		1-11/16	7.05	1.50	0.56	4.19	5.83	0.87	0.59	2.23			
SHCSFL209-28		1-3/4									SHC209-28 SHC210-50MM	SFL210	3.5
SHCSFL210-50MM	50		189	40	15.1	113	157	22	15	59.9			
SHCSFL210-31		1-15/16	7.44	1.57	0.59	4.45	6.18	0.87	0.59	2.36	SHC210-31 SHC210-32	SFL211	4.0
SHCSFL210-32		2											
SHCSFL211-55MM	55		223	43	18	129	184	25	19	68.6	SHC211-55MM SHC211-32	SFL212	5.8
SHCSFL211-32		2	8.78	1.69	0.71	5.08	7.25	0.98	0.75	2.70			
SHCSFL211-35		2-3/16									SHC211-35 SHC212-60MM	SFL212	5.8
SHCSFL212-60MM	60		248	48	17	138	202	29	23	75.8			
SHCSFL212-39		2-7/16	9.76	1.89	0.67	5.43	7.95	1.14	0.90	2.98	SHC212-39		

Note: (1) Housings available with 12mm holes. (2) Housings also available with 16mm holes.

# Stainless Steel 3-Bolt Flanged Bracket



## SUCSFB 200 PTI Series

**Stainless Steel Normal Duty Bearing  
Set Screw Lock, Solid Base  
Metric and Inch Bores**



### Housing:

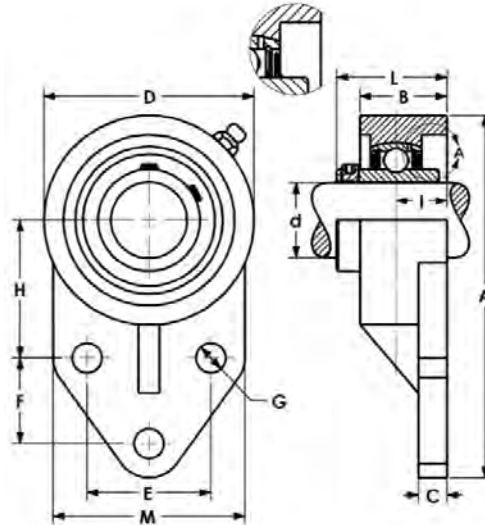
AISI 304 Stainless, Solid Base  
Grease Fitting: AISI 304

### Bearing Insert:

Inner & Outer Race: AISI 440C Stainless  
Cage & Set Screw: AISI 302 Stainless  
Balls: AISI 440C Stainless  
Seals: Rubber & AISI 302 Stainless  
Grease: Mobil FM222, NSF H-1 Food Grade



Models Available



Part No.	Shaft Size d		Dimensions (mm) (in)											Bearing No.	Housing No.	Wt. kg
	mm	in	A	B	C	D	E	F	G	H	I	L	M			
SUCSFB201-8		1/2	108	25.4	8	63	38.1	22.2	9.9	42.9	16	34.3	60	SUC201-8	SFB204	0.8
SUCSFB202-10		5/8	4.25	1.00	0.31	2.48	1.50	0.87	0.39	1.69	0.63	1.35	2.36	SUC202-10		
SUCSFB204-20MM	20		108	25.4	8	63.5	38.1	15.9	10.0	43.3	22	34.3	60	SUC204-20MM	SFB204	0.8
SUCSFB204-12		3/4	4.25	1.00	0.31	2.50	1.50	0.63	0.39	1.70	0.87	1.35	2.36	SUC204-12		
SUCSFB205-25MM	25		120.5	28.5	10	70.0	41.3	16.7	10	46	28.5	36.8	63	SUC205-25MM	SFB205	1.0
SUCSFB205-14		7/8	4.74	1.12	0.39	2.75	1.63	0.66	0.39	1.81	1.12	1.45	2.48	SUC205-14		
SUCSFB205-15		15/16												SUC205-15		
SUCSFB205-16		1												SUC205-16		
SUCSFB206-30MM	30		135.5	32	10	82	47.6	18.6	10	52.4	31.7	41.2	69.5	SUC206-30MM	SFB206	1.6
SUCSFB206-18		1-1/8	5.33	1.26	0.39	3.23	1.87	0.73	0.39	2.06	1.25	1.62	2.74	SUC206-18		
SUCSFB206-19		1-3/16												SUC206-19		
SUCSFB206-20		1-1/4												SUC206-20		
SUCSFB207-35MM	35		156	36.5	13.5	95	50.8	21	13	60.3	31.7	46.4	82.5	SUC207-35MM	SFB207	2.0
SUCSFB207-20		1-1/4	6.14	1.44	0.53	3.74	2.00	0.83	0.51	2.37	1.25	1.83	3.24	SUC207-20		
SUCSFB207-22		1-3/8												SUC207-22		
SUCSFB207-23		1-7/16												SUC207-23		
SUCSFB208-40MM	40		163.5	35.7	17	100	50	21	12	60.3	41.3	51.2	78	SUC208-40MM	SFB208	2.5
SUCSFB208-24		1-1/2	6.44	1.41	0.67	3.94	1.97	0.83	0.47	2.37	1.63	2.02	3.07	SUC208-24		
SUCSFB209-45MM	45		174	34.5	18.5	106	54	21.8	12	65	42.9	51.2	80	SUC209-45MM	SFB209	2.8
SUCSFB209-27		1-11/16	6.85	1.36	0.73	4.17	2.13	0.86	0.47	2.56	1.69	2.02	3.15	SUC209-27		
SUCSFB209-28		1-3/4												SUC209-28		
SUCSFB210-50MM	50		191	38	14	118	70	21.8	13	74.6	41.3	53.6	101.5	SUC210-50MM	SFB210	3.5
SUCSFB210-31		1-15/16	7.52	1.50	0.55	4.65	2.76	0.86	0.51	2.94	1.63	2.11	4.00	SUC210-31		
SUCSFB210-32		2												SUC210-32		

# Stainless Steel 3-Bolt Flanged Bracket



## SHCSFB 200 PTI Series

**Stainless Steel Normal Duty Bearing  
Eccentric Lock, Solid Base  
Metric and Inch Bores**



**Housing:**

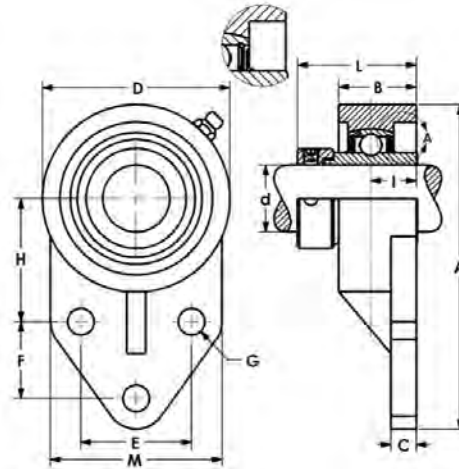
AISI 304 Stainless, Solid Base  
Grease Fitting: AISI 304

**Bearing Insert:**

Inner & Outer Race: AISI 440C Stainless  
Cage & Set Screw: AISI 302 Stainless  
Balls: AISI 440C Stainless  
Seals: Rubber & AISI 302 Stainless  
Grease: Mobil FM222, NSF H-1 Food Grade  
Collar: AISI 304 Stainless



Models Available



Part No.	Shaft Size d		Dimensions (mm) (in)											Bearing No.	Housing No.	Wt. kg
	mm	in	A	B	C	D	E	F	G	H	I	L	M			
SHCSFB201-8		1/2	108	25.4	8	63	38.1	22.2	9.9	42.9	16	42.6	60	SHC201-8	SFB204	0.8
SHCSFB202-10		5/8	4.25	1.00	0.31	2.48	1.50	0.87	0.39	1.69	0.63	1.68	2.36	SHC202-10		
SHCSFB204-20MM	20		108	25.4	8	63.5	38.1	15.9	10	43.3	22	42.6	60	SHC204-20MM	SFB204	0.8
SHCSFB204-12		3/4	4.25	1.00	0.31	2.50	1.50	0.63	0.39	1.69	0.87	1.68	2.36	SHC204-12		
SHCSFB205-25MM	25		120.5	28.5	10	70.0	41.3	16.7	10	46	28.5	43.9	63	SHC205-25MM	SFB205	1.0
SHCSFB205-14		7/8	4.74	1.12	0.39	2.76	1.63	0.66	0.39	1.81	1.12	1.73	2.48	SHC205-14		
SHCSFB205-15		15/16												SHC205-15		
SHCSFB205-16		1												SHC205-16		
SHCSFB206-30MM	30		135	32	10	82	47.6	18.6	10	52.4	31.7	49.1	69.5	SHC206-30MM	SFB206	1.6
SHCSFB206-18		1-1/8	5.33	1.26	0.39	3.23	1.87	0.73	0.39	2.06	1.25	1.93	2.74	SHC206-18		
SHCSFB206-19		1-3/16												SHC206-19		
SHCSFB206-20		1-1/4												SHC206-20		
SHCSFB207-35MM	35		156	36.5	13.5	95.0	50.8	21	13	60.3	31.7	53.3	82.5	SHC207-35MM	SFB207	2.0
SHCSFB207-20		1-1/4	6.14	1.44	0.53	3.74	2.00	0.83	0.51	2.37	1.25	2.10	36.25	SHC207-20		
SHCSFB207-22		1-3/8												SHC207-22		
SHCSFB207-23		1-7/16												SHC207-23		
SHCSFB208-40MM	40		163.5	35.7	17	100	50	21	12	60.3	41.3	55.9	78	SHC208-40MM	SFB208	2.5
SHCSFB208-24		1-1/2	6.44	1.41	0.67	3.94	2.0	0.83	0.47	2.36	0.63	2.20	3.07	SHC208-24		
SHCSFB209-45MM	45		174	34.5	18.5	106	54	21.8	12	65	42.9	55.9	80	SHC209-45MM	SFB209	2.8
SHCSFB209-27		1-11/16	6.85	1.36	0.73	4.17	2.13	0.86	0.47	2.56	1.69	2.20	3.15	SHC209-27		
SHCSFB209-28		1-3/4												SHC209-28		
SHCSFB210-50MM	50		191	38	14	118	70	21.8	13	74.6	41.3	59.1	101.5	SHC210-50MM	SFB210	3.5
SHCSFB210-31		1-15/16	7.52	1.50	0.55	4.65	2.76	0.86	0.51	2.94	1.63	2.33	4.00	SHC210-31		
SHCSFB210-32		2												SHC210-32		

# Stainless Steel Take-Up



## SUCST 200 PTI Series

**Stainless Steel Normal Duty Bearing  
Set Screw Lock  
Metric and Inch Bores**

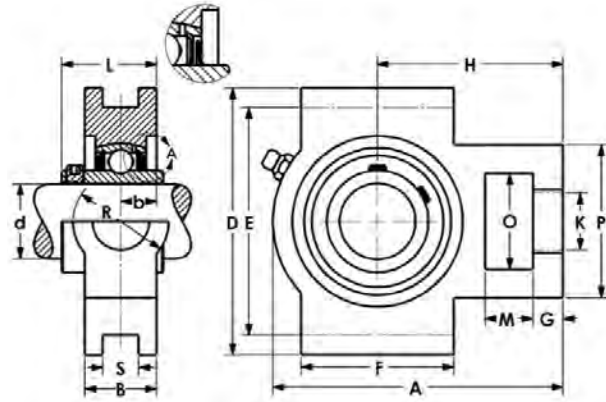


### Housing:

AISI 304 Stainless  
Grease Fitting: AISI 304

### Bearing Insert:

Inner & Outer Race: AISI 440C Stainless  
Cage & Set Screws: AISI 302 Stainless  
Balls: AISI 440C Stainless  
Seals: Rubber & AISI 302 Stainless  
Grease: Mobil FM222, NSF H-1 Food Grade



Models Available

Part No.	Shaft Size d		Dimensions (mm) (in)														Bearing No.	Housing No.	Wt. kg	
	mm	in	A	B	b	D	E	F	G	H	K	L	M	O	P	R				S
SUCST201-8		1/2	94	21	10.5	89	76	51	10	61	19	28.7	16	32	51	32	12	SUC201-8	ST204	1.0
SUCST202-10		5/8	3.70	0.83	0.41	3.50	2.99	2.01	0.39	2.40	0.75	1.13	0.63	1.26	2.01	1.26	0.47	SUC202-10		
SUCST204-20MM	20		94	21	10.5	89	76	51	10	61	19	28.75	16	32	51	32	12	SUC204-20MM	ST205	1.2
SUCST204-12		3/4	3.70	0.83	0.41	3.50	2.99	2.01	0.39	2.40	0.75	1.13	0.63	1.26	2.01	1.26	0.47	SUC204-12		
SUCST205-25MM	25		97	24	12	89	76	51	10	62	19	31.78	16	32	51	32	12	SUC205-25MM	ST206	1.8
SUCST205-14		7/8	3.82	0.94	0.47	3.50	2.99	2.01	0.39	2.44	0.75	1.25	0.63	1.26	2.01	1.26	0.47	SUC205-14		
SUCST205-15		15/16																SUC205-15		
SUCST205-16		1																SUC205-16		
SUCST206-30MM	30		113	28	14	102	89	57	10	70	22	36.17	16	37	56	37	12	SUC206-30MM	ST207	2.2
SUCST206-18		1-1/8	4.45	1.10	0.55	4.02	3.50	2.24	0.39	2.76	0.87	1.42	0.63	1.46	2.20	1.46	0.47	SUC206-18		
SUCST206-19		1-3/16																SUC206-19		
SUCST206-20		1-1/4																SUC206-20		
SUCST207-35MM	35		130	30	15	102	89	64	14	78	22	40.37	16	37	64	37	12	SUC207-35MM	ST208	2.5
SUCST207-20		1-1/4	5.12	1.18	0.59	4.02	3.50	2.52	0.55	3.07	0.87	1.59	0.63	1.46	2.52	1.46	0.47	SUC207-20		
SUCST207-22		1-3/8																SUC207-22		
SUCST207-23		1-7/16																SUC207-23		
SUCST208-40MM	40		144	33	16.5	114	102	83	16	88	29	46.6	19	49	83	49	16	SUC208-40MM	ST209	2.5
SUCST208-24		1-1/2	5.67	1.30	0.65	4.49	4.02	3.27	0.63	3.46	1.14	1.83	0.75	1.93	3.27	1.93	0.63	SUC208-24		
SUCST209-45MM	45		144	35	17.5	117	102	83	16	87	29	47.7	19	49	83	49	16	SUC209-45MM	ST210	2.6
SUCST209-27		1-11/16	5.67	1.38	0.69	4.61	4.02	3.27	0.63	3.43	1.14	1.88	0.75	1.93	3.27	1.93	0.63	SUC209-27		
SUCST209-28		1-3/8																SUC209-28		
SUCST210-50MM	50		149	37	18.5	117	102	86	16	90	29	48.7	19	49	83	49	16	SUC210-50MM	ST210	2.6
SUCST210-31		1-15/16	5.87	1.46	0.73	4.61	4.02	3.39	0.63	3.54	1.14	1.92	0.75	1.93	3.27	1.93	0.63	SUC210-31		
SUCST210-32		2																SUC210-32		

Note: \*Wide Slot unit also available from stock for size 207, slot width 13.5.



# Stainless Steel Take-Up



## SHCST 200 PTI Series

**Stainless Steel Normal Duty Bearing  
Eccentric Lock  
Metric and Inch Bores**

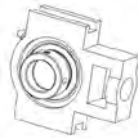
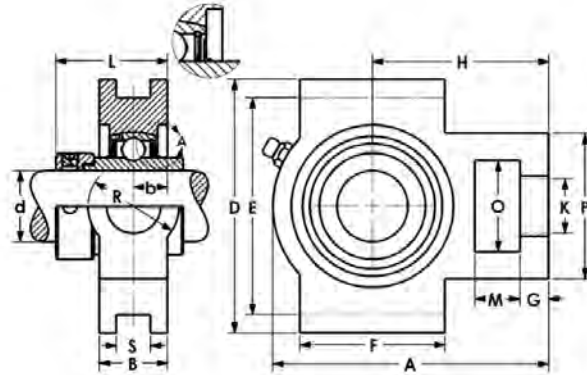


**Housing:**

AISI 304 Stainless  
Grease Fitting: AISI 304

**Bearing Insert:**

Inner & Outer Race: AISI 440C Stainless  
Cage & Set Screw: AISI 302 Stainless  
Balls: AISI 440C Stainless  
Seals: Rubber & AISI 302 Stainless  
Grease: Mobil FM222, NSF H-1 Food Grade  
Collar: AISI 304 Stainless



Models Available

Part No.	Shaft Size d		Dimensions (mm) (in)														Bearing No.	Housing No.	Wt. kg	
	mm	in	A	B	b	D	E	F	G	H	K	L	M	O	P	R				S
SHCST201-8		1/2	94	21	10.5	89	76	51	10	61	19	37.1	16	32	51	32	12	SHC201-8	ST204	1.0
SHCST202-10		5/8	3.70	0.83	0.41	3.50	2.99	2.01	0.39	2.40	0.75	1.46	0.63	1.26	2.01	1.26	0.47	SHC202-10		
SHCST204-20MM	20		94	21	10.5	89	76	51	10	61	19	37.1	16	32	51	32	12	SHC204-20MM	ST204	1.0
SHCST204-12		3/4	3.70	0.83	0.41	3.50	2.99	2.01	0.39	2.40	0.75	1.46	0.63	1.26	2.01	1.26	0.47	SHC204-12		
SHCST205-25MM	25		97	24	12	89	76	51	10	62	19	3.89	16	32	51	32	12	SHC205-25MM	ST205	1.2
SHCST205-14		7/8	3.82	0.94	0.47	3.50	2.99	2.01	0.39	2.44	0.75	0.15	0.63	1.26	2.01	1.26	0.47	SHC205-14		
SHCST205-15		15/16																SHC205-15		
SHCST205-16		1																SHC205-16		
SHCST206-30MM	30		113	28	14	102	89	57	10	70	22	44.1	16	37	56	37	12	SHC206-30MM	ST206	1.8
SHCST206-18		1-1/8	4.45	1.10	0.55	4.02	3.50	2.24	0.39	2.76	0.87	1.74	0.63	1.46	2.20	1.46	0.47	SHC206-18		
SHCST206-19		1-3/16																SHC206-19		
SHCST206-20		1-1/4																SHC206-20		
SHCST207-35MM	35		130	30	15	102	89	64	14	78	22	47.3	16	37	64	37	12	SHC207-35MM	ST207 ST207WS *	2.2
SHCST207-20		1-1/4	5.12	1.18	0.59	4.02	3.50	2.52	0.55	3.07	0.87	1.86	0.63	1.46	2.52	1.46	0.47	SHC207-20		
SHCST207-22		1-3/8																SHC207-22		
SHCST207-23		1-7/16																SHC207-23		
SHCST208-40MM	40		144	33	16.5	114	102	83	16	88	29	51.4	19	49	83	49	16	SHC208-40MM	ST208	2.6
SHCST208-24		1-1/2	5.67	1.30	0.65	4.49	4.02	3.27	0.63	3.46	1.14	2.02	0.75	1.93	3.27	1.93	0.63	SHC208-24		
SHCST209-45MM	45		144	35	17.5	117	102	83	16	87	29	53.9	19	49	83	49	16	SHC209-45MM	ST209	2.7
SHCST209-27		1-11/16	5.67	1.38	0.69	4.60	4.02	3.27	0.63	3.43	1.14	2.12	0.75	1.93	3.27	1.93	0.63	SHC209-27		
SHCST209-28		1-3/8																SHCST209-28		
SHCST210-50MM	50		149	37	18.5	117	102	86	16	90	29	57	19	49	83	49	16	SUC210-50MM	ST210	2.8
SHCST210-31		1-15/16	5.86	1.46	0.73	4.60	4.02	3.38	0.63	3.54	1.14	2.24	0.75	1.93	3.27	1.93	0.63	SUC210-31		
SHCST210-32		2																SUC210-32		

Note: \*Wide Slot unit also available from stock for size 207, with slot width of 13.5MM.

# Stainless Steel Ball Bearing Inserts

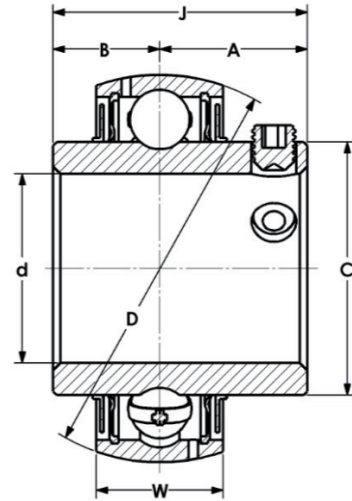


## SUC 200 PTI Series

**Stainless Steel Normal Duty Bearing**  
**Set Screw Lock**  
**Metric and Inch Bores**  
**Wide Inner Ring**



Triple Lip seal option (L3)



### Bearing Insert:

Inner & Outer Race: AISI 440C Stainless  
 Cage: AISI 302 Stainless  
 Balls: AISI 400C Stainless  
 Seals: Rubber & AISI 302 Stainless  
 Set Screws: AISI 302 Stainless  
 Grease: Mobil FM222, USDA H-1

Part No.	Shaft Size d		Dimensions (mm) (in)						Basic Load Rating CN lbf	Basic Static Load Rating C <sub>0</sub> lbf	Max rpm	Wt. kg
	mm	in	A	B	C	D	J	W				
SUC204-20MM	20		18.3	12.7	28.5	47	31	17	10560	5190		
SUC201-8		1/2	0.72	0.5	1.12	1.8504	1.22	0.669	2400	1180	7450	0.2
SUC202-10		5/8										
SUC204-12		3/4										
SUC205-25MM	25		19.8	14.3	34	52	34.1	17	11440	6290		
SUC205-14		7/8	0.78	0.56	1.34	2.0472	1.34	0.669	2600	1430	6250	0.2
SUC205-15		15/16										
SUC205-16		1										
SUC206-30MM	30		22.2	15.9	40	62	38.1	19	16280	8900		
SUC206-18		1-1/8	0.87	0.63	1.57	2.4409	1.5	0.748	3700	2030	5300	0.3
SUC206-19		1-3/16										
SUC206-20		1-1/4										
SUC207-35MM	35		25.4	17.5	46.7	72	42.9	20	21340	12320		
SUC207-20		1-1/4	1.0	0.69	1.84	2.8346	1.69	0.787	4850	2800	4500	0.5
SUC207-22		1-3/8										
SUC207-23		1-7/16										
SUC208-40MM	40		30.2	19	52.7	80	49.2	21	24640	14080	4000	0.7
SUC208-24		1-1/2	1.19	0.75	2.07	3.1496	1.94	0.827	5600	3200		
SUC209-45MM	45		30.2	19	57.3	85	49.2	22	27280	15840		
SUC209-27		1-11/16	1.19	0.75	2.26	3.3465	1.94	0.866	6200	3600	3700	0.7
SUC209-28		1-3/4										
SUC210-50MM	50		32.6	19	62.2	90	51.6	24	29920	18500		
SUC210-31		1-15/16	1.28	0.75	2.45	3.5433	2.03	0.945	6800	4200	3400	0.8
SUC210-32		2										
SUC211-55MM	55		33.4	22.2	68.8	100	55.6	25	32560	24640		
SUC211-32		2	1.31	0.87	2.71	3.94	2.19	0.984	7400	5600	3100	1.1
SUC211-35		2-3/16										
SUC212-60MM	60		39.7	25.4	75.4	110	65.1	27	39600	30360		
SUC212-39		2-7/16	1.56	1.00	2.97	4.3307	2.56	1.063	9000	6900	2800	1.5
SUC215-47	—	2-15/16	1.75	1.31	3.62	5.1181	3.06	1.26	48400	40700	2300	2.2
SUC215-48	—	3							11000	9250		

Note: Larger sizes possible. Consult PTI.

# Stainless Steel Ball Bearing Inserts



## SHC 200 PTI Series

Stainless Steel, Normal Duty

Eccentric Collar Lock

Metric and Inch Bores

Wide Inner Ring

Bearing Insert:

Inner & Outer Race: AISI 440C Stainless

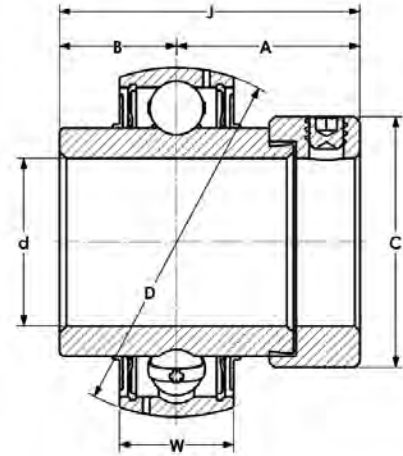
Cage & Set Screw: AISI 302 Stainless

Balls: AISI 400C Stainless

Seals: Rubber & AISI 302 Stainless

Collar: AISI 304 Stainless

Grease: Mobil FM222, USDA H-1



Part No.	Shaft Size d		Dimensions (mm) (in)						Basic Load Rating C N lbf	Basic Static Load Rating C <sub>0</sub> N lbf	Max rpm	Wt. kg
	mm	in	A	B	C	D	J	W				
SHC201-8		1/2	26.6	12.7	33.3	47	39.3	17	10560	5190	7450	0.2
SHC202-10		5/8	1.05	0.50	1.31	1.850	1.55	0.67	2400	1180		
SHC204-20MM	20	3/4	26.6	12.7	33.3	47	39.3	17	10560	5190	7450	0.2
SHC204-12			1.05	0.50	1.31	1.850	1.55	0.67	2400	1180		
SHC205-25MM	25	7/8	26.9	14.3	38.1	52	41.2	17	11440	6290	6250	0.3
SHC205-14		15/16	1.06	0.56	1.50	2.047	1.62	0.67	2600	1430		
SHC205-16		1										
SHC206-30MM	30	1-1/8	30.1	15.9	44.5	62	46.1	19	16280	8900	5300	0.5
SHC206-18		1-3/16	1.19	0.63	1.75	2.441	1.82	0.75	3700	2030		
SHC206-19		1-1/4										
SHC206-20												
SHC207-35MM	35	1-1/4	32.3	17.5	55.6	72	49.8	20	21340	12320	4500	0.7
SHC207-20		1-3/8	1.27	0.69	2.19	2.835	1.96	0.79	4850	2800		
SHC207-22		1-7/16										
SHC207-23												
SHC208-40MM	40	1-1/2	34.9	19.0	60.3	80	53.9	21	24640	14080	4000	0.8
SHC208-24			1.37	0.75	2.37	3.150	2.12	0.83	5600	3200		
SHC209-45MM	45	1-5/8	34.9	19.0	63.5	85	53.9	22	27280	15840	3700	1.1
SHC209-26		1-11/16	1.38	0.75	2.50	3.347	2.12	0.87	6200	3600		
SHC209-27		1-3/4										
SHC209-28												
SHC210-50MM	50	1-7/8	38.1	19.0	69.9	90	57.0	24	29920	18500	3400	1.2
SHC210-30		1-15/16	1.50	0.75	2.75	3.543	2.24	0.94	6800	4200		
SHC210-31		2										
SHC210-32												
SHC211-55MM	55	2	43.6	22.2	76.2	100	65.8	25	32560	24640	3100	1.4
SHC211-32		2-3/16	1.72	.87	3.00	3.937	2.59	0.98	7400	5600		
SHC211-35												
SHC212-60MM	60	2-3/8	46.8	25.4	84.2	110	72.2	27	39600	30360	2800	1.8
SHC212-38		2-7/16	1.84	1.00	3.31	4.331	2.84	1.06	9000	6900		
SHC212-39												

Note: Larger sizes on request.

# Stainless Steel Ball Bearing Inserts



## SSB 200 PTI Series

Stainless Steel Normal Duty

Set Screw Lock

Metric and Inch Bores

Narrow Inner Ring

Steel Cage

Bearing Insert:

Inner & Outer Race: AISI 440C Stainless

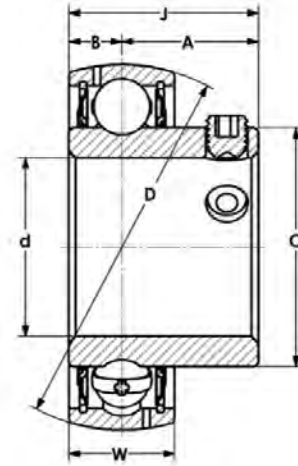
Cage: AISI 302 Stainless

Balls: AISI 400C Stainless

Seals: Rubber & AISI 302 Stainless

Set Screw: AISI 302 Stainless

Grease: Mobil FM222, USDA H-1



Beveled

Part No.	Shaft Size d		Dimensions (mm) (in)						Basic Load Rating C N lbf	Basic Static Load Rating C <sub>0</sub> N lbf	Max rpm	Wt. kg		
	mm	in	A	B	C	D	J	W						
SSB201-12MM	12		16	6	24.7	40	22	12	7820	3580	7500	0.15		
SSB202-15MM	15													
SSB203-17MM	17													
SSB201-8		1/2	0.63	0.24	0.97	1.575	0.87	0.472	1775	810	7500	0.15		
SSB202-10		5/8												
SSB203-11		11/16												
SSB204-20MM	20		18	7.0	28.50	47	25.0	14	10560	5190	7450	0.1		
SSB204-12		3/4	0.71	0.28	1.12	1.850	0.98	0.551					2400	1180
SSB205-25MM	25		19.5	7.5	34.01	52	27.0	15	11440	6290	6250	0.1		
SSB205-14		7/8	0.77	0.30	1.34	2.047	1.06	0.591					2600	1430
SSB205-16		1												
SSB206-30MM	30		22	8.0	40.00	62	30.0	16	16280	8900	5300	0.3		
SSB206-18		1-1/8	0.87	0.31	1.57	2.441	1.18	0.630					3700	2030
SSB206-19		1-3/16												
SSB206-20		1-1/4												
SSB207-35MM	35		23.5	8.5	46.69	72	32.0	17	21340	12320	4500	0.4		
SSB207-20		1-1/4	0.93	0.33	1.84	2.835	1.26	0.669					4850	2800
SSB207-22		1-3/8												
SSB207-23		1-7/16												
SSB208-40MM	40		25	9.0	52.70	80	34.0	18	24640	14081	4000	0.5		
SSB208-24		1-1/2	0.98	0.35	2.07	3.150	1.34	0.709					5600	3200

# Stainless Steel Ball Bearing Inserts



## SSER 200 PTI Series

Set Screw Lock

Normal Duty

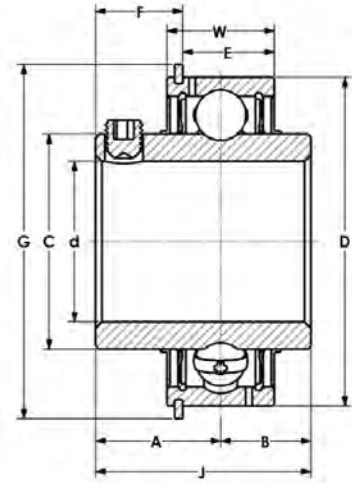
Metric and Inch Bores

OD Snap Ring

Wide Inner Ring

### Bearing Materials:

- Inner & Outer Race: AISI 440C Stainless
- Cage: AISI 302 Stainless
- Balls: AISI 400C Stainless
- Seals: Rubber & AISI 302 Stainless
- Set Screws: AISI 302 Stainless
- Snap Ring: AISI 304 Stainless
- Grease: Mobil FM222, USDA H-1



Part No.	Shaft Size d		Dimensions (mm) (in)									Load Ratings		Max rpm	Wt. kg
	mm	in	A	B	C	D	E	F	G	J	W	Dynamic C N lbf	Static C <sub>0</sub> N lbf		
SSER204-20MM	20		19.5	11.5	28.3	47	12.06	15.08	52.7	31	15.9	10560	5190	7450	0.3
SSER204-12		3/4	0.77	0.45	1.11	1.850	0.47	0.59	2.07	1.22	0.63	2400	1180		
SSER205-25MM	25		21.8	13.1	34.0	52	15.29	15.78	57.9	34.9	19.1	11440	6290	6250	0.3
SSER205-15		15/16	0.86	0.52	1.34	2.047	0.60	0.62	2.28	1.37	0.75	2600	1430		
SSER205-16		1													
SSER206-30MM	30		22.2	15.9	40.3	62	17.02	15.93	67.7	38.1	22.2	16280	8900	5300	0.4
SSER206-18		1-1/8	0.87	0.63	1.59	2.441	0.67	0.63	2.67	1.50	0.87	3700	2030		
SSER206-19		1-3/16													
SSER206-20		1-1/4													
SSER207-35MM	35		25.4	17.5	46.9	72	18.62	18.32	78.6	42.9	23.8	21340	12320	4500	0.5
SSER207-20		1-1/4	1.0	0.69	1.85	2.835	0.73	0.72	3.09	1.69	0.94	4850	2800		
SSER207-23		1-7/16													
SSER208-40MM	40		30.2	19	52.4	80	22.62	21.1	86.6	49.2	27.8	24640	14080	4000	0.7
SSER208-24		1-1/2	1.19	0.75	2.06	3.150	0.89	0.83	3.41	1.94	1.09	5600	3200		
SSER209-45MM	45		30.2	19	57.4	85	22.62	21.1	91.6	49.2	27.8	27280	15840	3700	0.8
SSER209-27		1-11/16	1.19	0.75	2.26	3.346	0.89	0.83	3.61	1.94	1.09	6200	3600		
SSER209-28		1-3/4													
SSER210-50MM	50		32.6	19	61.8	90	22.62	23.84	96.5	51.6	28.6	29920	18500	3400	0.9
SSER210-31		1-15/16	1.28	0.75	2.43	3.543	0.89	0.94	3.80	2.03	1.13	6800	4200		
SSER210-32		2													
SSER211-55MM	55		33.4	22.2	68.7	100	24.22	23.84	106.5	55.6	30.2	43030	28950	3100	1.2
SSER211-32		2	1.31	0.87	2.70	3.937	0.95	0.94	4.19	2.19	1.19	9780	6580		
SSER211-35		2-3/16													
SSER212-60MM	60		39.7	25.4	75.7	110	25.82	29.4	116.6	65.1	31.8	52000	35590	2800	1.6
SSER212-39		2-7/16	1.56	1.00	2.98	4.331	1.02	1.16	4.59	2.56	1.25	11800	8090		

# SRE & SR2200 Spherical Roller Bearings



## Overview

SRE & SR2200 Spherical Roller Bearing units are rugged, assembled, ready to install and available from 1-7/16" through 5" and 40mm through 125mm shaft sizes. The Standard Ductile Iron Housing combined with dynamic (operating) misalignment capability make this one of the most rugged and capable units on the market. Expansion and non-expansion units are standard. Units interchange with industry standard bolt centers, shaft center heights and lengths through bores. With a solid base, it's one of the heaviest blocks in the industry. They are available with single or double set screw locking collars for maximum holding power, easy installation and simple axial positioning. A variety of seal options and end covers allow application choices to ensure a long service life.

The 4762XX series of spherical roller bearing inserts is one of the most popular types in the industry. Each unit is assembled in our Charlotte, NC facility, lubricated and ready to install. These bearings are designed to accommodate +/- 1-1/2° degrees of shaft misalignment. Additionally, expansion units will accommodate shaft growth due to temperature changes. The spherical bearing accommodates a combination of radial and thrust loads. Pure thrust loads must be avoided; but as long as there is an appropriate radial load, up to 25% is



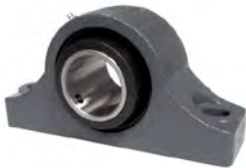
typically allowed as a thrust load. The following charts and load ratings will help make selection simple. There are a variety of housing styles available including 2 & 4-Bolt Pillow Blocks, 4-Bolt Flanges, Piloted Flanges and Take-Up Units.

All have optional open or closed end covers for the ultimate protection against contaminants. Custom units and modifications are also available on request.



## Housing Styles, Seals & End Covers

### Pillow Blocks



**SRE-PB2 Series  
2-Bolt Pillow Block**  
1-7/16" through 4" and  
40mm to 100mm shaft sizes  
with Tapered E-Series  
mounting dimensions



**SR2-PB2 Series  
2-Bolt Pillow Block**  
1-7/16" through 4" and  
40mm to 100mm shaft sizes  
with Spherical Series mounting  
dimensions



**SRE-PB4 Series  
4-Bolt Pillow Block**  
2-7/16" through 5" and  
65mm to 125mm shaft sizes  
with Tapered E-Series  
mounting dimensions



**SR2-PB4 Series  
4-Bolt Pillow Block**  
2-7/16" through 5" and 65mm  
to 125mm shaft sizes with  
Spherical Series mounting  
dimensions

### 4 Bolt Flanges



**SRE-FB4 and SR2-FB4  
Series  
4-Bolt Flange**  
1-7/16" through 4" and  
40mm to 100mm shaft  
sizes with Spherical Series  
and E-Type mounting  
dimensions



**SRE-FC4 and SR2-FC4  
Series  
4-Bolt Piloted Flange**  
1-7/16" through 4" and  
40mm to 100mm shaft sizes  
with Spherical Series and E-  
Type mounting dimensions

### Take-Up Units



**SR2-WSTU Series  
Wide Slot Take Up**  
2-7/16" through 4" and  
40mm to 90mm shaft sizes  
with Spherical Series  
mounting dimensions.

# SRE & SR2200 Spherical Roller Bearings



## Key Features:

**9 Housing Styles; 2 & 4-Bolt Pillow Blocks, 4-Bolt Flanges, 4-Bolt Piloted Flanges, Take-Up Units; 21 Shaft Sizes (1-7/16" through 5" and 40mm through 125mm)**

All Units Assembled in Charlotte, NC.

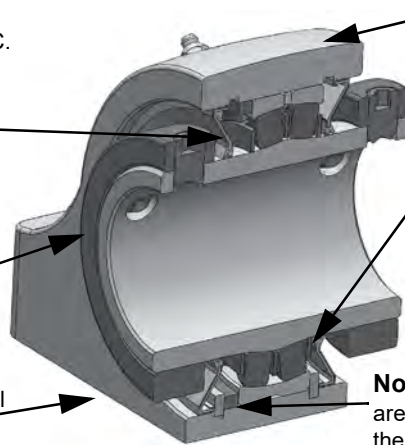
### Large Grease Reservoir

High-Quality Lithium Grease is standard. Temp Range of -22°F to 290°F. Special lubricants are available on request.

### Set Screw Locking Collar

for easy installation. Single and Double Collar versions available.

**End Covers** are available for all housing configurations.



**Ductile Iron Housings** are standard for rugged duty. Most robust housing in the industry. Interchangeable with Industry common configurations.

### Triple Lip HNBR Rubber Seals

(-22°F to +290°F) provides improved ozone and chemical resistance over typical NBR material. Additional seal options available.

**Optional Fittings** for monitoring temperature and vibration are available on request.

**Non-Expansion and Expansion Bearings** are both standard. The added fixing ring creates the Non-Expansion bearing.

## Seal Options



### HNBR Triple Lip (R3)

The standard HNBR Seal is capable of 290°F. For higher temps or labyrinth only seals, Teflon or metal labyrinth seals are optional.



### Teflon Labyrinth (TL)

The Teflon Labyrinth is a non contact seal for higher speeds and temperatures capable of operating temperatures from -100°F to +400°F. The Teflon seal rotates with the bearing inner ring.



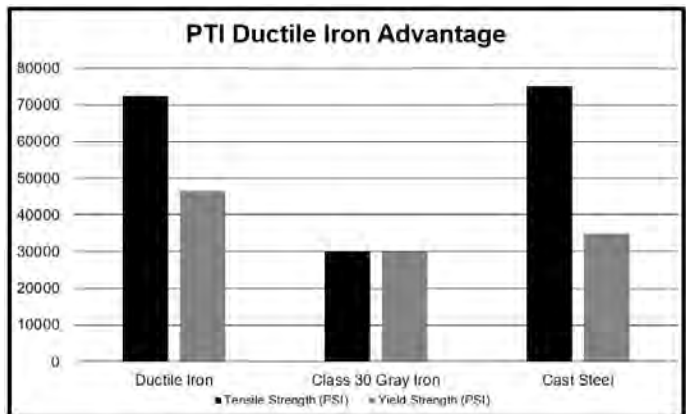
### Steel Labyrinth Seal (SL)

The Metal Floating Labyrinth is a series of metals seals, capable of even higher temperatures that is only limited by the lubricant chosen.



## Ductile Housings

Ductile Iron housings have significantly more strength than the more common Cast Iron housing and are virtually identical to steel material strength at a fraction of the cost.



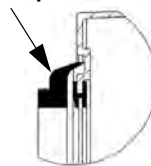
## End Covers

### Open Covers

Open End Covers (OEC) includes a double lip contact shaft seal and accepts an optional face wiper seal (LERDC) for ultimate protection.



### LER DC Wiper



### Closed Covers

Closed End Covers (CEC) seal the exposed side of the bearing unit. Available for all units.



# SRE & SR2200 Spherical Roller Bearings



## Selection Criteria

### Load

There are two types of bearing loads: Radial and Thrust. For proper selection, these loads must be determined. Service factors for applications can vary from uniform, light or heavy, plus shock loads. The service factor for light uniform loads is 1.0, for medium loads use 2.0, and for heavy or shock loads use 3.0 times the load.

### Speed

When selecting bearings, the maximum speed published is intended only as a guide. It is also generally assumed in life calculations that heavy loads are not applied at the maximum speed, but rather light loads at higher speeds and heavier loads at lower speeds. Heavy loads or high speeds will increase the bearing operating temperatures, which can affect the lubricant and seals. Bearing speeds are limited primarily by the tolerance grade of bearing roller and raceway, lubricant, ambient conditions, retainer design, and seal type.

### Life

The  $L_{10}$  Life is the expected life of a bearing based on normal conditions. Factors involving temperatures and ambient conditions, i.e. chemicals, moisture, and maintenance intervals, are not factored into the basic life formula. However, they should be considered in selection criteria. Typically, industrial applications, such as conveying machinery, kilns, hoists, pumps, cable reeling equipment, industrial fans, and similar applications have design life for bearings from 30,000 hours to 100,000 hours. To determine the  $L_{10}$  hours of life for a spherical roller bearing use the following formula:

$$\text{Life Equation: } L_{10} = (C/P)^{3.33} \times 16667/\text{RPM}$$

where:  $L_{10}$  = Expected Bearing Life in hours.

$C$  = Dynamic capacity (lbs).

$P$  = Equivalent load (lbs).

$\text{RPM}$  = Shaft speed in revolutions per minute.

When  $P$  is a radial load only, then  $P$  = the actual radial load. If there is a thrust and radial load acting on the bearing, then these loads must be converted into an equivalent load to calculate  $L_{10}$ .

### The Equivalent Load Formula:

$$P = X F_R + Y F_A$$

Where:  $P$  = Equivalent load (lbs)

$F_R$  = Radial load (lbs)

$F_A$  = Thrust load (lbs)

$e$  = Thrust load divided by Radial load factor (Chart 1)

$X$  = Radial load factor (See Chart 1)

$Y$  = Thrust load factor (See Chart 1)

SRE-SR2 Spherical Roller Bearing Factors Chart 1

Shaft Size	Bearing Size	e	$F_A/F_R \leq e$		$F_A/F_R > e$	
			X	Y	X	Y
1-7/16, 1-1/2, 30mm, 35mm	208	0.28	1	2.4	0.67	3.6
1-1/2, 1-11/16, 1-3/4 40mm, 45mm	209	0.26	1	2.6	0.67	3.9
1-3/4, 1-15/16, 2, 50mm	210	0.24	1	2.8	0.67	4.2
2-3/16, 55mm	211	0.24	1	2.8	0.67	4.2
2-7/16, 2-1/2, 60mm	213	0.24	1	2.8	0.67	4.2
2-11/16, 2-3/4, 2-15/16, 3 65mm, 70mm, 75mm	215	0.22	1	3.0	0.67	4.6
3-7/16, 3-1/2 80mm, 85mm, 90mm	218	0.23	1	2.9	0.67	4.4
3-11/16, 3-15/16, 4 100mm	220	0.24	1	2.8	0.67	4.2
4-7/16, 4-1/2, 110mm	222	0.25	1	2.7	0.67	4.0
4-15/16, 5, 125mm	226	0.26	1	2.6	0.67	3.9

To find  $X$  and  $Y$ , divide  $F_A/F_R$  to determine  $e$  for the bearing shaft size. Determine  $X$  and  $Y$  from Chart 1 depending on whether  $F_A/F_R$  is equal to or less than  $e$ , or if  $F_A/F_R$  is greater than  $e$ .

Next substitute all known values into  $P = X F_R + Y F_A$  equation. Then insert the value of  $P$  into the  $L_{10}$  life formula to determine the life hours of the bearing,  $\text{RPM}$  is the shaft speed in revolutions per minute.

Insert resulting  $P$  value into the life equation to determine bearing life. The  $C$  (Dynamic Load Rating) for each bearing can be found on each of the bearing pages or on the insert page. Do not exceed the Static Load Rating  $C_0$  of any bearing or permanent damage will occur. If there are shock loads or harsh duty conditions, additional service factors should be used to allow additional capacity. Please consult PTI for further detail.

### Misalignment

There are two types of misalignment: **Static**, which refers usually to a bearing alignment in a housing, or the alignment of the bearing / housing to the shaft. **Dynamic**, which is usually a misalignment that can be handled within the bearing while operating. Aligned bearings run smoother, cooler, and quieter than misaligned units. Consequently, misaligned bearings may run hotter than aligned units. Cooler running bearings will operate longer. These Double Row Spherical Roller Bearings have +/- 1-1/2° of static or dynamic misalignment. All misalignment is accommodated within the rolling elements.



## Load and Speed Ratings

**Chart 2**

Housing Size	Shaft Size d	Part No. Single Collar	Part No. Double Collar	C (Lbs)	Co (Lbs)	Max Speed (RPM)		
						Grease-Triple Lip	Teflon Labyrinth	Metal Labyrinth
208	30mm	476208-30MM	—	17,540	20,230	2,750	3,600	3,600
	35mm	476208-35MM	—					
	1-7/16	476208-107	476208-107VSB					
209	1-1/2	476208-108	—	17,980	21,360	2,425	3,360	3,200
	40mm	476209-40MM	—					
	45mm	476209-45MM	—					
	1-1/2	476209-108	—					
	1-11/16	476209-111	—					
210	1-3/4	476209-112	—	20,230	24,730	2,225	3,180	3,180
	50mm	476210-50MM	—					
	1-3/4	476210-112	—					
	1-15/16	476210-115	476210-115VSB					
211	2	476210-200	—	23,600	28,100	2,000	2,800	2,800
	55mm	476211-55MM	—					
213	2-3/16	476211-203	—	37,090	46,090	1,700	2,300	2,300
	60mm	476213-60MM	476213-60MMVSB					
	2-7/16	476213-207	476213-207VSB					
215	2-1/2	476213-208	—	41,590	52,830	1,500	2,150	2,150
	65MM	476215-65MM	476215-65MMVSB					
	70MM	476215-70MM	476215-70MMVSB					
	75MM	476215-75MM	476215-75MMVSB					
	2-11/16	476215-211	—					
	2-3/4	476215-212	—					
218	2-15/16	476215-215	476215-215VSB	62,950	83,180	1,250	1,600	1,600
	3	476215-300	—					
	80MM	476218-80MM	—					
220	85MM	476218-85MM	476218-85MMVSB	84,300	112,400	1,100	1,350	1,350
	90MM	476218-90MM	—					
	3-7/16	476218-307	476218-307VSB					
	3-1/2	476218-308	—					
222	100MM	476220-100MM	476220-100MMVSB	94,420	134,890	1,040	1,200	1,200
	3-15/16	476220-315	476220-315VSB					
	4	476220-400	—					
226	4-1/2	—	476222-408VSB	128,140	185,470	900	1,020	1,020
	125MM	—	476226-125MMVSB					
	4-15/16	—	476226-415VSB					
	5	—	476226-500VSB					

Notes: Higher speeds are typically with lighter loads. High speed is often the cause of higher temperatures in bearings. Poor lubrication is also a cause of elevated temperatures. For questions and application support consult PTI.

### Temperature / Lubrication

Bearings that operate at higher temperatures may also experience a reduced life. There are no specific simple formulas to predict this, but a good understanding and experience of the application will help maximize bearing life. A good quality Lithium Grease is normally recommended for general purpose applications and temperatures. For application in higher or lower temp environments, please consult PTI or a lubrication supplier. When re-lubricating, small amounts of grease at frequent intervals is more desirable than a large quantity infrequently. Re-lube while the bearing is rotating if possible. The normal operating bearing temperatures for these bearings are 10°F to 200°F in a clean environment. The housing surface will normally be 10-15 degrees cooler than the rolling elements. Higher or lower operating temperatures will require the use of a special

lube. Higher ambient temperatures require lube with special features and the bearing races should also be specially heat treated or "normalized" to improve their resistance to warping. Also, special seals, internal clearance and frequent lubrication (possibly daily) may be necessary. A bearing required to operate above 250°F will need to be de-rated in capacity. Load de-rated factors can be provided for elevated temperatures. Special seals, lubricant, internal clearances can also be provided.

### Minimum Loads

Spherical Roller Bearings must always be operating under a minimum load. This keeps rollers positioned and eliminates roller skewing or skidding. Minimum loads should be at least 2% of the dynamic load rating. Generally the weight of shaft and drive equipment meet this requirement.

# SRE & SR2200 Spherical Roller Bearings

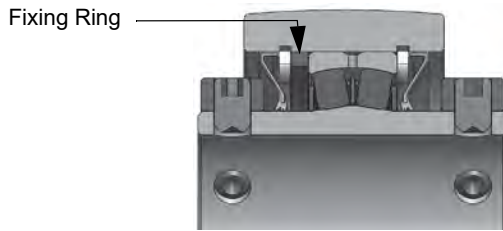


## Expansion & Non-Expansion Bearings

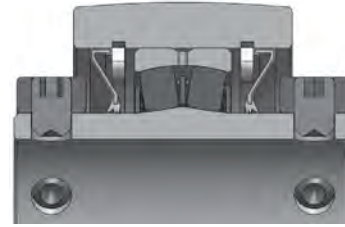
Expansion capability within a bearing indicates the ability to accommodate anticipated shaft length changes due to changing ambient temperatures that cause steel mounting structures or shafts to expand or contract. This change in shaft length or movement of the mounting frame can easily be accommodated within the Expansion Bearing. It is typical in these larger Units that one bearing is a Non-Expansion Bearing and the other an Expansion Bearing. The Non-Expansion Bearing should be installed first and generally next to the drive equipment. The Non-Expansion Bearing acts as an anchor, while the Expansion Bearing accommodates the changing shaft length. If two Non-Expansion Bearings are used on the

same shaft, any temperature changes may cause a shaft length change and impose an unwanted thrust load on the bearing resulting in higher bearing loads and shortened life. The bearing insert within the Expansion Bearing can float axially (by hand force) within the housing. When installing the bearing, center the insert within the housing (by pushing it back and forth to the center point) and tighten the set screws per the recommended levels in Chart 3 below. This will ensure the bearing can accommodate the anticipated shaft expansion or contraction. Tighten hold down bolts per Chart 4.

The schematic representation below shows the location of the fixing ring and the difference between Expansion and Non-Expansion Bearings



Non-Expansion Bearing



Expansion Bearing (less fixing ring)

## Shaft Tolerances

Normal shafting tolerances are typically nominal to minus 0.0005" per inch of shaft diameter. Undersized shafts will result in fretting (slight working) of the bearing on the shaft.

A close fit of the bearing to the shaft will result in an improved bearing performance.

## Set Screw Torque & Axial Loads on Set Screws

Chart 3

Shaft Size (in) / (mm)	Housing Size	Set Screw	Torque	Allowable Axial Load
		No. & Size	in-lbs	lbs
1-7/16, 1-1/2 30mm, 35mm	208	(2) 3/8-24	250	515
1-1/2, 1-11/16, 1-3/4 40mm, 45mm	209	(2) 3/8-24	250	515
1-15/16, 2 50mm	210	(2) 3/8-24	250	515
2-3/16 55mm	211	(2) 3/8-24	250	515
2-7/16, 2-1/2 60mm	213	(2) 1/2-20	620	900
2-11/16, 2-3/4, 2-15/16, 3 65mm, 70mm, 75mm	215	(2) 1/2-20	620	900
3-7/16, 3-1/2 80mm, 85mm, 90mm	218	(2) 1/2-20	620	900
3-15/16, 4 100mm	220	(2) 5/8-18	1325	1200
4-7/16, 4-1/2 110mm	222	(2) 5/8-18	1325	1200
4-15/16, 5 125mm	226	(2) 5/8-18	1325	1200

Contact PTI for additional details or requests.

## Hold Down Bolts\*

Chart 4

Size (in)	Grade 2	Grade 5
	ft-lbs	ft-lbs
1/2	50	75
5/8	100	150
3/4	175	260
7/8	180	430

\*Use a flat washer under bolts.

Torque listed for Dry (un-lubricated) Bolts.



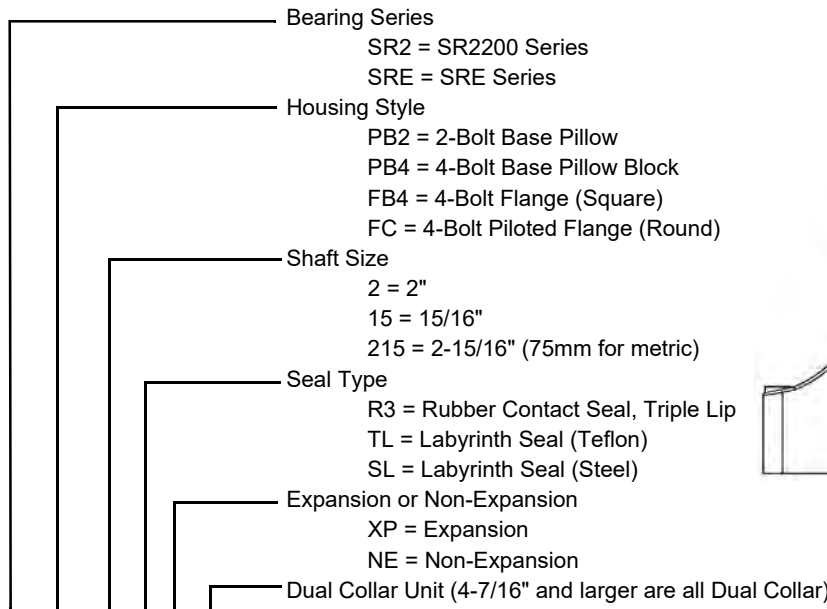
## Custom Units

SRE & SR2200 Units can be modified to include Thermal or Vibration Sensors. All have optional seals & end covers.

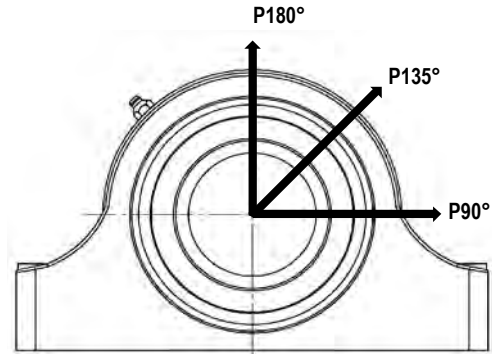
# SRE & SR2200 Spherical Roller Bearings



## Nomenclature: Example SRE-PB2-215R3XP-DC



## Cap Load Direction



SRE-PB2-215R3XP-DC

## Allowable Cap Loads for Pillow Blocks

An application load directed through the base of the pillow block is the recommended direction for loads. However, when loads are directed through the cap, use the following Allowable Cap Loads (Safe Loads) listed below. Use grade 8 bolts, properly tightened, with chalk blocks next to the housing to restrict side or end movement of the housing. Allowable Cap Loads represent a

nominal safety factor of 6 according to general engineering practice (approximately 17% of the breaking load). Some thrust loads may be allowed on Spherical Roller Bearings as long as the thrust ratings are below 25% of the radial load. Shaft Collars next to the Inner Ring are recommended when thrust loads are present. Consult PTI for additional information.

### 2-Bolt Base SRE Housing Rating - Ductile Iron (Lbs)

Shaft Size (in) (mm)	Housing	P90°	P135°	P180°
1-7/16, 2, 30mm, 35mm	208	8,060	4,160	5,070
1-1/2, 1-11/16, 40mm, 45mm	209	10,140	5,720	6,760
1-3/4, 1-15/16, 2, 50mm	210	11,700	6,760	8,320
2-3/16, 55mm	211	13,520	8,060	9,620
2-7/16, 2-1/2, 60mm	213	15,080	9,100	10,790
2-11/16, 2-3/4, 2-15/16, 3 65mm, 70mm, 75mm	215	16,900	10,660	13,000
3-7/16, 3-1/2 80mm, 85mm, 90mm	218	18,980	11,960	14,690

### 2-Bolt Base SR2 Housing Rating - Ductile Iron (Lbs)

Shaft Size (in) (mm)	Housing	P90°	P135°	P180°
1-1/2, 1-7/16, 30mm, 35mm	208	8,060	4,160	5,070
1-11/16, 1-3/4, 40mm, 45mm	209	10,140	5,720	6,760
1-15/16, 2, 50mm	210	11,700	6,760	8,320
2-3/16, 55mm	211	13,520	8,060	9,620
2-7/16, 2-1/2, 60mm	213	15,080	9,100	10,790
2-11/16, 2-3/4, 2-15/16, 3 65mm, 70mm, 75mm	215	16,900	10,660	13,000
3-7/16, 3-1/2 80mm, 85mm, 90mm	218	18,980	11,960	14,690
3-15/16, 4, 100mm	220	20,800	13,000	16,120

### 4-Bolt Base SRE Housing Rating - Ductile Iron (Lbs)

Shaft Size (in) (mm)	Housing	P90°	P135°	P180°
2-7/16, 2-1/2, 60mm	213	22,360	11,440	12,350
2-11/16, 2-3/4, 2-15/16, 3 65mm, 70mm, 75mm	215	27,040	14,300	15,600
3-7/16, 3-1/2 80mm, 85mm, 90mm	218	30,680	17,680	18,720
3-15/16, 4, 100mm	220	34,840	21,060	21,580
4-7/16, 4-1/2, 110mm	222	38,480	24,180	24,960
4-15/16, 5, 125mm	226	42,640	26,780	27,560

### 4-Bolt Base SR2 Housing Rating - Ductile Iron (Lbs)



Shaft Size (in)	Housing	P90°	P135°	P180°
2-7/16, 2-1/2, 60mm	213	22,360	11,440	12,350
2-11/16, 2-3/4, 2-15/16, 3 65mm, 70mm, 75mm	215	27,040	14,300	15,600
3-7/16, 3-1/2 80mm, 85mm, 90mm	218	30,680	17,680	18,720
3-15/16, 4, 100mm	220	34,840	21,060	21,580
4-7/16, 4-1/2, 110mm	222	38,480	24,180	24,960
4-15/16, 5, 125mm	226	42,640	26,780	27,560

# SRE & SR2200 Spherical Roller Bearing



## Interchange Guide

### SR2200 Series (Spherical)

Unit										
<b>Housing Style</b>	2-Bolt Pillow Block	2-Bolt Pillow Block	4-Bolt Pillow Block	4-Bolt Pillow Block	4-Bolt Square Flange	4-Bolt Square Flange	Piloted Flange	Piloted Flange	Wide Slot Take-Up	Wide Slot Take-Up
<b>Non-Exp or Expansion</b>	Non-Exp	Expansion	Non-Exp	Expansion	Non-Exp	Expansion	Non-Exp	Expansion	Non-Exp	Expansion
<b>PTI</b>	SR2PB2.NE	SR2-PB2-XP	SR2-PB4..NE	SR2-PB4...XP	SR2-FB4..NE	SR2-FB4..XP	SR2-FC..NE	SR2-FC...XP	SR2-WSTU..NE	SR2-WSTU...XP
<b>FYH</b>	XS2P	XS2P..F	XS4P	XS4P..F	XS4F	XS4F..F	XS4FC	XS4FC..F	XST	XST..F
<b>Hub City Moduline</b>	KPB	KPB..EXP	KPBF	KPBF..EXP	KFB	KFB..EXP	N/A	N/A	N/A	N/A
<b>Jones</b>	JA2000 NXP	JA2000 EXP	N/A	N/A	JYR2000 NXP*	JYR2000 EXP*	JYRP2000 NXP	JYRP2000 EXP	JT2000 JT5000	N/A
<b>Link-Belt</b>	PB22400H	PEB22500H	PB22400FH PB22500FH	PEB22400FH PEB22500FH	FB22400H^	FEB22400H^	FCB22400H	N/A	TB22400H	N/A
<b>Moline M2000</b>	19221	19121	19241	19141	19211	19111	19231	19131	19251	19151
<b>REX</b>	ZA2000	ZAS2000	ZA2000F ZA5000F	ZAS200F ZAS500F	ZB2000^	ZBS2000^	ZBR2000	N/A	ZT2000 ZT5000	N/A
<b>Sealmaster</b>	USRB 5000	USRB 5000E	USRBF 5000	USRBF 5000E	USFB 5000	USFB 5000E	USFC 5000	USFC 5000E	USTU 5000	USTU 5000E
<b>SKF</b>	SYR-H	SYR	N/A	N/A	FYR-H*	FYR*	FYRP-H	FYRP	TBR-H	TBR
<b>Timken (QM)</b>	QAPL..SM QAAPL..SM	QAPL..SM QAAPL..SEM	QAPF..SM QAAPF..SM	QAPF..SEM QAAPF..SEM	QAFL..SM QAAPL..SM	QAFL..SEM QAAPL..SEM	QACW..SM QAACW..SM	QACW..SEM QAACW..SEM	QATU..SM QAATU..SM	QATU..SEM QAATU..SEM

Notes: **JONES**, **SKF** - \*Round Flange. **LINK-BELT** - 2000 = Single Collar, 5000 = Double Collar, ^ For 3" shaft and below. **REX** - 2000 = Single Collar, 5000 = Double Collar, ZB series uses round flanges. **TIMKEN (QM)** - QA = Single Collar, QAA = Double Collar.

# SRE & SR2200 Spherical Roller Bearing



## Interchange Guide

### SR2200 Series (Spherical)

Housing Style	Expansion or Non-Expansion	PTI	FYH	Hub City Moduline	Jones	Link-Belt	Moline M2000	REX	Sealmaster	SKF	Timken (QM)
2-Bolt Pillow Block	Non-Expansion	SR2-PB2...NE	XS2P	KPB	JA2000 NXP	PB22400H	19221	ZA2000	USRB5000	SYR-H	QAPL...SM, QAAPL...SM
2-Bolt Pillow Block	Expansion	SR2-PB2...XP	XS2P...F	KPB...EXP	JA2000 EXP	PEB22400H	19121	ZAS2000	USRB5000E	SYR	QAPL...SEM, QAAPL...SEM
4-Bolt Pillow Block	Non-Expansion	SR2-PB4...NE	XS4P	KPBF	N/A	PB22400FH, PB22500FH	19241	ZA2000F, ZA5000F	USRBF5000	N/A	QAPF...SM, QAAPF...SM
4-Bolt Pillow Block	Expansion	SR2-PB4...XP	XS4P...F	KPBF...EXP	N/A	PEB22400FH, PEB22500FH	19141	ZAS2000F, ZAS5000F	USRBF5000E	N/A	QAPF...SEM, QAAPF...SEM
4-Bolt Square Flange	Non-Expansion	SR2-FB4...NE	XS4F	KFB	JYR2000 NXP*	FB22400H^	19211	ZB2000^	USFB5000	FYR-H*	QAFL...SM, QAAPL...SM
4-Bolt Square Flange	Expansion	SR2-FB4...XP	XS4F...F	KFB...EXP	JYR2000 EXP*	FEB22400H^	19111	ZBS2000^	USFB5000E	FYR*	QAFL...SEM, QAAPL...SEM
Piloted Flange	Non-Expansion	SR2-FC...NE	XS4FC	N/A	JYRP2000 NXP	FCB22400H	19231	ZBR2000	USFC5000	FYRP-H	QACW...SM, QAACW...SM
Piloted Flange	Expansion	SR2-FC...XP	XS4FC...F	N/A	JYRP2000 EXP	N/A	19131	N/A	USFC5000E	FYRP	QACW...SEM, QAACW...SEM
Wide Slot Take-Up	Non-Expansion	SR2-WSTU...NE	XST	N/A	JT2000, JT5000	TB22400H	19251	ZT2000, ZT5000	USTU5000	TBR-H	QATU...SM, QAATU...SM
Wide Slot Take-Up	Expansion	SR2-WSTU...XP	XST...F	N/A	N/A	N/A	19151	N/A	USTU5000E	TBR	QATU...SEM, QAATU...SEM

Notes \* Round Flange, ^ For 3" shaft and below, 2000 = Single Collar, 2000 = Single Collar, QA = Single Collar  
 REX ZB series uses round flanges 5000 = Double Collar 5000 = Double Collar QAA = Double Collar

### SRE Series (Spherical Type E)

Housing Style	Expansion or Non-Expansion	PTI	FYH	Hub City Moduline	Jones	Link-Belt	Moline M2000	REX	Sealmaster	SKF	Timken (QM)
2-Bolt Pillow Block	Non-Expansion	SRE-PB2...NE	XSE2P	KPBE	JE2000 NXP	EPB22400H	29221	ZEP2000, ZEP5000	USRB5000E	SYE-H	QAP...SM, QAAP...SM
2-Bolt Pillow Block	Expansion	SRE-PB2...XP	XSE2P...F	KPBE...EXP	JE2000 EXP	EPEB22400H	29121	ZEPS2000, ZEPS5000	USRB5000E	SYE	QAP...SEM, QAAP...SEM
4-Bolt Pillow Block	Non-Expansion	SRE-PB4...NE	XSE4P	KPBEF	JE2000F, JE5000 NXP	EPB22400FH, EPB22500FH	N/A	ZEP2000F, ZEP5000F	USRBF5000E	N/A	QAPR...SM, QAAPR...SM
4-Bolt Pillow Block	Expansion	SRE-PB4...XP	XSE4P...F	KPBEF...EXP	JE2000F, JE5000 EXP	EPEB22400FH, EPEB22500FH	N/A	ZEPS2000F, ZEPS5000F	USRBF5000E	N/A	QAPR...SEM, QAAPR...SEM

### SRE Series (Tapered Type E)

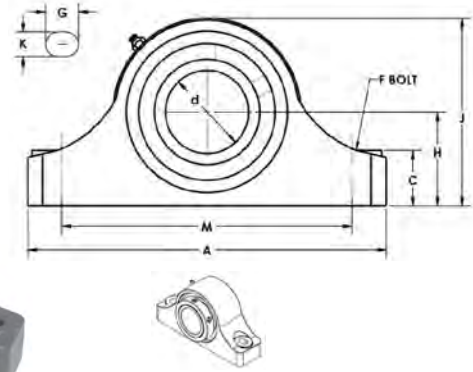
Housing Style	Expansion or Non-Expansion	PTI	Moline	Royersford	Timken	Sealmaster RPB	Hub City Type E
2-Bolt Pillow Block	Non-Expansion	SRE-PB2...NE	19321...	20-02	E-P2B-TRB	RPB...2	EPB2
2-Bolt Pillow Block	Expansion	SRE-PB2...XP	N/A	N/A	N/A	ERP...2	N/A
4-Bolt Pillow Block	Non-Expansion	SRE-PB4...NE	19341...	20-04	E-P4B-TRB	RPB...4	EPB4
4-Bolt Pillow Block	Expansion	SRE-PB4...XP	N/A	N/A	N/A	ERP...4	N/A

# SRE Spherical Roller Bearings



## SRE-PB2 Series - Pillow Blocks

- 2-Bolt Solid Base
- Single & Dual Locking Collars
- Inch & Metric Bores
- Ductile Iron Housing
- Interchanges with Tapered E-Series Dimensions
- Expansion & Non-Expansion Units
- Self-Aligning (+/- 1-1/2°)
- R3 Triple Lip Contact Seals
- Teflon Seals & End Cover Options



Models Available

Housing Size	Shaft Size d	Single Locking Collar			Dual Locking Collar**			Basic Dynamic Load Rating C (Lbs)*	Basic Static Load Rating Co (Lbs)*	Max Speed (RPM) Triple Lip Grease	Max Speed (RPM) Teflon Labyrinth	Max Speed (RPM) Metal Labyrinth
		Part No. Expansion	Part No. Non-Expansion	Wt. Lb	Part No. Expansion	Part No. Non-Expansion	Wt. Lb					
208	30mm	SRE-PB2-30MMR3XP	SRE-PB2-30MMR3NE	8	—	—	—	17,540	20,230	2750	3600	3600
	35mm	SRE-PB2-35MMR3XP	SRE-PB2-35MMR3NE	8	—	—	—					
	1-7/16	SRE-PB2-107R3XP	SRE-PB2-107R3NE	8	SRE-PB2-107R3XP-DC	SRE-PB2-107R3NE-DC	9					
209	40mm	SRE-PB2-40MMR3XP	SRE-PB2-40MMR3NE	9.5	—	—	—	17,980	21,360	2425	3360	3360
	45mm	SRE-PB2-45MMR3XP	SRE-PB2-200R3NE	9.5	—	—	—					
	1-1/2	SRE-PB2-108R3XP	SRE-PB2-108R3NE	9.5	—	—	—					
	1-11/16	SRE-PB2-111R3XP	SRE-PB2-111R3NE	9.5	—	—	—					
210	50MM	SRE-PB2-50MMR3XP	SRE-PB2-50MMR3NE	12	—	—	—	20,230	24,730	2225	3180	3180
	1-3/4	SRE-PB2-112R3XP	SRE-PB2-112R3NE	12	—	—	—					
	1-15/16	SRE-PB2-115R3XP	SRE-PB2-115R3NE	12	SRE-PB2-115R3XP-DC	SRE-PB2-115R3NE-DC	14					
	2	SRE-PB2-200R3XP	SRE-PB2-200R3NE	12	—	—	—					
211	55mm	SRE-PB2-55MMR3XP	SRE-PB2-55MMR3NE	16	—	—	—	23,600	28,100	2000	2800	2800
	2-3/16	SRE-PB2-203R3XP	SRE-PB2-203R3NE	16	—	—	—					
	60mm	SRE-PB2-60MMR3XP	SRE-PB2-60MMR3NE	20	—	—	—					
213	2-7/16	SRE-PB2-207R3XP	SRE-PB2-207R3NE	20	SRE-PB2-207R3XP-DC	SRE-PB2-207R3NE-DC	22	37,090	46,090	1700	2300	2300
	2-1/2	SRE-PB2-208R3XP	SRE-PB2-208R3NE	20	—	—	—					
	65mm	SRE-PB2-65MMR3XP	SRE-PB2-65MMR3NE	28	—	—	—					
215	70mm	SRE-PB2-70MMR3XP	SRE-PB2-70MMR3NE	28	—	—	—	41,590	52,830	1500	2150	2150
	75mm	SRE-PB2-75MMR3XP	SRE-PB2-75MMR3NE	28	—	—	—					
	2-11/16	SRE-PB2-211R3XP	SRE-PB2-211R3NE	28	—	—	—					
	2-3/4	SRE-PB2-212R3XP	SRE-PB2-212R3NE	28	—	—	—					
	2-15/16	SRE-PB2-215R3XP	SRE-PB2-215R3NE	27	SRE-PB2-215R3XP-DC	SRE-PB2-215R3NE-DC	28					
218	80mm	SRE-PB2-80MMR3XP	SRE-PB2-80MMR3NE	45	—	—	—	62,950	83,180	1250	1600	1600
	85mm	SRE-PB2-85MMR3XP	SRE-PB2-85MMR3NE	45	SRE-PB2-85MMR3XP-DC	SRE-PB2-85MMR3NE-DC	48					
	90mm	SRE-PB2-90MMR3XP	SRE-PB2-90MMR3NE	45	—	—	—					
	3-7/16	SRE-PB2-307R3XP	SRE-PB2-307R3NE	45	SRE-PB2-307R3XP-DC	SRE-PB2-307R3NE-DC	48					
	3-1/2	SRE-PB2-308R3XP	SRE-PB2-308R3NE	45	—	—	—					

Note: \* For load ratings in Newtons, multiply Lbs by 4.44. \*\* Dual locking collar units other than those listed are available from production. Contact PTI.

### Optional Teflon Seals & End Covers 208-213 Sizes (215-218 continued on next page)

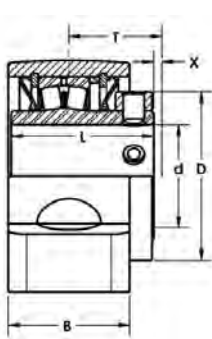
Housing Size	Shaft Size d	Single Collar Units with Teflon Seals		Dual Collar Units with Teflon Seals		Open End Cover Components		Closed End Cover Part No.	Dimensions (mm)/(in)		
		Part No. Expansion	Part No. Non-Expansion	Part No. Expansion	Part No. Non-Expansion	Open End Cover Part No.	Wiper Seal Part No.		D1	T1	T2
208	30mm	SRE-PB2-30MMTLXP	SRE-PB2-30MMTLNE	—	—	SRBOEC208-30MM	—	SRBCEC208	76	24	34
	35mm	SRE-PB2-35MMTLXP	SRE-PB2-35MMTLNE	—	—	SRBOEC208-35MM	—		3.0	0.9	1.3
	1-7/16	SRE-PB2-107TLXP	SRE-PB2-107TLNE	SRE-PB2-107TLXP-DC	SRE-PB2-107TLNE-DC	SRBOEC208-23	LERDC17		—	—	—
209	40mm	SRE-PB2-40MMTLXP	SRE-PB2-40MMTLNE	—	—	SRBOEC209-40MM	—	SRBCEC209	86	28	38
	45mm	SRE-PB2-45MMTLXP	SRE-PB2-45MMTLNE	—	—	SRBOEC209-45MM	—		3.4	1.1	1.5
	1-1/2	SRE-PB2-108TLXP	SRE-PB2-108TLNE	—	—	SRBOEC208-24	—		—	—	—
	1-11/16	SRE-PB2-111TLXP	SRE-PB2-111TLNE	—	—	SRBOEC209-27	LERDC20		—	—	—
210	50mm	SRE-PB2-50MMTLXP	SRE-PB2-50MMTLNE	—	—	SRBOEC210-50MM	—	SRBCEC210	91	24	34
	1-3/4	SRE-PB2-112TLXP	SRE-PB2-112TLNE	—	—	SRBOEC210-28	—		3.6	0.9	1.3
	1-15/16	SRE-PB2-115TLXP	SRE-PB2-115TLNE	SRE-PB2-115TLXP-DC	SRE-PB2-115TLNE-DC	SRBOE210-31	LERDC24		—	—	—
	2	SRE-PB2-200TLXP	SRE-PB2-200TLNE	—	—	SRBOEC210-32	—		—	—	—
211	55mm	SRE-PB2-55MMTLXP	SRE-PB2-55MMTLNE	—	—	SRBOEC211-55MM	—	SRBCEC211	102	28	38
	2-3/16	SRE-PB2-203TLXP	SRE-PB2-203TLNE	—	—	SRBOEC211-35	LERDC29		4.0	1.1	1.5
	60mm	SRE-PB2-60MMTLXP	SRE-PB2-60MMTLNE	—	—	SRBOEC213-60MM	—		122	28	41
213	2-7/16	SRE-PB2-207TLXP	SRE-PB2-207TLNE	SRE-PB2-207TLXP-DC	SRE-PB2-207TLNE-DC	SRBOEC213-39	—	SRBCEC213	4.8	1.1	1.6
	2-1/2	SRE-PB2-208TLXP	SRE-PB2-208TLNE	—	—	SRBOEC213-40	LERDC37		—	—	—

Note: Open End Covers include the steel cover and internal double lip shaft seal. The Wiper Seal is optional and may be ordered separately.

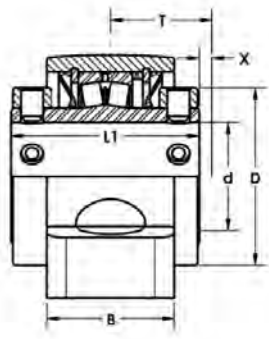
# SRE Spherical Roller Bearings



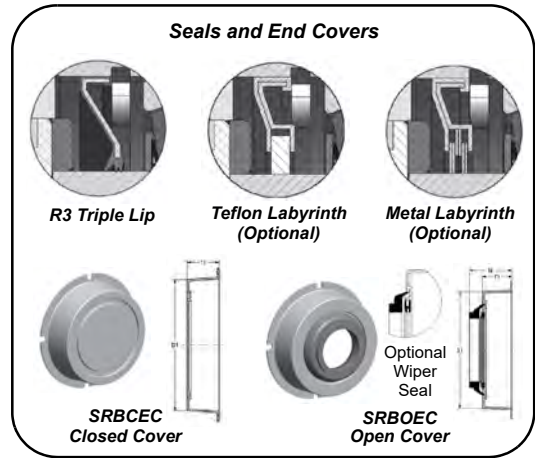
## SRE-PB2 Series - Pillow Blocks



Single Locking Collar



Dual Locking Collar



Housing Size	Shaft Size d	Dimensions (mm) / (in)														
		A	B	C	D	F Bolt	G	H	J	K	L	L1	M Min	M Max	T	X Expansion
208	30mm	187	54	29	60	M12	20.6	47.6	95.3	14.3	69.9	88.90	140	152	47	4mm
	35mm 1-7/16	7.4	2.1	1.1	2.4	1/2	0.81	1.875	3.75	0.56	2.75	3.50	5.50	6.00	1.83	0.16
209	40mm	200	60	32	67	M12	20.6	54.0	108.0	14.3	73.0	96.80	152	165	51	6mm
	45mm 1-1/2 1-11/16	7.9	2.4	1.3	2.6	1/2	0.81	2.125	4.25	0.56	2.88	3.81	6.00	6.50	2.00	0.24
210	50mm	225	64	33	73	M16	23.8	57.2	114.3	17.5	73.0	95.30	171	184	51	6mm
	1-3/4 1-15/16 2	8.9	2.5	1.3	2.9	5/8	0.94	2.250	4.50	0.69	2.88	3.75	6.75	7.25	2.00	0.24
211	55mm	224	67	38	83	M16	23.8	63.50	127.0	17.5	79.5	101.6	191	203	54	6mm
	2-3/16	8.82	2.6	1.5	3.3	5/8	0.94	2.500	5.00	0.69	3.13	4.00	7.50	8.00	2.13	0.24
213	60mm	267	73	41	102	M16	23.8	69.85	139.7	17.5	85.7	108.00	210	222	57	6mm
	2-7/16 2-1/2	10.5	2.9	1.6	4.0	5/8	0.94	2.750	5.50	0.69	3.38	4.25	8.25	8.75	2.25	0.24
215	65mm	305	76	48	114	M20	27.0	79.4	159	20.6	92.2	120.70	235	248	64	6mm
	70mm 75mm 2-11/16 2-3/4 2-15/16 3	12.000	3.000	1.875	4.500	3/4	1.063	3.125	6.250	0.813	3.625	4.75	9.250	9.750	2.500	0.24
218	80mm	356	92	57	130	M20	31.8	95.25	191	23.8	102	131.70	271	287	69	6mm
	85mm 90mm 3-7/16 3-1/2	14.000	3.625	2.250	5.130	7/8	1.250	3.750	7.500	0.938	4.031	5.19	10.688	11.313	2.717	0.24

### Optional Teflon Seals & End Covers 215-218 Sizes (208-213 on previous page)

Housing Size	Shaft Size d	Single Collar Units with Teflon Seals		Dual Collar Units with Teflon Seals		Open End Cover Components		Closed End Cover Part No.	Dimensions (mm)/(in)		
		Part No. Expansion	Part No. Non-Expansion	Part No. Expansion	Part No. Non-Expansion	Open End Cover Part No.	Wiper Seal Part No.		D1	T1	T2
215	65mm	SRE-PB2-65MMLXP	SRE-PB2-65MMLNE	—	—	SRBOEC215-65MM	—	SRBCEC215	132.1	32.5	47.2
	70mm	SRE-PB2-70MMLXP	SRE-PB2-70MMLNE	—	—	SRBOEC215-70MM	LER44DC		5.2	1.28	1.86
	75mm	SRE-PB2-75MMLXP	SRE-PB2-75MMLNE	—	—	SRBOEC215-75MM	LER53DC				
	2-11/16	SRE-PB2-211TLXP	SRE-PB2-211TLNE	—	—	SRBOEC215-43	LER44DC				
	2-3/4	SRE-PB2-212TLXP	SRE-PB2-212TLNE	—	—	SRBOEC215-44	LER44DC				
218	2-15/16	SRE-PB2-215TLXP	SRE-PB2-215TLNE	SRE-PB2-215TLXP-DC	SRE-PB2-215TLNE-DC	SRBOEC215-47	LER53DC	SRBCEC218	160	32.5	45.5
	3	SRE-PB2-300TLXP	SRE-PB2-300TLNE	—	—	SRBOEC215-48	LER53DC				
	80mm	SRE-PB2-80MMLXP	SRE-PB2-80MMLNE	—	—	SRBOEC218-80MM	—				
	85mm	SRE-PB2-85MMLXP	SRE-PB2-85MMLNE	SRE-PB2-85MMLXP-DC	SRE-PB2-85MMLNE-DC	SRBOEC218-85MM	LER102DC				
218	90mm	SRE-PB2-90MMLXP	SRE-PB2-90MMLNE	—	—	SRBOEC218-90MM	LER102DC	6.3	1.28	1.79	
	3-7/16	SRE-PB2-307TLXP	SRE-PB2-307TLNE	SRE-PB2-307TLXP-DC	SRE-PB2-307TLNE-DC	SRBOEC218-55	LER102DC				
218	3-1/2	SRE-PB2-308TLXP	SRE-PB2-208TLNE	—	—	SRBOEC218-56	LER102DC				

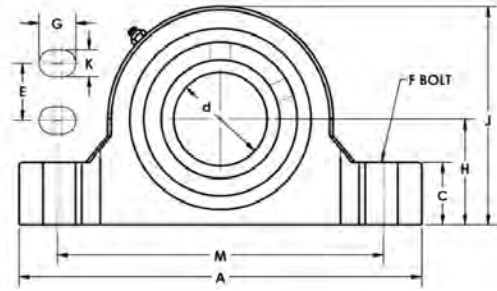
Note: Open End Covers include the steel cover and internal double lip shaft seal. The Wiper Seal is optional and may be ordered separately.

# SRE Spherical Roller Bearings



## SRE-PB4 Series - Pillow Blocks

- 4-Bolt Solid Base
- Single & Dual Locking Collars
- Inch & Metric Bores
- Ductile Iron Housing
- Interchanges with Tapered E-Series Dimensions
- Expansion & Non-Expansion Units
- Self-Aligning (+/- 1-1/2°)
- R3 Triple Lip Contact Seals
- Teflon Seals & End Cover Options



Models Available

Housing Size	Shaft Size d	Single Locking Collar			Dual Locking Collar**			Basic Dynamic Load Rating C (Lbs)*	Basic Static Load Rating Co (Lbs)*	Max Speed (RPM) Triple Lip Grease	Max Speed (RPM) Teflon Labyrinth	Max Speed (RPM) Metal Labyrinth
		Part No. Expansion	Part No. Non-Expansion	Wt. Lb	Part No. Expansion	Part No. Non-Expansion	Wt. Lb					
215	70mm	SRE-PB4-70MMR3XP	SRE-PB4-70MMR3NE	28	—	—	—	41,590	52,830	1500	2150	2150
	75mm	SRE-PB4-75MMR3XP	SRE-PB4-75MMR3NE	28	SRE-PB4-75MMR3XP-DC	SRE-PB4-75MMR3NE-DC	29					
	2-11/16	SRE-PB4-211R3XP	SRE-PB4-211R3NE	28	—	—	—					
	2-4/3	SRE-PB4-212R3XP	SRE-PB4-212R3NE	28	—	—	—					
	2-15/16	SRE-PB4-215R3XP	SRE-PB4-215R3NE	27	SRE-PB4-215R3XP-DC	SRE-PB4-215R3NE-DC	29					
3	SRE-PB4-300R3XP	SRE-PB4-300R3NE	27	—	—	—	—					
218	80mm	SRE-PB4-80MMR3XP	SRE-PB4-80MMR3NE	44	—	—	—	62,950	83,180	1250	1600	1600
	85mm	SRE-PB4-85MMR3XP	SRE-PB4-85MMR3NE	44	SRE-PB4-85MMR3XP-DC	SRE-PB4-85MMR3NE-DC	47					
	90mm	SRE-PB4-90MMR3XP	SRE-PB4-90MMR3NE	44	—	—	—					
	3-7/16	SRE-PB4-307R3XP	SRE-PB4-307R3NE	44	SRE-PB4-307R3XP-DC	SRE-PB4-307R3NE-DC	47					
	3-1/2	SRE-PB4-308R3XP	SRE-PB4-308R3NE	44	—	—	—					
220	100mm	SRE-PB4-100RMM3XP	SRE-PB4-100MMR3NE	55	—	—	—	84,300	112,400	1100	1350	1350
	3-15/16	SRE-PB4-315R3XP	SRE-PB4-315R3NE	55	SRE-PB4-315R3XP-DC	SRE-PB4-315R3NE-DC	57					
	4	SRE-PB4-400R3XP	SRE-PB4-400R3NE	55	—	—	—					
222	110mm	—	—	—	SRE-PB4-110MMR3XP	SRE-PB4-110MMR3NE	80	94,420	134,890	1040	1200	1200
	4-7/16	—	—	—	SRE-PB4-407R3XP	SRE-PB4-407R3NE	80					
	4-1/2	—	—	—	SRE-PB4-408R3XP	SRE-PB4-408R3NE	80					
226	125mm	—	—	—	SRE-PB4-125MMR3XP	SRE-PB4-125MMR3NE	120	128,140	185,470	900	1020	1020
	4-15/16	—	—	—	SRE-PB4-415R3XP	SRE-PB4-415R3NE	120					
	5	—	—	—	SRE-PB4-500R3XP	SRE-PB4-500R3NE	120					

Note: \* For load ratings in Newtons, multiply Lbs by 4.44.\*\* Dual locking collar units other than those listed are available from production. Contact PTI.

### Optional Teflon Seals & End Covers 215-218 Sizes (220-226 continued on next page)

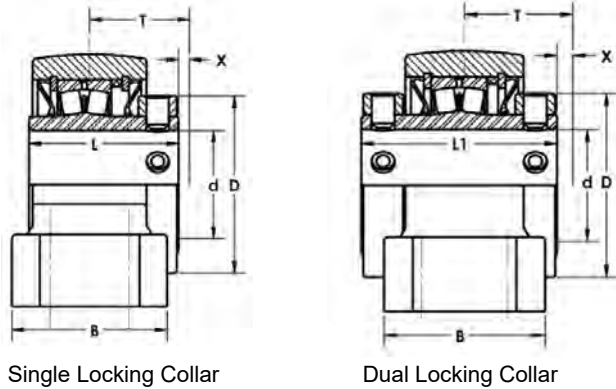
Housing Size	Shaft Size d	Single Collar Units with Teflon Seals		Dual Collar Units with Teflon Seals		Open End Cover Components		Closed End Cover Part No.	Dimensions (mm)/(in)		
		Part No. Expansion	Part No. Non-Expansion	Part No. Expansion	Part No. Non-Expansion	Open End Cover Part No.	Wiper Seal Part No.		D1	T1	T2
215	65mm	SRE-PB4-65MRTLXP	SRE-PB4-65MRTLNE	—	—	SRBOEC215-65mm	—	SRBCEC215	5.2	1.28	1.86
	70mm	SRE-PB4-70MRTLXP	SRE-PB4-70MRTLNE	—	—	SRBOEC215-70mm	LER44DC				
	75mm	SRE-PB4-75MRTLXP	SRE-PB4-75MRTLNE	—	—	SRBOEC215-75mm	LER53DC				
	2-11/16	SRE-PB4-211TLXP	SRE-PB4-211TLNE	—	—	SRBOEC215-43	LER44DC				
	2-3/4	SRE-PB4-212TLXP	SRE-PB4-212TLNE	—	—	SRBOEC215-44	LER44DC				
218	2-15/16	SRE-PB4-215TLXP	SRE-PB4-215TLNE	SRE-PB4-215TLXP-DC	SRE-PB4-215TLNE-DC	SRBOEC215-47	LER53DC	SRBCEC218	6.3	1.28	1.79
	3	SRE-PB4-300TLXP	SRE-PB4-300TLNE	—	—	SRBOEC215-48	LER53DC				
	80mm	SRE-PB4-80MRTLXP	SRE-PB4-80MRTLNE	—	—	SRBOEC218-80mm	—				
218	85mm	SRE-PB4-85MRTLXP	SRE-PB4-85MRTLNE	SRE-PB4-85MRTLXP-DC	SRE-PB4-85MRTLNE-DC	SRBOEC218-85mm	LER102DC	SRBCEC218	6.3	1.28	1.79
	90mm	SRE-PB4-90MRTLXP	SRE-PB4-90MRTLNE	—	—	SRBOEC218-90mm	LER102DC				
	3-7/16	SRE-PB4-307TLXP	SRE-PB4-307TLNE	SRE-PB4-307TLXP-DC	SRE-PB4-307TLNE-DC	SRBOEC218-55	LER102DC				
	3-1/2	SRE-PB4-308TLXP	SRE-PB4-308TLNE	—	—	SRBOEC218-56	LER102DC				

Note: Open End Covers include the steel cover and internal double lip shaft seal. The Wiper Seal is optional and may be ordered separately.



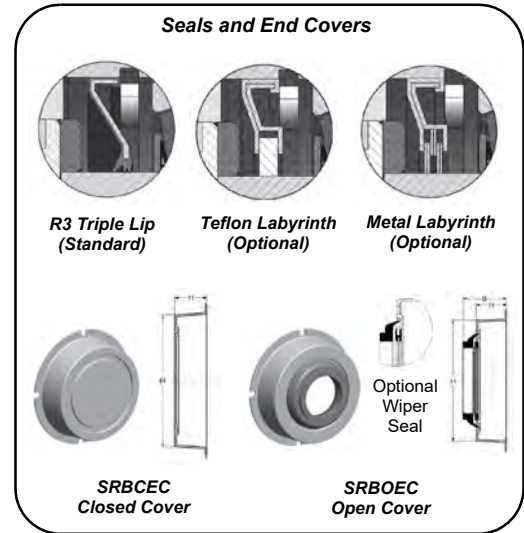
# SRE Spherical Roller Bearings

## SRE-PB4 Series - Pillow Blocks



Single Locking Collar

Dual Locking Collar



Housing Size	Shaft Size d	Dimensions (mm) / (in)															
		A	B	C	D	E	F Bolt	G	H	J	K	L	L1	M Min	M Max	T	X Expansion
215	70mm 75mm	305	102	47.8	114.3	54.1	M16	28.7	79.38	160	21	92.1	12.6	233	249	63.3	6mm
	2-11/16 2-4/3 2-15/16 3	12.00	4.00	1.88	4.50	2.13	3/4	1.130	3.125	6.31	0.810	3.625	4.750	9.188	9.813	2.493	0.24
218	80mm 85mm 90mm	356	114	57	130.3	60.40	M20	31.8	95.25	191	24	102.400	131.8	271	287	68.9	6mm
	3-7/16 3-1/2	14.00	4.50	2.25	5.13	2.380	7/8	1.250	3.750	7.50	0.940	4.030	5.190	10.688	11.313	2.711	0.24
220	100mm 3-15/16 4	387	114	62	152.4	57.00	M20	30.2	107.95	246	24	125.7	150.8	311	324	79.0	7mm
	4-7/16 4-1/2	15.25	4.50	2.44	6.00	2.250	7/8	1.190	4.250	8.70	0.940	4.594	5.940	12.25	12.75	3.110	0.28
222	110mm 4-7/16 4-1/2	422	118	70	155.6	63.5	M20	30.2	120.65	246	24	—	155.5	336	349	82.3	9mm
	4-15/16 5	16.63	4.63	2.75	6.13	2.500	7/8	1.19	4.750	9.67	0.94	—	6.125	13.25	13.75	3.240	0.35
226	125mm 4-15/16 5	470	130	76	174.8	73.1	M20	31.8	139.70	283	25	—	168.3	387	400	88.6	9mm
	4-15/16 5	18.50	5.13	3.00	6.88	2.880	7/8	1.250	5.500	11.16	1.000	—	6.625	15.25	15.75	3.490	0.35

### Optional Teflon Seals & End Covers 220-226 Sizes (215-218 on previous page)

Housing Size	Shaft Size d	Single Collar Units with Teflon Seals		Dual Collar Units with Teflon Seals		Open End Cover Components		Closed End Cover Part No.	Dimensions (mm)/(in)		
		Part No. Expansion	Part No. Non-Expansion	Part No. Expansion	Part No. Non-Expansion	Open End Cover Part No.	Wiper Seal Part No.		D1	T1	T2
220	100mm	SR2-PB4-100MMLXP	SR2-PB4-100MMLNE	—	—	SRBOEC220-100MM	LER109DC	SRBCEC220	180.3	38.1	54.1
	3-15/16 4	SR2-PB4-315TLXP SR2-PB4-400TLXP	SR2-PB4-315TLNE SR2-PB4-400TLNE	SR2-PB4-315TLXP-DC —	SR2-PB4-315TLNE-DC —	SRBOEC220-63 SRBOEC220-64	LER109DC		7.1	1.50	2.13
222	110mm	—	—	SRE-PB4-110MMLXP-DC	SRE-PB4-110MMLNE-DC	SRBOEC222-110MM	LER117DC	SRBCEC222	201	41.4	53.6
	4-7/16 4-1/2	—	—	SRE-PB4-407TLXP-DC SRE-PB4-408TLXP-DC	SRE-PB4-407TLNE-DC SRE-PB4-408TLNE-DC	SRBOEC222-71 SRBOEC222-72	LER117DC		7.9	1.63	2.11
226	125mm	—	—	SRE-PB4-125MMLXP-DC	SRE-PB4-125MMLNE-DC	SRBOEC226-125MM	LER122DC	SRBCEC226	229	41.4	58.7
	4-15/16 5	—	—	SRE-PB4-415TLXP-DC SRE-PB4-500TLXP-DC	SRE-PB4-415TLNE-DC SRE-PB4-500TLNE-DC	SRBOEC226-79 SRBOEC226-80	LER122DC		9.0	1.63	2.31

Note: Open End Covers include the steel cover and internal double lip shaft seal. The Wiper Seal is optional and may be ordered separately.

# SR2200 Spherical Roller Bearings

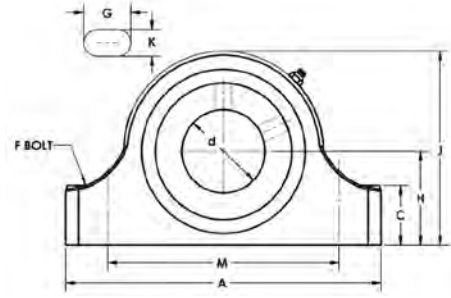


## SR2-PB2 Series - Pillow Blocks

- 2-Bolt Solid Base
- Single & Dual Locking Collars
- Inch & Metric Bores
- Ductile Iron Housing
- Expansion & Non-Expansion Units
- Self-Aligning (+/- 1-1/2°)
- R3 Triple Lip Contact Seals
- Teflon Seals & End Cover Options



Models Available



Housing Size	Shaft Size d	Single Locking Collar			Dual Locking Collar**			Basic Dynamic Load Rating C (Lbs)*	Basic Static Load Rating Co (Lbs)*	Max Speed (RPM) Triple Lip Grease	Max Speed (RPM) Teflon Labyrinth	Max Speed (RPM) Metal Labyrinth
		Part No. Expansion	Part No. Non-Expansion	Wt. Lb	Part No. Expansion	Part No. Non-Expansion	Wt. Lb					
208	30mm	SR2-PB2-30MMR3XP	SR2-PB2-30MMR3NE	7	—	—	—	17,540	20,230	2750	3600	3600
	35mm	SR2-PB2-35MMR3XP	SR2-PB2-35MMR3NE	7	—	—	—					
	1-7/16 1-1/2	SR2-PB2-107R3XP SR2-PB2-108R3XP	SR2-PB2-107R3NE SR2-PB2-108R3NE	7 7	SR2-PB2-107R3XP-DC —	SR2-PB2-107R3NE-DC —	7.5 —					
209	40mm	SR2-PB2-40MMR3XP	SR2-PB2-40MMR3NE	10	—	—	—	17,980	21,360	2425	3360	3360
	45mm	SR2-PB2-45MMR3XP	SR2-PB2-200R3NE	10	—	—	—					
	1-11/16 1-3/4	SR2-PB2-111R3XP SR2-PB2-112R3XP	SR2-PB2-111R3NE SR2-PB2-112R3NE	10 10	—	—	—					
210	50MM	SR2-PB2-50MMR3XP	SR2-PB2-50MMR3NE	12	—	—	—	20,230	24,730	2225	3180	3180
	1-15/16 2	SR2-PB2-115R3XP SR2-PB2-200R3XP	SR2-PB2-115R3NE SR2-PB2-200R3NE	12 12	SR2-PB2-115R3XP-DC —	SR2-PB2-115R3NE-DC —	13 —					
	55mm	SR2-PB2-55MMR3XP	SR2-PB2-55MMR3NE	16	—	—	—					
211	2-3/16	SR2-PB2-203R3XP	SR2-PB2-203R3NE	16	—	—	—	23,600	28,100	2000	2800	2800
	60mm	SR2-PB2-60MMR3XP	SR2-PB2-60MMR3NE	20	—	—	—					
	2-7/16 2-1/2	SR2-PB2-207R3XP SR2-PB2-208R3XP	SR2-PB2-207R3NE SR2-PB2-208R3NE	20 20	SR2-PB2-207R3XP-DC —	SR2-PB2-207R3NE-DC —	22 —					
215	65mm	SR2-PB2-65MMR3XP	SR2-PB2-65MMR3NE	28	—	—	—	41,590	52,830	1500	2150	2150
	70mm	SR2-PB2-70MMR3XP	SR2-PB2-70MMR3NE	28	—	—	—					
	75mm	SR2-PB2-75MMR3XP	SR2-PB2-75MMR3NE	27	—	—	—					
	2-11/16 2-3/4	SR2-PB2-211R3XP SR2-PB2-212R3XP	SR2-PB2-211R3NE SR2-PB2-212R3NE	28 28	—	—	—					
	2-15/16 3	SR2-PB2-215R3XP SR2-PB2-300R3XP	SR2-PB2-215R3NE SR2-PB2-300R3NE	27 27	SR2-PB2-215R3XP-DC —	SR2-PB2-215R3NE-DC —	32 —					
218	80mm	SR2-PB2-80MMR3XP	SR2-PB2-80MMR3NE	45	—	—	—	62,950	83,180	1250	1600	1600
	85mm	SR2-PB2-85MMR3XP	SR2-PB2-85MMR3NE	45	SR2-PB2-85MMR3XP-DC	SR2-PB2-85MMR3NE-DC	48					
	90mm	SR2-PB2-90MMR3XP	SR2-PB2-90MMR3NE	45	—	—	—					
	3-7/16 3-1/2	SR2-PB2-307R3XP SR2-PB2-308R3XP	SR2-PB2-307R3NE SR2-PB2-308R3NE	45 45	SR2-PB2-307R3XP-DC —	SR2-PB2-307R3NE-DC —	— —					
	100mm	SR2-PB2-100MMR3XP	SR2-PB2-100MMR3NE	55	—	—	—					
220	3-15/16 4	SR2-PB2-315R3XP SR2-PB2-400R3XP	SR2-PB2-315R3NE SR2-PB2-400R3NE	55 55	SR2-PB2-315R3XP-DC —	SR2-PB2-315R3NE-DC —	60 —	84,300	112,400	1100	1350	1350

Note: \* For load ratings in Newtons, multiply Lbs by 4.44. \*\* Dual locking collar units other than those listed are available from production. Contact PTI.

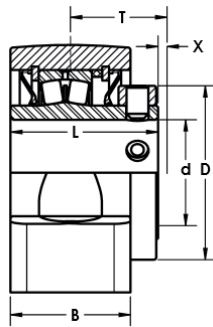
### Optional Teflon Seals & End Covers 208-213 Sizes (215-220 continued on next page)

Housing Size	Shaft Size d	Single Collar Units with Teflon Seals		Dual Collar Units with Teflon Seals		Open End Cover Components		Closed End Cover Part No.	Dimensions (mm)/(in)		
		Part No. Expansion	Part No. Non-Expansion	Part No. Expansion	Part No. Non-Expansion	Open End Cover Part No.	Wiper Seal Part No.		D1	T1	T2
208	30mm	SR2-PB2-30MRTLXP	SR2-PB2-30MRTLNE	—	—	SRBOEC208-30MM	—	SRBCEC208	76	24	34
	35mm	SR2-PB2-35MRTLXP	SR2-PB2-35MRTLNE	—	—	SRBOEC208-35MM	—		3.0	0.9	1.3
	1-7/16 1-1/2	SR2-PB2-107TLXP SR2-PB2-108TLXP	SR2-PB2-107TLNE SR2-PB2-108TLNE	SR3-PB2-107TLXP-DC —	SR3-PB2-107TLNE-DC —	SRBOEC208-23 SRBOEC208-24	LERDC17		—	—	—
209	40mm	SR2-PB2-40MRTLXP	SR2-PB2-40MRTLNE	—	—	SRBOEC209-40MM	—	SRBCEC209	86	28	38
	45mm	SR2-PB2-45MRTLXP	SR2-PB2-45MRTLNE	—	—	SRBOEC209-45MM	—		3.4	1.1	1.5
	1-11/16 1-3/4	SR2-PB2-111TLXP SR2-PB2-112TLXP	SR2-PB2-111TLNE SR2-PB2-112TLNE	—	—	SRBOEC209-27 SRBOEC209-28	LERDC20		—	—	—
210	50mm	SR2-PB2-50MRTLXP	SR2-PB2-50MRTLNE	—	—	SRBOEC210-50MM	—	SRBCEC210	91	24	34
	1-15/16 2	SR2-PB2-115TLXP SR2-PB2-200TLXP	SR2-PB2-115TLNE SR2-PB2-200TLNE	SR2-PB2-115TLXP-DC —	SR2-PB2-115TLNE-DC —	SRBOEC210-31 SRBOEC210-32	LERDC24		3.6	0.9	1.3
	55mm	SR2-PB2-55MRTLXP	SR2-PB2-55MRTLNE	—	—	SRBOEC211-55MM	—		102	28	38
211	2-3/16	SR2-PB2-203TLXP	SR2-PB2-203TLNE	—	—	SRBOEC211-35	LERDC29	SRBCEC211	4.0	1.1	1.5
	60mm	SR2-PB2-60MRTLXP	SR2-PB2-60MRTLNE	—	—	SRBOEC213-60MM	—		122	28	41
213	2-7/16	SR2-PB2-207TLXP	SR2-PB2-207TLNE	SR2-PB2-207TLXP-DC	SR2-PB2-207TLNE-DC	SRBOEC213-39	—	SRBCEC213	4.8	1.1	1.6
	2-1/2	SR2-PB2-208TLXP	SR2-PB2-208TLNE	—	—	SRBOEC213-40	LERDC37		—	—	—

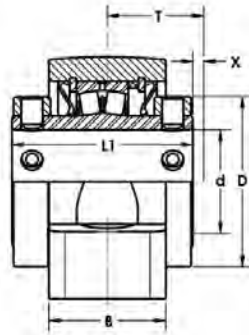
Note: Open End Covers include the steel cover and internal double lip shaft seal. The Wiper Seal is optional and may be ordered separately.

# SR2200 Spherical Roller Bearings

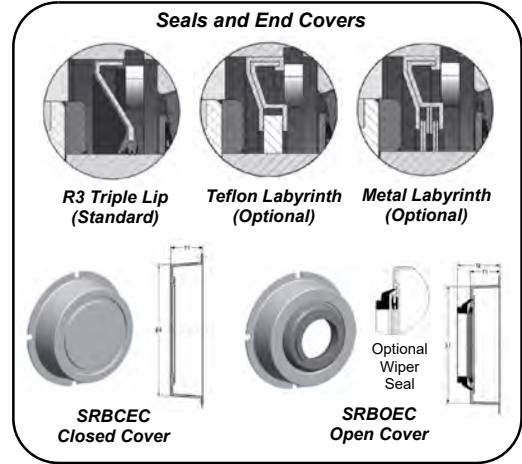
## SR2-PB2 Series - Pillow Blocks



Single Locking Collar



Dual Locking Collar



Housing Size	Shaft Size d	Dimensions (mm) / (in)														
		A	B	C	D	F Bolt	G	H	J	K	L	L1	M Min	M Max	T	X Expansion
208	30mm 35mm	174.8	55.6	30.2	60.5	M12	22.1	47.63	98.6	14.2	69.9	88.9	119.1	134.9	42.4	4.0
	1-7/16 1-1/2	6.88	2.19	1.19	2.38	1/2	0.87	1.875	3.88	0.56	2.75	3.5	4.69	5.31	1.67	0.16
209	40mm 45mm	187.5	55.6	33.3	66.8	M12	22.1	53.98	108.0	14.2	73.2	96.8	131.8	147.6	44.7	6.0
	1-11/16 1-3/4	7.38	2.19	1.31	2.63	1/2	0.87	2.125	4.25	0.56	2.88	3.81	5.19	5.81	1.67	0.24
210	50mm	212.9	63.5	35.1	73.2	M16	25.9	57.15	115.8	17.5	73.2	95.3	150.9	166.6	44.7	6.0
	1-15/16 2	8.38	2.5	1.38	2.88	5/8	1.02	2.25	4.56	0.69	2.88	3.75	5.94	6.56	1.76	0.24
211	55mm	225.6	63.5	41.4	82.6	M16	25.4	63.50	127.0	17.5	79.5	101.6	163.6	179.3	47.8	6.0
	2-3/16 60mm	8.88	2.5	1.63	3.25	5/8	1.0	2.5	5.0	0.69	3.13	4.0	6.44	7.06	1.88	0.24
213	60mm	235.0	69.9	44.5	101.6	M16	25.4	69.85	144.5	17.5	85.9	108.0	173.0	189.0	51.1	6.0
	2-7/16 2-1/2	9.25	2.75	1.75	4.0	5/8	1.0	2.75	5.69	0.69	3.38	4.25	6.81	7.44	2.01	0.24
215	65mm 70mm 75mm	265.2	71.4	57.2	114.3	M20	28.4	82.55	163.6	20.6	92.2	120.7	198.4	214.4	57.4	6.0
	2-11/16 2-3/4 2-15/16 3	10.44	2.81	2.25	4.5	3/4	1.12	3.25	6.44	0.81	3.63	4.75	7.81	8.44	2.26	0.24
	80mm 85mm 90mm	330.2	82.6	57.2	130.3	M20	36.6	95.25	190.5	23.9	102.4	131.8	241.3	266.7	62.7	6.0
218	3-7/16 3-1/2	13	3.25	2.25	5.13	7/8	1.44	3.75	7.5	0.94	4.03	5.19	9.5	10.5	2.47	0.24
	100mm	362.0	90.4	63.5	152.4	M24	49.3	107.95	212.9	26.9	116.6	150.9	254.0	298.5	71.9	7.0
220	3-15/16 4	14.25	3.56	2.5	6.0	1.0	1.94	4.25	8.38	1.06	4.59	5.94	10.0	11.75	2.83	0.28

### Optional Teflon Seals & End Covers 215-220 Sizes (208-213 on previous page)

Housing Size	Shaft Size d	Single Collar Units with Teflon Seals		Dual Collar Units with Teflon Seals		Open End Cover Components		Closed End Cover Part No.	Dimensions (mm)/(in)		
		Part No. Expansion	Part No. Non-Expansion	Part No. Expansion	Part No. Non-Expansion	Open End Cover Part No.	Wiper Seal Part No.		D1	T1	T2
215	65mm	SR2-PB2-65MRTLXP	SR2-PB2-65MRTLNE	—	—	SRBOEC215-65MM	—	SRBCEC215	132.1	32.5	47.2
	70mm	SR2-PB2-70MRTLXP	SR2-PB2-70MRTLNE	—	—	SRBOEC215-70MM	LER44DC				
	75mm	SR2-PB2-75MRTLXP	SR2-PB2-75MRTLNE	—	—	SRBOEC215-75MM	LER53DC				
	2-11/16	SR2-PB2-211TLXP	SR2-PB2-211TLNE	—	—	SRBOEC215-43	LER44DC	5.2	1.28	1.86	
	2-3/4	SR2-PB2-212TLXP	SR2-PB2-212TLNE	SR2-PB2-215TLXP-DC	SR2-PB2-215TLNE-DC	SRBOEC215-44	LER53DC				
2-15/16	SR2-PB2-215TLXP	SR2-PB2-215TLNE	SRBOEC215-47								
3	SR2-PB2-300TLXP	SR2-PB2-300TLNE	—	—	SRBOEC215-48	—	—	—	—	—	
218	80mm	SR2-PB2-80MRTLXP	SR2-PB2-80MRTLNE	SR2-PB2-85MRTLXP-DC	SR2-PB2-85MRTLNE-DC	SRBOEC218-80MM	—	SRBCEC218	160	32.5	45.5
	85mm	SR2-PB2-85MRTLXP	SR2-PB2-85MRTLNE			SRBOEC218-85MM	LER102DC				
	90mm	SR2-PB2-90MRTLXP	SR2-PB2-90MRTLNE	SRBOEC218-90MM	LER102DC						
	3-7/16	SR2-PB2-307TLXP	SR2-PB2-307TLNE	SR2-PB2-307TLXP-DC	SR2-PB2-307TLNE-DC	SRBOEC218-55	LER102DC	6.3	1.28	1.79	
3-1/2	SR2-PB2-308TLXP	SR2-PB2-308TLNE	—	—	SRBOEC218-56	—					
220	100mm	SR2-PB2-100MRTLXP	SR2-PB2-100MRTLNE	—	—	SRBOEC220-100MM	LER109DC	SRBCEC220	180.3	38.1	54.1
	3-15/16	SR2-PB2-315TLXP	SR2-PB2-315TLNE	SR2-PB2-315TLXP-DC	SR2-PB2-315TLNE-DC	SRBOEC220-63	LER109DC				
4	SR2-PB2-400TLXP	SR2-PB2-400TLNE	—	—	SRBOEC220-64	—		—	—	—	—

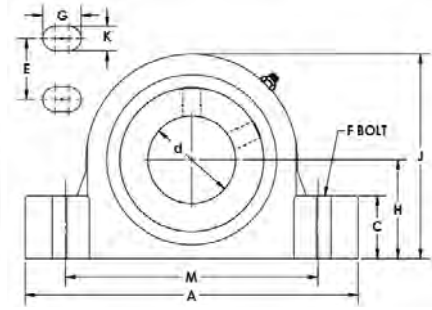
Note: Open End Covers include the steel cover and internal double lip shaft seal. The Wiper Seal is optional and may be ordered separately.

# SR2200 Spherical Roller Bearings



## SR2-PB4 Series - Pillow Blocks

- 4-Bolt Base Design
- Single & Dual Locking Collars
- Ductile Iron Housing
- Expansion & Non-Expansion Units
- Self-Aligning (+/- 1-1/2°)
- R3 Triple Lip Contact Seals
- Teflon Seals & End Cover Options



Models Available

Housing Size	Shaft Size d	Single Locking Collar Pillow Block			Dual Locking Collar Pillow Block**			Basic Dynamic Load Rating C (Lbs)*	Basic Static Load Rating Co (Lbs)*	Max Speed (RPM) Triple Lip Grease	Max Speed (RPM) Teflon Labyrinth	Max Speed (RPM) Metal Labyrinth
		Part No. Expansion	Part No. Non-Expansion	Wt. Lb	Part No. Expansion	Part No. Non-Expansion	Wt. Lb					
215	70mm	SR2-PB4-70MMR3XP	SR2-PB4-70MMR3NE	26	—	—	—	41,590	52,830	1500	2150	2150
	75mm	SR2-PB4-75MMR3XP	SR2-PB4-75MMR3NE	26	—	—	—					
	2-11/16	SR2-PB4-211R3XP	SR2-PB4-211R3NE	26	—	—	—					
	2-3/4	SR2-PB4-212R3XP	SR2-PB4-212R3NE	26	—	—	—					
	2-15/16	SR2-PB4-215R3XP	SR2-PB4-215R3NE	27	SR2-PB4-215R3XP-DC	SR2-PB4-215R3NE-DC	32					
3	SR2-PB4-300R3XP	SR2-PB4-300R3NE	27	—	—	—						
218	80mm	SR2-PB4-80MMR3XP	SR2-PB4-80MMR3NE	41	—	—	—	62,950	83,180	1250	1600	1600
	85mm	SR2-PB4-85MMR3XP	SR2-PB4-85MMR3NE	40	SR2-PB4-85MMR3XP-DC	SR2-PB4-85MMR3NE-DC	48					
	90mm	SR2-PB4-90MMR3XP	SR2-PB4-90MMR3NE	40	—	—	—					
	3-7/16	SR2-PB4-307R3XP	SR2-PB4-307R3NE	40	SR2-PB4-307R3XP-DC	SR2-PB4-307R3NE-DC	—					
	3-1/2	SR2-PB4-308R3XP	SR2-PB4-308R3NE	40	—	—	—					
220	100mm	SR2-PB4-100MMR3XP	SR2-PB4-100MMR3NE	57	—	—	—	84,300	112,400	1100	1350	1350
	3-15/16	SR2-PB4-315R3XP	SR2-PB4-315R3NE	57	SR2-PB4-315R3XP-DC	SR2-PB4-315R3NE-DC	60					
	4	SR2-PB4-400R3XP	SR2-PB4-400R3NE	57	—	—	—					
222	100mm	—	—	—	SR2-PB4-110MMR3XP	SR2-PB4-110MMR3NE	83	94,420	134,890	1040	1200	1200
	4-7/16	—	—	—	SR2-PB4-407R3XP	SR2-PB4-407R3NE	83					
	4-1/2	—	—	—	SR2-PB4-408R3XP	SR2-PB4-408R3NE	83					
226	125mm	—	—	—	SR2-PB4-125MMR3XP	SR2-PB4-125MMR3NE	125	128,140	185,470	900	1020	1020
	4-15/16	—	—	—	SR2-PB4-415R3XP	SR2-PB4-415R3NE	125					
	5	—	—	—	SR2-PB4-500R3XP	SR2-PB4-500R3NE	125					

Note: \* For load ratings in Newtons, multiply Lbs by 4.44. \*\* Double locking collar units other than those listed are available from production. Contact PTI.

### End Covers 215-218 Sizes (220-226 continued on next page)

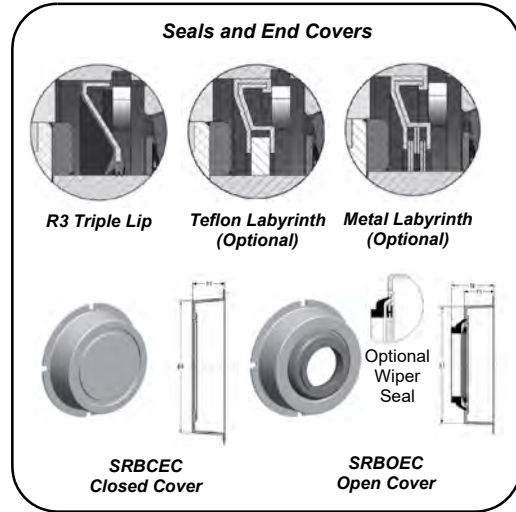
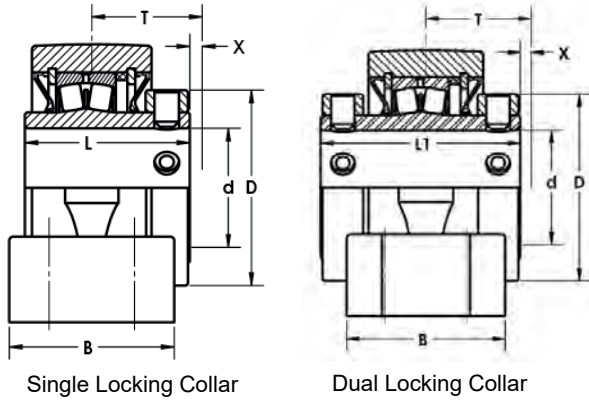
Housing Size	Shaft Size d	Single Collar Units with Teflon Seals		Dual Collar Units with Teflon Seals		Open End Cover Components		Closed End Cover Part No.	Dimensions (mm)/(in)		
		Part No. Expansion	Part No. Non-Expansion	Part No. Expansion	Part No. Non-Expansion	Open End Cover Part No.	Wiper Seal Part No.		D1	T1	T2
215	65mm	SR2-PB4-65MMLXP	SR2-PB4-65MMLNE	—	—	SRBOEC215-65mm	—	SRBCEC215	132.1	32.5	47.2
	70mm	SR2-PB4-70MMLXP	SR2-PB4-70MMLNE	—	—	SRBOEC215-70mm	LER44DC				
	75mm	SR2-PB4-75MMLXP	SR2-PB4-75MMLNE	—	—	SRBOEC215-75mm	LER53DC				
	2-11/16	SR2-PB4-211TLXP	SR2-PB4-211TLNE	—	—	SRBOEC215-43	LER44DC	5.2	1.28	1.86	
	2-3/4	SR2-PB4-212TLXP	SR2-PB4-212TLNE	—	—	SRBOEC215-44	LER44DC				
	2-15/16	SR2-PB4-215TLXP	SR2-PB4-215TLNE	SR2-PB4-215TLXP-DC	SR2-PB4-215TLNE-DC	SRBOEC215-47	LER53DC				
3	SR2-PB4-300TLXP	SR2-PB4-300TLNE	—	—	SRBOEC215-48	LER53DC					
218	80mm	SR2-PB4-80MMLXP	SR2-PB4-80MMLNE	—	—	SRBOEC218-80mm	—	SRBCEC218	160	32.5	45.5
	85mm	SR2-PB4-85MMLXP	SR2-PB4-85MMLNE	SR2-PB4-85MMLXP-DC	SR2-PB4-85MMLNE-DC	SRBOEC218-85mm	LER102DC				
	90mm	SR2-PB4-90MMLXP	SR2-PB4-90MMLNE	—	—	SRBOEC218-90mm	LER102DC				
	3-7/16	SR2-PB4-307TLXP	SR2-PB4-307TLNE	SR2-PB4-307TLXP-DC	SR2-PB4-307TLNE-DC	SRBOEC218-55	LER102DC	6.3	1.28	1.79	
	3-1/2	SR2-PB4-308TLXP	SR2-PB4-308TLNE	—	—	SRBOEC218-56	LER102DC				

Note: Open End Covers include the steel cover and internal double lip shaft seal. The Wiper Seal is optional and may be ordered separately

# SR2200 Spherical Roller Bearings



## SR2-PB4 Series - Pillow Blocks



Housing Size	Shaft Size d	Dimensions (mm) / (in)															
		A	B	C	D	E	F Bolt	G	H	J	K	L	L1	M Min	M Max	T	X Expansion
215	70mm 75mm	265	95	57.2	114.3	47.6	M16	25.4	82.6	163.5	17.5	92.1	120.7	198.4	214.3	63.3	6mm
	2-11/16 2-3/4 2-15/16 3	10.4	3.8	2.25	4.50	1.875	5/8	1.000	3.250	6.4	0.69	3.625	4.750	7.81	8.44	2.49	0.24
	80mm 85mm 90mm	330	105	57.2	130.3	50.8	M20	42.9	82.25	190.5	23.8	102.4	131.7	238.1	276.2	68.9	6mm
218	3-7/16 3-1/2	13.0	4.1	2.25	5.13	2.000	7/8	1.688	3.238	7.5	0.94	4.031	5.186	9.38	10.88	2.71	0.24
	100mm	387	114	63.5	152.4	57.2	M20	50.8	107.95	212.7	23.8	116.7	150.8	276.2	330.2	78.9	7mm
220	3-15/16 4	15.3	4.5	2.50	6.00	2.250	7/8	2.000	4.250	8.4	0.94	4.59	5.94	10.88	13.00	3.11	0.28
	110mm	419	121	69.9	155.6	63.5	M20	36.5	120.7	244.5	23.8	155.6	155.6	330.2	355.6	82.3	7mm
222	4-7/16 4-1/2	16.5	4.8	2.75	6.13	2.500	7/8	1.438	4.750	9.6	0.94	6.125	6.125	13.00	14.00	3.24	0.28
	125mm	472	137.2	76.20	174.8	69.9	M20	38.1	139.7	281.9	25.40	168.3	168.3	381	406	88.6	9mm
226	4-15/16 5	18.6	5.4	3.00	6.88	2.750	7/8	1.500	5.500	11.1	1.00	6.625	6.625	15.00	16.00	3.49	0.35

### End Covers 220-226 Sizes (215-218 on previous page)

Housing Size	Shaft Size d	Single Collar Units with Teflon Seals		Dual Collar Units with Teflon Seals		Open End Cover Components		Closed End Cover Part No.	Dimensions (mm)/(in)		
		Part No. Expansion	Part No. Non-Expansion	Part No. Expansion	Part No. Non-Expansion	Open End Cover Part No.	Wiper Seal Part No.		D1	T1	T2
220	100mm	SR2-PB4100MMLXP	SR2-PB4-100MMLTNE	—	—	SRBOEC220-100mm	LER109DC	SRBCEC220	180	38.1	54.1
	3-15/16 4	SR2-PB4-315TLXP SR2-PB4-400TLXP	SR2-PB4-315TLNE SR2-PB4-400TLNE	SR2-PB4-315TLXP-DC —	SR2-PB4-315TLNE-DC —	SRBOEC220-63 SRBOEC220-64	LER109DC		7.1	1.50	2.13
222	110mm	—	—	SR2-PB4-110MMLXP-DC	SR2-PB4-110MMLTNE-DC	SRBOEC222-110mm	LER117DC	SRBCEC222	201	41.4	53.6
	4-7/16	—	—	SR2-PB4-407TLXP	SR2-PB4-407TLNE	SRBOEC222-71	LER117DC		7.9	1.63	2.11
	4-1/2	—	—	SR2-PB4-408TLXP	SR2-PB4-408TLNE	SRBOEC222-72	LER117DC				
226	125mm	—	—	SR2-PB4-125MMLXP-DC	SR2-PB4-125MMLTNE-DC	SRBOEC226-125mm	LER122DC	SRBCEC226	229	41.4	58.7
	4-15/16 5	—	—	SR2-PB4-415TLXP SR2-PB4-500TLXP	SR2-PB4-415TLNE SR2-PB4-500TLNE	SRBOEC226-79 SRBOEC226-80	LER122DC		9.0	1.63	2.31

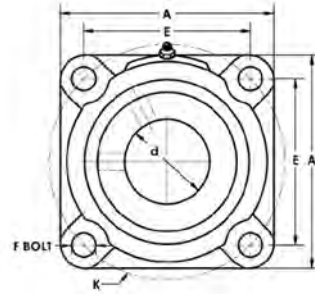
Note: Open End Covers include the steel cover and internal double lip shaft. The Wiper Seal is optional and may be ordered separately.

# SR2200 Spherical Roller Bearings



## SR2-FB4 Series 4 Bolt Flange

- 4-Bolt Flange Design
- Single Locking Collar
- Inch & Metric Bores
- Ductile Iron Housing
- Expansion & Non-Expansion Units
- Self-Aligning (+/- 1-1/2°)
- R3 Triple Lip Contact Seals
- Teflon Seals & End Cover Options



Models Available

Housing Size	Shaft Size d	Part No. Expansion	Part No. Non-Expansion	Wt. Lb	Basic Dynamic Load Rating C (Lbs)*	Basic Static Load Rating Co (Lbs)*	Max Speed (RPM) Triple Lip Grease	Max Speed (RPM) Teflon Labyrinth	Max Speed (RPM) Metal Labyrinth
208	30mm	SR2-FB4-30MMR3XP	SR2-FB4-30MMR3NE	7	17,540	20,230	2750	3600	3600
	35mm	SR2-FB4-35MMR3XP	SR2-FB4-35MMR3NE	7					
	1-7/16	SR2-FB4-107R3XP	SR2-FB4-107R3NE	7					
	1-1/2	SR2-FB4-108R3XP	SR2-FB4-108R3NE	7					
209	40mm	SR2-FB4-40MMR3XP	SR2-FB4-40MMR3NE	8	17,980	21,360	2425	3360	3360
	45mm	SR2-FB4-45MMR3XP	SR2-FB4-200R3NE	8					
	1-11/16	SR2-FB4-111R3XP	SR2-FB4-111R3NE	8					
	1-3/4	SR2-FB4-112R3XP	SR2-FB4-112R3NE	8					
210	50MM	SR2-FB4-50MMR3XP	SR2-FB4-50MMR3NE	9	20,230	24,730	2225	3180	3180
	1-15/16	SR2-FB4-115R3XP	SR2-FB4-115R3NE	9					
	2	SR2-FB4-200R3XP	SR2-FB4-200R3NE	9					
211	55mm	SR2-FB4-55MMR3XP	SR2-FB4-55MMR3NE	12	23,600	28,100	2000	2800	2800
	2-3/16	SR2-FB4-203R3XP	SR2-FB4-203R3NE	12					
213	60mm	SR2-FB4-60MMR3XP	SR2-FB4-60MMR3NE	16	37,090	46,090	1700	2360	2360
	2-7/16	SR2-FB4-207R3XP	SR2-FB4-207R3NE	16					
	2-1/2	SR2-FB4-208R3XP	SR2-FB4-208R3NE	16					
215	65mm	SR2-FB4-65MMR3XP	SR2-FB4-65MMR3NE	25	41,590	52,830	1500	2150	2150
	70mm	SR2-FB4-70MMR3XP	SR2-FB4-70MMR3NE	25					
	75mm	SR2-FB4-75MMR3XP	SR2-FB4-75MMR3NE	24					
	2-11/16	SR2-FB4-211R3XP	SR2-FB4-211R3NE	25					
	2-3/4	SR2-FB4-212R3XP	SR2-FB4-212R3NE	25					
218	80mm	SR2-FB4-80MMR3XP	SR2-FB4-80MMR3NE	32	62,950	83,180	1250	1600	1600
	85mm	SR2-FB4-85MMR3XP	SR2-FB4-85MMR3NE	32					
	90mm	SR2-FB4-90MMR3XP	SR2-FB4-90MMR3NE	32					
	3-7/16	SR2-FB4-307R3XP	SR2-FB4-307R3NE	32					
220	3-1/2	SR2-FB4-308R3XP	SR2-FB4-308R3NE	32	84,300	112,400	1100	1350	1350
	100mm	SR2-FB4-100MMR3XP	SR2-FB4-100MMR3NE	43					
	3-15/16	SR2-FB4-315R3XP	SR2-FB4-315R3NE	43					
	4	SR2-FB4-400R3XP	SR2-FB4-400R3NE	43					

Note: \* For load ratings in Newtons, multiply Lbs by 4.44.

### Optional Teflon Seals & End Covers 208-213 Sizes (215-220 continued on next page)

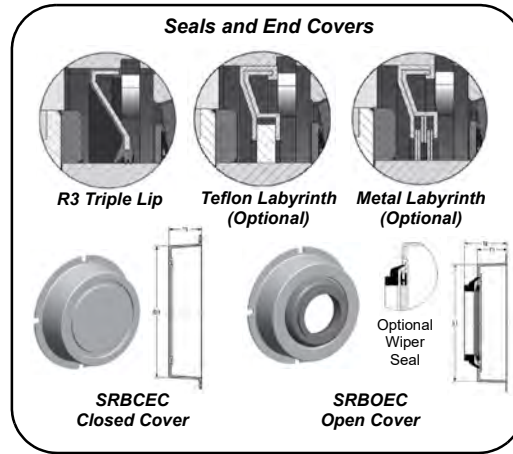
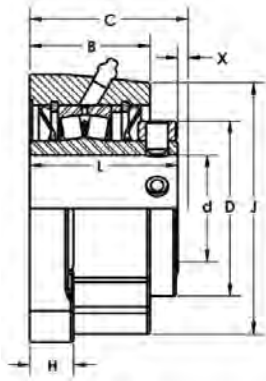
Housing Size	Shaft Size d	Units with Teflon Seals		Open End Cover Components		Closed End Cover Part No.	Dimensions (mm)/(in)		
		Part No. Expansion	Part No. Non-Expansion	Open End Cover Part No.	Wiper Seal Part No.		D1	T1	T2
208	30mm	SR-FB4-30MRTLXP	SR2-FB4-30MRTLNE	SRBOEC208-30MM	—	SRBCEC208	76	24	34
	35mm	SR2-FB4-35MRTLXP	SR2-FB4-35MRTLNE	SRBOEC208-35MM	—		3.0	0.9	1.3
	1-7/16	SR2-FB4-107TLXP	SR2-FB4-107TLNE	SRBOEC208-23	LER17DC				
	1-1/2	SR2-FB4-108TLXP	SR2-FB4-108TLNE	SRBOEC208-24	—				
209	40mm	SR2-FB4-40MRTLXP	SR2-FB4-40MRTLNE	SRBOEC209-40MM	—	SRBCEC209	86	28	38
	45mm	SR2-FB4-45MRTLXP	SR2-FB4-45MRTLNE	SRBOEC209-45MM	—		3.4	1.1	1.5
	1-11/16	SR2-FB4-111TLXP	SR2-FB4-111TLNE	SRBOEC209-27	LER20DC				
	1-3/4	SR2-FB4-112TLXP	SR2-FB4-112TLNE	SRBOEC209-28	—				
210	50mm	SR2-FB4-50MRTLXP	SR2-FB4-50MRTLNE	SRBOEC210-50MM	—	SRBCEC210	91	24	34
	1-15/16	SR2-FB4-115TLXP	SR2-FB4-115TLNE	SRBOEC210-31	—		3.6	0.9	1.3
	2	SR2-FB4-200TLXP	SR2-FB4-200TLNE	SRBOEC210-32	LER24DC				
211	55mm	SR2-FB4-55MRTLXP	SR2-FB4-55MRTLNE	SRBOEC211-55MM	—	SRBCEC211	102	28	38
	2-3/16	SR2-FB4-203TLXP	SR2-FB4-203TLNE	SRBOEC211-35	LER29DC		4.0	1.1	1.5
213	60mm	SR2-FB4-60MRTLXP	SR2-FB4-60MRTLNE	SRBOEC213-60MM	—	SRBCEC213	122	28	41
	2-7/16	SR2-FB4-207TLXP	SR2-FB4-207TLNE	SRBOEC213-39	—		4.8	1.1	1.6
	2-1/2	SR2-FB4-208TLXP	SR2-FB4-208TLNE	SRBOEC213-40	LER37DC				

Note: Open End Covers include the steel cover and internal double lip shaft seal. The Wiper Seal is optional and may be ordered separately.

# SR2200 Spherical Roller Bearings



## SR2-FB4 Series 4-Bolt Flange



Housing Size	Shaft Size d	Dimensions (mm) / (in)										
		A	B	C	D	E	F Bolt	H	J	K	L	X Expansion
208	30mm 35mm	117.5	57.2	75	60	89.81	M16	19.0	98	127	69.9	4mm
	1-7/16 1-1/2	4.63	2.25	2.95	2.38	3.536	5/8	0.75	3.9	5.000	2.750	0.16
209	40mm 45mm	127.0	58.8	80	67	98.78	M16	19.0	108	140	73.0	6mm
	1-11/16 1-3/4	5.00	2.31	3.15	2.63	3.889	5/8	0.75	4.3	5.500	2.875	0.24
210	50mm	133.4	57.2	79.4	73	103.27	M16	14.20	114	146	73.0	6mm
	1-15/16 2	5.25	2.25	3.13	2.88	4.066	5/8	0.56	4.5	5.750	2.875	0.24
211	55mm	149.2	61.9	85	83	114.50	M16	19.0	127	162	79.4	6mm
	2-3/16	5.88	2.44	3.34	3.25	4.508	5/8	0.75	5.0	6.375	3.125	0.24
213	60mm	155.6	69.9	92	102	121.23	M16	25.4	146	171.5	73.0	6mm
	2-7/16 2-1/2	6.13	2.75	3.62	4.00	4.773	5/8	1.00	5.750	6.750	3.375	0.24
215	65mm 70mm 75mm	183	73	100	114	141.43	M20	25.4	168	200	92.1	6mm
	2-11/16 2-3/4 2-15/16 3	7.19	2.88	3.93	4.50	5.568	3/4	1.00	6.625	7.875	3.625	0.24
218	80mm 85mm 90mm	210	84	111	130	107.64	M20	28.7	194	241	102.4	6mm
	3-7/16 3-1/2	8.25	3.31	4.37	5.125	6.718	3/4	1.13	7.625	9.500	4.031	0.24
220	100mm	235	89	124	152.4	193.1	M24	30	213	273	116.7	7mm
	3-15/16 4	9.25	3.50	4.86	6.000	7.601	7/8	1.19	8.375	10.750	4.594	0.28

### Optional Teflon Seals & End Covers 215-220 Sizes (208-213 on previous page)

Housing Size	Shaft Size d	Single Collar Units with Teflon Seals		Open End Cover Components		Closed End Cover Part No.	Dimensions (mm)/(in)		
		Part No. Expansion	Part No. Non-Expansion	Open End Cover Part No.	Wiper Seal Part No.		D1	T1	T2
215	65mm	SR2-FB4-65MMLXP	SR2-FB4-65MMLNE	SRBOEC215-65MM	—	SRBCEC215	132.1	32.5	47.2
	70mm	SR2-FB4-70MMLXP	SR2-FB4-70MMLNE	SRBOEC215-70MM	LER44DC				
	75mm	SR2-FB4-75MMLXP	SR2-FB4-75MMLNE	SRBOEC215-75MM	LER53DC				
	2-11/16	SR2-FB4-211TLXP	SR2-FB4-211TLNE	SRBOEC215-43	LER44DC	5.2	1.28	1.86	
2-3/4	SR2-FB4-212TLXP	SR2-FB4-212TLNE	SRBOEC215-44	LER53DC					
2-15/16	SR2-FB4-215TLXP	SR2-FB4-215TLNE	SRBOEC215-47						
218	80mm	SR2-FB4-80MMLXP	SR2-FB4-80MMLNE	SRBOEC218-80MM	—	SRBCEC218	160	32.5	45.5
	85mm	SR2-FB4-85MMLXP	SR2-FB4-85MMLNE	SRBOEC218-85MM	LER102DC				
	90mm	SR2-FB4-90MMLXP	SR2-FB4-90MMLNE	SRBOEC218-90MM	LER102DC				
	3-7/16	SR2-FB4-307TLXP	SR2-FB4-307TLNE	SRBOEC218-55	LER102DC	6.3	1.28	1.79	
3-1/2	SR2-FB4-308TLXP	SR2-FB4-308TLNE	SRBOEC218-56						
220	100mm	SR2-FB4-100MMLXP	SR2-FB4-100MMLNE	SRBOEC220-100MM	LER109DC	SRBCEC220	180.3	38.1	54.1
	3-15/16	SR2-FB4-315TLXP	SR2-FB4-315TLNE	SRBOEC220-63	LER109DC				
	4	SR2-FB4-400TLXP	SR2-FB4-400TLNE	SRBOEC220-64					

Note: Open End Covers include the steel cover and internal double lip shaft seal. The Wiper Seal is optional and may be ordered separately.

# SR2200 Spherical Roller Bearings



## SR2-FC Series 4-Bolt Piloted Flange

Piloted 4-Bolt Flange Design

Single Locking Collar

Ductile Iron Housing

Interchanges with Spherical Series

Expansion & Non-Expansion Units

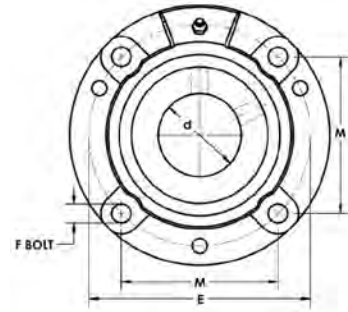
Self-Aligning (+/- 1-1/2°)

Triple Lip Seals

Teflon Seals & End Cover Options



Models Available



Housing Size	Shaft Size d	Single Locking Collar Pillow Block			Basic Dynamic Load Rating C (Lbs)*	Basic Static Load Rating Co (Lbs)*	Max Speed (RPM) Triple Lip Grease	Max Speed (RPM) Teflon Labyrinth	Max Speed (RPM) Metal Labyrinth
		Part No. Expansion	Part No. Non-Expansion	Wt. Lb					
208	30mm	SR2-FC-30MMR3XP	SR2-FC-30MMR3NE	5	17,540	20,230	2750	3600	3600
	35mm	SR2-FC-35MMR3XP	SR2-FC-35MMR3NE	5					
	1-7/16	SR2-FC-107R3XP	SR2-FC-107R3NE	5					
	1-1/2	SR2-FC-108R3XP	SR2-FC-108R3NE	5					
209	40mm	SR2-FC-40MMR3XP	SR2-FC-40MMR3NE	8	17,980	21,360	2425	3360	3360
	45mm	SR2-FC-45MMR3XP	SR2-FC-200R3NE	8					
	1-11/16	SR2-FC-111R3XP	SR2-FC-111R3NE	8					
	1-3/4	SR2-FC-112R3XP	SR2-FC-112R3NE	8					
210	50MM	SR2-FC-50MMR3XP	SR2-FC-50MMR3NE	9	20,230	24,730	2225	3180	3180
	1-15/16	SR2-FC-115R3XP	SR2-FC-115R3NE	9					
	2	SR2-FC-200R3XP	SR2-FC-200R3NE	9					
211	55mm	SR2-FC-55MMR3XP	SR2-FC-55MMR3NE	12	23,600	28,100	2000	2800	2800
	2-3/16	SR2-FC-203R3XP	SR2-FC-203R3NE	12					
213	60mm	SR2-FC-60MMR3XP	SR2-FC-60MMR3NE	16	37,090	46,090	1700	2360	2360
	2-7/16	SR2-FC-207R3XP	SR2-FC-207R3NE	16					
	2-1/2	SR2-FC-208R3XP	SR2-FC-208R3NE	16					
215	65mm	SR2-FC-65MMR3XP	SR2-FC-65MMR3NE	25	41,590	52,830	1500	2150	2150
	70mm	SR2-FC-70MMR3XP	SR2-FC-70MMR3NE	25					
	75mm	SR2-FC-75MMR3XP	SR2-FC-75MMR3NE	24					
	2-11/16	SR2-FC-211R3XP	SR2-FC-211R3NE	25					
	2-3/4	SR2-FC-212R3XP	SR2-FC-212R3NE	25					
218	2-15/16	SR2-FC-215R3XP	SR2-FC-215R3NE	24	62,950	83,180	1250	1600	1600
	3	SR2-FC-300R3XP	SR2-FC-300R3NE	24					
	80mm	SR2-FC-80MMR3XP	SR2-FC-80MMR3NE	32					
	85mm	SR2-FC-85MMR3XP	SR2-FC-85MMR3NE	32					
	90mm	SR2-FC-90MMR3XP	SR2-FC-90MMR3NE	32					
	3-7/16	SR2-FC-307R3XP	SR2-FC-307R3NE	32					
220	3-1/2	SR2-FC-308R3XP	SR2-FC-308R3NE	32	84,300	112,400	1100	1350	1350
	100mm	SR2-FC-100MMR3XP	SR2-FC-100MMR3NE	43					
	3-15/16	SR2-FC-315R3XP	SR2-FC-315R3NE	43					
	4	SR2-FC-400R3XP	SR2-FC-400R3NE	43					

Note: \* For load ratings in Newtons, multiply Lbs by 4.44.

## Optional Teflon Seals & End Covers 208-213 Sizes, (215-220 continued on next page)

Housing Size	Shaft Size d	Units with Teflon Seals		Open End Cover Components		Closed End Cover Part No.	Dimensions (mm)/(in)
		Part No. Expansion	Part No. Non-Expansion	Open End Cover Part No.	Wiper Seal Part No.		
208	30mm	SR2-FC-30MRTLXP	SR2-FC-30MRTLNE	SRBOEC208-30MM	—	SRBCEC208	34
	35mm	SR2-FC-35MRTLXP	SR2-FC-35MRTLNE	SRBOEC208-35MM	—		1.3
	1-7/16	SR2-FC-107TLXP	SR2-FC-107TLNE	SRBOEC208-23	LER17DC		
209	1-1/2	SR2-FC-108TLXP	SR2-FC-108TLNE	SRBOEC208-24	—	SRBCEC209	38
	40mm	SR2-FC-40MRTLXP	SR2-FC-40MRTLNE	SRBOEC209-40MM	—		1.5
	45mm	SR2-FC-45MRTLXP	SR2-FC-200TLNE	SRBOEC209-45MM	—		
	1-11/16	SR2-FC-111TLXP	SR2-FC-111TLNE	SRBOEC209-27	LER20DC		
210	1-3/4	SR2-FC-112TLXP	SR2-FC-112TLNE	SRBOEC209-28	—	SRBCEC210	34
	50mm	SR2-FC-50MRTLXP	SR2-FC-50MRTLNE	SRBOEC210-50MM	—		1.3
	1-15/16	SR2-FC-115TLXP	SR2-FC-115TLNE	SRBOEC210-31	LER24DC		
211	1-3/4	SR2-FC-200TLXP	SR2-FC-200TLNE	SRBOEC210-32	—	SRBCEC211	38
	55mm	SR2-FC-55MRTLXP	SR2-FC-55MRTLNE	SRBOEC211-55MM	—		1.5
213	2-3/16	SR2-FC-203TLXP	SR2-FC-203TLNE	SRBOEC211-35	LER29DC	SRBCEC213	
	60mm	SR2-FC-60MRTLXP	SR2-FC-60MRTLNE	SRBOEC213-60MM	—		1.6
	2-7/16	SR2-FC-207TLXP	SR2-FC-207TLNE	SRBOEC213-39	LER37DC		
	2-1/2	SR2-FC-208TLXP	SR2-FC-208TLNE	SRBOEC213-40	—		

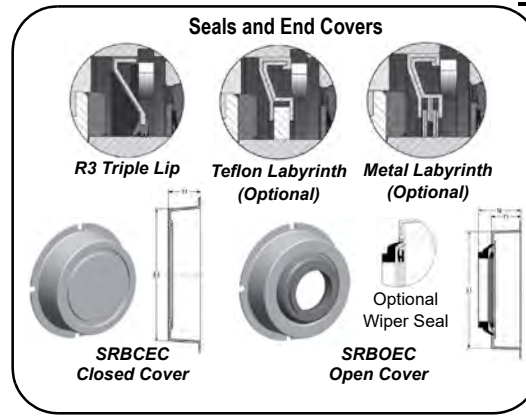
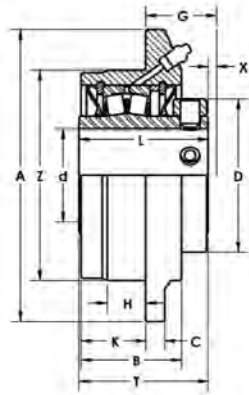
Note: Open End Covers include the steel cover and internal double lip shaft seal. The Wiper Seal is optional and may be ordered separately.



# SR2200 Spherical Roller Bearings



## SR2-FC Series



Housing Size	Shaft Size d	Dismount Thread	Dimensions (mm) / (in)													
			A	B	C	D	E	F Bolt	G	H	K	L	M	T	X Expansion	Z (+0.000 -0.002)
208	30mm	5/16-18	133.4	79.5	12.7	60.5	111.1	M10	40.1	19	33.3	69.9	75.6	—	0.16	—
	1-7/16		5.25	3.13	0.50	2.38	4.375	3/8	1.58	0.75	1.31	2.75	3.094	—	4mm	3.625
209	40mm	5/16-18	155.7	63.5	12.7	66.8	130.2	M12	41.9	22.4	40.4	73.2	92.1	—	0.24	107.95
	45mm		6.13	2.50	0.50	2.63	5.125	7/16	1.65	0.88	1.59	2.88	3.625	—	6mm	4.250
210	50mm	5/16-18	162.1	63.5	14.3	73.0	136.5	M12	41.1	22.2	41.4	73	96.5	—	0.24	113.3
	1-3/4		6.38	2.50	0.56	2.88	5.375	7/16	1.62	0.88	1.63	2.88	3.800	3.24	6mm	4.500
211	55mm	5/16-18	181.0	62	14.2	82.5	152.4	M12	46.7	25.4	38.1	79.4	4.24	3.3	0.24	127
	2-3/16		7.13	2.44	0.56	3.25	6.000	1/2	1.84	1.00	1.50	3.13	4.242	3.34	6mm	5.000
213	60mm	7/16-14	193.7	66.7	15.9	101.6	165.1	M12	47.5	25.4	42.9	85.7	117.71	90.3	0.24	127
	2-7/16		7.63	2.63	0.63	4.00	6.500	1/2	1.87	1.00	1.69	3.38	4.595	3.56	6mm	5.500
215	65mm	7/16-14	222	79.4	19	114.3	190.5	M16	5.2	31.8	50.8	92.1	134.7	103	0.24	162.9
	70mm		8.75	3.13	0.75	4.50	7.500	5/8	2.06	1.25	2.00	3.63	5.302	4.06	6mm	6.375
218	75mm	7/16-14	260	81	23.8	130.2	219.1	M20	64.9	31.75	44.5	102.4	154.9	109.3	0.24	187.3
	80mm		10.25	3.19	0.94	5.13	8.625	3/4	2.55	1.25	1.75	4.03	6.098	4.30	6mm	7.375
220	85mm	1/2-13	276	92	25.4	152.4	238.1	M20	74.2	38.1	50.8	116.6	168.4	125	0.28	206.4
	90mm		10.88	3.63	1.00	6.00	9.375	3/4	2.92	1.50	2.00	4.59	6.63	4.92	7mm	8.125

### Optional Teflon Seals & End Covers 215-220 Sizes (208-213 sizes on previous page)

Housing Size	Shaft Size d	Units with Teflon Seals		Open End Cover Components		Closed End Cover Part No.	Dimensions (mm) (in)		
		Part No. Expansion	Part No. Non-Expansion	Open End Cover Part No.	Wiper Seal Part No.		D1	T1	T2
215	65mm	SR2-FC-65MMLXP	SR2-FC-65MMLNE	SRBOEC215-65MM	—	SRBCEC215	132.1	32.5	47.2
	70mm	SR2-FC-70MMLXP	SR2-FC-70MMLNE	SRBOEC215-70MM	LER44DC				
	75mm	SR2-FC-75MMLXP	SR2-FC-75MMLNE	SRBOEC215-75MM	LER53DC				
	2-11/16	SR2-FC-211TLXP	SR2-FC-211TLNE	SRBOEC215-43	LER44DC	5.2	1.28	1.86	
2-3/4	SR2-FC-212TLXP	SR2-FC-212TLNE	SRBOEC215-44	LER53DC					
2-15/16	SR2-FC-215TLXP	SR2-FC-215TLNE	SRBOEC215-47	LER53DC					
218	80mm	SR2-FC-80MMLXP	SR2-FC-80MMLNE	SRBOEC218-80MM	—	SRBCEC218	160	32.5	45.5
	85mm	SR2-FC-85MMLXP	SR2-FC-85MMLNE	SRBOEC218-85MM	LER102DC				
	90mm	SR2-FC-90MMLXP	SR2-FC-90MMLNE	SRBOEC218-90MM	LER102DC				
	3-7/16	SR2-FC-307TLXP	SR2-FC-307TLNE	SRBOEC218-55	LER102DC	6.3	1.28	1.79	
3-1/2	SR2-FC-308TLXP	SR2-FC-308TLNE	SRBOEC218-56	LER102DC					
220	100mm	SR2-FC-100MMLXP	SR2-FC-100MMLNE	SRBOEC220-100MM	—	SRBCEC220	180.3	38.1	54.1
	3-15/16	SR2-FC-315TLXP	SR2-FC-315TLNE	SRBOEC220-63	LER109DC				
	4	SR2-FC-400TLXP	SR2-FC-400TLNE	SRBOEC220-64	LER109DC				

Note: Open End Covers include the steel cover and internal double lip shaft seal. The Wiper Seal is optional and may be ordered separately.

# SRE Spherical Roller Bearings

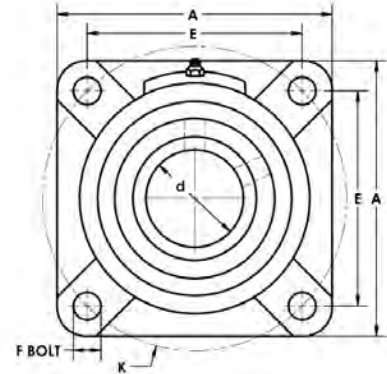


## SRE-FB4 Series 4-Bolt Flange

- 4-Bolt Flange Design
- Single Locking Collar
- Interchanges with Tapered E-Series Dimensions
- Inch & Metric Bores
- Ductile Iron Housing
- Expansion & Non-Expansion Units
- Self-Aligning (+/- 1-1/2°)
- R3 Triple Lip Contact Seals
- Teflon Seals & End Cover Options



Models Available



Housing Size	Shaft Size d	Part No. Expansion	Part No. Non-Expansion	Wt. Lb	Basic Dynamic Load Rating C (Lbs)*	Basic Static Load Rating Co (Lbs)*	Max Speed (RPM) Triple Lip Grease	Max Speed (RPM) Teflon Labyrinth	Max Speed (RPM) Metal Labyrinth
208	30mm	SRE-FB4-30MMR3XP	SRE-FB4-30MMR3NE	7	17,540	20,230	2750	3600	3600
	35mm	SRE-FB4-35MMR3XP	SRE-FB4-35MMR3NE	7					
	1-7/16	SRE-FB4-107R3XP	SRE-FB4-107R3NE	7					
209	40mm	SRE-FB4-40MMR3XP	SRE-FB4-40MMR3NE	8	17,980	21,360	2425	3360	3360
	45mm	SRE-FB4-45MMR3XP	SRE-FB4-200R3NE	8					
	1-1/2	SRE-FB4-108R3XP	SRE-FB4-108R3NE	7					
	1-11/16	SRE-FB4-111R3XP	SRE-FB4-111R3NE	8					
210	50MM	SRE-FB4-50MMR3XP	SRE-FB4-50MMR3NE	9	20,230	24,730	2225	3180	3180
	1-3/4	SRE-FB4-112R3XP	SRE-FB4-112R3NE	8					
	1-15/16	SRE-FB4-115R3XP	SRE-FB4-115R3NE	9					
	2	SRE-FB4-200R3XP	SRE-FB4-200R3NE	9					
211	55mm	SRE-FB4-55MMR3XP	SRE-FB4-55MMR3NE	12	23,600	28,100	2000	2800	2800
	2-3/16	SRE-FB4-203R3XP	SRE-FB4-203R3NE	12					
213	60mm	SRE-FB4-60MMR3XP	SRE-FB4-60MMR3NE	16	37,090	46,090	1700	2360	2360
	2-7/16	SRE-FB4-207R3XP	SRE-FB4-207R3NE	16					
	2-1/2	SRE-FB4-208R3XP	SRE-FB4-208R3NE	16					
215	65mm	SRE-FB4-65MMR3XP	SRE-FB4-65MMR3NE	25	41,590	52,830	1500	2150	2150
	70mm	SRE-FB4-70MMR3XP	SRE-FB4-70MMR3NE	25					
	75mm	SRE-FB4-75MMR3XP	SRE-FB4-75MMR3NE	24					
	2-11/16	SRE-FB4-211R3XP	SRE-FB4-211R3NE	25					
	2-3/4	SRE-FB4-212R3XP	SRE-FB4-212R3NE	25					
218	80mm	SRE-FB4-80MMR3XP	SRE-FB4-80MMR3NE	32	62,950	83,180	1250	1600	1600
	85mm	SRE-FB4-85MMR3XP	SRE-FB4-85MMR3NE	32					
	90mm	SRE-FB4-90MMR3XP	SRE-FB4-90MMR3NE	32					
	3-7/16	SRE-FB4-307R3XP	SRE-FB4-307R3NE	32					
220	3-1/2	SRE-FB4-308R3XP	SRE-FB4-308R3NE	32	84,300	112,400	1100	1350	1350
	100mm	SRE-FB4-100MMR3XP	SRE-FB4-100MMR3NE	43					
	3-15/16	SRE-FB4-315R3XP	SRE-FB4-315R3NE	43					
	4	SRE-FB4-400R3XP	SRE-FB4-400R3NE	43					

Note: \* For load ratings in Newtons, multiply Lbs by 4.44.

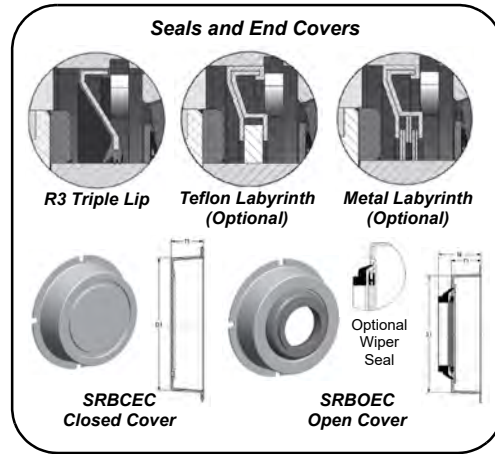
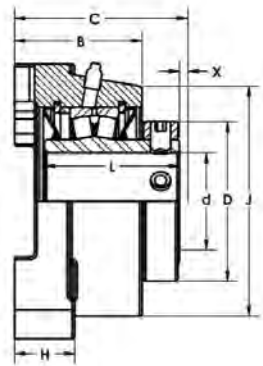
### Optional Teflon Seals & End Covers 208-213 Sizes (215-220 continued on next page)

Housing Size	Shaft Size d	Units with Teflon Seals		Open End Cover Components		Closed End Cover Part No.	Dimensions (mm)/(in)		
		Part No. Expansion	Part No. Non-Expansion	Open End Cover Part No.	Wiper Seal Part No.		D1	T1	T2
208	30mm	SRE-FB4-30MRTLXP	SRE-FB4-30MRTLNE	SRBOEC208-30MM	—	SRBCEC208	76	24	34
	35mm	SRE-FB4-35MRTLXP	SRE-FB4-35MRTLNE	SRBOEC208-35MM	—		3.0	0.9	1.3
	1-7/16	SRE-FB4-107TLXP	SRE-FB4-107TLNE	SRBOEC208-23	LER17DC				
209	40mm	SRE-FB4-40MRTLXP	SRE-FB4-40MRTLNE	SRBOEC209-40MM	—	SRBCEC209	86	28	38
	45mm	SRE-FB4-45MRTLXP	SRE-FB4-45MRTLNE	SRBOEC209-45MM	—		3.4	1.1	1.5
	1-1/2	SRE-FB4-108TLXP	SRE-FB4-108TLNE	SRBOEC209-24	LER20DC				
	1-11/16	SRE-FB4-111TLXP	SRE-FB4-111TLNE	SRBOEC209-27					
210	50mm	SRE-FB4-50MRTLXP	SRE-FB4-50MRTLNE	SRBOEC210-50MM	—	SRBCEC210	91	24	34
	1-3/4	SRE-FB4-112TLXP	SRE-FB4-112TLNE	SRBOEC209-28	LER24DC				
	1-15/16	SRE-FB4-115TLXP	SRE-FB4-115TLNE	SRBOEC210-31					
211	2	SRE-FB4-200TLXP	SRE-FB4-200TLNE	SRBOEC210-32		3.6	0.9	1.3	
	55mm	SRE-FB4-55MRTLXP	SRE-FB4-55MRTLNE	SRBOEC211-55MM	—	SRBCEC211	102	28	38
213	2-3/16	SRE-FB4-203TLXP	SRE-FB4-203TLNE	SRBOEC211-35	LER29DC			4.0	1.1
	60mm	SRE-FB4-60MRTLXP	SRE-FB4-60MRTLNE	SRBOEC213-60MM	—	SRBCEC213	122	28	41
213	2-7/16	SRE-FB4-207TLXP	SRE-FB4-207TLNE	SRBOEC213-39	LER37DC			4.8	1.1
	2-1/2	SRE-FB4-208TLXP	SRE-FB4-208TLNE	SRBOEC213-40					

Note: Open End Covers include the steel cover and internal double lip shaft seal. The Wiper Seal is optional and may be ordered separately.

# SRE Spherical Roller Bearings

## SRE-FB4 Series 4-Bolt Flange



Housing Size	Shaft Size d	Dimensions (mm) / (in)										
		A	B	C	D	E	F Bolt	H	J	K	L	X Expansion
208	30mm 35mm	117.5	63.5	83.1	59.5	88.9	M14	26.9	98.4	125.7	69.9	4mm
	1-7/16	4.63	2.50	3.27	2.38	3.5	1/2	1.06	3.88	4.95	2.75	0.16
209	40mm 45mm	136.5	67.5	90.7	66.8	104.8	M14	30.2	108	148	73.0	6mm
	1-1/2 1-11/16	5.38	2.66	3.57	2.63	4.13	1/2	1.19	4.3	5.83	2.88	0.24
210	50mm	142.9	69.9	92.7	73.2	111.1	M14	30.2	114	157.2	73.0	6mm
	1-3/4 1-15/16 2	5.63	2.75	3.65	2.88	4.38	1/2	1.19	4.5	6.19	2.88	0.24
211	55mm	158.8	73.4	98.3	83	123.8	M16	33.3	124	175	79.4	6mm
	2-3/16	6.30	2.89	3.87	3.25	4.88	5/8	1.31	4.88	6.89	3.13	0.24
213	60mm	174.63	81	104.6	101.6	136.5	M16	38.1	146.1	193	85.7	6mm
	2-7/16 2-1/2	6.88	3.19	4.12	4.00	5.38	5/8	1.50	5.75	7.60	3.38	0.24
215	65mm 70mm 75mm	196.85	88.9	118.11	114.3	152.4	M20	41.4	165.1	215.65	92.1	6mm
	2-11/16 2-3/4 2-15/16 3	7.75	3.50	4.65	4.50	6.00	3/4	1.63	6.50	8.49	3.63	0.24
218	80mm 85mm 90mm	235	103.2	130.8	130.3	177.8	M20	45.97	193.7	251.5	102.4	6mm
	3-7/16 3-1/2	9.25	4.06	5.15	5.13	7.00	3/4	1.81	7.63	9.90	4.03	0.24
220	100mm	260.35	117.5	151.9	152.4	196.85	M22	53.9	214.3	278.4	116.6	7mm
	3-15/16 4	10.25	4.63	5.98	6.00	7.75	7/8	2.13	8.44	10.96	4.59	0.28

### Optional Teflon Seals & End Covers 215-220 Sizes (208-213 on previous page)

Housing Size	Shaft Size d	Single Collar Units with Teflon Seals		Open End Cover Components		Closed End Cover Part No.	Dimensions (mm)/(in)		
		Part No. Expansion	Part No. Non-Expansion	Open End Cover Part No.	Wiper Seal Part No.		D1	T1	T2
215	65mm	SRE-FB4-65MMLXP	SRE-FB4-65MMLNE	SRBOEC215-65MM	—	SRBCEC215	132.1	32.5	47.2
	70mm	SRE-FB4-70MMLXP	SRE-FB4-70MMLNE	SRBOEC215-70MM	LER44DC				
	75mm	SRE-FB4-75MMLXP	SRE-FB4-75MMLNE	SRBOEC215-75MM	LER53DC				
	2-11/16	SRE-FB4-211TLXP	SRE-FB4-211TLNE	SRBOEC215-43	LER44DC	5.2	1.28	1.86	
	2-3/4	SRE-FB4-212TLXP	SRE-FB4-212TLNE	SRBOEC215-44	LER53DC				
2-15/16	SRE-FB4-215TLXP	SRE-FB4-215TLNE	SRBOEC215-47	LER53DC					
218	80mm	SRE-FB4-80MMLXP	SRE-FB4-80MMLNE	SRBOEC218-80MM	—	SRBCEC218	160	32.5	45.5
	85mm	SRE-FB4-85MMLXP	SRE-FB4-85MMLNE	SRBOEC218-85MM	LER102DC				
	90mm	SRE-FB4-90MMLXP	SRE-FB4-90MMLNE	SRBOEC218-90MM	LER102DC				
	3-7/16	SRE-FB4-307TLXP	SRE-FB4-307TLNE	SRBOEC218-55	LER102DC	6.3	1.28	1.79	
	3-1/2	SRE-FB4-308TLXP	SRE-FB4-308TLNE	SRBOEC218-56	LER102DC				
220	100mm	SRE-FB4-100MMLXP	SRE-FB4-100MMLNE	SRBOEC220-100MM	LER109DC	SRBCEC220	180.3	38.1	54.1
	3-15/16	SRE-FB4-315TLXP	SRE-FB4-315TLNE	SRBOEC220-63	LER109DC				
	4	SRE-FB4-400TLXP	SRE-FB4-400TLNE	SRBOEC220-64	LER109DC				

Note: Open End Covers include the steel cover and internal double lip shaft seal. The Wiper Seal is optional and may be ordered separately.

# SRE Spherical Roller Bearings

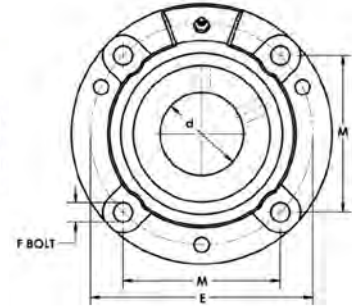


## SRE-FC Series 4-Bolt Piloted Flange

- Piloted 4-Bolt Flange Design
- Single Locking Collar
- Ductile Iron Housing
- Interchanges with Tapered E-Series Expansion & Non-Expansion Units
- Self-Aligning (+/- 1-1/2°)
- Triple Lip Seals
- Teflon Seals & End Cover Options



Models Available



Housing Size	Shaft Size d	Single Locking Collar Pillow Block			Basic Dynamic Load Rating C (Lbs)*	Basic Static Load Rating Co (Lbs)*	Max Speed (RPM) Triple Lip Grease	Max Speed (RPM) Teflon Labyrinth	Max Speed (RPM) Metal Labyrinth
		Part No. Expansion	Part No. Non-Expansion	Wt. Lb.					
208	30mm	SRE-FC-30MMR3XP	SRE-FC-30MMR3NE	5	17,540	20,230	2750	3600	3600
	35mm	SRE-FC-35MMR3XP	SRE-FC-35MMR3NE	5					
	1-7/16	SRE-FC-107R3XP	SRE-FC-107R3NE	5					
209	40mm	SRE-FC-40MMR3XP	SRE-FC-40MMR3NE	8	17,980	21,360	2425	3360	3360
	45mm	SRE-FC-45MMR3XP	SRE-FC-200R3NE	8					
	1-1/2	SRE-FC-108R3XP	SRE-FC-108R3NE	5					
210	1-11/16	SRE-FC-111R3XP	SRE-FC-111R3NE	8	20,230	24,730	2225	3180	3180
	50MM	SRE-FC-50MMR3XP	SRE-FC-50MMR3NE	9					
	1-3/4	SRE-FC-112R3XP	SRE-FC-112R3NE	8					
211	1-15/16	SRE-FC-115R3XP	SRE-FC-115R3NE	9	23,600	28,100	2000	2800	2800
	2	SRE-FC-200R3XP	SRE-FC-200R3NE	9					
	55mm	SRE-FC-55MMR3XP	SRE-FC-55MMR3NE	12					
213	2-3/16	SRE-FC-203R3XP	SRE-FC-203R3NE	12	37,090	46,090	1700	2360	2360
	60mm	SRE-FC-60MMR3XP	SRE-FC-60MMR3NE	16					
	2-7/16	SRE-FC-207R3XP	SRE-FC-207R3NE	16					
215	2-1/2	SRE-FC-208R3XP	SRE-FC-208R3NE	16	41,590	52,830	1500	2150	2150
	65mm	SRE-FC-65MMR3XP	SRE-FC-65MMR3NE	25					
	70mm	SRE-FC-70MMR3XP	SRE-FC-70MMR3NE	25					
218	75mm	SRE-FC-75MMR3XP	SRE-FC-75MMR3NE	24	62,950	83,180	1250	1600	1600
	2-11/16	SRE-FC-211R3XP	SRE-FC-211R3NE	25					
	2-3/4	SRE-FC-212R3XP	SRE-FC-212R3NE	25					
220	2-15/16	SRE-FC-215R3XP	SRE-FC-215R3NE	24	84,300	112,400	1100	1350	1350
	3	SRE-FC-300R3XP	SRE-FC-300R3NE	24					
	80mm	SRE-FC-80MMR3XP	SRE-FC-80MMR3NE	32					
218	85mm	SRE-FC-85MMR3XP	SRE-FC-85MMR3NE	32	62,950	83,180	1250	1600	1600
	90mm	SRE-FC-90MMR3XP	SRE-FC-90MMR3NE	32					
	3-7/16	SRE-FC-307R3XP	SRE-FC-307R3NE	32					
220	3-1/2	SRE-FC-308R3XP	SRE-FC-308R3NE	32	84,300	112,400	1100	1350	1350
	100mm	SRE-FC-100MMR3XP	SRE-FC-100MMR3NE	43					
	3-15/16	SRE-FC-315R3XP	SRE-FC-315R3NE	43					
220	4	SRE-FC-400R3XP	SRE-FC-400R3NE	43	84,300	112,400	1100	1350	1350

Note: \* For load ratings in Newtons, multiply Lbs by 4.44.

## Optional Teflon Seals & End Covers 208-213 Sizes (215-220 continued on next page)

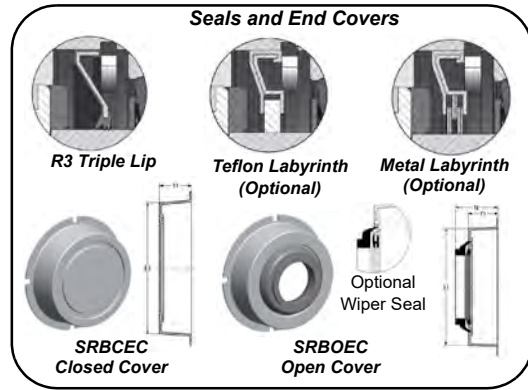
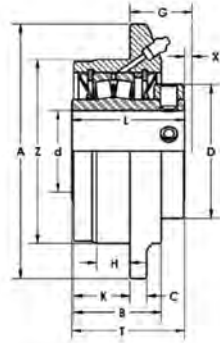
Housing Size	Shaft Size d	Units with Teflon Seals		Open End Cover Components		Closed End Cover Part No.	Dimensions (mm)/(in)
		Part No. Expansion	Part No. Non-Expansion	Open End Cover Part No.	Wiper Seal Part No.		
208	30mm	SRE-FC-30MRTLXP	SRE-FC-30MRTLNE	SRBOEC208-30MM	—	SRBCEC208	34
	35mm	SRE-FC-35MRTLXP	SRE-FC-35MRTLNE	SRBOEC208-35MM	—		1.3
	1-7/16	SRE-FC-107TLXP	SRE-FC-107TLNE	SRBOEC208-23	LER17DC		1.3
209	40mm	SRE-FC-40MRTLXP	SRE-FC-40MRTLNE	SRBOEC209-40MM	—	SRBCEC209	38
	45mm	SRE-FC-45MRTLXP	SRE-FC-200TLNE	SRBOEC209-45MM	—		1.5
	1-1/2	SRE-FC-108TLXP	SRE-FC-108TLNE	SRBOEC208-24	LER20DC		1.5
210	1-11/16	SRE-FC-111TLXP	SRE-FC-111TLNE	SRBOEC209-27	—	SRBCEC210	34
	50mm	SRE-FC-50MRTLXP	SRE-FC-50MRTLNE	SRBOEC210-50MM	—		1.3
	1-3/4	SRE-FC-200TLXP	SRE-FC-200TLNE	SRBOEC210-31	LER24DC		1.3
211	1-15/16	SRE-FC-115TLXP	SRE-FC-115TLNE	SRBOEC210-32	—	SRBCEC211	38
	55mm	SRE-FC-55MRTLXP	SRE-FC-55MRTLNE	SRBOEC211-55MM	—		1.5
	2-3/16	SRE-FC-203TLXP	SRE-FC-203TLNE	SRBOEC211-35	LER29DC		1.5
213	60mm	SRE-FC-60MRTLXP	SRE-FC-60MRTLNE	SRBOEC213-60MM	—	SRBCEC213	41
	2-7/16	SRE-FC-207TLXP	SRE-FC-207TLNE	SRBOEC213-39	LER37DC		1.6
	2-1/2	SRE-FC-208TLXP	SRE-FC-208TLNE	SRBOEC213-40	—		1.6

Note: Open End Covers include the steel cover and internal double lip shaft seal. The Wiper Seal is optional and may be ordered separately.

# SRE Spherical Roller Bearings



## SRE-FC Series 4Bolt Piloted Flange



Housing Size	Shaft Size d	Dismount Thread	Dimensions (mm) / (in)													
			A	B	C	D	E	F Bolt	G	H	K	L	M	T	X Expansion	Z (+0.000 -0.002)
208	30mm	5/16-18	133.4	79.5	12.7	60.5	111.1	M10	40.1	19	33.3	69.9	75.6	—	0.16	—
	35mm		5.25	3.13	0.50	2.38	4.375	3/8	1.58	0.75	1.31	2.75	3.094	—	4mm	3.625
209	40mm	5/16-18	155.7	63.5	12.7	66.8	130.2	M12	41.9	22.4	40.4	73.2	92.1	—	0.24	107.95
	45mm		6.13	2.50	0.50	2.63	5.125	7/16	1.65	0.88	1.59	2.88	3.625	—	6mm	4.250
210	50mm	5/16-18	162.1	63.5	14.3	73.0	136.5	M12	41.1	22.2	41.4	73	96.5	—	0.24	113.3
	55mm		6.38	2.50	0.56	2.88	5.375	7/16	1.62	0.88	1.63	2.88	3.800	3.24	6mm	4.500
211	60mm	5/16-18	181.0	62	14.2	82.5	152.4	M12	46.7	25.4	38.1	79.4	4.24	3.3	0.24	127
	65mm		7.13	2.44	0.56	3.25	6.000	1/2	1.84	1.00	1.50	3.13	4.242	3.34	6mm	5.000
213	70mm	7/16-14	193.7	66.7	15.9	101.6	165.1	M12	47.5	25.4	42.9	85.7	117.71	90.3	0.24	127
	75mm		7.63	2.63	0.63	4.00	6.500	1/2	1.87	1.00	1.69	3.38	4.595	3.56	6mm	5.500
215	80mm	7/16-14	222	79.4	19	114.3	190.5	M16	5.2	31.8	50.8	92.1	134.7	103	0.24	162.9
	85mm		8.75	3.13	0.75	4.50	7.500	5/8	2.06	1.25	2.00	3.63	5.302	4.06	6mm	6.375
218	90mm	7/16-14	260	81	23.8	130.2	219.1	M20	64.9	31.75	44.5	102.4	154.9	109.3	0.24	187.3
	95mm		10.25	3.19	0.94	5.13	8.625	3/4	2.55	1.25	1.75	4.03	6.098	4.30	6mm	7.375
220	100mm	1/2-13	276	92	25.4	152.4	238.1	M20	74.2	38.1	50.8	116.6	168.4	125	0.28	206.4
	105mm		10.88	3.63	1.00	6.00	9.375	3/4	2.92	1.50	2.00	4.59	6.63	4.92	7mm	8.125

### Optional Teflon Seals & End Covers 215-220 Sizes (208-213 sizes on previous page)

Housing Size	Shaft Size d	Units with Teflon Seals		Open End Cover Components		Closed End Cover Part No.	Dimensions (mm) (in)		
		Part No. Expansion	Part No. Non-Expansion	Open End Cover Part No.	Wiper Seal Part No.		D1	T1	T2
215	65mm	SRE-FC-65MMLXP	SRE-FC-65MMLNE	SRBOEC215-65MM	—	SRBCEC215	132.1	32.5	47.2
	70mm	SRE-FC-70MMLXP	SRE-FC-70MMLNE	SRBOEC215-70MM	LER44DC				
	75mm	SRE-FC-75MMLXP	SRE-FC-75MMLNE	SRBOEC215-75MM	LER53DC				
	2-11/16	SRE-FC-211TLXP	SRE-FC-211TLNE	SRBOEC215-43	LER44DC	5.2	1.28	1.86	
	2-3/4	SRE-FC-212TLXP	SRE-FC-212TLNE	SRBOEC215-44	LER53DC				
	2-15/16	SRE-FC-215TLXP	SRE-FC-215TLNE	SRBOEC215-47	LER53DC				
3	SRE-FC-300TLXP	SRE-FC-300TLNE	SRBOEC215-48	—	SRBCEC218	160	32.5	45.5	
80mm	SRE-FC-80MMLXP	SRE-FC-80MMLNE	SRBOEC218-80MM	—					
85mm	SRE-FC-85MMLXP	SRE-FC-85MMLNE	SRBOEC218-85MM	LER102DC					
218	90mm	SRE-FC-90MMLXP	SRE-FC-90MMLNE	SRBOEC218-90MM	—	SRBCEC218	160	32.5	45.5
	3-7/16	SRE-FC-307TLXP	SRE-FC-307TLNE	SRBOEC218-55	LER102DC				
220	3-1/2	SRE-FC-308TLXP	SRE-FC-308TLNE	SRBOEC218-56	—	SRBCEC220	180.3	38.1	54.1
	100mm	SRE-FC-100MMLXP	SRE-FC-100MMLNE	SRBOEC220-100MM	LER109DC				
220	3-15/16	SRE-FC-400TLXP	SRE-FC-400TLNE	SRBOEC220-63	LER109DC	SRBCEC220	180.3	38.1	54.1

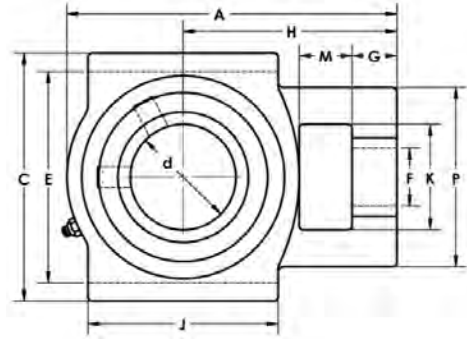
Note: Open End Covers include the steel cover and internal double lip shaft seal. The Wiper Seal is optional and may be ordered separately.

# SR2200 Spherical Roller Bearings



## SR2-WSTU Series Wide Slot Take-Up Units

Ductile Iron Housing  
Interchanges with Spherical Series  
Medium Duty  
Expansion & Non-Expansion Units  
Self-Aligning (+/- 1-1/2°)  
Set Screw Locking  
Triple Lip Seals  
Teflon Seals & End Cover Options



Models Available

Housing Size	Shaft Size d	Part No. Expansion	Part No. Non-Expansion	Wt. Lb	Basic Dynamic Load Rating C (Lbs)*	Basic Static Load Rating Co (Lbs)*	Max Speed (RPM) Triple Lip Grease	Max Speed (RPM) Teflon Labyrinth	Max Speed (RPM) Metal Labyrinth
210	50mm	SR2-WSTU-50MMR3XP	SR2-WSTU-50MMR3NE	10.0	20,230	24,730	2225	3180	3150
	1-15/16	SR2-WSTU-115R3XP	SR2-WSTU-115R3NE	10.0					
	2	SR2-WSTU-200R3XP	SR2-WSTU-200R3NE	10.0					
211	55mm	SR2-WSTU-55MMR3XP	SR2-WSTU-55MMR3NE	13.0	23,600	28,100	2000	2700	2800
	2-3/16	SR2-WSTU-203R3XP	SR2-WSTU-203R3NE	13.0					
213	60mm	SR2-WSTU-60MMR3XP	SR2-WSTU-60MMR3NE	17.0	37,090	46,090	1700	2160	2300
	2-7/16	SR2-WSTU-207R3XP*	SR2-WSTU-207R3NE*	17.0					
	2-1/2	SR2-WSTU-208R3XP	SR2-WSTU-208R3NE	17.0					
215	65mm	SR2-WSTU-65MMR3XP	SR2-WSTU-65MMR3NE	28.0	41,590	52,830	1500	2040	2150
	70mm	SR2-WSTU-70MMR3XP	SR2-WSTU-70MMR3NE	28.0					
	75mm	SR2-WSTU-75MMR3XP	SR2-WSTU-75MMR3NE	28.0					
	2-11/16	SR2-WSTU-211R3XP	SR2-WSTU-211R3NE	28.0					
	2-3/4	SR2-WSTU-212R3XP	SR2-WSTU-212R3NE	28.0					
	2-15/16	SR2-WSTU-215R3XP*	SR2-WSTU-215R3NE*	27.0					
218	80mm	SR2-WSTU-80MMR3XP	SR2-WSTU-80MMR3NE	50.0	62,950	83,180	1250	1560	1600
	85mm	SR2-WSTU-85MMR3XP	SR2-WSTU-85MMR3NE	50.0					
	90mm	SR2-WSTU-90MMR3XP	SR2-WSTU-90MMR3NE	50.0					
	3-7/16	SR2-WSTU-307R3XP*	SR2-WSTU-307R3NE*	50.0					
	3-1/2	SR2-WSTU-308R3XP	SR2-WSTU-308R3NE	50.0					

Note: \* For load ratings in Newtons, multiply Lbs by 4.44. Double locking collar units other than those listed are available from production. Contact PTI.

## Optional Teflon Seals & End Covers 210-213 Sizes (215-218 Continued on next page)

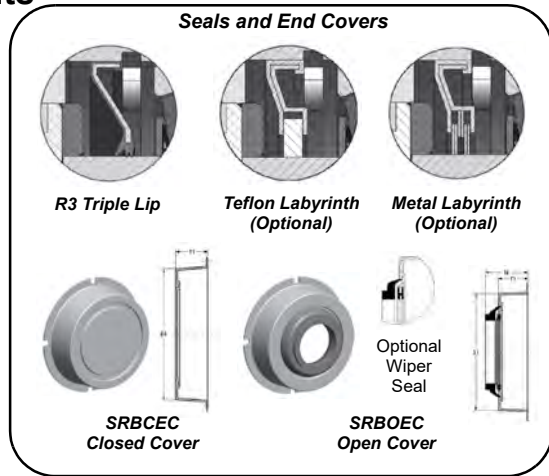
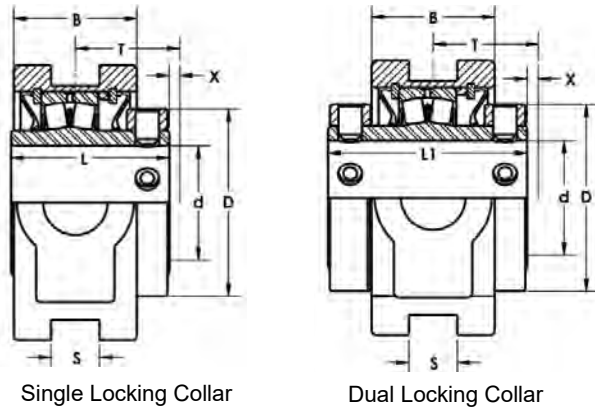
Housing Size	Shaft Size d	Units with Teflon Seals		Open End Cover Components		Closed End Cover Part No.	Dimensions (mm)/(in)		
		Part No. Expansion	Part No. Non-Expansion	Open End Cover Part No.	Wiper Seal Part No.		D1	T1	T2
210	50mm	SR2-WSTU-50MRTLXP	SR2-WSTU-50MRTLNE	SRBOEC210-50MM	LER24DC	SRBCEC210	91	24	34
	1-15/16	SR2-WSTU115TLXP	SR2-WSTU-115TLNE	SRBOEC210-31			3.6	0.9	1.3
	2	SR2-WSTU200TLXP	SR2-WSTU-200TLNE	SRBOEC210-32					
211	55mm	SR2-WSTU-55MRTLXP	SR2-WSTU-55MRTLNE	SRBOEC211-55MM	LER29DC	SRBCEC211	102	28	38
	2-3/16	SR2-WSTU-203TLXP	SR2-WSTU-203TLNE	SRBOEC211-35			4.0	1.1	1.5
213	60mm	SR2-WSTU-60MRTLXP	SR2-WSTU-60MRTLNE	SRBOEC213-60MM	—	SRBBCEC213	122	28	41
	2-7/16	SR2-WSTU-207TLXP	SR2-WSTU-207TLNE	SRBOEC213-39	LER37DC		4.8	1.1	1.6
	2-1/2	SR2-WSTU-208TLXP	SR2-WSTU-208TLNE	SRBOEC213-40	LER37DC				

Note: Open End Covers include the steel cover and internal double lip shaft seal. The Wiper Seal is optional and be ordered separately.

# SR2200 Spherical Roller Bearings



## SR2-WSTU Series Wide Slot Take Up Units



Housing Size	Shaft Size d	Dimensions (in)															
		A	B	C	D	E	F Bolt	G	H	J	K	L	M	P	S	T	X Expansion
210	50mm	166.6	62	121	73.0	101.6	25.4	25	100	95	49	73.2	19	84	17.47	50.8	6mm
	1-15/16 2	6.56	2.44	4.75	2.88	4.000	1.000	0.94	3.94	3.75	1.94	2.88	0.75	3.31	0.688	2.00	0.24
211	55mm	181.1	62	133	82.5	114.30	28.5	25	118	95.00	57	79.4	25	99	20.65	55.4	6mm
	2-3/16	7.13	2.44	5.25	3.25	4.500	1.188	1.00	4.63	3.75	2.25	3.13	1.00	3.88	0.813	2.18	0.24
213	60mm	198.4	67	149	101.6	127.0	31.8	27	129	114	63	85.7	31.7	108	26.18	56.9	6mm
	2-7/16 2-1/2	7.81	2.63	5.88	4.00	5.000	1.313	1.06	5.06	4.50	2.50	3.38	1.25	4.25	1.031	2.24	0.24
215	65mm	231.9	76	170	114.3	149.22	38.100	29	149	120	70	92.2	31.7	124	45.23	63.3	6mm
	70mm																
	75mm																
218	80mm	260	87	198	130.2	173.05	41.3	27	162	152	73	102	41.4	124	45.23	68.8	6mm
	85mm																
	90mm																
218	3-7/16 3-1/2	10.25	3.44	7.81	5.13	6.813	1.688	1.06	6.38	6.00	2.88	4.03	1.63	4.88	1.781	2.71	0.24

### Optional Teflon Seals & End Covers 215-218 Sizes (210-213 on previous page)

Housing Size	Shaft Size d	Units with Teflon Seals		Open End Cover Components		Closed End Cover Part No.	Dimensions (mm) (in)		
		Part No. Expansion	Part No. Non-Expansion	Open End Cover Part No.	Wiper Seal Part No.		D1	T1	T2
215	65mm	SR2-WSTU-65MMLXP	SR2-WSTU-65MMLNE	SRBOEC-65MM	—	SRBCEC215	132.1	32.5	47.2
	70mm	SR2-WSTU-70MMLXP	SR2-WSTU-70MMLNE	SRBOEC215-70MM	LER44DC				
	75mm	SR2-WSTU-75MMLXP	SR2-WSTU-75MMLNE	SRBOEC215-75MM	LER53DC				
215	2-11/16	SR2-WSTU-211TLXP	SR2-WSTU-211TLNE	SRBOEC215-43	LER44DC	SRBCEC215	5.2	1.28	1.86
	2-3/4	SR2-WSTU-212TLXP	SR2-WSTU-212TLNE	SRBOEC215-44	LER53DC				
	2-15/16 3	SR2-WSTU-215TLXP	SR2-WSTU-215TLNE	SRBOEC215-47	LER53DC				
218	80mm	SR2-WSTU-80MMLXP	SR2-WSTU-80MMLNE	SRBOEC218-80MM	—	SRBCEC218	160	32.5	45.5
	85mm	SR2-WSTU-85MMLXP	SR2-WSTU-85MMLNE	SRBOEC218-85MM	LER102DC				
	90mm	SR2-WSTU-90MMLXP	SR2-WSTU-90MMLNE	SRBOEC218-90MM	LER102DC				
218	3-7/16	SR2-WSTU-307TLXP	SR2-WSTU-307TLNE	SRBOEC218-55	LER102DC	SRBCEC218	6.3	1.28	1.79
	3-1/2	SR2-WSTU-308TLXP	SR2-WSTU-308TLNE	SRBOEC218-56	LER102DC				

Note: Open End Covers include the steel cover and internal double lip shaft seal. The Wiper Seal is optional and may be ordered separately.

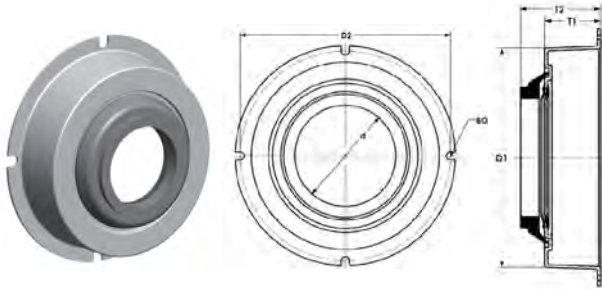




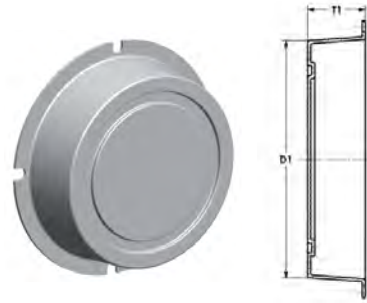
# SRE & SR2200 Spherical Roller Bearings



## Open & Closed End Covers



Open End Cover (OEC) with Optional Wiper Seal



Closed End Cover (CEC)

Housing	Shaft Size d	SRE Open End Cover Components		SR2200 Open End Cover Components		Closed End Cover Part No.	Dimensions (in)				Cap Bolt	Wt. Lbs					
		Open End Cover Part No.	Wiper Seal Part No. (Optional)	Open End Cover Part No.	Wiper Seal Part No. (Optional)		D1	D2	T1	T2							
208	30mm	SRBOEC208-30MM	—	SRBOEC208-30MM	—	SRBCEC208	76	88	24	34	10-24	0.2					
	35mm	SRBOEC208-35MM	—	SRBOEC208-35MM	—		3.0	3.46	0.9	1.3							
	1-7/16	SRBOEC208-23	LER17DC	SRBOEC208-23	LER17DC		SRBCEC209	86	96	28			38				
	1-1/2	—	—	SRBOEC208-24	LER17DC												
209	40mm	SRBOEC209-40MM	—	SRBOEC209-40MM	—	SRBCEC209	3.4	3.78	1.1	1.5	10-24	0.3					
	45mm	SRBOEC209-45MM	—	SRBOEC209-45MM	—												
	1-1/2	SRBOEC209-24	LER17DC	SRBOEC209-27	LER20DC												
	1-11/16	SRBOEC209-27	LER20DC	SRBOEC209-28	LER20DC												
210	50mm	SRBOEC210-50MM	—	SRBOEC210-50MM	—	SRBCEC210	91	104	24	34	1/4-20	0.4					
	1-3/4	SRBOEC210-28	LER20DC	—	—		SRBCEC211	4.0	4.49	1.1			1.5				
	1-15/16	SRBOEC210-31	LER24DC	SRBOEC210-31	LER24DC												
	2	SRBOEC210-32	LER24DC	SRBOEC210-32	LER24DC												
211	55mm	SRBOEC211-55MM	—	SRBOEC211-55MM	—	SRBCEC213	102	114	28	38	1/4-20	0.5					
	2-3/16	SRBOEC211-35	LER29DC	SRBOEC211-35	LER29DC												
213	60mm	SRBOEC213-60MM	—	SRBOEC213-60MM	—	SRBCEC215	122	133	28	41	1/4-20	0.6					
	2-7/16	SRBOEC215-70MM	—	SRBOEC215-70MM	—		SRBCEC218	6.3	6.95	1.28			1.79				
		2-1/2	SRBOEC215-75MM	—	SRBOEC215-75MM									—			
215	70mm	SRBOEC215-70MM	—	SRBOEC215-70MM	—	SRBCEC220	7.10	7.70	1.50	2.13	1/4-20	0.8					
	75mm	SRBOEC215-75MM	—	SRBOEC215-75MM	—												
	2-11/16	SRBOEC215-43	LER44DC	SRBOEC215-43	LER44DC												
	2-3/4	SRBOEC215-44	LER44DC	SRBOEC215-44	LER44DC												
218	80mm	SRBOEC215-47	LER53DC	SRBOEC215-47	LER53DC	SRBCEC222	201	234	41.4	53.6	5/16-18	1.0					
		SRBOEC215-48	LER53DC	SRBOEC215-48	LER53DC												
	85mm	SRBOEC218-80MM	—	SRBOEC218-80MM	—								SRBCEC226	229	272	41.4	58.7
	90mm	SRBOEC218-85MM	—	SRBOEC218-85MM	—												
220	3-7/16	SRBOEC218-55	LER102DC	SRBOEC218-55	LER102DC	SRBCEC226	9.0	10.71	1.63	2.31	5/16-18	1.2					
	3-1/2	SRBOEC218-56	LER102DC	SRBOEC218-56	LER102DC												
222	100mm	SRBOEC220-100MM	—	SRBOEC220-100MM	—	SRBCEC226	9.0	10.71	1.63	2.31	5/16-18	1.2					
	3-15/16	SRBOEC222-63	LER109DC	SRBOEC222-63	LER109DC												
		4	SRBOEC222-64	LER109DC	SRBOEC222-64								LER109DC				
226	110mm	SRBOEC222-110MM	—	SRBOEC222-110MM	—	SRBCEC226	9.0	10.71	1.63	2.31	5/16-18	1.2					
	4-7/16	SRBOEC226-79	LER122DC	SRBOEC226-79	LER122DC												
226	4-1/2	SRBOEC226-72	LER117DC	SRBOEC226-72	LER117DC	SRBCEC226	9.0	10.71	1.63	2.31	5/16-18	1.2					
	125mm	SRBOEC226-125MM	—	SRBOEC226-125MM	—												
226	4-15/16	SRBOEC226-79	LER122DC	SRBOEC226-79	LER122DC	SRBCEC226	9.0	10.71	1.63	2.31	5/16-18	1.2					
		5	SRBOEC226-80	LER122DC	SRBOEC226-80								LER122DC				

Note: Shaft sizes specific for SRE Series units only

# SAF Split Blocks & Accessories



SAF Type Split Blocks in Cast Iron, Ductile & Steel to 8" shaft Diameter



Spherical Roller Bearings



SDAF Type Split Blocks to 18" Shaft Diameter



PER and Taconite Seal Options



SDAFD Asymmetric Type Split Blocks to 21" Shaft Diameter & Larger Sizes on request



Split LER Seals & Wiper Seals



Spanner Wrenches



Hydraulic Adapter Sleeves & Hydraulic Mechanical Installation Nuts

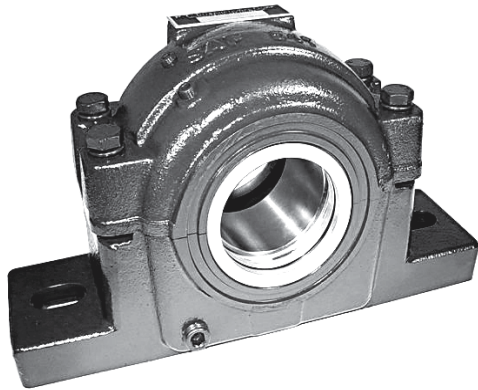


Solid Works 3D Design Templates

# SAF Split Pillow Blocks



## Features and Seal Options



PTI SAF Series Pillow Blocks provide unique features, multiple seal options and are stocked in 3 different housing materials: Cast Iron, Ductile Iron and Cast Steel. These units can handle a variety of application conditions including heavy loads, high and low speeds, grease or oil lube and offer seal options for the most challenging environments. This block is extremely versatile and economical. The SAF Block has industry standard mounting and shaft center height dimensions.

The solid base housing is one of the most robust blocks available. The design includes an internal oil cross-port channel, when oil is used, to ensure balanced oil levels for both sets of rollers. If high speed is a requirement, double row ball bearings can also be used. For oil lubricated systems, large drain holes are standard on each side of the block. The drains accept standard oil site glasses.

Housing caps and bases are paired to ensure a controlled bearing fit; housing match marks are standard. Large pry slots help make access to the bearing easy. Adapter Sleeve type mounting insures a concentric grip of the bearing to the shaft for a smooth vibration free operation.

## Seal Options and Types



LER

Standard LER Seal, Industry standard dimensions for interchangeability.



PER

Standard PER and PER-PTV Seal provides as snug fit on the shaft for a rotating labyrinth. O-ring shaft seal and the PTV lip seal is available as an option.



PER w/ PER - PTV



Split LER



Split LER - Horizontally split seal can be replaced without removing the bearing or housing base.



TER-OS

Standard TER-OS (with Oil Seal) or TER-V (with V-Ring) Taconite Seals fit directly into the standard housing seal grooves. Additional internal Felt seal at shaft and grease purge features for extreme environments.

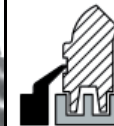


TER-V



LER-DC Dust Cover Wiper Seal

The LER-DC (Dust Cover) Seal fits into the Labyrinth grooves in the housing for added sealing. Tough Durometer fits tight to the shaft.

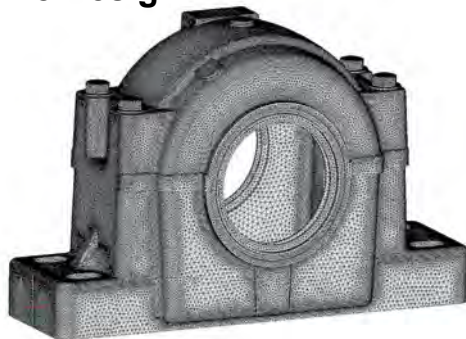


EPR End Cover



EPR End Covers seals one end of the housing when the shaft will not penetrate the opening.

## The Design



Finite Element Analysis "mesh" construction (shown on left) provides the model for analyzing static loads. The Loading model is shown to the right.



# More Split Pillow Blocks & Special Purpose Units



SAF and SDAF blocks for 222, 230, 231 and 232 series spherical roller bearings thru 18" shaft diameter are stock and larger sizes are available on request. Smaller sizes will accommodate double row ball bearings for high speed applications. Ductile Iron and Cast Steel housings are also available, with stock typical on the popular sizes. Each have taconite seals and end cover options.



SDAF Asymmetric Series Split Blocks allow the spherical bearing to be positioned closer to the shaft locking device which reduces the resultant bending moment. Typically these split blocks are used on shaft sizes that exceed 18" diameter. However, smaller units of this asymmetric design are also possible. Housings can be provided in Cast Iron, Ductile Iron or Cast Steel and for 231 and 232 large bore spherical roller bearings. The SE vertical labyrinth sealed units include an internal contact lip seal.



The SNG Metric Plummer blocks interchange with the PTI SNHF series. Some additional seals are available for both the SNG 500 and SNG 600 series (for 222 and 223 series spherical bearings). Like the SAF series, the SNG will accommodate double row ball bearings for high speed applications. With the SNG unit, it will also accommodate 200 series block requirements (direct mount) using felt seals and straight bore spherical bearings. FSSNG 4-Bolt Base units also available. SN 500, 600, 200 and 300 series Metric Blocks are also available from stock.



The S3000 and SD3100 series are both large bore adapter mounted Metric Plummer Blocks, designed for 230 and 231 series Spherical Bearings. The SD units are available in Cast Iron, Ductile and Cast Steel to 380mm shaft diameter. The S3000 blocks are typically Cast Iron and available in Ductile on request and thru 260mm shaft diameter. These blocks are industry standard European Metric designs. Taconite seals and end covers also available.



HSPA Take-Up Units are generally made to order and can be provided in shaft sizes thru 360 mm. Standard units accommodate 230, 222, 231 or 232 series tapered bore spherical bearings. These are normally used in pairs to tension large overland conveyor belt systems. Custom dimensions are possible to accommodate existing guides.



HFO & HFOE units are specifically designed for high speed fans intended for oil lubrication. Internal slingers distribute the oil lubricant evenly. Oil sight glasses are included for monitoring lubrication levels. These units will also accommodate oil circulation systems. Direct mount (straight bore) spherical bearings are the standard units. Housings for taper bore (adapter mount) bearings are available on request. Standard units are normal stock thru 170mm shaft diameters. Larger sizes on request. Housings are typically Cast Iron; Ductile Iron is available on request.

## Custom Housings

PTI will modify existing housings to accommodate special mounting or application requirements. Customized cast housing shapes and features are also possible.



Oil Sight Glass



Optional Thermal Sensors on the name plate allow a quick visual of the operating temperatures. Sensors can be fitted to the name plate.



PTI can provide housings prepared to receive vibration and thermal sensors.



# Split Block Bearings & Accessories



## Spherical Roller & Double Row Ball Bearings



Spherical Roller

Double Row Ball

Spherical Roller Bearings are typically used for heavy loads and lower speeds, while Double Row Ball Bearings are primarily used for lighter loads and higher speeds. PTI offers both for our range of Inch Split Pillow Blocks and Metric Plummer Blocks. Stock Spherical Roller Bearing sizes include 230, 231, 232 & 233 series. Ball Bearing sizes include 1200, 1300, 2200 and 2300 series. Both types are normally lubricated with grease, however oil is typically used for higher speeds. Split Block Housings can also accommodate both lubrication methods depending on seal options. For selection assistance consult PTI.

## Adapter Sleeves - Standard & Hydraulic



Standard Adapter

Hydraulic Adapter

PTI stocks all of the standard inch and metric bore adapters for both tapered bore Spherical Roller Bearings and Double Row Ball Bearings used with standard Split Pillow Blocks and Plummer Blocks.

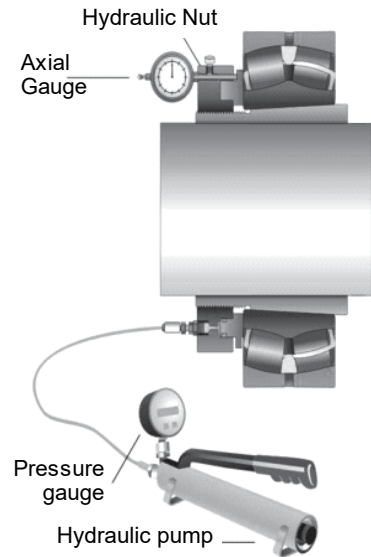
Therefore both H-Series (with inch and metric bores) and SNW Adapters (with inch shaft) sizes are stock. Adapters 7-3/16" and larger will typically be offered as the hydraulic type which includes a provision for the bearing to be removed or adjusted during installation with hydraulic pressure. The hydraulic feature is especially helpful during installation should the initial position of the bearing be incorrect. Hydraulic pressure from a portable pump will loosen the bearing for repositioning.

## Hydraulic Mounting Nuts



HMV..C (metric) & HMV..E (inch) Hydraulic Mounting Nuts are a re-usable tool to assist bearing installation. The face of the nut is a piston that will push on the bearing inner ring as hydraulic pressure develops from a hand pump. This pressure gently pushes the tapered bore bearing onto the tapered adapter, to a final recommended position. The process removes internal clearance from the bearing as the inner ring expands slightly, effectively creating a press fit of the bearing onto the shaft. Mounting large units with Spanner Wrenches can be very difficult and the Hydraulic Nuts makes installation easy. Sizes thru 96 are normal stock. Larger sizes are also possible.

**A Hydraulic Nut rental program is available from PTI.**



## Spanner Wrenches

Spanner Wrenches thru size 44 (8" shaft diameter) are stock. For larger bearings, a Hydraulic Nut should be used to simplify bearing mounting on a tapered adapter.



## Lock-nuts and Lock-washers

Lock-nuts and Lock-washers are available separately for use to secure direct mount straight bore bearings. Lock-nuts can also be customized with Jack Screws and will press on the bearing inner ring to assist bearing mounting. For infrequent mounting, this is an economical tool that will simplify installation.



## Withdrawal Sleeves - Standard & Hydraulic



Standard Withdrawal Sleeve

Hydraulic Withdrawal Sleeve

Withdrawal sleeves are typically available for metric shaft diameters and include threads on the large end of the taper for a locknut to dismount the bearing. The Hydraulic removal feature consists of oil grooves on the sleeve OD and ID to assist both mounting and removal. This feature is suggested for bearings above 200mm bore. Withdrawal sleeves for inch shaft diameters are also available on request.

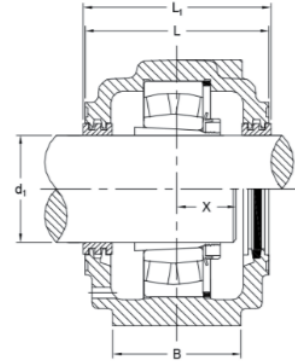
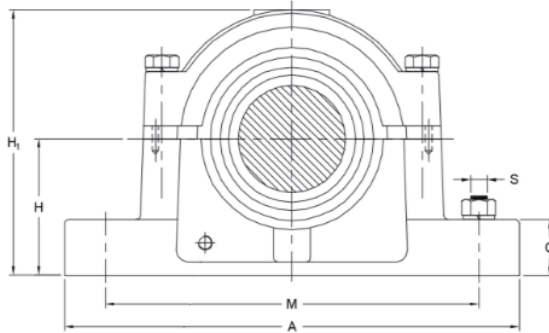
# Pillow Block Housings



## SAF 500 Series

These Pillow Block Housings accept self-aligning ball or spherical roller bearings with adapter sleeves. They are available in Cast Iron (SAF), Ductile (SAFD) or Cast Steel (SAFS). SAF = 2-bolt base, FSAF = 4-bolt base, SAF 522 through SAF 544 only with 4-bolt base. SAF housings are supplied standard with triple

labyrinth LER seals. PER, LER- DC and TER Taconite seals are also available as an option. End covers and taconite seals also available. For fixed bearings use the fixing ring included. For expansion units, remove fixing ring(s).



Models Available

Dimensions in inches

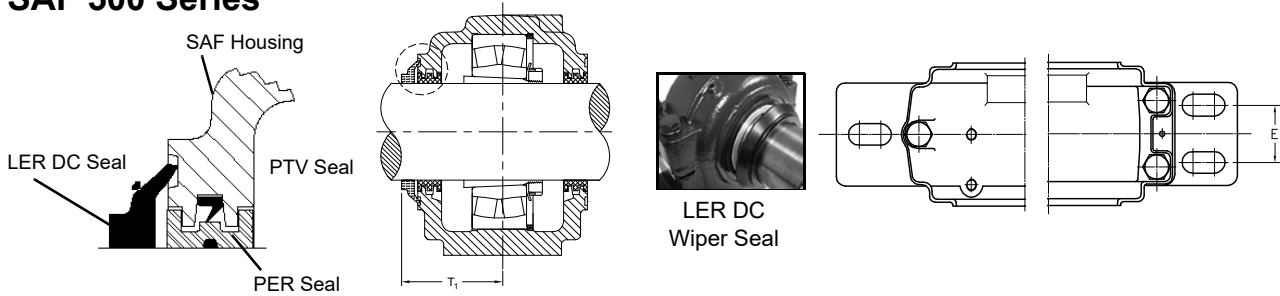
Cast Iron Part No.	Ductile Part No.	Steel Part No.	Shaft Size d <sub>1</sub>	H	H <sub>1</sub>	L	L <sub>1</sub>	A	B	C	M min	M max	E	T*	S Bolt	X	Housing Wt. lb
SAF 505	—	—	3/4	1.500	2.94	2.75	2.88	6.50	1.75	0.69	4.63	5.50	—	—	(2) 1/2	0.81	4.0
SAF 506	—	—	15/16	1.750	3.38	3.06	3.25	7.50	2.00	0.69	5.25	6.13	—	—	(2) 1/2	0.94	6.0
SAF 507	—	—	1-3/16	2.000	3.81	3.19	3.25	7.50	2.00	0.81	5.63	6.13	—	1.59	(2) 1/2	1.00	8.0
SAF 509	SAFD 509	SAFS 509	1-7/16	2.250	4.38	3.44	3.63	8.25	2.38	0.81	6.25	7.00	—	3.03	(2) 1/2	1.00	9.3
SAF 510	SAFD 510	SAFS 510	1-11/16	2.500	4.75	3.44	3.88	8.25	2.38	0.94	6.50	7.00	—	3.25	(2) 1/2	1.06	10.1
SAF 511	SAFD 511	SAFS 511	1-15/16	2.750	5.25	3.75	4.50	9.63	2.75	0.94	7.38	7.88	—	3.38	(2) 5/8	1.09	12.5
SAF 513	SAFD 513	SAFS 513	2-3/16	3.000	5.94	4.25	4.50	11.00	3.13	1.00	8.13	9.50	—	3.63	(2) 5/8	1.28	19.0
FSAF 513	FSAFD 513	FSAFS 513	2-3/16	3.000	5.94	4.25	4.50	11.00	3.13	1.00	8.13	9.50	1.88	3.63	(4) 1/2	1.28	18.3
SAF 515	SAFD 515	SAFS 515	2-7/16	3.250	6.38	4.63	4.75	11.25	3.13	1.13	8.63	9.63	—	3.81	(2) 5/8	1.38	18.3
FSAF 515	FSAFD 515	FSAFS 515	2-7/16	3.250	6.38	4.63	4.75	11.25	3.13	1.13	8.63	9.63	1.88	3.81	(4) 1/2	1.38	17.9
SAF 516	SAFD 516	SAFS 516	2-11/16	3.500	6.88	4.75	4.88	13.00	3.50	1.19	9.63	11.00	—	4.13	(2) 3/4	1.44	27.3
FSAF 516	FSAFD 516	FSAFS 516	2-11/16	3.500	6.88	4.75	4.88	13.00	3.50	1.19	9.63	11.00	2.13	4.13	(4) 5/8	1.44	26.9
SAF 517	SAFD 517	SAFS 517	2-15/16	3.750	7.31	4.81	5.00	13.00	3.50	1.25	9.88	11.00	—	3.91	(2) 3/4	1.53	31.8
FSAF 517	FSAFD 517	FSAFS 517	2-15/16	3.750	7.31	4.81	5.00	13.00	3.50	1.25	9.88	11.00	2.13	3.91	(4) 5/8	1.53	29.8
SAF 518	SAFD 518	SAFS 518	3-3/16	4.000	7.75	5.50	5.75	13.75	3.88	1.31	10.38	11.63	—	4.06	(2) 3/4	1.69	36.6
FSAF 518	FSAFD 518	FSAFS 518	3-3/16	4.000	7.75	5.50	5.75	13.75	3.88	1.31	10.38	11.63	2.13	4.06	(4) 5/8	1.69	37.5
SAF 520	SAFD 520	SAFS 520	3-7/16	4.500	8.75	5.81	6.00	15.25	4.38	1.75	11.63	13.13	—	4.38	(2) 7/8	2.00	52.5
FSAF 520	FSAFD 520	FSAFS 520	3-7/16	4.500	8.75	5.81	6.00	15.25	4.38	1.75	11.63	13.13	2.38	4.38	(4) 3/4	2.00	50.3
SAF 522	SAFD 522	SAFS 522	3-15/16	4.938	9.63	6.44	6.50	16.50	4.75	2.00	12.63	14.50	2.75	4.56	(4) 3/4	2.06	69.2
SAF 524	SAFD 524	SAFS 524	4-3/16	5.250	10.25	7.13	7.38	16.50	4.75	2.13	13.25	14.50	2.75	5.00	(4) 3/4	2.22	71.2
SAF 526	SAFD 526	SAFS 526	4-7/16	6.000	11.50	7.75	8.00	18.38	5.13	2.38	14.63	16.00	3.25	5.31	(4) 7/8	2.38	94.8
SAF 528	SAFD 528	SAFS 528	4-15/16	6.000	11.75	7.38	7.63	20.13	5.88	2.38	16.00	17.13	3.38	5.13	(4) 1	2.50	110.0
SAF 530	SAFD 530	SAFS 530	5-3/16	6.313	12.50	8.13	8.38	21.25	6.25	2.50	17.00	18.25	3.75	5.50	(4) 1	2.72	138.0
SAF 532	SAFD 532	SAFS 532	5-7/16	6.688	13.31	8.50	8.75	22.00	6.25	2.63	17.38	19.25	3.75	5.69	(4) 1	2.94	158.0
SAF 534	SAFD 534	SAFS 534	5-15/16	7.063	14.19	9.25	9.63	24.75	6.75	2.75	19.38	21.63	4.25	5.06	(4) 1	3.09	185.0
SAF 536	SAFD 536	SAFS 536	6-7/16	7.500	14.88	9.63	10.00	26.75	7.13	3.00	20.88	23.63	4.63	5.25	(4) 1	3.13	217.0
SAF 538	SAFD 538	SAFS 538	6-15/16	7.875	15.69	10.50	10.75	28.00	7.50	3.13	21.63	24.38	4.50	5.69	(4) 1-1/4	3.28	285.0
SAF 540	SAFD 540	SAFS 540	7-3/16	8.250	16.50	11.00	11.25	29.50	8.00	3.38	22.50	25.00	5.00	7.06	(4) 1-1/4	3.44	331.0
SAF 544	SAFD 544	SAFS 544	7-15/16	9.500	18.63	11.75	12.00	32.75	8.75	3.75	24.75	27.88	5.25	7.25	(4) 1-1/2	3.81	391.0

Note: \* Width of center line of housing to outside edge of installed Taconite Seal. See SAF Block Accessories.

# Pillow Block Housing Accessories



## SAF 500 Series



Shaft Size * in	Housing Part No.	Bearing Part No.	Adapter		Seals					Fixing Rings		End Cover Part No.
			SNW Type Part No.	H Type Part No.	LER Part No.	LER DC Part No.	PER Part No.	PER-PTV V-Ring	TER Part No.	Part No.	Qty.	
3/4	SAF 505	1205K	SNW05 x 3/4	H205 x 3/4	LER6	—	—	—	—	FR52 x 5	2	—
		2205K	SNW05 x 3/4	H305 x 3/4						FR52 x 7	1	
15/16	SAF 506	1206K	SNW06 x 15/16	H306 x 15/16	LER10	—	—	—	—	FR62 x 7	2	—
		2206K	SNW06 x 15/16	H306 x 15/16						FR62 x 10	1	
1-3/16	SAF 507	1207K	SNW07 x 1-3/16	H207 x 1-3/16	LER14	—	—	—	—	FR72 x 8	2	—
		2207K	SNW07 x 1-3/16	H307 x 1-3/16						FR72 x 10	1	
1-7/16	SAF 509	1209K	SNW09 x 1-7/16	H209 x 1-7/16	LER17	LER17DC	PER17	PER17-PTV	TER17	FR85 x 10	1	EPR03
		2209K	SNW09 x 1-7/16	H309 x 1-7/16						FR85 x 6	1	
		<b>22209K</b>	SNW09 x 1-7/16	H309 x 1-7/16						FR85 x 6	1	
1-11/16	SAF 510	1210K	SNW10 x 1-11/16	H210 x 1-11/16	LER20	LER20DC	PER20	PER20-PTV	TER20	FR90 x 10	1	EPR04
		2210K	SNW10 x 1-11/16	H310 x 1-11/16						FR90 x 7	1	
		<b>22210K</b>	SNW10 x 1-11/16	H310 x 1-11/16						FR90 x 7	1	
1-15/16	SAF 511	1211K	SNW11 x 1-15/16	H211 x 1-15/16	LER24	LER24DC	PER24	PER24-PTV	TER24	FR100 x 10	1	EPR05
		2211K	SNW11 x 1-15/16	H311 x 1-15/16						FR100 x 6	1	
		<b>22211K</b>	SNW11 x 1-15/16	H311 x 1-15/16						FR100 x 6	1	
2-3/16	SAF 513 FSAF 513	1213K	SNW13 x 2-3/16	H213 x 2-3/16	LER29	LER29DC	PER29	PER29-PTV	TER29	FR120 x 8	2	EPR06
		2213K	SNW13 x 2-3/16	H313 x 2-3/16						FR120 x 8	1	
		<b>22213K</b>	SNW13 x 2-3/16	H313 x 2-3/16						FR120 x 8	1	
2-7/16	SAF 515 FSAF 515	1215K	SNW15 x 2-7/16	H215 x 2-7/16	LER37	LER37 DC	PER37	PER37-PTV	TER37	FR130 x 6	2	EPR07
		2215K	SNW15 x 2-7/16	H315 x 2-7/16						FR130 x 6	1	
		<b>22215K</b>	SNW15 x 2-7/16	H315 x 2-7/16						FR130 x 6	1	
2-11/16	SAF 516 FSAF 516	1216K	SNW16 x 2-11/16	H216 x 2-11/16	LER44	LER44 DC	PER44	PER44-PTV	TER44	FR140 x 8.5	2	EPR08
		2216K	SNW16 x 2-11/16	H316 x 2-11/16						FR140 x 10	1	
		<b>22216K</b>	SNW16 x 2-11/16	H316 x 2-11/16						FR140 x 10	1	
2-15/16	SAF 517 FSAF 517	1217K	SNW17 x 2-15/16	H217 x 2-15/16	LER53	LER53 DC	PER53	PER53-PTV	TER53	FR150 x 9	2	EPR09
		2217K	SNW17 x 2-15/16	H317 x 2-15/16						FR150 x 10	1	
		<b>22217K</b>	SNW17 x 2-15/16	H317 x 2-15/16						FR150 x 10	1	
3-3/16	SAF 518 FSAF 518	1218K	SNW18 x 3-3/16	H218 x 3-3/16	LER188	LER188 DC	PER188	PER188-PTV	TER188	FR160 x 10	2	EPR11
		2218K	SNW18 x 3-3/16	H318 x 3-3/16						FR160 x 10	1	
		<b>22218K</b>	SNW18 x 3-3/16	H318 x 3-3/16						FR160 x 10	1	
3-7/16	SAF 520 FSAF 520	1220K	SNW20 x 3-7/16	H220 x 3-7/16	LER102	LER102 DC	PER102	PER102-PTV	TER102	FR180 x 11	2	EPR12
		2220K	SNW20 x 3-7/16	H320 x 3-7/16						FR180 x 10	1	
		<b>22220K</b>	SNW20 x 3-7/16	H320 x 3-7/16						FR180 x 10	1	
3-15/16	SAF 522	1222K	SNW22 x 3-15/16	H222 x 3-15/16	LER109	LER109 DC	PER109	PER109-PTV	TER109	FR200 x 12.5	2	EPR13
		2222K	SNW22 x 3-15/16	H322 x 3-15/16						FR200 x 10	1	
		<b>22222K</b>	SNW22 x 3-15/16	H322 x 3-15/16						FR200 x 10	1	
4-3/16	SAF 524	<b>22224K</b>	SNW24 x 4-3/16	H3124 x 4-3/16	LER113	LER113 DC	PER113	PER113-PTV	TER113	FR215 x 10	1	EPR14
4-7/16	SAF 526	<b>22226K</b>	SNW26 x 4-7/16	H3126 x 4-7/16	LER117	LER117 DC	PER117	PER117-PTV	TER117	FR230 x 10	1	EPR15
4-15/16	SAF 528	<b>22228K</b>	SNW28 x 4-15/16	H3128 x 4-15/16	LER122	LER122 DC	PER122	PER122-PTV	TER122	FR250 x 10	1	EPR27
5-3/16	SAF 530	<b>22230K</b>	SNW30 x 5-3/16	H3130 x 5-3/16	LER125	LER125 DC	PER125	PER125-PTV	TER125	FR270 x 10	1	EPR16
5-7/16	SAF 532	<b>22232K</b>	SNW32 x 5-7/16	H3132 x 5-7/16	LER130	LER130 DC	PER130	PER130-PTV	TER130	FR290 x 10	1	EPR16
5-15/16	SAF 534	<b>22234K</b>	SNW34 x 5-15/16	H3134 x 5-15/16	LER140	LER140 DC	PER140	PER140-PTV	TER140	FR310 x 10	1	EPR18
6-7/16	SAF 536	<b>22236K</b>	SNW36 x 6-7/16	H3136 x 6-7/16	LER148	LER148 DC	PER148	PER148-PTV	TER148	FR320 x 10	1	EPR19
6-15/16	SAF 538	<b>22238K</b>	SNW38 x 6-15/16	H3138 x 6-15/16	LER155	LER155 DC	PER155	PER155-PTV	TER155	FR340 x 10	1	EPR20
7-3/16	SAF 540	<b>22240K</b>	SNW40 x 7-3/16	H3140 x 7-3/16	LER159	LER159 DC	PER159	PER159-PTV	TER159	FR360 x 10	1	EPR21
7-15/16	SAF 544	<b>22244K</b>	SNW44 x 7-15/16	H3144 x 7-15/16	LER167	LER167 DC	PER167	PER167-PTV	TER167	FR400 x 10	1	EPR23

Note: Bearing Part Number in bold face is a double row taper bore spherical and most popular. Typical suffix to the bearing part number is C3W33 where C3 is the internal clearance and W33 indicates a lube groove on the bearing O.D. For example specify 22220K C3W33. \* For other shaft sizes possible see following pages.

# Pillow Block Housings



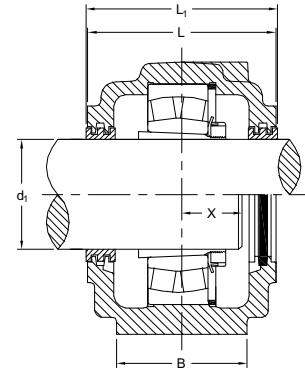
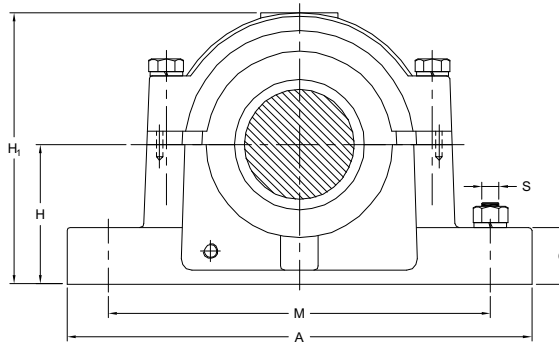
## SAF 600 Series

These Pillow Block Housings will accept self-aligning ball bearings (for high speed) or spherical roller bearings with adapter sleeves (for heavy load applications). They are available in Cast Iron (SAF) or Cast Steel (SAFS). SAF = 2 bolt base, FSAF = 4 bolt base, SAF 618 through

SAF 638 only with 4 bolt base. SAF housings are supplied standard with triple labyrinth seals. End covers and taconite seals available on request. Each housing includes fixing rings (1 or 2). When removed, the units will accommodate shaft expansion.



Models Available



Dimensions in inches

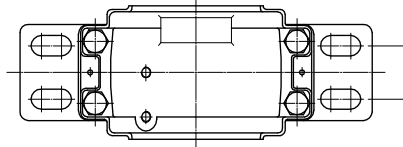
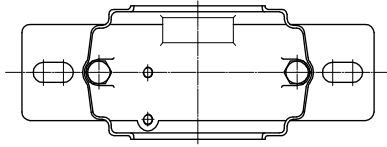
Cast Part No. *	Shaft Size $d_1$	A	B	C	E	H	$H_1$	L	$L_1$	M Min	M Max	S Bolt	X	Housing Wt. lb
SAF 609	1-7/16	9.63	2.75	1.00	—	2.750	5.31	4.13	4.25	7.38	7.88	(2) 5/8	1.06	13.6
SAF 610	1-11/16	10.63	2.75	1.13	—	3.000	5.81	4.50	4.63	7.75	9.00	(2) 5/8	1.13	17.8
SAF 611	1-15/16	11.00	3.13	1.19	—	3.250	6.19	4.75	4.88	8.13	9.50	(2) 5/8	1.19	21.3
FSAF 611	1-15/16	11.00	3.13	1.19	2.00	3.250	6.19	4.75	4.88	8.13	9.50	(4) 1/2	1.19	21.3
SAF 613	2-3/16	13.00	3.50	1.25	—	3.500	6.94	5.25	5.38	9.63	11.00	(2) 3/4	1.38	30.2
FSAF 613	2-3/16	13.00	3.50	1.25	2.13	3.500	6.94	5.25	5.38	9.63	11.00	(4) 5/8	1.38	30.2
SAF 615	2-7/16	13.75	3.88	1.31	—	4.000	7.81	5.88	6.25	10.38	11.63	(2) 3/4	1.38	41.3
FSAF 615	2-7/16	13.75	3.88	1.31	2.13	4.000	7.81	5.88	6.25	10.38	11.63	(4) 5/8	1.38	41.3
SAF 616	2-11/16	14.25	3.88	1.31	—	4.250	8.25	6.13	6.50	10.63	12.63	(2) 3/4	1.38	48.0
FSAF 616	2-11/16	14.25	3.88	1.31	2.13	4.250	8.25	6.13	6.50	10.63	12.63	(4) 5/8	1.38	48.0
SAF 617	2-15/16	15.25	4.38	1.75	—	4.500	8.75	6.50	6.75	11.63	13.13	(2) 7/8	1.56	71.0
FSAF 617	2-15/16	15.25	4.38	1.75	2.38	4.500	8.75	6.50	6.75	11.63	13.13	(4) 3/4	1.56	71.0
SAF 618	3-3/16	15.50	4.38	2.00	2.25	4.750	9.19	6.63	6.88	12.00	13.50	(4) 3/4	2.16	76.0
SAF 620	3-7/16	16.50	4.75	2.13	2.75	5.250	10.25	7.13	7.38	13.25	14.50	(4) 3/4	2.44	98.0
SAF 622	3-15/16	18.38	5.13	2.38	3.25	6.000	11.50	7.75	8.00	14.63	16.00	(4) 7/8	2.59	125.0
SAF 624	4-3/16	21.25	6.25	2.50	3.75	6.313	12.50	8.13	8.38	17.00	18.25	(4) 1	2.75	166.0
SAF 626	4-7/16	22.00	6.25	2.63	3.75	6.689	13.31	8.50	8.75	17.38	19.25	(4) 1	2.94	193.0
SAF 628	4-15/16	24.75	6.75	2.75	4.25	7.063	14.19	9.25	9.38	19.38	21.63	(4) 1	3.16	244.0
SAF 630	5-3/16	26.75	7.13	3.00	4.63	7.500	14.88	9.63	9.75	20.88	23.63	(4) 1	3.41	271.0
SAF 632	5-7/16	28.00	7.50	3.13	4.50	7.875	15.69	10.50	10.63	21.63	24.38	(4) 1-1/4	3.59	280.0
SAF 634	5-15/16	29.50	8.00	3.38	5.00	8.250	16.50	11.00	11.25	22.50	25.00	(4) 1-1/4	3.75	345.0
SAF 636	6-7/16	31.25	8.25	3.50	5.25	8.875	17.75	11.25	11.38	24.00	26.63	(4) 1-1/4	3.90	375.0
SAF 638	6-15/16	32.75	8.75	3.75	5.25	9.500	18.63	11.75	12.00	24.75	27.88	(4) 1-1/2	4.06	480.0
SAF 640	7-3/16	34.25	9.00	4.00	5.50	9.875	20	11.87	12.06	26.25	29.50	(4) 1-1/2	4.25	500.0

Note: \* Ductile SAFD and Steel SAFS housings available on request.



# Pillow Block Housing Accessories

## SAF 600 Series



TER-OS Seal  
Option



Shaft Size	Housing Part No.	Bearing Part No.*	Basic Dynamic Rating C kN	Adapter Sleeves**		Seals		Fixing Rings		End Covers Part No.
				SNW Type Part No.	H Type Part No.	Standard Part No.	Optional Taconite Part No.	Part No.	Qty.	
1-7/16	SAF 609	1309K	38	SNW 09 x 1-7/16	H 309 x 1-7/16	LER 17	TER 17	FR100 x 10.5	2	EPR 03
		2309K	54	SNW 09 x 1-7/16	H 2309 x 1-7/16			FR100 x 10	1	
		21309K	100	SNW 09 x 1-7/16	H 309 x 1-7/16			FR100 x 10.5	2	
		<b>22309K</b>	135	SNW 109 x 1-7/16	H 2309 x 1-7/16			FR100 x 10	1	
1-11/16	SAF 610	1310K	41	SNW 10 x 1-11/16	H 310 x 1-11/16	LER 20	TER 20	FR110 x 11.5	2	EPR 04
		2310K	64.0	SNW 10 x 1-11/16	H 2310 x 1-11/16			FR110 x 10	1	
		21310K	120	SNW 10 x 1-11/16	H 310 x 1-11/16			FR110 x 11.5	2	
		<b>22310K</b>	175	SNW 110 x 1-11/16	H 2310 x 1-11/16			FR110 x 10	1	
1-15/16	SAF 611 FSAF 611	1311K	51	SNW 11 x 1-15/16	H 311 x 1-15/16	LER 24	TER 24	FR120 x 12	2	EPR 05
		2311K	75	SNW 11 x 1-15/16	H 2311 x 1-15/16			FR120 x 10	1	
		21311K	138	SNW 11 x 1-15/16	H 311 x 1-15/16			FR120 x 12	2	
		<b>22311K</b>	195	SNW 111 x 1-15/16	H 2311 x 1-15/16			FR120 x 10	1	
2-3/16	SAF 613 FSAF 613	1313K	62	SNW 13 x 2-3/16	H 313 x 2-3/16	LER 32	TER 32	FR140 x 12.5	2	EPR 06
		2313K	95	SNW 13 x 2-3/16	H 2313 x 2-3/16			FR140 x 10	1	
		21313K	184	SNW 13 x 2-3/16	H 313 x 2-3/16			FR140 x 12.5	2	
		<b>22313K</b>	250	SNW 113 x 2-3/16	H 2313 x 2-3/16			FR140 x 10	1	
2-7/16	SAF 615 FSAF 615	1315K	80	SNW 15 x 2-7/16	H 315 x 2-7/16	LER 37	TER 37	FR160 x 14	2	EPR 07
		2315K	122	SNW 15 x 2-7/16	H 2315 x 2-7/16			FR160 x 10	1	
		21315K	234	SNW 15 x 2-7/16	H 315 x 2-7/16			FR160 x 14	2	
		<b>22315K</b>	340	SNW 115 x 2-7/16	H 2315 x 2-7/16			FR160 x 10	1	
2-11/16	SAF 616 FSAF 616	1316K	88	SNW 16 x 2-11/16	H 316 x 2-11/16	LER 44	TER 44	FR170 x 14.5	2	EPR 08
		2316K	137	SNW 16 x 2-11/16	H 2316 x 2-11/16			FR170 x 10	1	
		21316K	255	SNW 16 x 2-11/16	H 316 x 2-11/16			FR170 x 14.5	2	
		<b>22316K</b>	370	SNW 116 x 2-11/16	H 2316 x 2-11/16			FR170 x 10	1	
2-15/16	SAF 617 FSAF 617	1317K	98	SNW 17 x 2-15/16	H 317 x 2-15/16	LER 184	TER 184	FR180 x 14.5	2	EPR 10
		2317K	140	SNW 17 x 2-15/16	H 2317 x 2-15/16			FR180 x 10	1	
		21317K	290	SNW 17 x 2-15/16	H 317 x 2-15/16			FR180 x 14.5	2	
		<b>22317K</b>	420	SNW 117 x 2-15/16	H 2317 x 2-15/16			FR180 x 10	1	
3-3/16	SAF 618	1318K	180	SNW 18 x 3-3/16	H 318 x 3-3/16	LER 188	TER 188	FR190 x 11.5	2	EPR 11
		2318K	153	SNW 18 x 3-3/16	H 2318 x 3-3/16			FR190 x 10	1	
		21318K	320	SNW 18 x 3-3/16	H 318 x 3/16			FR190 x 11.5	2	
		<b>22318K</b>	475	SNW 118 x 3-3/16	H 2318 x 3-3/16			FR190 x 10	1	
3-7/16	SAF 620	1320K	143	SNW 20 x 3-7/16	H 320 x 3-7/16	LER 102	TER 102	FR215 x 18	2	EPR 12
		2320K	190	SNW 20 x 3-7/16	H 2320 x 3-7/16			FR215 x 10	1	
		21320K	380	SNW 20 x 3-7/16	H 320 x 3-7/16			FR215 x 18	2	
		<b>22320K</b>	600	SNW 120 x 3-7/16	H 2320 x 3-7/16			FR215 x 10	1	
3-15/16	SAF 622	1322K	160	SNW 22 x 3-15/16	H 322 x 3-15/16	LER109	TER 109	FR240 x 20	2	EPR 13
		21322K	460	SNW 22 x 3-15/16	H 322 x 3-15/16			FR240 x 20	2	
		<b>22322K</b>	720	SNW 122 x 3-15/16	H 2322 x 3-15/16			FR240 x 10	1	
4-3/16	SAF 624	<b>22324K</b>	840	SNW 124 x 4-3/16	H 2324 x 4-3/16	LER 113	TER 113	FR260 x 10	1	EPR 14
4-7/16	SAF 626	<b>22326K</b>	970	SNW 126 x 4-7/16	H 2326 x 4-7/16	LER 117	TER 117	FR280 x 10	1	EPR 15
4-15/16	SAF 628	<b>22328K</b>	1120	SNW 128 x 4-15/16	H 2328 x 4-15/16	LER 122	TER 122	FR300 x 10	1	EPR 27
5-3/16	SAF 630	<b>22330K</b>	1250	SNW 130 x 5-3/16	H 2330 x 5-3/16	LER 125	TER 125	FR320 x 10	1	EPR 16
5-7/16	SAF 632	<b>22332K</b>	1375	SNW 132 x 5-7/16	H 2332 x 5-7/16	LER 130	TER 130	FR340 x 10	1	EPR 16
5-15/16	SAF 634	<b>22334K</b>	1540	SNW 134 x 5-15/16	H 2334 x 5-15/16	LER 140	TER 140	FR360 x 10	1	EPR 18
6-7/16	SAF 636	<b>22336K</b>	1725	SNW 136 x 6-7/16	H 2336 x 6-7/16	LER 148	TER 148	FR380 x 10	1	EPR 19
6-15/16	SAF 638	<b>22338K</b>	1860	SNW 138 x 6-15/16	H 2338 x 6-15/16	LER 155	TER 155	FR400 x 10	1	EPR 20
7-3/16	SAF 640	<b>22340K</b>	2010	SNW 140 x 7-3/16	H 2340 x 7-3/16	LER 159	—	FR420 x 10	1	EPR 21

Note: \* Popular bearing in bold. \*\* Select either adapter. Complete bearing part no. will be 22320K C3 W33 where K indicates a taper bore (for adapters), C3 is the internal clearance and W33 is the lube groove on the O.D.

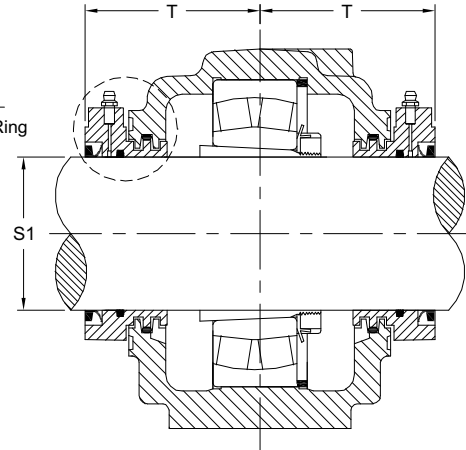
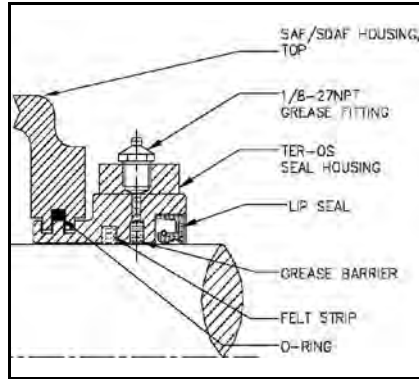
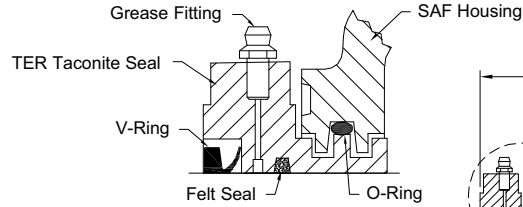
# SAF Split Block Accessories



## Tac Seals



- Taconite Seal options for SAF Housings.
- Fits Industry Standard Housing Grooves.



Shaft Size S1	SAF 500 Housing Part No.	SAF 600 Housing Part No.	TAC Seal Part No.	TER-OS Part No.	Length T
1-3/16	SAF 507	—	TER 14	TER 14-OS	1.59
1-7/16	SAF 509	SAF 609	TER 17	TER 17-OS	3.03
1-11/16	SAF 510	SAF 610	TER 20	TER 20-OS	3.25
1-5/16	SAF 511	SAF 611	TER 24	TER 24-OS	3.38
2-3/16	SAF 513	SAF 613	TER 29	TER 29-OS	3.63
2-7/16	SAF 515	SAF 615	TER 37	TER 37-OS	3.81
2-11/16	SAF 516	SAF 616	TER 44	TER 44-OS	4.13
2-15/16	SAF 517	SAF 617	TER 53	TER 53-OS	3.91
3-3/16	SAF 518	SAF 618	TER 188	TER 188-OS	4.06
3-7/16	SAF 520	SAF 620	TER 102	TER 102-OS	4.38
3-15/16	SAF 522	SAF 622	TER 109	TER 109-OS	4.56
4-3/16	SAF 524	SAF 624	TER 113	TER 113-OS	5.00
4-7/16	SAF 526	SAF 626	TER 117	TER 117-OS	5.31
4-15/16	SAF 528	SAF 628	TER 122	TER 122-OS	5.13
5-3/16	SAF 530	SAF 630	TER 125	TER 125-OS	5.50
5-7/16	SAF 532	SAF 632	TER 130	TER 130-OS	5.69
5-15/16	SAF 534	SAF 634	TER 140	TER 140-OS	5.06
6-7/16	SAF 536	SAF 636	TER 148	TER 148-OS	5.25
6-15/16	SAF 538	SAF 638	TER 155	TER 155-OS	6.69
7-3/16	SAF 540	—	TER 159	TER 159-OS	7.06
7-15/16	SAF 544	—	TER 167	TER 167-OS	7.25

# Pillow Block Housings

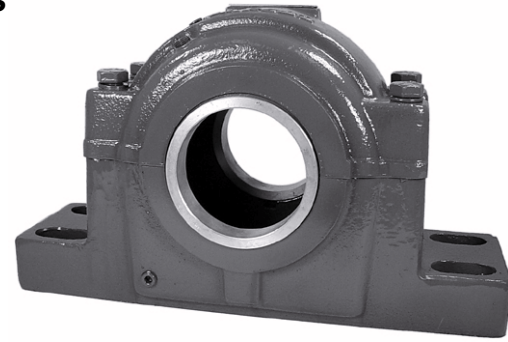


## Optional Shaft Sizes for SAF 500 & 600 Series

SAF Series Pillow Blocks can accept different shaft sizes by changing Seals and Adapters.

Shown below are the other, less popular, but stock parts that accommodate other standard shaft sizes.

Part numbers listed below are Cast Iron. Ductile and Steel housings are stock for the SAF 500 Series and are available on request for the SAF 600 Series.



### SAF 500 Series

Shaft Size	Housing Part No. *	Bearing Part No.	Adapter		Seal Part No.
			SNW Type Part No.	H Type Part No.	
1 1/16 3/4	SAF 505	2205K	SNW05 x 1 1/16	H305 x 1 1/16	LER 7
		2205K	SNW05 x 3/4	H305 x 3/4	LER 6
15/16 1	SAF 506	2206K	SNW06 x 15/16	H306 x 15/16	LER 10
		2206K	SNW06 x 1	H306 x 1	LER 11
1-3/16	SAF 507	22207K	SNW07 x 1-3/16	H307 x 1-3/16	LER 14
1-1/2	SAF 509	22209K	SNW09 x 1-1/2	H309 x 1-1/2	LER 18
1-3/4	SAF 510	22210K	SNW10 x 1-3/4	H310 x 1-3/4	LER 21
2	SAF 511	22211K	SNW11 x 2	H311 x 2	LER 25
2-1/4	SAF 513	22213K	SNW13 x 2-1/4	H313 x 2-1/4	LER 30
	FSAF 513				
2-1/2	SAF 515	22215K	SNW15 x 2-1/2	H315 x 2-1/2	LER 38
	FSAF 515				
2-3/4	SAF 516	22216K	SNW16 x 2-3/4	H316 x 2-3/4	LER 45
	FSAF 516				
3	SAF 517	22217K	SNW17 x 3	H317 x 3	LER 54
	FSAF 517				
3-1/4	SAF 518	22218K	SNW18 x 3-1/4	H318 x 3-1/4	LER 70
	FSAF 518				
3-1/2	SAF 520	22220K	SNW20 x 3-1/2	H320 x 3-1/2	LER 103
	FSAF 520				
4	SAF 522	22222K	SNW22 x 4	H322 x 4	LER 110
4-1/4	SAF 524	22224K	SNW24 x 4-1/4	H3124 x 4-1/4	LER 114
4-1/2	SAF 526	22226K	SNW26 x 4-1/2	H3126 x 4-1/2	LER 118
5	SAF 528	22228K	SNW28 x 5	H3128 x 5	LER 123
5-1/4	SAF 530	22230K	SNW30 x 5-1/4	H3130 x 5-1/4	LER 126
5-1/2	SAF 532	22232K	SNW32 x 5-1/2	H3132 x 5-1/2	LER 131
6	SAF 534	22234K	SNW34 x 6	H3134 x 6	LER 141
6-1/2	SAF 536	22236K	SNW36 x 6-1/2	H3136 x 6-1/2	LER 149
7	SAF 538	22238K	SNW38 x 7	H3138 x 7	LER 156
8	SAF 544	22244K	SNW44 x 8	H3144 x 8	LER 168

Note: \* Ductile and Steel housings are also stock.

### SAF 600 Series

Shaft Size	Housing Part No.	Bearing Part No.	Adapter		Seal Part No.
			SNW Type Part No.	H Type Part No.	
1-1/2	SAF 609	22309K	SNW109 x 1-1/2	H2309 x 1-1/2	LER 18
1-3/4	SAF 610	22310K	SNW110 x 1-3/4	H2310 x 1-3/4	LER 21
2	SAF 611	22311K	SNW111 x 2	H2311 x 2	LER 25
	FSAF 611				
2-1/4	SAF 613	22313K	SNW113 x 2-1/4	H2313 x 2-1/4	LER 33
	FSAF 613				
2-1/2	SAF 615	22315K	SNW115 x 2-1/2	H2315 x 2-1/2	LER 38
	FSAF 615				
2-3/4	SAF 616	22316K	SNW116 x 2-3/4	H2316 x 2-3/4	LER 45
	FSAF 616				
3	SAF 617	22317K	SNW117 x 3	H2317 x 3	LER 185
	FSAF 617				
3-1/4	SAF 618	22318K	SNW118 x 3-1/4	H2318 x 3-1/4	LER 189
3-1/2	SAF 620	22320K	SNW120 x 3-1/2	H2320 x 3-1/2	LER 103
4	SAF 622	22322K	SNW122 x 4	H2322 x 4	LER 110
	SAF 624				
4-1/4	SAF 624	22324K	SNW124 x 4-1/4	H2324 x 4-1/4	LER 114
	SAF 626				
4-1/2	SAF 626	22326K	SNW126 x 4-1/2	H2326 x 4-1/2	LER 118
	SAF 628				
5	SAF 628	22328K	SNW128 x 5	H2328 x 5	LER 123
	SAF 630				
5-1/4	SAF 630	22330K	SNW130 x 5-1/4	H2330 x 5-1/4	LER 126
	SAF 634				
6-1/2	SAF 634	22334K	SNW134 x 6	H2334 x 6	LER 141
	SAF 636				
7	SAF 636	22336K	SNW136 x 6-1/2	H2336 x 6-1/2	LER 149
	SAF 638				
7	SAF 638	22338K	SNW138 x 7	H2338 x 7	LER 156

# Pillow Block Housings

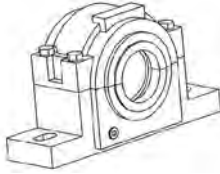


## SAF 200 Series

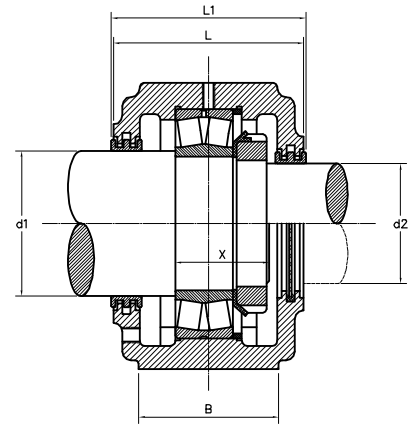
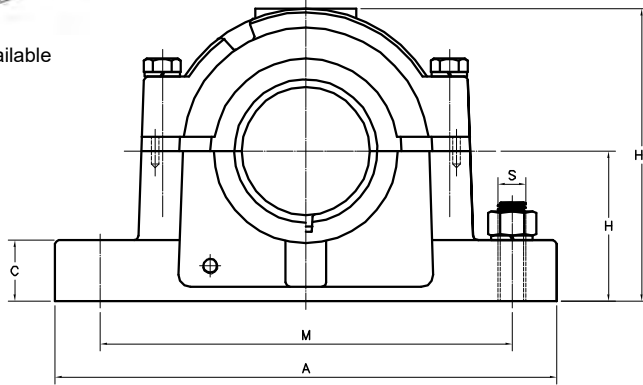


These Pillow Block Housings accept self-aligning ball or spherical roller bearings with straight bore. They are available in Cast Iron (SAF), Ductile (SAFD) or Cast Steel (SAFS). SAF = 2-bolt base, FSAF = 4-bolt base, SAF 222 through SAF 244 only with 4-bolt base.

SAF housings are supplied standard with triple labyrinth seals. End covers and Taconite seals available on request. Each housing includes a fixing ring for non-expansion. Removing the ring allows the bearing to float as the expansion bearing.



Models Available



Dimensions in inches

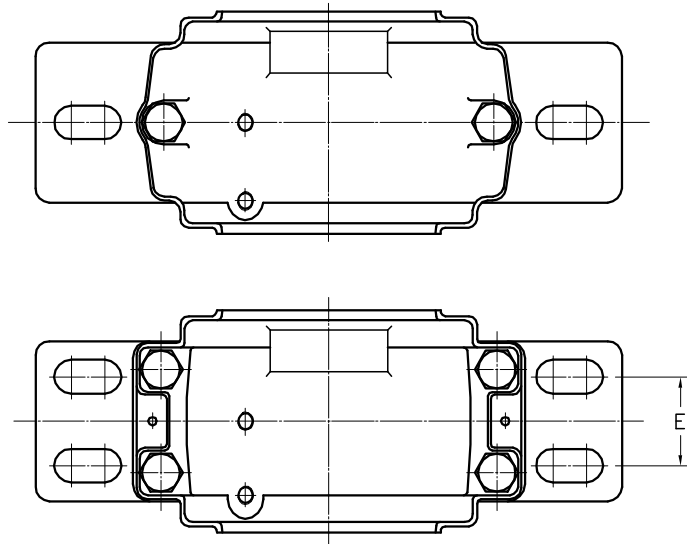
Cast Part No. *	Shaft Size		A	B	C	E	H	H <sub>1</sub>	L	L <sub>1</sub>	M Min	M Max	S Bolt	X	Housing Wt. lb
	d <sub>1</sub>	d <sub>2</sub>													
SAF 216	3-5/8	3	13.00	3.50	1.19	—	3.500	6.88	4.75	4.88	9.63	11.00	(2) 3/4	1.44	30
FSAF 216	3-5/8	3	13.00	3.50	1.19	2.13	3.500	6.88	4.75	4.88	9.63	11.00	(4) 5/8	1.44	30
SAF 217	3-15/16	3-3/16	13.00	3.50	1.25	—	3.750	7.31	4.81	5.00	9.88	11.00	(2) 3/4	1.53	32
FSAF 217	3-15/16	3-3/16	13.00	3.50	1.25	2.13	3.750	7.31	4.81	5.00	9.88	11.00	(4) 5/8	1.53	32
SAF 218	4-1/8	3-3/8	13.75	3.88	1.31	—	4.000	7.75	5.50	5.75	10.38	11.63	(4) 5/8	1.69	38
FSAF 218	4-1/8	3-3/8	13.75	3.88	1.31	2.13	4.000	7.75	5.50	5.75	10.38	11.63	(4) 5/8	1.69	38
SAF 220	4-1/2	3-13/16	15.25	4.38	1.75	—	4.500	8.75	5.81	6.00	11.63	13.13	(4) 3/4	2.00	60
FSAF 220	4-1/2	3-13/16	15.25	4.38	1.75	2.38	4.500	8.75	5.81	6.00	11.63	13.13	(4) 3/4	2.00	60
SAF 222	4-7/8	4-3/16	16.50	4.75	2.00	2.75	4.934	9.63	6.44	6.50	12.63	14.50	(4) 3/4	2.06	78
SAF 224	5-5/16	4-9/16	16.50	4.75	2.13	2.75	5.250	10.25	7.13	7.38	13.25	14.50	(4) 3/4	2.22	91
SAF 226	5-7/8	4-15/16	18.38	5.13	2.38	3.25	6.000	11.50	7.75	8.00	14.63	16.00	(4) 7/8	2.38	125
SAF 228	6-1/4	5-5/16	20.13	5.88	2.38	3.38	6.000	11.75	7.38	7.63	16.00	17.13	(4) 1	2.50	129
SAF 230	6-5/8	5-3/4	21.25	6.25	2.50	3.75	6.313	12.50	8.13	8.38	17.00	18.25	(4) 1	2.72	165
SAF 232	7	6-1/16	22.00	6.25	2.63	3.75	6.688	13.31	8.50	8.75	17.38	19.25	(4) 1	2.94	179
SAF 234	7-7/16	6-7/16	24.75	6.75	2.75	4.25	7.063	14.19	9.25	9.63	19.38	21.63	(4) 1	3.09	228
SAF 236	7-13/16	6-7/8	26.75	7.13	3.00	4.63	7.500	14.88	9.63	10.00	20.88	23.63	(4) 1	3.13	258
SAF 238	8-3/8	7-1/4	28.00	7.50	3.13	4.50	7.875	15.69	10.50	10.75	21.63	24.38	(4) 1-1/4	3.28	305
SAF 240	8-3/4	7-5/8	29.50	8.00	3.38	5.00	8.250	16.50	11.00	11.25	22.50	25.00	(4) 1-1/4	3.44	364
SAF 244	9-9/16	8-5/16	32.75	8.75	3.75	5.25	9.500	18.63	11.75	12.00	24.75	27.88	(4) 1-1/2	3.81	500

Note: \* Ductile and Steel housings are available on request.

# Pillow Block Housings



## SAF 200 Series



Housing Part No.	Bearing Part No.	Basic Dynamic Rating C kN	Shaft Size		Locknut Part No.	Lockwasher Part No.	Seals - Part No.		Fixing Rings		End Cover Part No.
			d <sub>1</sub>	d <sub>2</sub>			d <sub>1</sub>	d <sub>2</sub>	Part No.	Qty.	
SAF 216 FSAF 216	1216	40	3-5/8	3	AN 16	W 16	LER 82	LER 54	FR140 x 8.5	2	EPR 09
	2216	51							FR140 x 10	1	
	<b>22216</b>	175							FR140 x 10	1	
SAF 217 FSAF 217	1217	49	3-15/16	3-3/16	AN 17	W 17	LER 89	LER 63	FR150 x 9	2	EPR 09
	2217	58.5							FR150 x 10	1	
	<b>22217</b>	210							FR150 x 10	1	
SAF 218 FSAF 218	1218	57	4-1/8	3-3/8	AN 18	W 18	LER 112	LER 191	FR160 x 10	2	EPR 11
	2218	71							FR160 x 10	1	
	<b>22218</b>	250							FR160 x 10	1	
SAF 220 FSAF 220	1220	69.5	4-1/2	3-13/16	AN 20	W 20	LER 118	LER 106	FR180 x 11	2	EPR 12
	2220	98							FR180 x 10	1	
	<b>22220</b>	310							FR180 x 10	1	
SAF 222	1222	88	4-7/8	4-3/16	AN 22	W 22	LER 121	LER 113	FR200 x 12.5	2	EPR 14
	2222	124							FR200 x 10	1	
	<b>22222</b>	405							FR200 x 10	1	
SAF 224	<b>22224</b>	465	5-5/16	4-9/16	AN 24	W 24	LER 127	LER 119	FR215 x 10	1	EPR 15
SAF 226	<b>22226</b>	545	5-7/8	4-15/16	AN 26	W 26	LER 136	LER 122	FR230 x 10	1	EPR 27
SAF 228	<b>22228</b>	605	6-1/4	5-5/16	AN 28	W 28	LER 144	LER 127	FR250 x 10	1	EPR 16
SAF 230	<b>22230</b>	730	6-5/8	5-3/4	AN 30	W 30	LER 151	LER 134	FR270 x 10	1	EPR 17
SAF 232	<b>22232</b>	860	7	6-1/16	AN 32	W 32	LER 156	LER 142	FR290 x 10	1	EPR 18
SAF 234	<b>22234</b>	975	7-7/16	6-7/16	AN 34	W 34	LER 161	LER 148	FR310 x 10	1	EPR 19
SAF 236	<b>22236</b>	1000	7-13/16	6-7/8	AN 36	W 36	LER 165	LER 154	FR320 x 10	1	EPR 20
SAF 238	<b>22238</b>	1100	8-3/8	7-1/4	AN 38	W 38	LER 171	LER 160	FR340 x 10	1	EPR 21
SAF 240	<b>22240</b>	1250	8-3/4	7-5/8	AN 40	W 40	LER 175	LER 164	FR360 x 10	1	EPR 22
SAF 244	<b>22244</b>	1500	9-9/16	8-5/16	AN 44	W 44	LER 179	LER 170	FR400 x 10	1	EPR 24

Note: Bearing Part Number in bold face is a double row straight bore spherical and the most popular. Typical suffix to the bearing part number is C3W33 where C3 is the internal clearance and W33 indicates a lube groove on the bearing O.D. Example: 22220C3W33.

# Pillow Block Housings

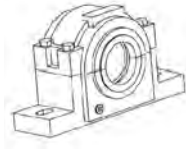


## SAF 300 Series

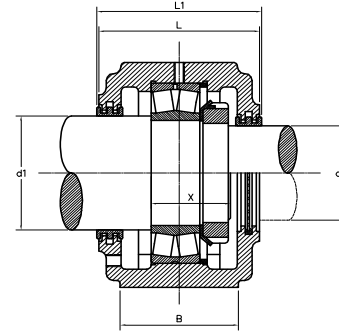
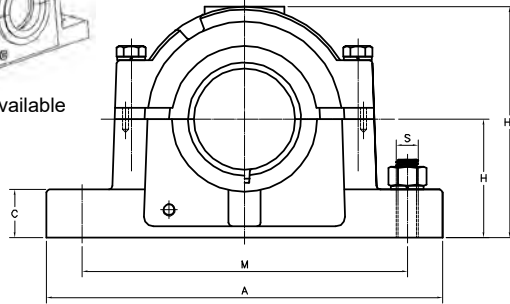


These Pillow Block Housings accept self-aligning ball or spherical roller bearings with straight bores. They are available in Cast Iron (SAF) or Cast Steel (SAFS). SAF = 2-bolt base, FSAF = 4-bolt base, SAF 318 through SAF 338 only with 4-bolt

base. SAF housings are supplied standard with triple labyrinth seals. FSAF 311 through FSAF 317 are made to order. Each housing includes a fixing ring for non-expansion. Removing the ring allows bearing expansion.



Models Available

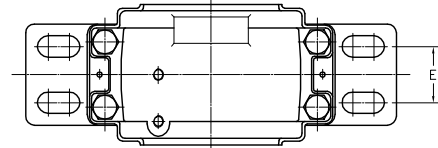
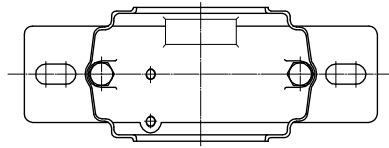


Dimensions in inches

Part No.	Shaft Size		A	B	C	E	H	H <sub>1</sub>	L	L <sub>1</sub>	M min	M max	S Bolt	X	Housing Wt. lb
	d <sub>1</sub>	d <sub>2</sub>													
SAF 308	1-15/16	1-7/16	8.25	2.38	1.00	—	2.500	4.81	3.88	4.00	6.25	7.00	(2) 1/2	1.06	10
SAF 309	2-1/8	1-11/16	9.63	2.75	1.00	—	2.750	5.31	4.13	4.25	7.38	7.88	(2) 5/8	1.06	13
SAF 310	2-3/8	1-7/8	10.63	2.75	1.13	—	3.000	5.81	4.50	4.63	7.75	9.00	(2) 5/8	1.13	17
SAF 311	2-9/16	2-1/16	11.00	3.13	1.19	—	3.250	6.19	4.75	4.88	8.13	9.50	(2) 5/8	1.19	21
FSAF 311	2-9/16	2-1/16	11.00	3.13	1.19	2.00	3.250	6.19	4.75	4.88	8.13	9.50	(4) 1/2	1.19	21
SAF 312	2-7/8	2-1/4	11.25	3.13	1.19	—	3.250	6.38	5.13	5.25	8.63	9.38	(2) 5/8	1.19	25
FSAF 312	2-7/8	2-1/4	11.25	3.13	1.19	1.88	3.250	6.38	5.13	5.25	8.63	9.38	(4) 1/2	1.19	25
SAF 313	3-1/16	2-7/16	13.00	3.50	1.25	—	3.500	6.94	5.25	5.38	9.63	11.00	(2) 3/4	1.38	30
FSAF 313	3-1/16	2-7/16	13.00	3.50	1.25	2.13	3.500	6.94	5.25	5.38	9.63	11.00	(4) 5/8	1.38	30
SAF 314	3-1/4	2-5/8	13.00	3.50	1.25	—	3.750	7.38	5.25	5.38	9.88	11.00	(2) 3/4	1.38	32
FSAF 314	3-1/4	2-5/8	13.00	3.50	1.25	2.13	3.750	7.38	5.25	5.38	9.88	11.00	(4) 5/8	1.38	32
SAF 315	3-7/16	2-13/16	13.75	3.88	1.31	—	4.000	7.81	5.88	6.25	10.38	11.63	(2) 3/4	1.38	41
FSAF 315	3-7/16	2-13/16	13.75	3.88	1.31	2.13	4.000	7.81	5.88	6.25	10.38	11.63	(4) 5/8	1.38	41
SAF 316	3-5/8	3	14.25	3.88	1.31	—	4.250	8.25	6.13	6.50	10.63	12.63	(2) 3/4	1.38	49
FSAF 316	3-5/8	3	14.25	3.88	1.31	2.13	4.250	8.25	6.13	6.50	10.63	12.63	(4) 5/8	1.38	49
SAF 317	3-15/16	3-3/16	15.25	4.38	1.75	—	4.500	8.75	6.50	6.75	11.63	13.13	(2) 7/8	1.56	65
FSAF 317	3-15/16	3-3/16	15.25	4.38	1.75	2.38	4.500	8.75	6.50	6.75	11.63	13.13	(4) 3/4	1.56	65
SAF 318	4-1/8	3-3/8	15.50	4.38	2.00	2.25	4.750	9.19	6.63	6.88	12.00	13.50	(4) 3/4	2.16	75
SAF 320	4-1/2	3-13/16	16.50	4.75	2.13	2.75	5.250	10.25	7.13	7.38	13.25	14.50	(4) 3/4	2.44	91
SAF 322	4-7/8	4-3/16	18.38	5.13	2.38	3.25	6.000	11.50	7.75	8.00	14.63	16.00	(4) 7/8	2.59	120
SAF 324	5-5/16	4-9/16	21.25	6.25	2.50	3.75	6.313	12.50	8.13	8.38	17.00	18.25	(4) 1	2.75	166
SAF 326	5-7/8	4-15/16	22.00	6.25	2.63	3.75	6.688	13.31	8.50	8.75	17.38	19.25	(4) 1	2.94	184
SAF 328	6-1/4	5-5/16	24.75	6.75	2.75	4.25	7.063	14.19	9.25	9.38	19.38	21.63	(4) 1	3.16	243
SAF 330	6-5/8	5-3/4	26.75	7.13	3.00	4.63	7.500	14.88	9.63	9.75	20.88	23.63	(4) 1	3.41	259
SAF 332	7	6-1/16	28.00	7.50	3.13	4.50	7.875	15.69	10.50	10.63	21.63	24.38	(4) 1-1/4	3.59	299
SAF 334	7-7/16	6-7/16	29.50	8.00	3.38	5.00	8.250	16.50	11.00	11.25	22.50	25.00	(4) 1-1/4	3.75	355
SAF 336	7-13/16	6-7/8	31.25	8.25	3.50	5.25	8.875	17.75	11.25	11.38	24.00	26.63	(4) 1-1/4	3.90	360
SAF 338	8-3/8	7-1/4	32.75	8.75	3.75	5.25	9.500	18.63	11.75	12.00	24.75	27.88	(4) 1-1/2	4.06	477
SAF 340	8-3/4	7-5/8	34.25	9.00	4.00	5.50	9.875	20.0	11.87	12.06	26.25	29.50	(4) 1-1/2	4.25	480

# Pillow Block Housing

## SAF 300 Series



Housing Part No.	Bearing Part No.	Basic Dynamic Rating C kN	Shaft Size		Locknut Part No.	Lock-washer Part No.	Seals		Fixing Rings		End Cover Part No.
			d1	d2			d1	d2	Part No.	Qty.	
SAF 308	1308	29	1-15/16	1-7/16	N08	W08	LER 24	LER 17	FR90 x 10	2	EPR03
	2308	45							FR90 x 10	1	
	21308	82							FR90 x 10	2	
	<b>22308</b>	112							FR90 x 10	1	
SAF 309	1309	38	2-1/8	1-11/16	N09	W09	LER 28	LER 20	FR100 x 10.5	2	EPR04
	2309	54							FR100 x 10	1	
	21309	100							FR100 x 10.5	2	
	<b>22309</b>	135							FR100 x 10	1	
SAF 310	1310	41.5	2-3/8	1-7/8	N10	W10	LER 35	LER 23	FR110 x 11.5	2	EPR05
	2310	64							FR110 x 10	1	
	21310	120							FR110 x 11.5	2	
	<b>22310</b>	175							FR110 x 10	1	
SAF 311 FSAF 311	1311	51	2-9/16	2-1/16	N11	W11	LER 40	LER 27	FR120 x 12	2	EPR06
	2311	75							FR120 x 10	1	
	21311	138							FR120 x 12	2	
	<b>22311</b>	195							FR120 x 10	1	
SAF 313 FSAF 313	1313	62	3-1/16	2-7/16	N13	W13	LER 55	LER 37	FR140 x 12.5	2	EPR07
	2313	95							FR140 x 10	1	
	21313	184							FR140 x 12.5	2	
	<b>22313</b>	250							FR140 x 10	1	
SAF 314 FSAF 314	1314	75	3-1/4	2-5/8	N14	W14	LER 64	LER 43	FR150 x 12.5	2	-
	2314	110							FR150 x 10	1	
	21314	207							FR150 x 12.5	2	
	<b>22314</b>	310							FR150 x 10	1	
SAF 315 FSAF 315	1315	80	3-7/16	2-13/16	AN15	W15	LER 79	LER 46	FR160 x 14	2	EPR08
	2315	122							FR160 x 10	1	
	21315	234							FR160 x 14	2	
	<b>22315</b>	340							FR160 x 10	1	
SAF 316 FSAF 316	1316	88	3-5/8	3	AN16	W16	LER 84	LER 60	FR170 x 14.5	2	EPR10
	2316	137							FR170 x 10	1	
	21316	255							FR170 x 14.5	2	
	<b>22316</b>	370							FR170 x 10	1	
SAF 317 FSAF 317	1317	98	3-15/16	3-3/16	AN17	W17	LER 109	LER 188	FR180 x 14.5	2	EPR11
	2317	140							FR180 x 10	1	
	21317	290							FR180 x 14.5	2	
	<b>22317</b>	420							FR180 x 10	1	
SAF 318 FSAF 318	1318	108	4-1/8	3-3/8	AN18	W18	LER 112	LER 191	FR190 x 15.5	2	EPR11
	2318	153							FR190 x 10	1	
	21318	320							FR190 x 15.5	2	
	<b>22318</b>	475							FR190 x 10	1	
SAF 320	1320	143	4-1/2	3-13/16	AN20	W20	LER 118	LER 106	FR215 x 18	2	EPR12
	2320	190							FR215 x 10	1	
	21320	380							FR215 x 18	2	
	<b>22320</b>	600							FR215 x 10	1	
SAF 322	1322	160	4-7/8	4-3/16	AN22	W22	LER121	LER 113	FR240 x 20	2	EPR14
	21322	460							FR240 x 20	2	
	<b>22322</b>	720							FR240 x 10	1	
	SAF 324	<b>22324</b>							840	5-5/16	
SAF 326	<b>22326</b>	970	5-7/8	4-15/16	AN26	W26	LER 136	LER 122	FR280 x 10	1	EPR27
SAF 328	<b>22328</b>	1120	6-1/4	5-5/16	AN28	W28	LER 144	LER 127	FR300 x 10	1	EPR16
SAF 330	<b>22330</b>	1250	6-5/8	5-3/4	AN30	W30	LER 151	LER 134	FR320 x 10	1	EPR17
SAF 332	<b>22332</b>	1375	7	6-1/16	AN32	W32	LER 156	LER 142	FR340 x 10	1	EPR18
SAF 334	<b>22334</b>	1540	7-7/16	6-7/16	AN34	W34	LER 161	LER 148	FR360 x 10	1	EPR19
SAF 336	<b>22336</b>	1725	7-13/16	6-7/8	AN36	W36	LER 165	LER 154	FR380 x 10	1	EPR 20
SAF 338	<b>22338</b>	1860	8-3/8	7-1/4	AN38	W38	LER 171	LER 160	FR400 x 10	1	EPR21
SAF 340	<b>22340</b>	2010	8-3/4	7-5/8	AN40	W40	LER 175	LER 164	FR420 x 10	1	EPR 22

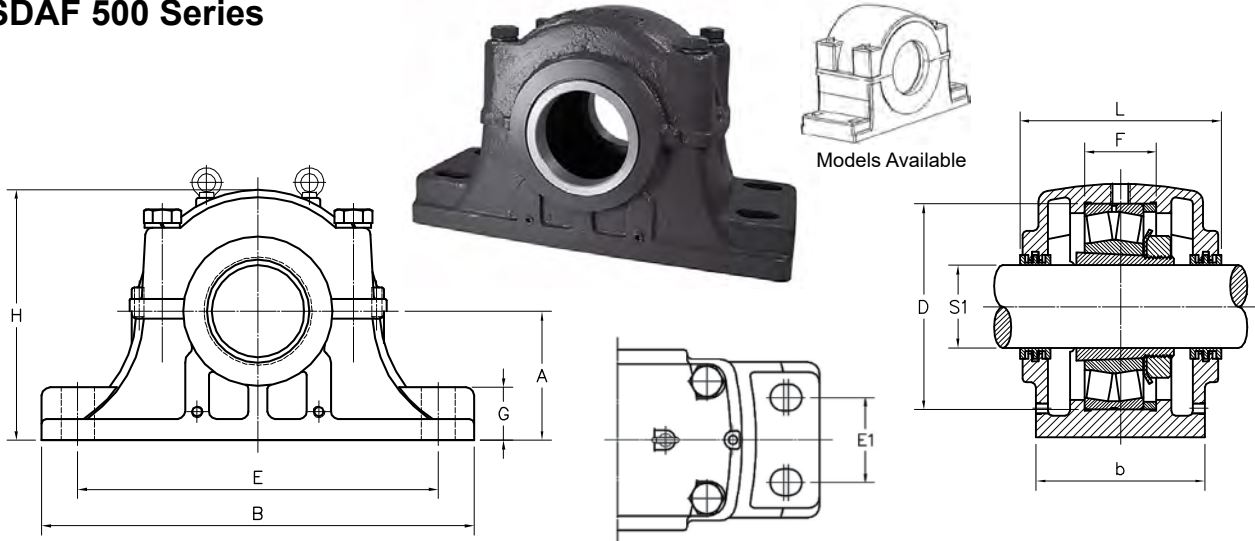
Note: Bearing Part Number in bold face is a double row straight bore spherical and the most popular. Typical suffix to the bearing part number is C3W33 where C3 is the internal clearance and W33 indicates a lube groove on the bearing O.D. Example: 22320C3W33.

Introduction  
Mounted Ball Bearings  
SRE / SR2 Spherical Bearings  
SAF / Plummer Blocks  
Brg. Accessories, Radial Ball, & EICH Bearings  
Rod Ends & Spherical Plain Bearings  
Roller Chain & Sprockets  
Bushings & Hubs  
Gears & Racks  
Belt Drives / Couplings  
Linear Motion / WINKEL

# Pillow Block Housings



## SDAF 500 Series



### SDAF 500 - Housing Dimensions

Dimensions in inches

Housing No.	A	B	b	D		E		E1	F	G	H	L	Bolts (No. Req'd)	Housing Wt. lb
				mm	Min	Max	mm							
SDAF 520	4.500	15.25	6.00	180	11.63	13.12	3.38	55.8	1.88	8.94	6.75	(4) 3/4	65	
SDAF 522	4.937	16.50	6.75	200	12.63	14.50	4.00	62.8	2.12	9.88	7.25	(4) 7/8	96	
SDAF 524	5.250	16.50	6.88	215	13.25	14.50	4.12	67.8	2.50	10.50	7.38	(4) 7/8	107	
SDAF 526	6.000	18.38	7.50	230	14.63	16.00	4.50	73.8	2.38	11.88	8.00	(4) 1	147	
SDAF 528	6.000	20.12	7.50	250	16.00	17.12	4.50	77.8	2.38	12.06	7.94	(4) 1-1/8	131	
SDAF 530	6.312	21.25	7.88	270	17.00	18.25	4.75	82.8	2.50	12.81	8.38	(4) 1-1/8	157	
SDAF 532	6.687	22.00	8.25	290	17.38	19.25	5.00	89.8	2.50	13.69	8.75	(4) 1-1/8	187	
SDAF 534	7.062	24.75	9.00	310	19.38	21.63	5.50	95.8	2.50	14.25	9.63	(4) 1-1/4	212	
SDAF 536	7.500	26.75	9.38	320	20.88	23.63	5.88	95.8	2.75	15.50	10.00	(4) 1-1/4	292	
SDAF 538	7.875	27.63	10.00	340	21.50	23.50	6.25	101.8	3.00	16.25	10.63	(4) 1-3/8	338	
SDAF 540	8.250	28.75	10.50	360	23.00	25.00	6.75	107.8	3.25	17.12	11.12	(4) 1-3/8	344	
SDAF 544	9.500	32.00	11.25	400	25.63	27.88	7.25	117.8	3.50	19.25	11.88	(4) 1-1/2	513	

### SDAF 225 - Pillow Block Part Number

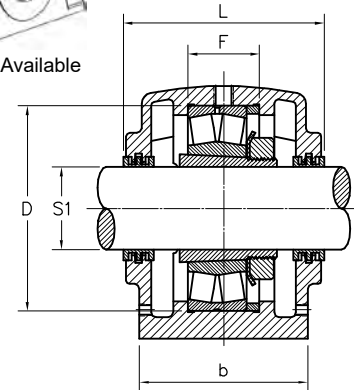
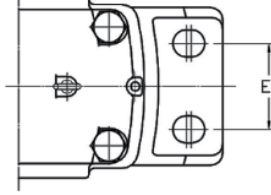
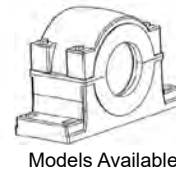
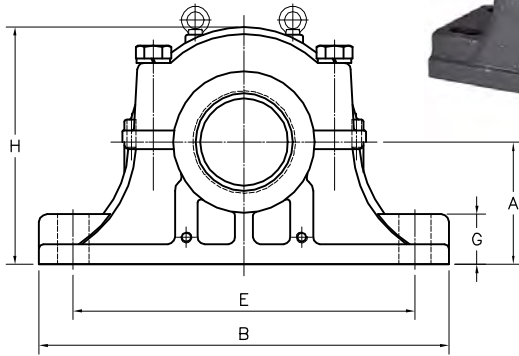
Shaft Diameter S-1 in	Complete Pillow Block Part No.	Pillow Block Housing Only Part No.	Bearing Part No. *	Basic Dynamic Load Rating C kN	Adapter Locknut and Lockwasher Part No.	Labyrinth Seal (2 required) Part No.	Fixing Ring (1 required) Part No.	End Cover (optional) Part No.
3-7/16	SDAF 22520	SDAF 520	22220 K	310	SNW 20 x 3-7/16	LER 75	FR180 x 10	EPR 11
3-15/16	SDAF 22522	SDAF 522	22222 K	405	SNW 22 x 3-15/16	LER 93	FR200 x 10	EPR 13
4-3/16	SDAF 22524	SDAF 524	22224 K	465	SNW 24 x 4-3/16	LER 113	FR215 x 10	EPR 14
4-7/16	SDAF 22526	SDAF 526	22226 K	545	SNW 26 x 4-7/16	LER 117	FR230 x 10	EPR 15
4-15/16	SDAF 22528	SDAF 528	22228 K	605	SNW 28 x 4-15/16	LER 122	FR250 x 10	EPR 27
5-3/16	SDAF 22530	SDAF 530	22230 K	730	SNW 30 x 5-3/16	LER 125	FR270 x 10	EPR 16
5-7/16	SDAF 22532	SDAF 532	22232 K	860	SNW 32 x 5-7/16	LER 130	FR290 x 10	EPR 16
5-15/16	SDAF 22534	SDAF 534	22234 K	975	SNW 34 x 5-15/16	LER 140	FR310 x 10	EPR 18
6-7/16	SDAF 22536	SDAF 536	22236 K	1000	SNW 36 x 6-7/16	LER 148	FR310 x 10	EPR 19
6-15/16	SDAF 22538	SDAF 538	22238 K	1100	SNW 38 x 6-15/16	LER 224	FR340 x 10	EPR 21
7-3/16	SDAF 22540	SDAF 540	22240 K	1250	SNW 40 x 7-3/16	LER 228	FR360 x 10	EPR 22
7-15/16	SDAF 22544	SDAF 544	22244 K	1500	SNW 44 x 7-15/16	LER 236	FR400 x 10	EPR 24

Note: \* Typical suffix to the bearing part number is C3W33 where C3 is the internal clearance and W33 indicates a lube groove on the bearing O.D. K indicates a taper bore bearing. For example specify 22220 K C3W33. Other clearances available upon request. Seals and Fixing Ring included with Pillow Block Housing. Taconite seals also available.



# Pillow Block Housings

## SDAF 600 Series



### SDAF 600 - Housing Dimensions

Dimensions in inches

Housing No.	A	B	b	D	E		E1	F	G	H	L	Bolts (No. Req'd)	Housing Wt. lb
					mm	Min							
SDAF 616	4.250	14.25	5.50	170	10.63	12.63	3.25	67.8	1.75	8.25	6.38	(4) 5/8	49
SDAF 617	4.500	15.25	6.00	180	11.63	12.13	3.38	69.8	1.88	8.94	6.75	(4) 3/4	67
SDAF 618	4.750	15.50	6.12	190	12.00	13.50	3.63	73.8	2.00	9.44	6.88	(4) 3/4	72
SDAF 620	5.250	16.50	6.88	215	13.25	14.50	4.12	82.8	2.25	10.50	7.38	(4) 7/8	110
SDAF 622	6.000	18.38	7.50	240	14.63	16.00	4.50	89.8	2.38	11.88	8.00	(4) 1	147
SDAF 624	6.312	21.25	7.88	260	17.00	18.25	4.75	95.8	2.50	12.81	8.38	(4) 1-1/8	172
SDAF 626	6.687	22.00	8.25	280	17.38	19.25	5.00	102.8	2.50	13.69	8.75	(4) 1-1/8	194
SDAF 628	7.062	24.75	9.00	300	19.38	21.63	5.50	111.8	2.50	14.25	9.38	(4) 1-1/4	228
SDAF 630	7.500	26.75	9.38	320	20.88	23.63	5.88	117.8	2.75	15.19	9.75	(4) 1-1/4	300
SDAF 632	7.875	27.63	10.00	340	21.50	23.50	6.25	123.8	3.00	16.25	10.63	(4) 1-3/8	355
SDAF 634	8.250	28.75	10.50	360	23.00	25.00	6.75	129.8	3.25	17.12	11.12	(4) 1-3/8	392
SDAF 636	8.875	30.50	10.75	380	24.12	26.63	6.88	135.8	3.25	17.94	11.38	(4) 1-1/2	405
SDAF 638	9.500	32.00	11.25	400	25.63	27.88	7.25	141.8	3.50	19.25	11.88	(4) 1-1/2	484
SDAF 640	9.875	33.50	11.75	420	26.63	29.25	7.63	147.8	3.50	19.94	12.38	(4) 1-5/8	564

### SDAF 226 - Pillow Block Part Number

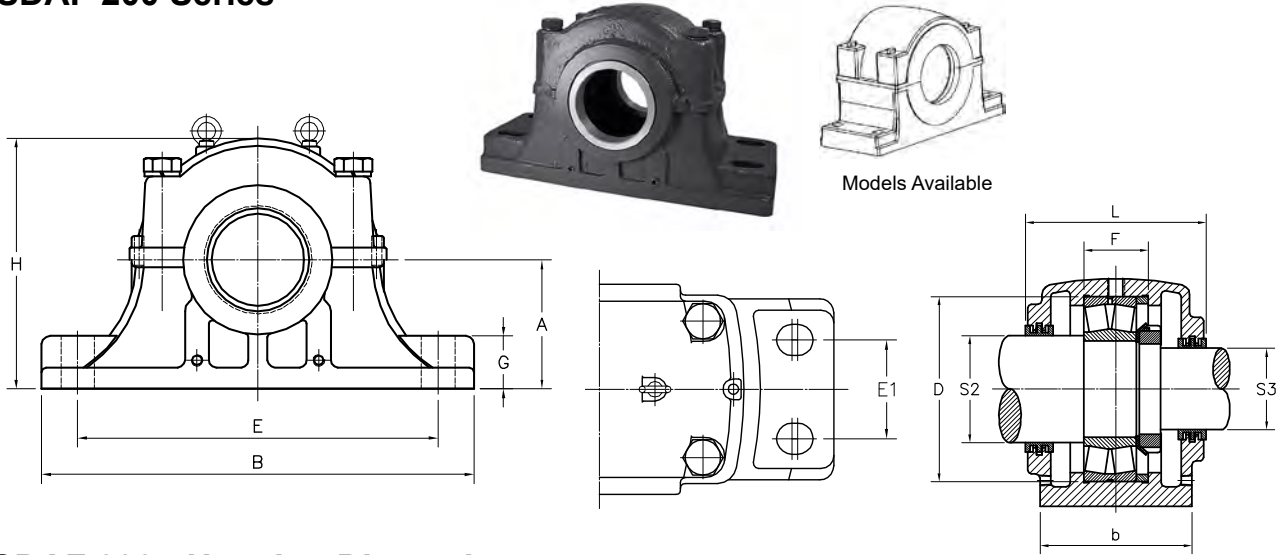
Shaft Diameter S-1 in	Complete Pillow Block Part No.	Pillow Block Housing Only Part No.	Bearing Part No. *	Basic Dynamic Load Rating C kN	Adapter Locknut and Lockwasher Part No.	Labyrinth Seal (2 required) Part No.	Fixing Ring (1 required) Part No.	End Cover (optional) Part No.
2-11/16	SDAF 22616	SDAF 616	22316 K	370	SNW 116 x 2-11/16	LER 44	FR170 x 10	EPR 8
2-15/16	SDAF 22617	SDAF 617	22317 K	420	SNW 117 x 2-15/16	LER 59	FR180 x 10	EPR 10
3-3/16	SDAF 22618	SDAF 618	22318 K	475	SNW 118 x 3-3/16	LER 69	FR190 x 10	EPR 11
3-7/16	SDAF 22620	SDAF 620	22320 K	600	SNW 120 x 3-7/16	LER 75	FR215 x 10	EPR 11
3-15/16	SDAF 22622	SDAF 622	22322 K	720	SNW 122 x 3-15/16	LER 93	FR240 x 10	EPR 13
4-3/16	SDAF 22624	SDAF 624	22324 K	840	SNW 124 x 4-3/16	LER 113	FR260 x 10	EPR 14
4-7/16	SDAF 22626	SDAF 626	22326 K	970	SNW 126 x 4-7/16	LER 117	FR280 x 10	EPR 15
4-15/16	SDAF 22628	SDAF 628	22328 K	1120	SNW 128 x 4-15/16	LER 122	FR300 x 10	EPR 27
5-3/16	SDAF 22630	SDAF 630	22330 K	1250	SNW 130 x 5-3/16	LER 125	FR310 x 10	EPR 16
5-7/16	SDAF 22632	SDAF 632	22332 K	1375	SNW 132 x 5-7/16	LER 211	FR340 x 10	EPR 17
5-15/16	SDAF 22634	SDAF 634	22334 K	1540	SNW 134 x 5-15/16	LER 215	FR360 x 10	EPR 19
6-7/16	SDAF 22636	SDAF 636	22336 K	1725	SNW 136 x 6-7/16	LER 220	FR380 x 10	EPR 26
6-15/16	SDAF 22638	SDAF 638	22338 K	1860	SNW 138 x 6-15/16	LER 224	FR400 x 10	EPR 21
7-3/16	SDAF 22640	SDAF 640	22340 K	2010	SNW 140 x 7-3/16	LER 228	FR420 x 10	EPR 22

Note: \* Typical suffix to the bearing part number is C3W33 where C3 is the internal clearance and W33 indicates a lube groove on the bearing O.D. K indicates a taper bore bearing. For example specify 22322 K C3W33. Other clearances available upon request. Seals and Fixing Ring included with Pillow Block Housing. Taconite Seals also available.

# Pillow Block Housings



## SDAF 200 Series



### SDAF 200 - Housing Dimensions

Dimensions in inches

Housing No.	A	B	b	D		E		E1	F	G	H	L	Bolts (No. Req'd)	Housing Wt. lb
				mm	Min	Max	mm							
SDAF 220	4.500	15.25	6.00	180	11.63	13.12	3.38	55.8	1.88	8.94	6.75	(4) 3/4	69	
SDAF 222	4.937	16.50	6.75	200	12.63	14.50	4.00	62.8	2.12	9.88	7.25	(4) 1-7/8	100	
SDAF 224	5.250	16.50	6.88	215	13.25	14.50	4.12	67.8	2.25	10.50	7.38	(4) 7/8	106	
SDAF 226	6.000	18.38	7.50	230	14.63	16.00	4.50	73.8	2.38	11.88	8.00	(4) 1	147	
SDAF 228	6.000	20.12	7.50	250	16.00	17.12	4.50	77.8	2.38	12.06	7.94	(4) 1	141	
SDAF 230	6.312	21.25	7.88	270	17.00	18.25	4.75	82.8	2.50	12.81	8.38	(4) 1-1/8	157	
SDAF 232	6.687	22.00	8.25	290	17.38	19.25	5.00	89.8	2.50	13.69	8.75	(4) 1-1/8	188	
SDAF 234	7.062	24.75	9.00	310	19.38	21.63	5.50	95.8	2.50	14.25	9.63	(4) 1-1/4	212	
SDAF 236	7.500	26.75	9.38	320	20.88	23.63	5.88	95.8	2.75	15.19	10.00	(4) 1-1/4	276	
SDAF 238	7.875	27.63	10.00	340	21.50	23.50	6.25	101.8	3.00	16.25	10.63	(4) 1-3/8	338	
SDAF 240	8.250	28.75	10.50	360	23.00	25.00	5.75	107.8	3.25	17.12	11.12	(4) 1-3/8	344	
SDAF 244	9.500	32.00	11.25	400	25.63	27.88	7.25	117.8	3.50	19.25	11.88	(4) 1-1/2	520	

### SDAF 222 - Pillow Block Part Number

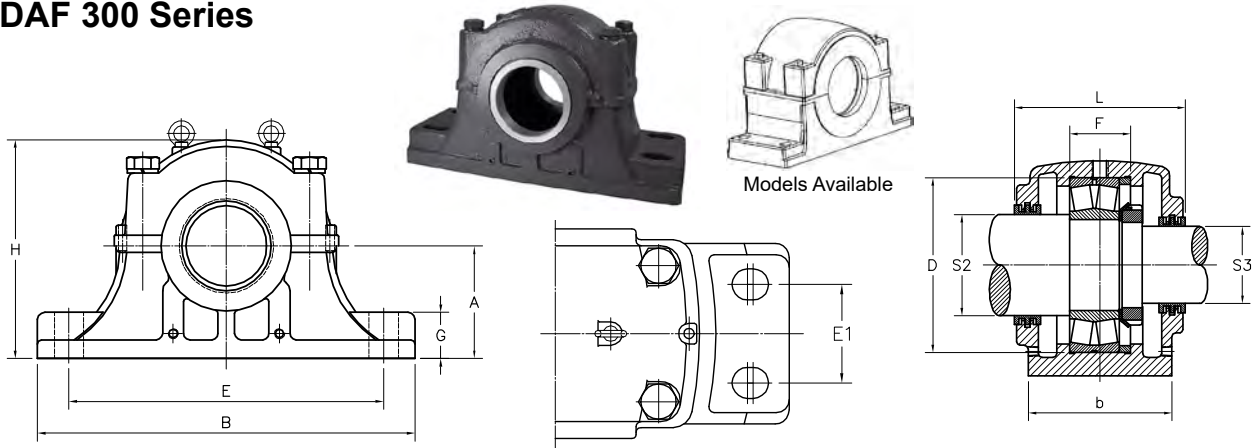
Shaft Dia.		Complete Pillow Block Part No.	Pillow Block Housing Only Part No.	Bearing Part No. *	Basic Dynamic Load Rating C kN	Locknut Part No.	Lockwasher Part No.	Labyrinth Seal Ring Part No.		Fixing Ring (1 Required) Part No.	End Cover (optional) Part No.
S-2 in	S-3 in							S-2 in	S-3 in		
4-1/2	3-13/16	SDAF 22220	SDAF 220	22220	310	AN 20	W 20	LER 205	LER 87	FR180 x 10	EPR 12
4-7/8	4-3/16	SDAF 22222	SDAF 222	22222	405	AN 22	W 22	LER 121	LER 113	FR200 x 10	EPR 14
5-5/16	4-9/16	SDAF 22224	SDAF 224	22224	465	AN 24	W 24	LER 127	LER 119	FR215 x 10	EPR 15
5-7/8	4-15/16	SDAF 22226	SDAF 226	22226	545	AN 26	W 26	LER 136	LER 122	FR230 x 10	EPR 27
6-1/4	5-5/16	SDAF 22228	SDAF 228	22228	605	AN 28	W 28	LER 144	LER 127	FR250 x 10	EPR 16
6-5/8	5-3/4	SDAF 22230	SDAF 230	22230	730	AN 30	W 30	LER 151	LER 134	FR270 x 10	EPR 17
7	6-1/16	SDAF 22232	SDAF 232	22232	860	AN 32	W 32	LER 156	LER 142	FR290 x 10	EPR 18
7-7/16	6-7/16	SDAF 22234	SDAF 234	22234	975	AN 34	W 34	LER 161	LER 148	FR310 x 10	EPR 19
7-13/16	6-7/8	SDAF 22236	SDAF 236	22236	1000	AN 36	W 36	LER 165	LER 154	FR310 x 10	EPR 20
8-3/8	7-1/4	SDAF 22238	SDAF 238	22238	1100	AN 38	W 38	LER 240	LER 229	FR340 x 10	EPR 22
8-3/4	7-5/8	SDAF 22240	SDAF 240	22240	1250	AN 40	W 40	LER 244	LER 233	FR360 x 10	EPR 23
9-9/16	8-5/16	SDAF 22244	SDAF 244	22244	1500	AN 44	W 44	LER 248	LER 239	FR400 x 10	EPR 25

Note: \* Typical suffix to the bearing part number is C3W33 where C3 is the internal clearance and W33 indicates a lube groove on the bearing O.D. For example specify 22220 C3W33. Other bearing clearance available upon request. Seals and Fixing Ring included with Pillow Block Housing.

# Pillow Block Housings



## SDAF 300 Series



### SDAF 300 K - Housing Dimensions

Dimensions in inches

Housing No.	A	B	b	D		E		E1	F	G	H	L	Bolts (No. Req'd)	Housing Wt. lb
				mm	Min	Max	mm							
SDAF 316	4.250	14.25	5.50	170	10.63	12.63	3.25	67.8	1.75	8.25	6.38	(4) 5/8	53	
SDAF 317	4.500	15.25	6.00	180	11.63	13.12	3.38	69.8	1.88	8.94	6.75	(4) 3/4	67	
SDAF 318	4.750	15.50	6.12	190	12.00	13.50	3.63	73.8	2.00	9.44	6.88	(4) 3/4	72	
SDAF 320	5.250	16.50	6.88	215	13.25	14.50	4.12	82.8	2.25	10.50	7.38	(4) 7/8	106	
SDAF 322	6.000	18.38	7.50	240	14.63	16.00	4.50	89.8	2.38	11.88	8.00	(4) 1	149	
SDAF 324	6.312	21.25	7.88	260	17.00	18.25	4.75	95.8	2.50	12.81	8.38	(4) 1-1/8	172	
SDAF 326	6.687	22.00	8.25	280	17.38	19.25	5.00	102.8	2.50	13.69	8.75	(4) 1-1/8	195	
SDAF 328	7.437	24.75	9.00	300	19.38	21.63	5.50	111.8	2.50	14.25	9.38	(4) 1-1/4	228	
SDAF 330	7.500	26.75	9.38	320	20.88	23.63	5.88	117.8	2.75	15.19	9.75	(4) 1-1/4	302	
SDAF 332	7.875	27.63	10.00	340	21.50	23.50	6.25	123.8	3.00	16.25	10.63	(4) 1-3/8	355	
SDAF 334	8.250	28.75	10.50	360	23.00	25.00	6.75	129.8	3.25	17.12	11.12	(4) 1-3/8	380	
SDAF 336	8.875	30.50	10.75	380	24.12	26.38	6.88	135.8	3.25	17.94	11.38	(4) 1-1/2	405	
SDAF 338	9.500	32.00	11.25	400	25.63	27.88	7.25	141.8	3.50	19.25	11.88	(4) 1-1/2	522	
SDAF 340	9.875	33.50	11.75	420	26.63	29.25	7.63	147.8	3.50	19.94	12.38	(4) 1-5/8	564	

### SDAF 223 - Pillow Block Part Number

Shaft Dia.		Complete Pillow Block. Part No.	Pillow Block Housing Only Part No.	Bearing Part No. *	Basic Dynamic Load Rating C kN	Locknut Part No.	Lockwasher Part No.	Labyrinth Seal Part No.		Fixing Ring (1 Req'd) Part No.	End Cover (optional) Part No.
S-2 in	S-3 in							S-2 in	S-3 in		
3-5/8	3	SDAF 22316	SDAF 316	22316	370	AN 16	W 16	LER 84	LER 60	FR170 x 10	EPR 10
3-15/16	3-3/16	SDAF 22317	SDAF 317	22317	420	AN 17	W 17	LER 93	LER 69	FR180 x 10	EPR 11
4-1/8	3-3/8	SDAF 22318	SDAF 318	22318	475	AN 18	W 18	LER 96	LER 72	FR190 x 10	EPR 11
4-1/2	3-13/16	SDAF 22320	SDAF 320	22320	600	AN 20	W 20	LER 205	LER 87	FR215 x 10	EPR 12
4-7/8	4-3/16	SDAF 22322	SDAF 322	22322	720	AN 22	W 22	LER 121	LER 113	FR240 x 10	EPR 14
5-5/16	4-9/16	SDAF 22324	SDAF 324	22324	840	AN 24	W 24	LER 127	LER 119	FR260 x 10	EPR 15
5-7/8	4-15/16	SDAF 22326	SDAF 326	22326	970	AN 26	W 26	LER 136	LER 122	FR280 x 10	EPR 27
6-1/4	5-5/16	SDAF 22328	SDAF 328	22328	1120	AN 28	W 28	LER 144	LER 127	FR300 x 10	EPR 16
6-5/8	5-3/4	SDAF 22330	SDAF 330	22330	1250	AN 30	W 30	LER 151	LER 134	FR310 x 10	EPR 17
7	6-1/16	SDAF 22332	SDAF 332	22332	1375	AN 32	W 32	LER 225	LER 217	FR340 x 10	EPR 19
7-7/16	6-7/16	SDAF 22334	SDAF 334	22334	1540	AN 34	W 34	LER 230	LER 220	FR360 x 10	EPR 26
7-13/16	6-7/8	SDAF 22336	SDAF 336	22336	1725	AN 36	W 36	LER 234	LER 223	FR380 x 10	EPR 21
8-3/8	7-1/4	SDAF 22338	SDAF 338	22338	1860	AN 38	W 38	LER 240	LER 229	FR400 x 10	EPR 22
8-3/4	7-5/8	SDAF 22340	SDAF 340	22340	2010	AN 40	W 40	LER 244	LER 233	FR420 x 10	EPR 23

Note: \* Typical suffix to the bearing part number is C3W33 where C3 is the internal clearance and W33 indicates a lube groove on the bearing O.D. For example specify 22316 C3W33. Other bearing clearance available upon request. Seals and Fixing Ring included with Pillow Block Housing.

# Pillow Block Housings

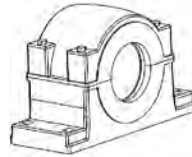
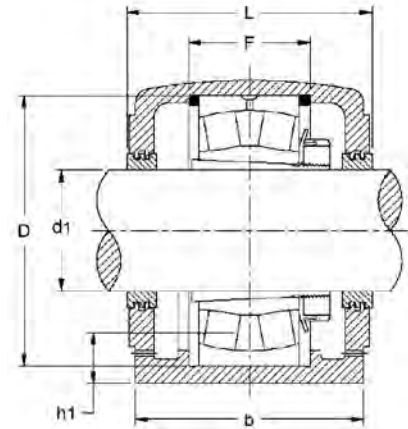


## SAF 000 Series (Cast Iron)

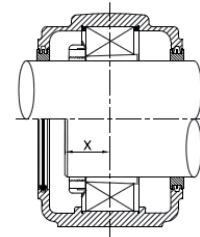
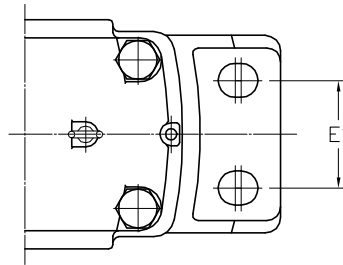
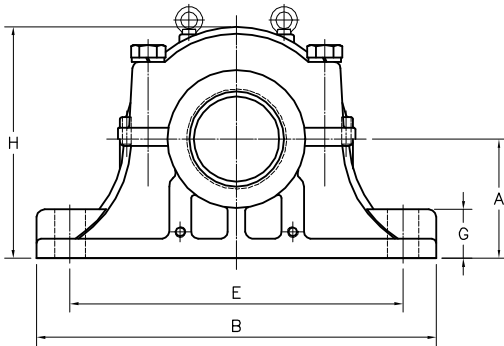
## SAFS 000 Series (Steel)



SAF 000 Series Split Blocks are heavy duty units and available in Cast Iron and Steel. Ductile units available on request. These housings utilize the 230 Series Spherical Roller Bearing and can be fitted with Taconite Seals for harsh environments. Other housing modifications for RTD or Vibration Sensors are available on request.



Models Available



## SAF & SAFS 000 K - Housing Dimensions

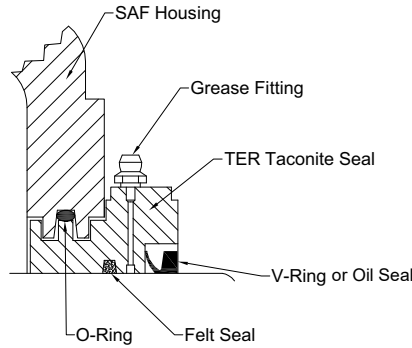
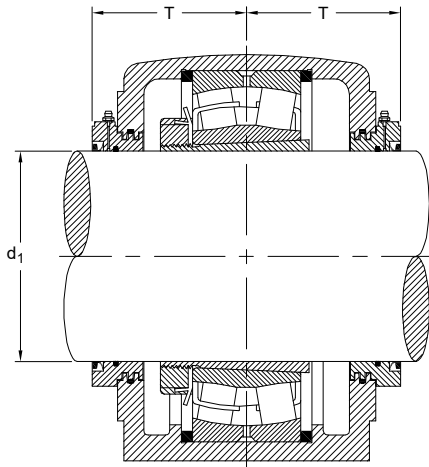
Dimensions in inches

Cast Iron Housing No.	Steel Housing No.	A	B	b	D		E1	F	G	H	Static oil level h <sub>1</sub>	L	T	Base Bolts (No. Req'd)	X		Housing Wt. lb (Cast)
					mm	Min Max									mm	mm in	
SAF024 K x 4-3/16	SAFS024 K x 4-3/16	4.500	15.25	4.38	180	11.63 13.12	2.38	65.6	1.75	8.75	1.6	6.00	4.50	(4) 3/4	47	1.85	48
SAF026 K x 4-7/16	SAFS026 K x 4-7/16	4.937	16.50	4.75	200	12.63 14.50	2.75	71.6	2.00	9.63	1.7	6.50	4.62	(4) 3/4	52	2.05	56
SAF028 K x 4-15/16	SAFS028 K x 4-15/16	5.250	16.50	4.75	210	13.25 14.50	2.75	72.6	2.12	10.25	1.8	7.38	5.06	(4) 3/4	54	2.13	69
SAF030 K x 5-3/16	SAFS030 K x 5-3/16	6.000	18.38	5.12	225	14.63 16.00	3.25	75.6	2.38	11.56	2.2	8.00	5.40	(4) 7/8	57	2.24	107
SAF032 K x 5-7/16	SAFS032 K x 5-7/16	6.000	18.38	5.12	240	14.63 16.00	3.25	79.6	2.38	11.56	2.1	8.00	5.47	(4) 7/8	61	2.40	125
SAF034 K x 5-15/16	SAFS034 K x 5-15/16	6.000	20.12	5.88	260	16.00 17.12	3.38	86.6	2.38	11.75	1.7	7.63	5.16	(4) 1	65	2.56	120
SAF036 K x 6-7/16	SAFS036 K x 6-7/16	6.687	22.00	6.25	280	17.38 19.25	3.75	93.6	2.63	13.50	—	8.75	—	(4) 1	70	2.76	172
SAF038 K x 6-15/16	SAFS038 K x 6-15/16	6.687	22.00	6.25	290	17.38 19.25	3.75	94.6	2.63	13.50	2.1	8.75	5.72	(4) 1	72	2.83	167
SAF040 K x 7-3/16	SAFS040 K x 7-3/16	7.062	24.75	6.75	310	19.38 21.63	4.25	101.6	2.75	14.38	2.0	9.63	5.72	(4) 1	77	3.03	193
SAF044 K x 7-15/16	SAFS044 K x 7-15/16	7.875	28.00	7.50	340	21.63 24.38	4.50	109.6	3.12	15.88	2.3	10.63	6.30	(4) 1-1/4	79	3.11	304
SAF048 K x 8-7/16	SAFS048 K x 8-7/16	8.250	29.50	8.00	360	22.50 25.00	5.00	111.6	3.38	16.50	2.3	11.25	6.72	(4) 1-1/4	84	3.31	270
SAF048 K x 8-1/2	SAFS048 K x 8-1/2	8.250	29.50	8.00	360	22.50 25.00	5.00	111.6	3.38	16.50	2.3	11.25	6.72	(4) 1-1/4	84	3.31	270
SAF048 K x 8-15/16	SAFS048 K x 8-15/16	8.250	29.50	8.00	360	22.50 25.00	5.00	111.6	3.38	16.50	2.3	11.25	6.72	(4) 1-1/4	84	3.31	270
SAF048 K x 9	SAFS048 K x 9	8.250	29.50	8.00	360	22.50 25.00	5.00	111.6	3.38	16.50	2.3	11.25	6.72	(4) 1-1/4	84	3.31	270
SAF052 K x 9-7/16	SAFS052 K x 9-7/16	9.500	32.75	8.75	400	24.75 27.88	5.25	123.6	3.75	18.63	3.0	12.00	8.07	(4) 1-1/2	90	3.54	450
SAF052 K x 9-1/2	SAFS052 K x 9-1/2	9.500	32.75	8.75	400	24.75 27.88	5.25	123.6	3.75	18.63	3.0	12.00	8.07	(4) 1-1/2	90	3.54	450
SAF056 K x 9-15/16	SAFS056 K x 9-15/16	9.875	34.75	9.00	420	26.25 29.50	5.50	125.6	4.00	20.19	3.0	12.25	7.32	(4) 1-1/2	96	3.78	507
SAF056 K x 10	SAFS056 K x 10	9.875	34.75	9.00	420	26.25 29.50	5.50	125.6	4.00	20.19	3.0	12.25	7.32	(4) 1-1/2	96	3.78	507
SAF056 K x 10-7/16	SAFS056 K x 10-7/16	9.875	34.75	9.00	420	26.25 29.50	5.50	125.6	4.00	20.19	3.0	12.25	7.32	(4) 1-1/2	96	3.78	507
SAF056 K x 10-1/2	SAFS056 K x 10-1/2	9.875	34.75	9.00	420	26.25 29.50	5.50	125.6	4.00	20.19	3.0	12.25	7.32	(4) 1-1/2	96	3.78	507

# Pillow Block Housing Accessories



## SAF & SAFS 000 Series



- The SAF 000 Housing includes LER or ER Seals and fixing rings.
- For a complete assembly order a Spherical Bearing and Adapter.
- The adapter includes a locknut and lock washer or locking clip.
- Adapters above 8" are recommended with a Hydraulic removal feature.
- Hydraulic mounting nuts are also available as an installation tool. See HMV Nuts.

## SAF & SAFS 230K - Pillow Block Part Numbers

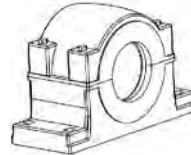
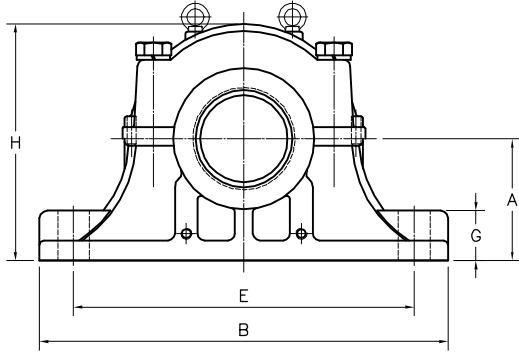
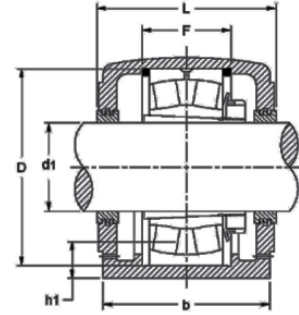
Shaft Size d <sub>1</sub> in	Complete Pillow Block Part No.**	Pillow Block Housing Only Part No.**	Bearing Part No.	Basic Dynamic Load Rating C kN	Adapter Part No.	Labyrinth Seal Ring (2 Req'd) Part No.	Fixing Ring (2 Req'd) Part No.	End Cover (optional) Part No.	Taconite Seal Part No.
4-3/16	SAF23024 K x 4-3/16	SAF024 K x 4-3/16	23024 K C3W33	300	H 3024 x 4-3/16	LER 113*	FR180 x 10	EPR 14	TER113
4-7/16	SAF23026 K x 4-7/16	SAF026 K x 4-7/16	23026 K C3W33	370	H 3026 x 4-7/16	LER 117*	FR200 x 10	EPR 15	TER117
4-15/16	SAF23028 K x 4-15/16	SAF028 K x 4-15/16	23028 K C3W33	395	H 3028 x 4-15/16	LER 122*	FR210 x 10	EPR 27	TER122
5-3/16	SAF23030 K x 5-3/16	SAF030 K x 5-3/16	23030 K C3W33	435	H 3030 x 5-3/16	LER 125*	FR225 x 10	EPR 16	TER125
5-7/16	SAF23032 K x 5-7/16	SAF032 K x 5-7/16	23032 K C3W33	500	H 3032 x 5-7/16	LER 130*	FR240 x 10	EPR 16	TER130
5-15/16	SAF23034 K x 5-15/16	SAF034 K x 5-15/16	23034 K C3W33	620	H 3034 x 5-15/16	LER 140*	FR260 x 10	EPR 18	TER140
6-7/16	SAF23036 K x 6-7/16	SAF036 K x 6-7/16	23036 K C3W33	720	H 3036 x 6-7/16	LER 148*	FR280 x 10	EPR 19	TER148
6-15/16	SAF23038 K x 6-15/16	SAF038 K x 6-15/16	23038 K C3W33	750	H 3038 x 6-15/16	LER 155*	FR290 x 10	EPR 20	TER155
7-3/16	SAF23040 K x 7-3/16	SAF040 K x 7-3/16	23040 K C3W33	875	H 3040 x 7-3/16	LER 159*	FR310 x 10	EPR 21	TER159
7-15/16	SAF23044 K x 7-15/16	SAF044 K x 7-15/16	23044 K C3W33	1040	H 3044 x 7-15/16	LER 167*	FR340 x 10	EPR 23	TER167
8-7/16	SAF23048 K x 8-7/16	SAF048 K x 8-7/16	23048 K C3W33	1125	OH 3048 x 8-7/16	LER 550	FR360 x 10	EPR5217-4	TER550
8-1/2	SAF23048 K x 8-1/2	SAF048 K x 8-1/2	23048 K C3W33	1125	OH 3048 x 8-1/2	LER 551	FR360 x 10	EPR5217-4	TER551
8-15/16	SAF23048 K x 8-15/16	SAF048 K x 8-15/16	23048 K C3W33	1125	OH 3048 x 8-15/16	LER 552	FR360 x 10	EPR5217-4	TER552
9	SAF23048 K x 9	SAF048 K x 9	23048 K C3W33	1125	OH 3048 x 9	LER 513	FR360 x 10	EPR5217-4	TER513
9-7/16	SAF23052 K x 9-7/16	SAF052 K x 9-7/16	23052 K C3W33	1400	OH 3052 x 9-7/16	LER 553	FR400 x 10	EPR5217-2	TER553
9-1/2	SAF23052 K x 9-1/2	SAF052 K x 9-1/2	23052 K C3W33	1400	OH 3052 x 9-1/2	LER 178	FR400 x 10	EPR5217-2	TER891
9-15/16	SAF23056 K x 9-15/16	SAF056 K x 9-15/16	23056 K C3W33	1500	OH 3056 x 9-15/16	ER 751	FR420 x 10	EPR5217-1	TER751
10	SAF23056 K x 10	SAF056 K x 10	23056 K C3W33	1500	OH 3056 x 10	ER 705	FR420 x 10	EPR5217-1	TER705
10-7/16	SAF23056 K x 10-7/16	SAF056 K x 10-7/16	23056 K C3W33	1500	OH 3056 x 10-7/16	ER 745	FR420 x 10	EPR5217-1	TER745
10-1/2	SAF23056 K x 10-1/2	SAF056 K x 10-1/2	23056 K C3W33	1500	OH 3056 x 10-1/2	ER 710	FR420 x 10	EPR5217-1	TER710

Note: \* PER Seals also stock. \*\* For Steel Housings change part number to SAFS.

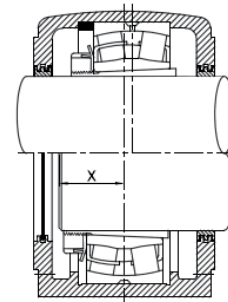
# Pillow Block Housings



## SDAF 230 Series



Models Available



### SDAF 230 K - Housing Dimensions

Dimensions in inches

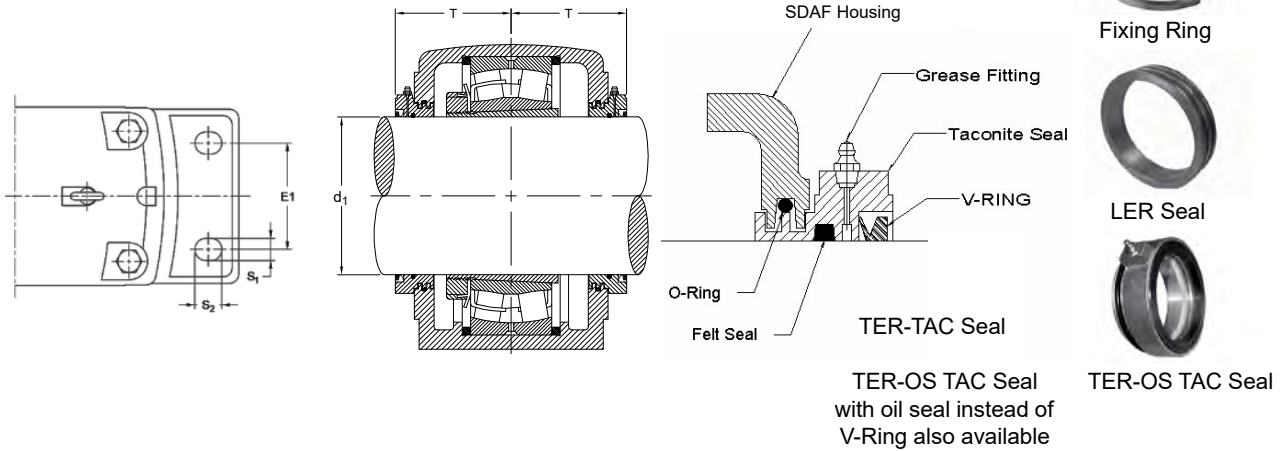
Housing No. *	A	B	b	D	E		E1	F	G	H	Static Oil Level h <sub>1</sub>	L	Cap Bolts (No. Required)	Base Bolts (No. Required)	S <sub>1</sub>	S <sub>2</sub>	T	X		Housing Wt. lb
					mm	Min												Max	mm	
SDAF 3060 K x 10-15/16 SDAF 3060 K x 11	12	38-1/4	14-3/4	460	32-3/4	33-1/2	9	128	3-3/8	23-7/16	4.40	15-1/8	(4)1-1/4	(4)1-5/8	1-7/8	2-1/4	9-7/16	109	4.29	1150
SDAF 3064 K x 11-7/16 SDAF 3064 K x 11-1/2 SDAF 3064 K x 11-15/16 SDAF 3064 K x 12	12	38-1/4	14-3/4	480	32-3/4	33-1/2	9	131	3-3/8	23-7/16	4.00	15-1/8	(4)1-1/2	(4)1-5/8	2-1/4	3	9-7/16	108	4.25	1275
SDAF 3068 K x 12-7/16 SDAF 3068 K x 12-1/2	12	39	15-1/4	520	32	33-1/2	10	143	4-3/16	24	3.38	15-3/4	(4)1-1/2	(4)1-7/8	2-3/8	3-1/8	10-1/8	117	4.61	1600
SDAF 3072 K x 12-15/16 SDAF 3072 K x 13 SDAF 3072 K x 13-7/16 SDAF 3072 K x 13-1/2	12-13/16	41-3/4	15-3/4	540	35	36-1/2	10-1/2	144	4-1/2	25-3/4	3.72	15-7/8	(4)1-1/2	(4)1-7/8	2-7/16	3-3/16	10-3/16	118	4.65	1650
SDAF 3076 K x 13-15/16 SDAF 3076 K x 14	12-13/16	41-3/4	15-3/4	560	35	36-1/2	10-1/2	145	4-1/2	25-3/4	3.38	15-7/8	(4)1-1/2	(4)1-7/8	2-7/16	3-3/16	10-1/4	121	4.76	1700
SDAF 3080 K x 14-15/16 SDAF 3080 K x 15	14-1/2	46	17-1/8	600	39-1/4	40-3/4	11	158	5-1/4	29	4.44	17-1/4	(4)1-1/2	(4)2	2-7/16	3-1/8	10-15/16	132	5.20	2300
SDAF 3084 K x 15-3/4	14-1/2	46	17-1/8	620	39-1/4	40-3/4	11	170	5-1/4	29	4.10	17-1/4	(4)1-1/2	(4)2	2-7/16	3-1/8	10-15/16	133	5.24	2300
SDAF 3088 K x 16-1/2	15-1/2	48-3/4	18-3/4	650	41-7/8	43-3/8	12-1/4	177	5-1/2	30-1/2	4.50	19-1/4	(4)1-1/2	(4)2-1/4	2-3/8	3-1/4	11-15/16	145	5.71	2500
SDAF 3092 K x 17	15-1/2	48-3/4	18-3/4	680	41-7/8	43-3/8	12-1/4	183	5-1/2	30-1/2	4.00	19-1/4	(4)1-1/2	(4)2-1/4	2-3/8	3-1/4	11-15/16	148	5.83	2800
SDAF 3096 K x 18	17	53	21	700	44-3/8	46-1/8	14-1/2	185	5-1/2	33-3/4	5-13	21-3/4	(4)1-1/2	(4)2-1/4	2-3/8	3-1/4	13-3/16	149	5.87	4300
SDAF 30/500 K x 18-1/2	17	53	21	720	44-3/8	46-1/8	14-1/2	187	5-1/2	33-3/4	4.75	21-3/4	(4)1-1/2	(4)2-1/4	2-3/8	3-1/4	13-3/16	158	6.22	4400
SDAF 30/530 K x 19-1/2	18	54-1/4	21-5/8	780	47-1/8	48-7/8	15	205	5-3/4	35-3/4	4.81	22-1/4	(4)1-1/2	(4)2-1/2	2-5/8	3-1/2	—	167	6.57	5200
SDAF 30/560 K x 21	18	54-1/4	21-5/8	820	47-1/8	48-7/8	15	225	5-3/4	35-3/4	—	22-1/4	(4)1-1/2	(4)2-1/2	2-5/8	3-1/2	—	—	—	5400
SDAF 30/600 K x 22	20	60	22	870	54-1/8	58-7/8	15	220	6	40	—	24-5/8	(4)2	(4)3	3-1/4	3-3/4	—	—	—	5800
SDAF 30/630 K x 24	20	60	22	920	54-1/8	58-7/8	15	232	6	40	—	24-5/8	(4)2	(4)3	3-1/4	3-3/4	—	—	—	5800

Note: \* SDAFD (Ductile) and SDAFS (Steel) housings available on request.

# Pillow Block Housing Accessories



## SDAF 230 Series



## SDAF 230K - Pillow Block Part Numbers

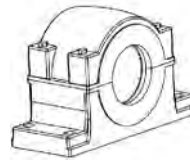
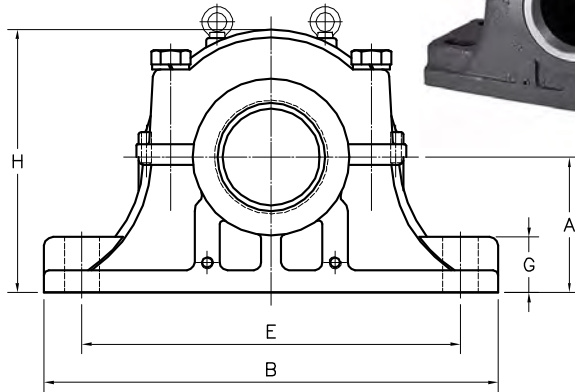
Shaft Size d <sub>1</sub> in	Complete Pillow Block Part No.	Pillow Block Housing Only Part No. **	Bearing Part No. *	Basic Dynamic Load Rating C kN	Adapter Part No.	Labyrinth Seal Ring (2 Req'd) Part No.	Fixing Ring (No. Req'd) Part No.	End Cover Part No.	Taconite Seal Part No.
10-15/16 11	SDAF 23060 K x 10-15/16 SDAF 23060 K x 11	SDAF 3060 K x 10-15/16 SDAF 3060 K x 11	23060KC3W33	1890	OH3060 x 10-15/16 OH3060 x 11	ER858 ER825	FR460 x 10 (1)	EPR5217-9	TER858 TER825
11-7/16 11-1/2 11-15/16 12	SDAF 23064 K x 11-7/16 SDAF 23064 K x 11-1/2 SDAF 23064 K x 11-15/16 SDAF 23064 K x 12	SDAF 3064 K x 11-7/16 SDAF 3064 K x 11-1/2 SDAF 3064 K x 11-15/16 SDAF 3064 K x 12	23064KC3W33	1960	OH3064 x 11-7/16 OH3064 x 11-1/2 OH3064 x 11-15/16 OH3064 x 12	ER861 ER832 ER859 ER818	FR480 x 10 (1)	EPR5217-16	TER861 TER832 TER859 TER818
12-7/16 12-1/2	SDAF 23068 K x 12-7/16 SDAF 23068 K x 12-1/2	SDAF 3068 K x 12-7/16 SDAF 3068 K x 12-1/2	23068KC3W33	2310	OH3068 x 12-7/16 OH3068 x 12-1/2	ER865 ER866	FR520 x 10 (1)	EPR5217-29	TER865 TER866
12-15/16 13 13-7/16 13-1/2	SDAF 23072 K x 12-15/16 SDAF 23072 K x 13 SDAF 23072 K x 13-7/16 SDAF 23072 K x 13-1/2	SDAF 3072 K x 12-15/16 SDAF 3072 K x 13 SDAF 3072 K x 13-7/16 SDAF 3072 K x 13-1/2	23072KC3W33	2370	OH3072 x 12-15/16 OH3072 x 13 OH3072 x 13-7/16 OH3072 x 13-1/2	ER869 ER846 ER872 ER823	FR540 x 10 (1)	EPR5217-27	TER869 TER846 TER872 TER823
13-15/16 14	SDAF 23076 K x 13-15/16 SDAF 23076 K x 14	SDAF 3076 K x 13-15/16 SDAF 3076 K x 14	23076KC3W33	2500	OH3076 x 13-15/16 OH3076 x 14	ER875 ER876	FR560 x 10 (1)	EPR5217-12	TER875 TER876
14-15/16 15	SDAF 23080 K x 14-15/16 SDAF 23080 K x 15	SDAF 3080 K x 14-15/16 SDAF 3080 K x 15	23080KC3W33	2980	OH3080 x 14-15/16 OH3080 x 15	ER847R ER847	FR600 x 10 (1)	EPR5217-21	TER847R TER847
15-3/4 16-1/2 17 18	SDAF 23084 K x 15-3/4 SDAF 23088 K x 16-1/2 SDAF 23092 K x 17 SDAF 23096 K x 18	SDAF 3084 K x 15-3/4 SDAF 3088 K x 16-1/2 SDAF 3092 K x 17 SDAF 3096 K x 18	23084KC3W33 23088KC3W33 23092KC3W33 23096KC3W33	3100 3300 3600 3650	OH3084 x 15-3/4 OH3088 x 16-1/2 OH3092 x 17 OH3096 x 18	ER969 ER958 ER838 ER888	FR620 x 10 (1) FR650 x 10 (2) FR680 x 10 (2) FR700 x 10 (2)	EPR5217-23 EPR5217-25 EPR838 EPR888	TER969 TER958 TER838 TER888
18-1/2 19-1/2 21 22 24	SDAF 230/500 K x 18-1/2 SDAF 230/530 K x 19-1/2 SDAF 230/560 K x 21 SDAF 230/600 K x 22 SDAF 230/630 K x 24	SDAF 30/500 x 18-1/2 SDAF 30/530 x 19-1/2 SDAF 30/560 x 21 SDAF 30/600 x 22 SDAF 30/630 x 24	230/500KC3W33 230/530KC3W33 230/560KC3W33 230/600KC3W33 230/630KC3W33	3900 4400 5100 5700 6300	OH30/500 x 18-1/2 OH30/530 x 19-1/2 OH30/560 x 21 OH30/600 x 22 OH30/630 x 24	ER978 ER926 ER933 ER986 ER987	FR720 x 10 (2) FR780 x 10 (2) FR820 x 10 (2) FR870 x 10 (2) FR920 x 10 (2)	EPR978 EPR926 EPR933 EPR986 EPR987	TER978 TER926 TER933 TER986 TER987

Note: \* Typical suffix to the bearing part number is KC3W33 where K indicates taper bore, C3 is the internal clearance and W33 indicates a lube groove on the bearing O.D. For example specify 23064 K C3W33. Other bearing clearances available upon request. \*\* Pillow Block housing includes Fixing Rings and ER or LER Seals.

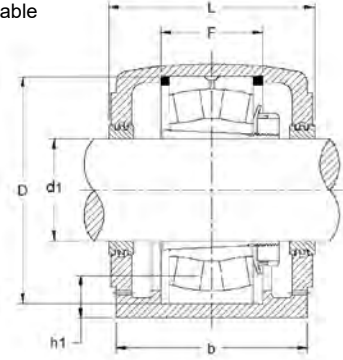
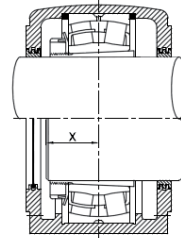
# Pillow Block Housings



## SDAF 231 Series



Models Available



## SDAF 231 K - Housing Dimensions

Dimensions in inches

Housing No. *	A	B	b	D		E		E1	F	G	H	Static Oil Level $h_1$	L	Cap Bolts (No. Required)	Base Bolts (No. Required)	S <sub>1</sub>	S <sub>2</sub>	T	X		Housing Wt. lb
				mm	Min	Max	mm												mm	mm	
SDAF 3152 K x 9-7/16 SDAF 3152 K x 9-1/2	10-1/4	35	13-1/8	440	29	30-1/2	8-3/4	164	3-3/4	20-3/4	3.13	14-1/4	(4)1-1/4	(4)1-5/8	1-3/4	2-1/2	8-3/8	115	4.53	1050	
SDAF 3156 K x 9-15/16 SDAF 3156 K x 10 SDAF 3156 K x 10-7/16 SDAF 3156 K x 10-1/2	12	38-1/4	14-3/4	460	32-3/4	33-1/2	9	166	3-3/8	23-7/16	3.50	15-1/2	(4)1-1/4	(4)1-5/8	1-7/8	2-1/4	9-1/2	119	4.69	1250	
SDAF 3160 K x 10-15/16 SDAF 3160 K x 11	12	38-1/4	14-3/4	500	32-3/4	33-1/2	9	180	3-3/8	23-7/16	3.80	15-1/2	(4)1-1/4	(4)1-5/8	1-7/8	2-1/4	9-1/2	125	4.92	1350	
SDAF 3164 K x 11-7/16 SDAF 3164 K x 11-1/2 SDAF 3164 K x 11-15/16 SDAF 3164 K x 12	12-13/16	41-3/4	15-3/4	540	35	36-1/2	10-1/2	196	4-1/4	25-3/4	4.00	16-1/4	(4)1-1/2	(4)1-7/8	2-1/4	3	10-3/8	135	5.31	1830	
SDAF 3168 K x 12-7/16 SDAF 3168 K x 12-1/2	14	43-3/4	17-5/8	580	36-3/4	38-1/4	10-3/4	210	5	27-3/4	4.63	18-1/4	(4)1-1/2	(4)2	2-3/8	3-1/8	11-1/4	155	6.10	2450	
SDAF 3172 K x 12-15/16 SDAF 3172 K x 13 SDAF 3172 K x 13-7/16 SDAF 3172 K x 13-1/2	14-1/2	46	17-1/8	600	39-1/4	40-3/4	11	212	5-1/4	29	4.63	17-1/4	(4)1-1/2	(4)2	2-7/16	3-3/16	10-7/8	160	6.30	2500	
SDAF 3176 K x 13-15/16 SDAF 3176 K x 14	14-1/2	46	17-1/8	620	39-1/4	40-3/4	11	214	5-1/4	28-7/8	4.30	17-5/8	(4)1-1/2	(4)2	2-7/16	3-3/16	10-7/8	163	6.42	2500	
SDAF 3180 K x 14-15/16 SDAF 3180 K x 15	15-1/2	48-3/4	18-3/4	650	41-3/4	43-1/2	12-1/4	220	5-1/2	30-1/2	4.81	19-1/4	(4)1-1/2	(4)2-1/4	2-3/8	3-1/4	12	168	6.61	2800	
SDAF 3184 K x 15-3/4	17	53	21	700	44-3/8	46-1/8	14-1/2	224	5-1/2	33-3/4	5.60	21-3/4	(4)1-1/2	(4)2-1/4	2-11/16	3-9/16	13-1/4	188	7.40	4300	
SDAF 3188 K x 16-1/2	17	53	21	720	44-3/8	46-1/8	14-1/2	246	5-1/2	33-3/4	5.30	21-3/4	(4)1-1/2	(4)2-1/4	2-11/16	3-9/16	13-1/4	189	7.44	4300	
SDAF 3192 K x 17	18	54-1/4	21-5/8	760	47-1/8	48-7/8	15	260	5-3/4	35-3/4	5.50	21-5/8	(4)1-1/2	(4)2-1/2	2-13/16	3-5/8	13-1/4	201	7.91	5000	
SDAF 3196 K x 18	18	54-1/4	21-5/8	790	47-1/8	48-7/8	15	268	5-3/4	35-3/4	5.20	21-5/8	(4)1-1/2	(4)2-1/2	2-13/16	3-5/8	13-1/2	205	8.07	5200	
SDAF 31/500 K x 18-1/2	18	54-1/4	21-5/8	830	47-1/8	48-7/8	15	284	5-3/4	35-3/4	—	21-5/8	(4)1-1/2	(4)2-1/2	2-7/8	3-5/8	—	218	8.58	5200	
SDAF 31/530 K x 19-1/2	20	60	22	870	52-3/8	54-1/8	15	292	6	40	—	24-5/8	(4)2	(4)3	3-1/4	3-3/4	—	—	—	5600	
SDAF 31/560 K x 21	20	60	22	920	52-3/8	54-1/8	15	300	6	40	—	24-5/8	(4)2	(4)3	3-1/4	3-3/4	—	—	—	5600	
SDAF 31/600 K x 22	23-1/4	64-1/4	26-5/8	980	57-1/8	58-7/8	19-5/8	320	6-1/4	47-1/4	—	27-3/4	(4)2-1/2	(4)3	3-1/4	3-3/4	—	—	—	6000	
SDAF 31/630 K x 24	23-1/4	64-1/4	26-5/8	1030	57-1/8	58-7/8	19-5/8	335	6-1/4	47-1/4	—	27-3/4	(4)2-1/2	(4)3	3-1/4	3-3/4	—	—	—	6000	

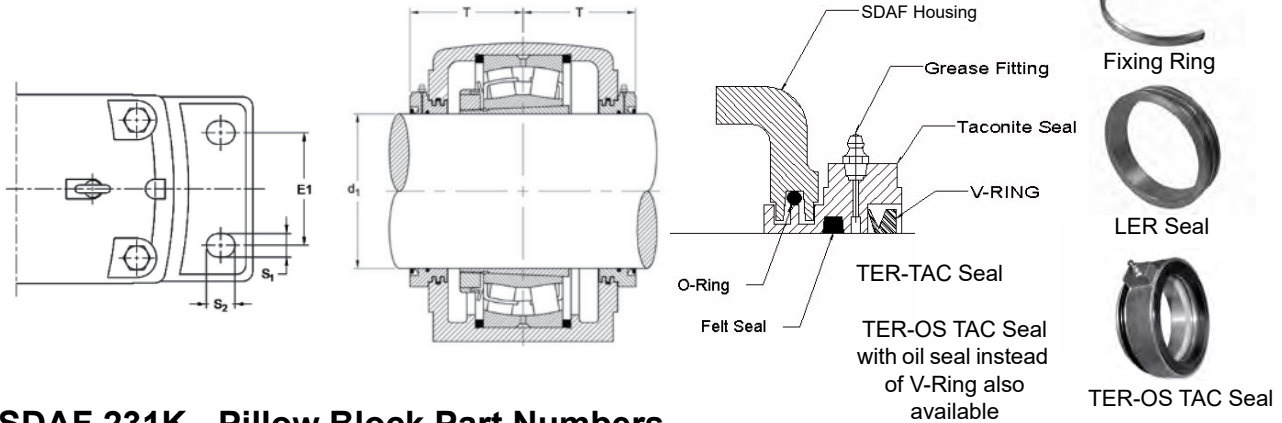
Note: \* SDAFD (Ductile) and SDAFS (Steel) housings available on request.



# Pillow Block Housing Accessories



## SDAF 231 Series



## SDAF 231K - Pillow Block Part Numbers

Shaft Size d <sub>1</sub> in	Complete Pillow Block Part No.	Pillow Block Housing Only Part No. **	Bearing Part No. *	Basic Dynamic Load Rating C kN	Adapter Part No.	Labyrinth Seal Ring (2 Req'd) Part No.	Fixing Ring (2 Req'd) Part No.	End Cover Part No.	Taconite Seal Part No.
9-7/16	SDAF 23152 K x 9-7/16	SDAF 3152 K x 9-7/16	23152KC3W33	2200	OH 3152 x 9-7/16	LER 553	FR440 x 10	EPR 5217-2	TER 553
9-1/2	SDAF 23152 K x 9-1/2	SDAF 3152 K x 9-1/2			OH 3152 x 9-1/2	LER 178			TER 178
9-15/16	SDAF 23156 K x 9-15/16	SDAF 3156 K x 9-15/16	23156KC3W33	2250	OH 3156 x 9-15/16	ER 751	FR460 x 10	EPR 5217-1	TER 751
10	SDAF 23156 K x 10	SDAF 3156 K x 10			OH 3156 x 10	ER 705			TER 705
10-7/16	SDAF 23156 K x 10-7/16	SDAF 3156 K x 10-7/16			OH 3156 x 10-7/16	ER 745			TER 745
10-1/2	SDAF 23156 K x 10-1/2	SDAF 3156 K x 10-1/2			OH 3156 x 10-1/2	ER 710			TER 710
10-15/16	SDAF 23160 K x 10-15/16	SDAF 3160 K x 10-15/16	23160KC3W33	2800	OH 3160 x 10-15/16	ER 858	FR5000 x 10	EPR 5217-9	TER 858
11	SDAF 23160 K x 11	SDAF 3160 K x 11			OH 3160 x 11	ER 825			TER 825
11-7/16	SDAF 23164 K x 11-7/16	SDAF 3164 K x 11-7/16	23164KC3W33	3200	OH 3164 x 11-7/16	ER 861	FR540 x 10	EPR 5217-16	TER 861
11-1/2	SDAF 23164 K x 11-1/2	SDAF 3164 K x 11-1/2			OH 3164 x 11-1/2	ER 832			TER 832
11-15/16	SDAF 23164 K x 11-15/16	SDAF 3164 K x 11-15/16			OH 3164 x 11-15/16	ER 859			TER 859
12	SDAF 23164 K x 12	SDAF 3164 K x 12			OH 3164 x 12	ER 818			TER 818
12-7/16	SDAF 23168 K x 12-7/16	SDAF 3168 K x 12-7/16	23168KC3W33	3600	OH 3168 x 12-7/16	ER 865	FR580 x 10	EPR 5217-29	TER 865
12-1/2	SDAF 23168 K x 12-1/2	SDAF 3168 K x 12-1/2			OH 3168 x 12-1/2	ER 866			TER 866
12-15/16	SDAF 23172 K x 12-15/16	SDAF 3172 K x 12-15/16	23172KC3W33	2750	OH 3172 x 12-15/16	ER 869	FR600 x 10	EPR 5217-27	TER 869
13	SDAF 23172 K x 13	SDAF 3172 K x 13			OH 3172 x 13	ER 846			TER 846
13-7/16	SDAF 23172 K x 13-7/16	SDAF 3172 K x 13-7/16			OH 3172 x 13-7/16	ER 872			TER 872
13-1/2	SDAF 23172 K x 13-1/2	SDAF 3172 K x 13-1/2			OH 3172 x 13-1/2	ER 823			TER 823
13-15/16	SDAF 23176 K x 13-15/16	SDAF 3176 K x 13-15/16	23176KC3W33	3900	OH 3176 x 13-15/16	ER 875	FR620 x 10	EPR 5217-12	TER 875
14	SDAF 23176 K x 14	SDAF 3176 K x 14			OH 3176 x 14	ER 876			TER 876
14-15/16	SDAF 23180 K x 14-15/16	SDAF 3180 K x 14-15/16	23180KC3W33	4200	OH 3180 x 14-15/16	ER 847R	FR650 x 10	EPR 5217-21	TER 847R
15	SDAF 23180 K x 15	SDAF 3180 K x 15			OH 3180 x 15	ER 847			TER 847
15-3/4	SDAF 23184 K x 15-3/4	SDAF 3184 K x 15-3/4	23184KC3W33	5200	OH 3184 x 15-3/4	ER 969	FR700 x 10	EPR 5217-23	TER 969
16-1/2	SDAF 23188 K x 16-1/2	SDAF 3188 K x 16-1/2	23188KC3W33	5200	OH 3188 x 16-1/2	ER 958	FR720 x 10	EPR 5217-25	TER 958
17	SDAF 23192 K x 17	SDAF 3192 K x 17	23192KC3W33	5700	OH 3192 x 17	ER 838	FR760 x 10	EPR 838	TER 838
18	SDAF 23196 K x 18	SDAF 3196 K x 18	23196KC3W33	6200	OH 3196 x 18	ER 888	FR790 x 10	EPR 888	TER 888
18-1/2	SDAF 231/500K x 18-1/2	SDAF 31/500 x 18-1/2	231/500KC3W33	6700	OH 31/500 x 18-1/2	ER 978	FR830 x 10	EPR 978	TER 978
19-1/2	SDAF 231/530K x 19-1/2	SDAF 31/530 x 19-1/2	231/530KC3W33	7100	OH 31/530 x 19-1/2	ER 926	FR870 x 10	EPR 926	TER 926
21	SDAF 231/560K x 21	SDAF 31/560 x 21	231/560KC3W33	7900	OH 31/560 x 21	ER 933	FR920 x 10	EPR 933	TER 933
22	SDAF 231/600K x 22	SDAF 31/600 x 22	231/600KC3W33	8900	OH 31/600 x 22	ER 986	FR980 x 10	EPR 986	TER 986
24	SDAF 231/630K x 24	SDAF 31/630 x 24	231/630KC3W33	10000	OH 31/630 x 24	ER 987	FR1030 x 10	EPR 987	TER 987

Note: \*Typical suffix to the bearing part number is KC3W33 where K indicates taper bore, C3 is the internal clearance and W33 indicates a lube groove on the bearing O.D. For example specify 23164KC3W33. Other bearing clearances available upon request. \*\* Pillow Block housing includes Fixing Rings and ER or LER Seals.

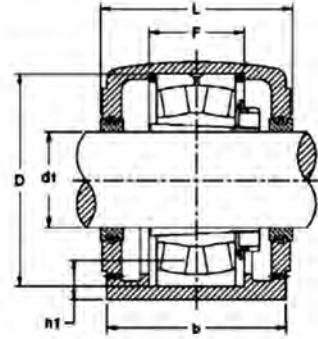
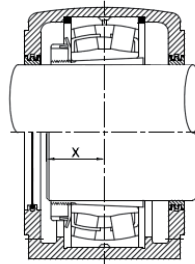
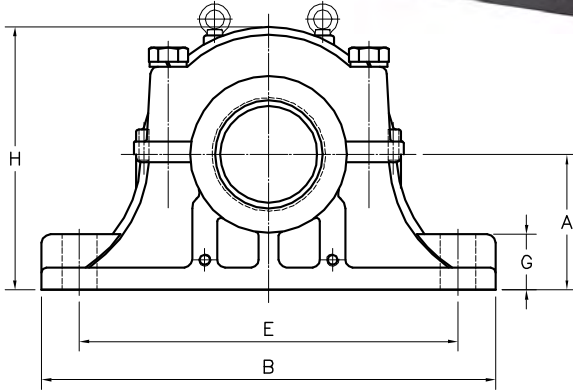
# Pillow Block Housings



## SDAF 232 Series



Models Available



## SDAF 232 K - Housing Dimensions

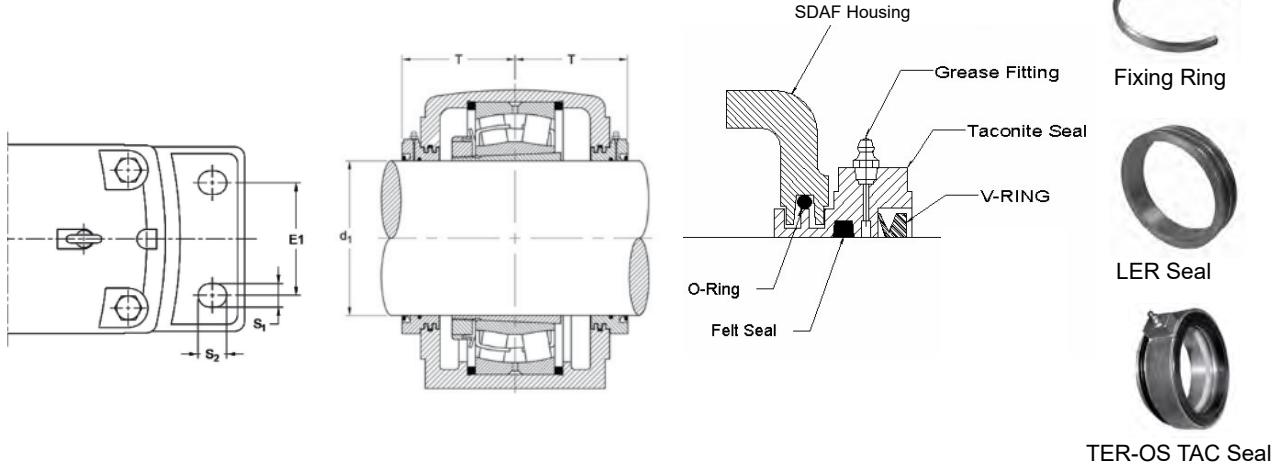
Dimensions in inches

Housing No.	A	B	b	D		E		E1	F	G	H	Static Oil Level $h_1$	L	T	Cap Bolts (No. Required)	Base Bolts (No. Required)	S <sub>1</sub>	S <sub>2</sub>	X		Housing Wt. lb
				mm	Min	Max	mm												mm	in	
SDAF 3248 K x 8-15/16	10-1/4	35	13-1/8	440	29	30-1/2	8-3/4	180	3-3/4	20-7/8	3.2	14-1/4	8.75	(4) 1-1/4	(4) 1-5/8	1-3/4	2-1/8	121	4.76	1100	
SDAF 3252 K x 9-7/16	12	38-1/4	14-3/4	480	32-7/8	33-3/8	9	194	4	23-7/16	3.1	15-1/2	9.50	(4) 1-1/4	(4) 1-5/8	1-3/4	2-1/8	130	5.12	1350	
SDAF 3252 K x 9-1/2																					
SDAF 3256 K x 9-15/16	12	38-1/4	14-3/4	500	32-7/8	33-3/8	9	196	4	23-7/16	3.5	15-1/2	9.50	(4) 1-1/4	(4) 1-5/8	1-3/4	2-1/8	134	5.28	1400	
SDAF 3256 K x 10																					
SDAF 3256 K x 10-7/16																					
SDAF 3256 K x 10-1/2																					
SDAF 3260 K x 10-15/16	12-13/16	41-3/4	15-3/4	540	35-1/8	36-3/8	10-1/2	212	4-1/2	25-3/4	3.8	16	10.38	(4) 1-1/4	(4) 1-7/8	1-3/4	2-1/8	141	5.55	1900	
SDAF 3260 K x 11																					
SDAF 3264 K x 11-7/16	14	43-3/4	17-3/4	580	36-3/4	38-1/4	10-3/4	228	5	27-7/8	4.0	18-3/4	11.25	(4) 1-1/2	(4) 2	2-1/8	2-7/8	151	5.94	2500	
SDAF 3264 K x 11-1/2																					
SDAF 3264 K x 11-15/16																					
SDAF 3264 K x 12																					
SDAF 3268 K x 12-7/16	14-1/2	46	17-1/8	620	39-1/4	40-3/4	11	244	5-1/4	29	4.6	17-1/4	10.88	(4) 1-1/2	(4) 2	2-3/8	3-1/8	172	6.77	2600	
SDAF 3268 K x 12-1/2																					
SDAF 3272 K x 12-15/16	15-1/2	48-3/4	18-3/4	650	41-3/4	43-1/2	12-1/4	252	5-1/2	30-1/2	4.6	19-1/4	12.00	(4) 1-1/2	(4) 2-1/4	2-3/8	3-1/4	179	7.05	2900	
SDAF 3272 K x 13																					
SDAF 3272 K x 13-7/16																					
SDAF 3272 K x 13-1/2																					
SDAF 3276 K x 13-15/16	15-1/2	48-3/4	18-3/4	680	41-3/4	43-1/2	12-1/4	260	5-1/2	30-1/2	4.3	19-1/4	12.00	(4) 1-1/2	(4) 2-1/4	2-3/8	3-1/4	185	7.28	3000	
SDAF 3276 K x 14																					
SDAF 3280 K x 14-15/16	17	53	21	720	41-3/4	46-1/8	14-1/2	276	5-1/2	33-3/4	4.8	19-1/4	13.25	(4) 1-1/2	(4) 2-1/4	2-3/8	3-1/4	196	7.72	4500	
SDAF 3280 K x 15																					
SDAF 3284 K x 15-3/4	18	54-1/4	21-5/8	760	47-1/8	49-7/8	15	292	5-3/4	35-3/4	5.6	21-5/8	—	(4) 1-1/2	(4) 2-1/2	2-5/8	3-1/2	212	8.35	5000	
SDAF 3288 K x 16-1/2	18	54-1/4	21-5/8	790	47-1/8	48-7/8	15	300	5-3/4	35-3/4	5.3	21-5/8	13.50	(4) 1-1/2	(4) 2-1/2	2-5/8	3-1/2	216	8.50	5000	
SDAF 3292 K x 17	18	54-1/4	21-5/8	830	47-1/8	48-7/8	15	316	5-3/4	35-3/4	5.5	21-5/8	—	(4) 1-1/2	(4) 2-1/2	2-5/8	3-1/2	229	9.02	5000	
SDAF 3296 K x 18	20	60	22	870	52-3/8	54-1/8	16	330	6	40	5.2	21-5/8	13.50	(4) 2	(4) 3	2-5/8	3-1/2	236	9.59	5300	
SDAF32/500 K x 18-1/2	20	60	22	920	52-3/8	54-1/8	16	356	6	40	—	24-5/8	—	(4) 2	(4) 3	3-1/4	3-3/4	—	—	5300	
SDAF32/530 K x 19-1/2	23-1/4	64-1/8	26-5/8	980	63-3/8	65-1/8	19-5/8	375	6-1/4	47-1/4	—	27-3/4	—	(4) 2-1/2	(4) 3	3-1/4	3-3/4	—	—	5600	
SDAF32/600 K x 22	24-1/5	69	28-1/4	1090	59-5/8	61-3/8	20	408	7	48	—	29-1/2	—	(4) 2-1/2	(4) 3	3-1/8	3-7/8	—	—	5600	

# Pillow Block Housing Accessories



## SDAF 232 Series



## SDAF 232K - Pillow Block Part Numbers

Shaft Size d <sub>1</sub> in	Complete Pillow Part No.	Pillow Block Housing Only Part No.	Bearing Part No.	Basic Dynamic Load Rating C kN	Adapter Part No.	Labyrinth Seal Ring 2 Req'd Part No.	Fixing Ring 2 Req'd Part No.	End Cover Part No.	Taconite Seal Part No.
8-15/16	SDAF23248 K x 8-15/16	SDAF3248 K X 8-15/16	23248KC3W33	2500	OH3248 x 8-15/16	LER552	FR360 x 10	—	TER552
9-7/16 9-1/2	SDAF23252 K x 9-7/16 SDAF23252 K x 9-1/2	SDAF3252 K x 9-7/16 SDAF3252 K x 9-1/2	23252KC3W33	2760	OH3252 x 9-7/16 OH3252 x 9-1/2	LER553 LER178	FR480 x 10	EPR5217-2	TER553 TER178
9-15/16 10 10-7/16 10-1/2	SDAF23256 K x 9-15/16 SDAF23256 K x 10 SDAF23256 K x 10-7/16 SDAF23256 K x 10-1/2	SDAF3256 K x 9-15/16 SDAF3256 K x 10 SDAF3256 K x 10-7/16 SDAF3256 K x 10-1/2	23256KC3W33	2930	OH3256 x 9-15/16 OH3256 x 10 OH3256 x 10-7/16 OH3256 x 10-1/2	LER751 ER705 ER745 ER710	FR500 x 10	EPR5217-1	TER751 TER705 TER745 TER710
10-15/16 11	SDAF23260 K x 10-15/16 SDAF23260 K x 11	SDAF3260 K x 10-15/16 SDAF3260 K x 11	23260KC3W33	3450	OH3260 x 10-15/16 OH3260 x 11	ER858 ER825	FR540 x 10	EPR5217-9	TER858 TER825
11-7/16 11-1/2 11-15/16 12	SDAF23264 K x 11-7/16 SDAF23264 K x 11-1/2 SDAF23264 K x 11-15/16 SDAF23264 K x 12	SDAF3264 K x 11-7/16 SDAF3264 K x 11-1/2 SDAF3264 K x 11-15/16 SDAF3264 K x 12	23264KC3W33	4000	OH3264 x 11-7/16 OH3264 x 11-1/2 OH3264 x 11-15/16 OH3264 x 12	ER861 ER832 ER859 ER818	FR580 x 10	EPR5217-16	TER861 TER832 TER859 TER818
12-7/16 12-1/2	SDAF23268 K x 12-7/16 SDAF23268 K x 12-1/2	SDAF3268 K x 12-7/16 SDAF3268 K x 12-1/2	23268KC3W33	4450	OH3268 x 12-7/16 OH3268 x 12-1/2	ER865 ER866	FR620 x 10	EPR5217-29	TER865 TER866
12-15/16 13 13-7/16 13-1/2	SDAF23272 K x 12-15/16 SDAF23272 K x 13 SDAF23272 K x 13-7/16 SDAF23272 K x 13-1/2	SDAF3272 K x 12-15/16 SDAF3272 K x 13 SDAF3272 K x 13-7/16 SDAF3272 K x 13-1/2	23272KC3W33	4850	OH3272 x 12-15/16 OH3272 x 13 OH3272 x 13-7/16 OH3272 x 13-1/2	ER869 ER846 ER872 ER823	FR650 x 10	EPR5217-27	TER869 TER846 TER872 TER823
13-15/16 14	SDAF23276 K x 13-15/16 SDAF23276 K x 14	SDAF3276 K x 13-15/16 SDAF3276 K x 14	23276KC3W33	5200	OH3276 x 13-15/16 OH3276 x 14	ER875 ER876	FR680 x 10	EPR5217-12	TER875 TER876
14-15/16 15	SDAF23280 K x 14-15/16 SDAF23280 K x 15	SDAF3280 K x 14-15/16 SDAF3280 K x 15	23280KC3W33	5850	OH3280 x 14-15/16 OH3280 x 15	ER847R ER847	FR720 x 10	EPR5217-21	TER847R TER847
15-3/4 16-1/2	SDAF23284 K x 15-3/4 SDAF23288 K x 16-1/2	SDAF3284 K x 15-3/4 SDAF3288 K x 16-1/2	23284KC3W33 23288KC3W33	6550 6900	OH3284 x 15-3/4 OH3288 x 16-1/2	ER969 ER958	FR760 x 10 FR790 x 10	EPR5217-23 EPR5217-25	TER969 TER958
17 18	SDAF23292 K x 17 SDAF23296 K x 18	SDAF3292 K x 17 SDAF3296 K x 18	23292KC3W33 23296KC3W33	7750 8300	OH3292 x 17 OH3296 x 18	ER838 ER888	FR830 x 10 FR870 x 10	EPR838 EPR888	TER838 TER888
18-1/2 19-1/2	SDAF232500 K x 18-1/2 SDAF232530 K x 19-1/2	SDAF32500 x 18-1/2 SDAF32530 x 19-1/2	232500C3W33 232530C3W33	9300 11000	OH32500 x 18-1/2 OH32530 x 19-1/2	ER978 ER926	FR920 x 10 FR980 x 10	EPR978 EPR926	TER978 TER926
22	SDAF232600 K x 22**	SDAF32600 x 22	232600C3W33	13000	OH32600 x 22	ER921	FR1090 x 10	EPR921	TER921

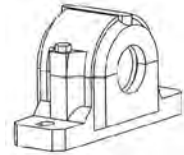
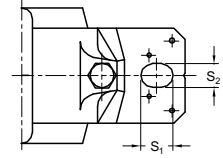
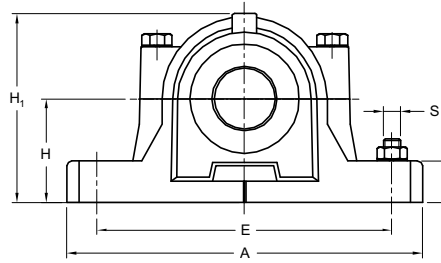
Note: Typical suffix to the bearing part number is KC3W33 where K indicates taper bore, C3 is the internal clearance and W33 indicates a lube groove on the bearing O.D. For example specify 23256 K C3W33. Other bearing clearances available upon request. \*\* Available in an Asymmetric Housing Design.

Introduction  
Mounted Ball Bearings  
SRE / SR2 Spherical Bearings  
SAF / Plummer Blocks  
Brq. Accessories, Radial Ball, & EICH Bearings  
Rod Ends & Spherical Plain Bearings  
Roller Chain & Sprockets  
Bushings & Hubs  
Gears & Racks  
Belt Drives / Couplings  
Linear Motion / WINKEL

# Plummer Block Housings



## SNG 500 Series



Models Available

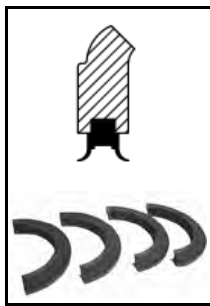
Industry Standard Metric Block Dimensions  
Interchangeable with Competitive Units

Seal Options:

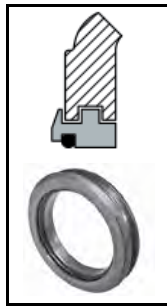
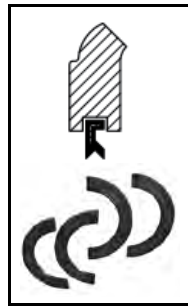
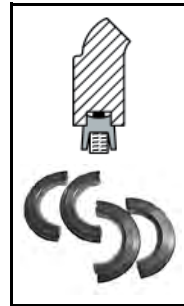
- TSNA-G Seal - Split Rubber
- TS-Seal - Aluminum with O-Ring (optional)
- U-Seal - Split Rubber Steel Reinforced (optional)
- TAU - Taconite Seal (optional)

Housings: Cast Iron, Ductile (optional)  
Adapter Mounted Ball or Spherical Bearing  
End Covers and Taconite Seals Available  
Interchanges with PTI's SNHF type  
4-Bolt Base optional, see FSSNG-D Series (Ductile)

### Seal Options



TSNA-G Seal

TS Aluminum Seal  
(Optional)U-Seal  
(Optional)TSNC Seal  
(Optional)TAU Taconite Seal  
(Optional)

End Cover

Housing Part No.	Dimensions (mm)															Housing Wt. kg
	d <sub>1</sub>	A	B	C	D	d <sub>2</sub>	E	F	H	H <sub>1</sub>	L	T	S	S <sub>1</sub>	S <sub>2</sub>	
SNG506-605	25	185	52	22	62	36.5	150	32	50	87	77	—	M10	22	13	2
SNG507-606	30	185	52	22	72	46.5	150	34	50	92	82	—	M10	20	13	2
SNG508-607	35	205	60	25	80	51.5	170	39	60	106	85	—	M12	20	15	3
SNG509	40	205	60	25	85	56.5	170	30	60	109	85	70	M12	20	15	3
SNG510-608	45	205	60	25	90	62	170	41	60	112	90	72	M12	20	15	4
SNG511-609	50	255	70	28	100	67	210	44	70	127	95	75	M16	23	18	5
SNG512-610	55	255	70	30	110	72	210	48	70	133	105	80	M16	23	18	6
SNG513-611	60	275	80	30	120	77	230	51	80	148	110	82	M16	24	18	6
SNG515-612	65	280	80	30	130	87	230	56	80	154	115	87	M16	26	18	7
SNG516-613	70	315	90	32	140	92.5	260	58	95	175	120	89	M20	29	22	9
SNG517	75	320	90	32	150	97.5	260	61	95	181	125	95	M20	30	22	10
SNG518-615	80	345	100	35	160	102.5	290	65	100	192	140	102	M20	27	22	12
SNG519-616	85	345	100	35	170	131	290	68	112	209	145	102	M20	27	22	15
SNG520-617	90	380	110	40	180	137.5	320	70	112	215	160	109	M24	32	26	19
SNG522-619	100	410	120	45	200	147.5	350	80	125	239	175	117	M24	32	26	23
SNG524-620	110	410	120	45	215	157.5	350	86	140	271	185	122	M24	32	26	32
SNG526	115	445	130	50	230	167.5	380	90	150	290	190	125	M24	35	28	36
SNG528	125	500	150	50	250	177.5	420	98	150	302	205	133	M30	42	35	47
SNG530	135	530	160	60	270	192.5	450	106	160	323	220	142	M30	42	35	59
SNG532	140	550	160	60	290	202.5	470	114	170	344	235	150	M30	42	35	65

Note: SNG 500 Series housings can be used as SNG 200 housings by using felt seals.

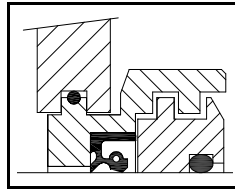
# Plummer Block Housing Accessories



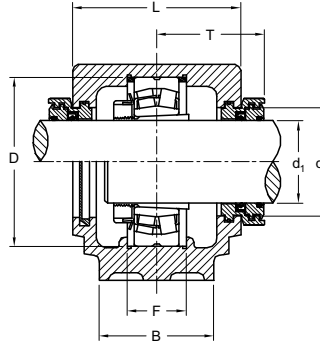
## SNG 500 Series



TAC Seal



TAU Taconite Seal



End Cover

Housing Part No.	Bearing Options				Adapter Part No.	Fixing Rings		Seals				End Cover Part No. (optional)
	Ball Bearing		Spherical Bearings			Part No.	Qty.	TSNAG Seal (standard)	TS Seal Part No. (optional)	U-Seal Part No. (optional)	TAU Taconite Seal Part No.	
	Part No.	Basic Dynamic Load Rating C Kn	Part No.	Basic Dynamic Load Rating C Kn								
SNG506	1206 K 2206 K	15.6 31.0	— <b>22206 K</b>	— 48	H206 H306	FR62/8 FR62/6	2 2	TSNA506G	U506TS	U506	—	—
SNG507	1207 K 2207 K	16.0 35.0	— <b>22207 K</b>	— 67	H207 H307	FR72/8.5 FR72/5.5	2 2	TSNA507 G	U507TS	U507	—	EC 507A
SNG508	1208 K 2208 K	19.3 36.0	— <b>22208 K</b>	— 73	H208 H308	FR80/10.5 FR80/8	2 2	TSNA508 G	U508TS	U508	TAU508	EC 508A
SNG509	1209 K 2209 K	22.0 39.0	— <b>22209 K</b>	— 77	H209 H309	FR85/5.5 FR85/7	2 1	TSNA509 G	U509TS	U509	TAU509	EC 509A
SNG510	1210 K 2210 K	22.8 42.0	— <b>22210 K</b>	— 84	H210 H310	FR90/10.5 FR90/9	2 2	TSNA510 G	U510TS	U510	TAU510	EC 510A
SNG511	1211 K 2211 K	27.0 45.0	— <b>22211 K</b>	— 115	H211 H311	FR100/11.5 FR100/9.5	2 2	TSNA511G	U511TS	U511	TAU511	EC 511A
SNG512	1212 K 2212 K	30.0 47.0	— <b>22212 K</b>	— 122	H212 H312	FR110/13 FR110/10	2 2	TSNA512 G	U512TS	U512	TAU512	EC 512A
SNG513	1213 K 2213 K	31.0 50.0	— <b>22213 K</b>	— 148	H213 H313	FR120/14 FR120/10	2 2	TSNA513 G	U513TS	U513	TAU513	EC 513A
SNG515	1215 K 2215 K	39.0 55.0	— <b>22215 K</b>	— 156	H215 H315	FR130/15.5 FR130/12.5	2 2	TSNA515 G	U515TS	U515	TAU515	EC 515A
SNG516	1216 K 2216 K	40.0 59.0	— <b>22216 K</b>	— 175	H216 H316	FR140/16 FR140/12.5	2 2	TSNA516 G	U516TS	U516	TAU516	EC 516A
SNG517	1217 K 2217 K	49.0 63.0	— <b>22217 K</b>	— 210	H217 H317	FR150/16.5 FR150/12.5	2 2	TSNA517 G	U517TS	U517	TAU517	EC 517A
SNG518	1218 K 2218 K	57.0 65.0	— <b>22218 K</b>	— 250	H218 H318	FR160/17.5 FR160/12.5	2 2	TSNA518 G	U518TS	U518	TAU518	EC 518A
SNG519	— 1219 K 2219 K	— 64.0 68.0	— <b>22219 K</b>	— 280	H219 H319	FR170/18 FR170/12.5	2 2	TSNA519 G	U519TS	U519	TAU519	EC 519A
SNG520	— 2220 K	— 71.0	— <b>22220 K</b>	— 310	H220 H320	FR180/12 FR180/9.7	2 1	TSNA520 G	U520TS	U520	TAU520	EC 520A
SNG522	— 2222 K	— 77.0	— <b>22222 K</b>	— 405	H222 H322	FR200/13.5 FR200/10.2	2 1	TSNA522 G	U522TS	U522	TAU522	EC 522A
SNG524	— —	— —	— <b>22224 K</b>	— 465	H224 H324	FR215/14 FR215/10	2 1	TSNA524 G	U524TS	U524	TAU524	EC 524A
SNG526	— —	— —	— <b>22226 K</b>	— 545	H226 H326	FR230/13 FR230/10	2 1	TSNA526 G	U526TS	U526	TAU526	EC 526A
SNG528	— —	— —	— <b>22228 K</b>	— 605	H228 H328	FR250/15 FR250/10	2 1	TSNA528 G	U528TS	U528	TAU528	EC 528A
SNG530	— —	— —	— <b>22230 K</b>	— 730	H230 H330	FR270/16.5 FR270/10	2 1	TSNA530 G	U530TS	U530	TAU530	EC 530A
SNG532	— —	— —	— <b>22232 K</b>	— 860	H232 H332	FR270/8.5 FR270/5	2 1	TSNA532 G	U532TS	U532	TAU532	EC 532A

Note: Bearing Part Number in bold face is a double row spherical and most popular. Typical suffix to the bearing part number is C3W33 where C3 is the internal clearance and W33 indicates a lube groove on the bearing O.D. K indicates taper bore bearing. For example specify 22220 K C3W33. Other clearances available upon request.

Introduction  
Mounted Ball Bearings  
SRE / SR2 Spherical Bearings  
SAF / Plummer Blocks  
Brg. Accessories, Radial Ball, & EICH Bearings  
Rod Ends & Spherical Plain Bearings  
Roller Chain & Sprockets  
Bushings & Hubs  
Gears & Racks  
Belt Drives / Couplings  
Linear Motion / WINKEL

# Metric Plummer Blocks

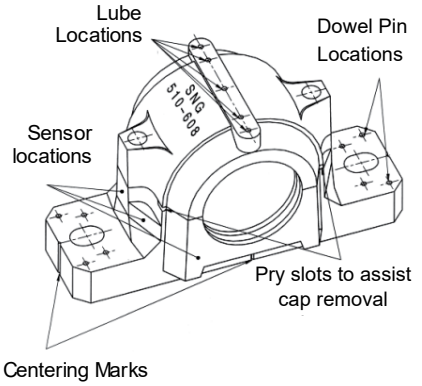


## SNG 500-600 Series

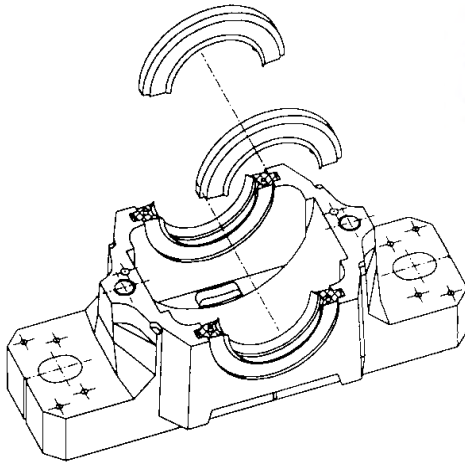


SNG 500-600 Series

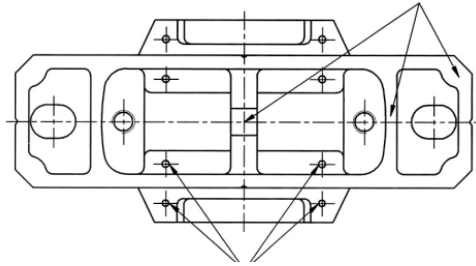
The SNG Series can be provided with 4-Bolt mounting (FSSNG Series). Cast Iron material is standard, and Ductile is also available from production.



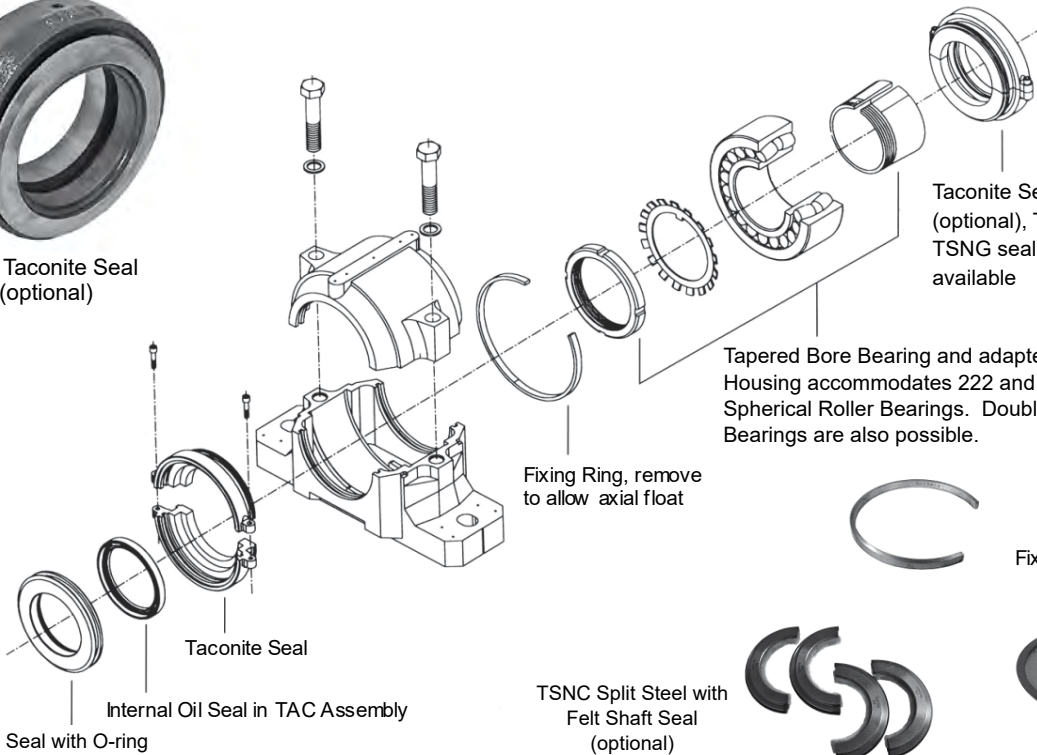
Split TNSG Seals for 500 and 600 Series shafts sizes—accommodates metric and inch shaft sizes. Can be replaced without removing shaft.



TS Seal with O-ring (optional)



TAU Taconite Seal (optional)



Tapered Bore Bearing and adapter assembly. Housing accommodates 222 and 223 Series Spherical Roller Bearings. Double Row Ball Bearings are also possible.

Fixing Ring, remove to allow axial float

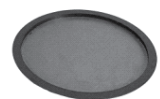
Taconite Seal (optional), TS Seal, TNSG seal also available



Fixing Ring



TSNC Split Steel with Felt Shaft Seal (optional)



End Cover

Mounted Ball Bearings

SRE / SR2 Spherical Bearings

SAF / Plummer Blocks

Brg. Accessories, Radial Ball, & EICH Bearings

Rod Ends & Spherical Plain Bearings

Roller Chain & Sprockets

Bushings & Hubs

Gears & Racks

Belt Drives / Couplings

Linear Motion / WINKEL

# Metric Plummer Blocks



## FSSNG-D 500-600 Series

### 4-Bolt Ductile Iron Housing



TS Seal with O-ring (optional)

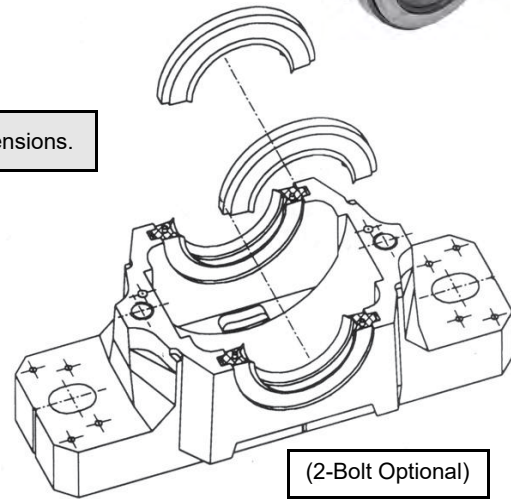
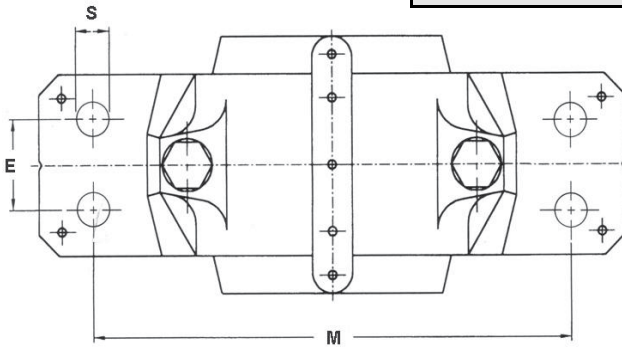
Split TSNG Seals for 500 or 600 Series will accommodate both metric and inch shaft sizes. The TSNG Seal can be replaced without moving the shaft.



TAU Taconite Seal (optional)



See SNG page for other dimensions.



(2-Bolt Optional)

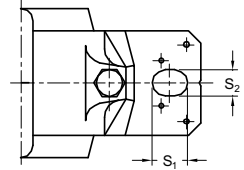
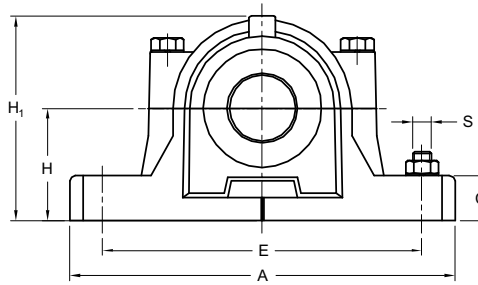
Housing Part No.	E	M	S	Bolt	SNG 500 Seal			SNG 600 Seal		
					Rubber Seal Part No.	Shaft (mm)	Shaft (in)	Part No.	Shaft (mm)	Shaft (in)
FSSNG508-607D	34	160	11	M10	TSNA508G	35	1-3/8	TSNA607G	30	1-3/16
FSSNG509D	34	160	11	M10	TSNA509G	40	1-1/2	—	—	—
FSSNG510-608D	34	160	11	M10	TSNA510G	45	1-11/16, 1-3/4	TSNA608G	35	1-3/8
FSSNG511-609D	40	200	14	M12	TSNA511G	50	1-15/16, 2	TSNA609G	40	1-1/2
FSSNG512-610D	40	200	14	M12	TSNA512G	55	2-3/16	TSNA610G	45	1-11/16, 1-3/4
FSSNG513-611D	48	220	14	M12	TSNA513G	60	2-1/4	TSNA611G	50	1-15/16, 2
FSSNG515-612D	48	220	14	M12	TSNA515G	65	2-7/16, 2-1/2	TSNA612G	55	2-3/16
FSSNG516-613D	52	252	18	M16	TSNA516G	70	2-11/16, 2-3/4	TSNA613G	60	2-1/4
FSSNG517D	52	252	18	M16	TSNA517G	75	2-15/16, 3	—	—	—
FSSNG518-615D	58	280	18	M16	TSNA518G	80	3-3/16	TSNA615G	65	2-3/16, 2-1/2
FSSNG519-616D	58	280	18	M16	TSNA519G	85	3-3/8	TSNA616G	70	2-11/16, 2-3/4
FSSNG520-617D	66	300	18	M16	TSNA520G	90	3-7/16, 3-1/2	TSNA617G	75	2-15/16, 3
FSSNG522-619D	74	320	18	M16	TSNA522G	100	3-15/16, 4	TSNA619G	85	3-3/8
FSSNG524-620D	74	330	18	M16	TSNA524G	110	4-3/16, 4-1/4	TSNA620G	90	3-7/16, 3-1/2
FSSNG526D	80	370	22	M20	TSNA526G	115	4-7/16, 4-1/2			
FSSNG528D	92	400	26	M24	TSNA528G	125	4-15/16, 5			
FSSNG530D	100	430	26	M24	TSNA530G	135	5-3/16, 5-1/4			
FSSNG532D	100	450	26	M24	TSNA532G	140	5-7/16, 5-1/2			

Note: The TSNG is an all rubber premium design seal and will accommodate a variety of shaft sizes - both inch and metric. 4 halves are required for 1 block and are included in each seal kit. The design allows seal replacement without removing the shaft.

# Plummer Block Housings



## SNG 600 Series



Models Available

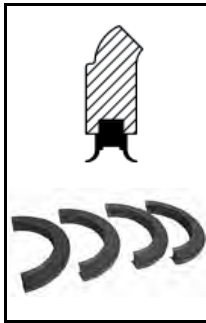
Industry Standard Metric Block Dimensions  
Interchangeable with Competitive Units

Seal Options:

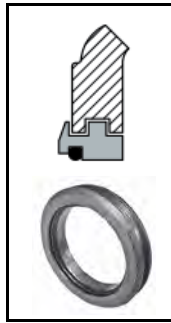
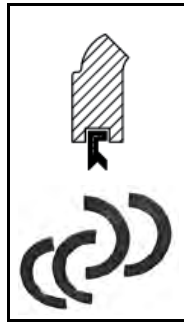
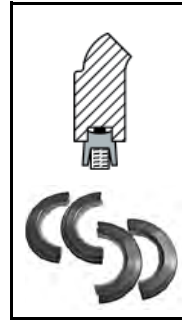
- TSNA-G Seal - Split Rubber
- TS-Seal - Aluminum with O-Ring (optional)
- U-Seal - Split Rubber Steel Reinforced (optional)
- TAU - Taconite Seal (optional)

Housings: Cast Iron, Ductile (optional)  
Adapter Mounted Ball or Spherical Bearing  
End Covers and Taconite Seals Available  
Interchanges with PTI's SNHF type  
4-Bolt Base optional, see FSSNG-D Series (Ductile)

### Seal Options



TSNA-G Seal

TS Aluminum Seal  
(Optional)U-Seal  
(Optional)TSNC Seal  
(Optional)TAU Taconite Seal  
(Optional)

End Cover

Housing Part No.	Dimensions (mm)															Housing Wt. kg
	d <sub>1</sub>	A	B	C	D	d <sub>2</sub>	E	F	H	H <sub>1</sub>	L	T	S	S <sub>1</sub>	S <sub>2</sub>	
SNG508-607	30	205	60	25	80	51.5	170	39	60	106	85	70	M12	20	15	2.8
SNG510-608	35	205	60	25	90	62	170	41	60	112	90	72	M12	20	15	3.1
SNG511-609	40	255	70	28	100	67	210	44	70	127	95	75	M16	23	18	4.5
SNG512-610	45	255	70	30	110	72	210	48	70	133	105	80	M16	23	18	5.0
SNG513-611	50	275	80	30	120	77	230	51	80	148	110	82	M16	24	18	6.1
SNG515-612	55	280	80	30	130	87	230	56	80	154	115	87	M16	26	18	6.5
SNG516-613	60	315	90	32	140	92.5	260	58	95	175	120	89	M20	29	22	9.0
SNG518-615	65	345	100	35	160	102.5	290	65	100	192	140	102	M20	27	22	12.4
SNG519-616	70	345	100	35	170	131	290	68	112	209	145	102	M20	27	22	13.5
SNG520-617	75	380	110	40	180	137.5	320	70	112	215	160	109	M24	32	26	17.5
SNG522-619	85	410	120	45	200	147.5	350	80	125	239	175	117	M24	32	26	20.5
SNG524-620	90	410	120	45	215	157.5	350	86	140	271	185	122	M24	32	26	25.5



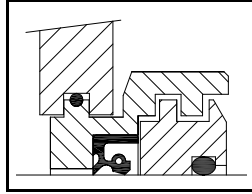
# Plummer Block Housing Accessories



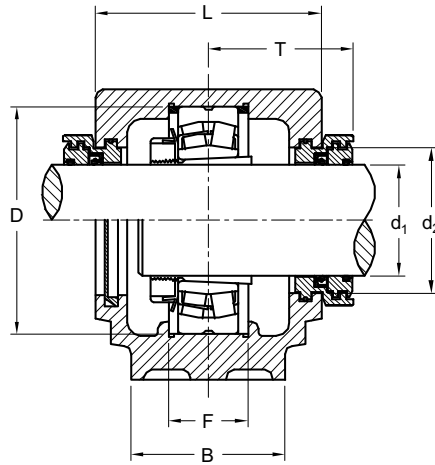
## SNG 600 Series



TAC Seal



TAU Taconite Seal



End Cover

Housing Part No.	Bearing Options				Adapter Part No.	Fixing Rings		Seals				End Cover (optional)
	Ball Bearing		Spherical Bearings			Part No.	Qty.	TSNA Seal Part No. (standard)	TS Seal Part No. (optional)	U-Seal Part No. (optional)	TAU Taconite Seal Part No. (optional)	
	Part No.	Basic Dynamic Load Rating C kN	Part No.	Basic Dynamic Load Rating C kN								
SNG508-607	1307 K	25.0	—	—	H307	FR80/9	2	TSNA607G	U607TS	U607	—	EC 508A
	2307 K	39.0	—	—	H2307	FR80/8	1					
SNG510-608	1308 K	29.0	21308 K	82	H308	FR90/9	2	TSNA608G	U608TS	U608	TAU608	EC 510A
	2308 K	15.0	22308 K	112	H2308	FR90/8	1					
SNG511-609	1309 K	38.0	21309 K	100	H309	FR100/9.5	2	TSNA609G	U609TS	U609	TAU609	EC 511A
	2309 K	54.0	22309 K	135	H2309	FR100/8	1					
SNG512-610	1310 K	41.5	21310 K	120	H310	FR110/10.5	2	TSNA610G	U610TS	U610	TAU610	EC 512A
	2310 K	64.0	22310 K	175	H2310	FR110/8	1					
SNG513-611	1311 K	51.0	21311 K	138	H311	FR120/11	2	TSNA611G	U611TS	U611	TAU611	EC 513A
	2311 K	75.0	22311 K	195	H2311	FR120/8	1					
SNG515-612	1312 K	57.0	21312 K	161	H312	FR130/12.5	2	TSNA612G	U612TS	U612	TAU612	EC 515A
	2312 K	86.5	22312 K	230	H2312	FR130/10	1					
SNG516-613	1313 K	62.0	21313 K	184	H313	FR140/12.5	2	TSNA613G	U613TS	U613	TAU613	EC 516A
	2313 K	95.0	22313 K	250	H2313	FR140/10	1					
SNG518-615	1315 K	80.0	21315 K	235	H315	FR160/14	2	TSNA615G	U615TS	U615	TAU615	EC 518A
	2315 K	122.0	22315 K	340	H2315	FR160/10	1					
SNG519-616	1316 K	88.0	21316 K	258	H316	FR170/14.5	2	TSNA616G	U616TS	U616	TAU616	EC 519A
	2316 K	137.0	22316 K	370	H2316	FR170/10	1					
SNG520-617	1317 K	98.0	21317 K	290	H317	FR180/14.5	2	TSNA617G	U617TS	U617	TAU617	EC 520A
	2317 K	140.0	22317 K	420	H2317	FR180/10	1					
SNG522-619	1319 K	130.0	—	—	H319	FR200/17.5	2	TSNA619G	U619TS	U619	TAU619	EC 522A
	3219 K	160.0	22319 K	515	H2319	FR200/13	1					
SNG524-620	—	—	21320 K	385	H320	FR215/19.5	2	TSNA620G	U620TS	U620	TAU620	EC 524A
	2320 K	190.0	22320 K	600	H2320	FR215/13	1					

Note: Typical suffix to the bearing part number is C3W33 where C3 is the internal clearance and W33 indicates a lube groove on the bearing O.D. K indicates taper bore bearing. For example specify 22310 K C3W33. Other clearances available upon request.

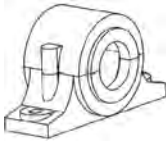
# Plummer Block Housings



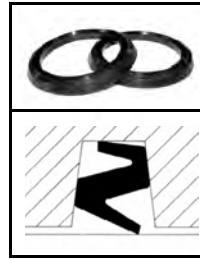
## SN 500 Series SSN 500 Series

The SN Housing will accept the self-aligning ball or spherical roller bearings with adapter sleeves. The SN is designed according to DIN 736. Each size is supplied with standard felt seals and fixing rings. Double lip ZF seals are also stocked as an option. SN Housings are Cast Iron and SSN Housings

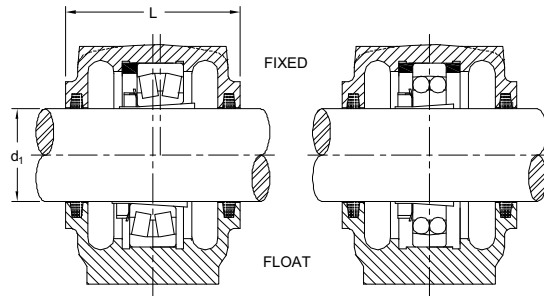
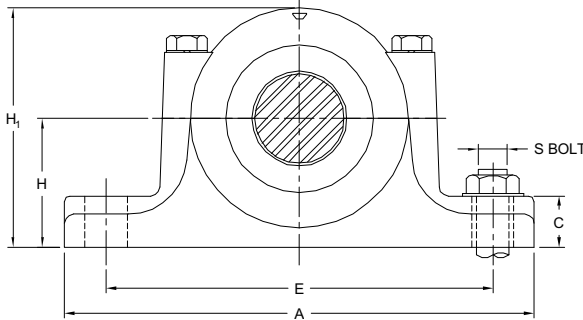
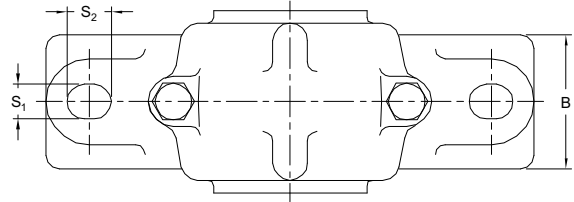
are Ductile. SSN blocks have solid feet (no bolt holes) and allow base bolt holes to be drilled per request. Dimensions are the same as basic size. Specify SSN, size and bolt hole needs. Drawings can be provided. Bearing and adapter sleeves sold separately.



Models Available



Optional ZF Rubber Seal



Dimensions in mm

SN Series Housing Part No.	SSN Series Housing Part No.	Shaft Size $d_1$	A	B	C	E	H	$H_1$	L	S	$S_1$	$S_2$	Housing Wt. kg
SN 505	—	20	165	46	19	130	40	71	67	M 12	15	20	1.4
SN 506	—	25	185	52	22	150	50	87	77	M 12	15	20	1.9
SN 507	—	30	185	52	22	150	50	92	82	M 12	15	20	2.2
SN 508	SSN 508	35	205	60	25	170	60	106	85	M 12	15	20	2.9
SN 509	SSN 509	40	205	60	25	170	60	109	85	M 12	15	20	3.0
SN 510	SSN 510	45	205	60	25	170	60	112	90	M 12	15	20	3.2
SN 511	SSN 511	50	255	70	28	210	70	127	95	M 16	18	24	4.4
SN 512	SSN 512	55	255	70	30	210	70	133	105	M 16	18	24	5.1
SN 513	SSN 513	60	275	80	30	230	80	148	110	M 16	18	24	6.4
SN 515	SSN 515	65	280	80	30	230	80	154	115	M 16	18	24	7.1
SN 516	SSN 516	70	315	90	32	260	95	175	120	M 20	22	28	9.7
SN 517	SSN 517	75	320	90	32	260	95	181	125	M 20	22	28	10.3
SN 518	SSN 518	80	345	100	35	290	100	192	140	M 20	22	28	12.6
SN 519	—	85	345	100	35	290	112	209	145	M 20	22	28	14
SN 520	SSN 520	90	380	110	40	320	112	215	160	M 24	26	32	17
SN 522	SSN 522	100	410	120	45	350	125	239	175	M 24	26	32	22
SN 524	SSN 524	110	410	120	45	350	140	271	185	M 24	26	32	26
SN 526	SSN 526	115	445	130	50	380	150	290	190	M 24	28	35	32
SN 528	SSN 528	125	500	150	50	420	150	302	205	M 30	35	42	42
SN 530	SSN 530	135	530	160	60	450	160	323	220	M 30	35	42	51
SN 532	SSN 532	140	550	160	60	470	170	344	235	M 30	35	42	57

# Plummer Block Housing Accessories



Bearings, Adapter Sleeves, Seal Kits and Fixing Rings

Shaft Size mm	Housing Part No.	Bearing Part No.	Basic Dynamic Rating C kN	Sleeve Part No.	Seal Kits		Fixing Rings		End Cover Part No.	Initial Grease Quantity g
					Felt Seals Standard ( 2 Required)	ZF Seals Optional ( 2 Required)	Part No.	Qty		
20	SN505 SSN505	1205 K	12	H 205	FS100 x 5 x 6	ZF05	FR 52 x 5	2	—	25
		2205 K	17	H 305			FR 52 x 7	1		
		22205 K	35	H 305			FR 52 x 7	1		
25	SN506 SSN506	1206 K	16	H 206	FS100 x 5 x 6	ZF06	FR 62 x 7	2	—	40
		2206 K	26	H 306			FR 62 x 10	1		
		22206 K	48	H 306			FR 62 x 10	1		
30	SN507 SSN507	1207 K	16	H 207	FS120 x 5 x 6	ZF07	FR 72 x 8	2	—	50
		2207 K	32	H 307			FR 72 x 10	1		
		22207 K	62	H 307			FR 72 x 10	1		
35	SN508 SSN508	1208 K	19	H 208	FS130 x 5 x 6	ZF08	FR 80 x 7.5	2	—	60
		2208 K	32	H 308			FR 80 x 10	1		
		22208 K	73	H 308			FR 80 x 10	1		
40	SN509 SSN509	1209 K	22	H 209	FS150 x 5 x 6	ZF09	FR 85 x 6	2	—	65
		2209 K	28	H 309			FR 85x x8	1		
		22209 K	77	H 309			FR 85 x 8	1		
45	SN510 SSN510	1210 K	23	H 210	FS165 x 5 x 6	ZF10	FR 90 x 6.5	2	EC 510	75
		2210 K	28	H 310			FR 90 x 10	1		
		22210 K	84	H 310			FR 90 x 10	1		
50	SN511 SSN511	1211 K	27	H 211	FS200 x 6.5 x 8	ZF11	FR 100 x 6	2	EC 511	100
		2211 K	39	H 311			FR 100 x 8	1		
		22211 K	115	H 311			FR 100 x 8	1		
55	SN512 SSN512	1212 K	30	H 212	FS200 x 6.5 x 8	ZF12	FR 110 x 8	2	—	150
		2212 K	48	H 312			FR 110 x 10	1		
		22212 K	122	H 312			FR 110 x 10	1		
60	SN513 SSN513	1213 K	31	H 213	FS210 x 6.5 x 8	ZF13	FR 120 x 10	2	EC 513	180
		2213 K	57	H 313			FR 120 x 12	1		
		22213 K	148	H 313			FR 120 x 12	1		
65	SN515 SSN515	1215 K	39	H 215	FS230 x 6.5 x 8	ZF15	FR 130 x 8	2	EC 515	230
		2215 K	44	H 315			FR 130 x 10	1		
		22215 K	156	H 315			FR 130 x 10	1		
70	SN516 SSN516	1216 K	40	H 216	FS260 x 7.5 x 9	ZF16	FR 140 x 8.5	2	EC 516	280
		2216 K	51	H 316			FR 140 x 10	1		
		22216 K	175	H 316			FR 140 x 10	1		
75	SN517 SSN517	1217 K	49	H 217	FS260 x 7.5 x 9	ZF17	FR 150 x 9	2	EC 517	330
		2217 K	59	H 317			FR 150 x 10	1		
		22217 K	250	H 317			FR 150 x 10	1		
80	SN518 SSN518	1218 K	57	H 218	FS150 x 7.5 x 9	ZF18	FR 160 x 16.5	2	EC 518	430
		2218 K	71	H 318			FR 160 x 11.2	2		
		22218 K	250	H 318			FR 160 x 11.2	2		
85	SN519 SSN519	1219 K	64	H 219	FS155 x 7.5 x 9	ZF19	FR 170 x 10.5	2	—	480
		2219 K	83	H 319			FR 170 x 10	1		
		22219 K	280	H 319			FR 170 x 10	1		
90	SN520 SSN520	1220 K	70	H 220	FS165 x 8.5 x 10	ZF20	FR 180 x 18.1	2	EC 520	630
		2220 K	98	H 320			FR 180 x 12.1	2		
		22220 K	310	H 320			FR 180 x 12.1	2		
100	SN522 SSN522	1222 K	88	H 222	FS185 x 10 x 12	ZF22	FR 200 x 21	2	EC 522	850
		2222 K	124	H 322			FR 200 x 13.5	2		
		22222 K	405	H 322			FR 200 x 13.5	2		
110	SN524 SSN524	22222 K	510	H 2322	FS200 x 10 x 12	ZF24	FR 200 x 10	1	EC 524	1000
		22224 K	465	H 3124			FR 215 x 14	2		
		23224 K	605	H 2324			FR 215 x 10	1		
115	SN526 SSN526	22226 K	545	H 3126	FS210 x 10 x 12	ZF26	FR 230 x 13	2	EC 526	1100
		23226 K	680	H 2326			FR 230 x 10	1		
		23228 K	605	H 3128			FR 250 x 15	2		
125	SN528 SSN528	22228 K	790	H 2328	FS230 x 10 x 12	ZF28	FR 250 x 10	1	EC 528	1400
		23228 K	730	H 3130			FR 270 x 16.5	2		
		23230 K	930	H 2330			FR 270 x 10	1		
135	SN530 SSN530	22230 K	860	H 3132	FS245 x 10 x 12	ZF30	FR 290 x 17	2	EC 530	1700
		23230 K	1060	H 2332			FR 290 x 10	1		
		23232 K	1060	H 2332			FR 290 x 10	1		

Note: The SN Housing accepts Ball or Spherical Roller Bearings. Typical suffix to the bearing part number is C3W33 where C3 is the internal clearance and W33 indicates a lube groove on the bearing O.D. K indicates taper bore bearing. For example specify 22220KC3W33.

# Plummer Block Housings



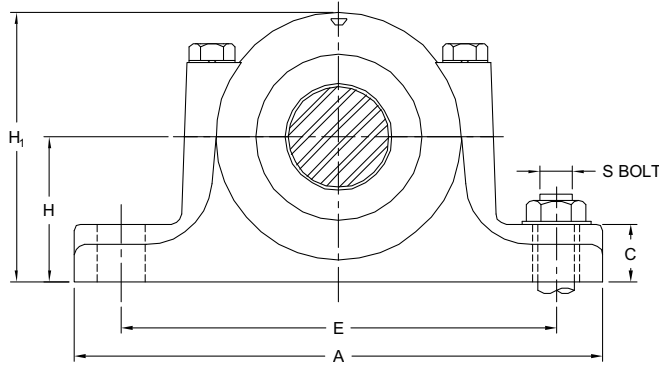
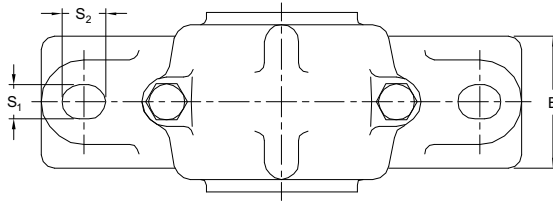
## SN 600 Series

The SN Housing accept self-aligning ball or spherical roller bearing with adapter sleeve. They are designed according to DIN 736. Each is supplied with standard felt seals and

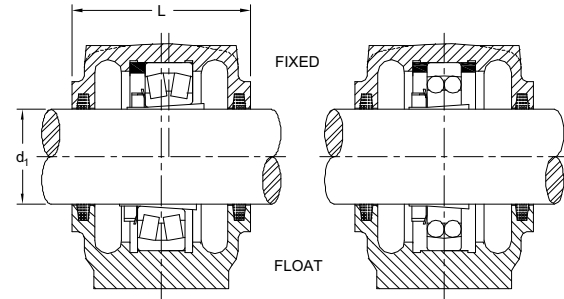
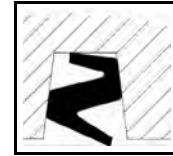
fixing rings. Double Lip ZF Rubber Seals are also stocked as an option. Housings are Cast Iron. Bearings and adapter sleeves sold separately.



Models Available



Optional ZF Rubber Seal



Dimensions in mm

Part No.	Shaft Size $d_1$	A	B	C	E	H	$H_1$	L	S	$S_1$	$S_2$	Housing Wt. kg
SN 605	20	185	45	22	150	50	71	77	M 10	13	22	1.8
SN 606	25	185	45	22	150	50	92	82	M 10	13	20	2.0
SN 607	30	205	50	25	170	60	106	85	M 12	15	20	2.6
SN 608	35	205	50	25	170	60	112	90	M 12	15	20	3.0
SN 609	40	225	58	28	210	70	127	95	M 12	18	23	4.2
SN 610	45	255	60	30	210	70	133	105	M 16	18	23	4.8
SN 611	50	275	65	30	230	80	148	110	M 16	18	24	6.1
SN 612	55	280	65	30	230	80	154	115	M 16	18	26	6.5
SN 613	60	315	75	32	260	95	175	120	M 20	22	29	8.9
SN 615	65	345	85	35	290	100	192	140	M 20	22	27	13
SN 616	70	345	85	35	290	112	209	145	M 20	22	27	15
SN 617	75	380	95	40	320	112	215	160	M 24	26	32	17
SN 618	80	380	110	40	320	112	220	160	M 24	26	32	18
SN 619	85	410	100	45	350	125	239	175	M 24	26	32	19
SN 620	90	410	100	45	350	140	271	185	M 24	26	32	25
SN 622	100	450	115	50	390	150	295	190	M 24	28	35	35
SN 624	110	530	160	60	450	160	320	200	M 30	35	42	53
SN 626	115	550	160	60	470	170	340	210	M 30	35	42	62
SN 628	125	620	170	65	520	180	367	235	M 30	35	42	85
SN 630	135	650	180	65	560	190	385	245	M 30	35	42	96
SN 632	140	680	190	70	580	200	405	255	M 36	42	50	115

# Plummer Block Housing Accessories

## Bearings, Adapter Sleeves, Seal Kits and Fixing Rings



Shaft Size mm	Housing Part No.	Bearing Part No.	Basic Dynamic Rating C kN	Sleeve Part No.	Seal Kits - Part No.		Fixing Rings		Initial Grease Quantity g
					Felt Seals Standard ( 2 Required)	ZF Rubber Seals Optional ( 2 Required)	Size Part No.	Qty	
20	SN 605	1305 K	18	H 305	FS100 x 5 x 6	ZF 05	FR 62 x 8.5	2	40
		2305 K	24	H 2305			FR 62 x 10	1	
25	SN 606	1306 K	21	H 306	FS100 x 5 x 6	ZF 06	FR 72 x 9	2	50
		2306 K	31	H 2306			FR 72 x 10	1	
30	SN 607	1307 K	25	H 307	FS120 x 5 x 6	ZF 07	FR 80 x 10	2	60
		2307 K	39	H 2307			FR 80 x 10	1	
35	SN 608	1308 K	29	H 308	FS130 x 5 x 6	ZF 08	FR 90 x 10	2	75
		2308 K	45	H 2308			FR 90 x 10	1	
		22308 K	112	H 2308			FR 90 x 10	1	
40	SN 609	1309 K	38	H 309	FS150 x 5 x 6	ZF 09	FR 100 x 10.5	2	100
		2309 K	54	H 2309			FR 100 x 10	1	
		22309 K	135	H 2309			FR 100 x 10	1	
45	SN 610	1310 K	41	H 310	FS165 x 5 x 6	ZF 10	FR 110 x 11.5	2	150
		2310 K	64	H 2310			FR 110 x 10	1	
		22310 K	175	H 2310			FR 110x x10	1	
50	SN 611	1311 K	51	H 311	FS200 x 6.5 x 8	ZF 11	FR 120 x 12	2	180
		2311 K	75	H 2311			FR 120 x 10	1	
		22311 K	195	H 2311			FR 120 x 10	1	
55	SN 612	1312 K	57	H 312	FS200 x 6.5 x 8	ZF 12	FR 130 x 12.5	2	230
		2312 K	86	H 2312			FR 130 x 10	1	
		22312 K	230	H 2312			FR 130 x 10	1	
60	SN 613	1313 K	62	H 313	FS210 x 6.5 x 8	ZF 13	FR 140 x 12.5	2	280
		2313 K	95	H 2313			FR 140 x 10	1	
		22313 K	250	H 2313			FR 140 x 10	1	
65	SN 615	1315 K	80	H 315	FS230 x 6.5 x 8	ZF 15	FR 160 x 14	2	430
		2315 K	122	H 2315			FR 160 x 10	1	
		22315 K	340	H 2315			FR 160 x 10	1	
70	SN 616	1316 K	88	H 316	FS260 x 7.5 x 9	ZF 16	FR 170 x 14.5	2	480
		2316 K	137	H 2316			FR 170 x 10	1	
		22316 K	370	H 2316			FR 170 x 10	1	
75	SN 617	1317 K	98	H 317	FS260 x 7.5 x 9	ZF 17	FR 180 x 14.5	2	630
		2317 K	140	H 2317			FR 180 x 10	1	
		22317 K	420	H 2317			FR 180 x 10	1	
80	SN 618	1318 K	108	H 318	FS150 x 7.5 x 9	ZF 18	FR 190 x 15.5	2	750
		2318 K	153	H 2318			FR 190 x 10	1	
		22318 K	475	H 2318			FR 190 x 10	1	
85	SN 619	1319 K	133	H 319	FS155 x 7.5 x 9	ZF 19	FR 200 x 16	2	850
		2319 K	165	H 2319			FR 200 x 10	1	
		20319 K	317	H 319			FR 200 x 16	2	
		22319 K	515	H 2319			FR 200 x 10	1	
90	SN 620	1320 K	143	H 320	FS 165 x 8.5 x 10	ZF 20	FR 215 x 18	2	1000
		2320 K	190	H 2320			FR 215 x 10	1	
		20320 K	336	H 320			FR 215 x 18	2	
		22320 K	600	H 2320			FR 215 x 10	1	
100	SN 622	20322 K	400	H 322	FS 185 x 10 x 12	ZF 22	FR 240 x 20	2	1100
		22322 K	720	H 2322			FR 240 x 10	1	
110	SN 624	20324 K	466	H 3124	FS 200 x 10 x 12	ZF 24	FR 260 x 20.5	2	1300
		22324 K	840	H 2324			FR 260 x 10	1	
115	SN 626	20326 K	528	H 3126	FS 210 x 10 x 12	ZF 26	FR 280 x 22.5	2	1600
		22326 K	970	H 2326			FR 280 x 10	1	
125	SN 628	20328 K	616	H 3128	FS 230 x 10 x 12	ZF 28	FR 300 x 25	2	2000
		22328 K	1120	H 2328			FR 300 x 10	1	
135	SN 630	20330 K	686	H 3130	FS 245 x 10 x 12	ZF 30	FR 320 x 26.5	2	2200
		22330 K	1250	H 2330			FR 320 x 10	1	
140	SN 632	20332 K	760	H 3132	FS 260 x 10 x 12	ZF 32	FR 340 x 28	2	2400
		22332 K	1375	H 2332			FR 340 x 10	1	

Note: The SN Housing accepts Ball or Spherical Roller Bearings. Typical suffix to the bearing part number is C3W33 where C3 is the internal clearance and W33 indicates a lube groove on the bearing O.D. K indicates taper bore bearing. For example specify 22311KC3W33. 213 Series Bearing also possible for above housings with H300 Series Adapter.

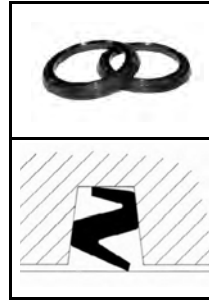
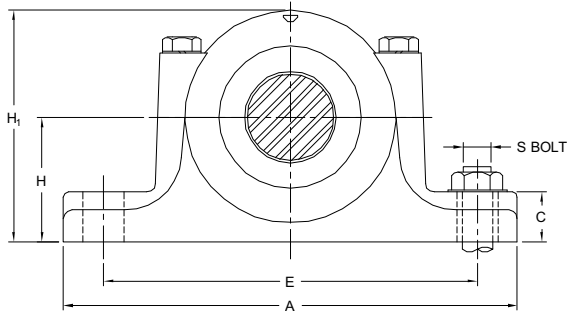
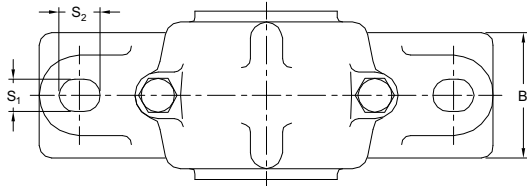
# Plummer Block Housings



## SN 200 Series

The SN Housings are an industry standard and are designed according to DIN 738. Each housing includes felt seals. V-ring Buna ZF Seals are also stocked as an option. See ZF option on next page. Fixing rings are furnished with the housing. Identify bearing choice when ordering for appropriate quantity of fixing rings. Fixing

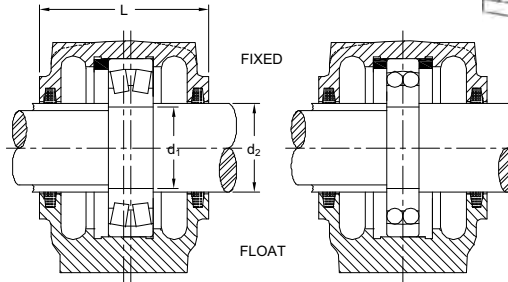
ring removal creates an expansion bearing. SSN series blocks allow base bolt holes drilled per need. They are also available on request and have same basic dimensions for size listed. Specify SSN, size and bolt hole needs. **Note: Spacer sleeve if required for  $d_2$  seal to be supplied by user.**



Optional ZF Rubber Seal



Models Available



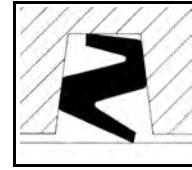
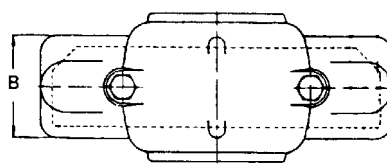
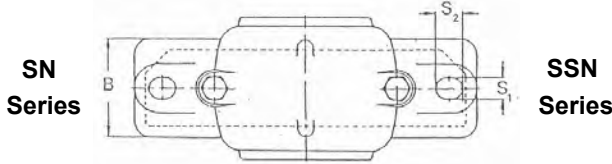
Dimensions in mm

Part No.	$d_1$	$d_2$	H	$H_1$	L	A	B	C	E	$S_1$	$S_2$	S	Housing Wt. kg
SN 205	25	30	40	71	67	165	42	19	130	13	20	M 10	1.2
SN 206	30	35	50	87	77	185	45	22	150	13	22	M 10	1.8
SN 207	35	45	50	92	82	185	45	22	150	13	20	M 10	2.0
SN 208	40	50	60	106	85	205	50	25	170	15	20	M 12	2.5
SN 209	45	55	60	109	85	205	50	25	170	15	20	M 12	2.9
SN 210	50	60	60	112	90	205	50	25	170	15	20	M 12	3.0
SN 211	55	65	70	127	95	255	58	28	210	18	23	M 16	4.2
SN 212	60	70	70	133	105	255	60	30	210	18	23	M 16	4.8
SN 213	65	75	80	148	110	275	65	30	230	18	24	M 16	6.1
SN 214	70	80	80	150	115	275	80	30	230	18	23	M 16	6.5
SN 215	75	85	80	154	120	280	65	32	230	22	29	M 16	8.8
SN 216	80	90	95	181	125	320	75	32	260	22	30	M 20	10.0
SN 217	85	95	95	192	140	345	85	35	260	22	27	M 20	12.5
SN 218	90	100	100	209	145	345	85	35	290	22	27	M 20	14.5
SN 219	95	110	112	210	140	345	100	35	290	22	27	M 20	15.0
SN 220	100	115	112	215	160	380	95	40	320	26	32	M 24	16.5
SN 222	110	125	125	239	175	410	100	45	350	26	32	M 24	18.5
SN 224	120	135	140	271	185	410	100	45	350	26	32	M 24	24.5
SN 226	130	145	150	290	190	445	110	50	380	28	35	M 24	33.5
SN 228	140	155	150	302	205	500	130	50	420	35	42	M 30	43.5
SN 230	150	165	160	323	220	530	140	60	450	35	42	M 30	51.5
SN 232	160	175	170	344	235	550	140	60	470	35	42	M 30	57.5

# Plummer Block Housing Accessories



## Bearings, Seal Kits and Fixing Rings



ZF Seal Option

Shaft Size d <sub>2</sub> mm	Housing Part No.	Bearing Part No.	Basic Dynamic Rating C kN	Seal Kits		Fixing Rings	
				Felt Seals Standard ( 2 Required)	ZF Rubber Seals Optional ( 2 Required)	Size	Qty
30	SN 205	1205	12	FS120 x 5 x 6	ZF07	FR 52 x 5	2
		2205	17			FR 52 x 7	1
		22205	35			FR 52 x 7	1
35	SN 206	1206	16	FS130 x 5 x 6	ZF08	FR 62 x 7	2
		2206	26			FR 62 x 10	1
		22206	48			FR 62 x 10	1
45	SN 207	1207	16	FS165 x 5 x 6	ZF10	FR 72 x 8	2
		2207	32			FR 72 x 10	1
		22207	62			FR 72 x 10	1
50	SN 208	1208	19	FS200 x 6.5 x 8	ZF11	FR 80 x 7.5	2
		2208	32			FR 80 x 10	1
		22208	73			FR 80 x 10	1
55	SN 209	1209	22	FS200 x 6.5 x 6	ZF12	FR 85 x 6	2
		2209	28			FR 85 x 8	1
		22209	77			FR 85 x 8	1
60	SN 210	1210	23	FS210 x 6.5 x 8	ZF13	FR 90 x 6.5	2
		2210	28			FR 90 x 10	1
		22210	84			FR 90 x 10	1
65	SN 211	1211	27	FS230 x 6.5 x 8	ZF15	FR 100 x 6	2
		2211	39			FR 100 x 8	1
		22211	115			FR 100 x 8	1
70	SN 212	1212	30	FS260 x 7.5 x 9	ZF16	FR 110 x 8	2
		2212	48			FR 110 x 10	1
		22212	122			FR 110 x 10	1
75	SN 213	1213	31	FS260 x 7.5 x 9	ZF17	FR 120 x 10	2
		2213	57			FR 120 x 12	1
		22213	148			FR 120 x 12	1
80	SN 214	1214	34.5	FS150 x 7.5 x 9	ZF18	FR 125 x 10	2
		2214	44			FR 125 x 13	1
		22214	148			FR 125 x 13	1
85	SN 215	1215	39	FS155 x 7.5 x 9	ZF19	FR 130 x 8	2
		2215	44			FR 130 x 10	1
		22215	156			FR 130 x 10	1
90	SN 216	1216	40	FS165 x 8.5 x 10	ZF20	FR 140 x 8.5	2
		2216	51			FR 140 x 10	1
		22216	175			FR 140 x 10	1
95	SN 217	1217	49	FS175 x 8.5 x 10	ZF21	FR 150 x 9	2
		2217	59			FR 150 x 10	1
		22217	250			FR 150 x 10	1
100	SN 218	1218	57	FS185 x 10 x 12	ZF22	FR 160 x 16.2	2
		2218	71			FR 160 x 11.2	2
		22218	250			FR 160 x 11.2	2
		23218	311			FR 160 x 10	1
110	SN 219	22219	280	FS210 x 10 x 12	ZF24	FR 170 x 10.5	2
115	SN 220	1220	70	FS210 x 10 x 12	ZF26	FR 180 x 18.1	2
		2220	98			FR 180 x 12.1	2
		22220	310			FR 180 x 12.1	2
		23220	410			FR 180 x 10	1
125	SN 222	1222	88	FS230 x 10 x 12	ZF28	FR 200 x 21	2
		2222	124			FR 200 x 13.5	2
		22222	405			FR 200 x 13.5	2
		23222	510			FR 200 x 10	1
135	SN 224	22224	465	FS245 x 10 x 12	ZF30	FR 215 x 14	2
		23224	605			FR 215 x 10	1
145	SN 226	22226	545	FS265 x 10 x 12	ZF33	FR 230 x 13	2
		23226	680			FR 230 x 10	1
155	SN 228	22228	605	FS280 x 10 x 12	ZF35	FR 250 x 15	2
		23228	790			FR 250 x 10	1
165	SN 230	22230	730	FS300 x 10 x 12	ZF37	FR 270 x 16.5	2
		23230	930			FR 270 x 10	1
175	SN 232	22232	860	FS300 x 10 x 12	ZF39	FR 290 x 17	2
		23232	1060			FR 290 x 10	1

Note: Optional ZF seal fits Shaft Size d<sub>2</sub>. Optional lock washer and lock nut also available.

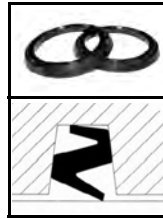
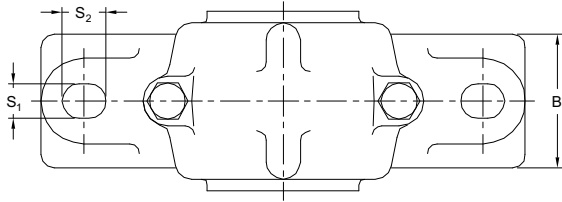
# Plummer Block Housings



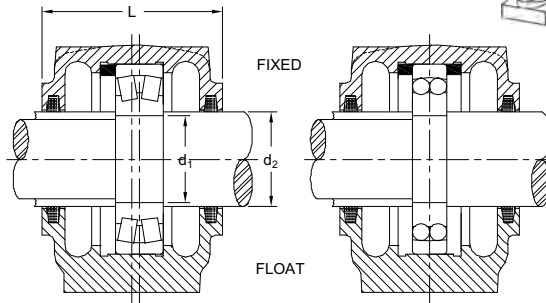
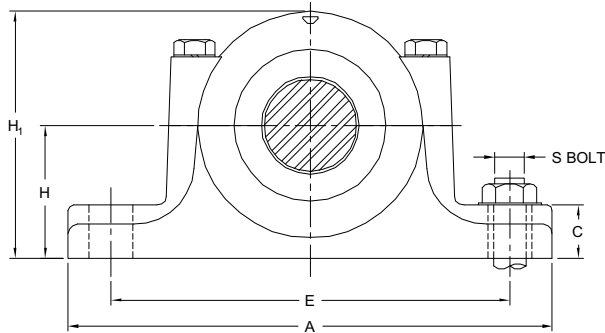
## SN 300 Series

The SN Housings are fully interchangeable and are designed according to DIN 739. Each housing includes felt seals. V-ring Buna seals are also stocked as an option. See ZF type option next page. Fixing rings are

furnished with the housing. Identify bearing choice when ordering for appropriate quantity of fixing rings. Fixing ring removal creates expansion bearing. **Note: Spacer sleeve for  $d_2$  seal to be supplied by user.**



Optional ZF Rubber Seal



Models Available



Dimensions in mm

Part No.	$d_1$	$d_2$	H	$H_1$	L	A	B	C	E	$S_1$	$S_2$	S	Housing Wt. kg
SN305	25	30	50	90	77	185	45	22	150	13	22	M 10	1.8
SN306	30	35	50	92	82	185	45	22	150	13	20	M 10	2.0
SN307	35	45	60	106	85	205	50	25	170	15	20	M 12	2.6
SN308	40	50	60	112	90	205	50	25	170	15	20	M 12	3.0
SN309	45	55	70	127	95	255	58	28	210	18	23	M 12	4.2
SN310	50	60	70	133	105	255	60	30	210	18	23	M 16	4.8
SN311	55	65	80	148	110	275	65	30	230	18	24	M 16	6.1
SN312	60	70	80	154	115	280	65	30	230	18	26	M 16	6.5
SN313	65	75	95	175	120	315	75	32	260	22	29	M 20	8.9
SN314	70	80	95	185	130	320	90	32	260	22	31	M 20	10.0
SN315	75	85	100	192	140	345	85	35	290	22	27	M 20	12.5
SN316	80	90	112	209	145	345	85	35	290	22	27	M 20	14.5
SN317	85	95	112	215	160	380	95	40	320	26	32	M 24	16.5
SN318	90	105	112	220	160	380	110	40	320	26	32	M 24	18.0
SN319	95	110	125	239	175	410	100	45	350	26	32	M 24	18.5
SN320	100	115	140	271	185	410	100	45	350	26	32	M 24	24.5
SN322	110	125	150	295	190	450	115	50	390	28	35	M 24	34.5
SN324	120	135	160	320	200	530	160	60	450	35	42	M 30	51.9
SN326	130	150	170	340	210	550	160	60	470	35	42	M 30	60.5
SN328	140	160	180	367	235	620	170	65	520	35	42	M 30	82.0
SN330	150	170	190	385	245	650	180	65	560	35	42	M 30	92.0
SN332	160	180	200	405	255	680	190	70	580	42	50	M 36	112.0



# Plummer Block Housing Accessories



## Bearings, Seal Kits and Fixing Rings

Shaft Size d <sub>2</sub> mm	Housing Part No.	Bearing Part No.	Basic Dynamic Rating C kN	Seal Kits		Fixing Rings	
				Felt Seals Standard ( 2 Required)	ZF Rubber Seals Optional ( 2 Required)	Size	Qty
30	SN 305	1305	18	FS120 x 5 x 6	ZF07	FR 62 x 9	2
		2305	24			FR 62 x 10	1
		21305	41			FR 62 x 9	2
35	SN 306	1306	21	FS130 x 5 x 6	ZF08	FR 72 x 8.5	2
		2306	31			FR 72 x 10	1
		21306	55			FR 72 x 8.5	2
45	SN 307	1307	25	FS165 x 5 x 6	ZF10	FR 80 x 10	2
		2307	39			FR 80 x 10	1
		21307	65			FR 80 x 10	2
50	SN 308	1308	29	FS200 x 6.5 x 8	ZF11	FR 90 x 10	2
		2308	45			FR 90 x 10	1
		21308	82			FR 90 x 10	2
		22308	112			FR 90 x 10	1
55	SN 309	1309	38	FS200 x 6.5 x 8	ZF12	FR 100 x 10.5	2
		2309	54			FR 100 x 10	1
		21309	100			FR 100 x 10.5	2
		22309	135			FR 100 x 10	1
60	SN 310	1310	41	FS210 x 6.5 x 8	ZF13	FR 110 x 11.5	2
		2310	64			FR 110 x 10	1
		21310	120			FR 110 x 11.5	2
		22310	175			FR 100 x 10	1
65	SN 311	1311	51	FS230 x 6.5 x 8	ZF15	FR 120 x 12	2
		2311	75			FR 120 x 10	1
		21311	138			FR 120 x 12	2
		22311	195			FR 120 x 10	2
70	SN 312	1312	57	FS260 x 7.5 x 9	ZF16	FR 130 x 12.5	2
		2312	86			FR 130 x 10	1
		21312	160			FR 130 x 12.5	2
		22312	230			FR 130 x 10	1
75	SN 313	1313	62	FS260 x 7.5 x 9	ZF17	FR 140 x 12.5	2
		2313	95			FR 140 x 10	1
		21313	184			FR 140 x 12.5	2
		22313	250			FR 140 x 10	1
80	SN 314	1314	75	FS150 x 7.5 x 9	ZF18	FR 150 x 13	2
		2314	110			FR 150 x 10	1
		21314	207			FR 150 x 13	2
		22314	310			FR 150 x 10	1
85	SN 315	1315	80	FS155 x 7.5 x 9	ZF19	FR 160 x 14	2
		2315	122			FR 160 x 10	1
		21315	235			FR 160 x 14	2
		22315	340			FR 160 x 10	1
90	SN 316	1316	88	FS165 x 8.5 x 10	ZF20	FR 170 x 14.5	2
		2316	137			FR 170 x 10	1
		21316	258			FR 170 x 14.5	2
		22316	370			FR 170 x 10	1
95	SN 317	1317	98	FS175 x 8.5 x 10	ZF21	FR 180 x 14.5	2
		2317	140			FR 180 x 10	1
		21317	292			FR 180 x 14.5	2
		22317	420			FR 180 x 10	1
105	SN 318	1318	108	FS185 x 10 x 12	-	FR 190 x 15.5	2
		2318	153			FR 190 x 10	1
		21318	320			FR 190 x 15.5	2
		22318	475			FR 190 x 10	1
110	SN 319	1319	133	FS210 x 10 x 12	ZF24	FR 200 x 16	2
		2319	165			FR 200 x 10	1
		21319	350			FR 200 x 16	2
		22319	515			FR 200 x 10	1
115	SN 320	1320	143	FS210 x 10 x 12	ZF26	FR 215 x 18	2
		2320	190			FR 215 x 10	1
		21320	385			FR 215 x 18	2
		22320	600			FR 215 x 10	1
125	SN 322	20322	400	FS230 x 10 x 12	ZF28	FR 240 x 20	2
		21322	460			FR 240 x 20	2
		22322	720			FR 240 x 10	1
135	SN 324	20324	466	FS230 x 10 x 12	ZF30	FR 260 x 20.5	2
		22324	840			FR 260 x 10	1
150	SN 326	20326	528	FS260 x 10 x 12	ZF34	FR 280 x 22.5	2
		22326	970			FR 280 x 10	1
160	SN 328	20328	616	FS265 x 10 x 12	ZF36	FR 300 x 25	2
		22328	1120			FR 300 x 10	1
170	SN 330	20330	686	FS280 x 10 x 12	ZF38	FR 320 x 26.5	2
		22330	1250			FR 320 x 10	1
180	SN 332	20332	760	FS300 x 10 x 12	ZF40	FR 340 x 28	2
		22332	1375			FR 340 x 10	1

# Bronze Journal Bearings



## DIN 505 Series

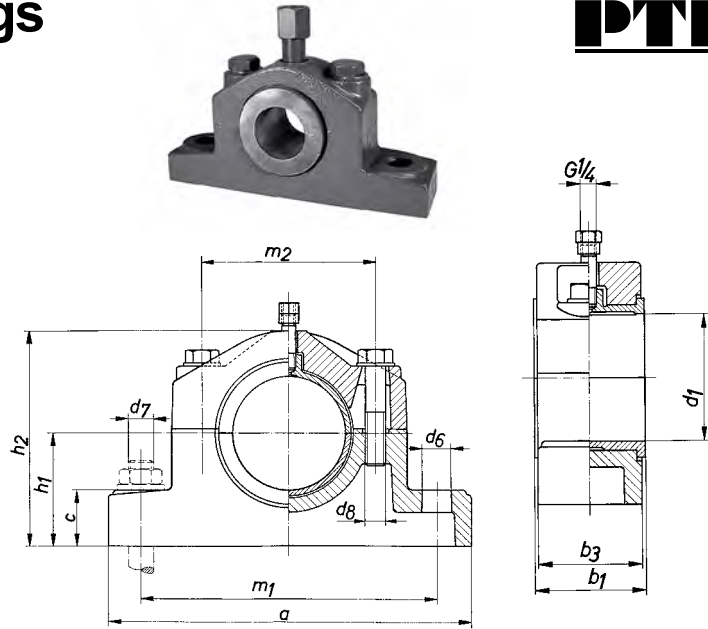
DIN 505 Bronze bearings are designed for applications in lumber, steel, chemical, waste treatment and food industries. They will operate at sliding speeds up to 1.5 m/sec (300 ft/min). Housings are Cast Iron, Journals are Bronze. These bearings are suitable for high temperature applications: standard greases to approximately 110°C (230°F), synthetic or solid lubricants to approximately 450°C (840°F). Lube is channeled into the unloaded zone of the bearing cap through a groove. Other Journal types on request, see other types below. Allowable loading: up to 450 N/cm<sup>2</sup> and sliding loads up to 250 (N·m)/(cm<sup>2</sup>·s) where:

N = bearing load (Newtons)

s = seconds

cm = surface area (centimeters)

m = meters

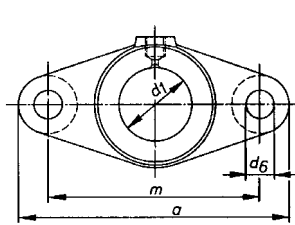


Part No.	Shaft d <sub>1</sub>	a	b <sub>1</sub>	b <sub>3</sub>	c	d <sub>6</sub>	d <sub>7</sub>	d <sub>8</sub>	h <sub>1</sub>	h <sub>2</sub>	m <sub>1</sub>	m <sub>2</sub>	Housing Wt. kg
DIN505-25	25	165	45	40	22	15	M12	M10	40	78	125	65	1.6
DIN505-30	30												
DIN505-35	35	180	50	45	25	15	M12	M10	50	95	140	75	2.3
DIN505-40	40												
DIN505-45	45	210	55	50	30	19	M16	M12	60	114	160	90	3.3
DIN505-50	50												
DIN505-55	55	225	60	55	35	19	M16	M12	70	132	175	100	4.4
DIN505-60	60												
DIN505-70	70	270	65	60	40	24	M20	M16	80	154	210	120	7.1
DIN505-80	80	290	75	70	45	24	M20	M16	90	170	230	130	10.2
DIN505-90	90	330	85	80	50	28	M24	M20	100	188	265	150	13.4
DIN505-100	100	355	95	90	55	28	M24	M20	110	210	290	170	19.0
DIN505-110	110												
DIN505-125	125	420	110	100	60	35	M30	M24	130	250	340	200	29.2
DIN505-140	140	440	125	120	65	35	M30	M24	150	280	360	220	39.0

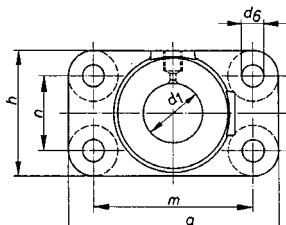
Dimensions in mm.

## Other DIN 500 Series Units

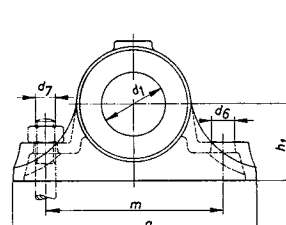
(Request Dimension Sheets)



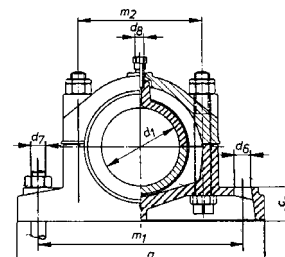
DIN 502



DIN 503



DIN 504



DIN 506

# Plummer Block Housings

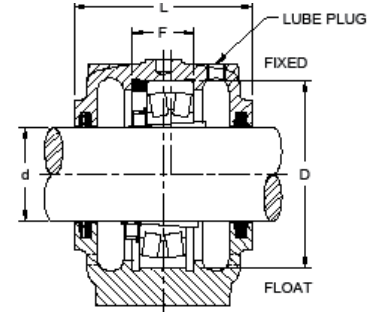
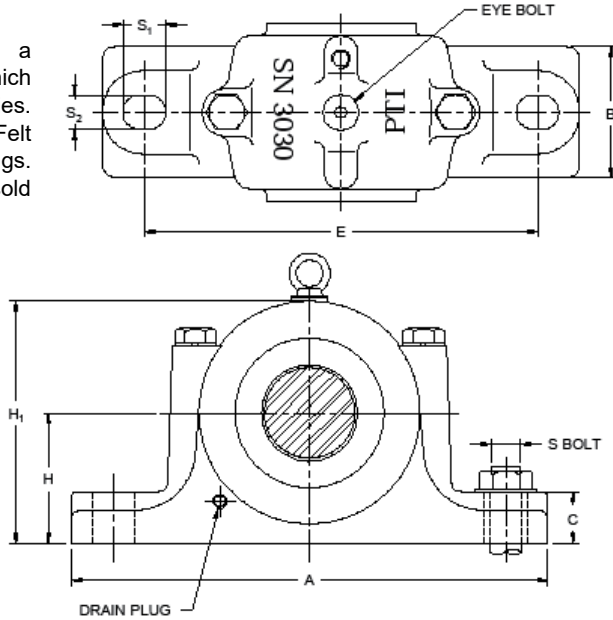


## S 3000K Series

The S 3000K Series is a heavy duty metric block which uses the 230 Bearing Series. Cast Iron blocks include Felt Seals and Fixing Rings. Adapters and Bearings sold separately.



Models Available



Housing Part No.	Dimensions (mm)													Housing Wt. kg
	d	A	B	C	D	E	F	H	H <sub>1</sub>	L	S	S <sub>1</sub>	S <sub>2</sub>	
S3024K	110	390	110	40	180	320	56	112	215	150	M 24	30	36	17
S3026K	115	420	120	45	200	350	62	125	239	160	M 24	30	36	20
S3028K	125	420	120	45	210	350	63	140	259	170	M 24	30	36	25
S3030K	135	460	130	45	225	380	66	150	278	175	M 24	30	36	29
S3032K	140	470	130	50	240	390	70	150	288	190	M 24	30	36	37
S3034K	150	540	160	55	260	450	77	160	365	200	M 30	36	48	45
S3036K	160	560	160	55	280	470	84	170	385	210	M 30	36	48	65
S3038K	170	560	160	55	290	470	85	170	405	210	M 30	36	48	67
S3040K	180	615	170	60	310	515	92	180	425	235	M 30	36	48	72
S3044K	200	690	190	70	340	580	100	200	460	255	M 36	42	50	98
S3048K	220	720	200	75	360	610	102	210	495	265	M 36	42	50	110
S3052K	240	820	220	80	400	680	114	240	547	285	M 45	52	70	148
S3056K	260	860	230	80	420	720	116	250	567	295	M 45	52	70	165

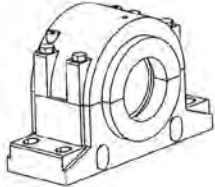
Housing Part No.	Bearing Part No.	Basic Dynamic Rating C kN	Adapter Sleeves Part No.	Fixing Rings		Felt Seals		End Cover Part No.	Initial Grease Quantity g
				Part No.	Qty	Part No.	Qty		
S3024K	23024KC3W33	300	H3024	FR 180/10	1	10 x 8.5 x 195	4	DK 128	0.50
S3026K	23026KC3W33	370	H3026	FR 200/10	1	10 x 8.5 x 200	4	DK 133	0.80
S3028K	23028KC3W33	395	H3028	FR 210/10	1	14 x 11 x 225	4	DK 151	0.90
S3030K	23030KC3W33	435	H3030	FR 225/10	1	14 x 11 x 240	4	DK 161	1.10
S3032K	23032KC3W33	500	H3032	FR 240/10	1	14 x 11 x 250	4	DK 166	1.20
S3034K	23034KC3W33	620	H3034	FR 260/10	1	16 x 12 x 270	4	DK 180	1.50
S3036K	23036KC3W33	720	H3036	FR 280/10	1	16 x 12 x 285	4	DK 190	1.70
S3038K	23038KC3W33	750	H3038	FR 290/10	1	16 x 12 x 300	4	DK 200	1.90
S3040K	23040KC3W33	875	H3040	FR 310/10	1	16 x 12 x 315	4	DK 210	2.20
S3044K	23044KC3W33	1040	H3044	FR 340/10	1	16 x 12 x 350	4	DK 230	2.90
S3048K	23048KC3W33	1125	H3048	FR 360/10	1	16 x 12 x 380	4	DK 250	4.00
S3052K	23052KC3W33	1400	H3052	FR 400/10	1	16 x 12 x 410	4	DK 270	4.50
S3056K	23056KC3W33	1500	H3056	FR 420/10	1	16 x 12 x 445	4	DK 290	5.20

# Plummer Block Housings

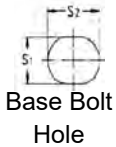


## SD 3000 TS Series

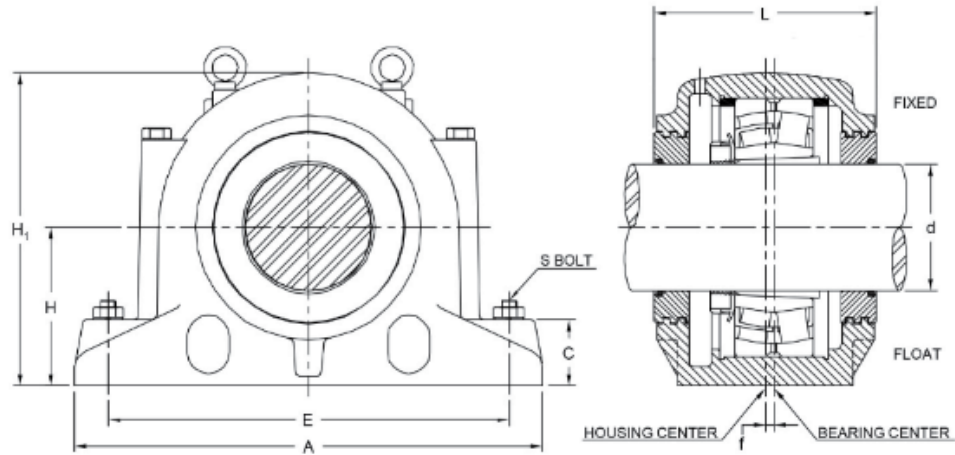
The SD 3100 Series is an extra heavy duty housing that uses an adapter mounted bearing. The unit includes fixing rings and labyrinth seal rings. Standard housing is Cast Iron. Ductile and Steel housings are also stocked. End covers on request.



Models Available



Base Bolt Hole

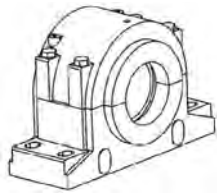


Dimensions in mm

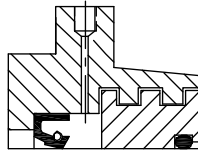
Housing Part No.	Shaft Dia. d	A	b	C	e	E	f	H	H <sub>1</sub>	L	S	S <sub>1</sub>	S <sub>2</sub>	T	x	Housing Wt. kg
SD3036	160	510	180	70	100	430	14	170	335	230	M24	30	42	154	60	68
SD3038	170	530	190	75	110	450	15	180	355	240	M24	30	42	167	60	72
SD3040	180	560	210	80	120	480	10	190	375	260	M24	30	42	168	72	88
SD3044	200	610	230	85	130	510	10	210	410	280	M30	37	51	180	77	113
SD3048	220	640	240	90	140	540	12	220	435	290	M30	37	51	184	80	131
SD3052	240	700	260	95	150	600	12	240	475	310	M30	37	51	191	87	172
SD3056	260	770	280	100	160	650	13	260	515	320	M36	43	60	200	90	215
SD3060	280	790	280	105	160	670	16	280	550	320	M36	43	60	200	97	233
SD3064	300	830	310	110	190	710	22	300	590	350	M36	43	60	213	97	281
SD3068	320	880	330	115	200	750	23	320	630	370	M36	43	62	224	104	340
SD3072	340	880	330	115	200	750	23	320	630	370	M36	43	62	250	104	340
SD3076	360	950	360	120	220	810	24	340	675	400	M36	43	62	244	110	405
SD3080	380	1000	360	120	220	840	30	350	695	400	M36	43	62	244	120	425
SD3084	400	1040	360	120	220	870	30	360	715	400	M36	43	62	259	120	440
SD3088	410	1120	390	125	240	950	30	380	755	430	M42	50	70	267	135	570
SD3092	430	1170	420	130	260	1000	35	410	810	460	M42	50	70	279	140	695
SD3096	450	1170	420	130	260	1000	35	410	810	460	M42	50	70	279	140	695

# Plummer Block Housings

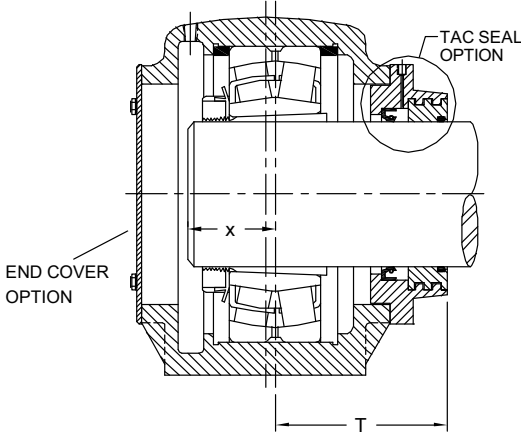
## SD 3000 TS Series



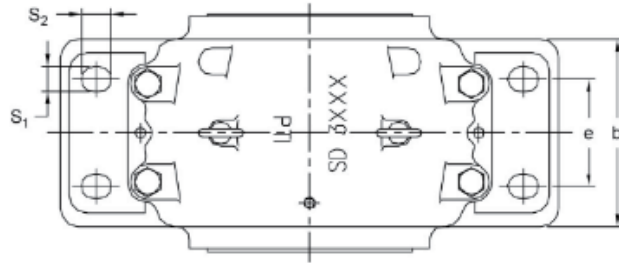
Models Available



TAC SEAL OPTION



END COVER OPTION



Housing Part No.	Labyrinth Seals Part No. (2)	Taconite Seals Part No. (2)	End Cover Part No.	Bearing Part No.	Adapter Sleeve Part No.	Basic Dynamic Load Rating C kN	Fixing Rings		O Ring Seal Dia. x Length	Grease Qty Initial Charge kg
							Part No.	Qty.		
SD3036	TS34	TAC34	EC34	23036K	H3036	720	FR 280/10	2	4 x 560	1.2
SD3038	TS38	TAC38	EC38	23038K	H3038	750	FR 290/10	2	4 x 590	1.5
SD3040	TS40	TAC40	EC40	23040K	H3040	875	FR 310/10	2	4 x 620	1.9
SD3044	TS44	TAC44	EC44	23044K	H3044	1040	FR 340/10	2	4 x 680	2.4
SD3048	TS48	TAC48	EC48	23048K	H3048	1125	FR 360/10	2	4 x 750	2.8
SD3052	TS52	TAC52	EC52	23052K	H3052	1400	FR 400/10	2	4 x 810	3.6
SD3056	TS56	TAC56	EC56	23056K	H3056	1500	FR 420/10	2	4 x 870	4.5
SD3060	TS60	TAC60	EC60	23060K	H3060	1890	FR 460/10	2	4 x 940	4.6
SD3064	TS64	TAC64	EC64	23064K	H3064	1960	FR 480/10	2	4 x 1000	6.5
SD3068	TS68	TAC68	EC68	23068K	H3068	2310	FR 520/10	2	4 x 1100	8.1
SD3072	TS72	TAC72	EC72	23072K	H3072	2370	FR 540/10	2	4 x 1100	8.1
SD3076	TS76	TAC76	EC76	23076K	H3076	2500	FR 560/10	2	4 x 1200	9.0
SD3080	TS80	TAC80	EC80	23080K	H3080	2980	FR 600/10	2	4 x 1200	11.5
SD3084	TS84	TAC84	EC84	23084K	H3084	3100	FR 620/10	2	4 x 1300	10.0
SD3088	TS84	TAC84	EC84	23084K	H3088	3300	FR 650/10	2	4 x 1400	12.3
SD3092	TS92	TAC92	EC92	23088K	H3092	3600	FR 680/10	2	4 x 1400	14.5
SD3096	TS96	TAC96	EC96	23092K	H3096	3650	FR 700/10	2	4 x 1500	18.0

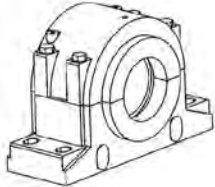
Note: Housings are machined and drilled to receive Taconite Seals.

# Plummer Block Housings

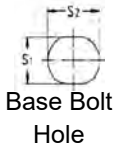


## SD 3100 TS Series

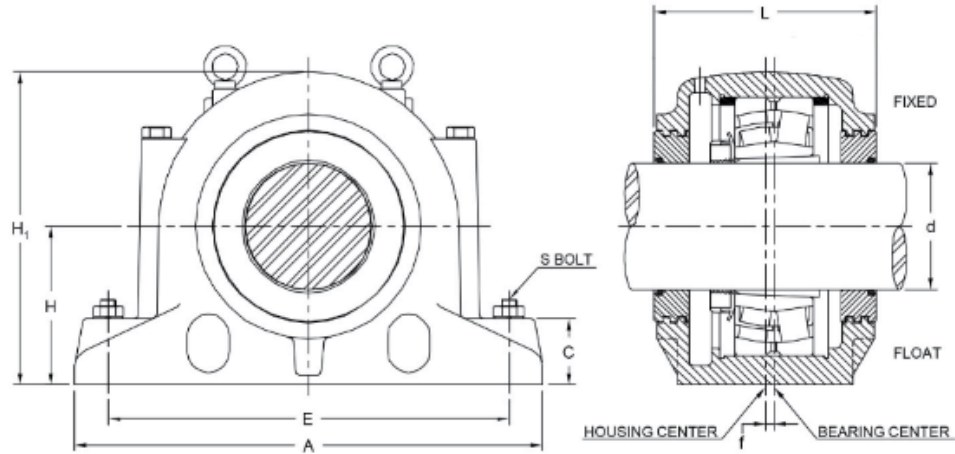
The SD 3100 Series is an extra heavy duty housing that uses an adapter mounted bearing. The unit includes fixing rings and labyrinth seal rings. Standard housing is Cast Iron. Ductile and Steel housings are also stocked. End covers on request.



Models Available



Base Bolt Hole



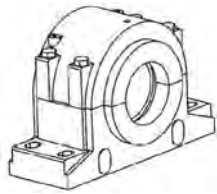
Dimensions in mm

Housing Part No.	Shaft Dia. d	A	b	C	L	e	E	f	H	H <sub>1</sub>	S	S <sub>1</sub>	S <sub>2</sub>	T	x	Housing Wt. kg
SD 3134TS	150	510	180	70	230	100	430	14	170	335	M24	28	34	154	65	68
SD 3136TS	160	530	190	75	240	110	450	15	180	355	M24	28	34	159	68	72
SD 3138TS	170	560	210	80	260	120	480	10	190	375	M24	28	34	168	80	88
SD 3140TS	180	610	230	85	280	130	510	10	210	410	M30	35	42	178	82	113
SD 3144TS	200	640	240	90	290	140	540	12	220	435	M30	35	42	184	90	131
SD 3148TS	220	700	260	95	310	150	600	12	240	475	M30	35	42	194	100	172
SD 3152TS	240	770	280	100	320	160	650	13	260	515	M36	42	50	200	105	215
SD 3156TS	260	790	280	105	320	160	670	16	280	550	M36	42	50	200	105	333
SD 3160TS	280	830	310	110	350	190	710	22	300	590	M36	42	50	213	110	281
SD 3164TS	300	880	330	115	370	200	750	23	320	630	M36	42	50	224	120	340
SD 3168 NTS	320	950	360	120	400	220	810	24	340	675	M36	42	50	—	155	405
SD 3172 NTS	340	1000	360	120	400	220	840	30	350	695	M36	42	50	—	160	425
SD 3176 NTS	360	1040	360	120	400	220	870	30	360	715	M36	42	50	247	165	440
SD 3180 NTS	380	1120	390	125	430	240	950	30	380	755	M42	50	70	—	170	570
SD 3184 NTS	400	1170	420	130	460	260	1000	35	410	810	M42	50	70	—	190	695

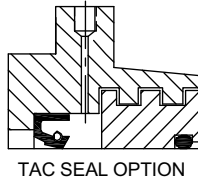
Housing Part No.	Shaft Dia. d	A	b	C	L	e	E	f	H	H <sub>1</sub>	S	S <sub>1</sub>	S <sub>2</sub>	T	x	Housing Wt. kg
SD 3168TS	320	965	380	120	390	240	840	25	340	670	M45	54	72	244	135	430
SD 3172TS	340	1040	390	130	390	255	890	22	360	720	M50	60	80	249	145	560
SD 3176TS	360	1120	400	135	405	255	980	22	380	950	M55	68	90	260	145	770
SD 3180TS	380	1245	420	140	425	270	1050	22	400	790	M60	76	96	272	150	870

# Plummer Block Housings

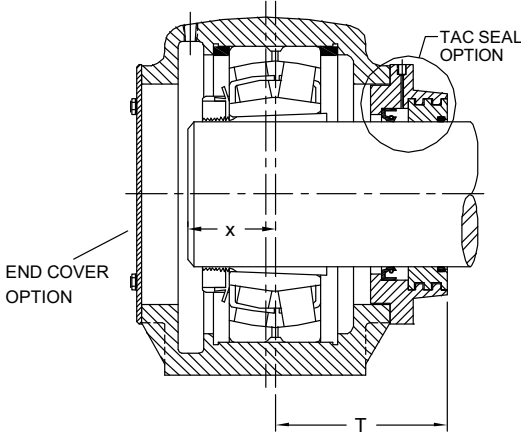
## SD 3100 TS Series



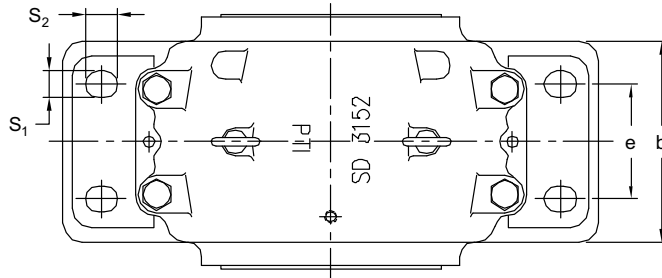
Models Available



TAC SEAL OPTION



END COVER OPTION



Size Part No.	Labyrinth Seals Part No.	Taconite Seals Part No. (2)	Bearing Part No.	Adapter Sleeve Part No.	Basic Dynamic Load Rating C kN	Fixing Rings		O Ring Dia. x Length	Grease Qty Initial Charge kg
						Part No.	Qty.		
SD 3134TS	TS 34	TAC34	23134 K	H3134	890	FR 280/10	2	4 x 530	1.8
SD 3136TS	TS 36	TAC36	23136 K	H3136	1040	FR 300/10	2	4 x 560	2.2
SD 3138TS	TS 38	TAC38	23138 K	H3138	1200	FR 320/10	2	4 x 590	2.9
SD 3140TS	TS 40	TAC40	23140 K	H3140	1350	FR 340/10	2	4 x 620	3.8
SD 3144TS	TS 44	TAC44	23144 K	H3144	1550	FR 370/10	2	4 x 680	4.4
SD 3148TS	TS 48	TAC48	23148 K	H3148	1750	FR 400/10	2	4 x 750	5.5
SD 3152TS	TS 52	TAC52	23152 K	H3152	2200	FR 440/10	2	4 x 810	7.0
SD 3156TS	TS 56	TAC56	23156 K	H3156	2250	FR 460/10	2	4 x 870	7.4
SD 3160TS	TS 60	TAC60	23160 K	H3160	2800	FR 500/10	2	4 x 940	10.5
SD 3164TS	TS 64	TAC64	23164 K	H3164	3200	FR 540/10	2	4 x 1000	13.0
SD 3168 NTS	TS 68	TAC68	23168 K	H3168	3600	FR 580/10	2	4 x 1100	20.0
SD 3172 NTS	TS 72	TAC72	23172 K	H3172	3750	FR 600/10	2	4 x 1100	20.0
SD 3176 NTS	TS 76	TAC76	23176 K	H3176	3900	FR 620/10	2	4 x 1200	25.0
SD 3180 NTS	TS 80	TAC80	23180 K	H3180	4200	FR 650/10	2	4 x 1200	25.0
SD 3184 NTS	TS 84	TAC84	23184 K	H3184	5200	FR 700/10	2	4 x 1300	35.0

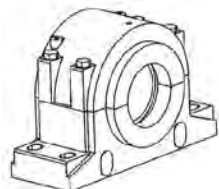
Size Part No.	Labyrinth Seals Part No.	Taconite Seals Part No. (2)	Bearing Part No.	Adapter Sleeve Part No.	Basic Dynamic Load Rating C kN	Fixing Rings		O Ring Dia. x Length	Grease Qty Initial Charge kg
						Part No.	Qty.		
SD 3168TS	TS 68	TAC68	23168 K	H3168	3600	FR 580/10	2	4 x 1100	20.0
SD 3172TS	TS 72	TAC72	23172 K	H3172	3750	FR 600/10	2	4 x 1100	20.0
SD 3176TS	TS 76	TAC76	23176 K	H3176	3900	FR 620/10	2	4 x 1200	25.0
SD 3180TS	TS 80	TAC80	23180 K	H3140	4200	FR 650/10	2	4 x 1200	25.0

# Plummer Block Housings

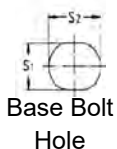


## SD 3200 TS Series

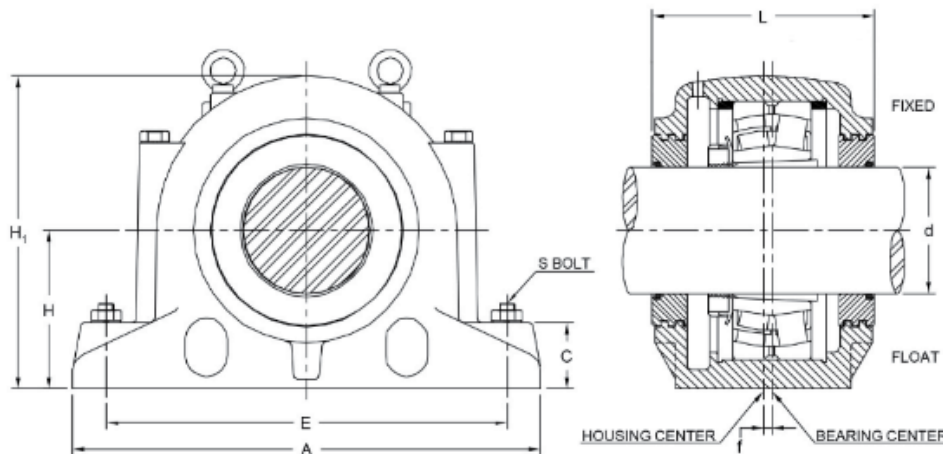
The SD 3200 Series is an extra heavy duty housing that uses an adapter mounted bearing. The unit includes fixing rings and labyrinth seal rings. Standard housing is Cast Iron. Ductile and Steel housings are also stocked. End covers on request.



Models Available



Base Bolt Hole



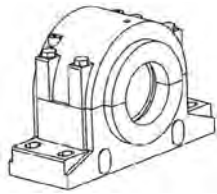
Dimensions in mm

Housing Part No.	Shaft Dia. d	A	b	C	e	E	f	H	H <sub>1</sub>	L	S	S <sub>1</sub>	S <sub>2</sub>	T	x	Housing Wt. kg
SD3234	150	560	210	80	120	480	10	190	375	260	M24	30	42	160	80	88
SD3236	160	560	210	80	120	480	10	190	375	260	M24	30	42	160	82	88
SD3238	170	610	230	85	130	510	10	210	410	280	M30	37	51	178	88	113
SD3240	180	640	240	90	140	540	12	220	435	290	M30	37	51	182	90	131
SD3244	200	700	260	95	150	600	12	240	475	310	M30	37	51	194	102	172
SD3248	220	770	280	100	160	650	13	260	515	320	M36	43	60	203	108	215
SD3252	240	830	310	110	190	710	22	300	590	350	M36	43	60	213	112	281
SD3256	260	830	310	110	190	710	22	300	590	350	M36	43	60	213	114	340
SD3260	280	880	330	115	200	750	23	320	630	370	M36	43	62	224	130	405
SD3264	300	950	360	120	220	810	24	340	675	400	M36	43	62	244	144	440
SD3268	320	1040	360	120	220	870	30	360	715	400	M36	43	62	260	154	570
SD3272	340	1120	390	125	240	950	30	380	755	430	M42	50	70	272	165	695
SD3276	360	1170	420	130	260	1000	35	410	810	460	M42	50	70	277	170	840
SD3280	380	1170	420	130	260	1000	35	410	810	460	M42	50	70	277	178	995
SD3284	400	1280	440	148	260	1070	35	440	875	480	M42	48	60	287	193	1850
SD3288	410	1330	440	155	260	1110	35	460	920	480	M48	56	70	286	197	1850

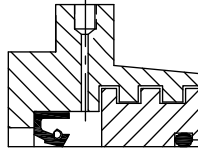


# Plummer Block Housings

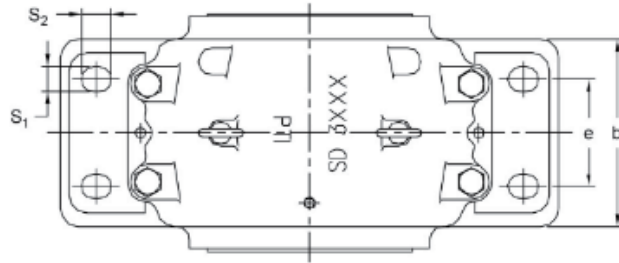
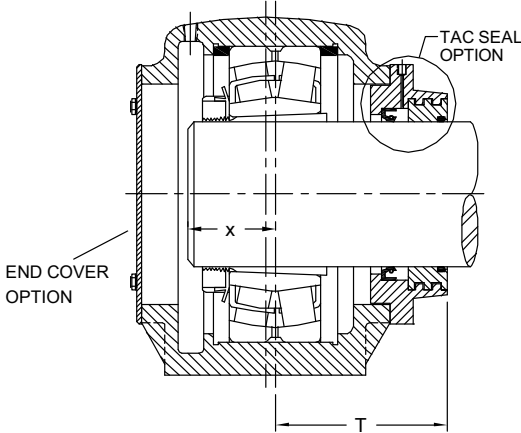
## SD 3200 TS Series



Models Available



TAC SEAL OPTION



Housing Part No.	Labyrinth Seals Part No. (2)	Taconite Seals Part No. (2)	End Cover Part No.	Bearing Part No.	Adapter Sleeve Part No.	Basic Dynamic Load Rating C kN	Fixing Rings		O Ring Seal Dia. x Length	Grease Qty Initial Charge kg
							Part No.	Qty.		
SD3234	TS34	TAC34	EC34	23234K	H2334	1190	FR310x6	2	4 x 530	2.7
SD3236	TS36	TAC36	EC36	23236K	H2336	1290	FR320x6	2	4 x 560	3.0
SD3238	TS38	TAC38	EC38	23238K	H2338	1440	FR340x6	2	4 x 590	3.5
SD3240	TS40	TAC40	EC40	23240K	H2340	1660	FR360x6	2	4 x 620	4.3
SD3244	TS44	TAC44	EC44	23244K	H2344	2020	FR400x10	2	4 x 680	5.7
SD3248	TS48	TAC48	EC48	23248K	H2348	2440	FR440x10	2	4 x 750	6.5
SD3252	TS52	TAC52	EC52	23252K	H2352	2760	FR480x10	2	4 x 810	7.3
SD3256	TS56	TAC56	EC56	23256K	H2356	2930	FR500x10	2	4 x 870	8
SD3260	TS60	TAC60	EC60	23260K	H2360	3450	FR540x10	2	4 x 940	9
SD3264	TS64	TAC64	EC64	23264K	H2364	4000	FR580x10	2	4 x 1000	10
SD3268	TS68	TAC68	EC68	23268K	H2368	4450	FR620x10	2	4 x 1100	13
SD3272	TS72	TAC72	EC72	23272K	H2372	4850	FR650x10	2	4 x 1100	15
SD3276	TS76	TAC76	EC76	23275K	H2375	5200	FR680x10	2	4 x 1200	15
SD3280	TS80	TAC80	EC80	23280K	H2380	5850	FR720x10	2	4 x 1200	20
SD3284	TS84	TAC84	EC84	23284K	H2384	6550	FR760x10	2	4 x 1300	21
SD3288	TS88	TAC88	EC88	23288K	H2388	8300	FR790x10	2	4 x 1400	22

Note: Housings are machined and drilled to receive Taconite Seals.

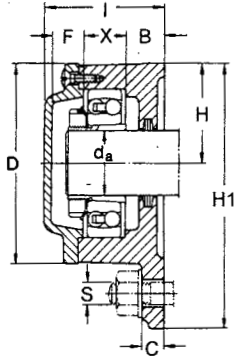
# Flanged Housings



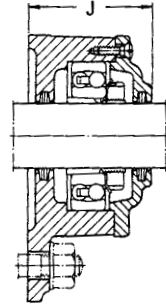
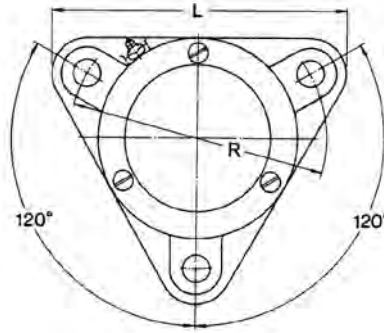
## 722500 Series - 3 Bolt Triangular

### For 1200, 2200 & 222 Series Bearings

These Flanged Housings accommodate 1220, 2200 series Ball and 222 series Spherical Bearings. Type A housings are closed one end, and Type B are open on both ends. Both are supplied with seals and fixing rings. For expansion units omit the fixing ring. Specify Type A or B when ordering. Units are normal stock.



Type A - Closed End



Type B - Open End

Part No. Closed End	Part No. Open End	Bore d <sub>a</sub>	Dimensions (mm)												Housing Wt. kg
			B	C	D	F	H	H <sub>1</sub>	I	J	L	R	S	X	
722505DA	722505DB	20	15	10	75	12.5	38.0	100	51.5	56.5	110	96	10	20	1.1
722506DA	722506DB	25	16	12	86	15.0	44.0	117	57.0	59.5	130	116	10	22	1.5
722507DA	722507DB	30	16	12	97	14.5	48.5	130	59.5	63.5	145	130	12	25	1.8
722508DA	722508DB	35	17	12	108	18.0	54.0	143	64.0	65.5	160	140	12	25	2.3
722509DA	722509DB	40	19	12	113	16.5	60.0	160	64.5	69.5	180	160	12	25	3.0
722510DA	722510DB	45	22	15	118	17.5	60.0	160	68.5	73.0	180	160	12	25	3.5
722511DA	722511DB	50	24	15	128	19.5	65.0	172	75.5	81.5	192	170	12	27	4.1
722512DA	722512DB	55	23	15	142	19.0	72.0	189	77.0	82.0	210	180	12	30	4.8
722513DA	722513DB	60	22	15	152	20.0	78.0	203	80.0	86.0	225	190	12	33	5.9

## Bearings, Sleeves and Accessories

Size Part No.	Bearing Part No.	Basic Dynamic Rating C kN	Sleeve Part No.	Fixing Ring Part No.	Seals Part No.
722505D	1205K	12.2	H205	FR5 x 52	FS120
	2205K	17.0	H305	ZW42 x 52	
	22205K	35.0	H305	ZW42 x 52	
722506D	1206K	15.6	H206	FR6 x 62	FS120
	2206K	25.5	H306	ZW50 x 62	
	22206K	48.0	H306	ZW50 x 62	
722507D	1207K	16.0	H207	FR8 x 72	FS130
	2207K	32.0	H307	ZW65 x 72	
	22207K	67.0	H307	ZW65 x 72	
722508D	1208K	19.3	H208	FR7 x 80	FS130
	2208K	31.5	H308	ZW70 x 80	
	22208K	73.0	H308	ZW70 x 80	
722509D	1209K	22.0	H209	FR6 x 85	FS150
	2209K	28.0	H309	ZW75 x 85	
	22209K	77.0	H309	ZW75 x 85	

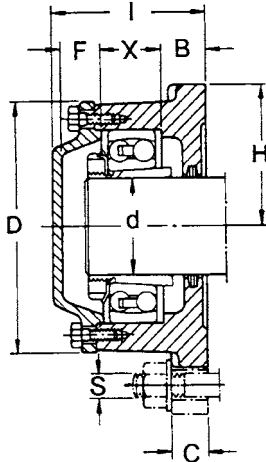
Size Part No.	Bearing Part No.	Basic Dynamic Rating C kN	Sleeve Part No.	Fixing Ring Part No.	Seals Part No.
722510D	1210K	22.8	H210	FR5 x 90	FS165
	2210K	28.0	H310	ZW80 x 90	
	22210K	84.0	H310	ZW80 x 90	
722511D	1211K	27.0	H211	FR6 x 100	FS200
	2211K	39.0	H311	ZW85 x 100	
	22211K	115.0	H311	ZW85 x 100	
722512D	1212K	30.0	H212	FR8 x 110	FS200
	2212K	47.5	H312	ZW90 x 110	
	22212K	122.0	H312	ZW90 x 110	
722513D	1213K	31.0	H213	FR10 x 120	FS210
	2213K	57.0	H313	ZW100 x 120	
	22213K	148.0	H313	ZW100 x 120	

# Flanged Housings

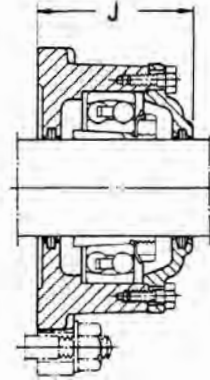
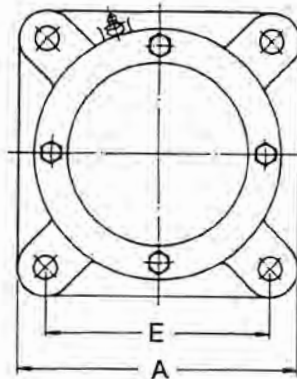


## 722500 Series - 4 Bolt Flange For 1200, 2200, & 222 Series Bearings

These 722500 Series Flange Housings utilize self aligning Ball or Spherical Roller Bearings. Type A housings are closed end, Type B are open on both ends. Seals and fixing rings are included. For expansion units omit the fixing ring. Specify Type A or B when ordering. Units are normal stock.



Type A - Closed End



Type B - Open End

Part No. Closed End	Part No. Open End	Bore d	Dimensions (mm)										Housing Wt. kg	
			A	B	C	D	E	F	H	I	J	S		X
722515A	722515B	65	190	30	25	168	152	27	95	104	104	16	41	9.4
722516A	722516B	70	196	31	25	176	152	30	98	110	110	16	43	10.0
722517A	722517B	75	210	31	25	188	170	30	105	114	114	16	46	11.5
722518A	722518B	80	210	30	25	198	170	31	105	118	118	16	50	12.5
722520A	722520B	90	250	30	30	224	198	33	125	127	127	20	56	18.0
722522A	722522B	100	270	30	30	246	219	38	135	137	137	20	63	22.0

## Bearings, Sleeves and Accessories

Size Part No.	Bearing Part No.	Basic Dynamic Rating C kN	Sleeve Part No.	Fixing Ring		Seals Part No.
				Qty	Part No.	
722515	1215K	39.0	H215	2	FR 8 x 130	FS260
	2215K	44.0	H315	1	FR 10 x 130	
	22215K	156.0	H315	1	FR 10 x 130	
722516	1216K	40.0	H216	2	FR 8.5 x 10	FS330
	2216K	51.0	H316	1	FR 10 x 140	
	22216K	175.0	H316	1	FR 10 x 140	
722517	1217K	48.0	H217	2	FR 9 x 150	FS330
	2217K	58.5	H317	1	FR 10 x 150	
	22217K	210.0	H317	1	FR 10 x 150	

Size Part No.	Bearing Part No.	Basic Dynamic Rating C kN	Sleeve Part No.	Fixing Ring		Seals Part No.
				Qty	Part No.	
722518	1218K	57.0	H218	2	FR 10 x 160	FS350
	2218K	71.0	H318	1	FR 10 x 160	
	22218K	250.0	H318	1	FR 10 x 160	
722520	1220K	69.5	H220	1	FR 10 x 180 and FR 12 x 180	FS370
				1	FR 10 x 180	
	2220K	98.0	H320	1	FR 10 x 180	
722522	1222K	88.0	H222	2	FR 12.5 x 200	FS460
	2222K	124.0	H322	1	FR 10 x 200	
	22222K	405.0	H322	1	FR 10 x 200	

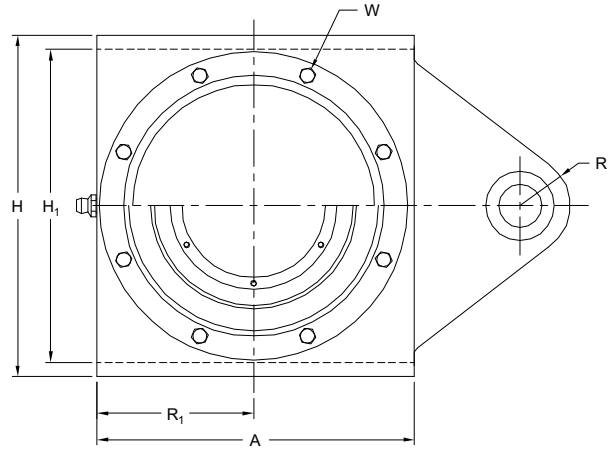
# HSPA Take-Up Units



HSPA Take-Up Units mount on customer supplied frames. When used in pairs, they provide adjustment for conveyor systems. Housings can be provided with bearing and adapter. Custom units are also possible.



Models Available



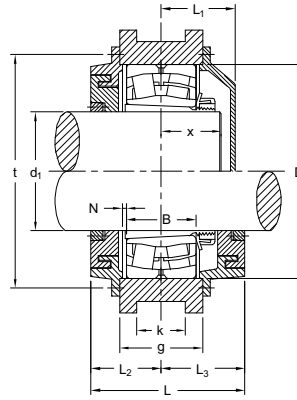
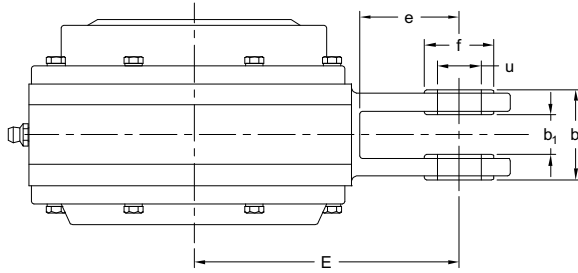
Dimensions in mm

Part No.	Shaft $d_1$	A	$R_1$	H	$H_1$	E	e	f	u	b	$b_1$	L	$L_1$	$L_2$	$L_3$	g	k
HSPA2211 K	50	150	75	150	135	105	30	60	20	42	22	109	35	49	60	50	34
HSPA2212 K	55	165	82.5	165	150	120	37	60	25	50	26	120	40	54	66	60	43
HSPA2213 K	60	160	80	180	155	145	65	60	30	66	30	135	53	62	73	78	53
HSPA2216 K	70	180	90	200	175	155	65	60	30	66	30	145	58	67	78	78	53
HSPA2218 K	80	210	105	230	200	170	65	60	30	66	30	168	63	78	90	78	53
HSPA2220K	90	235	117.5	250	220	185	67	65	35	70	36	170	65	80	90	69	40
HSPA2222K	100	255	125	270	240	200	70	70	40	76	40	199	68	94	105	78	53
HSPA2224K	110	275	135	290	260	210	70	70	40	76	40	180	69	85	95	78	53
HSPA2226K	115	295	147.5	310	290	220	70	70	40	76	40	194	78	87	110	82	53
HSPA2228K	125	315	155	330	300	230	70	70	40	76	40	226	78	113	113	83	53
HSPA3028K	125	260	130	300	270	225	90	90	50	150	60	156	68	68	88	70	45
HSPA3030K	135	280	140	320	290	235	90	90	50	150	60	194	82	82	112	85	45
HSPA3132K	140	370	185	370	340	350	160	100	61	132	62	229	108	108	121	116	65
HSPA3034K	150	325	162.5	360	330	260	90	90	50	150	60	201	88	88	113	102	65
HSPA3134K	150	375	187.5	400	370	395	180	100	60	132	62	249	113	113	136	120	65
HSPA2236K	160	420	210	440	410	380	170	140	80	135	65	255	95	120	135	114	60
HSPA3036K	160	350	175	390	360	275	90	90	50	150	60	201	88	88	113	110	65
HSPA3136K	160	400	200	440	410	360	158	140	80	135	65	248	105	113	135	120	60
HSPA3236K	160	420	210	450	410	300	90	140	80	140	70	285	110	135	150	140	93
HSPA3038K	170	375	180	440	400	290	90	90	50	150	60	211	88	93	118	105	65
HSPA3040K	180	390	200	430	400	275	85	120	70	125	62	240	108	107	133	125	83
HSPA3140K	180	420	210	440	410	360	140	100	60	140	70	270	115	120	150	140	100
HSPA3044K	200	430	210	480	440	325	100	100	60	200	70	241	103	103	138	120	65
HSPA3144K	200	470	235	510	480	530	260	140	100	144	74	276	128	128	148	150	65
HSPA3148K	220	520	260	540	500	515	250	250	100	215	123	328	129	149	179	152	65
HSPA3052K	240	500	245	540	500	515	250	250	100	215	123	261	113	113	148	135	65
HSPA3152K	240	550	275	570	540	565	270	250	100	225	135	336	140.5	150.5	185.5	175	80
HSPA3252K	240	596	298	610	570	615	300	240	100	240	173	375	157.5	167.5	207.5	205	103
HSPA3156K	260	600	300	610	570	615	300	200	100	240	173	351	148	158	193	175	103
HSPA3160K	280	630	315	650	610	650	310	200	100	270	170	385	155	170	215	190	130
HSPA2260K	280	660	330	680	640	630	280	200	105	220	150	370	160.5	174.5	195.5	177	80
HSPA3260K	280	680	340	690	650	680	310	260	100	270	190	404	187	182	222	230	115
HSPA3164K	300	680	340	700	660	680	340	240	110	300	180	395	192	180	215	210	140
HSPA3168K	320	740	370	740	700	720	310	240	120	300	180	445	200	200	245	220	150
HSPA3268K	320	735	385	740	700	750	310	240	110	300	213	475	238	203	272	265	123
HSPA3272K	340	800	400	830	790	765	310	280	130	330	213	509	222	227	282	275	123
HSPA3176K	360	750	375	790	740	750	320	230	110	300	200	459	202	202	257	230	120
HSPA3276K	360	810	405	820	780	780	305	240	110	300	213	529	257	232	297	295	123

Note: Housing can be supplied as fixed (F) or floating (L). Housing also supplied for thru shafts (B) or closed (A). Specify at the time of order.

Material = Cast Steel

# HSPA Take-Up Units



Models Available

Dimensions in mm

Part No.		Basic Dynamic Load Rating C kN	Bearing Dimensions		Cover Plate			Mounting Dimensions			Housing Weight kg
Bearing	Sleeve		D	B	W	t	Qty	X	N	R	
22211K	H311	115	100	25	M 8	115	12	27	2	30	9.5
22212K	H312	122	110	28	M 8	125	12	30	2	35	10
22213K	H313	148	120	31	M 8	135	16	35	2	40	12
22216K	H316	175	140	33	M 8	155	16	40	2	40	17
22218K	H318	250	160	40	M 8	180	16	45	2	40	24
22220K	H320	310	180	46	M 8	205	12	46	2.5	40	27
22222K	H322	405	200	53	M 8	220	16	55	2.5	45	29
22224K	H3124	465	215	58	M 8	240	16	58	2.5	45	30
22226K	H3126	545	230	64	M 12	260	12	61	3	45	38
22228K	H3128	605	250	68	M 10	275	16	65	3	45	43
23028K	H3028	395	210	53	M 10	235	16	55	3	70	50
23030K	H3030	435	225	56	M 12	250	16	60	2	70	60
23132K	H3132	840	270	86	M 12	300	16	78	3	90	125
23034K	OH3034	620	260	67	M 12	285	16	68	2	70	105
23134K	OH3134	890	280	88	M 12	330	16	80	3	90	180
22236K	OH3136	1000	320	86	M 16	360	16	80	3	100	230
23036K	OH3036	720	280	74	M 12	310	16	72	3	70	132
23038K	OH3038	750	290	75	M 16	325	16	72	3	70	135
23040K	OH3040	875	310	82	M 16	340	16	78	3	80	160
23140K	OH3140	1350	340	112	M 16	380	16	95	2	80	175
23044K	OH3044	1040	340	90	M 16	375	16	80	3	80	185
23144K	OH3144	1550	370	120	M 16	410	16	95	4	120	265
23148K	OH3148	1750	400	128	M 20	455	16	110	4	150	310
23052K	OH3052	1400	400	104	M 16	440	16	94	4	150	240
23152K	OH3152	2200	440	144	M 24	490	16	115	4	150	330
23252K	OH2352	2760	480	174	M 20	535	16	130	3	150	420
23156K	OH3156	2250	460	146	M 24	510	16	120	4	150	360
23160K	OH3160	2800	500	160	M 24	550	16	130	4	150	440
22260K	OH3160	1890	540	140	M 20	600	16	120	4	170	530
23260K	OH3260	3450	540	192	M 24	600	16	145	4	180	625
23164K	OH3164	3200	540	176	M 24	590	16	135	4	180	580
23168K	OH3168	3600	580	190	M 24	630	16	160	4	200	640
23268K	OH3268	4450	620	224	M 24	680	16	210	5	200	650
23272K	OH3272	4850	650	232	M 24	890	16	190	5	225	890
23176K	OH3176	3900	620	194	M 24	700	16	170	5	200	720
23276K	OH3276	5200	680	240	M 30	730	16	220	5	200	910

Introduction

Mounted Ball Bearings

SRE / SR2 Spherical Bearings

SAF / Plummer Blocks

Brg. Accessories, Radial Ball, & EICH Bearings

Rod Ends & Spherical Plain Bearings

Roller Chain & Sprockets

Bushings & Hubs

Gears & Racks

Belt Drives / Couplings

Linear Motion / WINKEL

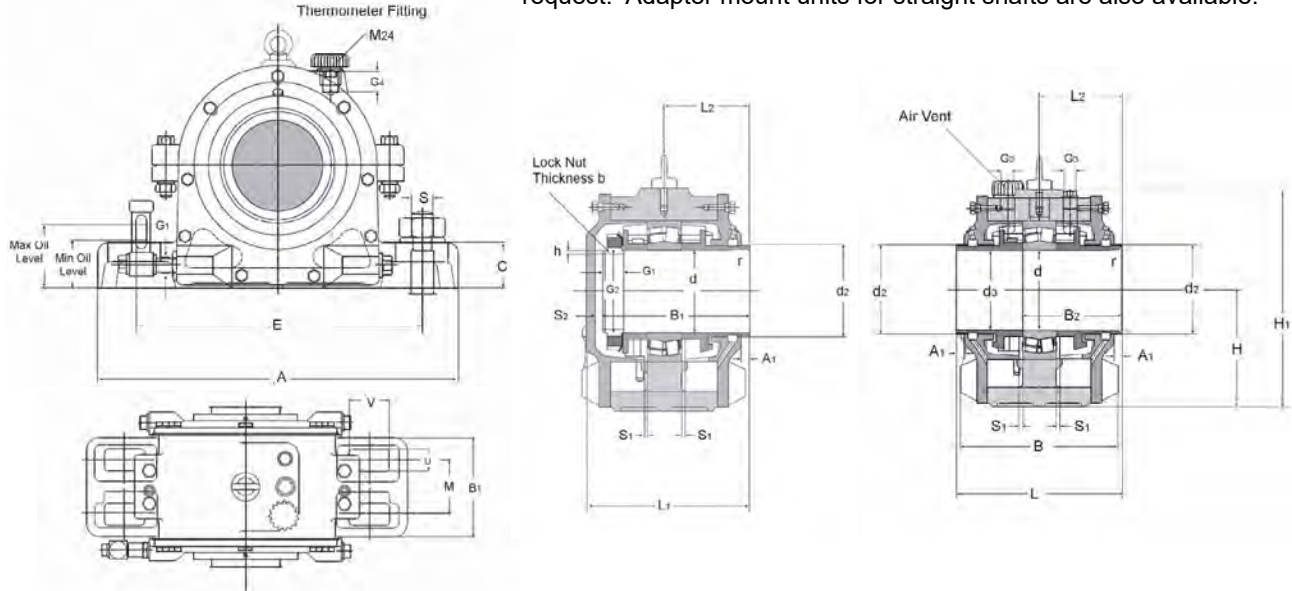
# Plummer Block Housings



## HFO 200 Series - Oil Lubrication



The HFO/HFOE housings are suitable for high speeds and / or temperatures. These housings include Oil Splash Rings for assisting lubrication of the bearing in high speed applications, such as fans. Housings are Cast Iron. Ductile housings are also available on request. Labyrinth seals are standard and housing can be supplied with open or closed ends. Air vents and oil level gauges are included with each housing. Circulating oil provisions can also be included on request. Adapter mount units for straight shafts are also available.



Part No.	d	A	B	B <sub>1</sub>	B <sub>2</sub>	C	d <sub>2</sub>	d <sub>3</sub>	E	H	H <sub>1</sub>	L	L <sub>1</sub>	M	S	S <sub>1</sub>	U	V	Hsg Wt. kg
HFO 217	85	330	182	110	105	35	96	83	260	125	230	180	165	60	M20	5	24	40	33
HFO 218	90	360	190	120	112	45	100	88	290	135	245	190	170	70	M20	5	24	40	42
HFO 219	95	360	210	120	118	40	105	93	290	140	255	200	184	80	M20	5	24	40	45
HFO 220	100	400	205	130	123	50	110	98	320	145	270	206	186	75	M24	5	28	45	55
HFO 222	110	420	216	145	138	50	120	108	347	160	290	229	203	75	M24	5	28	45	70
HFO 224	120	420	245	170	164	55	135	118	347	170	315	276	240	90	M24	8	28	45	95
HFO 226	130	450	260	180	164	60	145	128	377	180	335	270	240	100	M24	8	28	45	100
HFO 228	140	500	265	180	170	65	160	138	415	190	355	280	250	100	M30	8	35	45	125
HFO 230	150	540	265	190	173	65	170	148	450	200	375	280	250	115	M30	8	35	50	140
HFO 232	160	560	280	205	193	65	178	158	470	215	405	316	280	120	M30	10	35	50	165

Part No.	Part Code	A1	G1	G3	GA	G4	h	L2	r	Bearing Part No.	Basic Dynamic Load Rating C kN	Locknut Part No.	Lock-washer Part No.	Oil Quantity in Liters
HFO 217	GOS 217	7.5	R 1/2	R 3/8	M85 x 2	27	4	90	1.6	22217	210	KM 17	MB 17	0.7
HFO 218	GOS 218	10		R 3/8	M90 x 2	27	4	95	1.6	22218	250	KM 18	MB 18	0.8
HFO 219	GOS 219	8		R 3/8	M95 x 2	27	4	100	1.6	22219	280	KM 19	MB 19	0.9
HFO 220	GOS 220	10		R 1/2	M100 x 2	27	4	103	1.6	22220	310	KM 20	MB 20	1.0
HFO 222	GOS 222	13		R 1/2	M110 x 2	27	5	114.5	1.6	22222	405	KM 22	MB 22	1.5
HFO 224	GOS 224	18		R 1/2	M120 x 2	27	6	138	1.6	22224	465	KM 24	MB 24	1.9
HFO 226	GOS 226	15		R 1/2	M130 x 2	32	6	135	2.5	22226	545	KM 26	MB 26	2.5
HFO 228	GOS 228	15		R 3/4	M140 x 2	33	6	140	2.5	22228	605	KM 28	MB 28	2.7
HFO 230	GOS 230	15		R 3/4	M150 x 2	44	6	140	2.5	22230	730	KM 30	MB 30	3.0
HFO 232	GOS 232	18		R 3/4	M160 x 3	38	7	158	2.5	22232	860	KM 32	MB 32	3.3

Dimensions in mm

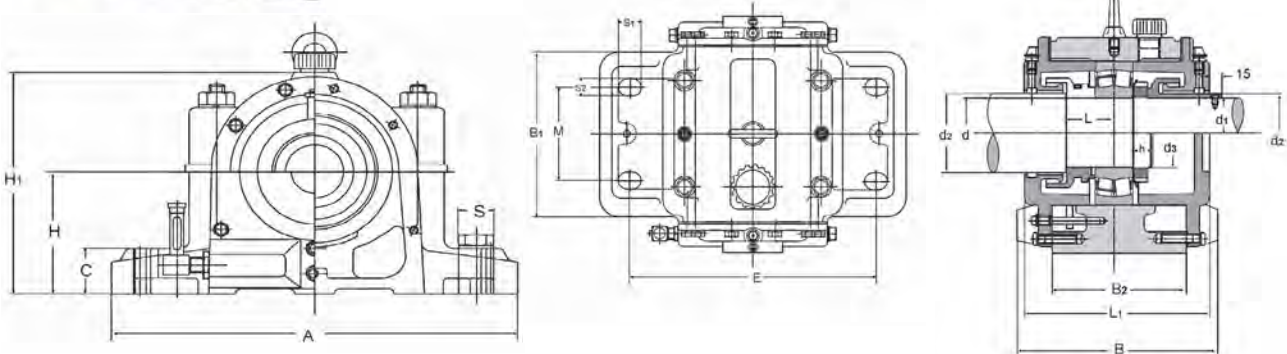
# Plummer Block Housings



## HFOE 200 Series - Oil Lubrication



The HFO/HFOE housings are suitable for high speeds and/or high temperatures. These housings include Oil Splash Rings for assisting lubrication of the bearing in high speed applications such as fans. Housings are Cast Iron. Ductile housings are also available on request. Labyrinth seals are standard and housings can be supplied with open or closed ends. Air vents and oil level gauges are included with each housing. Circulating oil provisions can also be included on request. Adapter mount units for straight shafts are also available.



Part No.	d	A	B	B <sub>1</sub>	B <sub>2</sub>	C	d <sub>1</sub>	d <sub>2</sub>	d <sub>3</sub>	E	G	H	H <sub>1</sub>	L	L <sub>1</sub>	M	S	S <sub>1</sub>	S <sub>2</sub>	Hsg Wt. kg
HFOE 217	85	410	225	150	160	48	82	90	M 85x2	340	235	135	250	61.5	19	80	M 20	25	35	45
HFOE 218	90	410	225	150	160	48	87	95	M 90x2	340	235	135	250	61	20	80	M 20	25	35	50
HFOE 219	95	490	250	160	170	50	92	100	M 92x2	400	260	150	275	67	20	80	M 24	30	45	62
HFOE 220	100	490	250	160	170	50	97	110	M 100x2	400	265	150	280	60	22	80	M 24	30	45	68
HFOE 222	110	510	250	165	175	50	107	116	M 110x2	420	265	165	305	70	22	80	M 24	30	45	75
HFOE 224	120	550	250	165	175	55	117	126	M 120x2	440	265	175	325	72	23	80	M 30	36	50	80
HFOE 226	130	570	260	175	185	65	127	136	M 130x2	460	275	190	350	77	24	90	M 30	36	50	90
HFOE 228	140	570	260	175	180	65	137	150	M 140x2	460	275	190	365	73	24	100	M 30	36	50	100
HFOE 230	150	660	275	190	200	70	147	156	M 150x2	530	290	220	400	82	27	100	M 36	42	60	120
HFOE 232	160	660	290	200	210	70	155	170	M 160x3	530	305	220	410	80	30	110	M 36	42	60	135
HFOE 234	170	710	300	200	210	85	165	176	M 170x3	580	315	260	465	90	30	110	M 36	42	60	160
HFOE 236	180	710	300	200	210	85	175	190	M 180x3	580	315	260	465	90	32	110	M 36	42	60	165
HFOE 238	190	820	350	240	250	90	185	196	M 190x3	670	365	270	485	95	32	130	M 42	48	70	240
HFOE 240	200	830	360	240	260	90	195	210	M 200x3	670	375	280	510	100	34	130	M 42	48	70	250
HFOE 244	220	880	380	240	280	105	212	230	Tr220x4	720	395	310	565	108	36	130	M 42	48	70	310

Size Part No.	Part Code	Bearing Part No.	Basic Dynamic Load Rating C kN	Locknut Part No.	Lockwasher Part No.	Oil Quantity in Liters
HFOE 217	GOF 217	22217	210	KM 17	MB 17	1.2
HFOE 218	GOF 218	22218	250	KM 18	MB 18	1.3
HFOE 219	GOF 219	22219	280	KM 19	MB 19	1.4
HFOE 220	GOF 220	22220	310	KM 20	MB 20	1.5
HFOE 222	GOF 222	22222	405	KM 22	MB 22	1.9
HFOE 224	GOF 224	22224	465	KM 24	MB 24	2.1
HFOE 226	GOF 226	22226	545	KM 26	MB 26	2.1
HFOE 228	GOF 228	22228	605	KM 28	MB 28	3.5
HFOE 230	GOF 230	22230	730	KM 30	MB 30	4.0
HFOE 232	GOF 232	22232	860	KM 32	MB 32	4.0
HFOE 234	GOF 234	22234	975	KM 34	MB 34	5.7
HFOE 236	GOF 236	22236	1000	KM 36	MB 36	5.7
HFOE 238	GOF 238	22238	1100	KM 38	MB 38	7.0
HFOE 240	GOF 240	22240	1250	KM 40	MB 40	8.0
HFOE 244	GOF 244	22244	1500	KM 44	MB 44	10.0

Dimensions in mm

# Double Bearing Housings

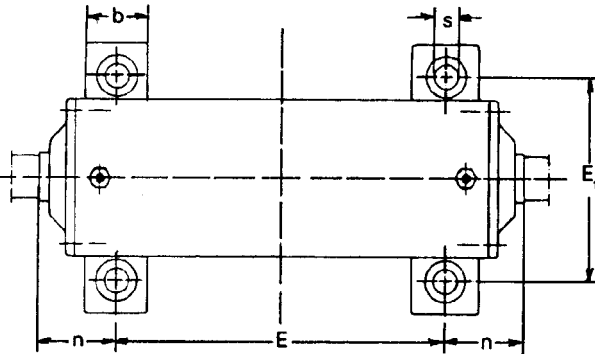
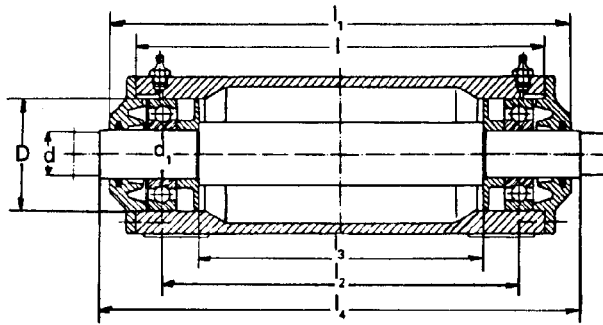
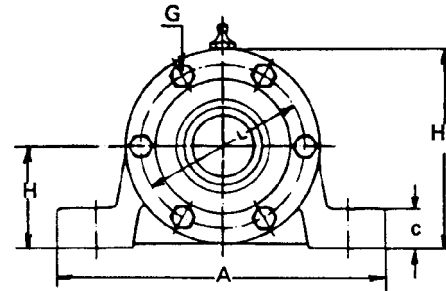


## PDFN Series

### Grease Lube for Fan Applications

PDFN units are an alternative to pillow block housings for high speed fan applications. Alignment error is virtually eliminated. Deep groove ball bearings allow high speed operation. Maintenance is simplified as excess grease will be centrifuged into the middle housing area.

Housings normally supplied without bearings and shaft. If shaft and bearings are desired, specify shaft length and note bearings when ordering. Shaft can be supplied to suit need.



Part No.	d	d <sub>1</sub>	H	H <sub>1</sub>	l	l <sub>1</sub>	l <sub>2</sub>	l <sub>3</sub>	l <sub>4</sub>	A	b	c	E	E <sub>1</sub>	n	s	D	L	G	Bearing Part No.
PDFN306	24	30	50	100	210	226	171.5	140.0	240	160	40	18	150	130	45.0	15	72	84	4 x M 6	6306C3
PDFN307	28	35	60	116	239	260	195.5	160.0	275	190	45	18	175	150	49.5	15	80	95	4 x M 6	6307C3
PDFN308	32	40	60	121	298	315	255.5	214.0	331	190	52	20	225	150	53.0	15	90	104	4 x M 6	6308C3
PDFN309	38	45	70	137	340	360	279.5	236.0	376	210	52	22	250	170	63.0	15	100	115	4 x M 6	6309C3
PDFN310	42	50	70	142	360	377	311.5	266.0	393	210	60	25	275	170	59.0	15	110	125	6 x M 6	6310C3
PDFN311	48	55	80	158	400	422	335.5	288.0	438	260	60	25	300	210	69.0	19	120	136	4 x M 8	6311C3
PDFN312	48	60	80	165	437	460	383.5	334.0	476	260	70	25	340	210	68.0	19	130	148	6 x M 8	6312C3
PDFN313	55	65	95	185	470	492	402.5	349.0	508	280	70	25	360	230	74.0	19	140	158	6 x M 8	6313C3
PDFN314	60	70	95	190	490	512	420.5	365.0	532	290	70	25	380	230	76.0	19	150	168	6 x M 8	6314C3
PDFN315	65	75	100	200	508	547	448.5	389.0	567	320	80	30	400	260	83.5	19	160	176	6 x M 8	6315C3
PDFN316	70	80	112	220	525	556	466.5	405.0	576	320	80	30	420	260	78.0	19	170	190	6 x M 10	6316C3
PDFN317	75	85	112	225	559	590	486.0	422.5	610	350	80	30	440	290	85.0	19	180	200	6 x M 10	6317C3
PDFN318	80	90	112	230	575	605	510.0	446.5	625	350	85	30	460	290	82.5	19	190	210	6 x M 10	6318C3
PDFN319	85	95	125	253	605	648	540.0	470.5	668	400	90	36	480	320	94.0	24	200	220	6 x M 10	6319C3

Dimensions in mm.



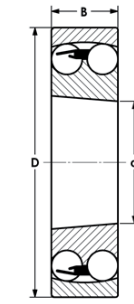
# Self-Aligning Ball Bearings



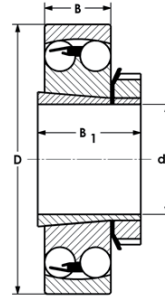
## Tapered & Straight Bores 1200 & 1300 Series



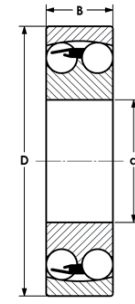
Models Available



Tapered Bore



Tapered Bore Adapter Mounted



Straight Bore

### 1200 Series (Taper Bores use H200 SNW Series Adapters)

Straight Bore Bearing Part No. *	Taper Bore Bearing Part No. *	Dimensions (mm)							Basic Load Ratings in kN		Max. rpm		Weight kg	
		d	D	B	r	d <sub>1</sub> *		B <sub>1</sub>	C	C <sub>0</sub>	Grease	Oil	Bearing	Sleeve
						mm	in							
1205	1205K	25	52	15	1.0	20	5/8, 3/4	26	12.2	3.35	13000	16000	0.1	0.1
1206	1206K	30	62	16	1.0	25	7/8, 1	27	15.6	4.65	11000	14000	0.2	0.1
1207	1207K	35	72	17	1.1	30	1-1/8, 1-3/16	29	16.0	5.20	9500	12000	0.3	0.1
1208	1208K	40	80	18	1.1	35	1-1/4, 1-3/8	31	19.3	6.55	8500	10000	0.4	0.2
1209	1209K	45	85	19	1.1	40	1-1/2	33	22.0	7.35	7500	9000	0.5	0.2
1210	1210K	50	90	20	1.1	45	1-11/16, 1-3/4	35	22.8	8.15	7000	8500	0.5	0.3
1211	1211K	55	100	21	1.5	50	1-15/16, 2	37	27.0	10.0	6300	7500	0.7	0.3
1212	1212K	60	110	22	1.5	55	2-1/8, 2-3/16	38	30.0	11.6	5600	6700	0.9	0.3
1213	1213K	65	120	23	1.5	60	2-1/4	40	31.0	12.5	5300	6300	1.2	0.4
1214	1214K	70	125	24	1.5	—	—	—	34.5	13.7	5000	6000	1.3	—
1215	1215K	75	130	25	1.5	65	2-7/16, 2-1/2	43	39.0	15.6	4800	5600	1.4	0.7
1216	1216K	80	140	26	2.0	70	2-11/16, 2-3/4	46	40.0	17.0	4300	5000	1.7	0.9
1217	1217K	85	150	28	2.0	75	2-15/16, 3	50	49.0	20.4	4000	4800	2.1	1.0
1218	1218K	90	160	30	2.0	80	3-3/16, 3-1/4	52	57.0	23.6	3800	4500	2.6	1.2
1219	1219K	95	170	32	2.1	85	3-3/8	55	64.0	27.0	3400	4000	3.2	1.4
1220	1220K	100	180	34	2.1	90	3-7/16, 3-1/2	58	69.5	30.0	3200	3800	3.8	1.5
1222	1222K	110	200	38	2.1	100	3-15/16, 4	63	88.0	38.0	2800	3400	5.2	1.9

### 1300 Series (for Taper Bores use H300 or SNW Series Adapters)

1305	1305K	25	62	17	1.1	20	5/8, 3/4	29	18.0	5.0	11000	14000	0.3	0.1
1306	1306K	30	72	19	1.1	25	7/8, 1	31	21.2	6.3	9000	11000	0.4	0.1
1307	1307K	35	80	21	1.5	30	1-1/8, 1-3/16	35	25.0	8.0	8000	9500	0.5	0.1
1308	1308K	40	90	23	1.5	35	1-1/4	36	29.0	9.6	7000	8500	0.7	0.2
1309	1309K	45	100	25	1.5	40	1-1/2	39	38.0	12.9	6300	7500	1.0	0.2
1310	1310K	50	110	27	2.0	45	1-11/16, 1-3/4	42	41.5	14.3	5600	6700	1.3	0.3
1311	1311K	55	120	29	2.0	50	1-15/16, 2	45	51.0	18.0	5000	6000	1.6	0.3
1312	1312K	60	130	31	2.1	55	2-1/8, 2-3/8	47	57.0	20.8	4500	5300	2.0	0.4
1313	1313K	65	140	33	2.1	60	2-1/4	50	62.0	22.8	4300	5000	2.5	0.5
1314	—	70	150	35	2.1	—	—	—	75.0	27.5	4000	4800	3.1	—
1315	1315K	75	160	37	2.1	65	2-7/16, 2-1/2	55	80.0	30.0	3600	4300	3.7	0.8
1316	1316K	80	170	39	2.1	70	2-11/16, 2-3/4	59	88.0	32.5	3400	4000	4.3	1.0
1317	1317K	85	180	41	3.0	75	2-15/16, 3	63	98.0	38.0	3200	3800	5.1	1.2
1318	1318K	90	190	43	3.0	80	3-3/16, 3-1/4	65	108.0	43.0	3000	3600	6.0	1.4

\*Note: Part No. Suffix C3W33 (C3 = Internal Clearance, W33 = Lube Groove) will be provided unless otherwise specified.  
K = Taper Bore, without K = straight bore. For Taper Bore (K) bearings, use the H200 Series adapters.

# Self-Aligning Ball Bearings

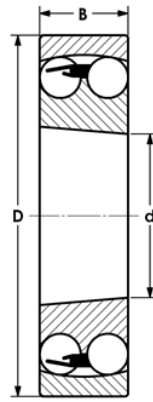


## 2200 & 2300 Series

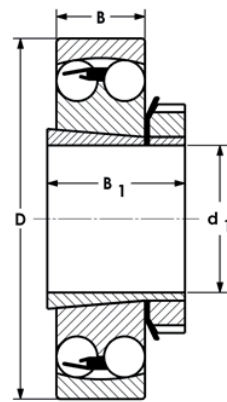
### Tapered & Straight Bores



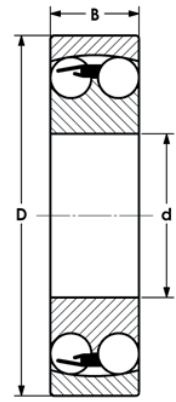
Models Available



Tapered Bore



Tapered Bore Adapter Mounted



Straight Bore

### 2200 Series (Taper Bores use H300 or SNW Series Adapters)

Straight Bore Bearing Part No. *	Taper Bore Bearing Part No. *	Dimensions (mm)							Basic Load Ratings in kN		Max. rpm		Weight kg	
		d	D	B	r	d <sub>1</sub> *		B <sub>1</sub>	Dynamic	Static	Grease	Oil	Bearing	Sleeve
						mm	in		C	C <sub>0</sub>				
2205	2205K	25	52	18	1.0	20	5/8, 3/4	29	17.0	4.4	12000	15000	0.2	0.1
2206	2206K	30	62	20	1.0	25	7/8, 1	31	25.5	6.9	9500	12000	0.3	0.1
2207	2207K	35	72	23	1.1	30	1-1/8, 1-3/16	35	32.0	9.0	8000	9500	0.4	0.1
2208	2208K	40	80	23	1.1	35	1-1/4	36	31.5	9.5	7500	9000	0.5	0.2
2209	2209K	45	85	23	1.1	40	1-1/2	39	28.0	9.0	7000	8500	0.5	0.2
2210	2210K	50	90	23	1.1	45	1-11/16, 1-3/4	42	28.0	9.5	6700	8000	0.6	0.3
2211	2211K	55	100	25	1.5	50	1-15/16, 2	45	39.0	12.7	5600	6700	0.8	0.3
2212	2212K	60	110	28	1.5	55	2-1/8, 2-3/8	47	47.5	16.6	5300	6300	1.1	0.4
2213	2213K	65	120	31	1.5	60	2-1/4	50	57.0	19.3	4500	5300	1.4	0.5
2214	—	70	125	31	1.5	—	—	—	44.0	17.0	4800	5600	1.6	—
2215	2215K	75	130	31	1.5	65	2-7/16, 2-1/2	55	44.0	18.0	4500	5300	1.7	0.9
2216	2216K	80	140	33	2.0	70	2-11/16, 2-3/4	59	51.0	21.2	4300	5000	2.1	1.0
2217	2217K	85	150	36	2.0	75	2-15/16, 3	63	58.5	23.6	4000	4800	2.6	1.2
2218	2218K	90	160	40	2.0	80	3-3/16, 3-1/4	65	71.0	28.5	3600	4300	3.3	1.4
2220	2220K	100	180	46	2.1	90	—	71	98.0	40.5	3200	3800	5.2	1.7
2222	2222K	110	200	53	2.1	100	—	77	124.0	52.0	2800	3400	7.1	2.2

### 2300 Series (Taper Bores use H2300 or SNW Series Adapters)

2305	2305K	25	62	24	1.1	20	5/8, 3/4	35	24.5	6.5	10000	13000	0.4	0.1
2306	2306K	30	72	27	1.1	25	7/8, 1	38	31.5	8.6	8500	10000	0.6	0.1
2307	2307K	35	80	31	1.5	30	1-1/8, 1-3/16	43	39.0	11.2	7500	9000	0.7	0.2
2308	2308K	40	90	33	1.5	35	1-1/4	46	45.0	13.4	6700	8000	1.0	0.2
2309	2309K	45	100	36	1.5	40	1-1/2	50	54.0	16.3	6000	7000	1.3	0.3
2310	2310K	50	110	40	2.0	45	1-11/16, 1-3/4	55	64.0	20.0	5300	6300	1.8	0.4
2311	2311K	55	120	43	2.0	50	1-15/16, 2	59	75.0	23.6	4800	5600	2.3	0.4
2312	2312K	60	130	46	2.1	55	2-1/8, 2-3/8	62	86.5	28.0	4300	5000	2.8	0.5
2313	2313K	65	140	48	2.1	60	2-1/4	65	95.0	32.5	4000	4800	3.4	0.6
2314	—	70	150	51	2.1	—	—	—	110.0	37.5	3600	4300	4.2	—
2315	2315K	75	160	55	2.1	65	2-7/16, 2-1/2	73	122.0	42.5	3400	4000	5.2	1.1
2316	2316K	80	170	58	2.1	70	2-11/16, 2-3/4	78	137.0	48.0	3200	3800	6.4	1.3
2317	2317K	85	180	60	3.0	75	2-15/16, 3	82	140.0	51.0	3000	3600	7.5	1.5
2318	2318K	90	190	64	3.0	80	3-3/16, 3-1/4	86	153.0	57.0	2800	3400	8.9	1.7

\*Note: Part No. Suffix C3W33 (C3 = Internal Clearance, W33 = Lube Groove) will be provided unless otherwise specified.

K = Taper Bore, without K = straight bore. For Taper Bore (K) bearings, use the H300 or H2300 Series adapters.

# Spherical Roller Bearings

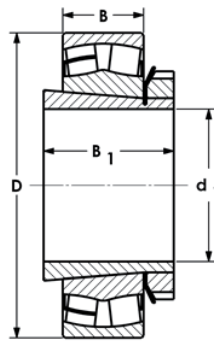


## 222 Series

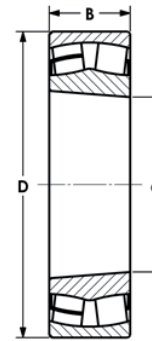
### Tapered & Straight Bores



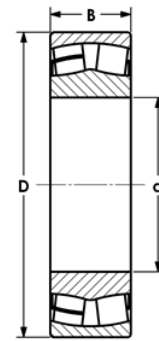
Models Available



Tapered Bore  
Adapter Mounted



Tapered Bore



Straight Bore

### 222 Series (Taper Bores use H300, H3100 or SNW Series Adapters)

Taper Bore Bearing Part No. *	Straight Bore Bearing Part No. *	Dimensions (mm)							Basic Load Ratings in kN		Max. rpm		Weight kg	
		d	D	B	r	d <sub>1</sub> *		B <sub>1</sub>	Dynamic	Static	Grease	Oil	Bearing	Sleeve
						mm	in		C	C <sub>0</sub>				
22205K	22205	25	52	18	1.0	20	3/4	29	35	35	9000	12000	0.2	0.1
22206K	22206	30	62	20	1.0	25	15/16, 1	31	48	52	7500	9500	0.2	0.1
22207K	22207	35	72	23	1.1	30	1-3/16	35	67	73	6300	8000	0.4	0.1
22208K	22208	40	80	23	1.1	35	—	36	73	81	6000	7500	0.5	0.2
22209K	22209	45	85	23	1.1	40	1-7/16, 1-1/2	39	77	88	5600	7000	0.5	0.2
22210K	22210	50	90	23	1.1	45	1-11/16, 1-3/4	42	84	100	5300	6700	0.6	0.3
22211K	22211	55	100	25	1.5	50	1-15/16, 2	45	115	137	4500	5600	0.8	0.3
22212K	22212	60	110	28	1.5	55	—	47	122	146	4000	5000	1.1	0.4
22213K	22213	65	120	31	1.5	60	2-3/16, 2-1/4	50	148	183	3600	4500	1.4	0.5
22214K	22214	70	125	31	1.5	60	—	52	148	185	3600	4500	1.5	0.7
22215K	22215	75	130	31	1.5	65	2-7/16, 2-1/2	55	156	205	3400	4300	1.6	0.9
22216K	22216	80	140	33	2.0	70	2-11/16, 2-3/4	59	175	225	3200	4000	2.0	1.0
22217K	22217	85	150	36	2.0	75	2-15/16, 3	63	210	270	3000	3800	2.5	1.2
22218K	22218	90	160	40	2.0	80	3-3/16, 3-1/4	65	250	340	2600	3400	3.2	1.4
22219K	22219	95	170	43	2.1	85	—	68	280	370	2400	3200	3.9	1.6
22220K	22220	100	180	46	2.1	90	3-7/16, 3-1/2	71	310	410	2200	3000	4.7	1.7
22222K	22222	110	200	53	2.1	100	3-15/16, 4	77	405	550	2000	2800	6.7	2.2
22224K	22224	120	215	58	2.1	110	4-3/16, 4-1/4	88	465	665	1800	2400	8.4	2.7
22226K	22226	130	230	64	3.0	115	4-7/16, 4-1/2	92	545	800	1700	2200	10.5	3.7
22228K	22228	140	250	68	3.0	125	4-15/16, 5	97	605	900	1600	2000	13.4	4.4
22230K	22230	150	270	73	3.0	135	5-3/16, 5-1/4	111	730	1075	1500	1900	16.9	5.5
22232K	22232	160	290	80	3.0	140	5-7/16, 5-1/2	119	860	1285	1400	1800	21.7	7.7
22234K	22234	170	310	86	4.0	150	5-15/16, 6	122	975	1450	1300	1700	28.5	8.4
22236K	22236	180	320	86	4.0	160	6-7/16, 6-1/2	131	1000	1550	1300	1700	29.5	9.5
22238K	22238	190	340	92	4.0	170	6-15/16, 7	141	1100	1700	1200	1600	36.5	11.0
22240K	22240	200	360	98	4.0	180	7-3/16	150	1250	1900	1100	1500	43.5	12.0
22244K	22244	220	400	108	4.0	200	7-15/16, 8	161	1500	2300	950	1300	60.0	14.7

\*Note: Part No. Suffix C3W33 (C3 = Internal Clearance, W33 = Lube Groove) will be provided unless otherwise specified.

K = Taper Bore, without K = straight bore. For Taper Bore (K) bearings, use the H300 or H3100 Series adapters or SNW.

# Spherical Roller Bearings

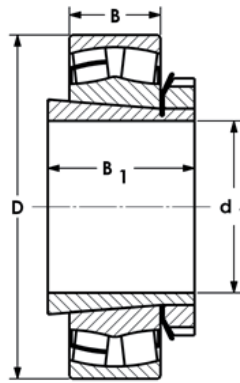
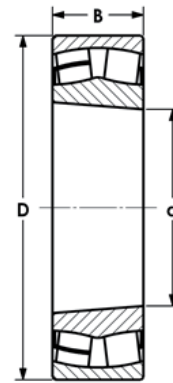


## 223 Series

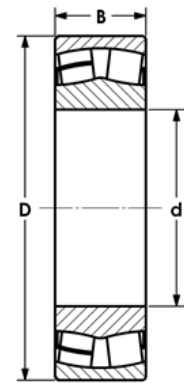
### Tapered & Straight Bores



Models Available

Tapered Bore  
Adapter Mounted

Tapered Bore



Straight Bore

### 223 Series (Taper Bores use H2300 or SNW Series Adapters)

Taper Bore Bearing Part No. *	Straight Bore Bearing Part No. *	Dimensions (mm)							Basic Load Ratings in kN		Max. rpm		Weight kg	
		d	D	B	r	d <sub>1</sub> *		B <sub>1</sub>	C	C <sub>0</sub>	Grease	Oil	Bearing	Sleeve
						mm	in							
22308K	22308	40	90	33	1.5	35	1-1/4, 1-3/8	46	112	120	4500	5600	1.0	0.2
22309K	22309	45	100	36	1.5	40	1-1/2	50	135	155	3800	4800	1.4	0.3
22310K	22310	50	110	40	2	45	1-11/16, 1-3/4	55	175	200	3400	4300	1.9	0.4
22311K	22311	55	120	43	2	50	1-15/16, 2	59	195	230	3200	4000	2.4	0.4
22312K	22312	60	130	46	2.1	55	2-1/8, 2-3/16	62	230	280	3000	3800	3.0	0.5
22313K	22313	65	140	48	2.1	60	2-1/4	65	250	300	2600	3400	3.6	0.6
22314K	22314	70	150	51	2.1	60	—	86	310	380	2400	3200	4.3	0.9
22315K	22315	75	160	55	2.1	65	2-7/16, 2-1/2	73	340	430	2200	3000	5.3	1.1
22316K	22316	80	170	58	2.1	70	2-11/16, 2-3/4	78	370	450	2000	2800	6.2	1.3
22317K	22317	85	180	60	3	75	2-15/16, 3	82	420	515	1900	2600	7.3	1.5
22318K	22318	90	190	64	3	80	3-3/16, 3-1/4	86	475	600	1800	2400	8.6	1.7
22319K	22319	95	200	67	3	85	3-3/8	90	515	670	1800	2400	10.0	1.9
22320K	22320	100	215	73	3	90	3-7/16, 3-1/2	97	600	800	1700	2200	13.0	2.2
22322K	22322	110	240	80	3	100	3-15/16, 4	105	720	960	1600	2000	18.0	2.8
22324K	22324	120	260	86	3	110	4-3/16	112	840	1110	1400	1800	22.0	3.2
22326K	22326	130	280	93	4	115	4-7/16, 4-1/2	121	970	1300	1300	1700	28.5	4.6
22328K	22328	140	300	102	4	125	4-15/16, 5	131	1120	1550	1100	1500	34.5	5.5
22330K	22330	150	320	108	4	135	5-3/16	139	1250	1750	1000	1400	41.5	6.6
22332K	22332	160	340	114	4	140	5-7/16, 5-1/2	147	1375	1950	950	1300	50.0	9.2
22334K	22334	170	360	120	4	150	5-15/16, 6	157	1540	2150	950	1300	58.5	10.0
22336K	22336	180	380	126	4	160	6-7/16, 6-1/2	161	1725	2440	900	1200	69.0	11.0
22338K	22338	190	400	132	5	170	6-15/16, 7	169	1860	2640	850	1100	83.0	12.5
22340K	22340	200	420	138	5	180	7-3/16	176	2010	2900	850	1100	92.5	14.0

\*Note: Part No. Suffix C3W33 (C3 = Internal Clearance, W33 = Lube Groove) will be provided unless otherwise specified.  
K = Taper Bore, without K = straight bore. For Taper Bore (K) bearings, use the H2300 Series adapters.

# Spherical Roller Bearings

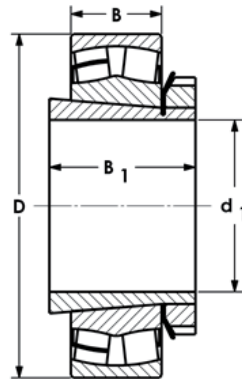


## 230 Series

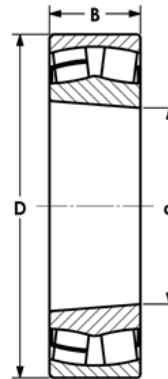
### Tapered & Straight Bores



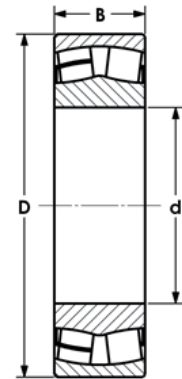
Models Available



Tapered Bore  
Adapter Mounted



Tapered Bore



Straight Bore

### 230 Series (Taper Bores use H3000 or SNW Series Adapters)

Taper Bore Bearing Part No. *	Straight Bore Bearing Part No. *	Dimensions (mm)						Basic Load Ratings in kN		Max. rpm		Weight kg	
		d	D	B	d <sub>1</sub> *		B <sub>1</sub>	C	C <sub>0</sub>	Grease	Oil	Bearing	Sleeve
					mm	in							
23024K	23024	120	180	46	110	4-3/16, 4-1/4	72	300	500	2000	2800	3.9	2.0
23026K	23026	130	200	52	115	4-7/16, 4-1/2	80	370	600	1900	2600	5.6	2.9
23028K	23028	140	210	53	125	4-15/16, 5	82	395	675	1800	2400	6.0	3.2
23030K	23030	150	225	56	135	5-3/16, 5-1/4	87	435	745	1700	2200	7.3	3.9
23032K	23032	160	240	60	140	5-7/16, 5-1/2	93	500	870	1700	2200	8.9	5.2
23034K	23034	170	260	67	150	5-15/16, 6	101	620	1050	1600	2000	12.1	6.0
23036K	23036	180	280	74	160	6-7/16, 6-1/2	109	720	1240	1400	1800	15.8	6.9
23038K	23038	190	290	75	170	6-15/16, 7	112	750	1340	1300	1700	16.8	7.5
23040K	23040	200	310	82	180	7-3/16	120	875	1525	1200	1600	21.5	9.2
23044K	23044	220	340	90	200	7-15/16, 8	126	1040	1850	1100	1400	31.0	10.5
23048K	23048	240	360	92	220	8-7/16, 9	133	1125	2075	1000	1300	33.9	13.0
23052K	23052	260	400	104	240	9-7/16, 9-1/2	145	1400	2500	800	1100	49.0	16.0
23056K	23056	280	420	106	260	9-15/16, 10-1/2	152	1500	2800	800	1000	52.5	17.7
23060K	23060	300	460	118	280	10-15/16, 11	168	1890	3500	720	940	70.0	22.8
23064K	23064	320	480	121	300	11-7/16, 12	171	1960	3850	680	880	77	24.6
23068K	23068	340	520	133	320	12-7/16, 12-1/2	187	2310	4550	630	820	100	28.7
23072K	23072	360	540	134	340	12-15/16, 13-1/2	188	2370	4700	590	770	110	30.5
23076K	23076	380	560	135	360	13-15/16, 14	193	2500	5150	550	720	115	35.8
23080K	23080	400	600	148	380	15	210	2980	6050	520	680	140	41.3
23084K	23084	420	620	150	400	15-3/4	212	3100	6400	490	640	150	43.7
23088K	23088	440	650	157	410	16-1/2	228	3300	6850	470	610	175	65.2
23092K	23092	460	680	163	430	17	234	3600	7450	450	580	200	69.5
23096K	23096	480	700	165	450	18	237	3650	770	420	550	210	73.3

\*Note: Part No. Suffix C3W33 (C3 = Internal Clearance, W33 = Lube Groove) will be provided unless otherwise specified.  
K = Taper Bore, without K = straight bore. For Taper Bore (K) bearings, use the H3000 Series adapters.

# Spherical Roller Bearings

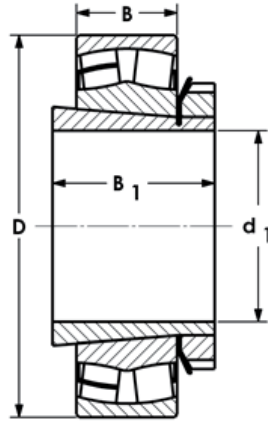
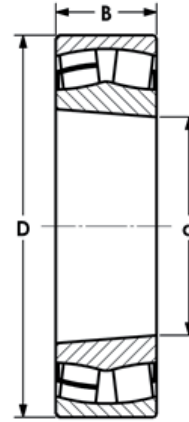


## 231 Series

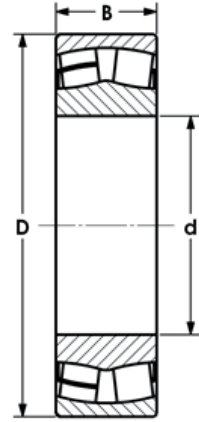
### Tapered & Straight Bores



Models Available

Tapered Bore  
Adapter Mounted

Tapered Bore



Straight Bore

### 231 Series (Taper Bores use H3100 or SNW Series Adapters)

Taper Bore Bearing Part No. *	Straight Bore Bearing Part No. *	Dimensions (mm)						Basic Load Ratings in kN		Max. rpm		Weight kg	
		d	D	B	d <sub>1</sub> *		B <sub>1</sub>	C	C <sub>0</sub>	Grease	Oil	Bearing	Sleeve
					mm	in							
23134K	23134	170	280	88	150	5-15/16, 6	122	890	1490	1200	1600	20.6	8.4
23136K	23136	180	300	96	160	6-7/16, 6-1/2	131	1040	1750	1100	1500	25.9	9.5
23138K	23138	190	320	104	170	6-15/16, 7	141	1200	2050	1000	1400	32.6	11.0
23140K	23140	200	340	112	180	7-3/16	150	1350	2350	900	1200	42.7	12.0
23144K	23144	220	370	120	200	7-15/16, 8	161	1550	2700	850	1100	54.4	15.0
23148K	23148	240	400	128	220	8-7/16, 9	172	1750	3100	800	1050	66.4	18.0
23152K	23152	260	440	144	240	9-7/16, 9-1/2	190	2200	3800	730	800	92.9	22.5
23156K	23156	280	460	146	260	9-15/16, 10-1/2	195	2250	4200	650	700	99.5	25.0
23160K	23160	300	500	160	280	10-15/16, 11	208	2800	5000	600	750	130.0	30.0
23164K	23164	320	540	176	300	11-7/16, 12	226	3200	5900	550	700	171.0	35.0
23168K	23168	340	580	190	320	12-7/16, 12-1/2	254	3600	6600	520	680	210	49.5
23172K	23172	360	600	192	340	12-15/16, 13-1/2	259	3750	7050	490	630	215	54.2
23176K	23176	380	620	194	360	13-15/16, 14	264	3900	7500	450	590	230	61.7
23180K	23180	400	650	200	380	15	272	4200	8050	430	560	265	70.6
23184K	23184	420	700	224	400	15-3/4	304	5200	9950	410	530	350	84.2
23188K	23188	440	720	226	410	16-1/2	307	5200	10000	390	500	355	104.0
23192K	23192	460	760	240	430	17	326	5700	11400	360	470	435	116.0
23196K	23196	480	790	248	450	18	335	6200	12300	350	450	480	133.0

\*Note: Part No. Suffix C3W33 (C3 = Internal Clearance, W33 = Lube Groove) will be provided unless otherwise specified.

K = Taper Bore, without K = straight bore. For Taper Bore (K) bearings, use the H3100 Series adapters.

# Spherical Roller Bearings

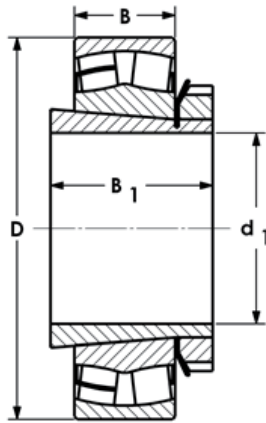


## 232 Series

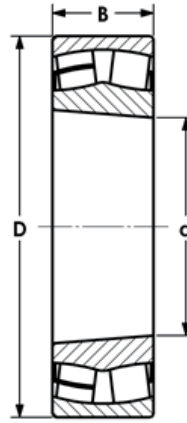
### Tapered & Straight Bores



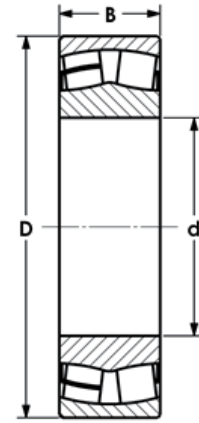
Models Available



Tapered Bore  
Adapter Mounted



Tapered Bore



Straight Bore

### 232 Series (Taper Bores use OH3200 or SNP Series Adapters)

Taper Bore Bearing Part No. *	Straight Bore Bearing Part No. *	Dimensions (mm)						Basic Load Ratings in kN		Max. rpm		Weight kg	
		d	D	B	d <sub>1</sub> *		B <sub>1</sub>	C	C <sub>0</sub>	Grease	Oil	Bearing	Sleeve
					mm	in							
23234K	23234	170	310	110	150	5-15/16, 6	154	1190	1900	900	1200	36	10.2
23236K	23236	180	320	112	160	6-7/16	161	1290	2100	850	1100	37	11.3
23238K	23238	190	340	120	170	6-15/16	169	1440	2350	800	1100	46	12.6
23240K	23240	200	360	128	180	7-3/16	176	1660	2750	750	1000	56	14.0
23244K	23244	220	400	144	200	7-15/16, 8	183	2020	3390	670	900	79	17.0
23248K	23248	240	440	160	220	9	196	2440	4040	630	800	105	20.0
23252K	23252	260	480	174	240	9-7/16, 9-1/2	208	2760	4700	560	750	135	21.0
23256K	23256	280	500	176	260	9-15/16, 10-1/2	221	2930	5150	530	670	145	27.0
23260K	23260	300	540	192	280	10-15/16, 11	240	3450	6000	480	630	190	34.1
23264K	23264	320	580	208	300	11-7/16, 12	258	4000	7050	450	600	240	39.3
23268K	23268	340	620	224	320	12-7/16, 12-1/2	288	4450	8000	400	530	295	54.6
23272K	23272	360	650	232	340	12-15/16, 13-1/2	299	4850	8700	380	500	335	60.6
23276K	23276	380	680	240	360	13-15/16, 14	310	5200	9650	360	480	375	69.6
23280K	23280	400	720	256	380	15	328	5850	10600	340	450	450	75.2
23284K	23284	420	760	272	400	15-3/4	352	6550	12000	320	430	535	94.0
23288K	23288	440	790	280	410	16-1/2	361	6900	12800	300	400	590	118.0
23292K	23292	460	830	296	430	17	382	7750	14500	280	380	690	132.0
23296K	23296	480	870	310	450	18	397	8300	15500	260	360	790	152.0

\*Note: Part No. Suffix C3W33 (C3 = Internal Clearance, W33 = Lube Groove) will be provided unless otherwise specified. K = Taper Bore, without K = straight bore. For Taper Bore (K) bearings, use the OH3200 Series adapters.

# Adapter Interchange



H-Type	SNW Type
H204 x 17MM	H204
H205 x 3/4	HE205
H205 x 20MM	H205
H206 x 1	HE206
H206 x 25MM	H206
H207 x 30MM	H207
H208 x 1-1/4	HE208
H208 x 35MM	H208
H209 x 1-1/2	HE209
H209 x 40MM	H209
H210 x 1-3/4	HE210
H210 x 45MM	H210
H211 x 2	HE211
H211 x 50MM	H211
H212 x 55MM	H212
H213 x 2-1/4	HE213
H213 x 60MM	H213
H215 x 2-1/2	HE215
H215 x 65MM	H215
H216 x 2-3/4	HE216
H216 x 70MM	H216
H217 x 3	HE217
H217 x 75MM	H217
H218 x 3-1/4	HE218
H218 x 80MM	H218
H219 x 85MM	H219
H220 x 3-1/2	HE220
H220 x 90MM	H220
H222 x 4	HE222
H222 x 100MM	H222
H304 x 5/8	HS304
H304 x 17MM	H304
H305 x 1-1/16	HA305
H305 x 3/4	HE305
H305 x 20MM	H305
H306 x 15/16	HA306
H306 x 1	HE306
H306 x 25MM	H306
H307 x 1-1/16	HA307
H307 x 1-1/8	HS307
H307 x 1-3/16	HA307
H307 x 1-1/4	HE307
H307 x 30MM	H307
H308 x 1-1/4	HE308
H308 x 1-5/16	HA208
H308 x 1-3/8	HS308
H308 x 35MM	H308
H309 x 1-3/8	—
H309 x 1-7/16	HA309
H309 x 1-1/2	HE309
H309 x 40MM	H309
H310 x 1-5/8	HS310
H310 x 1-11/16	HA310
H310 x 1-3/4	HE310
H310 x 45MM	H310
H311 x 1-3/4	HE311
H311 x 1-7/8	HS311
H311 x 1-15/16	HA311
H311 x 2	HE311
H311 x 50MM	H311

H-Type	SNW Type
H312 x 2	HE312
H312 x 2-1/16	HA312
H312 x 2-1/8	HS312
H312 x 55MM	H312
H313 x 2	HE313
H313 x 2-1/8	HS313
H313 x 2-3/16	HA313
H313 x 2-1/4	HE313
H313 x 2-5/16	HA313
H313 x 60MM	H313
H314 x 2-5/16	HA314
H314 x 60MM	H314
H315 x 2-3/8	HS315
H315 x 2-7/16	HA315
H315 x 2-1/2	HE315
H315 x 65MM	H315
H316 x 2-11/16	HA316
H316 x 2-3/4	HE316
H316 x 70MM	H316
H317 x 2-15/16	HA317
H317 x 3	HE317
H317 x 75MM	H317
H318 x 3-1/8	HS318
H318 x 3-3/16	HA318
H318 x 3-1/4	HE318
H318 x 80MM	H318
H319 x 3-3/16	HA319
H319 x 3-1/4	HE319
H319 x 3-3/8	HS319
H319 x 85MM	H319
H320 x 3-7/16	HA320
H320 x 3-1/2	HE320
H320 x 90MM	H320
H321 x 3-11/16	HA321
H321 x 3-3/4	HE321
H321 x 95MM	H321
H322 x 3-15/16	HA322
H322 x 4	HE322
H322 x 100MM	H322
H2305 x 3/4	HE2305
H2305 x 20MM	H2305
H2306 x 7/8	—
H2306 x 1-5/16	HA2306
H2306 x 1	HE2306
H2306 x 25MM	H2306
H2307 x 1-1/8	HS2307
H2307 x 1-3/16	HA2307
H2307 x 30MM	H2307
H2308 x 1-1/4	HE2308
H2308 x 1-5/16	HA2308
H2308 x 35MM	H2308
H2309 x 1-7/16	HA2309
H2309 x 1-1/2	HE2309
H2309 x 40MM	HE2309
H2310 x 1-5/8	HS2310
H2310 x 1-11/16	HA2310
H2310 x 1-3/4	HE2310
H2310 x 45MM	H2310
H2311 x 1-7/8	HS2311
H2311 x 1-15/16	HA2311

H-Type	SNW Type
H2311 x 2	HE2311
H2311 x 50MM	H2311
H2312 x 2-1/8	HS2312
H2312 x 55MM	H2312
H2313 x 2-3/16	HA2313
H2313 x 2-1/4	HE2313
H2313 x 2-3/8	HS2313
H2313 x 60MM	H2313
H2314 x 60MM	H2314
H2315 x 2-7/16	HA2315
H2315 x 2-1/2	HE2315
H2315 x 2-5/8	HS2315
H2315 x 65MM	H2315
H2316 x 2-11/16	HA2316
H2316 x 2-3/4	HE2316
H2316 x 70MM	H2316
H2317 x 2-15/16	HA2317
H2317 x 3	HE2317
H2317 x 75MM	H2317
H2318 x 3-1/8	HS2318
H2318 x 3-3/16	HA2318
H2318 x 3-1/4	HE2318
H2318 x 80MM	H2318
H2319 x 3-1/4	HE2319
H2319 x 85MM	H2319
H2320 x 3-7/16	HA2320
H2320 x 3-1/2	HE2320
H2320 x 90MM	H2320
H2321 x 95MM	H2321
H2322 x 3-15/16	HA2322
H2322 x 4	HE2322
H2322 x 100MM	H2322
H2324 x 4-3/16	HA2324
H2324 x 4-1/4	HE2324
H2324 x 110MM	H2324
H2326 x 4-7/16	HA2326
H2326 x 4-1/2	HE2326
H2326 x 115MM	H2326
H2328 x 4-15/16	HA2328
H2328 x 5	HE2328
H2328 x 125MM	H2328
H2330 x 5-3/16	HA2330
H2330 x 5-1/4	HE2330
H2330 x 135MM	H2330
H2332 x 5-7/16	HA2332
H2332 x 5-1/2	HE2332
H2332 x 140MM	H2332
H2334 x 5-15/16	HA2334
H2334 x 6	HE2334
H2334 x 150MM	H2334
H2336 x 6-7/16	HA2336
H2336 x 6-1/2	HE2336
H2336 x 160MM	H2336
H2338 x 6-3/4	HE2338
H2338 x 6-15/16	HA2338
H2338 x 7	—
H2338 x 170MM	H2338
H2340 x 7	HE2340
H2340 x 7-3/16	HA2340
H2340 x 180MM	H2340



# Adapter Interchange



H-Type	SNW, SNP Type
H2344 x 7-15/16	—
H2344 x 200MM	H2344
H2348 x 8-15/16	—
H2348 x 220MM	H2348
H2352 x 9-7/16	—
H2352 x 240MM	H2352
H2356 x 260MM	H2356
H3024 x 4-3/16	HA3224 x 4-3/16
H3024 x 4-1/4	HE3024 x 4-1/4
H3024 x 110MM	H3024
H3026 x 4-7/16	HA3026 x 4-7/16
H3026 x 4-1/2	HE3026 x 4-1/2
H3026 x 115MM	H3026
H3028 x 4-15/16	HA3028 x 4-15/16
H3028 x 5	HE3028 x 5
H3028 x 125MM	H3028
H3030 x 5-3/16	HA3030 x 5-3/16
H3030 x 5-1/4	HE3030 x 5-1/4
H3030 x 135MM	H3030
H3032 x 5-7/16	HA3032 x 5-7/16
H3032 x 5-1/2	HE3032 x 5-1/2
H3032 x 140MM	H3032
H3034 x 5-15/16	HA3034 x 5-15/16
H3034 x 6	HE3034 x 6
H3034 x 150MM	H3034
H3036 x 6-7/16	HA3036 x 6-7/16
H3036 x 6-1/2	HE3036 x 6-1/2
H3036 x 160MM	H3036
H3038 x 6-15/16	HA3028
H3038 x 170MM	H3038
H3040 x 7-3/16	HA3040 x 7-3/16
H3040 x 180MM	H3040
H3044 x 200MM	H3044
H3044 x 7-15/16	HA3044 x 7-15/16
H3044 x 8	HE3044 x 8
H3048 x 220MM	H3048
H3048 x 8-7/16	HA3048 x 8-7/16
H3048 x 8-1/2	HE3048 x 8-1/2
H3048 x 8-15/16	HA3048 x 8-15/16
H3048 x 9	HE3048 x 9
H3052 x 240MM	H3052
H3052 x 9-7/16	HA3052 x 9-7/16
H3052 x 9-1/2	HE3052 x 9-1/2
H3056 x 260MM	H3056
H3056 x 9-15/16	HA3056 x 9-15/16
H3056 x 10	HE3056 x 10
H3056 x 10-7/16	HA3056 x 10-7/16
H3056 x 10-1/2	HE3056 x 10-1/2
H3060 x 250MM	H3060
H3060 x 10-15/16	HA3060 x 10-15/16
H3060 x 11	HE3060 x 11
H3064 x 300MM	H3064
H3064 x 11-7/16	HA3064 x 11-7/16
H3064 x 11-1/2	HE3064 x 11-1/2
H3064 x 11-15/16	HA3064 x 11-15/16
H3064 x 12	HE3064 x 12
H3068 x 320MM	H3064
H3068 x 12-7/16	HA3068 x 12-7/16
H3068 x 12-1/2	HE3068 x 12-1/2
H3072 x 340MM	H3072
H3072 x 12-15/16	HA3072 x 12-15/16
H3072 x 13	HE3072 x 13
H3072 x 13-7/16	HA3072 x 13-7/16

H-Type	SNW, SNP Type
H3072 x 13-1/2	HE3072 x 13-1/2
H3076 x 360MM	H3076
H3076 x 13-15/16	HA3076 x 13-15/16
H3076 x 14	HE3076 x 14
H3080 x 380MM	H3080
H3080 x 14-15/16	HA3080 x 14-15/16
H3080 x 15	HE3080 x 15
H3084 x 400MM	H3084
H3084 x 15-3/4	HE3084 x 15-3/4
H3088 x 16-1/2	HE3088 x 16-1/2
H3092 x 17	HE3092 x 17
H3096 x 18	HE3096 x 18
H3120 x 3-7/16	HA3120 x 3-7/16
H3120 x 3-1/2	HE3120 x 3-1/2
H3120 x 90MM	H3120
H3122 x 3-11/16	—
H3122 x 3-15/16	HA3122 x 3-15/16
H3122 x 4	HE3122 x 4
H3122 x 100MM	H3122
H3124 x 4-3/16	HA3124 x 4-3/16
H3124 x 4-1/4	HE3124 x 4-1/4
H3124 x 110MM	H3124
H3126 x 4-7/16	HA3126 x 4-7/16
H3126 x 4-1/2	HE3126 x 4-1/2
H3126 x 115MM	H3126
H3128 x 4-15/16	HA3128 x 4-15/16
H3128 x 5	HE3128 x 5
H3128 x 125MM	H3128
H3130 x 5-3/16	HA3130 x 5-3/16
H3130 x 5-1/4	HE3130 x 5-1/4
H3130 x 135MM	H3130
H3132 x 5-7/16	HA3132 x 5-7/16
H3132 x 5-1/2	HE3132 x 5-1/2
H3132 x 140MM	H3132
H3134 x 5-15/16	HA3134 x 5-15/16
H3134 x 6	HE3134 x 6
H3134 x 150MM	H3134
H3136 x 6-7/16	HA3136 x 6-7/16
H3136 x 6-1/2	HE3136
H3136 x 160MM	H3136
H3138 x 6-15/16	HA3138 x 6-15/16
H3138 x 170MM	H3138
H3140 x 7-3/16	HA3140 x 7-3/16
H3140 x 180MM	H3140
H3144 x 7-15/16	HA3144 x 7-15/16
H3144 x 8	HE3144 x 8
H3144 x 200MM	H3144
H3148 x 8-1/2	HE3148 x 8-1/2
H3148 x 220MM	H3148
H3152 x 240MM	H3152
H3152 x 9-7/16	H3152 x 9-7/16
H3152 x 9-1/2	HE3152 x 9-1/2
H3156 x 260MM	H3156
H3156 x 9-15/16	HA3156 x 9-15/16
H3156 x 10	HE3156 x 10
H3156 x 10-7/16	HA3156 x 10-7/16
H3156 x 10-1/2	HE3156 x 10-1/2
H3160 x 280MM	H3160
H3160 x 10-15/16	HA3160 x 10-15/16
H3160 x 11	HE3160 x 11

H-Type	SNW, SNP Type
H3164 x 300MM	H3164
H3164 x 11-7/16	HA3164 x 11-7/16
H3164 x 11-1/2	HE3164 x 11-1/2
H3164 x 11-15/16	H3164 x 11-15/16
H3164 x 12	HE3164 x 12
H3168 x 320MM	H3168
H3168 x 12-7/16	HA3168 x 12-7/16
H3168 x 12-1/2	HE3168 x 12-1/2
H3172 x 340MM	H3172
H3172 x 12-15/16	HA3172 x 12-15/16
H3172 x 13	HE3172 x 13
H3172 x 13-7/16	HA3172 x 13-7/16
H3172 x 13-1/2	HE3172 x 13-1/2
H3176 x 360MM	H3176
H3176 x 13-15/16	HA3176 x 13-15/16
H3176 x 14	HE3176 x 14
H3180 x 380MM	H3180
H3180 x 14-15/16	HA3180 x 14-15/16
H3180 x 15	HE3180 x 15
H3184 x 400MM	H3184
H3184 x 15-3/4	HE3184 x 15-3/4
H3188 x 16-1/2	HE3188 x 16-1/2
H3192 x 17	HE3192 x 17
H3196 x 18	HE3196 x 18
H3252 x 240MM	H3252
H3252 x 9-7/16	HA3252 x 9-7/16
H3252 x 9-1/2	HE3252 x 9-1/2
H3256 x 260MM	H3256
H3256 x 9-15/16	HA3256 x 9-15/16
H3256 x 10	HE3256 x 10
H3256 x 10-7/16	HA3256 x 10-7/16
H3256 x 10-1/2	HE3256 x 10-1/2
H3260 x 280MM	H3260
H3260 x 10-15/16	HA3260 x 10-15/16
H3260 x 11	HE3260 x 11
H3264 x 300MM	H3264
H3264 x 11-7/16	HA3264 x 11-7/16
H3264 x 11-1/2	HE3264 x 11-1/2
H3264 x 11-15/16	HA3264 x 11-15/16
H3264 x 12	HE3264 x 12
H3268 x 320MM	H3268
H3268 x 12-7/16	HA3268 x 12-7/16
H3268 x 12-1/2	HE3268 x 12-1/2
H3272 x 340MM	H3272
H3272 x 12-15/16	HA3272 x 12-15/16
H3272 x 13	HE3272 x 13
H3272 x 13-7/16	HA3272 x 13-7/16
H3272 x 13-1/2	HE3272 x 13-1/2
H3276 x 360MM	H3276
H3276 x 13-15/16	HA3276 x 13-15/16
H3276 x 14	HA3276 x 14
H3280 x 380MM	H3280
H3280 x 14-15/16	HA3280 x 14-15/16
H3280 x 15	HE3280 x 15
H3284 x 400MM	H3284
H3284 x 15-3/4	HE3284 x 15-3/4
H3288 x 16-1/2	HE3288 x 16-1/2
H3292 x 17	HE3292 x 17
H3296 x 18	HE3296 x 18

Note: SNW-Type adapters use N or AN nuts with inch threads, H-Type adapters are interchangeable and use standard KM nuts with metric threads. Both are industry standard.

# Adapter Sleeves

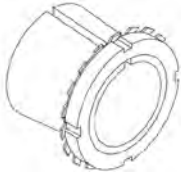


## SNW 00 Series

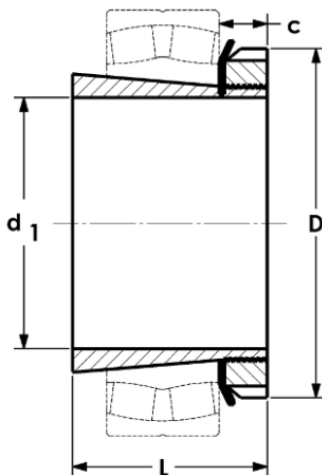
### Inch Bores

With Nut and Washer

For 222 Series Spherical Bearings  
(also used with 1200, 1300, and  
2200 Series Ball Bearings).



Models Available



Part No.	Dimension (in)				Nut	Lock Washer	Weight lb
	d <sub>1</sub>	L	D	c			
SNW05 x 3/4	3/4	1.27	1.56	0.46	N05	W05	0.2
SNW05 x 11/16	11/16	1.27	1.56	0.46	N05	W05	0.3
SNW06 x 15/16	15/16	1.35	1.75	0.46	N06	W06	0.2
SNW06 x 1	1	1.35	1.75	0.46	N06	W06	0.2
SNW07 x 1-1/16	1-1/16	1.46	2.06	0.48	N07	W07	0.4
SNW07 x 1-1/8	1-1/8	1.46	2.06	0.48	N07	W07	0.3
SNW07 x 1-1/4	1-1/4	1.46	2.06	0.48	N07	W07	0.3
SNW07 x 1-3/16	1-3/16	1.46	2.06	0.48	N07	W07	0.3
SNW08 x 1-1/4	1-1/4	1.50	2.25	0.50	N08	W08	0.4
SNW08 x 1-3/8	1-3/8	1.50	2.25	0.50	N08	W08	0.4
SNW08 x 1-5/16	1-5/16	1.50	2.25	0.50	N08	W08	0.4
SNW09 x 1-3/8	1-3/8	1.58	2.53	0.50	N09	W09	0.6
SNW09 x 1-7/16	1-7/16	1.58	2.53	0.50	N09	W09	0.6
SNW09 x 1-1/2	1-1/2	1.58	2.53	0.50	N09	W09	0.6
SNW10 x 1-11/16	1-11/16	1.77	2.69	0.56	N10	W10	0.7
SNW10 x 1-5/8	1-5/8	1.77	2.69	0.56	N10	W10	0.7
SNW10 x 1-3/4	1-3/4	1.77	2.69	0.56	N10	W10	0.7
SNW11 x 1-13/16	1-13/16	1.85	2.97	0.56	N11	W11	0.8
SNW11 x 1-3/4	1-3/4	1.85	2.97	0.56	N11	W11	0.8
SNW11 x 1-7/8	1-7/8	1.85	2.97	0.56	N11	W11	0.8
SNW11 x 1-15/16	1-15/16	1.85	2.97	0.56	N11	W11	0.9
SNW11 x 2	2	1.85	2.97	0.56	N11	W11	0.9
SNW13 x 2	2	2.10	3.38	0.63	N13	W13	1.0
SNW13 x 2-3/16	2-3/16	2.10	3.38	0.63	N13	W13	1.4
SNW13 x 2-1/4	2-1/4	2.10	3.38	0.63	N13	W13	1.4
SNW13 x 2-5/16	2-5/16	2.10	3.38	0.63	N13	W13	1.3
SNW15 x 2-3/8	2-3/8	2.30	3.88	0.67	AN15	W15	2.4
SNW15 x 2-1/2	2-1/2	2.30	3.88	0.67	AN15	W15	2.3
SNW15 x 2-7/16	2-7/16	2.30	3.88	0.67	AN15	W15	2.2
SNW15 x 2-5/8	2-5/8	2.30	3.88	0.67	AN15	W15	2.2
SNW16 x 2-11/16	2-11/16	2.38	4.16	0.67	AN16	W16	2.4
SNW16 x 2-3/4	2-3/4	2.38	4.16	0.67	AN16	W16	2.4
SNW17 x 2-15/16	2-15/16	2.49	4.41	0.70	AN17	W17	2.9
SNW17 x 3	3	2.49	4.41	0.70	AN17	W17	2.9
SNW18 x 3-3/16	3-3/16	2.65	4.66	0.78	AN18	W18	4.0
SNW18 x 3-1/4	3-1/4	2.49	4.66	0.78	AN18	W18	4.0
SNW20 x 3-7/16	3-7/16	2.87	5.19	0.84	AN20	W20	4.0
SNW20 x 3-1/2	3-1/2	2.87	5.19	0.84	AN20	W20	4.0
SNW22 x 3-11/16	3-11/16	3.21	5.72	0.91	AN22	W22	4.9
SNW22 x 3-15/16	3-15/16	3.21	5.72	0.91	AN22	W22	4.8
SNW22 x 4	4	3.21	5.72	0.91	AN22	W22	4.8
SNW24 x 4-3/16	4-3/16	3.47	6.13	0.94	AN24	W24	6.2
SNW24 x 4-1/4	4-1/4	3.47	6.13	0.94	AN24	W24	6.2
SNW26 x 4-7/16	4-7/16	3.76	6.75	1.00	AN26	W26	9.7
SNW26 x 4-1/2	4-1/2	3.76	6.75	1.00	AN26	W26	9.7
SNW28 x 4-7/8	4 7/8	3.98	7.09	1.06	AN28	W28	10.5
SNW28 x 4-15/16	4-15/16	3.98	7.09	1.06	AN28	W28	10.5
SNW28 x 5	5	3.98	7.09	1.06	AN28	W28	10.5
SNW30 x 5-3/16	5-3/16	4.24	7.69	1.13	AN30	W30	16.0
SNW30 x 5-1/4	5-1/4	4.24	7.69	1.13	AN30	W30	16.0
SNW32 x 5-7/16	5-7/16	4.58	8.06	1.19	AN32	W32	16.0
SNW32 x 5-1/2	5-1/2	4.58	8.06	1.19	AN32	W32	16.0
SNW32 x 5-3/4	5-3/4	4.58	8.06	1.19	AN32	W32	16.0
SNW34 x 5-15/16	5-15/16	4.85	8.66	1.22	AN34	W34	19.5
SNW34 x 6	6	4.85	8.66	1.22	AN34	W34	19.5
SNW36 x 6-7/16	6-7/16	5.04	9.06	1.25	AN36	W36	20.5
SNW36 x 6-1/2	6-1/2	5.04	9.06	1.25	AN36	W36	20.5
SNW38 x 6-15/16	6-15/16	5.26	9.47	1.28	AN38	W38	23.5
SNW38 x 7	7	5.26	9.47	1.28	AN38	W38	23.5
SNW40 x 7-3/16	7-3/16	5.48	9.84	1.34	AN40	W40	30.5
SNW40 x 7-3/8	7-3/8	5.48	9.84	1.34	AN40	W40	30.5
SNW44 x 7-1/2	7-1/2	5.90	11.00	1.41	AN44	W44	32.5
SNW44 x 7-7/8	7-7/8	5.90	11.00	1.41	AN44	W44	32.5
SNW44 x 7-15/16	7-15/16	5.90	11.00	1.41	AN44	W44	32.5
SNW44 x 8	8	5.90	11.00	1.41	AN44	W44	32.5

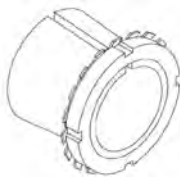
# Adapter Sleeves



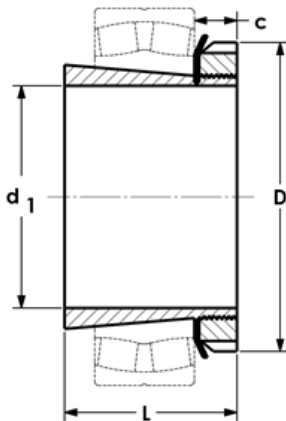
## SNW100 Series SNW3000 Series Inch Bores

With Nut and Washer

For 223 and 232 Series  
Spherical Bearings



Models Available



For 230 Series Spherical  
Bearings

Part No.	Dimension (in)				Nut	Lock Washer	Weight lb
	d <sub>1</sub>	L	D	c			
SNW109 x 1-7/16	1-7/16	2.13	2.53	0.50	N09	W09	0.7
SNW109 x 1-1/2	1-1/2	2.13	2.53	0.50	N09	W09	0.7
SNW110 x 1-11/16	1-11/16	2.39	2.69	0.56	N10	W10	0.9
SNW110 x 1-3/4	1-3/4	2.39	2.69	0.56	N10	W10	0.9
SNW111 x 1-7/8	1-7/8	2.52	2.97	0.56	N11	W11	0.9
SNW111 x 1-15/16	1-15/16	2.52	2.97	0.56	N11	W11	0.9
SNW111 x 2	2	2.52	2.97	0.56	N11	W11	0.9
SNW113 x 2-1/4	2-1/4	2.77	3.38	0.63	N13	W13	1.8
SNW113 x 2-3/16	2-3/16	2.77	3.38	0.63	N13	W13	1.8
SNW115 x 2-3/8	2-3/8	3.08	3.88	0.70	AN15	W15	3.0
SNW115 x 2-7/16	2-7/16	3.08	3.88	0.70	AN15	W15	3.0
SNW115 x 2-1/2	2-1/2	3.08	3.88	0.70	AN15	W15	3.0
SNW116 x 2-11/16	2-11/16	3.20	4.16	0.67	AN16	W16	3.2
SNW116 x 2-3/4	2-3/4	3.20	4.16	0.67	AN16	W16	3.2
SNW117 x 2-15/16	2-15/16	3.31	4.41	0.70	AN17	W17	3.4
SNW117 x 3	3	3.31	4.41	0.70	AN17	W17	3.4
SNW118 x 3-3/16	3-3/16	3.55	4.66	0.78	AN18	W18	4.0
SNW118 x 3-1/4	3-1/4	3.55	4.66	0.78	AN18	W18	4.0
SNW120 x 3-7/16	3-7/16	3.97	5.19	0.84	AN20	W20	6.3
SNW120 x 3-1/2	3-1/2	3.97	5.19	0.84	AN20	W20	6.3
SNW122 x 3-11/16	3-11/16	4.35	5.72	0.91	AN22	W22	6.5
SNW122 x 3-15/16	3-15/16	4.35	5.72	0.91	AN22	W22	6.5
SNW122 x 4	4	4.35	5.72	0.91	AN22	W22	6.5
SNW124 x 4-3/16	4-3/16	4.65	6.13	0.94	AN24	W24	7.8
SNW124 x 4-1/4	4-1/4	4.65	6.13	0.94	AN24	W24	7.8
SNW126 x 4-7/16	4-7/16	4.98	6.75	1.00	AN26	W26	12.5
SNW126 x 4-1/2	4-1/2	4.98	6.75	1.00	AN26	W26	12.5
SNW128 x 4-15/16	4-15/16	5.32	7.09	1.06	AN28	W28	13.0
SNW128 x 5	5	5.32	7.09	1.06	AN28	W28	13.0
SNW130 x 5-3/16	5-3/16	5.62	7.69	1.13	AN30	W30	18.0
SNW130 x 5-1/4	5-1/4	5.62	7.69	1.13	AN30	W30	18.0
SNW132 x 5-7/16	5-7/16	5.92	8.06	1.19	AN32	W32	18.0
SNW134 x 5-15/16	5-15/16	6.19	8.66	1.22	AN34	W34	21.0
SNW134 x 6	6	6.19	8.66	1.22	AN34	W34	21.0
SNW136 x 6-7/16	6-7/16	6.46	9.06	1.25	AN36	W36	20.5
SNW136 x 6-1/2	6-1/2	6.46	9.06	1.25	AN36	W36	20.5
SNW138 x 6-15/16	6-15/16	6.76	9.47	1.28	AN38	W38	28.0
SNW138 x 7	7	6.76	9.47	1.28	AN38	W38	28.0
SNW140 x 7-3/16	7-3/16	7.10	9.84	1.34	AN40	W40	35.5
SNW144 x 7-15/16	7-15/16	7.29	11.00	1.41	AN44	W44	46.5
SNW144 x 8	8	7.29	11.00	1.41	AN44	W44	46.5

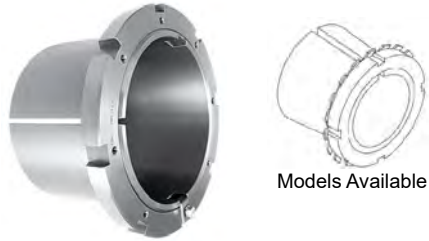
SNW3024 x 4-3/16	4-3/16	2.95	5.69	0.94	N024	W024	6.2
SNW3026 x 4-7/16	4-7/16	3.24	6.13	1.00	N026	W026	7.5
SNW3026 x 4-1/2	4-1/2	3.24	6.13	1.00	N026	W026	7.5
SNW3028 x 4-15/16	4-15/16	3.34	6.50	1.06	N028	W028	8.5
SNW3028 x 5	5	3.34	6.50	1.06	N028	W028	8.5
SNW3030 x 5-3/16	5-3/16	3.49	7.13	1.13	N030	W030	9.8
SNW3030 x 5-1/4	5-1/4	3.49	7.13	1.13	N030	W030	9.8
SNW3032 x 5-7/16	5-7/16	3.71	7.50	1.19	N032	W032	12.0
SNW3034 x 5-15/16	5-15/16	4.02	7.88	1.22	N034	W034	13.5
SNW3034 x 6	6	4.02	7.88	1.22	N034	W034	13.5
SNW3036 x 6-7/16	6-7/16	4.34	8.25	1.25	N036	W036	15.0
SNW3036 x 6-1/2	6-1/2	4.34	8.25	1.25	N036	W036	15.0
SNW3038 x 6-15/16	6-15/16	4.41	8.69	1.28	N038	W038	17.0
SNW3038 x 7	7	4.41	8.69	1.28	N038	W038	17.0
SNW3040 x 7-3/16	7-3/16	4.75	9.44	1.34	N040	W040	19.5
SNW3044 x 7-15/16	7-15/16	5.13	10.25	1.38	N044	W044	24.5
SNW3044 x 8	8	5.13	10.25	1.38	N044	W044	24.5

# Adapter Sleeves

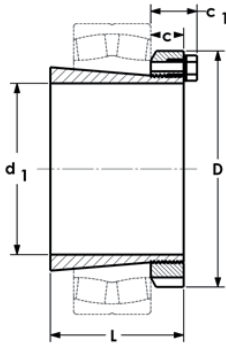


## SNP 3000 Series Inch Bores

With Nut and Washer  
For 230 Series Spherical Bearings



Models Available

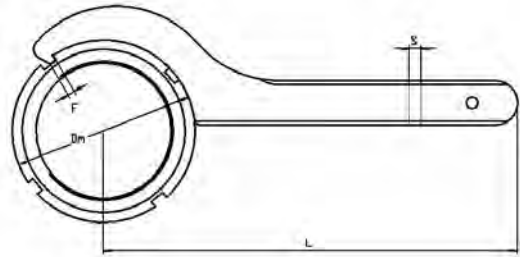


Part No.	Dimension (in)					Nut	Lock Washer	Weight, lb
	d1	L	D	c	C1			
SNP3048 x 8-7/16	8-7/16	5.43	11.44	1.70	2.17	N048	P48	31.0
SNP3048 x 8-1/2	8-1/2	5.43	11.44	1.70	2.17	N048	P48	31.0
SNP3048 x 8-15/16	8-15/16	5.43	11.44	1.70	2.17	N048	P48	32.0
SNP3048 x 9	9	5.43	11.44	1.70	2.17	N048	P48	32.0
SNP3052 x 9-7/16	9-7/16	6.02	12.19	1.77	2.17	N052	P52	41.0
SNP3052 x 9-1/2	9-1/2	6.02	12.19	1.77	2.17	N052	P52	40.0
SNP3056 x 9-15/16	9-15/16	6.19	13.00	1.86	2.33	N056	P56	47.0
SNP3056 x 10	10	6.19	13.00	1.86	2.33	N056	P56	46.0
SNP3056 x 10-7/16	10-7/16	6.19	13.00	1.86	2.33	N056	P56	45.0
SNP3056 x 10-1/2	10-1/2	6.19	13.00	1.86	2.33	N056	P56	45.0
SNP3060 x 10-15/16	10-15/16	6.73	14.19	1.97	2.44	N060	P60	59.0
SNP3060 x 11	11	6.73	14.19	1.97	2.44	N060	P60	59.0
SNP3064 x 11-1/2	11-1/2	6.95	15.00	2.06	2.57	N064	P64	66.0
SNP3064 x 12	12	6.95	15.00	2.06	2.57	N064	P64	66.0
SNP3068 x 12-7/16	12-7/16	7.54	15.75	2.19	2.70	N068	P68	78.0
SNP3068 x 12-1/2	12-1/2	7.54	15.75	2.19	2.70	N068	P68	78.0
SNP3072 x 13-7/16	13-7/16	7.58	16.50	2.19	2.70	N072	P72	86.0
SNP3076 x 13-15/16	13-15/16	7.74	17.75	2.41	2.96	N076	P76	95.0
SNP3076 x 14	14	7.74	17.75	2.41	2.96	N076	P76	95.0
SNP3080 x 15	15	8.41	18.50	2.56	3.11	N080	P80	100.0
SNP3084 x 15-3/4	15-3/4	8.50	19.31	2.56	3.11	N084	P84	105.0
SNP3088 x 16	16	8.98	20.47	2.36	3.03	N088	P88	143.0
SNP3088 x 16-1/2	16-1/2	8.98	20.47	2.36	3.03	N088	P88	143.0
SNP3092 x 17	17	9.21	21.26	2.36	3.03	N092	P92	153.0
SNP3096 x 18	18	9.33	22.05	2.36	3.03	N096	P96	161.0
SNP3500 x 18-1/2	18-1/2	9.72	22.83	2.68	3.21	N500	P500	180.0

Note: C<sub>1</sub> dimension is approximate.

## Spanner Wrenches

For 22-248mm Diameter Nuts



Part No.	Fits Metric Locknut	Fits Inch Locknut	Dm mm	F mm	L mm	S mm
HN1	KM1	N01	22	2	100	4.7
HN2	KM2	N02	25	2.5	100	4.7
HN3	KM3	N03	28	2.5	100	4.7
HN4	KM4	N04	32	2.5	120	4.7
HN5	KM5	N05	38	3	150	4.7
HN6	KM6	N06	45	3.5	180	6.3
HN7	KM7	N07	52	3.5	180	6.3
HN8	KM8	N08	58	4	210	8
HN9	KM9	N09	65	4	210	8
HN10	KM10	N10	70	4	210	8
HN11	KM11	N11	75	4	210	8
HN12	KM12	N12	80	5	240	8
HN13	KM13	N13	85	5	240	8
HN14	KM14	N14	92	5	240	8
HN15	KM15	AN15	98	5	240	8
HN16	KM16	AN16	105	5	240	8
HN17	KM17	AN17	110	5	280	12.7
HN18	KM18	AN18	120	5	280	12.7

Part No.	Fits Metric Locknut	Fits Inch Locknut	Dm mm	F mm	L mm	S mm
HN19	KM19	AN19	125	5	280	12.7
HN20	KM20	AN20	130	5	280	12.7
HN21	KM21	AN21	140	6	320	12.7
HN22	KM22	N022 / AN22	145	6	320	12.7
HN23	KM23	—	148	11	394	12.7
HN24	KM24	N024 / AN24	153	11	417	12.7
HN25	KM25	—	158	11	429	12.7
HN26	KM26	N026 / AN26	163	11	437	12.7
HN27	KM27	—	173	13	452	15.8
HN28	KM28	N028 / AN28	178	13	464	15.8
HN29	KM29	—	188	13	484	15.8
HN30	KM30	N030 / AN30	193	13	497	15.8
HN31	KM31	—	198	15	509	15.8
HN32/33	KM32/33	N032 / AN32	208	15	519	15.8
HN34	KM34	N034 / AN34	218	15	544	15.8
HN36	KM36	N036 / AN36	228	17	564	15.8
HN38	KM38	N038 / AN38	238	17	584	15.8
HN40	KM40	N040 / AN40	248	17	604	15.8

# Adapter Sleeves



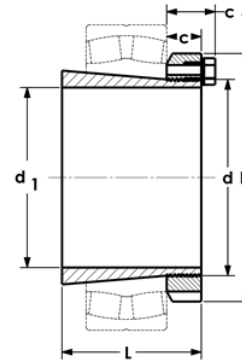
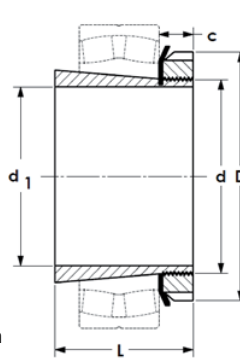
**H200 Series**  
**H3000 Series**  
**Metric & Inch Bores**  
 For 200 and 230 Series  
**Spherical Bearings**



Models Available



Sizes thru 40 with nut and washer



Sizes 44 and up with locking clip

## H200 Series

Metric Bore		Inch Bore		Other Stock Bores	Dimensions (mm)					Nut	Lock Washer	Weight kg
Part No.	d <sub>1</sub>	Part No.	d <sub>1</sub>		d	L	D	c	c <sub>1</sub>			
H204	17	—	—	—	20	24	32	7	—	KM4	MB4	0.1
H205	20	H205 x 3/4	3/4	—	25	26	38	8	—	KM5	MB5	0.1
H206	25	H206 x 1	1	—	30	27	45	8	—	KM6	MB6	0.1
H207	30	H207 x 1-3/16	1-3/16	—	35	29	52	9	—	KM7	MB7	0.1
H208	35	H208 x 1-1/4	1-1/4	—	40	31	58	10	—	KM8	MB8	0.2
H209	40	H209 x 1-7/16	1-7/16	1-1/2	45	33	65	11	—	KM9	MB9	0.2
H210	45	H210 x 1-11/16	1-11/16	1-3/4	50	35	70	12	—	KM10	MB10	0.3
H211	50	H211 x 1-15/16	1-15/16	2	55	37	75	12	—	KM11	MB22	0.3
H212	55	—	—	—	60	38	80	13	—	KM12	MB12	0.4
H213	60	H213 x 2-3/16	2-3/16	2-1/4	65	40	85	14	—	KM13	MB13	0.4
H214	60	—	—	—	70	41	92	14	—	KM14	MB14	0.6
H215	65	H215 x 2-7/16	2-7/16	2-1/2	75	43	98	15	—	KM15	MB15	0.7
H216	70	H216 x 2-11/16	2-11/16	2-3/4	80	46	105	17	—	KM16	MB16	0.9
H217	75	H217 x 2-15/16	2-15/16	3	85	50	110	18	—	KM17	MB17	1.0
H218	80	H218 x 3-3/16	3-3/16	—	90	52	120	18	—	KM18	MB18	1.2
H219	85	H219 x 3-1/4	3-1/4	—	95	55	125	19	—	KM19	MB19	1.3
H220	90	H220 x 3-7/16	3-7/16	3-1/2	100	58	130	20	—	KM20	MB20	1.5
H221	95	—	—	—	105	60	140	20	—	KM21	MB21	1.7
H222	100	H222 x 4	4	—	110	63	145	21	—	KM22	MB22	1.9

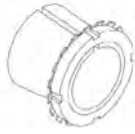
## H3000 Series

Metric Bore		Inch Bore		Other Stock Bores	Dimensions (mm)					Nut	Lock Washer	Weight kg
Part No.	d <sub>1</sub>	Part No.	d <sub>1</sub>		d	L	D	c	c <sub>1</sub>			
H3024	110	H3024 x 4-3/16	4-3/16	4-1/4	120	72	145	22	—	KML24	MBL24	2.0
H3026	115	H3026 x 4-7/16	4-7/16	4-1/2	130	80	155	23	—	KML26	MBL26	2.9
H3028	125	H3028 x 4-15/16	4-15/16	5	140	82	165	24	—	KML28	MBL28	3.2
H3030	135	H3030 x 5-3/16	5-3/16	5-1/4	150	87	180	26	—	KML30	MBL30	3.9
H3032	140	H3032 x 5-7/16	5-7/16	5-1/2	160	93	190	27.5	—	KML32	MBL32	5.2
H3034	150	H3034 x 5-15/16	5-15/16	6	170	101	200	28.5	—	KML34	MBL34	6.0
H3036	160	H3036 x 6-7/16	6-7/16	6-1/2	180	109	210	29.5	—	KML36	MBL36	6.9
H3038	170	H3038 x 6-15/16	6-15/16	7	190	112	220	30.5	—	KML38	MBL38	7.5
H3040	180	H3040 x 7-3/16	7-3/16	—	200	120	240	31.5	—	KML40	MBL40	9.2
H3044	200	H3044 x 7-15/16	7-15/16	8	220	128	260	30	41	HM3044	MS3044	10.3
H3048	220	H3048 x 8-7/16	8-7/16	8-1/2, 8-15/16, 9	240	133	290	34	46	HM3048	MS3048	13.2
H3052	240	H3052 x 9-7/16	9-7/16	9-1/2	260	147	310	34	46	HM3052	MS3052	15.3
H3056	260	H3056 x 9-15/16	9-15/16	10, 10-7/16, 10-1/2	280	152	330	38	50	HM3056	MS3056	17.7
H3060	280	H3060 x 10-15/16	10-15/16	11	300	168	360	42	54	HM3060	MS3060	22.8
H3064	300	H3064 x 11-15/16	11-15/16	11-1/2, 12	320	171	380	42	55	HM3064	MS3064	24.6
H3068	320	H3068 x 12-1/2	12-1/2	12-7/16	340	187	400	45	58	HM3068	MS3068	28.7
H3072	340	H3072 x 12-15/16	12-15/16	13, 13-7/16	360	188	420	45	58	HM3072	MS3072	30.5
H3076	360	H3076 x 13-15/16	13-15/16	14	380	193	450	48	62	HM3076	MS3076	35.8
H3080	380	H3080 x 15	15	14-15/16	400	210	470	52	66	HM3080	MS3080	41.3
H3084	400	H3084 x 15-3/4	15-3/4	—	420	212	490	52	66	HM3084	MS3084	43.7
H3088	410	H3088 x 16-1/2	16-1/2	—	440	228	520	60	77	HM3088	MS3088	65.2
H3092	430	H3092 x 17	17	—	460	234	540	60	77	HM3092	MS3092	69.5
H3096	450	H3096 x 18	18	—	480	237	560	60	77	HM3096	MS3096	73.3

Note: Hydraulic Adapter sleeves are also available with oil ducts for hydraulic removal.

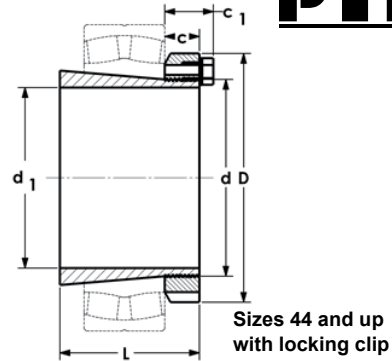
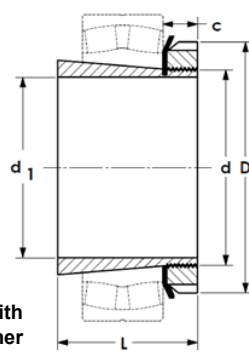
# Adapter Sleeves

**H300 Series (for 222 Series Bearings)**  
**H3100 Series (for 231 Series Bearings)**  
**Metric & Inch Bores**



Models Available

Sizes thru 40 with  
nut and washer



Sizes 44 and up  
with locking clip

## H300 Series

Metric Bore		Inch Bore		Other Stock Bores	Dimensions (mm)					Nut	Lock Washer	Weight kg
Part No.	d <sub>1</sub>	Part No.	d <sub>1</sub>		d	L	D	c	c <sub>1</sub>			
H304	17	—	—	—	20	28	32	7	—	KM4	MB4	0.1
H305	20	H305 x 3/4	3/4	1 1/16	25	29	38	8	—	KM5	MB5	0.1
H306	25	H306 x 15/16	15/16	1	30	31	45	8	—	KM6	MB6	0.1
H307	30	H307 x 1-3/16	1-3/16	1-1/8, 1-1/4	35	35	52	9	—	KM7	MB7	0.1
H308	35	H308 x 1-1/4	1-1/4	—	40	36	58	10	—	KM8	MB8	0.2
H309	40	H309 x 1-7/16	1-7/16	1-1/2	45	39	65	11	—	KM9	MB9	0.3
H310	45	H310 x 1-11/16	1-11/16	1-3/4	50	42	70	12	—	KM10	MB10	0.3
H311	50	H311 x 1-15/16	1-15/16	2	55	45	75	12	—	KM11	MB11	0.3
H312	55	H312 x 2-1/8	2-1/8	—	60	47	80	13	—	KM12	MB12	0.4
H313	60	H313 x 2-3/16	2-3/16	2-1/4	65	50	85	14	—	KM13	MB13	0.5
H314	60	H314 x 2-5/16	2-5/16	—	70	52	92	14	—	KM14	MB14	0.7
H315	65	H315 x 2-7/16	2-7/16	2-1/2	75	55	98	15	—	KM15	MB15	0.8
H316	70	H316 x 2-11/16	2-11/16	2-3/4	80	59	105	17	—	KM16	MB16	1.0
H317	75	H317 x 2-15/16	2-15/16	3	85	63	110	18	—	KM17	MB17	1.2
H318	80	H318 x 3-3/16	3-3/16	3-1/4	90	65	120	18	—	KM18	MB18	1.4
H319	85	H319 x 3-5/16	3-5/16	3-3/8	95	68	125	19	—	KM19	MB19	1.6
H320	90	H320 x 3-7/16	3-7/16	3-1/2	100	71	130	20	—	KM20	MB20	1.7
H321	95	H321 x 3-11/16	3-11/16	3-3/4	105	74	140	20	—	KM21	MB21	2.0
H322	100	H322 x 3-15/16	3-15/16	4	110	77	145	21	—	KM22	MB22	2.2

## H3100 Series

Metric Bore		Inch Bore		Other Stock Bores	Dimensions (mm)					Nut	Lock Washer	Weight kg
Part No.	d <sub>1</sub>	Part No.	d <sub>1</sub>		d	L	D	c	c <sub>1</sub>			
H3120	90	H3120 x 3-7/16	3-7/16	3-1/2	100	76	130	20	—	KM20	MB20	1.8
H3122	100	H3122 x 3-15/16	3-15/16	4	110	81	145	21	—	KM22	MB22	2.3
H3124	110	H3124 x 4-3/16	4-3/16	4-1/4	120	88	155	22	—	KM24	MB24	2.7
H3126	115	H3126 x 4-7/16	4-7/16	4-1/2	130	92	165	23	—	KM26	MB26	3.7
H3128	125	H3128 x 4-15/16	4-15/16	5	140	97	180	24	—	KM28	MB28	4.4
H3130	135	H3130 x 5-3/16	5-3/16	5-1/4	150	111	195	26	—	KM30	MB30	5.5
H3132	140	H3132 x 5-7/16	5-7/16	5-1/2	160	119	210	28	—	KM32	MB32	7.7
H3134	150	H3134 x 5-15/16	5-15/16	6	170	122	220	29	—	KM34	MB34	8.4
H3136	160	H3136 x 6-7/16	6-7/16	6-1/2	180	131	230	30	—	KM36	MB36	9.5
H3138	170	H3138 x 6-15/16	6-15/16	7	190	141	240	31	—	KM38	MB38	11.0
H3140	180	H3140 x 7-3/16	7-3/16	—	200	150	250	32	—	KM40	MB40	12.0
H3144	200	H3144 x 7-15/16	7-15/16	8	220	161	280	32	44	HM3144	MS3144	14.7
H3148	220	H3148 x 8-1/2	8-1/2	—	240	172	300	34	46	HM3148	MS3148	17.3
H3152	240	H3152 x 9-1/2	9-1/2	9-7/16	260	190	330	36	49	HM3152	MS3152	22.0
H3156	260	H3156 x 10-7/16	10-7/16	10-1/2	280	195	350	38	51	HM3156	MS3156	24.5
H3160	280	H3160 x 11	11	10-15/16	300	208	380	40	53	HM3160	MS3160	30.2
H3164	300	H3164 x 11-1/2	11-1/2	11-7/16, 11-15/16, 12	320	226	400	42	56	HM3164	MS3164	34.9
H3168	320	H3168 x 12-1/2	12-1/2	12-7/16	340	254	440	55	72	HM3168	MS3168	49.5
H3172	340	H3172 x 13	13	12-15/16, 13-7/16, 13-1/2	360	259	460	58	75	HM3172	MS3172	54.2
H3176	360	H3176 x 14	14	13-15/16	380	264	490	60	77	HM3176	MS3176	61.7
H3180	380	H3180 x 15	15	14-15/16	400	272	520	62	82	HM3180	MS3180	70.6
H3184	400	H3184 x 15-3/4	15-3/4	—	420	304	540	70	90	HM3184	MS3184	84.2
H3188	410	H3188 x 16-1/2	16-1/2	—	440	307	560	70	90	HM3188	MS3188	104.0
H3192	430	H3192 x 17	17	—	460	326	580	75	95	HM3192	MS3192	116.0
H3196	450	H3196 x 18	18	—	480	335	620	75	95	HM3196	MS3196	133.0

Note: Hydraulic Adapter sleeves, from size OH3132 are also available with oil ducts for hydraulic removal.

# Adapter Sleeves

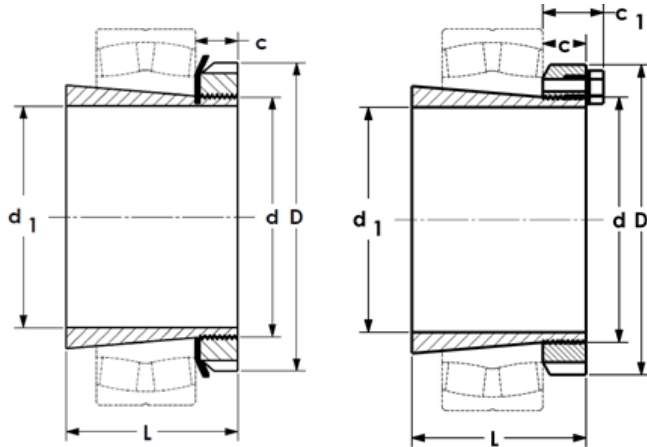


## H2300 Series

For 223 Series Spherical Bearings  
Metric & Inch Bores



Models Available



Sizes thru 40 with nut and washer

Sizes 44 and up with locking clip

### H2300 Series

Metric Bore		Inch Bore		Other Stock Bores	Dimensions in mm					Nut	Lock Washer	Weight kg
Part No.	d <sub>1</sub>	Part No.	Bores		d	L	D	c	c <sub>1</sub>			
H2304	17	—	—	—	20	31	32	7	—	KM4	MB4	0.1
H2305	20	H2305 x 3/4	—	—	25	35	38	8	—	KM5	MB5	0.1
H2306	25	H2306 x 7/8	15/16, 1	—	30	38	45	8	—	KM6	MB6	0.1
H2307	30	H2307 x 1-3/16	1-1/8	—	35	43	52	9	—	KM7	MB7	0.2
H2308	35	H2308 x 1-1/4	1-3/8, 1-5/16	—	40	46	58	10	—	KM8	MB8	0.2
H2309	40	H2309 x 1-7/16	1-1/2	—	45	50	65	11	—	KM9	MB9	0.3
H2310	45	H2310 x 1-11/16	1-3/4	—	50	55	70	12	—	KM10	MB10	0.4
H2311	50	H2311 x 1-7/8	1-15/16, 2	—	55	59	75	12	—	KM11	MB11	0.4
H2312	55	H2312 x 2-1/8	—	—	60	62	80	13	—	KM12	MB12	0.5
H2313	60	H2313 x 2-3/16	2-1/4, 2-3/8	—	65	65	85	14	—	KM13	MB13	0.6
H2314	60	—	—	—	70	68	92	14	—	KM14	MB14	0.9
H2315	65	H2315 x 2-7/16	2-1/2, 2-5/8	—	75	73	98	15	—	KM15	MB15	1.1
H2316	70	H2316 x 2-11/16	2-3/4	—	80	78	105	17	—	KM16	MB16	1.3
H2317	75	H2317 x 2-15/16	3	—	85	82	110	18	—	KM17	MB17	1.5
H2318	80	H2318 x 3-3/16	3-1/4	—	90	86	120	18	—	KM18	MB18	1.7
H2319	85	H2319 x 3-1/4	—	—	95	90	125	19	—	KM19	MB19	1.9
H2320	90	H2320 x 3-7/16	3-1/2	—	100	97	130	20	—	KM20	MB20	2.2
H2321	95	—	—	—	105	101	140	20	—	KM21	MB21	2.5
H2322	100	H2322 x 3-15/16	4	—	110	105	145	21	—	KM22	MB22	2.8
H2324	110	H2324 x 4-3/16	4-1/4	—	120	112	155	22	—	KM24	MB24	3.2
H2326	115	H2326 x 4-7/16	4-1/2	—	130	121	165	23	—	KM26	MB26	4.6
H2328	125	H2328 x 4-15/16	5	—	140	131	180	24	—	KM28	MB28	5.5
H2330	135	H2330 x 5-3/16	5-1/4	—	150	139	195	26	—	KM30	MB30	6.6
H2332	140	H2332 x 5-7/16	5-1/2	—	160	147	210	28	—	KM32	MB32	9.2
H2334	150	H2334 x 5-15/16	6	—	170	154	220	29	—	KM34	MB34	10.0
H2336	160	H2336 x 6-7/16	6-1/2, 7	—	180	161	230	30	—	KM36	MB36	11.0
H2338	170	H2338 x 6-15/16	—	—	190	169	240	31	—	KM38	MB38	12.5
H2340	180	H2340 x 7-3/16	—	—	200	176	250	32	—	KM40	MB40	14.0
H2344	200	H2344 x 7-15/16	—	—	220	186	280	32	44	HM3144	MS3144	16.7
H2348	220	H2348 x 8-15/16	—	—	240	199	300	34	46	HM3148	MS3148	19.7
H2352	240	H2352 x 9-7/16	—	—	260	211	330	36	49	HM3152	MS3152	24.2
H2356	260	—	—	—	280	224	350	38	51	HM3156	MS3156	27.8

Note: Hydraulic Adapter sleeves, from size OH2332 are also available with oil ducts on the outer and inner diameter for hydraulic removal.

# Adapter Sleeves

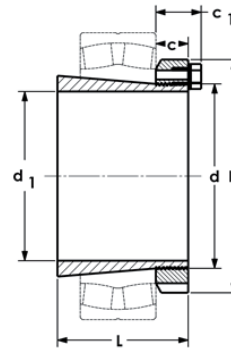
## H2300 & H3200 Series Metric & Inch Bores With Nut and Lock Plate



Models Available



Use with 232 Series Spherical Bearings



### H2300 & H3200 Series

Dimensions in mm

Part No.	Metric Bore		Inch Bore		Other Stock Bores	Dimensions (mm)					Standard Nut	Lock Plate	Lock Plate Bolt	Weight kg
	d <sub>1</sub>		Part No.	d <sub>1</sub>		d	L	D	c	c <sub>1</sub>				
H2334	150		H2334 x 5-15/16	5-15/16	6	170	154	220	29	—	K 34	MB34	—	10.2
H2336	160		H2336 x 6-7/16	6-7/16	—	180	161	230	30	—	KM36	MB36	—	11.3
H2338	170		H2338 x 6-15/16	6-15/16	—	190	169	240	31	—	KM38	MB38	—	12.6
H2340	180		H2340 x 7-3/16	7-3/16	—	200	176	250	32	—	KM40	MB40	—	14
H2344	200		H2344 x 7-15/16	7-15/16	8	220	183	280	32	48	KM3144	MB3144	—	17
H2348	220		H2348 x 8-15/16	8-15/16	9	240	199	300	34	50	HM 3148	MS3148	M8 x 16	1820
H2352	240		H2352 x 9-1/2	9-1/2	9-7/16	260	221	330	36	51	HM3152	MS3152	M8 x 16	21
H2356	260		H2356 x 10	10	9-15/16, 10-7/16, 10-1/2	280	223	350	38	53	HM3156	MS3156	M8 x 16	23
H3260	280		H3260 x 11	11	10-15/16	300	240	380	40	54	HM3160	MS3160	M10 x 30	34
H3264	300		H3264 x 12	12	11-7/16, 11-1/2, 11-15/16	320	258	400	42	55	HM3164	MS3164	M10 x 30	40
H3268	320		H3268 x 12-1/2	12-1/2	12-7/16	340	288	440	55	70	HM3168	MS3168	M12 x 25	55
H3272	340		H3272 x 13	13	12-15/16, 13-7/16, 13-1/2	360	299	460	58	73	HM3172	MS3172	M12 x 25	61
H3276	360		H3276 x 14	14	13-15/16	380	310	490	60	75	HM3176	MS3176	M12 x 25	70
H3280	380		H3280 x 15	15	14-15/16	400	328	520	62	77	HM3180	MS3180	M16 x 30	76
H3284	400		H3284 x 15-3/4	15-3/4	—	420	352	540	70	85	HM3184	MS3184	M16 x 30	94
H3288	410		H3288 x 16-1/2	16-1/2	—	440	361	560	70	85	HM3188	MS3188	M16 x 30	118
H3292	430		H3292 x 17	17	—	460	382	580	75	90	HM3192	MS3192	M16 x 30	132
H3296	450		H3296 x 18	18	—	480	397	620	75	90	HM3196	MS3196	M16 x 30	152

Note: Larger Adapters on request. Sizes to H32/1000 possible. Hydraulic Nuts - - E are also available to assist in bearing mounting. See Hydraulic Nut page. Sleeves also available as Hydraulic OH Series Adapters.

## Hydraulic Adapter Sleeves

### Nuts and Withdrawal Sleeves

Hydraulic Adapter Sleeves and Withdrawal Sleeves are available on bores that exceed 200mm (8" inch). Adding this feature to smaller units is possible when requested.

The oil channels allow hydraulic fluid to expand the bearing inner ring slightly to assist installation and removal. Hydraulic nuts to assist installation are also available.



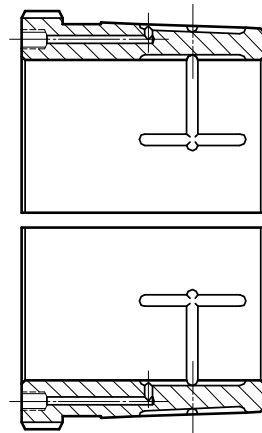
Hydraulic Adapter Sleeve



Hydraulic Withdrawal Sleeve



Hydraulic Nut





# Hydraulic Adapter Sleeves

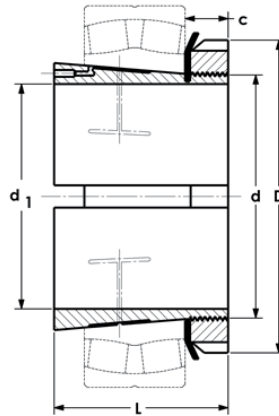


## OH3000 Series OH3100 Series Metric & Inch Bores

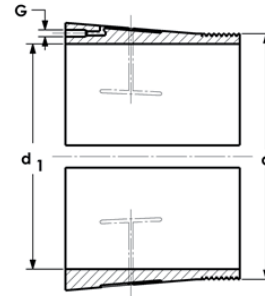
For 230 and 231 Series  
Spherical Bearings



Models Available



Sizes 44 and up with locking plate



Oil grooves for Hydraulic removal

### OH3000 Series

Metric Bore		Inch Bore		Other Stock Bores	Dimensions (mm)					Nut	Lock Washer	G	Weight kg
Part No.	d <sub>1</sub>	Part No.	d <sub>1</sub>		d	L	D	c	c <sub>1</sub>				
OH3032	140	OH3032 x 5-7/16	5-7/16	5-1/2	160	93	190	27.5	—	KML32	MBL32	M6	5.2
OH3034	150	OH3034 x 5-15/16	5-15/16	6	170	101	200	28.5	—	KML34	MBL34	M6	6.0
OH3036	160	OH3036 x 6-7/16	6-7/16	6-1/2	180	109	210	29.5	—	KML36	MBL36	M6	6.9
OH3038	170	OH3038 x 6-15/16	6-15/16	7	190	112	220	30.5	—	KML38	MBL38	M6	7.5
OH3040	180	OH3040 x 7-3/16	7-3/16	—	200	120	240	31.5	—	KML40	MBL40	M6	9.2
OH3044	200	OH3044 x 7-15/16	7-15/16	8	220	128	260	30	41	HM3044	MS3044	M6	10.3
OH3048	220	OH3048 x 8-7/16	8-7/16	8-1/2, 8-15/16, 9	240	133	290	34	46	HM3048	MS3048	M6	13.2
OH3052	240	OH3052 x 9-7/16	9-7/16	9-1/2	260	147	310	34	46	HM3052	MS3052	M6	15.3
OH3056	260	OH3056 x 9-15/16	9-15/16	10, 10-7/16, 10-1/2	280	152	330	38	50	HM3056	MS3056	M6	17.7
OH3060	280	OH3060 x 10-15/16	10-15/16	11	300	168	360	42	54	HM3060	MS3060	M6	22.8
OH3064	300	OH3064 x 11-15/16	11-15/16	11-1/2, 12	320	171	380	42	55	HM3064	MS3064	M6	24.6
OH3068	320	OH3068 x 12-1/2	12-1/2	12-7/16	340	187	400	45	58	HM3068	MS3068	M6	28.7
OH3072	340	OH3072 x 12-15/16	12-15/16	13, 13-7/16	360	188	420	45	58	HM3072	MS3072	M6	30.5
OH3076	360	OH3076 x 13-15/16	13-15/16	14	380	193	450	48	62	HM3076	MS3076	M6	35.8
OH3080	380	OH3080 x 15	15	14-15/16	400	210	470	52	66	HM3080	MS3080	M6	41.3
OH3084	400	OH3084 x 15-3/4	15-3/4	—	420	212	490	52	66	HM3084	MS3084	M6	43.7
OH3088	410	OH3088 x 16-1/2	16-1/2	—	440	228	520	60	77	HM3088	MS3088	M8	65.2
OH3092	430	OH3092 x 17	17	—	460	234	540	60	77	HM3092	MS3092	M8	69.5
OH3096	450	OH3096 x 18	18	—	480	237	560	60	77	HM3096	MS3096	M8	73.3

### OH3100 Series

Metric Bore		Inch Bore		Other Stock Bores	Dimensions (mm)					Nut	Lock Washer	G	Weight kg
Part No.	d <sub>1</sub>	Part No.	d <sub>1</sub>		d	L	D	c	c <sub>1</sub>				
OH3132	140	OH3132 x 5-7/16	5-7/16	5-1/2	160	119	210	28	—	KM32	MB32	M6	7.7
OH3134	150	OH3134 x 5-15/16	5-15/16	6	170	122	220	29	—	KM34	MB34	M6	8.4
OH3136	160	OH3136 x 6-7/16	6-7/16	6-1/2	180	131	230	30	—	KM36	MB36	M6	9.5
OH3138	170	OH3138 x 6-15/16	6-15/16	7	190	141	240	31	—	KM38	MB38	M6	11.0
OH3140	180	OH3140 x 7-3/16	7-3/16	—	200	150	250	32	—	KM40	MB40	M6	12.0
OH3144	200	OH3144 x 7-15/16	7-15/16	8	220	161	280	32	44	HM3144	MS3144	M6	14.7
OH3148	220	OH3148 x 8-1/2	8-1/2	—	240	172	300	34	46	HM3148	MS3148	M6	17.3
OH3152	240	OH3152 x 9-1/2	9-1/2	9-7/16	260	190	330	36	49	HM3152	MS3152	M6	22.0
OH3156	260	OH3156 x 10-7/16	10-7/16	10-1/2	280	195	350	38	51	HM3156	MS3156	M6	24.5
OH3160	280	OH3160 x 11	11	10-15/16	300	208	380	40	53	HM3160	MS3160	M6	30.2
OH3164	300	OH3164 x 11-1/2	11-1/2	11-7/16, 11-15/16, 12	320	226	400	42	56	HM3164	MS3164	M6	34.9
OH3168	320	OH3168 x 12-1/2	12-1/2	12-7/16	340	254	440	55	72	HM3168	MS3168	M6	49.5
OH3172	340	OH3172 x 13	13	12-15/16, 13-7/16, 13-1/2	360	259	460	58	75	HM3172	MS3172	M6	54.2
OH3176	360	OH3176 x 14	14	13-15/16	380	264	490	60	77	HM3176	MS3176	M6	61.7
OH3180	380	OH3180 x 15	15	14-15/16	400	272	520	62	82	HM3180	MS3180	M6	70.6
OH3184	400	OH3184 x 15-3/4	15-3/4	—	420	304	540	70	90	HM3184	MS3184	M6	84.2
OH3188	410	OH3188 x 16-1/2	16-1/2	—	440	307	560	70	90	HM3188	MS3188	M8	104.0
OH3192	430	OH3192 x 17	17	—	460	326	580	75	95	HM3192	MS3192	M8	116.0
OH3196	450	OH3196 x 18	18	—	480	335	620	75	95	HM3196	MS3196	M8	133.0

# Hydraulic Adapter Sleeves

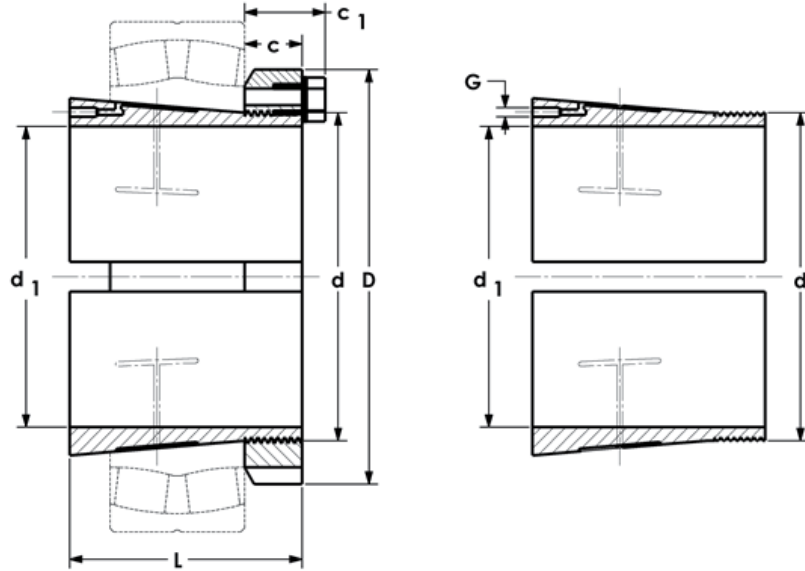
OH2300 & OH3200 Series  
Metric and Inch Bores



Use with 232 Series  
Spherical Bearings



Models Available



Sizes with locking clip

## OH2300 & OH3200 Series

Dimensions in mm

Metric Bore		Inch Bore		Other Stock Bores	Dimensions (mm)					Standard Nut	Lock Clip	Lock Clip Threads	G	Wt. kg
Part No.	d <sub>1</sub>	Part No.	d <sub>1</sub>		d	L	D	c	c <sub>1</sub>					
OH2348	220	OH2348 x 8-15/16	8-15/16	9	240	199	300	34	50	HM3148	MS3148	M8 x 16	M6	19
OH2352	240	OH2352 x 9-1/2	9-1/2	9-7/16	260	221	330	36	51	HM3152	MS3152	M8 x 16	M6	21
OH2356	260	OH2356 x 10	10	9-15/16, 10-7/16, 10-1/2	280	223	350	38	53	HM3156	MS3156	M8 x 16	M6	23
OH3260	280	OH3260 x 11	11	10-15/16	300	240	380	40	54	HM3160	MS3160	M10 x 30	M6	34
OH3264	300	OH3264 x 12	12	11-7/16, 11-1/2, 11-15/16	320	258	400	42	55	HM3164	MS3164	M10 x 30	M6	40
OH3268	320	OH3268 x 12-1/2	12-1/2	12-7/16	340	288	440	55	70	HM3168	MS3168	M12 x 25	M6	55
OH3272	340	OH3272 x 13	13	12-15/16, 13-7/16, 13-1/2	360	299	460	58	73	HM3172	MS3172	M12 x 25	M6	61
OH3276	360	OH3276 x 14	14	13-15/16	380	310	490	60	75	HM3176	MS3176	M12 x 25	M6	70
OH3280	380	OH3280 x 15	15	14-15/16	400	328	520	62	77	HM3180	MS3180	M16 x 30	M6	76
OH3284	400	OH3284 x 15-3/4	15-3/4	—	420	352	540	70	85	HM3184	MS3184	M16 x 30	M6	94
OH3288	410	OH3288 x 16-1/2	16-1/2	—	440	361	560	70	85	HM3188	MS3188	M16 x 30	M8	118
OH3292	430	OH3292 x 17	17	—	460	382	580	75	90	HM3192	MS3192	M16 x 30	M8	132
OH3296	450	OH3296 x 18	18	—	480	397	620	75	90	HM3196	MS3196	M16 x 30	M8	152

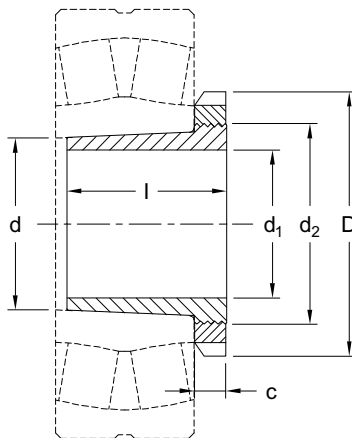
Note: Other sizes available on request. Hydraulic Nuts HMV--E are stock. Shaft side oil groove optional.

# Withdrawal Sleeves



## Metric Bores

### AH 30, 31 and 32 Series



The removal nut must be ordered separately.

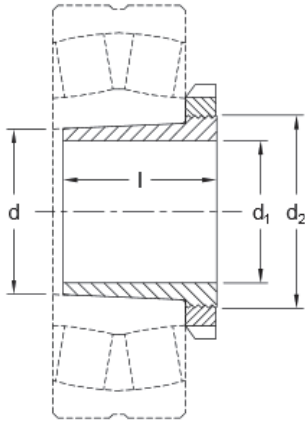
Withdrawal Sleeves, from size AH 2236 and AH 2340 are also available with oil ducts on the outer and inner diameter for hydraulic mounting.

Part No.	Dimensions (mm)				Thread	Removal Nut	C	D	Weight kg
	d	d <sub>1</sub>	d <sub>2</sub>	l					
AH3024	120	110	130	60	M130x2	KM26	21	165	1.2
AH3124	120	110	140	75	M140x2	KM28	22	180	1.7
AH3026	130	120	140	67	M140x2	KM28	22	180	1.4
AH3126	130	120	150	78	M150x2	KM30	24	195	1.9
AH3028	140	130	150	68	M150x2	KM30	24	195	1.6
AH3128	140	130	160	83	M160x3	KM32	25	210	2.2
AH3030	150	140	160	72	M160x3	KM32	25	210	1.8
AH3130	150	140	170	96	M170x3	KM34	26	220	2.7
AH3032	160	150	170	77	M170x3	KM34	26	220	2.1
AH3132	160	150	180	103	M180x3	KM36	27	230	3.2
AH3232	160	150	180	124	M180x3	KM36	27	230	4.1
AH3034	170	160	180	85	M180x3	KM36	27	230	2.4
AH3134	170	160	190	104	M190x3	KM38	28	240	3.4
AH3234	170	160	190	134	M190x3	KM38	28	240	4.8
AH3036	180	170	190	92	M190x3	KM38	28	240	2.8
AH3136	180	170	200	116	M200x3	KM40	29	250	4.2
AH3236	180	170	200	140	M200x3	KM40	29	250	5.3
AH3038	190	180	205	96	Tr205x4	HML41T	30	250	3.4
AH3138	190	180	210	125	Tr210x4	HM42T	30	270	4.9
AH3238	190	180	210	145	Tr210x4	HM42T	30	270	5.9
AH3040	200	190	215	102	Tr215x4	HML43T	30	260	3.8
AH3140	200	190	220	134	Tr220x4	HM44T	32	280	5.5
AH3240	200	190	220	153	Tr220x4	HM44T	32	280	6.7
AH3044	220	200	235	111	Tr235x4	HML47T	30	280	7.4
AH3144	220	200	240	145	Tr240x4	HM48T	34	300	10.4
AH3048	240	220	260	116	Tr260x4	HML52T	36	310	8.8
AH3148	240	220	260	154	Tr260x4	HM52T	36	330	12.0
AH3052	260	240	280	128	Tr280x4	HML56T	30	330	10.7
AH3152	260	240	290	172	Tr290x4	HM58T	36	365	16.2
AH3056	280	260	300	131	Tr300x4	HML60T	31	360	12.0
AH3156	280	260	310	175	Tr310x5	HM62T	36	380	17.5
AH3060	300	280	320	145	Tr320x5	HML64T	32	380	14.4
AH3160	300	280	330	192	Tr330x5	HM66T	40	410	20.8
AH3260	300	280	330	228	Tr330x5	HM66T	40	410	26.0
AH3064	320	300	345	149	Tr345x5	HML69T	33	410	16.0
AH3164	320	300	350	209	Tr350x5	HM70T	42	430	24.5
AH3264	320	300	350	246	Tr350x5	HM70T	42	430	30.6
AH3068	340	320	365	162	Tr365x5	HML73T	35	430	19.5
AH3168	340	320	370	225	Tr370x5	HM74T	45	450	29.0
AH3268	340	320	370	264	Tr370x5	HM74T	45	450	35.4
AH3072	360	340	385	167	Tr385x5	HML77T	37	450	21.0
AH3172	360	340	400	229	Tr400x5	HM80T	46	500	33.0
AH3272	360	340	400	274	Tr400x5	HM80T	46	500	41.5
AH3076	380	360	410	170	Tr410x5	HML82T	39	480	23.2
AH3176	380	360	420	232	Tr420x5	HM84T	49	520	35.7
AH3276	380	360	420	284	Tr420x5	HM84T	49	520	45.6
AH3080	400	380	430	183	Tr430x5	HML86T	41	500	27.3
AH3180	400	380	440	240	Tr440x5	HM88T	51	540	39.5
AH3280	400	380	440	302	Tr440x5	HM88T	51	540	51.7
AH3084	420	400	450	186	Tr450x5	HML90T	41	520	29.0
AH3184	420	400	460	266	Tr460x5	HM92T	53	550	46.5
AH3284	420	400	460	321	Tr460x5	HM92T	53	550	58.9

# Withdrawal Sleeves



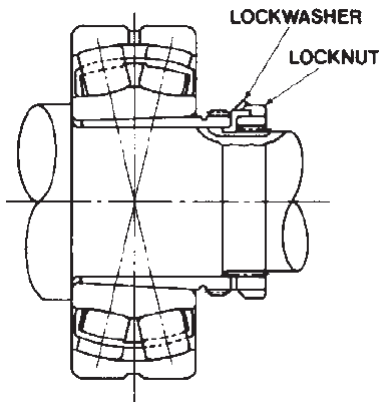
## Metric Bores



The removal nut has to be ordered separately.

Withdrawal Sleeves offer a convenient mounting alternative for straight bore or adapter mounted applications.

The locknut on the shaft mounts the bearing while a locknut on the sleeve will dismount the bearing without shaft damage.



Withdrawal Sleeves, from size AH 2236 and AH 2340 are also available with oil ducts on the outer and inner diameter for hydraulic mounting.

### AH22 and 23 Series

Part No.	Dimensions (mm)				Thread	Nut	Weight kg
	d	d <sub>1</sub>	d <sub>2</sub>	l			
AH2308	40	35	45	40	M45x1.5	KM9	0.1
AH2309	45	40	50	44	M50x1.5	KM10	0.2
AH2310	50	45	60	50	M60x2	KM12	0.2
AH2311	55	50	65	54	M65x2	KM13	0.3
AH2312	60	55	70	57	M70x2	KM14	0.3
AH2313	65	60	75	61	M75x2	KM15	0.4
AH2314	70	65	85	65	M85x2	KM17	0.5
AH2315	75	70	90	69	M90x2	KM18	0.6
AH2316	80	75	95	72	M95x2	KM19	0.7
AH2317	85	80	100	75	M100x2	KM20	0.7
AH2318	90	85	105	80	M105x2	KM21	0.9
AH2319	95	90	110	85	M110x2	KM22	1.0
AH2320	100	95	120	90	M120x2	KM24	1.2
AH2322	110	100	130	98	M130x2	KM26	2.1
AH2324	120	110	140	105	M140x2	KM28	2.5
AH2326	130	120	150	115	M150x2	KM30	3.0
AH2328	140	130	160	125	M160x3	KM32	3.6
AH2330	150	140	170	135	M170x3	KM34	4.2
AH2332	160	150	180	140	M180x3	KM36	4.8
AH2334	170	160	190	146	M190x3	KM38	5.3
AH2236	180	170	200	105	M200x3	KM40	3.8
AH2336	180	170	200	154	M200x3	KM40	5.8
AH2238	190	180	210	112	Tr 210x4	HM42T	4.3
AH2338	190	180	210	160	Tr 210x4	HM42T	6.6
AH2240	200	190	220	118	Tr 220x4	HM44T	4.7
AH2340	200	190	220	170	Tr 220x4	HM44T	7.6
AH2244	220	200	240	130	Tr 240x4	HM48T	9.1
AH2344	220	200	240	181	Tr 240x4	HM48T	13.5
AH2248	240	220	260	144	Tr 260x4	HM52T	11.1
AH2348	240	220	260	189	Tr 260x4	HM52T	15.5
AH2252	260	240	290	155	Tr 290x4	HM58T	14.0
AH2352	260	240	290	205	Tr 290x4	HM58T	19.6
AH2256	280	260	310	155	Tr 310x5	HM62T	15.2
AH2356	280	260	310	212	Tr 310x5	HM62T	21.6
AH2260	300	280	330	170	Tr 330x5	HM66T	18.1
AH2264	320	300	350	180	Tr 350x5	HM70T	20.2

### AH30, 31 and 32 Series

AH308	40	35	45	29	M45x1.5	KM9	0.1
AH309	45	40	50	31	M50x1.5	KM10	0.1
AH310	50	45	60	35	M60x2	KM12	0.2
AH311	55	50	65	37	M65x2	KM13	0.2
AH312	60	55	70	40	M70x2	KM14	0.2
AH313	65	60	75	42	M75x2	KM15	0.3
AH314	70	65	80	43	M80x2	KM16	0.3
AH315	75	70	85	45	M85x2	KM17	0.3
AH316	80	75	90	48	M90x2	KM18	0.4
AH317	85	80	100	52	M100x2	KM20	0.5
AH318	90	85	105	53	M105x2	KM21	0.5
AH319	95	90	110	57	M110x2	KM22	0.6
AH320	100	95	115	59	M115x2	KM23	0.7
AH322	110	100	130	63	M130x2	KM26	1.3
AH3122	110	100	125	68	M125x2	KM25	1.3

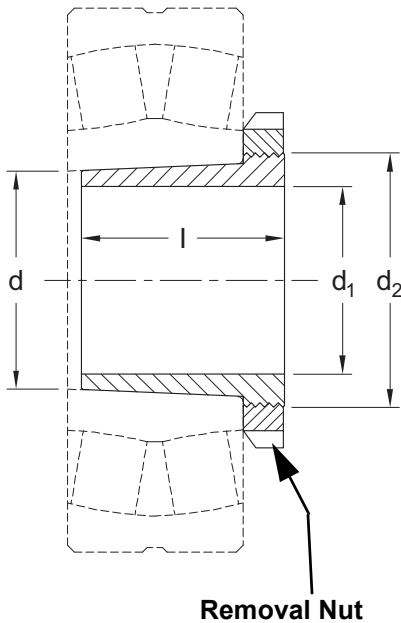
# Withdrawal Sleeves

## AHX30, 31 and 32 Series

### Metric Bores

For 230 and 231 & 232 Series

Spherical Bearings



For 223 Series Spherical Bearings

The removal nut must be ordered separately.

Inch Bores available on request

## AHX30, 31 and 32 Series

Part No.	Dimensions (mm)				Thread	Nut	Weight kg
	d	d <sub>1</sub>	d <sub>2</sub>	l			
AHX310	50	45	55	35	M55x2	KM11	0.1
AHX311	55	50	60	37	M60x2	KM12	0.2
AHX312	60	55	65	40	M65x2	KM13	0.2
AHX317	85	80	95	52	M95x2	KM19	0.4
AHX318	90	85	100	53	M100x2	KM20	0.5
AHX3218	90	85	100	63	M100x2	KM20	0.6
AHX319	95	90	105	57	M105x2	KM21	0.5
AHX320	100	95	110	59	M110x2	KM22	0.6
AHX3120	100	95	110	64	M110x2	KM22	0.6
AHX3220	100	95	110	73	M110 x2	KM22	0.8
AHX322	110	105	120	63	M120x2	KM24	0.7
AHX3122	110	105	120	68	M120x2	KM24	0.8
AHX3222	110	105	125	82	M125x2	KM25	1.0
AHX3024	120	115	130	60	M130x2	KM26	0.8
AHX3124	120	115	130	75	M130x2	KM26	0.9
AHX3224	120	115	135	90	M135x2	KM27	1.3
AHX3026	130	125	140	67	M140x2	KM28	0.9
AHX3126	130	125	140	78	M140x2	KM28	1.1
AHX3226	130	125	145	98	M145x2	KM29	1.6
AHX3028	140	135	150	68	M150x2	KM30	1.0
AHX3128	140	135	150	83	M150x2	KM30	1.3
AHX3228	140	135	155	104	M155x3	KM31	1.8
AHX3030	150	145	160	72	M160x3	KM32	1.1
AHX3130	150	145	165	96	M165x3	KM33	1.8
AHX3230	150	145	165	114	M165x3	KM33	2.2

## AHX23 Series

Part No.	Dimensions (mm)				Thread	Nut	Weight kg
	d	d <sub>1</sub>	d <sub>2</sub>	l			
AHX2310	50	45	55	50	M55x2	KM11	0.21
AHX2311	55	50	60	54	M60x2	KM12	0.25
AHX2312	60	55	65	58	M65x2	KM13	0.30
AHX2314	70	65	80	64	M80x2	KM16	0.47
AHX2315	75	70	85	68	M85x2	KM17	0.53
AHX2316	80	75	90	71	M90x2	KM18	0.60
AHX2317	85	80	95	74	M95x2	KM19	0.67
AHX2318	90	85	100	79	M100x2	KM20	0.78
AHX2319	95	90	105	85	M105x2	KM21	0.88
AHX2320	100	95	110	90	M110x2	KM22	1.0
AHX2322	110	105	125	98	M125x2	KM25	1.4
AHX2324	120	115	135	105	M135x2	KM27	1.6
AHX2326	130	125	145	115	M145x2	KM29	2.0
AHX2328	140	135	155	125	M155x3	KM31	2.3
AHX2330	150	145	165	135	M165x3	KM33	2.8

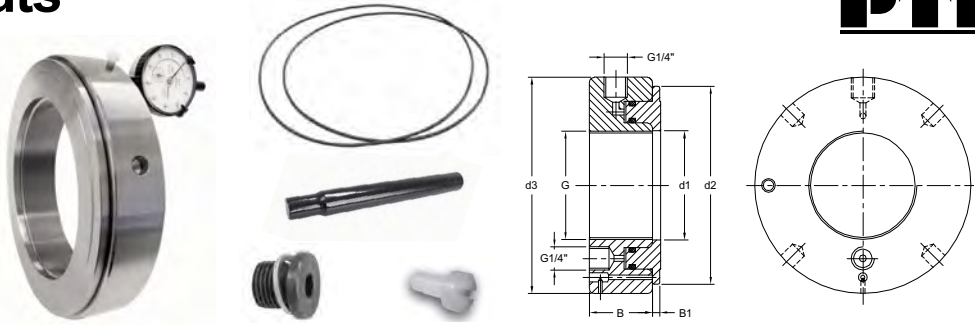
# Hydraulic Nuts

## HMV..E Series

### Metric Threads

## HMV..C Series

### Inch Threads



**HMV..E Hydraulic Nuts** are bearing mounting tools and fit on standard H-Series adapters or OH-Series hydraulic adapter sleeves with **METRIC** threads. **HMV..C Hydraulic Nuts** are bearing mounting tools and fit on standard SNW or SNP Series adapters or OSNP hydraulic adapters with **INCH** threads. Hydraulic pressure from a pump allows the piston in the face of the HMV Nut to push the bearing inner ring. As the hydraulic pressure increases, the force of the piston gently pushes the tapered bearing up the adapter taper, slightly expanding the bearing inner bore, causing internal clearance to be removed from the bearing, therefore creating a press fit of the inner ring to the shaft. During mounting, the bearing clearance should be measured until the recommended mounted running clearance for the bearing size is achieved. Once the bearing is properly mounted, the HMV nut can be replaced with the standard KM nut and washer or lock clip. Smaller and larger hydraulic nuts are available on request. A gauge mounting hole accommodates an axial gauge (gauge not included) for monitoring axial movement of bearing. Hydraulic Nuts with Inch threads are also available on request. A spanner wrench, extra O-ring seals, nylon screw for gauge retention and hydraulic plugs are included with each nut.

Hydraulic Nut

Axial Displacement Gauge

Pressure Gauge

Hydraulic Pump

### Hydraulic Nut & Pump Rental Kits

PTI offers a Hydraulic Pump & Hydraulic Nut Rental Program to assist in the installation of large bore adapter mounted bearing & pillow block units.

Contact PTI for details.



HMV..E Metric Series		HMV..C Inch Series		d1 mm	d2 mm	d3 mm	B mm	B1 mm	Max. Axial Displacement mm	Injection Hole Thread BSP	Wt. kg
Part No.	G	Part No.	G								
HMV 28E	M 140x2	HMVC 28E	5.497"x12F	140.5	200	208	37	7	5	G1/4"	6.2
HMV 30E	M 150x2	HMVC 30E	5.888"x12F	150.5	211	220	39	7	5	G1/4"	7.1
HMV 32E	M 160x3	HMVC 32E	6.284"x8F	160.5	224	232	40	7	6	G1/4"	8.0
HMV 34E	M 170x3	HMVC 34E	6.659"x8F	170.5	235	244	41	7	6	G1/4"	8.8
HMV 36E	M 180x3	HMVC 36E	7.066"x8F	180.5	247	256	41	7	6	G1/4"	9.4
HMV 38E	M 190x3	HMVC 38E	7.472"x8F	191	259	270	42	8	7	G1/4"	10.9
HMV 40E	M 200x3	HMVC 40E	7.847"x8F	201	271	282	43	8	8	G1/4"	12.0
HMV 44E	TR 220x4	HMVC 44E	8.628"x8F	222	293	306	43	8	9	G1/4"	14.1
HMV 48E	TR 240x4	HMVC 48E	9.442"x6F	242	316	330	46	9	10	G1/4"	16.8
HMV 52E	TR 260x4	HMVC 52E	10.192"x6F	262	341	356	47	9	11	G1/4"	19.8
HMV 56E	TR 280x4	HMVC 56E	11.004"x6F	282	363	380	49	9	12	G1/4"	22.7
HMV 60E	TR 300x4	HMVC 60E	11.785"x6F	302	386	404	50	10	14	G1/4"	26.2
HMV 64E	TR 320x5	HMVC 64E	12.562"x6F	322	409	428	53	10	14	G1/4"	30.3
HMV 68E	TR 340x5	HMVC 68E	13.339x5F	342	430	450	54	10	14	G1/4"	33.1
HMV 72E	TR 360x5	HMVC 72E	14.170x5F	362	455	472	56	10	15	G1/4"	36.8
HMV 76E	TR 380x5	HMVC 76E	14.957x5F	382	476	498	58	11	16	G1/4"	41.9
HMV 80E	TR 400x5	HMVC 80E	15.745x5F	402	499	522	60	11	17	G1/4"	47.4
HMV 84E	TR 420x5	HMVC 84E	16.532x5F	422	522	546	61	11	17	G1/4"	52.0
HMV 88E	TR 440x5	HMVC 88E	17.319x5F	442	543	566	62	12	17	G1/4"	55.6
HMV 92E	TR 460x5	HMVC 92E	18.107x5F	462	565	590	64	12	17	G1/4"	61.4
HMV 96E	TR 280x5	HMVC 96E	18.894x5F	482	587	612	65	12	19	G1/4"	65.7

Other sizes available on request.

# GUK Type Lock Nuts



Self-Locking nut

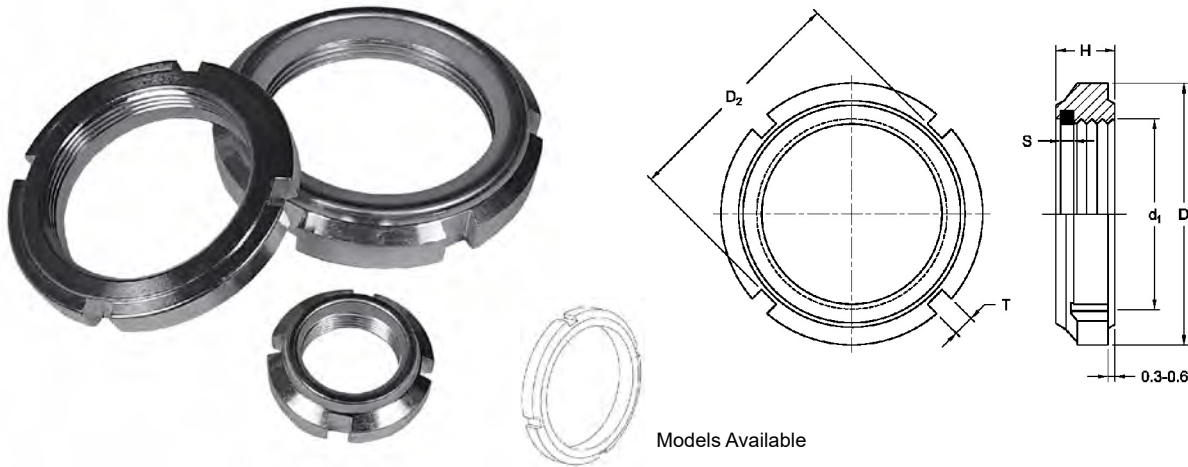
Polyamide Insert

Metric ISO fine thread

Self-locking by the Polyamide Insert - temperature max: 100°C / 212°F

The bore of the threadless Polyamide Insert is slightly smaller than the inner diameter of the nut, therefore increasing friction between nut and shaft for locking.

Zinc Plated and passivated finish.



Dimensions in mm

Part No.	Thread $d_1$	D	$D_2$	H	T	S	Nut Grooves	Wt. kg/100 pcs
GUK0	M10 x 0.75	18	15	7.6	3	1.5	4	0.6
GUK1	M12 x 1	21	18	7.6	3	1.5	4	0.9
GUK2	M15 x 1	24	21	8.6	4	1.5	4	1.4
GUK3	M17 x 1	28	24	8.7	4	2.0	4	1.7
GUK4	M20 x 1	32	27	9.6	4	2.5	4	2.3
GUK5	M25 x 1.5	38	33	10.5	5	2.5	4	3.1
GUK6	M30 x 1.5	44	38	10.7	5	3.0	4	4.6
GUK7	M35 x 1.5	50	44	11.3	5	3.0	4	6.0
GUK8	M40 x 1.5	56	50	12.3	6	3.0	4	7.5
GUK9	M45 x 1.5	62	55	12.3	6	3.5	4	9.3
GUK10	M50 x 1.5	68	61	12.9	6	3.5	4	11.3
GUK11	M55 x 2	75	68	13.4	7	3.5	6	14.6
GUK12	M60 x 2	80	73	13.4	7	3.5	6	15.9
GUK13	M65 x 2	85	77	14.5	7	4.0	6	19.0
GUK14	M70 x 2	92	84	14.5	8	4.0	6	22.1
GUK15	M75 x 2	98	89	15.5	8	4.5	6	26.1
GUK16	M80 x 2	105	96	16.5	8	4.0	8	32.1
GUK17	M85 x 2	110	100	17.5	8	5.0	8	37.1
GUK18	M90 x 2	120	110	17.7	10	5.0	8	46.6
GUK19	M95 x 2	125	115	18.7	10	5.0	8	51.6
GUK20	M100 x 2	130	120	19.7	10	5.0	8	59.6

Introduction

Mounted Ball Bearings

SRE / SR2 Spherical Bearings

SAF / Plummer Blocks

Brq. Accessories, Radial Ball, & EICH Bearings

Rod Ends & Spherical Plain Bearings

Roller Chain & Sprockets

Bushings & Hubs

Gears & Racks

Belt Drives / Couplings

Linear Motion / WINKEL

# Metric Lock Nuts

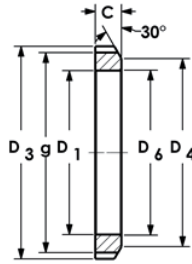
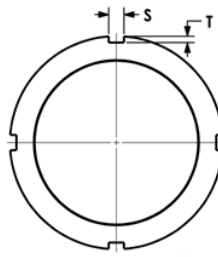


## Standard & Mounting Screw Type

### KM Series KML Series



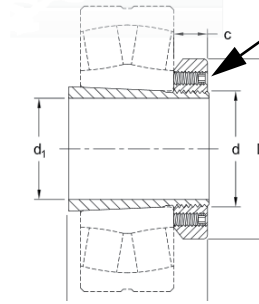
Standard Locknut



Models Available



Locknut with Mounting Screws



Mounting screws simplify bearing mounting with a Torque Wrench rather than a Spanner Wrench

KM Series					KML Series				Dimensions					
Lock Nut Part No.	Part No. Locknut w/ Mounting Screws	D <sub>3</sub>	D <sub>4</sub>	g	Lock Nut Part No.	D <sub>3</sub>	D <sub>4</sub>	g	D <sub>1</sub>	C	S	T	D <sub>6</sub>	Wt. kg
KM0	—	18	13	14	—	—	—	—	M10 x 0.75	4	3	2	10.5	0.005
KM1	—	22	17	18	—	—	—	—	M12 x 1.00	4	3	2	12.5	0.007
KM2	—	25	21	21	—	—	—	—	M15 x 1.00	5	4	2	15.5	0.01
KM3	—	28	24	24	—	—	—	—	M17 x 1.00	5	4	2	17.5	0.01
KM4	—	32	26	26	—	—	—	—	M20 x 1.00	6	4	2	20.5	0.02
KM5	—	38	32	34	—	—	—	—	M25 x 1.50	7	5	2	25.8	0.03
KM6	—	45	38	41	—	—	—	—	M30 x 1.50	7	5	2	30.8	0.04
KM7	—	52	44	48	—	—	—	—	M35 x 1.50	8	5	2	35.8	0.05
KM8	—	58	50	53	—	—	—	—	M40 x 1.50	9	6	2.5	40.8	0.09
KM9	—	65	56	60	—	—	—	—	M45 x 1.50	10	6	2.5	45.8	0.12
KM10	—	70	61	65	—	—	—	—	M50 x 1.50	11	6	2.5	50.8	0.15
KM11	—	75	67	69	—	—	—	—	M55 x 2.00	11	7	3	56.0	0.16
KM12	—	80	73	74	—	—	—	—	M60 x 2.00	11	7	3	61.0	0.17
KM13	—	85	79	79	—	—	—	—	M65 x 2.00	12	7	3	66.0	0.20
KM14	—	95	85	85	—	—	—	—	M70 x 2.00	12	8	3.5	71.0	0.24
KM15	—	98	90	91	—	—	—	—	M75 x 2.00	13	8	3.5	76.0	0.29
KM16	—	105	95	98	—	—	—	—	M80 x 2.00	15	8	3.5	81.0	0.40
KM17	—	110	102	103	—	—	—	—	M85 x 2.00	16	8	3.5	86.0	0.45
KM18	—	120	108	112	—	—	—	—	M90 x 2.00	16	10	4	91.0	0.56
KM19	—	125	113	117	—	—	—	—	M95 x 2.00	17	10	4	96.0	0.66
KM20	—	130	120	122	—	—	—	—	M100 x 2.00	18	10	4	101.0	0.70
KM21	—	140	126	130	—	—	—	—	M105 x 2.00	18	12	5	106.0	0.85
KM22	KM22-MS	145	133	135	—	—	—	—	M110 x 2.00	19	12	5	111.0	0.97
KM23	—	150	137	140	—	—	—	—	M115 x 2.00	19	12	5	116.0	1.01
KM24	KM24-MS	155	138	145	KML24	145	135	135	M120 x 2.00	20	12	5	121.0	1.08
KM25	—	160	148	150	—	—	—	—	M125 x 2.00	21	12	5	126.0	1.19
KM26	KM26-MS	165	149	155	KML26	155	145	145	M130 x 2.00	21	12	5	131.0	1.25
KM27	—	175	160	163	—	—	—	—	M135 x 2.00	22	14	6	136.0	1.55
KM28	KM28-MS	180	160	168	KML28	165	155	153	M140 x 2.00	22	14	6	141.0	1.56
KM29	—	190	171	178	—	—	—	—	M145 x 2.00	24	14	6	146.0	2.00
KM30	KM30-MS	195	172	183	KML30	180	170	168	M150 x 2.00	24	14	6	151.0	2.03
KM31	—	200	182	186	—	—	—	—	M155 x 3.00	25	16	7	156.5	2.21
KM32	KM32-MS	210	182	196	KML32	190	180	176	M160 x 3.00	25	16	7	161.5	2.59
KM33	—	210	193	196	—	—	—	—	M165 x 3.00	26	16	7	166.5	2.43
KM34	KM34-MS	220	193	206	KML34	200	190	186	M170 x 3.00	26	16	7	171.5	2.80
KM36	KM36-MS	230	203	214	KML36	210	200	194	M180 x 3.00	27	18	8	181.5	3.07
KM38	KM38-MS	240	214	224	KML38	220	210	204	M190 x 3.00	28	18	8	191.5	3.39
KM40	KM40-MS	250	226	234	KML40	240	222	224	M200 x 3.00	29	18	8	201.5	3.69

Note: Other sizes available on request.

Dimensions in mm

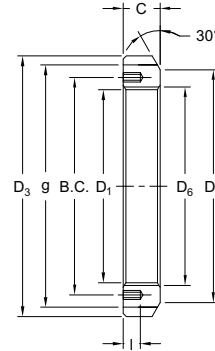
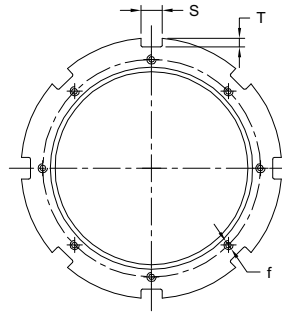


# Metric Lock Nuts

## HM3100 Series HM3000 Series



Models Available



### HM3100 Series

Dimensions in mm

Part No.	D1 Thread	D3	D4	g	S	T	D6	C	I	f	B.C.	Lock Clip Part No.	Wt. kg
HM3144	TR220 x 4	280	250	260	20	10	222.0	32	15	M8 x 1.25	238	MS3144 / MS3148	5.20
HM3148	TR240 x 4	300	270	280	20	10	242.0	34	15	M8 x 1.25	258	MS3144 / MS3148	5.95
HM3152	TR260 x 4	330	300	306	24	12	262.0	36	18	M10 x 1.50	281	MS3152 / MS3156	8.05
HM3156	TR280 x 4	350	320	326	24	12	282.0	38	18	M10 x 1.50	301	MS3152 / MS3156	9.05
HM3160	TR300 x 4	380	340	356	24	12	302.0	40	18	M10 x 1.50	326	MS3160	11.80
HM3164	TR320 x 5	400	360	376	24	12	322.5	42	18	M10 x 1.50	345	MS3164	13.10
HM3168	TR340 x 5	440	400	410	28	15	342.5	55	21	M12 x 1.75	372	MS3168 / MS3172	23.10
HM3172	TR360 x 5	460	420	430	28	15	362.5	58	21	M12 x 1.75	392	MS3168 / MS3172	25.10
HM3176	TR380 x 5	490	450	454	32	18	382.5	60	21	M12 x 1.75	414	MS3176	30.90
HM3180	TR400 x 5	520	470	484	32	18	402.5	62	27	M16 x 2.00	439	MS3180 / MS3184	36.90
HM3184	TR420 x 5	540	490	504	32	18	422.5	70	27	M16 x 2.00	459	MS3180 / MS3184	43.50
HM3188	TR440 x 5	560	510	520	36	20	442.5	70	27	M16 x 2.00	477	MS3188 / MS3192	45.30
HM3192	TR460 x 5	580	540	540	36	20	462.5	75	27	M16 x 2.00	497	MS3188 / MS3192	50.4
HM3196	TR480 x 5	620	560	580	36	20	482.5	75	27	M16 x 2.00	527	MS3196	62.2

### HM3000 Series

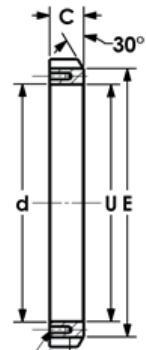
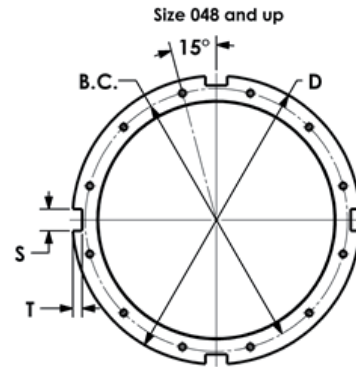
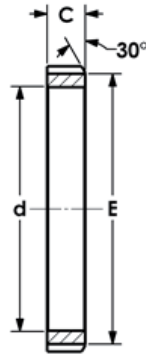
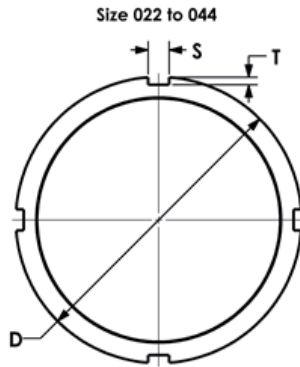
Part No.	D1 Thread	D3	D4	g	S	T	D6	C	I	f	B.C.	Lock Clip Part No.	Wt. kg
HM3044	TR220 x 4	260	242	242	20	9	222.0	30	12	M6 x 1.00	229	MS3044	3.09
HM3048	TR240 x 4	290	270	270	20	10	242.0	34	15	M8 x 1.25	253	MS3048 / MS3052	5.16
HM3052	TR260 x 4	310	290	290	20	10	262.0	34	15	M8 x 1.25	273	MS3048 / MS3052	5.67
HM3056	TR280 x 4	330	310	310	24	10	282.0	38	15	M8 x 1.25	293	MS3056	6.78
HM3060	TR300 x 4	360	336	336	24	12	302.0	42	15	M8 x 1.25	316	MS3060	9.62
HM3064	TR320 x 5	380	356	356	24	12	322.5	42	15	M8 x 1.25	335	MS3064 / MS3068	9.94
HM3068	TR340 x 5	400	376	376	24	12	342.5	45	15	M8 x 1.25	355	MS3064 / MS3068	11.70
HM3072	TR360 x 5	420	394	394	28	13	362.5	45	15	M8 x 1.25	374	MS3072	12.0
HM3076	TR380 x 5	450	422	422	28	14	382.5	48	18	M10 x 1.50	398	MS3076 / MS3080	14.9
HM3080	TR400 x 5	470	442	442	28	14	402.5	52	18	M10 x 1.50	418	MS3076 / MS3080	16.9
HM3084	TR420 x 5	490	462	462	32	14	422.5	52	18	M10 x 1.50	438	MS3084	17.4
HM3088	TR440 x 5	520	490	490	32	15	442.5	60	21	M12 x 1.75	462	MS3088 / MS3092	26.2
HM3092	TR460 x 5	540	510	510	32	15	462.5	60	21	M12 x 1.75	482	MS3088 / MS3092	29.6
HM3096	TR480 x 5	560	530	530	36	15	482.5	60	21	M12 x 1.75	502	MS3096	28.3

# Inch Lock Nuts

## N000 Series



Models Available



d<sub>1</sub> Size - UNC - Threads  
12 Holes - equally spaced for Locking Plate

Dimensions in inches

Part No.	Threads		D	E	C	S	T	B.C.	d <sub>1</sub>	S <sub>1</sub>	Wt. lb
	Major Dia. d	No. per Inch									
N022	4.325	12	5.318	4.901	0.791	0.485	0.198	—	—	—	1.6
N024	4.716	12	5.693	5.313	0.823	0.485	0.198	—	—	—	1.7
N026	5.106	12	6.130	5.703	0.885	0.485	0.198	—	—	—	2.0
N028	5.497	12	6.505	6.109	0.948	0.485	0.198	—	—	—	2.2
N030	5.888	12	7.130	6.288	0.979	0.610	0.229	—	—	—	3.0
N032	6.284	8	7.505	7.094	1.041	0.610	0.229	—	—	—	3.4
N034	6.659	8	7.880	7.484	1.073	0.610	0.229	—	—	—	3.8
N036	7.066	8	8.255	7.875	1.104	0.610	0.229	—	—	—	4.3
N038	7.472	8	8.693	8.266	1.135	0.610	0.229	—	—	—	4.6
N040	7.847	8	9.443	8.750	1.198	0.735	0.323	—	—	—	6.6
N044	8.628	8	10.255	9.531	1.260	0.860	0.385	—	—	—	6.8
N048	9.442	6	11.443	10.625	1.354	0.860	0.385	10.423	5/16-18	0.625	11.4
N052	10.192	6	12.193	11.406	1.416	0.860	0.385	11.298	5/16-18	0.625	12.5
N056	11.004	6	13.005	12.219	1.510	0.980	0.385	12.110	5/16-18	0.625	14.9
N060	11.785	6	14.193	13.219	1.573	0.980	0.510	13.110	3/8-16	0.750	21.2
N064	12.562	6	15.005	14.031	1.666	0.980	0.510	13.860	3/8-16	0.750	21.9
N068	13.339	5	15.755	14.813	1.791	0.980	0.510	14.735	3/8-16	0.750	25.8
N072	14.170	5	16.505	15.500	1.791	1.230	0.510	15.485	3/8-16	0.750	26.5
N076	14.957	5	17.755	16.625	1.916	1.230	0.604	16.485	1/2-13	0.875	32.8
N080	15.745	5	18.505	17.438	2.073	1.230	0.604	17.235	1/2-13	0.875	37.3
N084	16.532	5	19.318	18.188	2.073	1.355	0.604	18.110	1/2-13	0.875	38.4
N088	17.319	5	20.505	19.250	2.385	1.355	0.604	19.110	5/8-11	1.250	57.5
N092	18.107	5	21.255	20.688	2.385	1.355	0.604	19.985	5/8-11	1.250	65.3
N096	18.894	5	22.068	20.750	2.385	1.480	0.604	20.673	5/8-11	1.250	62.4

# Inch Lock Nuts

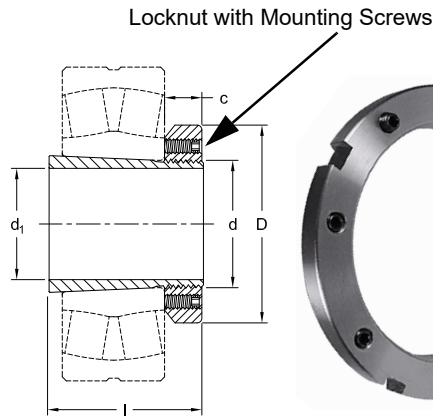
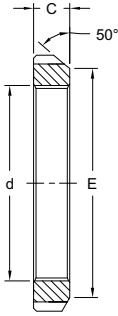
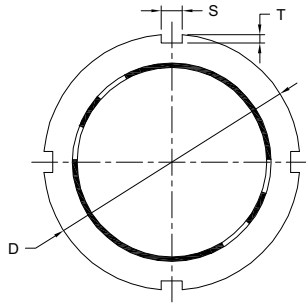
Standard & with Mounting Screws

N00 Series

AN00 Series



Standard Locknut



Locknut with Mounting Screws



Models Available

Locknut w/ Mounting Screws allows easy bearing mounting as screws are tightened

Part No. Standard	Part No. with Mounting Screws	Threads		D	E	C	S min.	T max.	Wt. lb
		Major Dia. d	No. per Inch						
N00	—	0.391	32	0.755	0.625	0.229	0.120	0.073	0.01
N01	—	0.469	32	0.880	0.719	0.323	0.120	0.073	0.02
N02	—	0.586	32	1.005	0.813	0.323	0.120	0.104	0.02
N03	—	0.664	32	1.130	0.938	0.354	0.120	0.104	0.03
N04	—	0.781	32	1.380	1.125	0.385	0.178	0.104	0.04
N05	—	0.969	32	1.568	1.281	0.416	0.178	0.104	0.05
N06	—	1.173	18	1.755	1.500	0.416	0.178	0.104	0.10
N07	—	1.376	18	2.068	1.813	0.448	0.178	0.104	0.11
N08	—	1.563	18	2.255	2.000	0.448	0.240	0.104	0.19
N09	—	1.767	18	2.536	2.281	0.448	0.240	0.104	0.36
N10	—	1.967	18	2.693	2.438	0.510	0.240	0.104	0.33
N11	—	2.157	18	2.974	2.656	0.510	0.240	0.135	0.35
N12	—	2.360	18	3.161	2.844	0.541	0.240	0.135	0.38
N13	—	2.548	18	3.380	3.063	0.573	0.240	0.135	0.45
N14	—	2.751	18	3.630	3.313	0.573	0.240	0.135	0.53
AN15	—	2.933	12	3.880	3.563	0.604	0.360	0.135	0.63
AN16	—	3.137	12	4.161	3.844	0.604	0.360	0.135	0.88
AN17	—	3.340	12	4.411	4.031	0.635	0.360	0.166	0.99
AN18	—	3.527	12	4.661	4.281	0.698	0.360	0.166	1.23
AN19	—	3.730	12	4.943	4.563	0.729	0.360	0.166	1.45
AN20	AN20-MS	3.918	12	5.193	4.813	0.760	0.360	0.166	1.54
AN21	—	4.122	12	5.443	5.000	0.760	0.485	0.198	1.86
AN22	AN22-MS	4.325	12	5.724	5.281	0.791	0.485	0.198	2.13
AN24	AN24-MS	4.716	12	6.130	5.688	0.823	0.485	0.198	2.38
AN26	AN26-MS	5.106	12	6.755	6.188	0.885	0.610	0.260	2.76
AN28	AN28-MS	5.497	12	7.099	6.531	0.948	0.610	0.360	3.44
AN30	AN30-MS	5.888	12	7.693	7.063	0.979	0.610	0.391	4.48
AN32	AN32-MS	6.284	8	8.068	7.438	1.041	0.610	0.291	5.71
AN34	AN34-MS	6.659	8	8.661	8.031	1.073	0.610	0.291	6.17
AN36	AN36-MS	7.066	8	9.068	8.375	1.104	0.735	0.323	6.77
AN38	AN38-MS	7.472	8	9.474	8.781	1.135	0.735	0.323	7.47
AN40	AN40-MS	7.847	8	9.849	9.156	1.198	0.735	0.323	8.14
AN44	AN44-MS	8.628	8	11.005	9.843	1.260	0.980	0.510	11.5

Note: Other sizes available on request.

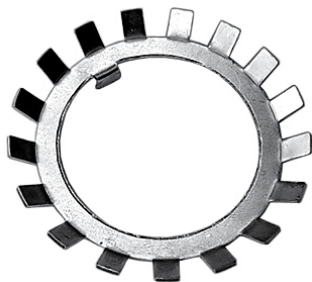
Dimensions in inches

# Inch Lock Washers

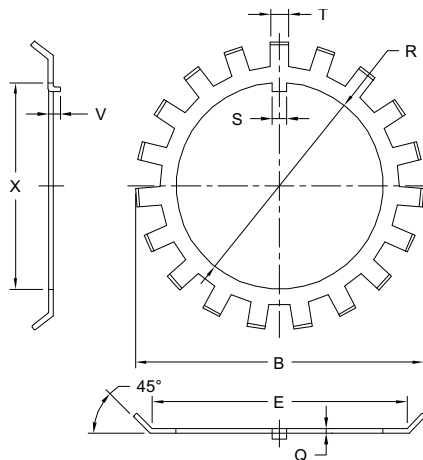


## W00 Series

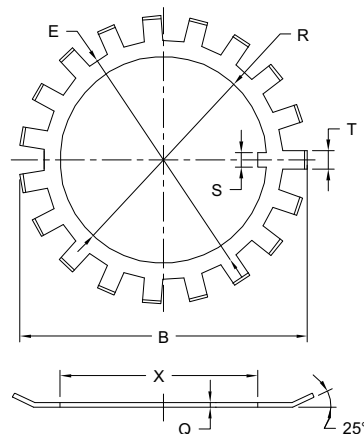
## W000 Series



Models Available



W00 Series



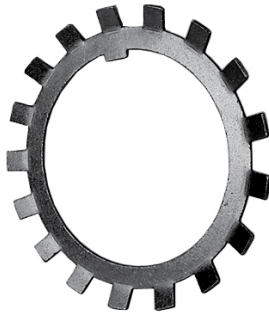
W000 Series

Part No.	Bore R	E		B		S		X min.		No. of Tangs	V		T		Q	
		W00	W000	W00	W000	W00	W000	W00	W000		W00	W000	W00	W000	W00	W000
W00	—	0.406	0.625	—	0.875	—	0.120	—	0.334	9	0.062	0.120	—	0.032	—	
W01	—	0.484	0.719	—	1.016	—	0.120	—	0.412	9	0.062	0.120	—	0.032	—	
W02	—	0.601	0.813	—	1.156	—	0.120	—	0.529	11	0.062	0.120	—	0.032	—	
W03	—	0.679	0.938	—	1.328	—	0.120	—	0.607	11	0.062	0.120	—	0.032	—	
W04	—	0.801	1.125	—	1.531	—	0.176	—	0.729	11	0.062	0.166	—	0.032	—	
W05	—	0.989	1.281	—	1.719	—	0.176	—	0.909	13	0.094	0.166	—	0.040	—	
W06	—	1.193	1.500	—	1.922	—	0.176	—	1.093	13	0.094	0.166	—	0.040	—	
W07	—	1.396	1.813	—	2.250	—	0.176	—	1.296	15	0.094	0.166	—	0.040	—	
W08	—	1.583	2.000	—	2.469	—	0.290	—	1.475	15	0.094	0.234	—	0.048	—	
W09	—	1.792	2.281	—	2.734	—	0.290	—	1.684	17	0.125	0.234	—	0.048	—	
W10	—	1.992	2.438	—	2.922	—	0.290	—	1.884	17	0.125	0.234	—	0.048	—	
W11	—	2.182	2.656	—	3.109	—	0.290	—	2.069	17	0.125	0.234	—	0.053	—	
W12	—	2.400	2.844	—	3.344	—	0.290	—	2.267	17	0.125	0.234	—	0.053	—	
W13	—	2.588	3.063	—	3.578	—	0.290	—	2.455	19	0.125	0.234	—	0.053	—	
W14	—	2.791	3.313	—	3.828	—	0.290	—	2.658	19	0.188	0.234	—	0.053	—	
W15	—	2.973	3.563	—	4.109	—	0.290	—	2.831	19	0.188	0.328	—	0.062	—	
W16	—	3.177	3.844	—	4.375	—	0.353	—	3.035	19	0.188	0.328	—	0.062	—	
W17	—	3.395	4.031	—	4.625	—	0.353	—	3.253	19	0.188	0.328	—	0.062	—	
W18	—	3.582	4.281	—	4.938	—	0.353	—	3.418	19	0.188	0.328	—	0.084	—	
W19	—	3.800	4.563	—	5.219	—	0.353	—	3.636	19	0.188	0.328	—	0.084	—	
W20	—	3.988	4.813	—	5.500	—	0.353	—	3.809	19	0.250	0.328	—	0.084	—	
W21	—	4.192	5.000	—	5.703	—	0.353	—	4.013	19	0.250	0.390	—	0.084	—	
W22	W022	4.395	5.281	4.921	6.063	5.688	0.353	0.350	4.185	19	0.250	0.390	0.390	0.115	0.115	
W24	W024	4.801	5.688	5.333	6.469	6.188	0.353	0.350	4.591	19	0.250	0.390	0.390	0.115	0.115	
W26	W026	5.191	6.188	5.723	7.031	6.625	0.435	0.469	4.961	19	0.250	0.520	0.390	0.115	0.115	
W28	W028	5.582	6.531	6.129	7.438	7.094	0.590	0.594	5.352	19	0.250	0.520	0.390	0.115	0.115	
W30	W030	5.983	7.063	6.708	8.063	7.719	0.590	0.594	5.722	19	0.313	0.520	0.520	0.146	0.115	
W32	W032	6.389	7.438	7.114	8.438	8.156	0.590	0.594	6.128	19	0.313	0.520	0.520	0.146	0.115	
W34	W034	6.764	8.031	7.508	9.063	8.594	0.715	0.719	6.503	19	0.313	0.520	0.520	0.146	0.115	
W36	W036	7.171	8.375	7.899	9.438	9.000	0.715	0.719	6.910	19	0.313	0.645	0.520	0.146	0.115	
W38	W038	7.577	8.781	8.290	9.875	9.438	0.715	0.719	7.316	19	0.313	0.645	0.520	0.146	0.115	
W40	W040	7.982	9.156	8.774	10.313	9.969	0.840	0.844	7.721	19	0.313	0.645	0.645	0.146	0.115	
W44	W044	8.701	9.875	9.570	11.438	10.406	0.940	0.945	8.327	19	—	0.878	0.770	0.146	0.115	

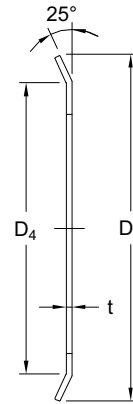
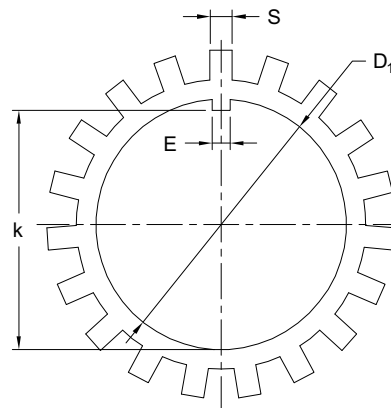
Dimensions in inches

# Metric Lock Washers

## MB Series



Models Available



Dimensions in mm

Part No.	D <sub>1</sub>	k	E	t	S	D <sub>4</sub>	D <sub>5</sub>	Tangs	Use with Lock Nut	Wt. kg/1000 Pcs
MB0	10	8.5	3	1	3	13	21	9	KM0	0.13
MB1	12	10.5	3	1	3	17	25	9	KM1	0.20
MB2	15	13.5	4	1	4	21	28	13	KM2	0.26
MB3	17	15.5	4	1	4	24	32	13	KM3	0.32
MB4	20	18.5	4	1	4	26	36	13	KM4	0.35
MB5	25	23	5	1.2	5	32	42	13	KM5	0.64
MB6	30	27.5	5	1.2	5	38	49	13	KM6	0.78
MB7	35	32.5	6	1.2	5	44	57	15	KM7	1.04
MB8	40	37.5	6	1.2	6	50	62	15	KM8	1.23
MB9	45	42.5	6	1.2	6	56	69	17	KM9	1.52
MB10	50	47.5	6	1.2	6	61	74	17	KM10	1.60
MB11	55	52.5	8	1.2	7	67	81	17	KM11	1.96
MB12	60	57.5	8	1.5	7	73	86	17	KM12	2.53
MB13	65	62.5	8	1.5	7	79	92	19	KM13	2.90
MB14	70	66.5	8	1.5	8	85	98	19	KM14	3.34
MB15	75	71.5	8	1.5	8	90	104	19	KM15	3.56
MB16	80	76.5	10	1.8	8	95	112	19	KM16	4.64
MB17	85	81.5	10	1.8	8	102	119	19	KM17	5.24
MB18	90	86.5	10	1.8	10	108	126	19	KM18	6.23
MB19	95	91.5	10	1.8	10	113	133	19	KM19	6.70
MB20	100	96.5	12	1.8	10	120	142	19	KM20	7.65
MB21	105	100.5	12	1.8	12	126	145	19	KM21	8.26
MB22	110	105.5	12	1.8	12	133	154	19	KM22	9.40
MB23	115	110.5	12	2	12	137	159	19	KM23	10.80
MB24	120	115	14	2	12	138	164	19	KM24	10.50
MB25	125	120	14	2	12	148	170	19	KM25	11.80
MB26	130	125	14	2	12	149	175	19	KM26	11.30
MB27	135	130	14	2	14	160	185	19	KM27	14.40
MB28	140	135	16	2	14	160	192	19	KM28	14.20
MB29	145	140	16	2	14	172	202	19	KM29	16.80
MB30	150	145	16	2	14	171	205	19	KM30	15.50
MB31	155	147.5	16	2.5	16	182	212	19	KM31	20.90
MB32	160	154	18	2.5	16	182	217	19	KM32	22.20
MB33	165	157.5	18	2.5	16	193	222	19	KM33	24.10
MB34	170	164	18	2.5	16	193	232	19	KM34	24.70
MB36	180	174	20	2.5	18	203	242	19	KM36	26.80
MB38	190	184	20	2.5	18	214	252	19	KM38	27.80
MB40	200	194	20	2.5	18	226	262	19	KM40	29.30

# Deep Groove Radial Ball Bearings



## Introduction

Deep Groove Radial Ball Bearings are used in nearly every aspect of the industrial market. They are very common, simple in design, interchangeable easily, economical, capable of high speeds and require very little attention. Hence they are a very logical choice for a wide variety of applications. PTI now offers the following single and double row series from stock.



## Product Range:

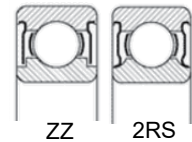
1600 Commercial Series 1601 thru 1652-2RS, ZZ & open R-Series, Precision Inch, R2 thru R24 -2RS, ZZ & open 600 Series, Miniature & Extra Small, 624 thru 629 2RS, ZZ & open 6000 Series, 6000 thru 6026, Industrial Series, -2RS, ZZ & Open 6200 Series, 6200 thru 6028, Industrial Series, -2RS, ZZ & Open 6300 Series, 6300 thru 6320, Industrial Series, -2RS, ZZ & Open 6900 Series, 6900 thru 6910, Metric Series, -2RS, ZZ & Open 5200 Series, 5200 thru 5216, Industrial Series, -2RS, ZZ & Open 5300 Series, 5300 thru 5316, Industrial Series, -2RS, ZZ & Open Other sizes on request.

## Technical Features:

Dimensions: According to ISO 15:2011  
 Tolerances: ABEC 1  
 Misalignment: 2 minutes  
 Cage Material: Pressed steel, others on request  
 Axial Loads: Up to 50% of Co for 6200 & 6300 Series  
 Up to 25% of Co for 6000 Series  
 Seals: NBR Rubber Seals (RS, 2RS) Contact lip, options on request  
 Shields: Steel Labyrinth, Z and ZZ (non contact)  
 Speed: See individual Sizes, Apply higher speeds at light loads, heavier loads at lower speeds it typical.

## Seals Shields & Snap Rings:

2RS - 2 rubber seals  
 ZZ - Shielded both sides  
 Open, no seals or shields  
 OD Snap rings available on request



## Cages:

Pressed Steel, riveted, ball guided, good for higher temps  
 Phenolic available on request



## Heat Stabilization of Races:

250°F, higher possible on request

## Clearances:

C3 Normal  
 C0, C4, and others on request

## Options:

High Temperature Units  
 External snap rings  
 Customized

## Lubrication:

NLGI 2 Lithium Base Temp Range -4°F to 250°F

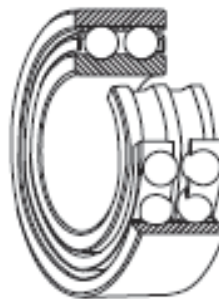
Other lubes are available for higher or lower operating needs. Standard units should not be heated above 250°F during installation. Bearings are approx. 35% filled as stocked. Other options available.

## Tolerances:

Normal ABEC 1, P6



Single Row Deep Groove Ball Bearings are very popular and applied in a wide variety of applications. They are capable of high speeds, low torque, and able to handle both radial and thrust loads very economically. They can be supplied with external snap rings, and bulk packed or individual if needed.



Double Row Deep Groove Ball Bearings popular as well basically two single row ball bearings side by side, yet a single inner and outer race. They can handle thrust loads in either direction, and also applied in a wide variety of applications. The 5200 and 5300 Series are capable of high speeds, yet heavier loads from 6200 and 6300 Single Row Series.

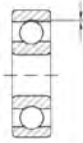
# Radial Ball Bearing Technical Data



## Radial Clearance

Radial Clearance is the internal radial looseness between the balls and the races and is the measured value of the total movement of one ring with respect to the other in a plane perpendicular to the shaft axis. Radial clearance is an important consideration as speed, load, thermal condition, mounting fit of both outer and inner race, axial motion and general deflection of the shaft are determined. Improper selection of the radial clearance can affect the overall running performance, and may result in premature bearing failure. See Chart 1 for Radial clearances as described in AFBMA standards. For more details contact PTI.

Radial Clearance



In general, as the speed and load on the bearing increases, operating temperature of the bearing increases. This may require increasing the radial clearance so a running clearance is always maintained. Radial type bearings are often pressed onto the shaft which causes the inner race to expand slightly. This practice reduces internal clearance, so fit of bearings on the shaft, or within a housing generally reduces the clearance during the mounting process. Awareness of this will help determine the proper radial clearance to specify.

## Assembly of Bearings onto a Shaft

When installing bearings onto a tight shaft, generally referred to as a "Press Fit", assembly force should be applied to the inner race only.

When installing bearings into a tight housing, force would be applied to the outer ring only. Failure to follow these simple guidelines will damage the bearing, possibly brinelling the races, causing vibration, noise and premature bearing failure.

## Fitting Practices of Bearings

A pre-loaded bearing is a candidate for early failure. This might be only feasible for a very slow rotating bearing where no radial clearance can be tolerated in the application. But generally this is not advised as temperature changes will pre-load the bearings further.

For most applications a "line to line" to slightly loose shaft and housing fits are desirable and satisfactory for most general applications.

An interference fit may be necessary to prevent one of the bearings rings from rotating relative to its mating part while under heavy load or when vibrations are present. A tight fit of both rings (to shaft and to housing) is not recommended. This generally results in unwanted axial loads as temperature changes forcing a pre-load on the bearing. Hence one of the Bearings rings must be free to move on its mating part for the best results.

## Radial Clearance - Metric and Inch Ball Bearings

Chart 1

Bore Diameter		Radial Clearance Acceptance Limits (Values in 0.0001")											
		mm		in		C2 Tight		C0 Normal		C3 Loose		C4 Extra Loose	
Over	Incl	Over	Incl	Low	High	Low	High	Low	High	Low	High	Low	High
—	2.5	—	0.0984	0	3	1	5	3	9	5	11		
2.5	6	0.0984	0.2362	0	3	1	5	3	9	5	11		
6	10	0.2362	0.3937	0	3	1	5	3	9	5	11		
10	18	0.3937	0.7087	0	3.5	1	7	4	10	7	13		
18	24	0.7087	0.9449	0	4	2	8	2	11	8	14		
24	30	0.9449	1.1811	0	4.5	2	8	5	11	9	16		
30	40	1.1811	1.5748	0	4.5	2	8	6	13	11	18		
40	50	1.5748	1.9685	0	4.5	2	9	7	14	12	20		
50	65	1.9685	2.5591	0	6	3	11	9	17	15	24		
65	80	2.5591	3.1496	0	6	4	12	10	20	18	28		
80	100	3.1496	3.9370	0	7	5	14	12	23	21	33		
100	120	3.9370	4.7244	0	8	6	16	14	26	24	38		

Note: Measurements according to AFBMA Standards.

## Axial Clearance vs Radial Clearance

The axial clearance in a bearing is generally proportional to the radial clearance. As radial clearance is reduced, axial clearance is also reduced. Contact PTI Engineering for recommendations

## Expansion and Non Expansion Bearings

Generally when 2 bearings are installed on the shaft, one is typically the fixed or non-expansion bearing and the other is the expansion or float bearing. In radial ball bearings both are normally considered fixed since they are relatively close to one another. If a long distance occurs between bearings, thermal expansion of the shaft may impose an axial load due to a growing shaft. For a shorter distance between bearings this is typically not a concern. However, the axial play mentioned above may help absorb small changes in shaft length.

## Radial Ball Bearing Numbering Nomenclature and Considerations

The following details are typically standard to the industry, and will help with the selection and general topics to insure the right bearing and features for the application.

### 1. Material

- Blank: SAE52100 Chrome Steel (most popular)
- S: AISI 440C Stainless Steel
- D: AISI 300 Stainless Steel
- C: Carbon Steel

### 2. Type

- Blank: or M Metric Series
- F or MF = Flanged Metric Series

### 3. Closure

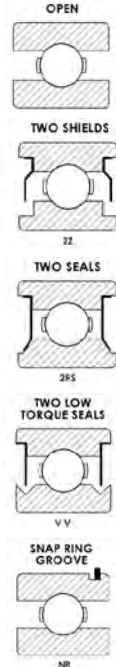
- Blank: Open (no seals or shields)
- Z: Single Shield, One side
- ZZ: Double Shields, Both Sides
- RS: Single Rubber Seal (Buna-N)
- 2RS: Two Rubber Seals (Buna-N)
- V: Single Non-Contact Seal (Buna-N)
- VV: Two Non-Contact Seals (Buna-N)
- RST: Single Trash Seal (Flinger)
- 2RST: Two Trash Seals (Flingers)
- TS: Single Teflon Seal
- 2TS: Two Teflon Seals
- 2VS: Two Viton Seals

### 4. Cage (Ball Retainer)

- Blank: Steel
- M: Brass or Bronze
- TN: Nylon

### 5. OD Modification

- N: Grooved without Snap Ring
- NR: Grooved With Snap Ring



### 6. ID Modification

Custom bore, -10 (10/16 = 5/8)

### 7. Internal Clearance

Blank or C0: Standard  
 C2: Tight P13 = 0.0001" to 0.0003"  
 C3: Loose P25 = 0.0002" to 0.0005"  
 C4: Extra Loose P36 = 0.0003" to 0.0006"  
 C5: Extra, Extra Loose P58 = 0.0005" to 0.0008"

### 8. Tolerance(s)

- A1: ABEC 1 (Most Common)
- A3: ABEC 3 (Tighter bore and OD tolerances as ABEC rating increases)
- A5: ABEC 5
- A7: ABEC 7

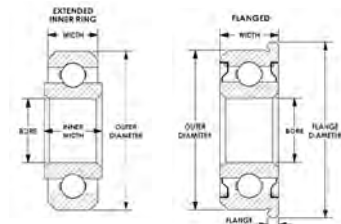
### 9. Lubrication

Request Chart, many options are available, including the amount of lube. PTI will help specify the right lube for your application.

### 10. Noise Level:

- Blank: Standard
- EMQ: Electric Motor Quality
- Additional levels available, Call PTI to discuss.

In order to properly document bearings, approval drawings will be provided with details noted for the above considerations. We can also use customer provided drawings and nomenclature as well.



# Radial Ball Technical Data



## Engineering, Fits & Tolerances

### Shaft Fits (Miniature and Instrument Bearings - Values in inches)

Operating Conditions			Shaft Diameter	Average Fit	Fit Range	Suggested Radial Clearance Range	
Shaft	Load	Speed	A3 A5 A7	A3 A5 A7	A3 A5 A7	Predominate Radial Load	Predominate Thrust Load
Rotating Shaft	Light	Low	B-0.0002	0.0002 L	0.0000	P25*	P36-P58
			B-0.0004		0.0004 L		
	Medium	Low-High	B-0.0001	0.0001 L	0.0001 T	P36	P36-P58
			B-0.0003		0.0003 L		
Heavy	High	B-0.0000	Line to Line	0.0002 T	P36	P58	
		B-0.0002		0.0002 L			
Stationary Shaft	Normal	Low-High	B-0.0002	0.0002 I	0.0000	See Rotating Housing	
			B-0.0004		0.0004 L		

\*For closer running accuracy or reduced axial play P13 (0.0001 to 0.0003) may be used provided that the fit of the outer ring is line to line or looser

A3, A5, A7 = ABEC 3, 5 & 7

B = Normal Bearing Bore: L = Loose, T = Tight

P25 = 0.0002" to 0.0005"

P36 = 0.0003" to 0.0006"

P58 = 0.0005" to 0.0008"

### Housing Fits (Miniature and Instrument Bearings - Values in inches)

Operating Conditions			Shaft Diameter	Average Fit	Fit Range	Radial Clearance Range			
Housing	Load	Speed	A3 A5 A7	A3	A5 A7	A3	A5 A7	Predominate Radial Load	Predominate Thrust Load
Stationary Shaft	Light to Heavy	Low to High	D +/- 0.0002, D - 0.0000	0.00025 L	0.0002 L	0.0000 to 0.0005 L	0.0000 to 0.0004 L	See Rotating Housing	
Rotating Housing	Light	Low-to High	D-0.0001 D-0.0000	0.0005 T	Line to Line	0.0002 L to 0.0003 T	0.0002 L to 0.0002 T	P36	P58
			D-0.0003 D-0.0002						
Rotating Housing	Medium to Heavy	Low-to High	D-0.0002 D-0.0001	0.0015 T	0.0001 T	0.0001 L to 0.0004 T	0.0001 L to 0.0003 T	P36	P58
			D-0.0004 D-0.0003						

D = Nominal Bearing OD: L = Loose, T = Tight

### Load Evaluation

Light Load: Where C (Dynamic Load Rating) / P (Equivalent Radial Load) = less than 25

Medium Load: C/P is between 15 and 25

Heavy Load: C/P is greater than 15

### Speed Evaluation

Low Speed: Less than 5000 RPM

High Speed: Above 1500 RPM for Bearings over 3/8" OD

High Speed: Above 3000 RPB with OD'S below 3/8" OD

**For additional detail, contact PTI Engineering**



# Radial Ball Technical Data



## Engineering, Fits & Tolerances

### ABEC Tolerances Grades 1, 3, 5 & 7

#### Inner Ring Tolerances (ABEC 1 and 3)

Bore Diameter				Bore Tolerance (+0.000) inch		Radial Runout (inch)		Width Tolerance (+0.000) inch	
mm		Inch		ABEC	ABEC	ABEC	ABEC	ABEC	ABEC
Over	Incl.	Over	Incl.	1	3	1	3	1	1
0	10	0	0.3937	-0.0003	-0.0002	0.0003	0.0002	-0.0005	-0.005
10	18	0.3937	0.7078	-0.0004	-0.0002	0.0004	0.0003	-0.0005	-0.005
18	30	0.7078	1.1811	-0.0004	-0.0002	0.0005	0.0003	-0.0005	-0.005
30	50	1.1811	1.9685	-0.0005	-0.0003	0.0006	0.0004	-0.0005	-0.005
50	80	1.9685	3.1496	-0.0006	-0.0004	0.0008	0.0004	-0.0006	-0.006
80	120	3.1496	4.7244	-0.0008	-0.0005	0.001	0.0005	-0.0008	-0.008

#### Outer Ring Tolerances (ABEC 1 and 3)

Outer Diameter				OD Tolerance (+0.000) inch		Radial Runout (inch)		Width Tolerance (+0.000) inch		Flange Width Tolerance (+0.000) inch		Flange Dia Tolerance (+0.000) inch	
mm		Inch		ABEC	ABEC	ABEC	ABEC	ABEC	ABEC	ABEC	ABEC	ABEC	ABEC
Over	Incl.	Over	Incl.	1	3	1	3	1	3	1	3	1	3
0	18	0	0.7078	-0.0003	-0.0003	0.0006	0.0004	-0.005	-0.005	-0.002	-0.002	-0.002	-0.002
18	30	0.3937	1.1811	-0.0004	-0.0003	0.0006	0.0004	-0.005	-0.005	-0.002	-0.002	-0.002	-0.002
30	50	0.7078	1.9685	-0.0005	-0.0003	0.0008	0.0004	-0.005	-0.005	-0.002	-0.002	-0.002	-0.002
50	80	1.1811	3.1496	-0.0005	-0.0004	0.0010	0.0005	-0.005	-0.005	—	—	—	—
80	120	1.9685	4.7244	-0.0006	-0.0004	0.0014	0.0007	-0.005	-0.005	—	—	—	—
120	150	4.724	5.9055	-0.0008	-0.0005	0.0016	0.0008	-0.005	-0.005	—	—	—	—

#### Inner Ring Tolerances (ABEC 5 and 7)

Bore Diameter				Bore Tolerance (+0.000) inch		Radial Runout (inch)		Width Tolerance (+0.000) inch		Max Width Variation (inch)		Max Ref Runout with Bore (inch)		Max Groove Runout with Ref Side (inch)		Max Bore 2-Point Out-of-round (inch)		Max Bore Taper (inch)	
mm		Inch		ABEC	ABEC	ABEC	ABEC	ABEC	ABEC	ABEC	ABEC	ABEC	ABEC	ABEC	ABEC	ABEC	ABEC	ABEC	ABEC
Over	Incl.	Over	Incl.	5	7	5	7	5	7	5	7	5	7	5	7	5	7	5	7
0	10	0	0.3937	-0.0002	-0.0002	0.00015	0.0001	-0.0010	-0.0010	0.0002	0.0001	0.0003	0.0001	-0.0003	-0.0001	-0.0001	-0.0001	-0.0001	-0.0001
10	18	0.3937	0.7078	-0.0002	-0.0002	0.00015	0.0001	-0.0010	-0.0010	0.0002	0.0001	0.0003	0.0001	-0.0003	-0.0010	-0.0010	-0.0010	-0.0010	-0.0010
18	30	0.7078	1.1811	-0.0002	-0.0002	0.00015	0.00015	-0.0010	-0.0010	0.0002	0.0001	0.0003	0.00015	-0.0003	-0.00015	-0.0010	-0.0010	-0.0010	-0.0010
30	50	1.1811	1.9685	-0.0002	-0.0002	0.0002	0.00015	-0.0010	-0.0010	0.0002	0.0001	0.0003	0.00015	-0.0003	0.00015	—	—	—	—
50	80	1.9685	3.1496	-0.0003	-0.0002	0.0002	0.0002	-0.0015	-0.0015	0.0002	0.00015	0.0003	0.0002	-0.0003	-0.00015	—	—	—	—
80	120	3.1496	4.7244	-0.0003	-0.0003	0.00025	0.0002	-0.0015	-0.0015	0.0003	0.00015	0.0004	0.0002	-0.0004	-0.0002	—	—	—	—

#### Outer Ring Tolerances (ABEC 5 and 7)

Outer Diameter				OD Tolerance (+0.000) inch		Max Radial Runout (inch)		Width Tolerance (+0.000) inch		Max Width Variation (inch)		Max Outside Cylindrical Surface Runout with Reference Side		Flange Width Tolerance (+0.000) inch		Flange Dia Tolerance (+0.000) inch		Max OD 2-Point Out-of-round (inch)		Max Groove Runout with Ref Side (inch)	
mm		Inch		ABEC	ABEC	ABEC	ABEC	ABEC	ABEC	ABEC	ABEC	ABEC	ABEC	ABEC	ABEC	ABEC	ABEC	ABEC	ABEC	ABEC	
Over	Incl.	Over	Incl.	5	7	5	7	5	7	5	7	5	7	5	7	5	7	5	7	5	7
0	18	0	0.7078	-0.0002	-0.0002	0.0002	0.00015	-0.001	-0.001	0.0002	0.0001	0.0003	0.00015	-0.0020	0.002	-0.001	-0.001	0.0001	0.0001	0.0003	0.0002
18	30	0.3937	1.1811	-0.0002	-0.0002	0.0002	0.0015	-0.001	-0.001	0.0002	0.0001	0.0003	0.00015	-0.0020	0.002	-0.001	-0.001	0.0001	0.0001	0.0003	0.0002
30	50	0.7078	1.9685	-0.0002	-0.0002	0.0002	0.00015	-0.001	-0.001	0.0002	0.0001	0.0003	0.00015	-0.0020	0.002	-0.001	-0.001	0.0001	0.0001	0.0003	0.0002
50	80	1.1811	3.1496	-0.0003	-0.0002	0.0003	0.0002	-0.0015	-0.001	0.0002	0.00015	0.0003	0.00015	—	—	—	—	—	—	0.0004	0.0002
80	120	1.9685	4.7244	-0.0003	-0.0003	0.0004	0.0002	-0.0015	-0.015	0.0003	0.0002	0.0003	0.0002	—	—	—	—	—	—	0.0005	0.0002
120	150	4.724	5.9055	-0.0004	-0.0004	0.0005	0.0003	-0.0015	-0.015	0.0003	0.0003	0.0004	0.0002	—	—	—	—	—	—	0.0005	0.0003

# Deep Groove Radial Ball Bearings

## Selection and Application



### Loads

Equivalent dynamic loads for single bearings:

$$P = Fr \text{ when } Fa / Fr \leq e$$

$$P = XFr + YFa \text{ when } Fa / Fr > e$$

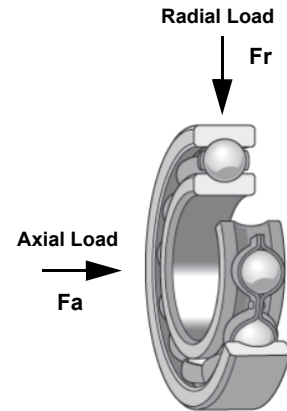
Where: P = Equivalent dynamic bearing load

Fr = radial load acting on the bearing

Fa = axial load acting on the bearing

X, Y and e = factors from Table 1 below.

Use the Basic Static Load Rating **Co** with known Radial (**Fr**) and Axial (**Fa**) loads to determine X, Y and e for use in the Equivalent Dynamic Load formula. For loads that are extremely light, or involve extreme temperatures, moist environments or other conditions, please contact PTI Engineering.



### Calculation/Formula Factors for Deep Groove Ball Bearings

Table 1

Fa/Co	Normal Clearance Co			C3 Clearance			C4 Clearance		
	e	X	Y	e	X	Y	e	X	Y
0.025	0.22	0.56	2.00	0.31	0.46	1.75	0.4	0.44	1.42
0.04	0.24	0.56	1.80	0.33	0.46	1.62	0.42	0.44	1.36
0.07	0.27	0.56	1.60	0.36	0.46	1.46	0.44	0.44	1.27
0.13	0.31	0.56	1.40	0.41	0.46	1.30	0.48	0.44	1.16
0.25	0.37	0.56	1.20	0.46	0.46	1.14	0.53	0.44	1.05
0.5	0.44	0.56	1.00	0.54	0.46	1.00	0.56	0.44	1.00

Co = Basic Static Load Rating

### Internal Radial Clearance of Deep Groove Ball Bearings

Table 2

Bore		Normal Co		C3		C4	
d (mm)		min	max	min	max	min	max
over	incl.	(in)	(in)	(in)	(in)	(in)	(in)
2.5	10	0.0001	0.0005	0.0003	0.0009	0.0006	0.0011
10	18	0.0001	0.0007	0.0004	0.0010	0.0007	0.0013
18	24	0.0002	0.0008	0.0005	0.0011	0.0008	0.0014
24	30	0.0002	0.0008	0.0005	0.0011	0.0009	0.0016
30	40	0.0002	0.0008	0.0006	0.0013	0.0011	0.0018
40	50	0.0002	0.0009	0.0007	0.0014	0.0012	0.0020
50	65	0.0003	0.0011	0.0009	0.0017	0.0015	0.0024
65	80	0.0004	0.0012	0.0010	0.0020	0.0018	0.0028
80	100	0.0005	0.0014	0.0012	0.0023	0.0021	0.0033
100	120	0.0006	0.0016	0.0014	0.0026	0.0024	0.0038
120	140	0.0007	0.0019	0.0016	0.0032	0.0028	0.0045
140	160	0.0007	0.0021	0.0018	0.0036	0.0032	0.0051

### General Information:

Most Radial Ball Bearings are installed on the shaft with a light press fit. Installation can be accomplished by warming the bearings to enlarge the bore and/or cooling the shaft to facilitate this step of installation. The resulting shrink or press fit to the shaft eliminates unwanted clearance between the bore and the shaft to allow the smoothest operation possible. Contact PTI for additional recommendations on fits to shafts or to housings.

Applications requiring bearings with low noise, higher speed ratings, low drag seals, custom lubricants or corrosion resistant coatings and other features are possible. PTI can also provide sub assemblies involving other related or integral components and kit such items to simplify sourcing and production requirements.

Bearings for Electric Motors (EM rated), are also available on request. These units will include markings noting the product features and qualifications.

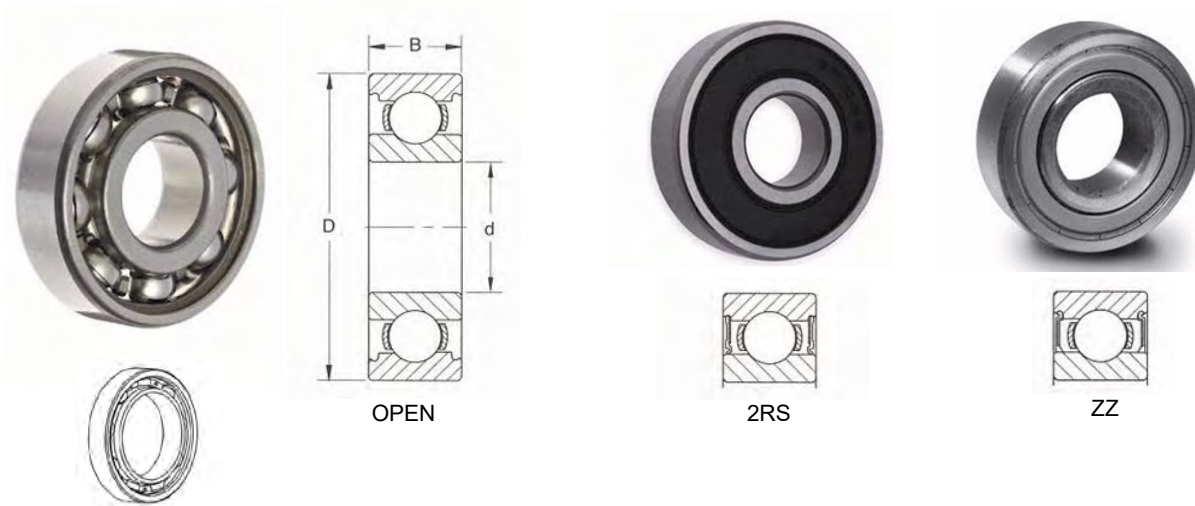
There are many factors and considerations that will help determine the optimal bearing choice. System requirements involving space, loads, alignment, speed, vibration, internal clearances, axial expansion, installation, optimized sealing, lubrication and more can all be considered to select the right bearings. PTI engineers can help recommend or verify selections to optimize the system design for bearing capability and cost.

# Radial Ball Bearings



## R Series

### Precision Inch Type



Models Available

Part No. 2 Shields	Part No. 2 Seals	d (in)	D (in)	Open Width B (in)	Sealed B (in)	Dynamic C (lbs)	Static C <sub>0</sub> (lbs)	Max** RPM	Wt. lbs
R2-ZZ	R2-2RS	0.1250	0.3750	0.1562	0.1562	142	46	56000	0.0031
R2A-ZZ	R2A-2RS	0.1250	0.5000	0.1719	0.1719	144	48	53000	0.0075
R3-ZZ	R3-2RS	0.1875	0.5000	0.1562	0.1960	293	103	43000	0.0057
R4-ZZ	R4-2RS	0.2500	0.6250	0.1960	0.1960	333	131	38000	0.0099
R4A-ZZ	R4A-2RS	0.2500	0.7500	0.2188	0.2812	525	190	36000	0.0161
R6-ZZ	R6-2RS	0.3750	0.8750	0.2188	0.2812	749	301	32000	0.0187
R8-ZZ	R8-2RS	0.5000	1.1250	0.2500	0.3125	1149	511	27000	0.0392
R10-ZZ	R10-2RS	0.6250	1.3750	0.2812	0.3438	1585	735	21000	0.0807
R12-ZZ	R12-2RS	0.7500	1.6250	0.3125	0.4375	2477	1177	17000	0.1043
R14-ZZ	R14-2RS	0.8750	1.8750	0.3175	0.5000	2658	1307	16000	0.1720
R16-ZZ	R16-2RS	1.0000	2.0000	0.3750	0.5000	2652	1307	15000	0.1918
R18-ZZ	R18-2RS	1.1250	2.1250	0.3750	0.5000	3492	1817	14000	0.2006
R20-ZZ	R20-2RS	1.2500	2.2500	0.3750	0.5000	3695	1986	14000	0.2249
R22-ZZ	R22-2RS	1.3750	2.5000	0.4375	0.5625	4067	2247	11000	0.2320
R24-ZZ	R24-2RS	1.5000	2.6250	0.4375	0.5625	4426	2446	10000	0.3091

Note: Open units available upon request. \*\*Max RPM based on light loads with shields and grease lubricated. For bearings with 2RS seals, multiply above Max RPM by 0.70 for sealed Max RPM, for Oil multiply above Max RPM by 1.2. Special grease and fill levels available on request.

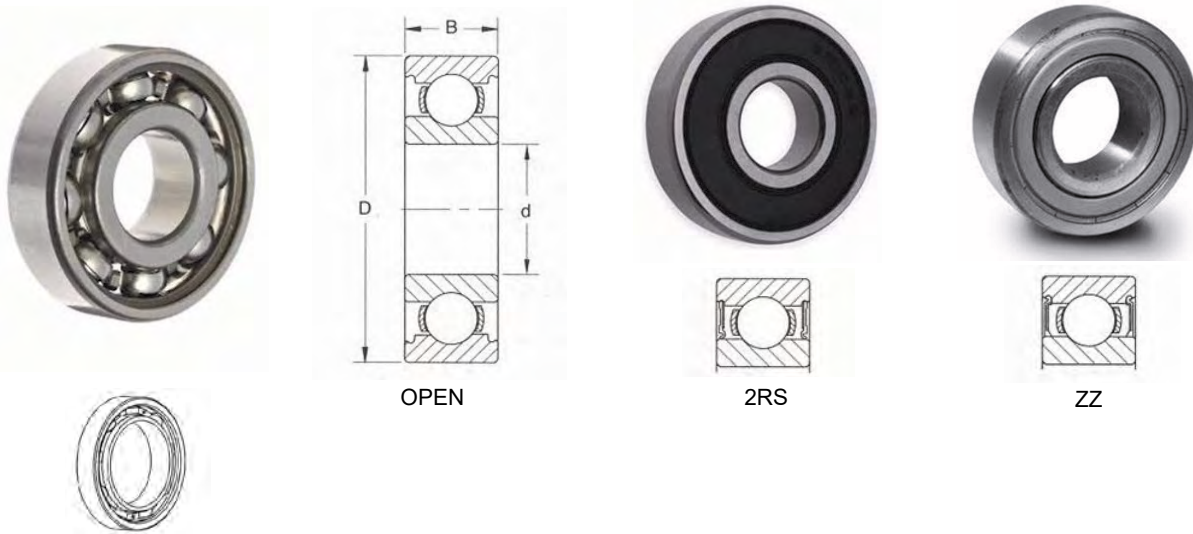
# Radial Ball Bearings



## 600 Series

### Miniature and Extra Small

### Open, Sealed, Shielded Single Row Type



Models Available

PTI Part No. 2 Shields*	PTI Part No. 2 Seals *	d (mm)	D (mm)	Open Width B (mm)	Sealed B (mm)	Dynamic C (lbs)	Static C <sub>O</sub> (lbs)	Max** RPM	Wt. lbs
624-ZZ	624-2RS	4	13	5	5	225	108	40000	0.007
625-ZZ	625-2RS	5	16	5	5	300	199	36000	0.011
635-ZZ	635-2RS	5	19	6	6	405	203	32000	0.02
606-ZZ	606-2RS	6	17	6	6	340	160	38000	0.011
626-ZZ	626-2RS	6	19	6	6	405	203	32000	0.018
686-ZZ	686-2RS	6	13	3.5	5	188	90	38000	0.005
607-ZZ	607-2RS	7	19	6	6	390	195	36000	0.026
627-ZZ	627-2RS	7	22	7	7	570	305	30000	0.029
608-ZZ	608-2RS	8	22	7	7	570	305	34000	0.26
628-ZZ	628-2RS	8	24	8	8	435	219	32000	0.033
688-ZZ	688-2RS	8	16	4	5	216	117	35000	0.007
609-ZZ	609-2RS	9	24	7	7	582	305	32000	0.032
629-ZZ	629-2RS	9	26	8	8	790	490	28000	0.044

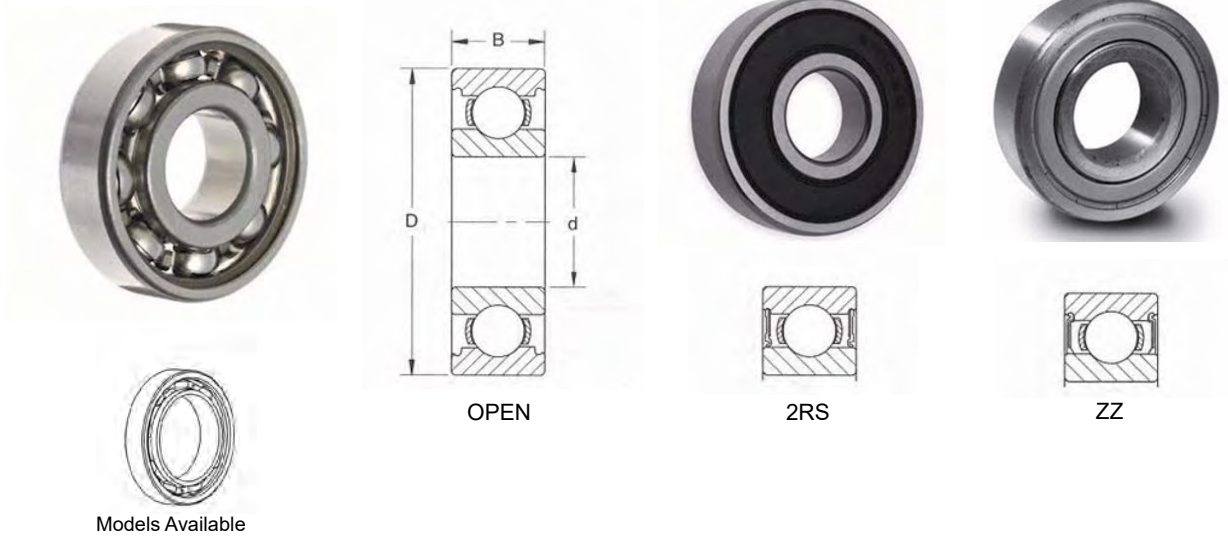
Note: Open units, Single Shielded units (-ZZ) and Single Sealed units (2-RS) available upon request. \* Available in 400 Series Stainless Steel from production. \*\*Max speed based on light loads with shields. For grease filled units multiply the Max RPM by 0.7, for Oil Lube Units multiply the Max RPM by 1.2. Special grease and fill levels available on request.

# Radial Ball Bearings



## 1600 Series

### Commercial Inch Type



Part No. 2 Shields	Part No. 2 Seals	d (in)	D (in)	B (in)	Dynamic C (lbs)	Static C <sub>0</sub> (lbs)	Max** RPM	Wt. lbs
1601-ZZ	1601-2RS	0.1875	0.6875	0.2500	294	146	47500	0.009
1602-ZZ	1602-2RS	0.2500	0.6875	0.2500	294	146	46000	0.014
1603-ZZ	1603-2RS	0.3125	0.8750	0.2812	464	228	36000	0.021
1604-ZZ	1604-2RS	0.3750	0.8750	0.2812	464	228	31000	0.019
1605-ZZ	1605-2RS	0.3125	0.9062	0.3125	464	228	34000	0.037
1606-ZZ	1606-2RS	0.3750	0.9062	0.3125	464	228	31000	0.048
1607-ZZ	1607-2RS	0.4375	0.9062	0.3125	400	229	28750	0.049
1614-ZZ	1614-2RS	0.3750	1.1250	0.3750	400	229	25000	0.077
1615-ZZ	1615-2RS	0.4375	1.1250	0.3750	400	229	23000	0.071
1616-ZZ	1616-2RS	0.5000	1.1250	0.3750	400	229	26000	0.066
1620-ZZ	1620-2RS	0.4375	1.3750	0.4375	600	354	22000	0.100
1621-ZZ	1621-2RS	0.5000	1.3750	0.4375	600	354	20000	0.106
1622-ZZ	1622-2RS	0.5625	1.3750	0.4375	600	354	19000	0.101
1623-ZZ	1623-2RS	0.6250	1.3750	0.4375	600	354	19500	0.088
1628-ZZ	1628-2RS	0.6250	1.6250	0.5000	738	454	17500	0.159
1630-ZZ	1630-2RS	0.7500	1.6250	0.5000	738	454	20000	0.143
1633-ZZ	1633-2RS	0.6250	1.7500	0.5000	738	454	16500	0.203
1635-ZZ	1635-2RS	0.7500	1.7500	0.5000	738	454	16500	0.187
1638-ZZ	1638-2RS	0.7500	2.0000	0.5625	1100	709	15000	0.265
1640-ZZ	1640-2RS	0.8750	2.0000	0.5625	1100	709	14000	0.247
1641-ZZ	1641-2RS	1.0000	2.0000	0.5625	1100	709	13000	0.221
1652-ZZ	1652-2RS	1.1250	2.5000	0.6250	1306	857	11000	0.463

Note: Open Units available upon request. \*\*Max RPM based on light loads with shields. For grease lubricated units multiply the Max RPM by 0.7, for Oil lubricated units multiply the Max RPM by 1.2. Special grease and fill loads available on request.

# Radial Ball Bearings



## 6000 Series

### Open, Sealed, Shielded Single Row Type



PTI Part No. 2 Shields	PTI Part No. 2 Seals	d (mm)	D (mm)	B (mm)	Dynamic C (lbs)	Static C <sub>0</sub> (lbs)	Max** RPM	Wt. lbs
6000-ZZ	6000-2RS*	10	26	8	790	432	31000	0.042
6001-ZZ	6001-2RS*	12	28	8	885	500	27000	0.049
6002-ZZ	6002-2RS*	15	32	9	970	560	23000	0.066
6003-ZZ	6003-2RS*	17	35	10	1180	680	21000	0.086
6004-ZZ	6004-2RS*	20	42	12	1620	1000	17000	0.152
6005-ZZ	6005-2RS*	25	47	12	1740	1110	15000	0.176
6006-ZZ	6006-2RS*	30	55	13	2290	1630	13000	0.258
6007-ZZ	6007-2RS*	35	26	14	2760	2020	11000	0.342
6008-ZZ	6008-2RS*	40	68	15	2900	2220	10000	0.423
6009-ZZ	6009-2RS*	45	75	16	3650	2910	9000	0.540
6010-ZZ	6010-2RS*	50	80	16	3750	3150	8000	0.575
6011-ZZ	6011-2RS*	55	90	18	4900	4100	8000	0.849
6012-ZZ	6012-2RS*	60	95	18	5100	4400	7000	0.915
6013-ZZ	6013-2RS*	65	100	18	5300	4750	7000	0.959
6014-ZZ	6014-2RS*	70	110	20	6600	5900	6000	1.330
6015-ZZ	6015-2RS	75	115	20	6850	6350	6000	1.410
6016-ZZ	6016-2RS	80	125	22	8200	7080	5000	1.906
6017-ZZ	6017-2RS	85	130	22	8540	7530	5000	1.971
6018-ZZ	6018-2RS	90	140	24	10115	8754	5000	2.589
6019-ZZ	6019-2RS	95	145	24	10450	9330	5000	2.688
6020-ZZ	6020-2RS	100	150	24	10450	9330	4000	2.776
6021-ZZ	6021-2RS	105	160	26	12365	11240	4000	3.503
6022-ZZ	6022-2RS	110	170	28	13700	12590	3700	4.362
6024-ZZ	6024-2RS	120	180	28	14390	13490	3300	4.626
6026-ZZ	6026-2RS	130	200	33	23000	22000	3100	6.950

Note: Open units, Single Shielded units (-ZZ) and Single Sealed units (2-RS) available upon request. \* Available in 400 Series Stainless Steel.

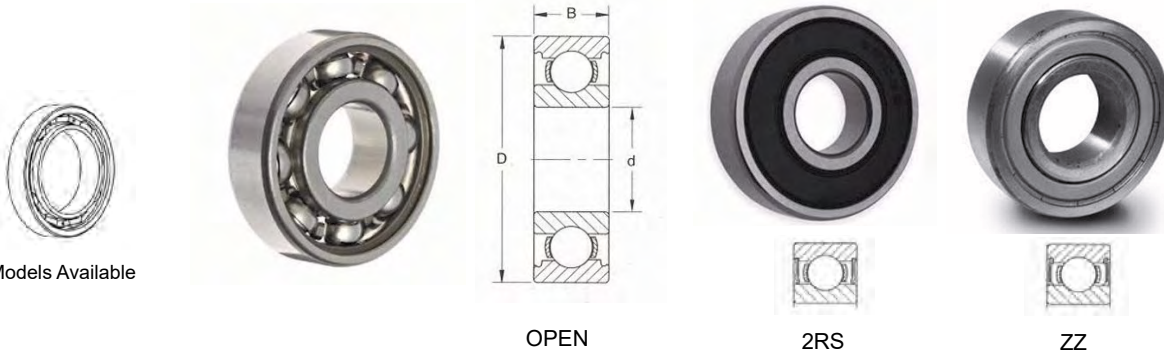
\*\*Max RPM based on shielded, grease lube, light loads. For 2RS sealed units multiply Max RPM by 0.70 for approx limit guidelines. For Oil lubricated units, multiply the Max RPM by 1.2. Special grease and fill levels available on request.

# Radial Ball Bearings



## 6200 Series

### Open, Sealed, Shielded Single Row Radial Type



Models Available

#### Metric Bores

Part No. 2 Shields	Part No. 2 Seals	d (mm)	D (mm)	B (mm)	Dynamic C (lbs)	Static C <sub>0</sub> (lbs)	Max** RPM	Wt. lbs
6200-ZZ	6200-2RS*	10	30	9	935	510	24000	0.071
6201-ZZ	6201-2RS*	12	32	10	1050	595	22000	0.082
6202-ZZ	6202-2RS*	15	35	11	1340	775	20000	0.099
6203-ZZ	6203-2RS*	17	40	12	1660	985	17000	0.143
6204-ZZ	6204-2RS*	20	47	14	2200	1390	15000	0.234
6205-ZZ	6205-2RS*	25	52	15	2400	1560	13000	0.282
6206-ZZ	6206-2RS*	30	62	16	3350	2320	11000	0.439
6207-ZZ	6207-2RS*	35	72	17	4450	3150	9000	0.635
6208-ZZ	6208-2RS*	40	80	18	5050	3650	8000	0.807
6209-ZZ	6209-2RS*	45	85	19	5650	4150	8000	0.897
6210-ZZ	6210-2RS*	50	90	20	6050	4650	7000	1.020
6211-ZZ	6211-2RS*	55	100	21	7500	5850	6000	1.340
6212-ZZ	6212-2RS*	60	110	22	9050	7250	6000	1.730
6213-ZZ	6213-2RS	65	120	23	10228	7980	5000	2.180
6214-ZZ	6214-2RS	70	125	24	10790	8430	5000	2.370
6215-ZZ	6215-2RS	75	130	25	11465	9329	5000	2.610
6216-ZZ	6216-2RS	80	140	26	12588	9891	5000	3.130
6217-ZZ	6217-2RS	85	150	28	14387	11914	4000	3.990
6218-ZZ	6218-2RS	90	160	30	15960	13488	3700	4.800
6219-ZZ	6219-2RS	95	170	32	18658	15620	3500	5.840
6220-ZZ	6220-2RS	100	180	34	20900	17980	3300	6.990
6221-ZZ	6221-2RS	105	190	36	22930	20230	3100	8.260
6222-ZZ	6222-2RS	110	200	38	24730	22480	2900	9.870
6224-ZZ	6224-2RS	120	215	40	25180	22930	2700	11.79
6226-ZZ	6226-2RS	130	230	40	29000	28100	2500	12.89
6228-ZZ	6228-2RS	140	250	42	35000	32000	2300	16.50

#### Inch Bores

Part No. 2 Shields	Part No. 2 Seals	d (in)	D (in)	B (in)	Dynamic C (lbs)	Static C <sub>0</sub> (lbs)	Max RPM	Wt. lbs
6201-ZZ-8	6201-2RS-8	1/2	1.26	0.39	1050	595	22000	0.082
6202-ZZ-10	6202-2RS-10	5/8	1.38	0.43	1340	775	20000	0.099
6203-ZZ-10	6203-2RS-10	5/8	1.57	0.47	1660	985	17000	0.143
6204-ZZ-12	6204-2RS-12	3/4	1.85	0.55	2200	1390	15000	0.234

Note: Open units, Single Shielded units (-ZZ) and Single Sealed units (2-RS) available upon request. \* Available in 400 Series Stainless Steel.

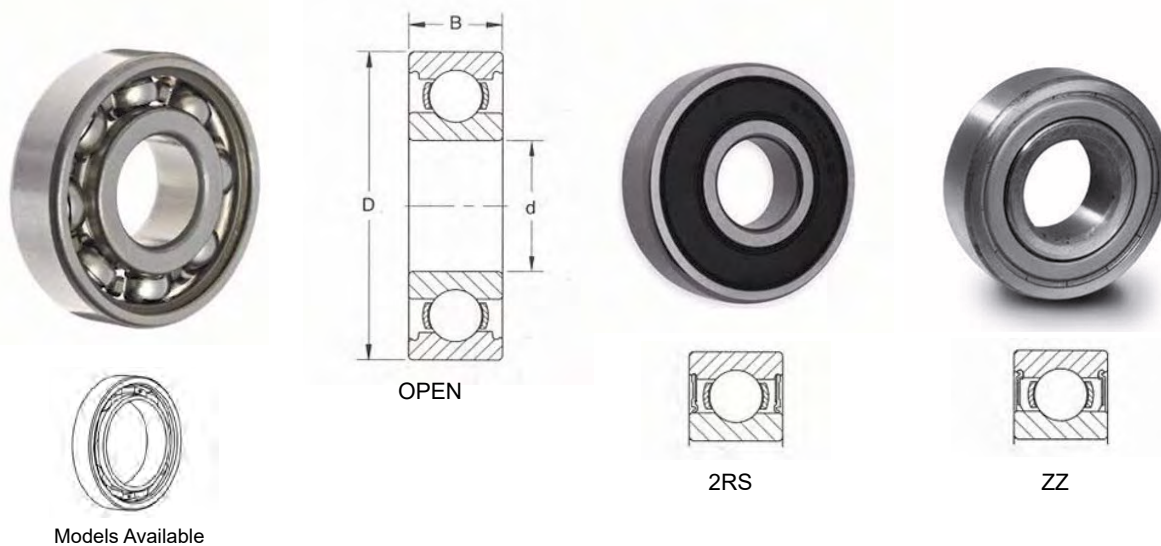
\*\*Max RPM based on light loads, shields and grease lubricated. For sealed units with grease, multiply Max RPM by 0.70. For Oil, multiply Max RPM by 1.2. Special grease and fill levels available on request.

# Radial Ball Bearings



## 6300 Series

### Open, Sealed, Shielded Single Row Radial Type



Part No. 2 Shields	Part No. 2 Seals	d (mm)	D (mm)	B (mm)	Dynamic C (lbs)	Static C <sub>0</sub> (lbs)	Max** RPM	Wt. lbs
6300-ZZ	6300-2RS*	10	35	11	1430	825	22000	0.117
6301-ZZ	6301-2RS*	12	37	12	1740	1015	20000	0.132
6302-ZZ	6302-2RS*	15	42	13	1960	1180	17000	0.181
6303-ZZ	6303-2RS*	17	47	14	2345	1430	15000	0.254
6304-ZZ	6304-2RS*	20	52	15	2750	1715	14000	0.317
6305-ZZ	6305-2RS*	25	62	17	3650	2370	11000	0.511
6306-ZZ	6306-2RS*	30	72	19	4600	3150	10000	0.763
6307-ZZ	6307-2RS*	35	80	21	5750	4050	9000	1.010
6308-ZZ	6308-2RS*	40	90	23	7050	5050	8000	1.400
6309-ZZ	6309-2RS*	45	100	25	9150	6800	7000	1.840
6310-ZZ	6310-2RS*	50	110	27	10700	8100	6000	2.360
6311-ZZ	6311-2RS*	55	120	29	13100	10110	6000	3.040
6312-ZZ	6312-2RS*	60	130	31	14150	10800	5000	3.789
6313-ZZ	6313-2RS	65	140	33	15960	12590	5000	4.648
6314-ZZ	6314-2RS	70	150	35	17980	14150	5000	5.684
6315-ZZ	6315-2RS	75	160	37	19450	15950	4000	6.873
6316-ZZ	6316-2RS	80	170	39	21350	17980	4000	8.151
6317-ZZ	6317-2RS	85	180	41	21690	18660	4000	9.517
6318-ZZ	6318-2RS	90	190	43	23380	20230	4000	11.059
6319-ZZ	6319-2RS	95	200	45	24730	22480	3000	12.822
6320-ZZ	6320-2RS	100	215	47	28550	26970	3000	15.818

Note: Open units, Single Shielded units (-ZZ) and Single Sealed units (2-RS) available upon request. \* Available in 400 Series Stainless Steel.  
 \*\*Max RPM based on shielded, grease lube and light loads. For 2RS sealed units, multiply the Max RPM by 0.70 for approx limit guidelines.  
 For Oil lubricated units, multiply the Max RPM above by 1.2. Special grease and fill levels available on request.

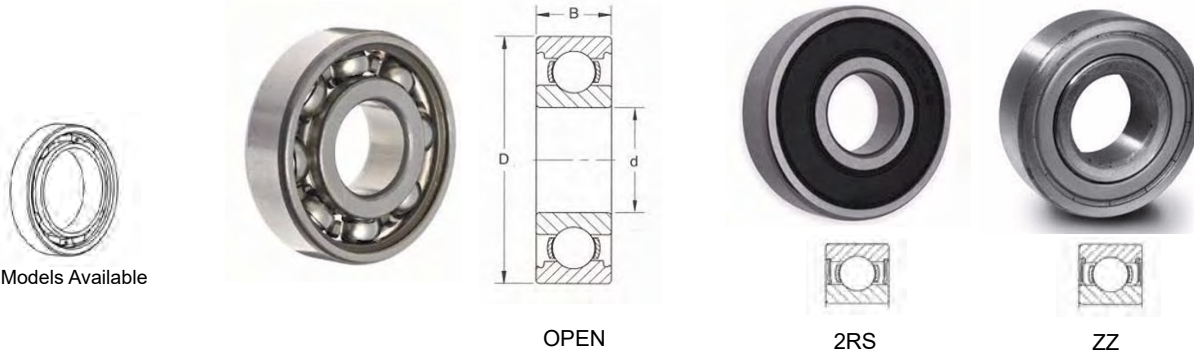


# Radial Ball Bearings



## 6900 Series

### Open, Sealed, Shielded Single Row Radial Type



#### Metric Bores

Part No. 2 Shields	Part No. 2 Seals	d (mm)	D (mm)	B (mm)	Dynamic C (lbs)	Static C <sub>0</sub> (lbs)	Max** RPM	Wt. lbs
6900-ZZ	6900-2RS*	10	22	6	605	285	34000	0.02
6901-ZZ	6901-2RS*	12	24	6	650	330	30000	0.02
6902-ZZ	6902-2RS*	15	28	7	970	475	27000	0.04
6903-ZZ	6903-2RS*	17	30	7	1030	580	22000	0.04
6904-ZZ	6904-2RS*	20	37	9	1430	825	18000	0.08
6905-ZZ	6905-2RS*	25	42	9	1580	1020	16000	0.09
6906-ZZ	6906-2RS*	30	47	9	1630	1130	14000	0.11
6907-ZZ	6907-2RS*	35	55	10	2150	1670	11000	0.16
6908-ZZ	6908-2RS*	40	62	12	3080	2245	10000	0.24
6909-ZZ	6909-2RS*	45	68	12	3180	2400	9000	0.28
6910-ZZ	6910-2RS*	50	72	12	3275	2750	8500	0.29

Note: Open units, Single Shielded units (-ZZ) and Single Sealed units (2-RS) available upon request. \* Available in 400 Series Stainless Steel.  
 \*\*Max RPM based on light loads, shields and grease lubricated. For sealed units with grease, multiply Max RPM by 0.70. For Oil, multiply Max RPM by 1.2. Special grease and fill levels available on request.  
 Larger Sizes available on request.

# Radial Ball Bearings

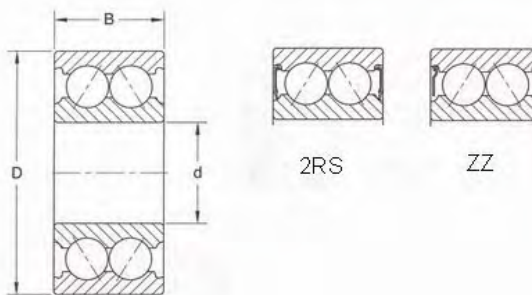


## 5200 Series

### Double Row Angular Contact Type



Models Available



OPEN

Part No. 2 Shields	Part No. 2 Seals	d (mm)	D (mm)	B (mm)	Dynamic C (lbs)	Static C <sub>0</sub> (lbs)	Max** RPM	Wt. lbs
5200-ZZ	5200-2RS	10	30	14.287	1200	755	16000	0.108
5201-ZZ	5201-2RS	12	32	15.875	1580	1030	15000	0.126
5202-ZZ	5202-2RS	15	35	15.875	1740	1180	12000	0.141
5203-ZZ	5203-2RS	17	40	17.462	2210	1540	10000	0.212
5204-ZZ	5204-2RS	20	47	20.638	3300	2410	9000	0.337
5205-ZZ	5205-2RS	25	52	20.638	3550	2710	8000	0.386
5206-ZZ	5206-2RS	30	62	23.812	4950	3900	7000	0.631
5207-ZZ	5207-2RS	35	72	26.988	6550	5300	6000	0.961
5208-ZZ	5208-2RS	40	80	30.162	7400	6100	6000	1.300
5209-ZZ	5209-2RS	45	85	30.162	8300	6900	5000	1.410
5210-ZZ	5210-2RS	50	90	30.162	8850	7700	5000	1.520
5211-ZZ	5211-2RS	55	100	33.338	9180	8490	4000	2.460
5212-ZZ	5212-2RS	60	110	36.512	13700	13200	4000	3.140
5213-ZZ	5213-2RS	65	120	38.100	14900	14700	4000	4.220
5214-ZZ	5214-2RS	70	125	39.688	16200	16000	3000	4.540
5215-ZZ	5215-2RS	75	130	41.275	17700	17100	3000	5.460
5216-ZZ	5216-2RS	80	140	44.450	18620	17900	3000	6.560

Note: Shielded, Open, Snap Ring Type (NR) available upon request. \*\* Max RPM based on light loads, grease lube, with shields or seals. For Oil lubricate, multiply the Max RPM by 1.35. Special grease and fill levels available on request

# Radial Ball Bearings

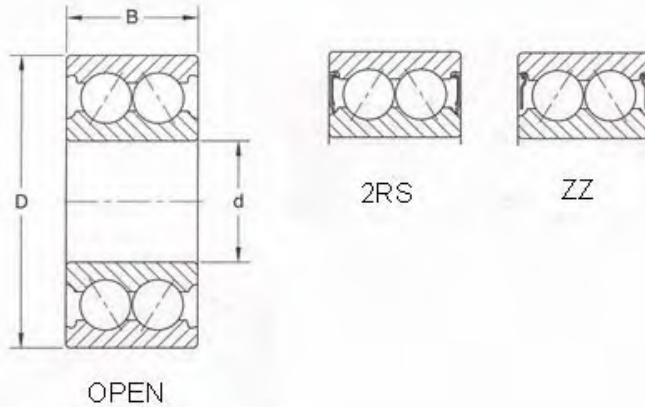


## 5300 Series

### Double Row Angular Contact Type



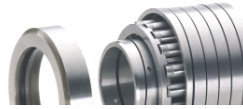
Models Available



Part No. 2 Shields	Part No. 2 Seals	d (mm)	D (mm)	B (mm)	Dynamic C (lbs)	Static C <sub>0</sub> (lbs)	Max** RPM	Wt. lbs
5300-ZZ	5300-2RS	10	35	19.050	1450	1280	10000	0.21
5301-ZZ	5301-2RS	12	37	19.050	1640	1400	10000	0.23
5302-ZZ	5302-2RS	15	42	19.050	1880	1560	10000	0.29
5303-ZZ	5303-2RS	17	47	22.225	2200	1940	10000	0.43
5304-ZZ	5304-2RS	20	52	22.225	2800	2350	9000	0.52
5305-ZZ	5305-2RS	25	62	25.400	8110	4360	8000	0.75
5306-ZZ	5306-2RS	30	72	30.163	10200	5720	6000	1.13
5307-ZZ	5307-2RS	35	80	34.925	12700	7340	6000	1.75
5308-ZZ	5308-2RS	40	90	36.513	15600	9170	5000	2.31
5309-ZZ	5309-2RS	45	100	39.688	18700	11200	5000	3.13
5310-ZZ	5310-2RS	50	110	44.450	23700	14600	4000	4.25
5311-ZZ	5311-2RS	55	120	49.213	27400	17200	4000	5.06
5312-ZZ	5312-2RS	60	130	53.975	31300	19900	3000	6.96
5313-ZZ	5313-2RS	65	140	58.738	35500	22900	3000	8.61
5314-ZZ	5314-2RS	70	150	63.500	39800	26000	3000	10.80
5315-ZZ	5315-2RS	75	160	68.263	43600	29300	3000	12.10
5316-ZZ	5316-2RS	80	170	68.263	47200	32800	2000	15.00

Note: Shielded, Open, Snap Ring Type (NR) available upon request. \*\*Max RPM based on light loads, grease lube, with shields or sealed. For Oil lubricated units, multiply the Max RPM by 1.3. Special grease and fill levels available on request.

Eich Roller Bearings, manufactured in Germany, are well respected for their ability to function in elevated temperatures while under heavy loads and severe environments. The **BR Series** spring wound, high load, high-impact solid roller design is ideally suited for foot rolls (upper segment) of continuous casters for steel mills. They are generally used on billet, slab, bloom or beam blank casters. The basic design consists of an inner spring-wound race, a set of cylindrical rollers capable of heavy radial loads and an outer spring wound race. Thrust rings on each end help contain and handle thrust. No other bearing offers these features with such load carrying flexibility. The spring wound races expand and contract naturally over a wide temperature range, yet stay tight on the shaft and within the roll on which they are assembled. The BR Series is designed to accommodate 350°C (600°F) temperatures. The wound coil provides a pathway for contaminants to escape. The compact design and simple installation make them ideally suited for such high temp applications and harsh environments.



BR Series—Solid Roller



B Series—Flexible Roller

The **B Series** Bearings with spiral wound rollers and flexible wound races allow the most extreme operating temperatures 600°C (1000°F). One version used in Tunnel Furnaces is manufactured exclusively from spring strip steel. They can withstand temperatures in excess of 450°C and absorb impacts that occur from billets or slabs contacting the rolls. A second variation has been adopted for the furnace car wheel, for example, and capable of temperatures that exceeding 500°C. These are essentially cylindrical roller bearings made of high-temperature roller bearing steel. The design of the bearings will adapt to these extreme ambient conditions to eliminate the need for frequent bearing replacement as is often the case with bronze bushed designs. So both the solid or flexible roller designs with spring wound bearing races are capable compact designs with a low sensitivity to contaminants. They are easy to install and require no heating of components.

**Installation:** Spanner wrenches of different shapes for inner and outer races, allow the installer to expand (unwind) the inner race or tighten (wind-up) the outer race, to slip inner ring onto shafts or slide outer races into housing rolls. Bearings are installed at room temperatures, so no cooling of shafts or handling hot bearings. Wrenches are provided with new orders to make installation/training simple.



Spanner Wrenches for B &amp; BR Series Installation

Additionally, an installation/training CD is also provided to demonstrate the simple procedures for both installation and removal, for inspection or for replacement procedures. Often times, B and BR Series bearings can be re-furbished and re-used, proper inspection and evaluation techniques are demonstrated, saving costly down time.



**Eich Guide Rollers** use the solid BR-Series roller design and allow re-lubrication from the shaft ends and easy installation and removal. Guide rolls specifications are generally provide by the customer. Standards do not exist. So custom units are normally designed from customer requirements and close dialogue on application requirements.



**Water-Cooled Split Bearings** are designed to handle extreme loads at elevated temperatures. The races are horizontally split and allow simple roller and race replacement without moving the equipment or rolls on which they are mounted. A classic application is a driven strand guide rollers on a continuous caster.



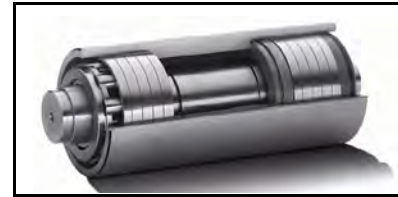
Water Cooled Split Bearings are manufactured like standard bearings, i.e. turned, heat treated and ground. The final step is the splitting of the race by wire-cut EDM, which is a non-abrasive, precise operation. Each unit under goes a full assembly and test fit prior to release. The full compliment of rollers (no cage = allows the maximum number of rollers) which provides the highest rating possible. The water cooling feature will maintain a safe bearing operating temperature while providing maximum support to the rolls. The cooling water flows around the exterior jacket of the housing allowing the bearing to function in the most severe ambient temperatures. Water inlets and outlets are provided in the base of the housing. Water cooled units are available for shaft sizes from 65mm thru 265mm.

**SACRB Bearings:** Eich also manufacturers SACRB type bearings (**Self Aligning Cylindrical Roller Bearing**). This unit combines the load carrying ability of a cylindrical bearing and the misalignment features of a spherical bearings. Together with expansion (float) capability, this bearing is one of the most versatile and capable units available. The floating unit consists of an inner race, a set of rollers and two outer races. The fixed bearing is supplied with two thrust rings. SACRB units are fully interchangeable with the toroidal roller (CARB) bearings. SACRB bearings include a full compliment of cylindrical rollers in a spherical shell with a cylindrical OD. This bearing will allow axial expansion and angular alignment all in one compact unit. The load capability of this bearing is extremely high, well beyond a comparable spherical roller bearings, due to the full compliment (maximum number possible) and extra wide rollers for the maximum load rating. SACRB Bearings are available for driven or non driven rolls. They allow higher loads than equivalent CARB Bearings. **SACRB are typically have a 10 to 25% higher rating than a comparable CARB bearing and typically 20 to 30% above the similarly sized Spherical bearings.**



**Size Range:** Eich bearings are available for 25mm shaft sizes and up to outer diameters of 600mm and anything between. Eich Bearings are well respected in the industry for being a leader in these customized, uniquely featured and highly capable spring wound bearings.

## Eich BR Series with Solid Rollers



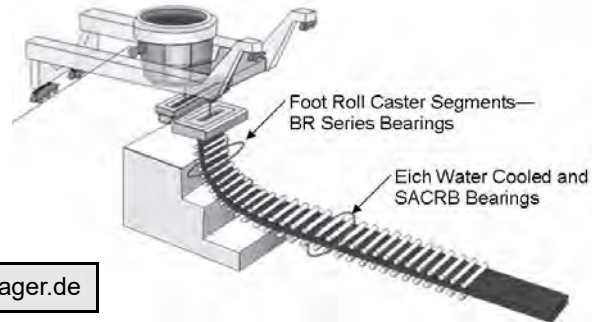
Typical caster foot roll (Uses 2 BR Series Bearings) and re-lube via shaft center

## Eich B Series with Flexible Rollers

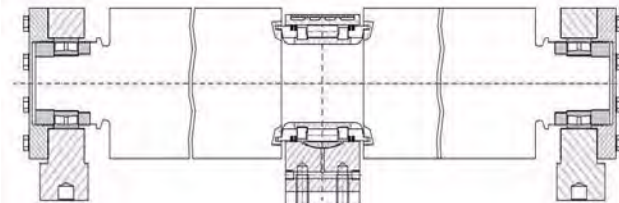


- Bearings for Extreme Conditions
- Spring Steel Coil Design - Expands with Temperature Changes and Improves Bearing Life
- Low Maintenance Costs
- Reduced Down Time

[www.eichrollenlager.de](http://www.eichrollenlager.de)



## Water Cooled Split Bearings



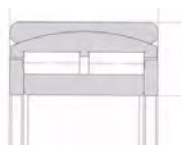
Eich Split Water Cooled Bearing on center Guide Roll

## Split Bearing Components



## SACRB Bearings:

SACRB Bearings are applied in pairs, one fixed and one float unit per shaft. The fixed Bearing can handle thrust, fixing the roll position, while the float bearing allows for expansion from the thermal growth of the shaft. Consult PTI for additional information on SACRB Units.



Fixed Construction

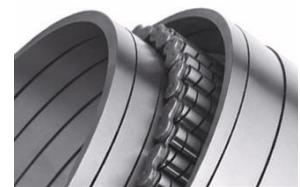


Float Construction

**Flexible Roller Chain Bearing** is a flexible bearing cage and not a drive chain. This product was developed to assist in easy installation in furnaces or waste incineration plants.



The bearing is used in elevated positions where its easy installation proves to be a crucial advantage as the flexible roller chain can be easily fitted around the journals or races then joined.



# Metric Rod Ends



Rod ends are available in a variety of types, sizes, materials and features. PTI stocks the popular versions for immediate delivery. Stock types at PTI are indicated on the following pages. Non-stock items are normally readily available from our warehouse in Europe. Custom types including high performance and hydraulic types are also available on request.

# Metric Rod Ends



Introduction

Mounted Ball Bearings

SRE / SR2 Spherical Bearings

SAF / Plummer Blocks

Brg. Accessories, Radial Ball, & Eitch Bearings

Rod Ends & Spherical Plain Bearings

Roller Chain & Sprockets

Bushings & Hubs

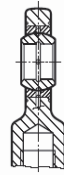
Gears & Racks

Belt Drives / Couplings

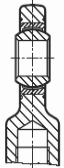
Linear Motion / WINKEL

## Internal Threads DIN ISO 12240-4

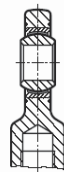
**EI..(-2RS) Type**  
Steel on Steel  
Regreasable  
Zinc Plated  
6-80mm Bores  
Compact  
Hi Multi-directional Loads



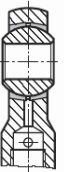
**EI..D Type**  
Maintenance Free  
Zinc Plated  
6-80mm Bores  
Compact  
Hi Unidirectional Loads



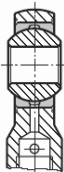
**EI..D SS Type**  
Stainless Steel (Niro)  
Maintenance Free  
6-80mm Bores  
Compact  
Hi Unidirectional Loads



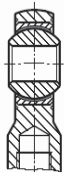
**GI Type**  
Standard  
Regreasable  
Zinc Plated  
5-25mm Bores  
Suited For Axial Loads



**GIS...GIXS...GIRS... Type**  
Heavy Duty  
Regreasable  
Zinc Plated  
2-50mm Bores  
High Speed



**GISW... GIXSW... GIRSW... Type**  
Heavy Duty  
Maintenance Free  
5-50mm Bores  
OK for Dynamic Loads



## External Threads DIN ISO 12240-4

**EA..(-2RS) Type**  
Steel on Steel  
Regreasable  
Zinc Plated  
6-80mm Bores  
Compact  
Hi Multi-directional Loads



**EA..D Type**  
Maintenance Free  
Zinc Plated  
6-80mm Bores  
Compact  
Hi Unidirectional Loads



**EA..D SS Type**  
Stainless Steel (Niro)  
Maintenance Free  
6-80mm Bores  
Compact  
Hi Unidirectional Loads



**GA Type**  
Standard  
Regreasable  
Zinc Plated  
5-25mm Bores  
Suited For Axial Loads



**GAS...GAXS...GARS...Type**  
Heavy Duty  
Regreasable  
Zinc Plated  
2-50mm Bores  
High Speed



**GASW... GAXSW... GARSW...Type**  
Heavy Duty  
Maintenance Free  
5-50mm Bores  
OK for Dynamic Loads



## Spherical Plain Bearings DIN ISO 12240-1 with / without outer ring

**GE..EC Type**  
Maintenance Free  
Steel on PTFE Liner  
6-300mm Bores  
Hi Unidirectional Loads



## Hydraulic Rod End DIN 812-8.8

**FPR..U Type**  
Regreasable  
Steel on Steel, GE..E  
20-120mm Bores  
For Short Relay Distances and Maximum Stroke.



## Corrosion Protection Accessories

**RERS & RELS Type**  
Neoprene Protector Caps  
Protects against Dust & Chemicals



Shaded units = indicates most sizes are stock. All others available from European warehouse.

# Rod Ends

## Technical / Selection Information



### Shaft and Housing Fit

Type	Bore Tolerance	Shaft Tolerance	Bearing OD Tolerance	Housing Fit Tolerance
G..Type	H7	g6	h6	J7
E..Type	H7	g7	h5	J57

**Threads:** Standard Metric ISO, DIN 13, Tolerance h6.

**Misalignment Capability:** See Individual Products.

### Internal Clearance

Type	Size	Radial Internal Clearance in mm (min/max)
El..D / EA..D	06 - 12	0.000 - 0.030
El..D - NIRO	15 - 20	0.000 - 0.040
EA..D - NIRO	25 - 35	0.000 - 0.050
	40 - 60	0.000 - 0.055
	70 - 80	0.000 - 0.060
GISW / GASW	05 - 10	0.005 - 0.030
GIXSW / GAXSW	12 - 18	0.005 - 0.035
GIRSW / GARSW	20 - 25	0.005 - 0.045
	30 - 40	0.005 - 0.055
GE..EC	06 - 12	0.032 - 0.068
	15 - 20	0.040 - 0.082
	25 - 35	0.050 - 0.100
	40 - 60	0.060 - 0.120
	70 - 80	0.072 - 0.142
GL	02 - 10	0.005 - 0.040
	12 - 18	0.010 - 0.050
	20 - 25	0.015 - 0.060
	30 - 40	0.015 - 1.075
GI / GA	02 - 10	0.005 - 0.035
GIS / GAS	12 - 20	0.010 - 0.040
GIRS / GARS	22 - 44	0.010 - 0.050

### Lubrication

Maintenance Free Rod Ends and Spherical Plain Bearings do not require lubrication. The Ball is supported by a PTFE Liner in the housing. Rod Ends are available with regreasable options on request. For GE Type Bearings that can be lubricated we recommend Re-Greasing with a Lithium Grease with a Moly Disulfide Additive.

### Temperature Range

SERIES	SURFACES	T (°C)	T (°F)
G..Type GISW / GASW GIRSW / GARSW	Steel on PTFE	-50° TO 200°	-58° TO 392°
E..Type EA..D / EI..D EA..D-NIRO / EI..D-NIRO	Steel on PTFE	-50° TO 200°	-58° TO 392°
G..Type GE..EC	Steel on PTFE	-50° TO 200°	-58° TO 392°

### Static Load Ratings $C_0$

$C_0$  is the max permissible Static Load that a Rod End can withstand without causing permanent distortion or damage. The Static Load is also used to establish the maximum axial (thrust) load during misalignment where:  $F_r$  = Radial Load,  $F_a$  = Axial or Thrust Load.

$$F_a (\text{max}) = a \cdot C_0 \quad \text{where:} \quad a = 0.5 \text{ for GI or GA Types} \\ a = 0.3 \text{ for All Others}$$

### Dynamic Load Ratings $C_n$

Dynamic Load Ratings are used to establish the working life of spherical plain bearings or rod ends under Dynamic Load conditions. Use equivalent load factors below.

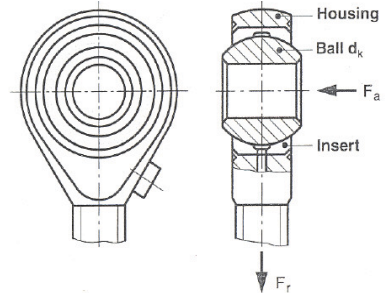
y factor

$\frac{F_a}{F_r}$	.1	.2	.3	.4	.5
y	.8	1	1.5	2.5	3

$$F_{eq} = F_r + y \cdot F_a$$

$F_r$  = Radial Load

$F_a$  = Axial Load



For Variable Loads, PTI recommends using the max load for sizing / selection purposes.

### Thermal & Load Type Service Factors

Rod Ends or Spherical Bearings that must operate in elevated temperatures or in load conditions that could be harsh, a service factor must be applied to insure proper sizing or selection. Use the factors and formula below to determine the max loads suggested.

### Temperature Factor ( $f_T$ )

Temperature	80C (175°F)	100C (212°F)	150C (300°F)	200C (392°F)	250C (480°F)
Maintenance Free	1	1	1	0.8	0.5
Re-Lube Type	1	1	0.8	0.5	0.3

### Load Type Service Factor ( $f_B$ )

Load Type	$f_B$
Steady / Uniform	1.0
Light Shock / Variable	0.5

Use the following formula to determine the max allowable load.

$$F_r (\text{max}) = C_0 \cdot f_T \cdot f_B$$

$$\text{also } F_a (\text{max}) = a \cdot F_r (\text{max})$$

If no bearing load is known in the application, the required Static Load Rating can be determined using the same formula rewritten for the Static Load:

$$C_{0 (\text{req})} \geq \frac{F_r}{f_B \cdot f_T}$$

For an expected Life Calculation, many factors contribute and an approximation is the general result, experience is also a good reference. For more details contact PTI.



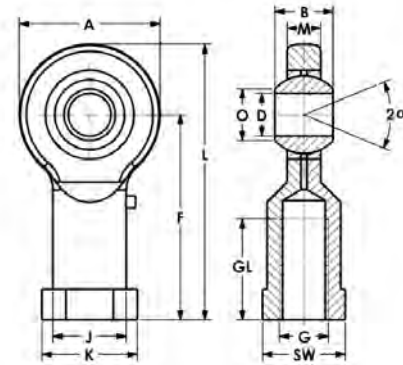
# Metric Rod Ends



## GI Type

- Standard Duty, Zinc Plated
- Grease Fitting for Re-Lube
- Right & Left Hand - Internal Threads
- Suited for Axial Loads

Models Available



**Housing:** Sizes 5-12 turned from free-cutting steel to 9SMnPb28K, 12L13, sizes 14 and up are forged from heat-treated steel to C22, M1023

**Insert:** Special brass to CuZn40Al1

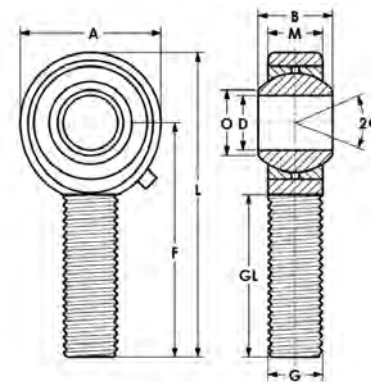
**Ball:** Bearing steel 100Cr6 (AISI 52100), hardened, ground, polished

Right Hand Part No.	Left Hand Part No.	Size D	Dimensions (mm)											Static Load C <sub>0</sub> kN	Dynamic Load C kN	Max Speed RPM	α°	Wt. g
			B	M	A	F	L	K	J	O	SW	G	GL					
GI 5	GIL 5	5	8	6.00	18	27	36	11	9.0	7.7	9	M5 x 0.8	10	9.9	2.5	900	13	18
GI 6	GIL 6	6	9	6.75	20	30	40	13	10.0	8.9	11	M6 x 1	12	11.9	3.2	760	13	27
GI 8	GIL 8	8	12	9.00	24	36	48	16	12.5	10.4	13	M8 x 1.25	16	17.1	5.4	620	14	46
GI 10	GIL 10	10	14	10.50	28	43	57	19	15.0	12.9	17	M10 x 1.5	20	21.4	7.5	500	13	76
GI 12	GIL 12	12	16	12.00	32	50	66	22	17.5	15.4	19	M12 x 1.75	22	27.0	10.0	450	13	115
GI 14	GIL 14	14	19	13.50	36	57	75	25	20.0	16.8	22	M14 x 2	25	24.5	13.0	360	16	170
GI 16	GIL 16	16	21	15.00	42	64	85	27	22.0	19.3	22	M16 x 2	28	37.0	16.0	350	15	230
GI 18	GIL 18	18	23	16.50	46	71	94	31	25.0	21.8	27	M18 x 1.5	32	43.0	19.5	320	15	320
GI 20	GIL 20	20	25	18.00	50	77	102	34	27.5	24.3	32	M20 x 1.5	33	49.5	23.5	280	14	415
GI 22	GIL 22	22	28	20.00	54	84	111	37	30.0	25.8	32	M22 x 1.5	37	57.0	29.0	250	15	540
GI 25	GIL 25	25	31	22.00	60	94	124	42	33.5	29.6	36	M24 x 2	42	68.0	35.0	230	15	750

## GA Type

- Standard Duty, Zinc Plated
- Grease Fitting for Re-Lube
- Right & Left Hand - External Threads
- Suited for Axial Loads

Models Available



**Housing:** Sizes 5-12 turned from free-cutting steel to 9SMnPb28K, 12L13  
 Sizes 14 and up are forged from heat-treated steel to C22, M1023

**Insert:** Special brass to CuZn40Al1

**Ball:** Bearing steel 100Cr6 (AISI 52100), hardened, ground, polished

Right Hand Part No.	Left Hand Part No.	Size D	Dimensions (mm)								Static Load C <sub>0</sub> kN	Dynamic Load C kN	Max Speed RPM	α°	Wt. g
			B	M	A	F	L	O	G	GL					
GA 5*	GAL 5*	5	8	6.00	18	33	42	7.7	M5 x .08	20	4.3	2.5	900	13	13
GA 6	GAL 6	6	9	6.75	20	36	46	8.9	M6 x 1	22	6.0	3.2	760	13	20
GA 8	GAL 8	8	12	9.00	24	42	54	10.4	M8 x 1.25	25	11.0	5.4	620	14	33
GA 10	GAL 10	10	14	10.50	28	48	62	12.9	M10 x 1.5	29	17.4	7.5	500	13	56
GA 12	GAL 12	12	16	12.00	32	54	70	15.4	M12 x 1.75	33	25.5	10.0	450	13	87
GA 14	GAL 14	14	19	13.50	36	60	78	16.8	M14 x 2	36	24.5	13.0	360	16	129
GA 16	GAL 16	16	21	15.00	42	66	87	19.3	M16 x 2	40	36.5	16.0	350	15	189
GA 18	GAL 18	18	23	16.50	46	72	95	21.8	M18 x 1.5	44	43.0	19.5	320	15	267
GA 20	GAL 20	20	25	18.00	50	78	103	24.3	M20 x 1.5	47	49.5	23.5	280	14	348
GA 22	GAL 22	22	28	20.00	54	84	111	25.8	M22 x 1.5	51	57.0	29.0	250	15	443
GA 25	GAL 25	25	31	22.00	60	94	124	29.6	M24 x 2	57	68.0	35.0	230	15	600

Note: \* Without grease fitting.

# Metric Rod Ends



## GIS Type

**Heavy Duty, Zinc Plated**  
**Grease Fitting for Re-Lube**  
**Right & Left Hand - Internal Threads**  
**Suited for High Speed Applications**

**Housing:** Sizes 2-12 turned from free-cutting steel to 9SMnPb28K, 12L13

Sizes 14-40 are forged from heat-treated steel to C22, M1023

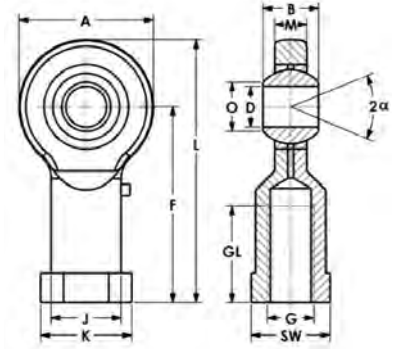
Size 50 is turned from heat-treated steel to C45, AISI 1045

**Insert:** Special high strength bronze to CuSn8

**Ball:** Bearing steel to 100Cr6 AISI 52100, hardened, ground, polished

This series is also available sealed and with CETOP dimensions for Hydraulic Cylinders

Models Available



Right Hand Part No.	Left Hand Part No.	Size D	Dimensions (mm)											Static Load C <sub>0</sub> kN	Dynamic Load C kN	Max Speed RPM	α°	Wt. g
			B	M	A	F	L	K	J	O	SW	G	GL					
GIS 2*	GILS 2*	2	4.5	3.60	9	16	20.5	4.5	3.8	2.6	4.0	M2 x 0.4	7	3.0	1.1	—	16	3
GIS 3	GILS 3	3	6.0	4.50	14	21	27.0	6.5	5.0	5.1	5.5	M3 x 0.5	10	4.1	1.8	—	14	6
GIS 5	GILS 5	5	8.0	6.00	18	27	36.0	11.0	9.0	7.7	9.0	M5 x 0.8	10	8.0	3.3	—	13	18
GIS 6	GILS 6	6	9.0	6.75	20	30	40.0	13.0	10.0	8.9	11.0	M6 x 1	12	8.9	4.3	1500	13	27
GIS 8	GILS 8	8	12.0	9.00	24	36	48.0	16.0	12.5	10.4	13.0	M8 x 1.25	16	14.1	7.1	1200	14	46
GIS 10	GILS 10	10	14.0	10.50	28	43	57.0	19.0	15.0	12.9	17.0	M10 x 1.5	20	19.3	10.0	1000	13	76
GIS 12	GILS 12	12	16.0	12.00	32	50	66.0	22.0	17.5	15.4	19.0	M12 x 1.75	22	23.5	13.5	860	13	115
GIS 14	GILS 14	14	19.0	13.50	36	57	75.0	25.0	20.0	16.8	22.0	M14 x 2	25	21.0	17.0	750	16	170
GIS 16	GILS 16	16	21.0	15.00	42	64	85.0	27.0	22.0	19.3	22.0	M16 x 2	28	32.0	21.5	660	15	230
GIS 18	GILS 18	18	23.0	16.50	46	71	94.0	31.0	25.0	21.8	27.0	M18 x 1.5	32	38.5	26.0	600	15	320
GIS 20	GILS 20	20	25.0	18.00	50	77	102.0	34.0	27.5	24.3	32.0	M20 x 1.5	33	44.0	31.5	540	14	415
GIS 22	GILS 22	22	28.0	20.00	54	84	111.0	37.0	30.0	25.8	32.0	M22 x 1.5	37	53.0	38.0	500	15	540
GIS 25	GILS 25	25	31.0	22.00	60	94	124.0	42.0	33.5	29.6	36.0	M24 x 2	42	62.0	47.0	440	15	750
GIS 30	GILS 30	30	37.0	25.0	70	110	145.0	51.0	40.0	34.8	41.0	M30 x 2	51	82.0	64.0	370	17	1130
GIS 35	GILS 35	35	43.0	28.0	80	125	165.0	58.0	46.0	37.7	50.0	M36 x 2	56	101.0	80.0	330	19	1600
GIS 40	GILS 40	40	49.0	35.0	90	142	187.0	69.0	57.0	44.2	60.0	M42 x 2	60	124.0	116.0	290	16	2770

Note: \* Without Grease Fitting. Size 50 available on request.

## GAS Type

**Heavy Duty, Zinc Plated**  
**Grease Fitting for Re-Lube**  
**Right & Left Hand - External Threads**  
**Suited for High Speed Applications**

**Housing:** Sizes 2-12 turned from free-cutting steel to 9SMnPb28K, 12L13

Sizes 14-40 are forged from heat-treated steel to C22, M1023

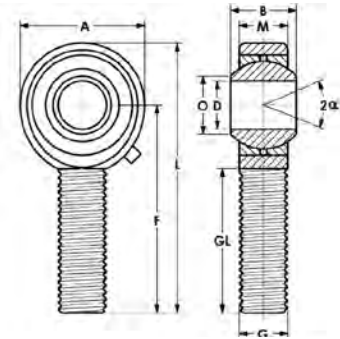
Size 50 is turned from heat-treated steel to C45, AISI 1045

**Insert:** Special high strength bronze to CuSn8

**Ball:** Bearing steel to 100Cr6, AISI 52100, hardened, ground, polished

This series is also available sealed and with CETOP dimensions for Hydraulic Cylinder

Models Available



Right Hand Part No.	Left Hand Part No.	Size D	Dimensions (mm)								Static Load C <sub>0</sub> kN	Dynamic Load C kN	Max Speed RPM	α°	Wt. g
			B	M	A	F	L	O	G	GL					
GAS 2*	GALS 2*	2	4.5	3.60	9	20	24.5	2.6	M2 x 0.4	12	0.6	1.1	—	16	3
GAS 3*	GALS 3*	3	6.0	4.50	14	26	33.0	5.1	M3 x 0.5	15	1.5	1.8	—	14	6
GAS 5*	GALS 5*	5	8.0	6.00	18	33	42.0	7.7	M5 x 0.8	20	4.3	3.3	—	13	13
GAS 6	GALS 6	6	9.0	6.75	20	36	46.0	8.9	M6 x 1	22	6.0	4.3	1500	13	20
GAS 8	GALS 8	8	12.0	9.00	24	42	54.0	10.4	M8 x 1.25	25	11.0	7.0	1200	14	33
GAS 10	GALS 10	10	14.0	10.50	28	48	62.0	12.9	M10 x 1.5	29	17.4	10.0	1000	13	56
GAS 12	GALS 12	12	16.0	12.00	32	54	70.0	15.4	M12 x 1.75	33	23.5	13.5	860	13	87
GAS 14	GALS 14	14	19.0	13.50	36	60	78.0	16.8	M14 x 2	36	21.0	17.0	750	16	129
GAS 16	GALS 16	16	21.0	15.00	42	66	87.0	19.3	M16 x 2	40	32.0	21.5	660	15	189
GAS 18	GALS 18	18	23.0	16.50	46	72	95.0	21.8	M18 x 1.5	44	38.5	26.0	600	15	267
GAS 20	GALS 20	20	25.0	18.00	50	78	103.0	24.3	M20 x 1.5	47	44.0	31.5	540	14	348
GAS 22	GALS 22	22	28.0	20.00	54	84	111.0	25.8	M22 x 1.5	51	53.0	38.0	500	15	443
GAS 25	GALS 25	25	31.0	22.00	60	94	124.0	29.6	M24 x 2	58	62.0	47.0	440	15	600
GAS 30	GALS 30	30	37.0	25.00	70	110	145.0	34.8	M30 x 2	71	82.0	64.0	370	17	1030
GAS 35	GALS 35	35	43.0	28.00	80	125	165.0	37.7	M36 x 2	73	101.0	80.0	330	19	1600
GAS 40	GALS 40	40	49.0	35.00	90	142	187.0	44.2	M42 x 2	78	124.0	116.0	290	16	2550

Note: \* Without grease fitting.

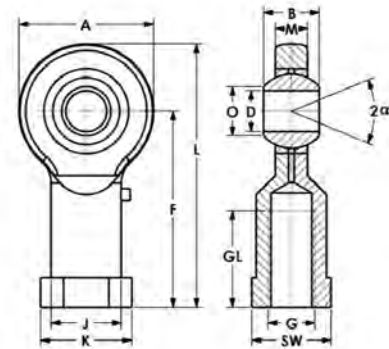
# Metric Rod Ends



## GIXS Type

- Extra Heavy Duty, Zinc Plated
- Grease Fitting for Re-Lube
- Right & Left Hand- Internal Threads
- Suited for High Pressure and Tension Loads

Models Available



**Housing:** Heat-treated 42CrMo4 steel, AISI 4140, forged  
**Insert:** Special high strength bronze to CuSn8  
**Ball:** Bearing steel 100Cr6 (AISI 52100), hardened, ground, polished  
 This series is also available sealed and with CETOP (European Fluid Power Committee) dimensions for Hydraulic Cylinders

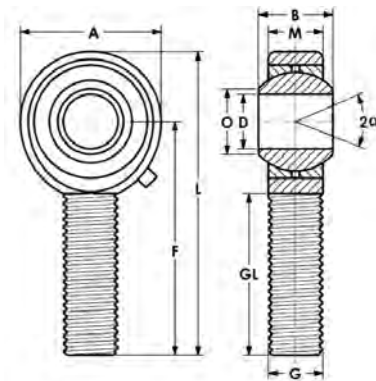
Right Hand Part No.	Left Hand Part No.	Size D	Dimensions (mm)											Static Load C <sub>0</sub> kN	Dynamic Load C kN	Max Speed RPM	α°	Wt. g
			B	M	A	F	L	K	J	O	SW	G	GL					
GIXS 6	GILXS 6	6	9	6.75	20	30	40	13	10.0	8.9	11	M6 x 1	12	16.7	4.3	1500	13	27
GIXS 8	GILXS 8	8	12	9.00	24	36	48	16	12.5	10.4	13	M8 x 1.25	16	25.5	7.1	1200	14	46
GIXS 10	GILXS 10	10	14	10.50	28	43	57	19	15.0	12.9	17	M10 x 1.5	20	34.8	10.0	1000	13	76
GIXS 12	GILXS 12	12	16	12.00	32	50	66	22	17.5	15.4	19	M12 x 1.75	22	42.0	13.3	860	13	115
GIXS 14	GILXS 14	14	19	13.50	36	57	75	25	20.0	16.8	22	M14 x 2	25	57.0	17.0	750	16	170
GIXS 16	GILXS 16	16	21	15.00	42	64	85	27	22.0	19.3	22	M16 x 2	28	67.5	21.5	660	15	230
GIXS 18	GILXS 18	18	23	16.50	46	71	94	31	25.0	21.8	27	M18 x 1.5	32	81.5	26.0	600	15	320
GIXS 20	GILXS 20	20	25	18.00	50	77	102	34	27.5	24.3	32	M20 x 1.5	33	93.5	31.5	540	14	415
GIXS 22	GILXS 22	22	28	20.00	54	84	111	37	30.0	25.8	32	M22 x 1.5	37	114.0	38.0	500	15	540
GIXS 25	GILXS 25	25	31	22.00	60	94	124	42	33.5	29.6	36	M24 x 2	42	135.0	47.0	440	15	750
GIXS 30	GILXS 30	30	37	25.00	70	110	145	51	40.0	34.8	41	M30 x 2	51	184.0	64.0	370	17	1130

Note: \* Without Grease Fitting. Size 50 available on request.

## GAXS Type

- Extra Heavy Duty, Zinc Plated
- Grease Fitting for Re-Lube
- Right & Left Hand-External Threads
- Suited for High Pressure and Tension Loads

Models Available



**Housing:** Heat-treated 42CrMo4 steel, AISI 4140, forged  
**Insert:** Special high strength bronze to CuSn8  
**Ball:** Bearing steel 100Cr6 (AISI 52100), hardened, ground, polished  
 This series is also available sealed and with CETOP (European Fluid Power Committee) dimensions for Hydraulic Cylinder

Right Hand Part No.	Left Hand Part No.	Size D	Dimensions (mm)											Static Load C <sub>0</sub> kN	Dynamic Load C kN	Max Speed RPM	α°	Wt. g
			B	M	A	F	L	O	G	GL								
GAXS 6	GALXS 6	6	9	6.75	20	36	46	8.9	M6 x 1	22	9.8	4.3	1500	13	20			
GAXS 8	GALXS 8	8	12	9.00	24	42	54	10.4	M8 x 1.25	25	19.5	7.1	1200	14	33			
GAXS 10	GALXS 10	10	14	10.50	28	48	62	12.9	M10 x 1.5	29	31.4	10.0	1000	13	56			
GAXS 12	GALXS 12	12	16	12.00	32	54	70	15.4	M12 x 1.75	33	42.0	13.5	860	13	87			
GAXS 14	GALXS 14	14	19	13.50	36	60	78	16.8	M14 x 2	36	57.0	17.0	750	16	129			
GAXS 16	GALXS 16	16	21	15.00	42	66	87	19.3	M16 x 2	40	67.5	21.5	660	15	189			
GAXS 18	GALXS 18	18	23	16.50	46	72	95	21.8	M18 x 1.5	44	81.5	26.0	600	15	267			
GAXS 20	GALXS 20	20	25	18.00	50	78	103	24.3	M20 x 1.5	47	93.5	31.5	540	14	348			
GAXS 22	GALXS 22	22	28	20.00	54	84	111	25.8	M22 x 1.5	51	114.0	38.0	500	15	443			
GAXS 25	GALXS 25	25	31	22.00	60	94	124	29.6	M24 x 2	57	135.0	47.0	440	15	600			
GAXS 30	GALXS 30	30	37	25.00	70	110	145	34.8	M30 x 2	71	184.0	64.0	370	17	1030			

Note: \* Without grease fitting.

# Metric Rod Ends

Models Available



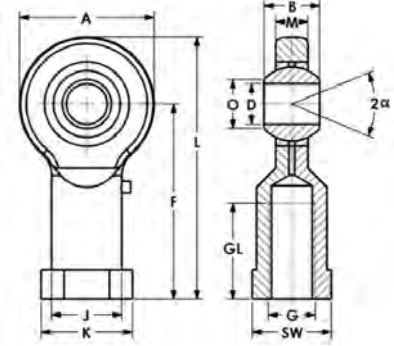
## GIRS Type

**Stainless Steel**  
**Grease Fitting for Re-Lube**  
**Right & Left Hand - Internal Threads**  
**Suited for Corrosive Environments**

**Housing:** Stainless Steel 1.4057, AISI 431, forged, polished  
 Sizes 40 made from stainless steel to 1.4057, AISI 431, turned

**Insert:** Special high strength bronze to CuSn8

**Ball:** Bearing steel 100Cr6, AISI 52100, hardened, ground, polished, hard chrome plated  
 This series is also available sealed on request



Right Hand Part No.	Left Hand Part No.	Size D	Dimensions (mm)											Static Load C <sub>o</sub> kN	Dynamic Load C kN	Max Speed RPM	α°	Wt. g
			B	M	A	F	L	K	J	O	SW	G	GL					
GIRS 3*	GILRS 3*	3	6.0	4.50	14	21	27	6.5	5.0	5.1	5.5	M3 x 0.5	10	8.0	1.8	—	14	6
GIRS 5	GILRS 5	5	8.0	6.00	18	27	36	11.0	9.0	7.7	9.0	M5 x 0.8	10	11.8	3.3	1200	13	18
GIRS 6	GILRS 6	6	9.0	6.75	20	30	40	13.0	10.0	8.9	11.0	M6 x 1.0	12	13.1	4.3	1500	13	27
GIRS 8	GILRS 8	8	12.0	9.00	24	36	48	16.0	12.5	10.4	13.0	M8 x 1.25	16	20.7	7.1	1200	14	46
GIRS 10	GILRS 10	10	14.0	10.50	28	43	57	19.0	15.0	12.9	17.0	M10 x 1.50	20	28.3	10.0	1000	13	76
GIRS 12	GILRS 12	12	16.0	12.00	32	50	66	22.0	17.5	15.4	19.0	M12 x 1.75	22	34.5	13.5	860	13	115
GIRS 14	GILRS 14	14	19.0	13.50	36	57	75	25.0	20.0	16.8	22.0	M14 x 2	25	39.5	17.0	750	16	170
GIRS 16	GILRS 16	16	21.0	15.00	42	64	85	27.0	22.0	19.3	22.0	M16 x 2	28	60.5	21.5	660	15	230
GIRS 18	GILRS 18	18	23.0	16.50	46	71	94	31.0	25.0	21.8	27.0	M18 x 1.5	32	73.0	26.0	600	15	320
GIRS 20	GILRS 20	20	25.0	18.00	50	77	102	34.0	27.5	24.3	32.0	M20 x 1.5	33	83.0	31.5	540	14	415
GIRS 22	GILRS 22	22	28.0	20.00	54	84	111	37.0	30.0	25.8	32.0	M22 x 1.5	37	100.0	38.0	500	15	540
GIRS 25	GILRS 25	25	31.0	22.00	60	94	124	42.0	33.5	29.6	36.0	M24 x 2	42	118.0	47.0	440	15	750
GIRS 30	GILRS 30	30	37.0	25.00	70	110	145	51.0	40.0	34.8	41.0	M30 x 2	51	155.0	64.0	370	17	1130
GIRS 35	GILRS 35	35	43.0	28.00	80	125	165	58.0	46.0	37.7	50.0	M36 x 2	56	191.0	80.0	330	19	1600
GIRS 40	GILRS 40	40	49.0	35.00	90	142	187	69.0	57.0	44.2	60.0	M42 x 2	60	235.0	116.0	290	16	2770

Note: \* Without Lube Fitting

## GARS Type

**Stainless Steel**  
**Grease Fitting for Re-Lube**  
**Right & Left Hand - External Threads**  
**Suited for Corrosive Environments**

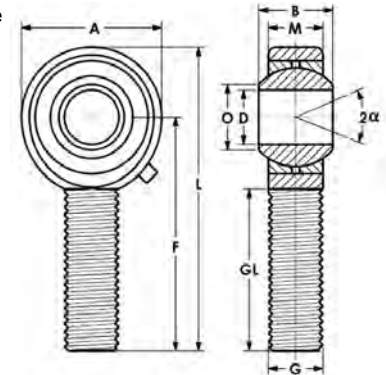
**Housing:** Stainless Steel 1.4057, AISI 431, forged, polished  
 Sizes 40 made from stainless steel to 1.4057, AISI 431, turned

**Insert:** Special high strength bronze to CuSn8

**Ball:** Bearing steel 100Cr6, AISI 52100, hardened, ground, polished, hard chrome plated  
 This series is also available sealed on request



Models Available



Right Hand Part No.	Left Hand Part No.	Size D	Dimensions (mm)								Static Load C <sub>o</sub> kN	Dynamic Load C kN	Max Speed RPM	α°	Wt. g
			B	M	A	F	L	O	G	GL					
GARS 3*	GALRS 3*	3	6.0	4.50	14	26	33.0	5.1	M3 x 0.5	15	7.0	1.8	—	14	6
GARS 5*	GALRS 5*	5	8.0	6.00	18	33	42.0	7.7	M5 x 0.8	20	6.2	3.3	—	13	13
GARS 6	GALRS 6	6	9.0	6.75	20	36	46.0	8.9	M6 x 1.0	22	8.8	4.3	1500	13	20
GARS 8	GALRS 8	8	12.0	9.00	24	42	54.0	10.4	M8 x 1.25	25	16.1	7.0	1200	14	33
GARS 10	GALRS 10	10	14.0	10.50	28	48	62.0	12.9	M10 x 1.5	29	25.5	10.0	1000	13	56
GARS 12	GALRS 12	12	16.0	12.00	32	54	70.0	15.4	M12 x 1.75	33	34.5	13.5	860	13	87
GARS 14	GALRS 14	14	19.0	13.50	36	60	78.0	16.8	M14 x 2	36	39.5	17.0	750	16	129
GARS 16	GALRS 16	16	21.0	15.00	42	66	87.0	19.3	M16 x 2	40	60.5	21.5	660	15	189
GARS 18	GALRS 18	18	23.0	16.50	46	72	95.0	21.8	M18 x 1.5	44	73.0	26.0	600	15	267
GARS 20	GALRS 20	20	25.0	18.00	50	78	103.0	24.3	M20 x 1.5	47	83.0	31.5	540	14	348
GARS 22	GALRS 22	22	28.0	20.00	54	84	111.0	25.8	M22 x 1.5	51	100.0	38.0	500	15	443
GARS 25	GALRS 25	25	31.0	22.00	60	94	124.0	29.6	M24 x 2	58	118.0	47.0	440	15	600
GARS 30	GALRS 30	30	37.0	25.00	70	110	145.0	34.8	M30 x 2	71	155.0	64.0	370	17	1030
GARS 35	GALRS 35	35	43.0	28.00	80	125	165.0	37.7	M36 x 2	73	191.0	80.0	330	19	1600
GARS 40	GALRS 40	40	49.0	35.00	90	142	187.0	44.2	M42 x 2	78	235.0	116.0	290	16	2570

Note: \* Without Lube Fitting

# Metric Rod Ends



## GISW Type

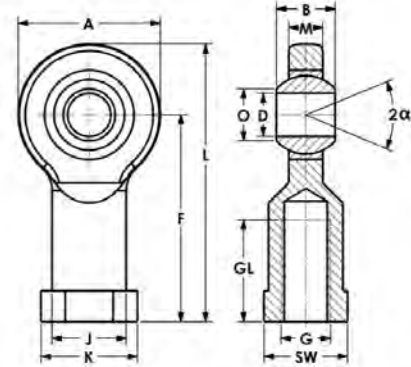
- Maintenance Free
- PTFE Teflon Liner
- Zinc Plated
- Right & Left Hand - Internal Threads
- Suited for Dynamic Loads

**Housing:** Sizes 5-12 turned from free-cutting steel to 9SMnPb28K, 12L13  
 Sizes 14-40 are forged from heat-treated steel to C22, M1023  
 Size 50 turned from C45, AISI 1045, heat-treated steel

**Insert:** Free-cutting steel to 9SMnPb28K, 12L13, with PTFE teflon liner bonded to the inner surface

**Ball:** Bearing steel 100Cr6 (AISI 52100), hardened, ground, polished  
 Sizes 8-20 available as a sealed version on request

Models Available



Right Hand Part No.	Left Hand Part No.	Size D	Dimensions (mm)											Static Load C <sub>s</sub> kN	Dynamic Load C <sub>d</sub> kN	Max Speed RPM *	α°	Wt. g
			B	M	A	F	L	K	J	O	SW	G	GL					
GISW 5	GILSW 5	5	8	6.00	18	27	36	11	9.0	7.7	9	M5 x 0.8	10	8.0	7.5	600	13	18
GISW 6	GILSW 6	6	9	6.75	20	30	40	13	10.0	8.9	11	M6 x 1.0	12	8.9	9.3	530	13	27
GISW 8	GILSW 8	8	12	9.00	24	36	48	16	12.5	10.4	13	M8 x 1.25	16	14.1	16.7	420	14	46
GISW 10	GILSW 10	10	14	10.50	28	43	57	19	15.0	12.9	17	M10 x 1.5	20	19.3	23.4	350	13	76
GISW 12	GILSW 12	12	16	12.00	32	50	66	22	17.5	15.4	19	M12 x 1.75	22	23.5	32.0	300	13	115
GISW 14	GILSW 14	14	19	13.50	36	57	75	25	20.0	16.8	22	M14 x 2	25	21.0	42.0	260	16	170
GISW 16	GILSW 16	16	21	15.00	42	64	85	27	22.0	19.3	22	M16 x 2	28	32.0	52.5	230	15	230
GISW 18	GILSW 18	18	23	16.50	46	71	94	31	25.0	21.8	27	M18 x 1.5	32	38.5	64.0	210	15	320
GISW 20	GILSW 20	20	25	18.00	50	77	102	34	27.5	24.3	32	M20 x 1.5	33	44.0	78.0	190	14	415
GISW 22	GILSW 22	22	28	20.00	54	84	111	37	30.0	25.8	32	M22 x 1.5	37	53.0	97.0	170	15	540
GISW 25	GILSW 25	25	31	22.00	60	94	124	42	33.5	29.6	36	M24 x 2	42	62.0	122.0	150	15	750
GISW 30	GILSW 30	30	37	25.00	70	110	145	51	40.0	34.8	41	M30 x 2	51	82.0	168.0	130	17	1130
GISW 35	GILSW 35	35	43	28.00	80	125	165	58	46.0	37.7	50	M36 x 2	56	101.0	206.0	110	19	1600
GISW 40	GILSW 40	40	49	35.00	90	142	187	69	57.0	44.2	60	M42 x 2	60	124.0	286.0	100	16	2770

Note: \* Only recommended for short term revolutions. Size 50 available on request.

## GASW Type

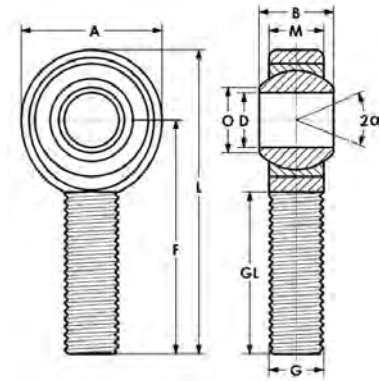
- Maintenance Free
- PTFE Teflon Liner
- Zinc Plated
- Right & Left Hand - External Threads
- Suited for Dynamic Loads

**Housing:** Sizes 5-12 turned from free-cutting steel to 9SMnPb28K, 12L13  
 Sizes 14-40 are forged from heat-treated steel to C22, M1023  
 Size 50 turned from C45, AISI 1045, heat-treated steel

**Insert:** Free-cutting steel to 9SMnPb28K, 12L13, with PTFE Teflon liner bonded to the inner surface

**Ball:** Bearing steel 100Cr6 (AISI 52100), hardened, ground, polished  
 Sizes 8-20 available as a sealed version on request

Models Available



Right Hand Part No.	Left Hand Part No.	Size D	Dimensions (mm)								Static Load C <sub>s</sub> kN	Dynamic Load C <sub>d</sub> kN	Max Speed RPM *	α°	Wt. g
			B	M	A	F	L	O	G	GL					
GASW 5	GALSW 5	5	8	6.00	18	33	42	7.7	M5 x 0.8	20	4.3	7.5	600	13	13
GASW 6	GALSW 6	6	9	6.75	20	36	46	8.9	M6 x 1.0	22	6.0	9.3	530	13	20
GASW 8	GALSW 8	8	12	9.00	24	42	54	10.4	M8 x 1.25	25	11.0	16.7	420	14	33
GASW 10	GALSW 10	10	14	10.50	28	48	62	12.9	M10 x 1.50	29	17.4	23.4	350	13	56
GASW 12	GALSW 12	12	16	12.00	32	54	70	15.4	M12 x 1.75	33	23.5	32.0	300	13	87
GASW 14	GALSW 14	14	19	13.50	36	60	78	16.8	M14 x 2	36	21.0	42.0	260	16	129
GASW 16	GALSW 16	16	21	15.00	42	66	87	19.3	M16 x 2	40	32.0	52.5	230	15	189
GASW 18	GALSW 18	18	23	16.50	46	72	95	21.8	M18 x 1.5	44	38.5	64.0	210	15	267
GASW 20	GALSW 20	20	25	18.00	50	78	103	24.3	M20 x 1.5	47	44.0	78.0	190	14	348
GASW 22	GALSW 22	22	28	20.00	54	84	111	25.8	M22 x 1.5	51	53.0	97.0	170	15	443
GASW 25	GALSW 25	25	31	22.00	60	94	124	29.6	M24 x 2	58	62.0	122.0	150	15	600
GASW 30	GALSW 30	30	37	25.00	70	110	145	34.8	M30 x 2	71	82.0	168.0	130	17	1030
GASW 35	GALSW 35	35	43	28.00	80	125	165	37.7	M36 x 2	73	101.0	206.0	110	19	1600
GASW 40	GALSW 40	40	49	35.00	90	142	187	44.2	M42 x 2	78	124.0	286.0	100	16	2570

Note: \* Only recommended for short term revolutions. Size 50 available on request.

# Metric Rod Ends

Models Available



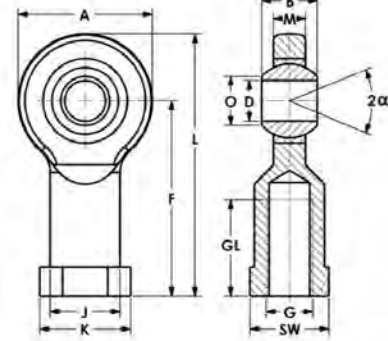
## GIXSW Type

- Heat Treated Steel
- Maintenance Free
- PTFE Teflon Liner
- Right & Left Hand - Internal Threads
- Suited for High Pressure and Tension Loads

**Housing:** Heat -treated 42CrMo4, AISI 4140, forged

**Insert:** Free-cutting steel 9SMnPb28K, 12L13, with PTFE teflon liner bonded to the inner surface

**Ball:** Bearing steel 100Cr6, AISI 52100, hardened, ground, polished  
Sealed version available on request



Right Hand Part No.	Left Hand Part No.	Size D	Dimensions (mm)										Static Load C <sub>0</sub> kN	Dynamic Load C kN	Max Speed RPM *	α°	Wt. g	
			B	M	A	F	L	K	J	O	SW	G						GL
GIXSW 6	GILXSW 6	6	9	6.75	20	30	40	13	10.0	8.9	11	M6 x 1.0	12	16.7	9.3	530	13	27
GIXSW 8	GILXSW 8	8	12	9.00	24	36	48	16	12.5	10.4	13	M8 x 1.25	16	25.5	16.7	420	14	46
GIXSW 10	GILXSW 10	10	14	10.50	28	43	57	19	15.0	12.9	17	M10 x 1.5	20	34.8	23.4	350	13	76
GIXSW 12	GILXSW 12	12	16	12.00	32	50	66	22	17.5	15.4	19	M12 x 1.75	22	42.0	32.0	300	13	115
GIXSW 14	GILXSW 14	14	19	13.50	36	57	75	25	20.0	16.8	22	M14 x 2	25	57.0	42.0	260	16	170
GIXSW 16	GILXSW 16	16	21	15.00	42	64	85	27	22.0	19.3	22	M16 x 2	28	67.5	52.5	230	15	230
GIXSW 18	GILXSW 18	18	23	16.50	46	71	94	31	25.0	21.8	27	M18 x 1.5	32	81.5	64.0	210	15	320
GIXSW 20	GILXSW 20	20	25	18.00	50	77	102	34	27.5	24.3	32	M20 x 1.5	33	93.5	78.0	190	14	415
GIXSW 22	GILXSW 22	22	28	20.00	54	84	111	37	30.0	25.8	32	M22 x 1.5	37	114.0	97.0	170	15	540
GIXSW 25	GILXSW 25	25	31	22.00	60	94	124	42	33.5	29.6	36	M24 x 2	42	135.0	122.0	150	15	750
GIXSW 30	GILXSW 30	30	37	25.00	70	110	145	51	40.0	34.8	41	M30 x 2	51	184.0	168.0	130	17	1130

Note: \* Without Lube Fitting

## GAXSW Type

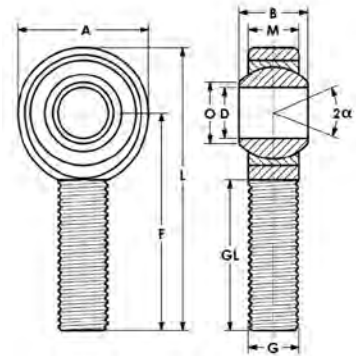
- Heat Treated Steel
- Maintenance Free
- PTFE Teflon Liner
- Right & Left Hand - External Threads
- Suited for High Pressure and Tension Loads

**Housing:** Heat -treated 42CrMo4, AISI 4140, forged

**Insert:** Free-cutting steel 9SMnPb28K, 12L13, with PTFE teflon liner bonded to the inner surface

**Ball:** Bearing steel 100Cr6, AISI 52100, hardened, ground, polished  
Sealed version available on request

Models Available



Right Hand Part No.	Left Hand Part No.	Size D	Dimensions (mm)										Static Load C <sub>0</sub> kN	Dynamic Load C kN	Max Speed RPM *	α°	Wt. g
			B	M	A	F	L	O	G	GL							
GAXSW 6	GALXSW 6	6	9	6.75	20	36	46	8.9	M6 x 1.0	22	9.8	9.3	530	13	20		
GAXSW 8	GALXSW 8	8	12	9.00	24	42	54	10.4	M8 x 1.25	25	19.5	16.7	420	14	33		
GAXSW 10	GALXSW 10	10	14	10.50	28	48	62	12.9	M10 x 1.5	29	31.4	23.4	350	13	56		
GAXSW 12	GALXSW 12	12	16	12.00	32	54	70	15.4	M12 x 1.75	33	42.0	32.0	300	13	87		
GAXSW 14	GALXSW 14	14	19	13.50	36	60	78	16.8	M14 x 2	36	57.0	42.0	260	16	129		
GAXSW 16	GALXSW 16	16	21	15.00	42	66	87	19.3	M16 x 2	40	67.5	52.5	230	15	189		
GAXSW 18	GALXSW 18	18	23	16.50	46	72	95	21.8	M18 x 1.5	44	81.5	64.0	210	15	267		
GAXSW 20	GALXSW 20	20	25	18.00	50	78	103	24.3	M20 x 1.5	47	93.5	78.0	190	14	348		
GAXSW 22	GALXSW 22	22	28	20.00	54	84	111	25.8	M22 x 1.5	51	114.0	97.0	170	15	443		
GAXSW 25	GALXSW 25	25	31	22.00	60	94	124	29.6	M24 x 2	57	135.0	122.0	150	15	600		
GAXSW 30	GALXSW 30	30	37	25.00	70	110	145	34.8	M30 x 2	71	184.0	168.0	130	17	1030		

Note: \* Without Lube Fitting

# Metric Rod Ends

Models Available



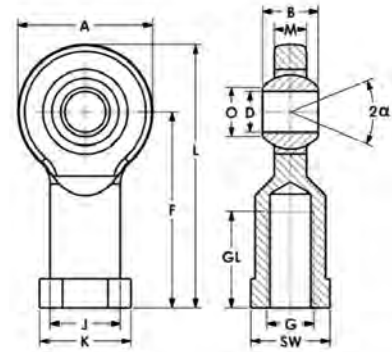
## GIRSW Type

- Stainless Steel
- Maintenance Free
- PTFE Teflon Liner
- Right & Left Hand - Internal Threads
- Suited for High Dynamic Pressure and Tension Loads in Corrosive Environment

**Housing:** Stainless Steel 1.4057, AISI 431, forged, polished  
Size 40 turned from stainless steel 1.4057, AISI 431

**Insert:** Special high strength bronze CuSn8 with PTFE teflon liner bonded to the inner surface

**Ball:** Bearing steel 100Cr6, AISI 52100, hardened, ground, polished, hard chrome plated  
On request: Insert: Stainless steel 1.4571, AISI 316Ti Ball: Stainless steel 1.4034, AISI 420C hardened, ground, polished or in stainless steel 1.4401, AISI 316 ground, polished



Right Hand Part No.	Left Hand Part No.	Size D	Dimensions (mm)											Static Load C <sub>0</sub> kN	Dynamic Load C kN	Max Speed RPM **	α°	Wt. g
			B	M	A	F	L	K	J	O	SW	G	GL					
GIRSW 4*	GILRSW 4*	4	7	5.25	14	24	31	9.5	7.8	6.5	8	M4 x 0.7	12	7.0	5.3	—	14	11
GIRSW 5	GILRSW 5	5	8	6.00	18	27	36	11.0	9.0	7.7	9	M5 x 0.8	10	8.0	6.0	600	13	18
GIRSW 6	GILRSW 6	6	9	6.75	20	30	40	13.0	10.0	8.9	11	M6 x 1	12	9.0	6.8	530	13	27
GIRSW 8	GILRSW 8	8	12	9.00	24	36	48	16.0	12.5	10.4	13	M8 x 1.25	16	12.0	9.0	420	14	46
GIRSW 10	GILRSW 10	10	14	10.50	28	43	57	19.0	15.0	12.9	17	M10 x 1.5	20	28.3	23.4	350	13	76
GIRSW 12	GILRSW 12	12	16	12.00	32	50	66	22.0	17.5	15.4	19	M12 x 1.75	22	34.5	32.0	300	13	115
GIRSW 14	GILRSW 14	14	19	13.50	36	57	75	25.0	20.0	16.8	22	M14 x 2	25	39.5	42.0	260	16	170
GIRSW 16	GILRSW 16	16	21	15.00	42	64	85	27.0	22.0	19.3	22	M16 x 2	28	60.5	52.5	230	15	230
GIRSW 18	GILRSW 18	18	23	16.50	46	71	94	31.0	25.0	21.8	27	M18 x 1.5	32	73.0	64.0	210	15	320
GIRSW 20	GILRSW 20	20	25	18.00	50	77	102	34.0	27.5	24.3	32	M20 x 1.5	33	83.0	78.0	190	14	415
GIRSW 22	GILRSW 22	22	28	20.00	54	84	111	37.0	30.0	25.8	32	M22 x 1.5	37	100.0	97.0	170	15	540
GIRSW 25	GILRSW 25	25	31	22.00	60	94	124	42.0	33.5	29.6	36	M24 x 2	42	118.0	122.0	150	15	750
GIRSW 30	GILRSW 30	30	37	25.00	70	110	145	51.0	40.0	34.8	41	M30 x 2	51	155.0	168.0	130	17	1130
GIRSW 35	GILRSW 35	35	43	28.00	80	125	165	58.0	46.0	37.7	50	M36 x 2	56	191.0	206.0	110	19	1600
GIRSW 40	GILRSW 40	40	49	35.00	90	142	187	69.0	57.0	44.2	60	M42 x 2	60	235.0	286.0	100	16	2770

Note: \* Size 4 on request and housing from AISI 303. \*\*Only recommended for short term revolutions.

## GAXS Type

- Extra Heavy Duty, Zinc Plated
- Grease Fitting for Re-Lube
- Right & Left Hand-External Threads
- Suited for High Pressure and Tension Loads

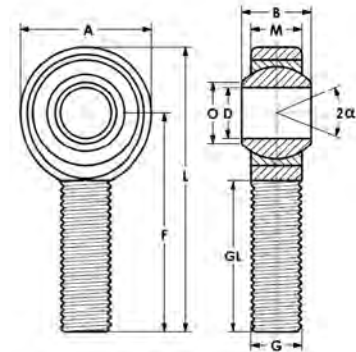
**Housing:** Heat-treated 42CrMo4 steel, AISI 4140, forged

**Insert:** Special high strength bronze to CuSn8

**Ball:** Bearing steel 100Cr6 (AISI 52100), hardened, ground, polished  
This series is also available sealed and with CETOP

(European Fluid Power Committee) dimensions for Hydraulic Cylinder

Models Available



Right Hand Part No.	Left Hand Part No.	Size D	Dimensions (mm)											Static Load C <sub>0</sub> kN	Dynamic Load C kN	Max Speed RPM **	α°	Wt. g
			B	M	A	F	L	O	G	GL								
GARSW 4*	GALRSW 4*	4	7	5.25	14	30	37	6.5	M4 x 0.7	19	1.3	0.8	—	14	9			
GARSW 5	GALRSW 5	5	8	6.00	18	33	42	7.7	M5 x 0.8	20	6.2	7.5	600	13	13			
GARSW 6	GALRSW 6	6	9	6.75	20	36	46	8.9	M6 x 1	22	8.8	9.3	530	13	20			
GARSW 8	GALRSW 8	8	12	9.00	24	42	54	10.4	M8 x 1.25	25	16.1	16.7	420	14	33			
GARSW 10	GALRSW 10	10	14	10.50	28	48	62	12.9	M10 x 1.5	29	25.5	23.4	350	13	56			
GARSW 12	GALRSW 12	12	16	12.00	32	54	70	15.4	M12 x 1.75	33	34.5	32.0	300	13	87			
GARSW 14	GALRSW 14	14	19	13.50	36	60	78	16.8	M14 x 2	36	39.5	42.0	260	16	129			
GARSW 16	GALRSW 16	16	21	15.00	42	66	87	19.3	M16 x 2	40	60.5	52.5	230	15	189			
GARSW 18	GALRSW 18	18	23	16.50	46	72	95	21.8	M18 x 1.5	44	73.0	64.0	210	15	267			
GARSW 20	GALRSW 20	20	25	18.00	50	78	103	24.3	M20 x 1.5	47	83.0	78.0	190	14	348			
GARSW 22	GALRSW 22	22	28	20.00	54	84	111	25.8	M22 x 1.5	51	100.0	97.0	170	15	443			
GARSW 25	GALRSW 25	25	31	22.00	60	94	124	29.6	M24 x 2	58	118.0	122.0	150	15	600			
GARSW 30	GALRSW 30	30	37	25.00	70	110	145	34.8	M30 x 2	71	155.0	168.0	130	17	1030			
GARSW 35	GALRSW 35	35	43	28.00	80	125	165	37.7	M36 x 2	73	191.0	206.0	110	19	1600			
GARSW 40	GALRSW 40	40	49	35.00	90	142	187	44.2	M42 x 2	78	235.0	286.0	100	16	2570			

Note: \* Size 4 on request and housing from AISI 303. \*\*Only recommended for short term revolutions

# Metric Rod Ends



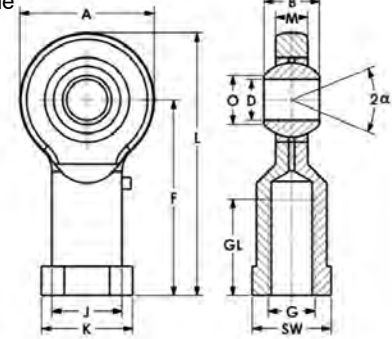
## EI Type

**Steel on Steel**  
**Grease Fitting for Re-Lube**  
**Right & Left Hand-Internal Threads**  
**Suited for High Multi-directional Loads and Narrow Width**

**Housing:** Sizes 6-10 turned from free-cutting steel to 9SMnPb28K, 12L13  
 Sizes 12 and up forged from heat-treated steel to C45, AISI 1045

**Bearing:** Steel on steel bearing GE...E, requiring lubrication  
 Size 20 and up available sealed from both sides (-2RS)  
 Size 6-17 without grease fitting  
 Size 20 and up with grease fitting  
 Size 20, 25 & 30 available with or without 2RS Seals  
 Size 35 and larger all with 2RS Seals

Models Available



Right Hand Part No.	Left Hand Part No.	Size D	Dimensions (mm)											Static Load C <sub>o</sub> kN	Dynamic Load C kN	Max Speed RPM	α°	Wt. g
			B	M	A	F	L	K	J	O	SW	G	GL					
EI 6	EIL 6	6	6	4.4	20	30	40.0	13	10.0	8.0	11	M6 x 1	12	10.3	3.4	13	13	21
EI 8	EIL 8	8	8	6.0	24	36	48.0	16	12.5	10.2	14	M8 x 1.25	16	15.8	5.5	15	14	38
EI 10	EIL 10	10	9	7.0	28	43	57.0	19	15.0	13.2	17	M10 x 1.5	20	23.4	8.1	12	13	60
EI 12	EIL 12	12	10	8.0	34	50	67.0	22	17.5	14.9	19	M12 x 1.75	23	31.0	10.8	11	13	96
EI 15	EIL 15	15	12	10.0	40	61	81.0	26	21.0	18.4	22	M14 x 2	29	42.5	17.0	8	16	180
EI 16	EIL 16	16	14	11.0	46	67	90.0	30	24.0	20.7	27	M16 x 2	33	54.5	21.2	10	15	220
EI 17	EIL 17	17	14	11.0	46	67	90.0	30	24.0	20.7	27	M16 x 2	33	54.5	21.2	10	15	220
EI 20 (-2RS)*	EIL 20 (-2RS)*	20	16	13.0	53	77	103.5	35	27.5	24.2	32	M20 x 1.5	40	62.5	30.0	9	14	350
EI 25 (-2RS)*	EIL 25 (-2RS)*	25	20	17.0	64	94	126.0	42	33.5	29.3	36	M24 x 2	48	92.0	48.0	7	15	640
EI 30 (-2RS)*	EIL 30 (-2RS)*	30	22	19.0	73	110	146.5	50	40.0	34.2	41	M30 x 2	56	124.0	62.0	6	17	930
EI 35 -2RS	EIL 35 -2RS	35	25	21.0	82	125	166.0	58	47.0	39.8	50	M36 x 3	60	144.0	80.0	6	19	1300
EI 40 -2RS	EIL 40 -2RS	40	28	23.0	92	142	188.0	65	52.0	45.0	55	M39 x 3	65	178.0	100.0	7	16	2000

Note: Size 45,50,60,70 and 80mm units available on request. \* Available with or without seals.

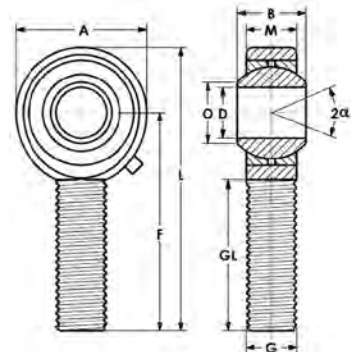
## EA Type

**Steel on Steel**  
**Grease Fitting for Re-Lube**  
**Right & Left Hand-External Threads**  
**Suited for High Multi-directional Loads and Narrow Width**

**Housing:** Sizes 6-10 turned from free-cutting steel to 9SMnPb28K, 12L13  
 Sizes 12 and up forged from heat-treated steel to C45, AISI 1045

**Bearing:** Steel on steel bearing GE...E, requiring lubrication  
 Size 20 and up available sealed from both sides (-2RS)  
 Size 6-17 without grease fitting  
 Size 20 and up with grease fitting  
 Size 20, 25 & 30 available with or without 2RS Seals  
 Size 35 and larger all with 2RS Seals

Models Available



Right Hand Part No.	Left Hand Part No.	Size D	Dimensions (mm)								Static Load C <sub>o</sub> kN	Dynamic Load C kN	Max Speed RPM	α°	Wt. g
			B	M	A	F	L	O	G	GL					
EA 6	EAL 6	6	6	4.4	20	36	46.0	8.0	M6 x 1	18	6.9	3.4	13	13	16
EA 8	EAL 8	8	8	6.0	24	42	54.0	10.2	M8 x 1.25	22	12.7	5.5	15	14	28
EA 10	EAL 10	10	9	7.0	28	48	62.0	13.2	M10 x 1.5	26	19.9	8.1	12	13	50
EA 12	EAL 12	12	10	8.0	34	54	71.0	14.9	M12 x 1.75	28	29.0	10.8	11	13	86
EA 15	EAL 15	15	12	10.0	40	63	83.0	18.4	M14 x 2	34	39.5	17.0	8	16	140
EA 16	EAL 16	16	14	11.0	46	69	92.0	20.7	M16 x 2	36	54.0	21.2	10	15	190
EA 17	EAL 17	17	14	11.0	46	69	92.0	20.7	M16 x 2	36	54.0	21.2	10	15	190
EA 20 (-2RS)*	EAL 20 (-2RS)*	20	16	13.0	53	78	104.5	24.2	M20 x 1.5	43	62.5	30.0	9	14	320
EA 25 (-2RS)*	EAL 25 (-2RS)*	25	20	17.0	64	94	126.0	29.3	M24 x 2	43	92.0	48.0	7	15	560
EA 30 (-2RS)*	EAL 30 (-2RS)*	30	22	19.0	73	110	146.5	34.2	M30 x 2	65	124.0	62.0	6	17	890
EA 35 -2RS	EAL 35 -2RS	35	25	21.0	82	140	181.0	39.8	M36 x 3	82	144.0	80.0	6	19	1400
EA 40 -2RS	EAL 40 -2RS	40	28	23.0	92	150	196.0	45.0	M39 x 3	86	178.0	100.0	7	16	1800

Note: \*Only recommended for short term revolutions. Size 35 available on request.



# Metric Rod Ends



## EI..D Type

- Steel-Zinc Plated
- Maintenance Free
- Right & Left Hand-Internal Threads
- Suited for High Uni-directional Loads and Narrow Width

**Housing:** Up to size 10 turned, from free-cutting steel to 9SMnPb28K, 12L13

From size 12 forged, from heat-treated steel to C45, AISI 1045

**Bearing:** maintenance free steel / PTFE teflon bearing GE...EC

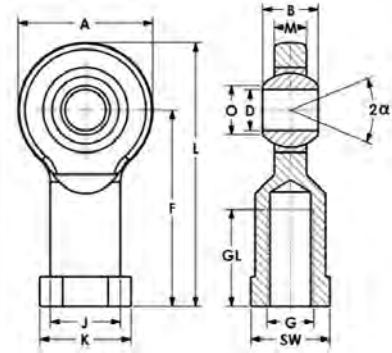
From size 20 available sealed from both sides (-2RS)

From size 35 only available sealed from both sides (-2RS)

Size 20, 25 & 30 available with or without 2RS Seals

Size 35 and larger all with 2RS Seals

Models Available



Right Hand Part No.	Left Hand Part No.	Size D	Dimensions (mm)											Static Load C <sub>0</sub> kN	Dynamic Load C kN	Max Speed RPM	α°	Wt. g
			B	M	A	F	L	K	J	O	SW	G	GL					
EI 6 D	EIL 6 D	6	6	4.4	20	30	40.0	13	10.0	8.0	11	M6 x 1	12	10.3	3.6	13	13	21
EI 8 D	EIL 8 D	8	8	6.0	24	36	48.0	16	12.5	10.2	14	M8 x 1.25	16	15.8	5.8	15	14	38
EI 10 D	EIL 10 D	10	9	7.0	28	43	57.0	19	15.0	13.2	17	M10 x 1.5	20	23.4	8.6	12	13	60
EI 12 D	EIL 12 D	12	10	8.0	34	50	67.0	22	17.5	14.9	19	M12 x 1.75	23	31.0	11.5	11	13	96
EI 15 D	EIL 15 D	15	12	10.0	40	61	81.0	26	21.0	18.4	22	M14 x 2	29	42.5	17.5	8	15	180
EI 16 D	EIL 16 D	16	14	11.0	46	67	90.0	30	24.0	20.7	27	M16 x 2	33	54.5	22.5	10	16	220
EI 17 D	EIL 17 D	17	14	11.0	46	67	90.0	30	24.0	20.7	27	M16 x 2	33	54.5	22.5	10	15	220
EI 20 D (-2RS)*	EIL 20 D (-2RS)*	20	16	13.0	53	77	103.5	35	27.5	24.2	32	M20 x 1.5	40	62.5	31.5	9	14	350
EI 25 D (-2RS)*	EIL 25 D (-2RS)*	25	20	17.0	64	94	126.0	42	33.5	29.3	36	M24 x 2	48	92.0	51.0	7	15	640
EI 30 D (-2RS)*	EIL 30 D (-2RS)*	30	22	19.0	73	110	146.5	50	40.0	34.2	41	M30 x 2	56	124.0	66.0	6	17	930
EI 35 D	EIL 35 D	35	25	21.0	82	125	166.0	58	47.0	39.8	50	M36 x 3	60	144.0	140.0	6	19	1300
EI 40 D	EIL 40 D	40	28	23.0	92	142	188.0	65	52.0	45.0	55	M39 x 3	65	178.0	185.0	7	16	2000

Note: \* Size 4 on request and housing from AISI 303. \*\*Only recommended for short term revolutions.

## EA..D Type

- Steel-Zinc Plated
- Maintenance Free
- Right & Left Hand-External Threads
- Suited for High Uni-directional Loads and Narrow Width

**Housing:** Up to size 10 turned, from free-cutting steel to 9SMnPb28K, 12L13

From size 12 forged, from heat-treated steel to C45, AISI 1045

**Bearing:** maintenance free steel / PTFE teflon bearing GE...EC

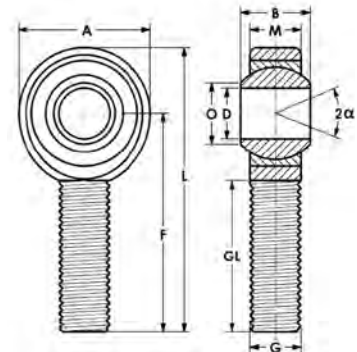
From size 20 available sealed from both sides (-2RS)

From size 35 only available sealed from both sides (-2RS)

Size 20, 25 & 30 available with or without 2RS Seals

Size 35 and larger all with 2RS Seals

Models Available



Right Hand Part No.	Left Hand Part No.	Size D	Dimensions (mm)								Static Load C <sub>0</sub> kN	Dynamic Load C kN	Max Speed RPM	α°	Wt. g
			B	M	A	F	L	O	G	GL					
EA 6 D	EAL 6 D	6	6	4.4	20	36	46.0	8.0	M6	18	6.9	3.6	13	13	16
EA 8 D	EAL 8 D	8	8	6.0	24	42	54.0	10.2	M8 x 1.25	22	12.7	5.8	15	14	28
EA 10 D	EAL 10 D	10	9	7.0	28	48	62.0	13.2	M10 x 1.5	26	19.9	8.6	12	13	50
EA 12 D	EAL 12 D	12	10	8.0	34	54	71.0	14.9	M12 x 1.75	28	29.0	11.5	11	13	86
EA 15 D	EAL 15 D	15	12	10.0	40	63	83.0	18.4	M14 x 2	34	39.5	17.5	8	15	140
EA 16 D	EAL 16 D	16	14	11.0	46	69	92.0	20.7	M16 x 2	36	54.0	22.5	10	16	190
EA 17 D	EAL 17 D	17	14	11.0	46	69	92.0	20.7	M16 x 2	36	54.0	22.5	10	15	190
EA 20 D (-2RS)*	EAL 20 D (-2RS)*	20	16	13.0	53	78	104.5	24.2	M20 x 1.5	43	62.5	31.5	9	14	320
EA 25 D (-2RS)*	EAL 25 D (-2RS)*	25	20	17.0	64	94	126.0	29.3	M24 x 2	43	92.0	51.0	7	15	560
EA 30 D (-2RS)*	EAL 30 D (-2RS)*	30	22	19.0	73	110	146.5	34.2	M30 x 2	65	124.0	66.0	6	17	890
EA 35 D	EAL 35 D	35	25	21.0	82	140	181.0	39.8	M36 x 3	82	144.0	140.0	6	19	1400
EA 40 D	EAL 40 D	40	28	23.0	92	150	196.0	45.0	M39 x 3	86	178.0	185.0	7	16	1800

Note: \* Size 4 on request and housing from AISI 303. \*\*Only recommended for short term revolutions

# Metric Rod Ends

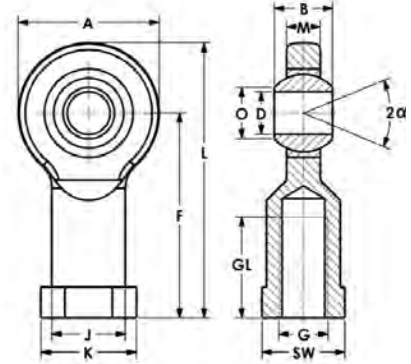
## EI..D SS Type

**Stainless Steel**  
**Maintenance Free**  
**Right & Left Hand - Internal Threads**  
**Suited for High Uni-directional Loads,**  
**Corrosive Environments, Narrow Widths**

**Housing:** Size 6 to 40 stainless steel to 1.4301, AISI 304, forged, polished  
 Size 45 stainless steel to 1.4301, AISI 304, turned  
 Size 50 stainless steel to 1.4571, AISI 316Ti, turned

**Bearing:** Maintenance free stainless steel Spherical Plain Bearing GE..EC-NIRO

Models Available



Right Hand Part No.	Left Hand Part No.	Size D	Dimensions (mm)											Static Load C <sub>0</sub> kN	Dynamic Load C kN	Max Speed RPM	α°	Wt. g
			B	M	A	F	L	K	J	O	SW	G	GL					
EI 6 D-SS	EIL 6 D-SS	6	6	4.4	20	30	40.0	13	10.0	8.0	11	M6 x 1	12	6.0	4	13	13	21
EI 8 D-SS	EIL 8 D-SS	8	8	6.0	24	36	48.0	16	12.5	10.2	14	M8 x 1.25	16	9.2	7	15	14	38
EI 10 D-SS	EIL 10 D-SS	10	9	7.0	28	43	57.0	19	15.0	13.2	17	M10 x 1.5	20	13.6	10	12	13	60
EI 12 D-SS	EIL 12 D-SS	12	10	8.0	34	50	67.0	22	17.5	14.9	19	M12 x 1.75	23	18.0	14	11	13	96
EI 15 D-SS	EIL 15 D-SS	15	12	10.0	40	61	81.0	26	21.0	18.4	22	M14 x 2	29	26.5	30	8	15	180
EI 16 D-SS	EIL 16 D-SS	16	14	11.0	46	67	90.0	30	24.0	20.7	27	M16 x 2	33	34.0	39	10	15	220
EI 17 D-SS	EIL 17 D-SS	17	14	11.0	46	67	90.0	30	24.0	20.7	27	M16 x 2	33	34.0	39	10	15	220
EI 20 D-SS	EIL 20 D-SS	20	16	13.0	53	77	103.5	35	27.5	24.2	32	M20 x 1.5	40	45.0	54	9	14	350
EI 25 D-SS	EIL 25 D-SS	25	20	17.0	64	94	126.0	42	33.5	29.3	36	M24 x 2	48	73.0	96	7	15	640
EI 30 D-SS	EIL 30 D-SS	30	22	19.0	73	110	146.5	50	40.0	34.2	41	M30 x 2	56	97.0	118	6	17	930
EI 35 D-SS	EIL 35 D-SS	35	25	21.0	82	125	166.0	58	47.0	39.8	50	M36 x 3	60	111.0	153	6	19	1300
EI 40 D-SS	EIL 40 D-SS	40	28	23.0	92	142	188.0	65	52.0	45.0	55	M39 x 3	65	135.0	190	7	16	2000

Note: Sizes 45, 50, 60, 70 and 80 available on request

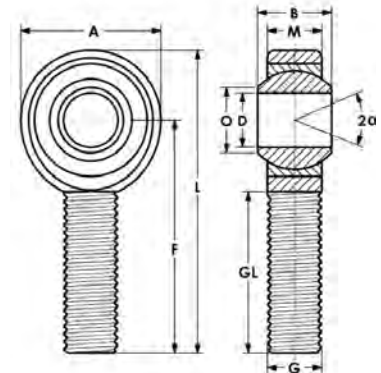
## EA..D SS Type

**Stainless Steel**  
**Maintenance Free**  
**Right & Left Hand - External Threads**  
**Suited for High Uni-directional Loads,**  
**Corrosive Environments, Narrow Widths**

**Housing:** Size 6 to 40 stainless steel to 1.4301, AISI 304, forged, polished  
 Size 45 stainless steel to 1.4301, AISI 304, turned  
 Size 50 stainless steel to 1.4571, AISI 316Ti, turned

**Bearing:** Maintenance free stainless steel Spherical Plain Bearing GE..EC-NIRO

Models Available



Right Hand Part No.	Left Hand Part No.	Size D	Dimensions (mm)								Static Load C <sub>0</sub> kN	Dynamic Load C kN	Max Speed RPM	α°	Wt. g
			B	M	A	F	L	O	G	GL					
EA 6 D-SS	EAL 6 D-SS	6	6	4.4	20	36	46.0	8.0	M6 x 1	18	4.0	4	13	13	16
EA 8 D-SS	EAL 8 D-SS	8	8	6.0	24	42	54.0	10.2	M8 x 1.25	22	7.4	7	15	14	28
EA 10 D-SS	EAL 10 D-SS	10	9	7.0	28	48	62.0	13.2	M10 x 1.5	26	11.6	10	12	13	50
EA 12 D-SS	EAL 12 D-SS	12	10	8.0	34	54	71.0	14.9	M12 x 1.75	28	17.0	14	11	13	86
EA 15 D-SS	EAL 15 D-SS	15	12	10.0	40	63	83.0	18.4	M14 x 2	34	23.0	30	8	15	140
EA 16 D-SS	EAL 16 D-SS	16	14	11.0	46	69	92.0	20.7	M16 x 2	36	31.5	39	10	15	190
EA 17 D-SS	EAL 17 D-SS	17	14	11.0	46	69	92.0	20.7	M16 x 2	36	31.5	39	10	15	190
EA 20 D-SS	EAL 20 D-SS	20	16	13.0	53	78	104.5	24.2	M20 x 1.5	43	45.0	54	9	14	320
EA 25 D-SS	EAL 25 D-SS	25	20	17.0	64	94	126.0	29.3	M24 x 2	43	73.0	96	7	15	560
EA 30 D-SS	EAL 30 D-SS	30	22	19.0	73	110	146.5	34.2	M30 x 2	65	97.0	118	6	17	890
EA 35 D-SS	EAL 35 D-SS	35	25	21.0	82	140	181.0	39.8	M36 x 3	82	111.0	153	6	19	1400
EA 40 D-SS	EAL 40 D-SS	40	28	23.0	92	150	196.0	45.0	M39 x 3	86	135.0	190	7	16	1800

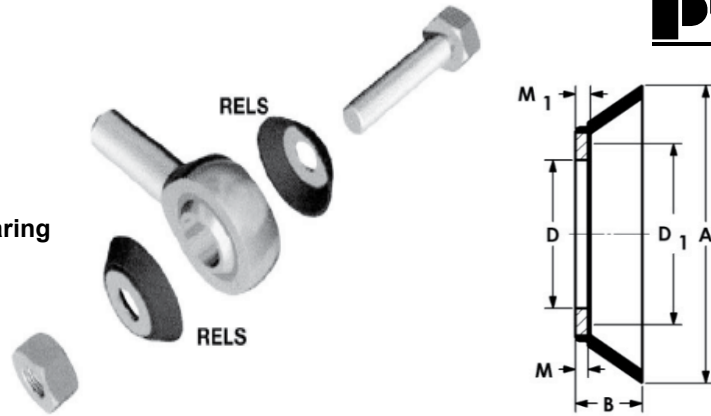
Note: \* Without grease fitting.

# Rod End Seals

## RELS Series

Rubber Seals Vulcanized  
to Stainless Steel Washer

Helps to prevent contamination of the bearing  
Max temp 230°F (110°C)



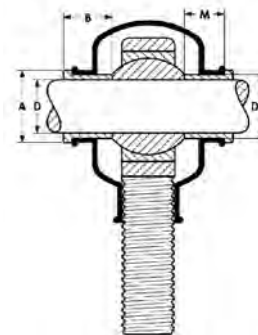
Washer Seal Part No.	Shaft Size mm	D	D1	B	M	M1	A
RELS 5	5	5.25	8.3	2.4	0.5	0.8	11.2
RELS 6	6	6.25	9.5	3.1	0.7	0.9	12.7
RELS 8	8	8.25	12.4	5.1	1.2	1.4	17.8
RELS 10	10	10.25	13.5	5.6	1.2	1.4	20.3
RELS 12	12	12.25	18.5	6.4	1.2	1.7	28.6
RELS 14	14	14.25	18.5	6.4	1.2	1.7	28.6
RELS 16	16	16.25	22.4	6.8	1.2	1.7	31.7
RELS 18	18	18.25	22.6	8.3	1.2	1.7	32.7
RELS 20	20	20.25	25.2	10.2	1.2	1.7	38.1
RELS 25	25	25.25	33.8	12.7	1.5	2.3	53.3
RELS 30	30	30.25	55.9	14.0	1.5	2.3	56.7

Note: Part number includes a pair, one for each side.

# Rod End Protector Caps

## RERS Series

Neoprene Protector Caps  
Protects Against Dust & Chemicals  
Temp Range -4°F to +248°F (-20°C to 120°C)  
Easy Mounting with Retaining Ring Pliers



Rubber Protector Cap Part No.	Spacer Part No.	Rod End Size	D	D1	B	M	A
RERS 1	DR 6	6	6	8.7	6	4	11
RERS 1	DR 8	8	8	10.3	6	4	12
RERS 2	DR 10	10	10	12.5	6	4	14
RERS 2	DR 12	12	12	15.0	8	6	17
RERS 3	DR 14	14	14	16.8	8	6	19
RERS 3	DR 16	16	16	19.0	8	6	21
RERS 3	DR 18	18	18	21.8	8	6	25
RERS 4	DR 20	20	20	24.3	10	8	28
RERS 4	DR 22	22	22	25.7	10	8	29
RERS 4	DR 25	25	25	29.7	10	8	33
RERS 5	—	30	—	—	—	—	—
RERS 5	—	35	—	—	—	—	—

# Metric Hydraulic Rod Ends



## FPR..U Type

**Steel-Zinc Plated**

**Regreasable**

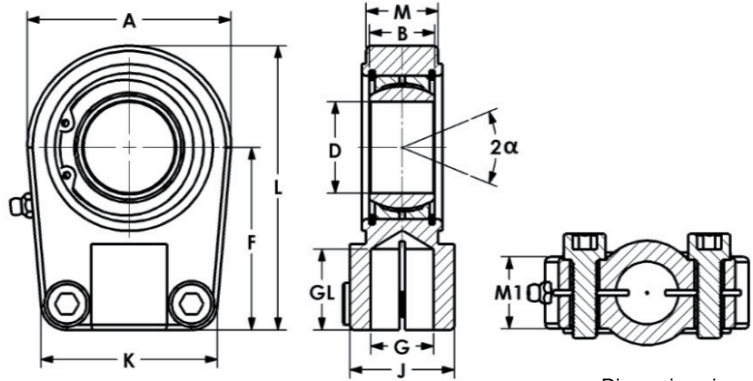
**Right & Left Hand - Internal Threads**

**Suited for Short Relay Distance and Maximum Stroke**

**Housing:** up to size 80 forged, C45, AISI 1045

Housings 90 up from nodular cast iron GS 400

**Bearing:** steel on steel GE...E, requires lubrication



Dimensions in mm

Right Hand Part No.	Left Hand Part No.	Shaft Size D	Dimensions (mm)										Cap Screw Size	Cap Screw Torque Nm	Static Load C <sub>0</sub> kN	Dynamic Load C kN	Pivoting Angle α°	Wt. kg
			B	M	M1	A	F	L	K	J	G	GL						
FPR20U	FPL20U	20	16	19	21	56	50	80.0	46	25	M16 x 1.5	17	M8 x 20	25	81.1	30	9	0.40
FPR25U	FPL25U	25	20	23	21	56	50	80.0	46	25	M16 x 1.5	17	M8 x 20	25	72.0	48	7	0.48
FPR30U	FPL30U	30	22	28	26	64	60	94.0	50	32	M22 x 1.5	23	M8 x 25	25	106.0	62	6	0.70
FPR35U	FPL35U	35	25	30	28	78	70	112.0	66	40	M28 x 1.5	29	M10 x 30	49	153.0	80	6	1.15
FPR40U	FPL40U	40	28	35	33	94	85	135.0	76	49	M35 x 1.5	36	M10 x 30	49	250.0	100	7	2.08
FPR50U	FPL50U	50	35	40	37	116	105	168.0	90	61	M45 x 1.5	46	M12 x 40	86	365.0	156	6	3.58
FPR60U	FPL60U	60	44	50	46	130	130	200.0	120	75	M58 x 1.5	59	M16 x 45	210	400.0	245	6	6.20
FPR70U	FPL70U	70	49	55	51	154	150	232.0	130	86	M65 x 1.5	66	M16 x 45	210	540.0	315	6	9.20
FPR80U	FPL80U	80	55	60	55	176	170	265.0	160	105	M80 x 2	81	M20 x 55	410	670.0	400	6	13.20
FPR90U	FPL90U	90	60	65	60	206	210	322.0	180	124	M100 x 2	101	M20 x 55	410	980.0	490	5	19.60
FPR100U	FPL100U	100	70	70	65	231	235	360.0	200	138	M110 x 2	111	M24 x 75	710	1120.0	610	7	26.31
FPR110U	FPL110U	110	70	80	74	265	265	407.5	220	152	M120 x 3	125	M24 x 75	710	1700.0	655	6	39.20
FPR120U	FPL120U	120	85	90	84	340	310	490.0	257	172	M130 x 3	135	M24 x 75	710	2900.0	950	6	78.00

## Other Custom Types



FPR..N Type  
(Hydraulic)



FS..C Type  
(Weld-On)



FS..N Type  
(Weld-On)



GXSW Type  
(with Custom Link)

# Spherical Plain Bearing

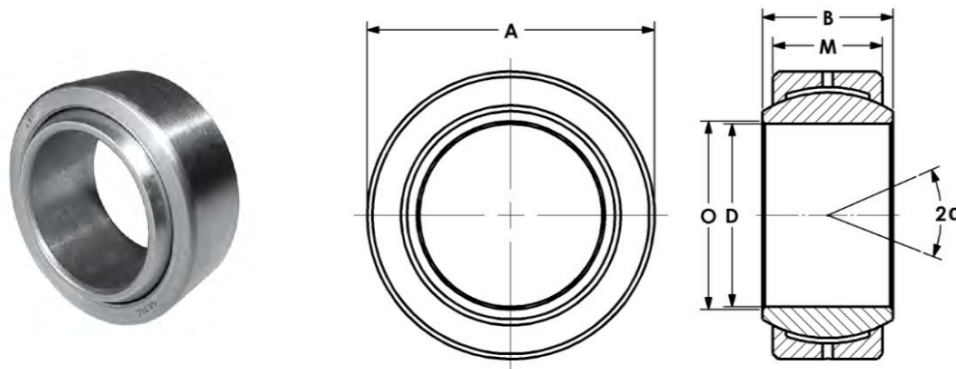
## GE..EC (2RS) Type



- Steel on PTFE Teflon Liner**
- Normal Duty**
- Maintenance Free**
- Suited for High Uni-directional Loads**

**Insert:** Bearing steel 100Cr6, AISI 52100, PTFE Teflon liner, bonded to the inner surface  
 Size 15 and up available sealed from both sides (-2RS)  
 from size 60 only sealed from both sides (-2RS)

**Ball:** Bearing steel to 100Cr6, AISI 52100, hardened, ground, polished, hard chrome plated



Part No.	Dimensions (mm)							Static Load C <sub>0</sub> kN	Static Load C <sub>0</sub> kN (2RS)	Dynamic Load C kN	Dynamic Load C kN (2RS)	Misalignment Angle	Wt. g	
	Size (D)	B	M	A	O	dK								
GE 4 EC	4	0-0.008	5	3	12	0-0.008	6.0	8.0	5.4	—	2.1	—	16	3
GE 5 EC	5	0-0.008	6	4	14	0-0.008	8.0	10.0	9.1	—	3.6	—	13	4
GE 6 EC	6	0-0.008	6	4	14	0-0.008	8.0	10.0	9.1	—	3.6	—	13	4
GE 8 EC	8	0-0.008	8	5	16	0-0.008	10.2	13.0	14.0	—	5.8	—	15	7
GE 10 EC	10	0-0.008	9	6	19	0-0.009	13.2	16.0	21.0	—	8.6	—	12	11
GE 12 EC	12	0-0.008	10	7	22	0-0.009	14.9	18.0	28.0	—	11.0	—	11	17
GE 15 EC	15	0-0.008	12	9	26	0-0.009	18.4	22.0	45.0	59	18.0	17.5	8	26
GE 16 EC	16	0-0.008	14	10	30	0-0.009	20.7	25.0	56.0	56	22.0	22.5	10	40
GE 17 EC	17	0-0.008	14	10	30	0-0.009	20.7	25.0	56.0	75	22.0	22.5	10	40
GE 20 EC	20	0-0.010	16	12	35	0-0.011	24.1	29.0	78.0	104	31.0	31.5	9	64
GE 25 EC	25	0-0.010	20	16	42	0-0.011	29.3	35.5	127.0	204	51.0	51.0	7	115
GE 30 EC	30	0-0.010	22	18	47	0-0.011	34.2	40.7	166.0	263	65.0	66.0	6	149
GE 35 EC	35	0-0.012	25	20	55	0-0.013	39.7	47.0	211.0	338	84.0	140.0	6	228
GE 40 EC	40	0-0.012	28	22	62	0-0.013	45.0	53.0	262.0	419	104.0	185.0	7	318
GE 45 EC	45	0-0.012	32	25	68	0-0.013	50.7	60.0	337.0	540	135.0	240.0	7	421
GE 50 EC	50	0-0.012	35	28	75	0-0.013	55.9	66.0	415.0	665	166.0	295.0	6	562
GE 60 EC	60	0-0.015	44	36	90	0-0.015	66.8	80.0	—	1030	—	460.0	6	1030
GE 70 EC	70	0-0.015	49	40	105	0-0.015	77.8	92.0	—	1320	—	590.0	6	1570
GE 80 EC	80	0-0.015	55	45	120	0-0.015	89.4	105.0	—	1700	—	750.0	6	2320
GE 90 EC	90	0-0.020	60	50	130	0-0.018	98.1	115.0	—	2070	—	920.0	5	2790

Note: Larger sizes available on request.

# Metric Rod Ends

## Inquiry Template



Fax to:

704-588-5738

P.T. International Corp.

Attn: \_\_\_\_\_

From: \_\_\_\_\_

Company: \_\_\_\_\_

Phone: \_\_\_\_\_

Comments: \_\_\_\_\_

\_\_\_\_\_

\_\_\_\_\_

\_\_\_\_\_

\_\_\_\_\_

\_\_\_\_\_

	<p>Please indicate: <input type="checkbox"/> Form A <input type="checkbox"/> Form B</p>
	No <input type="checkbox"/> "/>

### Nomenclature:

**Female Thread:** The letter **I** is the second letter in the product reference e.g. GI or EI

**Male Thread:** The letter **A** is the second letter in the product reference e.g. GA or EA

**Left Hand Thread:** The letter **L** is the third place in the product reference e.g. GAL or EAL

**Non-Standard Thread:** Bearing reference with additional thread specification e.g. GISW 30, **M 27x2**

**Stainless Steel Ball:** The letter **R** will be added after size reference e.g. GIRSW 10 **R**, GXSW 10 **R**, stainless version

**Completely Stainless:** The letters **SS** will be added after size reference e.g. GE 10 EC-**SS** or EI 16 D-**SS**

**Ball Hard Chrome Plated:** **ICR** will be added after size reference e.g. GASW 10 **ICR**

**Seals:** **-2RS** will be added after size reference e.g. GISW 10-**2RS**

**Threaded Bolt:** **Bo** will be added after size reference e.g. GISW 10 **Bo**

**Nickel Plated Housing:** **NI** will be added after size reference e.g. GISW 14 **NI** (improved corrosion resistance for the housing)

**Left Hand Thread for Hydraulic Rod Ends:** The letter **L** will be added at the third place replacing the letter R e.g. **FPL...N**

# Chain & Belt Drive Products



<p><b>Roller Chain</b></p>  <p>Single, Double, Triple Metric &amp; ANSI Roller Chain. Stainless &amp; Lube Free Chain.</p>	 <p>Attachment &amp; Conveyor Chain</p>	 <p>Coupling Chain Chain Breakers</p>	 <p>Wide Variety of Attachments</p>
<p><b>Sprockets</b></p>  <p>Taper Bushed</p>	 <p>Hub &amp; Plate Type, Standard, Hardened Teeth, Stainless &amp; Idler Sprockets</p>	 <p>Double Single Sprockets</p>	 <p>Roll-Ring Chain Tensioners</p>
<p><b>Bushings, Gears &amp; Racks</b></p>  <p>TL Taper Bushings</p>	 <p>Keyless Locking Devices</p>	 <p>Weld on Hubs for TL Bushing</p>	 <p>Spur Gears &amp; Racks</p>
<p><b>Timing Pulleys</b></p>  <p>Synchronous Timing Pulleys</p>	 <p>T &amp; AT Series Timing Pulleys</p>	 <p>HTD Timing Pulleys</p>	 <p>Poly Chain Timing Pulleys</p>
<p><b>Belt Drives</b></p>  <p>Super Torque Timing Pulleys</p>	 <p>SPZ, SPA, SPB &amp; SPC Metric Sheaves</p>	 <p>Variable Pitch Sheaves</p>	 <p>Custom Pulleys on Request</p>

# Chain Selection Criteria



## Guide Lines

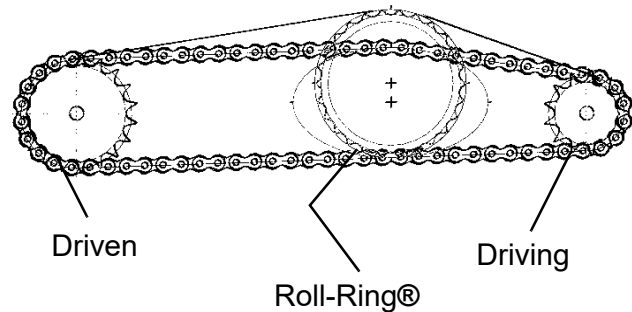
Information needed for proper chain selection:

- Define Load-uniform, moderate or heavy shock, to properly service factor the load.
- Horsepower to be transmitted.
- Full-load speed of the driving shaft.
- Desired speed of the driven shaft.
- Center distance between shafts and if tensioning adjustment is desired.
- Lubrication method.
- Limits on space and position of drive, horizontal, vertical.
- Other conditions, such as type of environment (corrosive), use of idlers, temperatures and wide variations in load and speed, etc.

## Selection and Installation

- Speed ratios (Driven / Driver Sprocket) should not exceed 7:1 under normal operating conditions.
- At low speed the smaller driving sprocket can usually operate effectively with 12 to 17 teeth.
- For higher speeds select the smallest pitch chain that will operate effectively under the application load. Also the smaller sprocket should have at least 25 teeth to avoid problems that occur when a chain moving rapidly in a straight line has to suddenly wrap around a small diameter sprocket.
- Chain wrap on the small sprocket must be at least 120°.
- The distance between shafts should be 30 to 50 times the pitch of the chain. Chain pitch is the distance between pins. When the load is pulsating, the distance of the shafts can be reduced to just 20 times the pitch of the chain to reduce whip and minimize stretch. Shafts should be parallel and level. The sprockets should be in proper alignment and the chain spans should not touch.
- Chain length should be in even numbers of links. An uneven number of links necessitates the use of an offset link and could reduce the breaking load by approximately 20%. Connecting links are the weakest points.
- Roller chains are normally installed horizontally. The links that transmit load are the Tension Side, this is usually the top strand. The tension side transmits torque. On the loose side, the slack allowed is approximately 4% of the span. When the center distance between shafts is greater than 3 feet, or the chain is operated under heavy load or high frequency of starts and stops and the direction of drive is changed often, the slackness allowed in the chain should be approximately 2% of the span.
- The angle of inclination can be up to 60° between the drive sprocket and the driven sprocket.
- In vertical drives, the amount of slack in the chain should be approximately 2% of the span.
- Tensioners are recommended to keep chain tight, especially when the chain drive is mounted vertically. Idler Sprocket Tensioners should have at least 3 teeth engaging the chain. When the drive sprocket is mounted on the lower position the tensioning device should be mounted outside the chain span.

- When the drive sprocket is mounted at the upper position, the tensioning device should be placed inside the span.
- In applications when a tensioner device is needed, PTI's **Roll-Ring®** Chain Tensioner may be an option. See section for information on the **Roll-Ring®** Chain Tensioner.



## HP & Torque Required

For sizing chain, it is important to know the speed, torque and/or Horsepower the chain is to transmit. Listed below are some helpful Torque and Horsepower equations.

### Horsepower:

$$HP = \frac{\text{Force lb} \times \text{FPM}}{33000} \quad HP = \frac{\text{Torque (in lb - inches)} \times \text{rpm}}{63025}$$

$$HP = \frac{\text{Torque (in lb - feet)} \times \text{rpm}}{5252}$$

### Torque:

$$\text{Torque (in lb-inches)} = \frac{63025 \times \text{HP}}{\text{rpm}} \quad \text{Torque (in lb-feet)} = \frac{5252 \times \text{HP}}{\text{rpm}}$$

## Service Factor the Load:

For Uniform Loads, use a 1.0 service factor, moderate use 1.5 and heavy shock use a 2.0 multiplier on the load.

The chain load should not exceed 10% or 10:1 ratio of the breaking load to application load that is published for the chain. Example: PTI Part No. E50-1 Riv chain has a breaking load of 6,100 lb. The maximum load would be at 10:1 ratio. 6,100lb/10 = 610 lb of load for this chain. For higher loads, use multiple strands or larger chain.

## Maintenance and Lubrication

There are generally three methods of lubrication: manual or drip, bath and oil stream. Manual lubrication is performed with a brush or spout can. It is the least expensive and the least effective. The bath is performed via directing the chain into a pool at the bottom of an enclosure of the chain. The chain should intersect the oil pool at the chain pins lowest point. The chain should not be completely submerged in the oil. The oil stream has the chain passing through a leak free enclosure where a slinger disc splashes oil onto the chain. The chain should be removed and cleaned periodically to remove contaminants that encourage part wear.

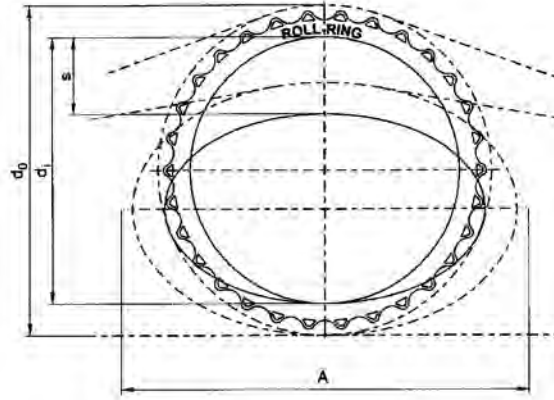


# Roll-Ring® Chain Tensioner



## Features and Benefits:

- Maintenance free, self adjusting.
- Extends chain life, keeps chain aligned.
- Installs in just seconds and stays put.
- Dampens chain whip, reducing the wear and noise of the drive.
- Gently maintains chain tension without excessive pressure, unlike spring loaded types.
- Great for reversing drives, no adjustments ever.
- Operating temperatures: -4°F to 158°F.
- Sizes: ANSI 35 thru 100 and ISO 05B thru 20B.
- Several diameters in each size to accommodate various sprocket diameters and centers.
- Duplex or triple strand chain? Use two side by side!



Part No.	Chain Size		Pitch		Article No.	Teeth	d <sub>o</sub>	d <sub>i</sub>	S	A	D = d <sub>o</sub> - s	Expansion Force lb	Max Chain Speed ft/sec
	ISO No.	ANSI No.	mm	in									
RR315M-30	05B	—	8	—	105 030 01	30	3.01	2.56	0.79	4.09	2.23	0.64	16.4
RR375M-30	06B	—	—	.375	106 030 01	30	3.59	2.87	0.98	4.80	2.60	3.34	17.1
RR375-30	—	35	—	.375	806 030 01	30	3.54	3.02	1.06	4.45	2.48	1.28	17.1
RR375M-36	06B	—	—	.375	106 030 01	36	4.29	3.50	0.98	5.63	3.31	6.27	17.1
RR500-26	08B	40	—	.500	108 026 01	26	4.15	3.45	1.06	5.35	3.09	2.95	24.6
RR500-30	08B	40	—	.500	108 030 01	30	4.78	4.00	1.18	6.36	3.60	3.12	28.2
RR500-30-081B	081B,083B,085B	41	—	.500	108 430 01	30	4.78	4.00	1.18	6.36	3.60	3.12	28.9
RR500-34	08B	40	—	.500	108 034 01	34	5.41	4.54	1.18	6.50	4.23	4.84	28.9
RR625-26	10B	50	—	.625	110 026 01	26	5.06	4.13	1.10	6.02	3.95	6.20	13.8
RR625-30	10B	50	—	.625	110 030 01	30	5.83	4.91	1.30	6.97	4.53	5.06	28.9
RR625-34	10B	50	—	.625	110 034 01	34	6.69	5.55	1.50	8.54	5.20	9.98	28.9
RR750-26	12B	60	—	.750	112 026 01	26	6.10	5.02	1.38	8.25	4.72	8.62	17.7
RR750-30	12B	60	—	.750	112 030 01	30	7.17	6.03	1.77	9.53	5.40	7.08	20.3
RR750-34	12B	60	—	.750	112 034 01	34	8.17	6.67	1.77	10.43	6.40	15.51	21
RR1000-26	16B	80	—	1.0	116 026 01	26	8.15	6.58	1.77	10.59	6.38	21.05	18.7
RR1000M-30	16B	—	—	1.0	116 030 01	30	9.68	7.95	1.97	12.05	7.71	24.38	20.3
RR1000-30	—	80	—	1.0	816 030 01	30	9.53	7.87	1.97	12.40	7.56	23.15	21.7
RR1250-30	20B	100	—	1.25	120 030 01	30	11.96	10.09	2.56	15.35	9.40	17.71	23

Note: Value "A" includes a safety distance to the sprockets.

# Metric (British Standard) Roller Chain E-Series



Our Precision Roller Chain is manufactured on request. Chains manufactured to ISO 9002 (Germany) Reg. No. 041003017. Packaged in 5 meter lengths. Some 10 feet lengths and reels also stock. Other lengths on request.

## Simplex Roller Chains

Part No.	Pitch		Inner Width	Roller Dia.	Pin Dia.	Plate Depth	Transverse Pitch	Conn Pin Length	Breaking Load	Approx. Wt.
	p mm	p in	b <sub>1</sub> min mm	d <sub>1</sub> max. mm	d <sub>2</sub> max. mm	g max. mm	e mm	a <sub>1</sub> max. mm	kN	kg/m
E03B-1 RIV	5.00	-	2.5	3.2	1.49	4.1	—	7.4	2.4	0.08
E04B-1 RIV	6.00	-	2.8	4.0	1.85	5.0	—	7.8	3.2	0.12
E05B-1 RIV	8.00	-	3.0	5.0	2.31	7.1	—	8.9	5.9	0.18
E06B-1 RIV	9.525	-	5.72	6.35	3.28	8.2	—	14.1	10.4	0.41
E081B-1 RIV	12.7	1/2	3.3	7.75	3.66	9.9	—	10.2	9.97	0.28
E083B-1 RIV	12.7	1/2	4.88	7.75	4.09	10.3	—	12.9	12.7	0.42
E085B-1 RIV	12.7	1/2	6.38	7.77	3.58	9.9	—	14.0	12.26	0.4
E08B-1 RIV	12.7	1/2	7.75	8.51	4.45	11.8	—	18.2	19.4	0.7
E10B-1 RIV	15.875	5/8	9.65	10.16	5.08	14.7	—	20.9	27.5	0.9
E12B-1 RIV	19.05	3/4	11.68	12.07	5.72	16.0	—	24.2	32.2	1.3
E12BH-1 RIV	19.05	3/4	11.68	12.07	5.94	16.0	—	26.8	40.0	2.0
E16B-1 RIV	25.4	1	17.02	15.88	8.28	21.0	—	37.4	72.8	2.7
E20B-1 RIV	31.75	1-1/4	19.56	19.05	10.19	26.4	—	45.0	106.7	3.6
E24B-1 RIV	38.1	1-1/2	25.4	25.4	14.63	33.4	—	57.8	178.0	6.7
E28B-1 RIV	44.45	1-3/4	30.99	27.94	15.90	37.0	—	29.5	222.0	8.3
E32B-1 RIV	50.8	2	30.99	29.21	17.81	42.2	—	71.0	277.5	10.5
E40B-1 RIV	63.5	2-1/2	38.1	39.37	22.89	52.9	—	89.2	394.0	16.0
E48B-1 RIV	76.2	3	45.72	48.26	29.24	63.8	—	107.0	621.6	25.0
E56B-1 RIV	88.9	3-1/2	53.34	53.98	34.32	77.8	—	123.0	940.0	35.0

## Duplex Roller Chains

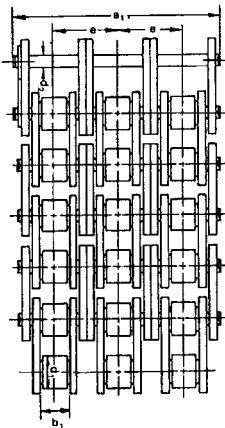
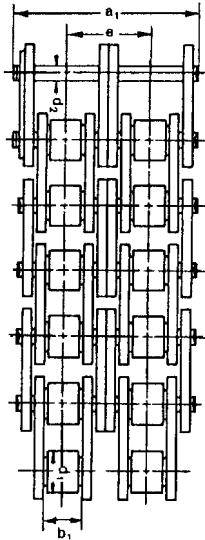
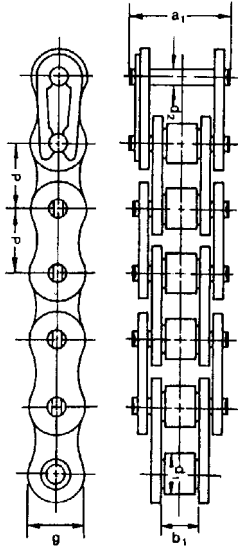
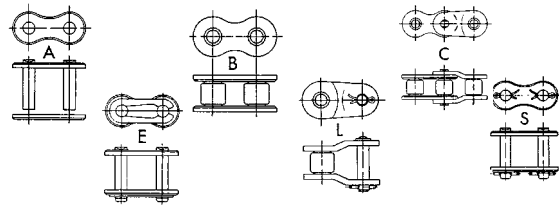
E04B-2 RIV	6.00	-	2.8	4.0	1.85	5.0	5.50	13.3	5.8	0.23
E05B-2 RIV	8.00	-	3.0	5.0	2.31	7.1	5.64	14.5	10.2	0.36
E06B-2 RIV	9.525	-	5.72	6.35	3.28	8.2	10.24	24.4	18.7	0.8
E08B-2 RIV	12.7	1/2	7.75	8.51	4.45	11.8	13.92	32.2	38.7	1.0
E10B-2 RIV	15.875	5/8	9.65	10.16	5.08	14.7	16.59	37.5	56.2	1.8
E12B-2 RIV	19.05	3/4	11.68	12.07	5.72	16.1	19.46	43.6	66.1	2.5
E16B-2 RIV	25.4	1	17.02	15.88	8.28	21.0	31.88	69.3	133.0	5.4
E20B-2 RIV	31.75	1-1/4	19.56	19.05	10.19	26.4	36.45	81.5	211.2	7.2
E24B-2 RIV	38.1	1-1/2	25.4	25.4	14.63	33.4	48.36	106.2	319.2	13.5
E28B-2 RIV	44.45	1-3/4	30.99	27.94	15.90	37.0	59.56	129.1	406.8	16.6
E32B-2 RIV	50.8	2	30.99	29.21	17.81	42.2	58.55	129.6	508.5	21.0
E40B-2 RIV	63.5	2-1/2	38.1	39.37	22.89	52.9	72.29	161.5	711.9	32.0
E48B-2 RIV	76.2	3	45.72	48.26	29.24	63.8	91.21	198.2	1130.0	50.0
E56B-2 RIV	88.9	3-1/2	53.34	53.98	34.32	77.8	106.60	229.6	1760.0	70.0

## Triplex Roller Chains

E05B-3 RIV	8.00	-	3.00	5.0	2.31	7.1	5.64	20.2	13.8	0.5
E06B-3 RIV	9.525	-	5.72	6.35	3.28	8.2	10.24	34.6	30.1	1.0
E08B-3 RIV	12.7	1/2	7.75	8.51	4.45	11.8	13.92	46.1	57.8	2.0
E10B-3 RIV	15.875	5/8	9.65	10.16	5.08	14.7	16.59	54.1	84.5	2.8
E12B-3 RIV	19.05	3/4	11.68	12.07	5.72	16.1	19.46	63.1	101.8	3.8
E16B-3 RIV	25.4	1	17.02	15.88	8.28	21.0	31.88	101.2	203.7	8.0
E20B-3 RIV	31.75	1-1/4	19.56	19.05	10.19	26.4	36.45	117.9	290.0	11.0
E24B-3 RIV	38.1	1-1/2	25.4	25.4	14.63	33.4	48.36	154.6	493.0	21.0
E28B-3 RIV	44.45	1-3/4	30.99	27.94	15.90	37.0	59.56	188.7	609.5	25.0
E32B-3 RIV	50.8	2	30.99	29.21	17.81	42.2	58.55	188.2	770.5	32.0
E40B-3 RIV	63.5	2-1/2	38.1	39.37	22.89	52.9	72.29	233.8	1092.5	48.0
E48B-3 RIV	76.2	3	45.72	48.26	29.24	63.8	91.21	289.4	1710.0	75.0

## Connecting Links

- A - Riveting Outer Link
- B - Roller Link (Inner Link)
- C - Double Offset Link
- E - Spring Clip Conn. Link
- L - Single Offset Link (Half Link)
- S - Cottered Conn. Link

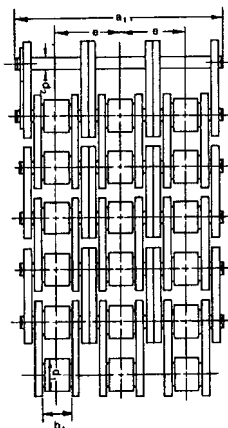
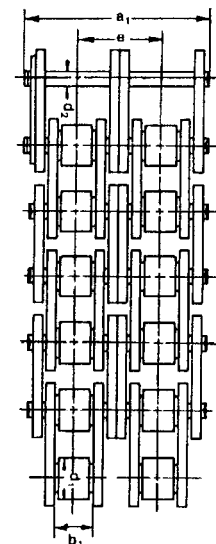
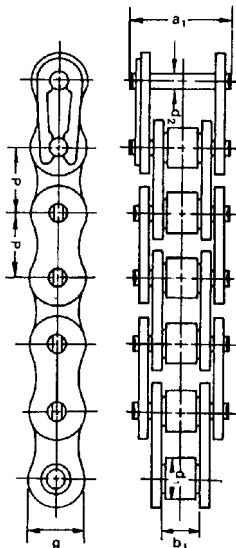


# ANSI Roller Chain E-Series



Our Precision Roller Chain is manufactured according to American Standard ISO R606A/ DIN 8188/ANSI B29.1. Most chain sizes are also available in stainless and nickel plated finishes.

Chains manufactured to ISO 9002 (Germany). Reg. No. 041003017. Packaged in 10 feet lengths with connecting link. 50 feet lengths also available. Other lengths on request.



## Simplex Roller Chains

Part No.	Pitch	Inner Width	Roller Dia.	Pin Dia.	Plate Depth	Transverse Pitch	Conn Pin Length	Breaking Load	Approx. Wt.
	p in	b <sub>1</sub> min in	d <sub>1</sub> max. in	d <sub>2</sub> max. in	g max. in	e in	a <sub>1</sub> max. in	lb	lb/ft
E25-1 RIV	1/4	.125	.130	.091	.230	—	.340	795	0.09
E35-1 RIV	3/8	.187	.200	.141	.344	—	.514	1795	0.23
E40-1 RIV	1/2	.312	.312	.156	.468	—	.687	3205	0.41
E41-1 RIV	1/2	.250	.306	.141	.390	—	.630	1516	0.28
E50-1 RIV	5/8	.375	.400	.200	.571	—	.850	5045	0.69
E60-1 RIV	3/4	.500	.468	.234	.679	—	1.060	7227	1.04
E80-1 RIV	1	.625	.625	.312	.908	—	1.405	12886	1.77
E100-1 RIV	1-1/4	.750	.750	.375	1.125	—	1.680	20114	2.59
E120-1 RIV	1-1/2	1.000	.875	.437	1.344	—	2.081	28864	4.05
E140-1 RIV	1-3/4	1.000	1.000	.500	1.625	—	2.250	39182	5.10
E160-1 RIV	2	1.250	1.125	.562	1.875	—	2.667	51545	6.85
E180-1 RIV	2-1/4	1.400	1.406	.687	2.110	—	3.095	63682	9.00
E200-1 RIV	2-1/2	1.500	1.562	.781	2.250	—	3.383	80409	10.2
E240-1 RIV	3	1.875	1.875	.937	2.850	—	4.201	115977	16.5

## Heavy

E60H-1 RIV	3/4	.500	.468	.234	.679	—	1.186	8500	1.25
E80H-1 RIV	1	.625	.625	.312	.908	—	1.529	14500	2.00
E100H-1 RIV	1-1/4	.750	.750	.375	1.125	—	1.804	24000	3.10
E120H-1 RIV	1-1/2	1.000	.875	.437	1.344	—	2.205	34000	4.40
E140H-1 RIV	1-3/4	1.000	1.000	.500	1.625	—	2.374	46000	5.40
E160H-1 RIV	2	1.250	1.125	.562	1.875	—	2.791	58000	7.10

## Duplex Roller Chains

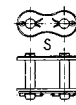
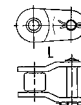
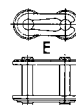
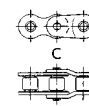
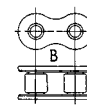
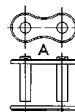
E25-2 RIV	1/4	.125	.130	.091	.230	.252	.591	1560	0.18
E35-2 RIV	3/8	.187	.200	.141	.344	.399	.913	42000	0.46
E40-2 RIV	1/2	.312	.312	.156	.468	.566	1.253	7400	0.82
E50-2 RIV	5/8	.375	.400	.200	.571	.713	1.563	12200	1.38
E60-2 RIV	3/4	.500	.468	.234	.697	.898	1.958	17000	2.08
E80-2 RIV	1	.625	.625	.312	.908	1.152	2.557	29000	3.54
E100-2 RIV	1-1/4	.750	.750	.375	1.125	1.408	3.088	48000	5.18
E120-2 RIV	1-1/2	1.000	.875	.437	1.344	1.788	3.869	68000	8.10
E140-2 RIV	1-3/4	1.000	1.000	.500	1.625	1.924	4.174	92000	10.2
E160-2 RIV	2	1.250	1.125	.562	1.875	2.304	4.971	116000	13.7
E200-2 RIV	2-1/2	1.5000	1.562	.781	2.250	2.816	6.199	190000	21.0

## Triplex Roller Chains

E25-3 RIV	1/4	.125	.130	.091	.230	.252	.882	2640	0.27
E35-3 RIV	3/8	.187	.200	.141	.344	.399	1.312	6300	0.69
E40-3 RIV	1/2	.312	.312	.156	.468	.566	1.819	11100	1.23
E50-3 RIV	5/8	.375	.400	.200	.571	.713	2.276	18300	2.07
E60-3 RIV	3/4	.500	.468	.234	.679	.898	2.856	25500	3.12
E80-3 RIV	1	.625	.625	.312	.908	1.152	3.709	43500	5.31
E100-3 RIV	1-1/4	.750	.750	.375	1.125	1.408	4.496	72000	7.77
E120-3 RIV	1-1/2	1.000	.875	.437	1.344	1.788	5.657	102000	12.15
E140-3 RIV	1-3/4	1.000	1.000	.500	1.625	1.924	6.098	138000	15.3
E160-3 RIV	2	1.250	1.125	.562	1.875	2.304	7.275	174000	20.55

## Connecting Links

- A - Riveting Outer Link
- B - Roller Link (Inner Link)
- C - Double Offset Link
- E - Spring Clip Conn. Link
- L - Single Offset Link (Half Link)
- S - Cottered Conn. Link

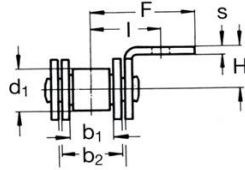
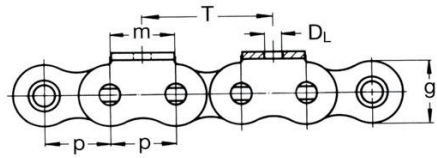


# Metric Attachment Chain

## E-Series - DIN 8187-1/ISO 606

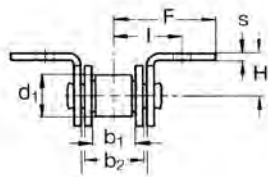
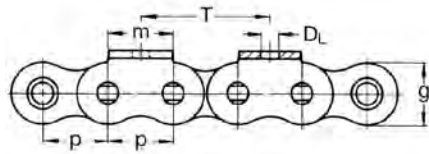


### A1 = Bent Tab, 1 Hole, 1 Side



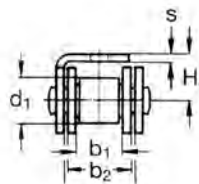
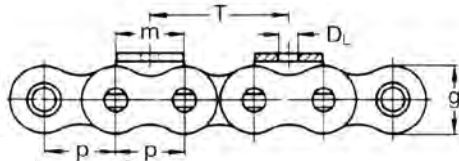
Chain Size	Attachment Connecting Link Part No.
06B-1	E06B-1 CL - A1
08B-1	E08B-1 CL - A1
10B-1	E10B-1 CL - A1
12B-1	E12B-1 CL - A1
16B-1	E16B-1 CL - A1
20B-1	E20B-1 CL - A1
24B-1	E24B-1 CL - A1

### K1 = Bent Tab, 1 Hole, 2 Sides



Chain Size	Attachment Connecting Link Part No.
06B-1	E06B-1 CL - K1
08B-1	E08B-1 CL - K1
10B-1	E10B-1 CL - K1
12B-1	E12B-1 CL - K1
16B-1	E16B-1 CL - K1
20B-1	E20B-1 CL - K1
24B-1	E24B-1 CL - K1

### R1 = Bent Tab, Reversed 1 Hole



Chain Size	Attachment Connecting Link Part No.
06B-1	E06B-1 CL - R1
08B-1	E08B-1 CL - R1
10B-1	E10B-1 CL - R1
12B-1	E12B-1 CL - R1
16B-1	E16B-1 CL - R1
20B-1	E20B-1 CL - R1
24B-1	E24B-1 CL - R1

T = 2p as shown, other spacing as required.

Chain Size	Pitch p		Inner Width	Inner Link Width	Roller Dia.	Plate Height	Breaking Load DIN	Attachment Dimensions					
	mm	in	b <sub>1</sub> min mm	b <sub>2</sub> max mm	d <sub>1</sub> min mm	g max. mm	F <sub>B</sub> min	m mm	D <sub>L</sub> mm	I mm	F mm	H mm	S mm
06B-1*	9.525	3/8	5.72	8.53	6.53	6.53	9,000	8.0	3.50	9.52	13.5	6.5	1.30
08B-1	12.7	1/2	7.75	11.30	8.51	11.8	18,000	9.5	4.50	12.70	18.2	8.90	1.60
10B-1	15.875	5/8	9.65	13.28	10.16	14.7	22,400	14.3	5.30	15.90	22.30	10.31	1.70
12B-1	19.05	3/4	11.68	15.62	12.07	16.1	29,000	16.0	6.40	19.05	26.20	13.46	1.85
16B-1	25.4	1	17.02	25.40	15.88	21.0	60,000	19.01	6.40	25.40	36.30	15.88	3.10
20B-1	31.75	1/4	19.56	29.00	19.05	26.4	95,000	35.0	9.00	31.75	50.25	19.80	3.50
24B-1	38.1	1/2	25.40	37.90	25.40	33.4	160,000	30.0	10.50	38.10	54.20	26.67	4.80

\* With straight side plates only.

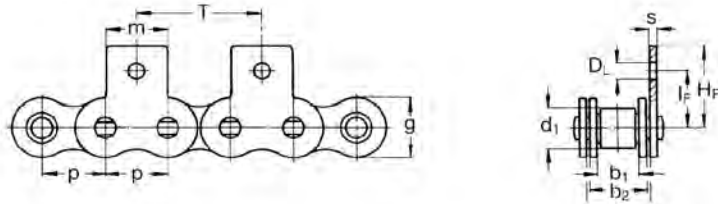
Note: The above attachments are Connecting Type Links for simple assembly by the equipment user. Chain with riveted attachments can be assembled to order at PTI in Charlotte. Inner Links with attachments, although not as common, are also possible from production. For custom chains, please detail the requirements on the Attachment Detail page.

# Metric Attachment Chain

E-Series - DIN 8187-1/ISO 606

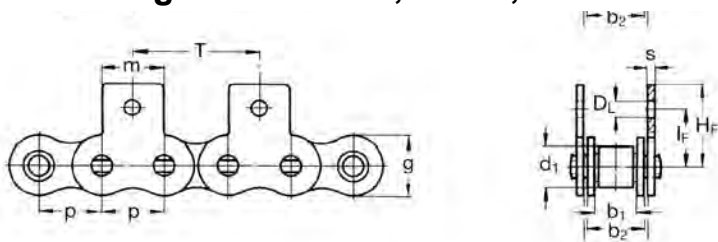


## SA1 = Straight Attachment, 1 Hole, 1 Side



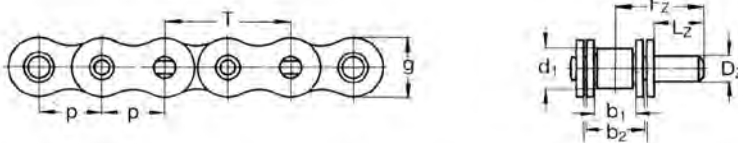
Chain Size	Attachment Connecting Link Part No.
06B-1	E06B-1 CL - SA1
08B-1	E08B-1 CL - SA1
10B-1	E10B-1 CL - SA1
12B-1	E12B-1 CL - SA1
16B-1	E16B-1 CL - SA1
20B-1	E20B-1 CL - SA1
24B-1	E24B-1 CL - SA1

## SK1 = Straight Attachment, 1 Hole, 2 Sides



Chain Size	Attachment Connecting Link Part No.
06B-1	E06B-1 CL - SK1
08B-1	E08B-1 CL - SK1
10B-1	E10B-1 CL - SK1
12B-1	E12B-1 CL - SK1
16B-1	E16B-1 CL - SK1
20B-1	E20B-1 CL - SK1
24B-1	E24B-1 CL - SK1

## EP1 = Extended Pin, 1 Side



Chain Size	Attachment Connecting Link Part No.
06B-1	E06B-1 CL - EP1
08B-1	E08B-1 CL - EP1
10B-1	E10B-1 CL - EP1
12B-1	E12B-1 CL - EP1
16B-1	E16B-1 CL - EP1
20B-1	E20B-1 CL - EP1
24B-1	E24B-1 CL - EP1

T = 2p as shown, other spacing as required.

Chain Size	Pitch p		Inner Width		Inner Link Width	Roller Dia.	Plate Height	Breaking Load DIN	Attachment Dimensions						
	mm	in	b <sub>1</sub> min mm	b <sub>2</sub> max mm					d <sub>1</sub> min mm	g max. mm	F <sub>B</sub> min	m mm	D <sub>L</sub> mm	I <sub>F</sub> mm	H <sub>F</sub> mm
06B-1*	9.525	3/8	5.72	8.53	6.53	6.53	9,000	8.0	3.5	9.52	13.5	1.3	5.0	15	20.7
08B-1	12.7	1/2	7.75	11.30	8.51	11.8	18,000	9.5	4.3	13.35	18.9	1.6	6.0	15	22.4
10B-1	15.875	5/8	9.65	13.28	10.16	14.7	22,400	14.3	5.3	16.5	22.95	1.7	6.5	20	28.5
12B-1	19.05	3/4	11.68	15.62	12.07	16.1	29,000	16.0	6.4	21.45	28.6	1.85	7.0	20	29.8
16B-1	25.4	1	17.02	25.40	15.88	21.0	60,000	19.1	6.4	23.15	34.0	3.1	10.0	30	45.9
20B-1	31.75	1/4	19.56	29.00	19.05	26.4	95,000	35.0	9.0	30.5	45.7	3.5	12.0	30	48.4
24B-1	38.1	1/2	25.40	37.90	25.40	33.4	160,000	36.0	10.5	36.0	61.5	4.8	16.0	35	59.1

\* With straight side plates only. \*\* Other lengths on request.

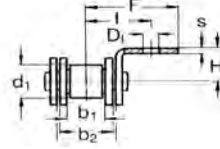
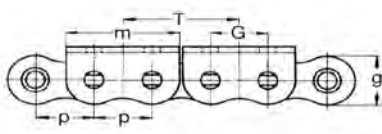
Note: The above attachments are Connecting Type Links for simple assembly by the equipment user. Chain with riveted attachments can be assembled to order at PTI in Charlotte. Inner Links with attachments, although not as common, are also possible from production. For custom chains, please detail the requirements on the Attachment Detail page.

# Metric Attachment Chain

E-Series - DIN 8187-1/ISO 606

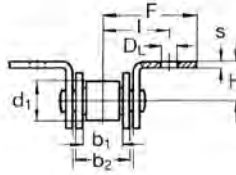
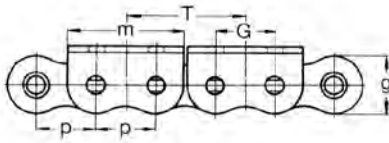


## A2 = Bent Tab, 2 Holes, 1 Side



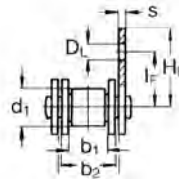
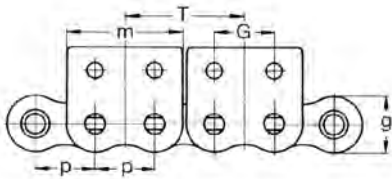
Chain Size	Attachment Connecting Link Part No.
06B-1	E06B-1 CL - A2
08B-1	E08B-1 CL - A2
10B-1	E10B-1 CL - A2
12B-1	E12B-1 CL - A2
16B-1	E16B-1 CL - A2
20B-1	E20B-1 CL - A2
24B-1	E24B-1 CL - A2

## K2 = Bent Tab, 2 Hole, 2 Sides



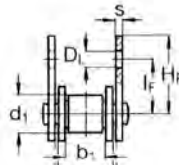
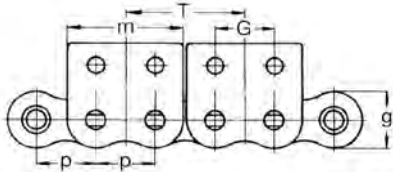
Chain Size	Attachment Connecting Link Part No.
06B-1	E06B-1 CL - K2
08B-1	E08B-1 CL - K2
10B-1	E10B-1 CL - K2
12B-1	E12B-1 CL - K2
16B-1	E16B-1 CL - K2
20B-1	E20B-1 CL - K2
24B-1	E24B-1 CL - K2

## SA2 = Straight Attachment, 2 Holes, 1 Side



Chain Size	Attachment Connecting Link Part No.
06B-1	E06B-1 CL - R1
08B-1	E08B-1 CL - R1
10B-1	E10B-1 CL - R1
12B-1	E12B-1 CL - R1
16B-1	E16B-1 CL - R1
20B-1	E20B-1 CL - R1
24B-1	E24B-1 CL - R1

## SK2 = Straight Attachment, 2 Holes, 2 Sides



Chain Size	Attachment Connecting Link Part No.
06B-1	E06B-1 CL - SK2
08B-1	E08B-1 CL - SK2
10B-1	E10B-1 CL - SK2
12B-1	E12B-1 CL - SK2
16B-1	E16B-1 CL - SK2
20B-1	E20B-1 CL - SK2
24B-1	E24B-1 CL - SK2

T = 2p as shown, other spacing as required.

Chain Size	Pitch p		Inner Width	Inner Link Width	Roller Dia.	Plate Height	Breaking Load DIN	Attachment Dimensions								
	mm	in						b <sub>1</sub> min mm	b <sub>2</sub> max mm	d <sub>1</sub> min mm	g max. mm	F <sub>B</sub> min	m mm	D <sub>L</sub> mm	G mm	I mm
06B-1*	9.525	3/8	5.72	8.53	6.53	8.2	9,000	17.72	3.5	9.525	9.5	13.5	6.5	9.5	13.5	1.3
08B-1	12.7	1/2	7.75	11.30	8.51	11.8	18,000	24.0	4.3	12.7	12.7	18.2	8.9	13.4	18.9	1.6
10B-1	15.875	5/8	9.65	13.28	10.16	14.7	22,400	29.6	5.3	15.9	15.9	22.3	10.3	16.5	22.9	1.7
12B-1	19.05	3/4	11.68	15.62	12.07	16.1	29,000	34.0	6.4	19.1	19.0	26.2	13.5	21.5	28.6	1.85
16B-1	25.4	1	17.02	25.40	15.88	21.0	60,000	46.4	6.4	25.4	25.4	36.3	15.9	23.2	34.0	3.1
20B-1	31.75	1/4	19.56	29.00	19.05	26.4	95,000	58.1	9.0	31.75	31.5	50.3	19.8	30.5	45.7	3.5
24B-1	38.1	1/2	25.40	37.90	25.40	33.4	160,000	71.3	10.5	38.1	38.1	54.2	26.1	42.1	61.5	4.8

\* With straight side plates only.

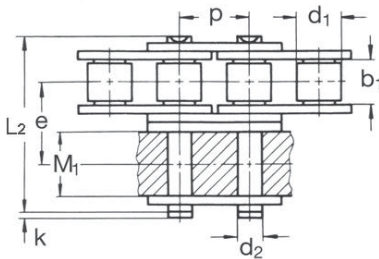
Note: The above attachments are Connecting Type Links for simple assembly by the equipment user. Chain with riveted attachments can be assembled to order at PTI in Charlotte. Inner Links with attachments, although not as common, are also possible from production. For custom chains, please detail the requirements on the Attachment Detail page.

# Metric Attachment Chain

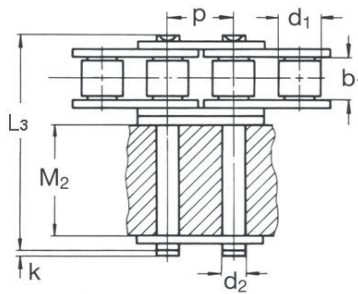
## Extended Pins



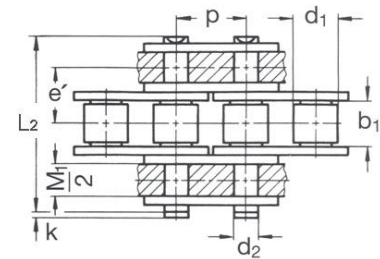
**Simplex Chain**  
with Duplex Connecting Link



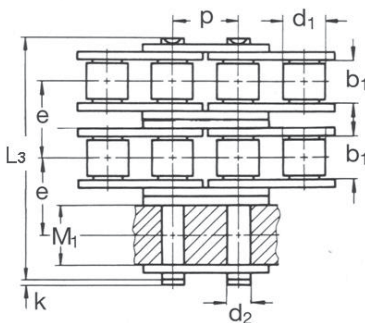
**Simplex Chain**  
with Triplex Connecting Link



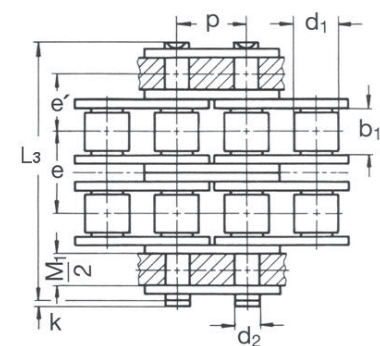
**Simplex Chain**  
with Duplex Connecting Link



**Duplex Chain**  
with Triplex Connecting Link



**Duplex Chain**  
with Triplex Connecting Link



Dimensions in mm

Chain Size	Pitch p		Inner Width b <sub>1</sub> min mm	Roller Dia. d <sub>1</sub> min mm	Pin d <sub>2</sub> max. mm	Transverse Pitch		Attachment Width		Projection over Connecting Link k max	Pin Length	
	mm	in				e	e'	M <sub>1</sub> max. mm	M <sub>2</sub> max. mm		L <sub>2</sub> max. mm	L <sub>3</sub> max. mm
06B-1	9.525	3/8	5.72	6.35	3.28	10.24	7.24	8.5	—	3.3	23.8	—
06B-2	9.525	3/8	5.72	6.35	3.28	10.24	7.24	8.5	—	3.3	—	34.0
08B-1	12.7	1/2	7.75	8.35	4.45	13.92	10.10	11.3	25.6	3.9	31.0	—
08B-2	12.7	1/2	7.75	8.51	4.45	13.92	10.10	11.3	—	3.9	—	44.9
10B-1	15.875	5/8	9.65	10.16	5.08	16.59	11.62	13.3	30.0	4.1	36.2	—
10B-2	15.875	5/8	9.65	10.16	5.08	16.59	11.62	13.3	—	4.1	—	52.8
12B-1	19.05	3/4	11.68	12.07	5.72	19.46	13.63	15.6	34.8	4.6	42.2	—
12B-2	19.05	3/4	11.68	12.07	5.72	19.46	13.63	15.6	—	4.6	—	61.7
16B-1	25.4	1	17.02	15.88	8.28	31.88	22.30	25.4	56.8	5.4	68.0	—
16B-2	25.4	1	17.02	15.88	8.28	31.88	22.30	25.4	—	5.4	—	99.9

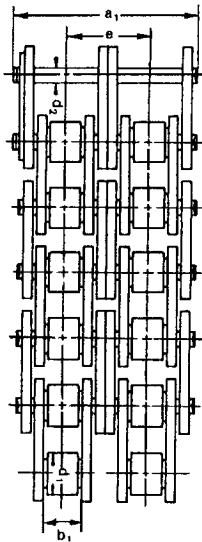
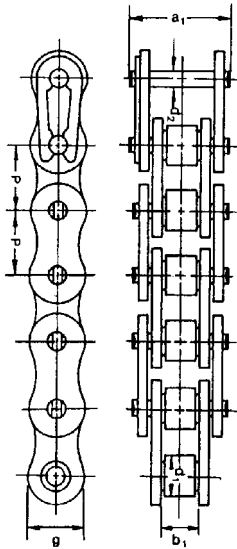
Note: All designs can also be supplied as Marathon roller chains (maintenance free) or Stainless Steel.

# Stainless Steel Roller Chain



## E-Series

Stainless Steel Roller Chain according to industry standards: Metric - DIN 8187 and ANSI 8188. SS material AISI 304. sizes packaged in 5 meter lengths. ANSI sizes in 10 feet lengths. Other lengths on request.



### ANSI Stainless Steel Roller Chains

Part No.	Pitch	Inner Width	Roller Dia.	Pin Dia.	Plate Depth	Transverse Pitch	Conn Pin Length	Breaking Load	Approx. Wt.
	p in	b <sub>1</sub> min in	d <sub>1</sub> max. in	d <sub>2</sub> max. in	g max. in	e in	a <sub>1</sub> max. in	lb	lb/ft
E25-1SS	1/4	.125	.130	.091	.230	—	0.331	568	0.09
E35-1SS	3/8	.188	.200	.141	.354	—	0.519	1250	0.22
E40-1SS	1/2	.312	.312	.156	.472	—	0.701	2182	0.41
E41-1SS	1/2	.250	.306	.141	.386	—	0.591	1360	0.27
E50-1SS	5/8	.375	.400	.200	.591	—	0.874	3455	0.68
E60-1SS	3/4	.500	.469	.234	.713	—	1.091	4932	0.94
E80-1SS	1	.625	.625	.312	.949	—	1.378	8841	1.65

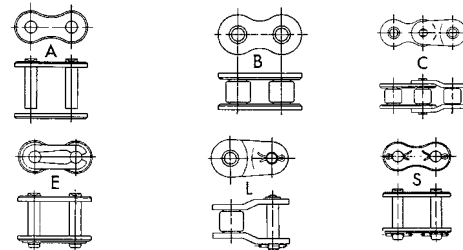
### Metric (British Standard) Stainless Steel Roller Chains

Part No.	Pitch	Inner Width	Roller Dia.	Pin Dia.	Plate Depth	Transverse Pitch	Conn Pin Length	Breaking Load	Approx. Wt.
	p mm	b <sub>1</sub> min mm	d <sub>1</sub> max. mm	d <sub>2</sub> max. mm	g max. mm	e mm	a <sub>1</sub> max. mm	kN	kg/m
E05B-1SS	8.0	3.0	5.0	2.31	7.1	—	8.9	3.5	0.18
E06B-1SS	9.525	5.72	6.35	3.28	8.2	—	14.1	6.2	0.41
E08B-1SS	12.7	7.75	8.51	4.45	11.8	—	18.2	12.0	0.70
E10B-1SS	15.875	9.65	10.16	5.08	14.7	—	20.9	14.5	0.95
E12B-1SS	19.05	11.68	12.07	5.72	16.1	—	24.2	18.5	1.25
E16B-1SS	25.4	17.02	15.88	8.28	21.0	—	37.4	40.0	2.70
E20B-1SS	31.75	19.56	19.05	10.19	26.4	—	45.0	59.0	3.6
E06B-2SS	9.525	5.72	6.35	3.28	8.2	10.24	24.4	14.0	0.78
E08B-2SS	12.7	7.75	8.51	4.45	11.8	13.92	32.2	24.0	1.35
E10B-2SS	15.875	9.65	10.16	5.08	14.7	16.59	37.5	29.0	1.80
E12B-2SS	19.05	11.68	12.07	5.72	16.1	19.46	43.6	37.0	2.50
E16B-2SS	25.4	17.02	15.88	8.28	21.0	31.88	69.3	80.0	5.40

Note: Other sizes available on request.

### Connecting Links

- A - Riveting Outer Link
- B - Roller Link (Inner Link)
- C - Double Offset Link
- E - Spring Clip Conn. Link
- L - Single Offset Link (Half Link)
- S - Cottered Conn. Link



## Nickel Plated Roller Chains

Metric (British Standard) and ANSI nickel plated chains can be ordered as follows using the part numbers referenced. Dimensions are the same as the standard.

ANSI Nickel Plated	
Single	Double
E25-1NP RIV	E25-2NP RIV
E35-1NP RIV	E35-2NP RIV
E40-1NP RIV	E40-2NP RIV
E41-1NP RIV	—
E50-1NP RIV	E50-2NP RIV
E60-1NP RIV	E60-2NP RIV
E80-1NP RIV	E80-2NP RIV
E100-1NP RIV	E100-2NP RIV
E120-1NP RIV	E120-2NP RIV
E140-1NP RIV	E140-2NP RIV
E160-1NP RIV	E160-2NP RIV

Other sizes available on request.

Metric Nickel Plated	
Single	Double
E04B-1NP RIV	—
E05B-1NP RIV	E05B-2NP RIV
E06B-1NP RIV	E06B-2NP RIV
E08B-1NP RIV	E08B-2NP RIV
E10B-1NP RIV	E10B-2NP RIV
E12B-1NP RIV	E12B-2NP RIV
E16B-1NP RIV	E16B-2NP RIV
E20B-1NP RIV	E20B-2NP RIV
E24B-1NP RIV	E24B-2NP RIV
E28B-1NP RIV	E28B-2NP RIV

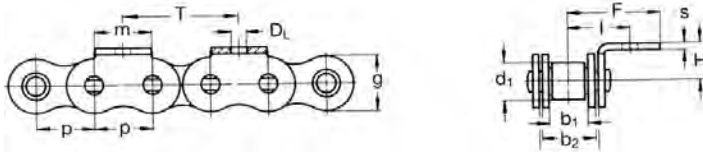


# Metric Stainless Attachment Chain

## E-Series

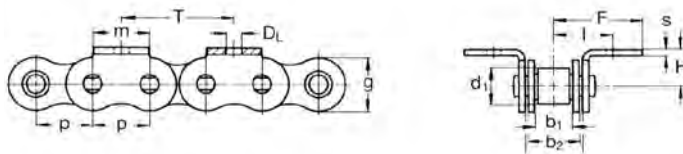


### A1 = Stainless Bent Tab, 1 Hole, 1 Side



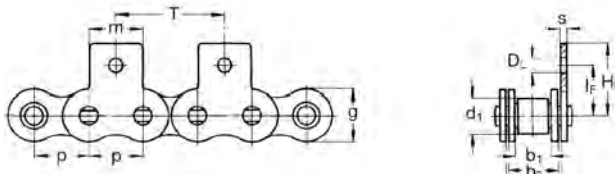
Chain Size	Attachment Connecting Link Part No.
05B-1	E05B-1 SS CL - A1
06B-1	E06B-1 SS CL - A1
08B-1	E08B-1 SS CL - A1
10B-1	E10B-1 SS CL - A1
12B-1	E12B-1 SS CL - A1
16B-1	E16B-1 SS CL - A1

### K1 = Stainless Bent Tab, 1 Hole, 2 Sides



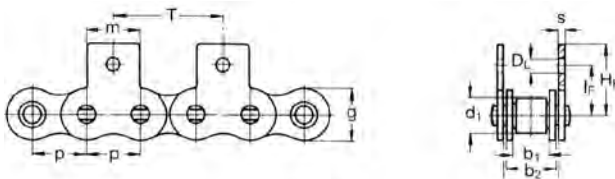
Chain Size	Attachment Connecting Link Part No.
05B-1	E05B-1 SS CL - K1
06B-1	E06B-1 SS CL - K1
08B-1	E08B-1 SS CL - K1
10B-1	E10B-1 SS CL - K1
12B-1	E12B-1 SS CL - K1
16B-1	E16B-1 SS CL - K1

### SA1 = Stainless Straight Plate, 1 Hole, 1 Side



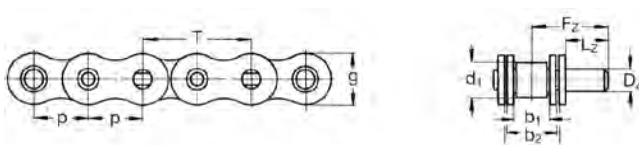
Chain Size	Attachment Connecting Link Part No.
05B-1	E05B-1 SS CL - SA1
06B-1	E06B-1 SS CL - SA1
08B-1	E08B-1 SS CL - SA1
10B-1	E10B-1 SS CL - SA1
12B-1	E12B-1 SS CL - SA1
16B-1	E16B-1 SS CL - SA1

### SK1 = Stainless Straight Plate, 1 Hole, 2 Sides



Chain Size	Attachment Connecting Link Part No.
05B-1	E05B-1 SS CL - SK1
06B-1	E06B-1 SS CL - SK1
08B-1	E08B-1 SS CL - SK1
10B-1	E10B-1 SS CL - SK1
12B-1	E12B-1 SS CL - SK1
16B-1	E16B-1 SS CL - SK1

### EP1 = Stainless Extended Pin



Chain Size	Attachment Connecting Link Part No.
05B-1	E05B-1 SS CL - EP1
06B-1	E06B-1 SS CL - EP1
08B-1	E08B-1 SS CL - EP1
10B-1	E10B-1 SS CL - EP1
12B-1	E12B-1 SS CL - EP1
16B-1	E16B-1 SS CL - EP1

T = 2p as shown, other spacing as required.

Chain Size	Pitch p		Inner Width b <sub>1</sub> min mm	Inner Link Width b <sub>2</sub> max mm	Roller Dia. d <sub>1</sub> min mm	Plate Height g max. mm	Attachment Dimensions										
	mm	in					m	D <sub>L</sub> mm	I mm	F mm	H mm	I <sub>F</sub> mm	H <sub>F</sub> mm	S mm	D <sub>Z</sub> h9	L <sub>Z</sub> mm	F <sub>Z</sub> mm
05B-1	8	—	3.00	4.77	5.00	7.1	8.0	3.20	6.6	12.0	5.0	7.5	13.0	0.80	4.0	10	13.3
06B-1*	9.525	3/8	5.72	8.53	6.35	8.2	8.0	3.50	9.5	13.5	6.5	9.0	13.4	1.25	5.0	15	20.7
08B-1	12.7	1/2	7.75	11.30	8.51	11.8	12.5	4.50	13.1	19.0	10.0	14.7	20.3	1.60	6.0	15	22.4
10B-1	15.875	5/8	9.65	13.28	10.16	14.7	15.0	5.50	16.7	27.0	10.0	17.2	26.7	1.70	6.5	20	28.5
12B-1	19.5	3/4	11.68	15.62	12.07	16.1	18.5	6.60	18.5	29.0	11.0	18.7	29.0	1.80	7.0	20	29.8
16B-1	25.4	1	17.02	25.40	15.88	21.0	25.0	10.00	28.9	41.5	18.0	41.8	28.6	3.00	10.0	30	45.9

\* With straight side plates only.

Note: The above attachments are Connecting Type Links for simple assembly by the equipment user. Chain with riveted attachments can be assembled to order at PTI in Charlotte. Inner Links with attachments, although not as common, are also possible from production. For custom chains, please detail the requirements on the Attachment Detail page.

# Attachment Chain Worksheet



## Overview

Attachment Chain is unique to the machine or application. The position and type of links are important. If a drawing exists of the chain, this will be adequate to produce a replacement. If no drawing is available, completing the following detail will help determine the replacement chain requirements.

European or Metric Chain is produced according to an ISO / DIN Standard. Attachments of different European brands may have slight dimensional differences. Frequently these small differences may not be critical. The details below will identify important parameters. Therefore if a brand of chain

can be identified on a side plate marking, this will assist our Sales Department for an exact match. Brand attachments may have slight dimensional differences and DIN attachments are generally considered universal attachments. PTI Sales will assist you with this detail and/or comparison.

On a Bent Tab Attachment for instance, the distance of the Tab Hole from the chain center line or the height of the Tab may be important. All of these comparable dimensions between brands are similar and should be considered. Application requirements may also be a determining factor as to which dimensions are critical to duplicate.

## Attachment Types

PTI stocks Attachment Links that are Connecting Links. These Links can be used to custom assemble or repair an Attachment Chain. PTI also stocks Riveting Attachment Links that allow an Attachment Chain to be produced rather quickly and to be a continuous riveted chain with one or no master links. Our production capability in Europe will also produce these custom chains, especially when long strands, volume or delivery time allows.

Attachments are most commonly part of the chain outer links. Similar or matching links are also possible on the Inner or Roller Link. These types are less common, but considered standard. So please detail requirements carefully. Lastly, as a guide, if you prefer that PTI help identify the attachment details, we can issue a Return of Goods Shipping Number for you to send us a sample of the chain.

## Application:

Chain Size or Pitch: Single, Double, Triple, Brand or Drawing (if available): \_\_\_\_\_

Material requirements: Steel, Stainless Steel, Nickel Plated, Marathon Lube Free, Marathon Stainless Lube Free, Other: \_\_\_\_\_

Length of strands: Feet or Meters or total number of links: \_\_\_\_\_

Total number of Strands and other details: \_\_\_\_\_

## Most Common Attachments



A1



K1



SA1



SK1



EP1

## Chain Sets, Matching

Metric chain typically assembles in 5 meter (16.5 ft) lengths unless specified. Longer lengths are possible. Strands in notched pairs are clearly marked for final assembly. All chain is pre-stretched so matching becomes as simple as assembly.



A2



K2



SA2

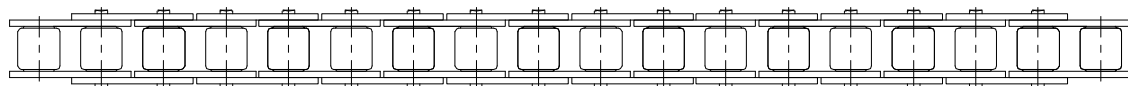
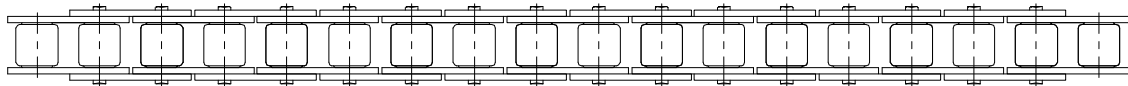


SK2



R1

Use the chain sketch below to indicate attachment position.

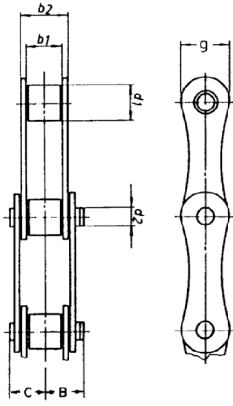


# Double Pitch Roller Chain

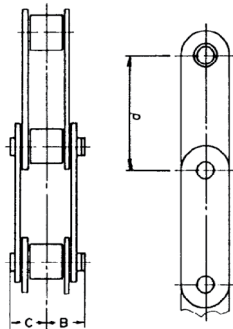
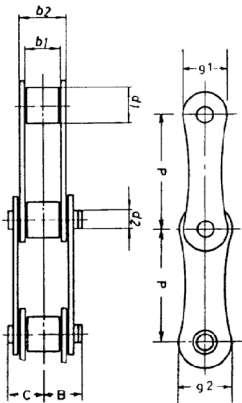


## E-Series

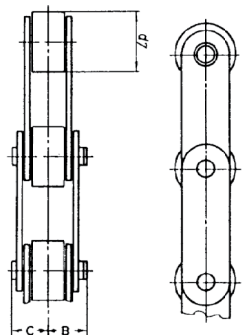
Double Pitch Roller Chains are available in Metric and ANSI versions. Curved and straight side plates are also available. These chains, like the standard roller chains, are manufactured to DIN and ANSI standards. Chains with attachments available on request.



Type A with curved side plates



Type C with straight side plates



Type C with large rollers LR

### Metric Chains: DIN 8181 - Type A - with Standard Rollers

Part No.	Pitch	Inner Width	Roller Dia.	Pin Dia.	Plate Depth	Overall Width		Inner Link Width	Breaking Load	Approx. Wt.
	p mm	b <sub>1</sub> min mm	d <sub>1</sub> max. mm	d <sub>2</sub> max. mm	g mm	B mm	C mm	b <sub>2</sub> mm	N	kg/m
E208B	25.40	7.75	8.51	4.45	11.81	12.4	8.5	11.3	18000	0.5
E210B	31.75	9.65	10.16	5.08	14.73	13.9	9.8	13.3	22400	0.6
E212B	38.10	11.68	12.07	5.72	16.13	15.95	11.35	15.6	29000	0.8
E216B	50.80	17.02	15.88	8.28	21.08	23.45	18.05	25.4	60000	1.75
E220B	63.50	19.56	19.05	10.19	26.42	27.7	21.6	29.0	95000	2.63
E224B	76.20	25.40	25.40	14.63	33.40	33.3	26.7	37.9	160000	4.5

### ANSI Chains: Type A - with Standard Rollers

Part No.	Pitch	Inner Width	Roller Dia.	Pin Dia.	Plate Depth		Overall Width		Inner Link Width	Breaking Load	Approx. Wt.
	p in	b <sub>1</sub> min in	d <sub>1</sub> max. in	d <sub>2</sub> max. in	g <sub>1</sub> in	g <sub>2</sub> in	B in	C in	b <sub>2</sub> in	lb	lb/ft
EA2040	1	.312	.312	.156	.409	.468	.380	.325	.432	3700	0.31
EA2050	1-1/4	.375	.400	.200	.524	.571	.469	.406	.535	6100	0.52
EA2060	1-1/2	.500	.469	.234	.606	.679	.600	.506	.688	8500	0.80

### ANSI Chains: Type C - with Standard or Large Rollers

Part No.	Pitch	Inner Width	Roller Dia.	Pin Dia.	Plate Depth	Overall Width		Inner Link Width	Breaking Load	Approx. Wt.
	p in	b <sub>1</sub> min in	d <sub>1</sub> max. in	d <sub>2</sub> max. in	g in	B in	C in	b <sub>2</sub> in	lb	lb/ft
EC2040	1	.312	.312	.156	.468	.380	.325	.432	3700	0.34
EC2042	1	.312	.625	.156	.468	.380	.325	.432	3700	0.58
EC2050	1-1/4	.375	.400	.200	.571	.469	.406	.535	6100	0.58
EC2052	1-1/4	.375	.750	.200	.571	.469	.406	.535	6100	0.90
EC2060	1-1/2	.500	.469	.234	.679	.600	.506	.750	8500	1.00

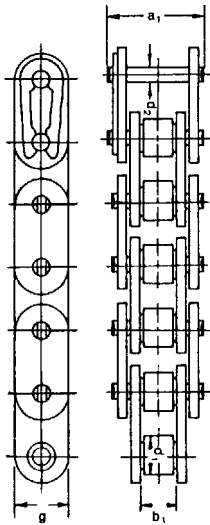
### ANSI Chains: Heavy Type H - with Standard or Large Rollers

Part No.	Pitch	Inner Width	Roller Dia.	Pin Dia.	Plate Depth	Overall Width		Inner Link Width	Breaking Load	Approx. Wt.
	p in	b <sub>1</sub> min in	d <sub>1</sub> max. in	d <sub>2</sub> max. in	g in	B in	C in	b <sub>2</sub> in	lb	lb/ft
EC2060H	1-1/2	.500	.469	.234	.677	.652	.573	.750	9000	1.01
EC2062H	1-1/2	.500	.875	.234	.677	.652	.573	.750	9000	1.47
EC2080H	2	.625	.625	.312	.906	.823	.720	.937	15400	1.62
EC2082H	2	.625	1.125	.312	.906	.823	.720	.937	15400	2.37
EC2100H	2-1/2	.750	.750	.375	1.15	.980	.830	1.125	24000	2.30
EC2102H	2-1/2	.750	1.562	.375	1.15	.980	.830	1.125	24000	3.75
EC2120H	3	1.000	.875	.437	1.37	1.210	1.030	1.438	34000	3.70
EC2122H	3	1.000	1.750	.437	1.37	1.210	1.030	1.438	34000	5.71

# Metric Roller Chain with Straight Side Plates



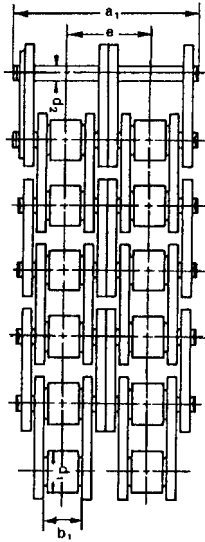
## E-Series



Our Metric Roller Chain with straight side plates is manufactured to DIN 8187 ISO 606B standards. GL designates straight plates. Packaged in 5 meter lengths. Other lengths available on request.

### Roller Chain with Straight Side Plates - Simplex

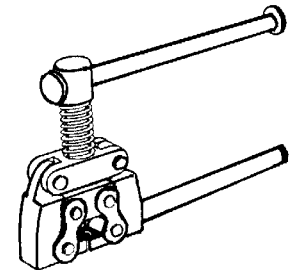
Part No.	Pitch	Inner Width	Roller Dia.	Pin Dia.	Plate Depth	Transverse Pitch	Conn Pin Length	Bearing Area	Breaking Load	Approx. Wt.
	p mm	b <sub>1</sub> min mm	d <sub>1</sub> max. mm	d <sub>2</sub> max. mm	g max. mm	e mm	a <sub>1</sub> max. mm	A cm <sup>2</sup>	N	kg/m
E06B-1 GL	9.525	5.72	6.35	3.28	8.2	—	16.8	0.28	9000	0.41
E08B-1 GL	12.7	7.75	8.51	4.45	11.8	—	19.0	0.50	18200	0.70
E10B-1 GL	15.875	9.65	10.16	5.08	14.7	—	20.5	0.67	22400	0.95
E12B-1 GL	19.05	11.68	12.07	5.72	16.1	—	24.2	0.89	29000	1.25
E16B-1 GL	25.4	17.02	15.88	8.28	21.0	—	39.4	2.10	60000	2.70
E20B-1 GL	31.75	19.56	19.05	10.19	26.4	—	43.6	2.96	95000	3.60
E24B-1 GL	38.1	25.4	25.4	14.63	33.2	—	57.8	5.54	160000	7.47



### Roller Chain with Straight Side Plates - Duplex

Part No.	Pitch	Inner Width	Roller Dia.	Pin Dia.	Plate Depth	Transverse Pitch	Conn Pin Length	Bearing Area	Breaking Load	Approx. Wt.
	p mm	b <sub>1</sub> min mm	d <sub>1</sub> max. mm	d <sub>2</sub> max. mm	g max. mm	e mm	a <sub>1</sub> max. mm	A cm <sup>2</sup>	N	kg/m
E06B-2 GL	9.525	5.72	6.35	3.28	8.2	10.24	27.1	0.56	16000	0.78
E08B-2 GL	12.7	7.75	8.51	4.45	11.8	13.92	33.2	1.01	32800	1.35
E10B-2 GL	15.875	9.65	10.16	5.08	14.7	16.59	37.5	1.34	40000	1.80
E12B-2 GL	19.05	11.68	12.07	5.72	16.1	19.46	43.9	1.79	53000	2.50
E16B-2 GL	25.4	17.02	15.88	8.28	21.0	31.88	71.9	4.21	106000	5.40
E20B-2 GL	31.75	19.56	19.05	10.19	26.4	36.45	80.3	5.91	170000	7.20

## Chain Breakers



Part No.	Chain Sizes		For Pitch Sizes (ANSI or DIN)
	ANSI	DIN	
CT101	25, 35, 40, 50	06B, 08B, 10B	1/4" to 5/8"
CT102	60, 80	12B, 16B	3/4" to 1"
CT103	100, 120, 140, 160	20B, 24B, 28B, 32B	1-1/4" to 2"

# Hollow Pin Chain

## E-Series



Hollow Pin Chains per ANSI and DIN standards. Sprockets available on request.

### Hollow Pin Roller Chains - ANSI Standard

Part No.	Pitch	Inner Width	Roller Dia.	Hollow Pin Dia.	Plate Depth max	Chain Width	Breaking Load	Approx. Wt.
	p in	b <sub>1</sub> min in	d <sub>1</sub> max. in	d <sub>2</sub> in	g in	L <sub>1</sub> in	lb	lb/ft
E40 HP	1/2	.312	.312	.157	.472	0.689	2420	0.36
E50 HP	5/8	.375	.400	.202	.591	0.855	4400	0.58
E60 HP	3/4	.500	.469	.236	.713	1.055	5940	0.85
E80 HP	1	.625	.625	.316	.949	1.341	10800	1.60

### Hollow Pin Roller Chains - DIN Standard

Part No.	Pitch	Inner Width	Roller Dia.	Hollow Pin Dia.	Breaking Load	Approx. Wt.
	p mm	b min mm	D <sub>1</sub> max. mm	d mm	N	kg/m
E08 B-1 HP (4.5)	12.7	7.75	8.51	4.5	13500	0.7
E08 B-1 HP (4.0)	12.7	7.75	8.51	4.0	10000	0.7
E10 B-1 HP	15.875	9.65	10.16	5.0	14500	0.9
E12 B-1 HP	19.05	11.70	12.07	5.75	18500	1.1
E12 B-1 HP (4.0)	19.5	11.70	12.07	4.0	18500	1.1

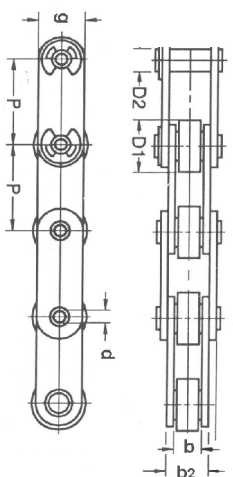
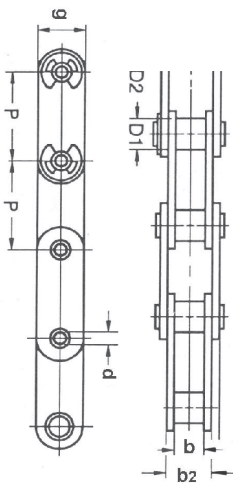
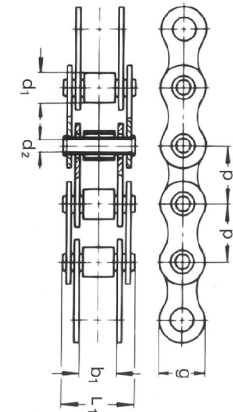
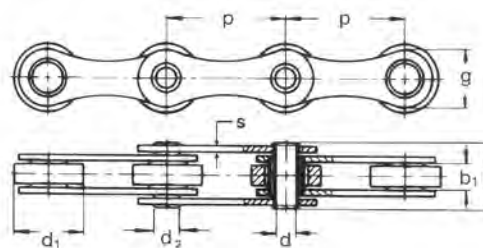
### Double Pitch Hollow Pin Chains

Part No.	Pitch	Inner Width	Roller Dia.	Pin Dia.	Hollow Pin Dia.	Plate Depth max	Chain Width		Inner Link Width	Breaking Load	Approx. Wt.
	p in	b min mm	D <sub>1</sub> max. mm	D <sub>2</sub> max. mm	d mm	g mm	B mm	C mm	b <sub>2</sub> mm	lb	lb/ft
EC2040 HP	1	.312	.312	.224	.157	.472	.374	.315	.432	2420	0.31
EC2042 HP	1	.312	.625	.224	.157	.472	.374	.315	.432	2420	0.55
EC2050 HP	1-1/4	.375	.400	.284	.202	.591	.459	.396	.535	4400	0.50
EC2052 HP	1-1/4	.375	.750	.284	.202	.591	.459	.396	.535	4400	0.81
EC2060 HP	1-1/2	.500	.469	.330	.236	.677	.561	.494	.688	5940	0.93
EC2062 HP	1-1/2	.500	.875	.330	.236	.677	.561	.494	.688	5940	1.38
EC2080 HP	2	.625	.625	.448	.316	.906	.701	.640	.875	10800	1.21
EC2082 HP	2	.625	1.125	.448	.316	.906	.701	.640	.875	10800	1.88

### Hollow Pin Roller Chains

Part No.	Pitch	Inner Width	Roller Dia.	Pin Dia.	Hollow Pin Dia.	Plate Thickness	Plate Depth	Chain Width	Breaking Load	Approx. Wt.
	p mm	b <sub>1</sub> mm	d <sub>1</sub> max. mm	d <sub>2</sub> max. mm	d mm	S mm	g mm	L mm	N mm	kg/m
E-HB50 x 10	50	10	30.0	11.5	8.0	3.0	25.4	26.6	50000	2.0
E-HB50.8 x 10	50.8	10	30.0	11.5	8.0	3.0	25.4	26.6	50000	2.0
E-HB100 x 10	100	10	30.0	11.5	8.0	3.0	25.4	26.6	50000	2.0

HB 50, HB 50.8, HB 100



# Lube Free Roller Chain

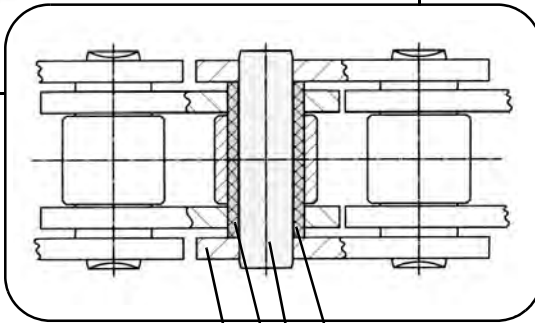
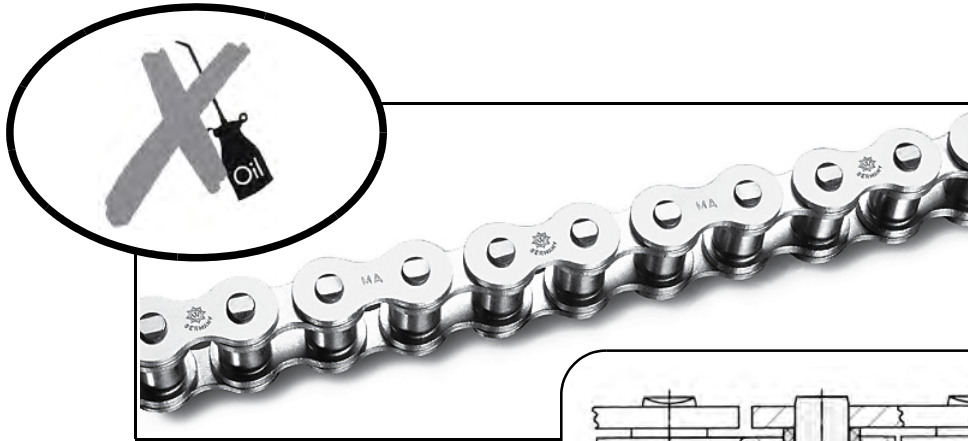


## Marathon Series

Our MA-Series Marathon Maintenance Free Chain requires no further lubrication and may provide up to 35 times greater life as compared to standard roller chains as well as up to 5 times greater service life with other maintenance free chains. The ultra high strength oil impregnated sintered bushings fit tightly to side plates sealing the chain from

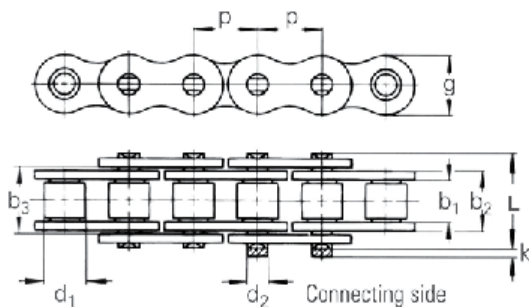
possible contaminants that can wear pins and bushings. The pins are specially hardened and coated to help provide the extended life. These chains fit standard sprockets. A stainless steel version is also available.

Marathon chain is made in Germany.

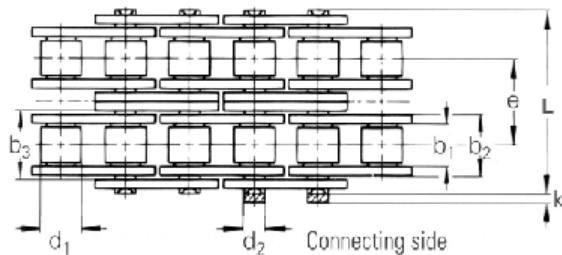


- Sealed joints
- Non-wearing pins
- Ultra-high strength, oil-impregnated sintered bushing
- Corrosion-protected zinc galvanized plates and rollers

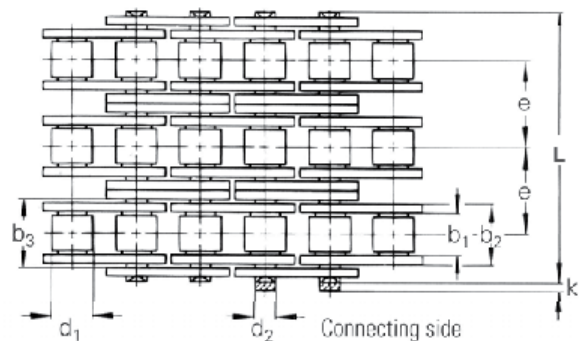
### Simplex chains



### Duplex chains



### Triplex chains



# ANSI Lube Free Roller Chain Marathon Series



	Part No.	Pitch	Inner Width	Inner Link Width	Roller Dia.	Pin Dia.	Plate Depth	Transverse Pitch	Conn Pin Length	Project. over Conn Link	Breaking Load	Approx. Wt.
		p in	b <sub>1</sub> in	b <sub>2</sub> in	d <sub>1</sub> in	d <sub>2</sub> in	g in	e in	L in	k in	lbs	lb/ft
SIMPLEX	MA-40-1 RIV	1/2	0.312	0.439	0.312	0.156	0.472	—	0.701	0.15	3750	0.41
	MA-50-1 RIV	5/8	0.375	0.543	0.400	0.200	0.591	—	0.858	0.16	6800	0.67
	MA-60-1 RIV	3/4	0.500	0.697	0.468	0.234	0.709	—	1.059	0.18	9000	1.05
	MA-80-1 RIV	1	0.625	0.886	0.625	0.312	0.949	—	1.319	0.21	15700	1.57
	MA-100-1 RIV	1-1/4	0.750	1.079	0.75	0.375	1.185	—	1.618	0.24	21000	2.53
MA-120-1 RIV	1-1/2	1	1.39	0.875	0.437	1.425	—	2	0.26	31600	3.6	
DUPLEX	MA-40-2 RIV	1/2	0.312	0.439	0.312	0.156	0.472	0.566	1.27	0.15	6750	0.82
	MA-50-2 RIV	5/8	0.375	0.543	0.400	0.200	0.591	0.713	1.57	0.16	14000	1.2
	MA-60-2 RIV	3/4	0.500	0.697	0.468	0.234	0.709	0.898	1.96	0.18	17300	2.1
	MA-80-2 RIV	1	0.625	0.886	0.625	0.312	0.949	1.152	2.47	0.21	30700	2.8
	MA-100-2 RIV	1-1/4	0.750	1.079	0.75	0.375	1.185	1.408	3.03	0.24	46600	5.1
MA-120-2 RIV	1-1/2	1	1.39	0.875	0.437	1.425	1.788	3.79	0.26	65900	7.2	
TRIPLEX	MA-40-3 RIV	1/2	0.312	0.439	0.312	0.156	0.472	0.566	1.839	0.15	9350	1.2
	MA-50-3 RIV	5/8	0.375	0.543	0.400	0.200	0.591	0.713	2.28	0.16	20000	2
	MA-60-3 RIV	3/4	0.500	0.697	0.468	0.234	0.709	0.898	2.858	0.18	23850	3.1
	MA-80-3 RIV	1	0.625	0.886	0.625	0.312	0.949	1.152	3.61	0.21	43850	5
	MA-100-3 RIV	1-1/4	0.750	1.079	0.75	0.375	1.185	1.408	4.449	0.24	69300	7.5
MA-120-3 RIV	1-1/2	1	1.39	0.875	0.437	1.425	1.788	5.551	0.26	93200	10.7	

# Metric Lube Free Roller Chain Marathon Series

	Part No.	Pitch p		Inner Width	Inner Link Width	Roller Dia.	Pin Dia.	Plate Depth	Transverse Pitch	Conn Pin Length	Project. over Conn Link	Breaking Load	Approx. Wt.
		mm	in	b <sub>1</sub> mm	b <sub>2</sub> mm	d <sub>1</sub> mm	d <sub>2</sub> mm	g mm	e mm	L mm	k mm	N	kg/m
SIMPLEX	MA-06B-1 RIV	9.525	3/8	5.72	8.53	6.35	3.28	8.2	—	13.5	3.3	9600	0.4
	MA-08B-1 RIV	12.7	1/2	7.75	11.3	8.51	4.45	11.8	—	17	3.9	18600	0.7
	MA-10B-1 RIV	15.875	5/8	9.65	13.28	10.16	5.08	14.7	—	19.6	4.1	27000	0.9
	MA-12B-1 RIV	19.05	3/4	11.68	15.62	12.07	5.72	16.1	—	22.7	4.6	31000	1.2
	MA-16B-1 RIV	25.4	1	17.02	25.4	15.88	8.28	21	—	36.1	5.4	72000	2.7
	MA-20B-1 RIV	31.75	1-1/4	19.56	29	19.05	10.19	26.4	—	43.2	6.1	105000	3.5
MA-24B-1 RIV	38.1	1-1/2	25.4	37.9	25.4	14.63	33.4	—	53.4	6.6	180000	6.8	
DUPLEX	MA-06B-2 RIV	9.525	3/8	5.72	8.53	6.35	3.28	8.2	10.24	23.8	3.3	17400	0.8
	MA-08B-2 RIV	12.7	1/2	7.75	11.3	8.51	4.45	11.8	13.92	31	3.9	37000	1.4
	MA-10B-2 RIV	15.875	5/8	9.65	13.28	10.16	5.08	14.7	16.59	36.2	4.1	54000	1.8
	MA-12B-2 RIV	19.05	3/4	11.68	15.62	12.07	5.72	16.1	19.46	42.2	4.6	63000	2.4
	MA-16B-2 RIV	25.4	1	17.02	25.4	15.88	8.28	21	31.88	68	5.4	140000	5.3
	MA-20B-2 RIV	31.75	1-1/4	19.56	29	19.05	10.19	26.4	36.45	79	6.1	210000	7.3
MA-24B-2 RIV	38.1	1-1/2	25.4	37.9	25.4	14.63	33.4	43.36	101	6.6	360000	13.4	
TRIPLEX	MA-06B-3 RIV	9.525	3/8	5.72	8.53	6.35	3.28	8.2	10.24	34	3.3	24900	1.2
	MA-08B-3 RIV	12.7	1/2	7.75	11.3	8.51	4.45	11.8	13.92	44.9	3.9	56000	2
	MA-10B-3 RIV	15.875	5/8	9.65	13.28	10.16	5.08	14.7	16.59	52.8	4.1	80000	2.7
	MA-12B-3 RIV	19.05	3/4	11.68	15.62	12.07	5.72	16.1	19.46	61.7	4.6	94000	3.1
	MA-16B-3 RIV	25.4	1	17.02	25.4	15.88	8.28	21	31.88	99.9	5.4	211000	7.5
	MA-20B-3 RIV	31.75	1-1/4	19.56	29	19.05	10.19	26.4	36.45	116	6.1	300000	10.6
MA-24B-3 RIV	38.1	1-1/2	25.4	37.9	25.4	14.63	33.4	43.36	150	6.6	523000	20	

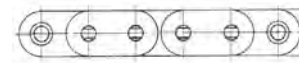
## Other Marathon Series Lube Free Chain



MA-Series Attachment

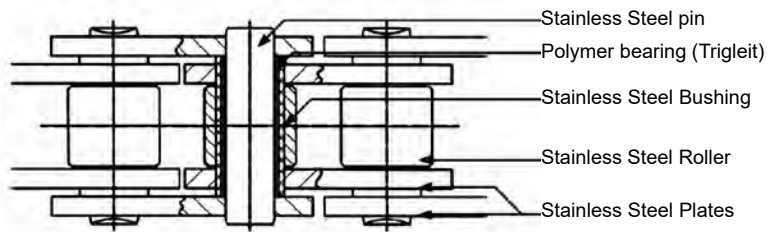


MA-Series Double Pitch



MA-Series Straight Links

# Lube Free - Stainless Roller Chain Marathon Chain



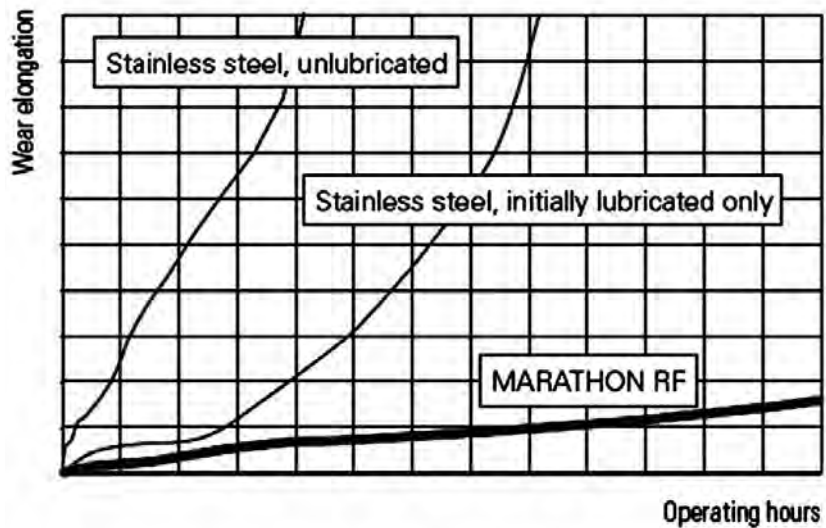
High performance polymer bearings (TRIGLEIT) allow operation of stainless steel chains without re-lubrication!

- Durable and low-friction polymer bearing (TRIGLEIT)
- All other chain components made of stainless steel grades
- Maximum chain speed  $v = 2.5$  m/s
- Working temperatures  $-30^{\circ}\text{C}$  to  $+60^{\circ}\text{C}$  ( $-22^{\circ}\text{F}$  to  $140^{\circ}\text{F}$ ), Higher temperatures on request
- Chain dimensions according to DIN 8187: Stainless steel sprockets also available from stock
- No re-lubrication required
- Re-lubrication with mineral oils possible (no ester oils)
- Can also be supplied with extended pins, straight attachments, bent attachments and custom designs
- Information on chemical resistance available on request



## Typical Applications:

- Packing equipment
- Chemical processing machines
- Pharmaceutical equipment
- Textile machinery
- Food processing
- Sanitation recycling
- Electrical equipment processing



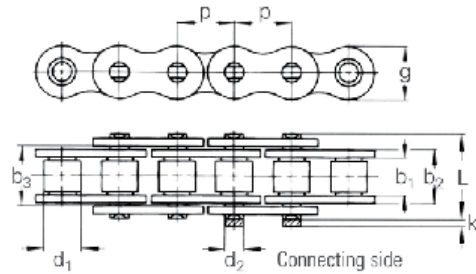


# Lube Free - Stainless Roller Chain

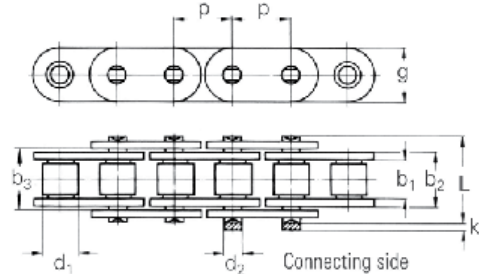


## Marathon Series

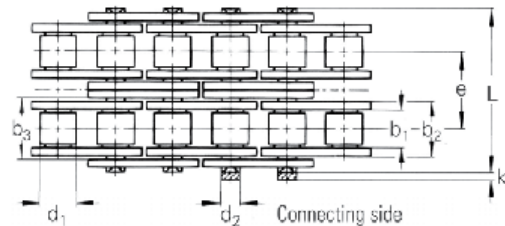
### Simplex chains



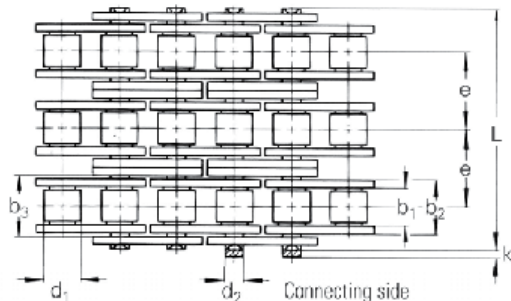
### Simplex chains (Type GL)



### Duplex chains



### Triplex chains



No. 4  
Inner Link



No. 7  
Riveting  
Link



No. 11  
Spring Clip  
Conn. Link



No. 111  
Cottered  
Conn. Link



No. 12  
Offset Link  
(Half Link)



No. 15  
Double Offset  
Link

Part No.	Pitch		Dimensions										Tensile Strength		Wt. kg	Connecting Links
	p		b <sub>1</sub> min	b <sub>2</sub> max	b <sub>3</sub> min	d <sub>1</sub> max	d <sub>2</sub>	e	g max	k max	L max	Bearing Area f cm <sup>2</sup>	F <sub>B</sub> min kN			
	mm	in												mm		
MA-08B-1SS	12.7	1/2	7.75	11.30	11.43	8.51	4.45	—	11.8	3.9	17.0	0.50	12.00	0.70	4, 7, 11, 12, 15	
MA-10B-1SS	15.875	5/8	9.65	13.28	13.41	10.16	5.08	—	14.7	4.1	19.6	0.67	14.50	0.91	4, 7, 11, 12, 15	
MA-12B-1SS	19.05	3/4	11.68	15.62	15.75	12.07	5.72	—	16.1	1.6	22.7	0.89	18.50	1.18	4, 7, 11, 12, 15	
MA-16B-1SS	25.4	1	17.02	25.40	25.60	15.88	8.28	—	21.0	5.4	36.1	2.10	40.00	2.50	4, 7, 11, 12	
MA-08B-2SS	12.7	1/2	7.75	11.30	11.43	8.51	4.45	13.92	11.8	3.9	31.0	1.01	20.40	1.36	4, 7, 11, 12, 15	
MA-10B-2SS	15.875	5/8	9.65	13.28	13.41	10.16	5.08	16.59	14.7	4.1	36.2	1.34	24.65	1.82	4, 7, 11, 12, 15	
MA-12B-2SS	19.05	3/4	11.68	15.62	15.75	12.07	5.72	19.46	16.1	4.6	42.2	1.79	31.45	2.38	4, 7, 11, 12, 15	
MA-16B-2SS	25.4	1	17.02	25.40	25.60	15.88	8.28	31.88	21.0	5.4	68.0	4.21	68.00	5.10	4, 7, 11, 12	
MA-08B-3SS	12.7	1/2	7.75	11.30	11.43	8.51	4.45	13.92	11.8	3.9	44.9	1.51	32.50	2.01	4, 7, 11, 12, 15	
MA-10B-3SS	15.875	5/8	9.65	13.28	13.41	10.16	5.08	16.59	14.7	4.1	52.8	2.02	39.00	2.70	4, 7, 11, 12, 15	
MA-12B-3SS	19.05	3/4	11.68	15.62	15.75	12.07	5.72	19.46	16.1	4.6	61.7	2.68	49.50	3.12	4, 7, 11, 12, 15	
MA-16B-3SS	25.4	1	17.02	25.40	25.60	15.88	8.28	31.88	21.0	5.4	99.9	6.31	108.00	7.50	4, 7, 11, 12	

Note: Can also be supplied with attachments, straight plates (type series GL) and as double pitch roller chains (dimensions according to DIN 8181) Stainless Sprockets available on request. Made in Germany.

# Accumulator Chain



## For Automated Conveying Systems

Accumulator Chains for Automated Conveyor Systems are available with steel or plastic rollers. Chains are available in stainless steel as well. The load may be proportionally increased for shorter steel as well. The load may be proportionally increased for shorter strands and must be proportionally decreased for longer conveyor distances.

For Example: 5m Conveyor Distance = Double the allowable load, 20m of Conveyor Distance = half load. Max load per meter is pro-

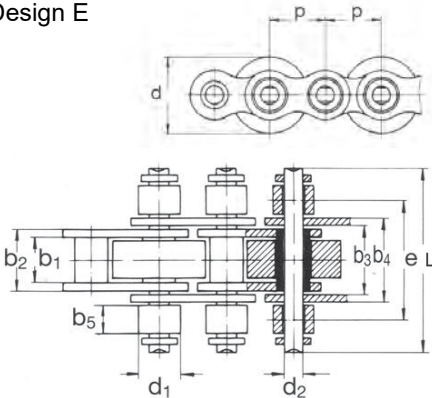
vided on adjacent page and based on a chain length of 10 meters. If a shorter chain is used, for example 5 meters, then the load per meter can be doubled. If 20 meters of chain are used, then only half of the load per meter is permitted.

Maximum conveyor distance of 25-30 meters is recommended.

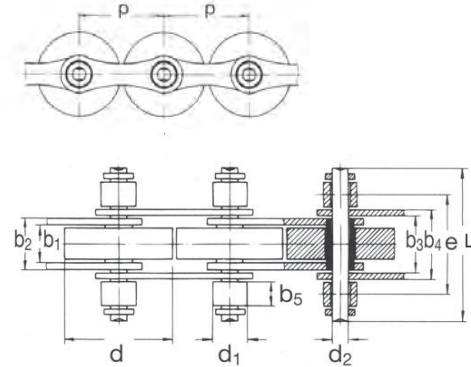
Guide Channels for Rollers are also suggested.



Design E



Design L



## Standard

Part No.	Pitch		Dimensions											
	P	Design	b <sub>1</sub> min mm	b <sub>2</sub> max mm	b <sub>3</sub> min mm	b <sub>4</sub> max mm	d <sub>1</sub> mm	d <sub>2</sub> max mm	e mm	g max mm	Roller 1		Roller 2	
											L max mm	b <sub>5</sub> max mm	L max mm	b <sub>5</sub> max mm
E12B-1-513SF	19.05	E	11.68	15.62	15.80	20.0	12.00	5.72	31.50	16.1	48.0	11.5	43.0	9.0
E16B-1-548SF	25.4	E	17.02	25.45	25.81	32.0	15.88	8.28	44.50	21.0	65.0	12.5	—	—
E24B-1-722SF	38.1	L	11.68	15.62	15.80	20.0	12.00	5.72	31.50	16.1	48.0	11.5	—	—
E32B-1-728SF	50.8	L	17.02	25.45	25.81	32.0	15.88	8.28	44.50	21.0	65.0	12.5	—	—
E12B-2-513SF	19.05	D	11.68	15.62	15.80	20.0	12.07	8.72	52.00	16.1	68.0	11.5	—	—
E16B-2-548SF	25.4	D	17.02	25.45	25.81	32.0	15.88	8.28	76.76	21.0	97.0	12.5	—	—
E06B-3-455SF	9.525	T	5.72	8.53	—	—	6.35	3.28	20.48	8.2	34.0	—	—	—
E12B-3-513SF	19.05	T	11.68	15.62	15.80	20.0	12.07	5.72	38.92	16.1	61.7	—	—	—
E16B-3-548SF	25.4	T	17.02	25.45	25.81	32.0	15.88	8.28	63.76	21.0	99.9	—	—	—

Note: Substitute KRF for Plastic or VRF for Nylon Rollers.

## Stainless Steel

E12B-1SS-513SF	19.05	E	11.68	15.62	15.80	20.0	12.00	5.72	31.50	16.1	48.0	11.5	43.0	9.0
E16B-1SS-548SF	25.4	E	17.02	25.45	25.81	32.0	15.88	8.28	44.50	21.0	65.0	12.5	—	—
E24B-1SS-722SF	38.1	L	11.68	15.62	15.80	20.0	12.00	5.72	31.50	16.1	48.0	11.5	—	—
E32B-1SS-728SF	50.8	L	17.02	25.45	25.81	32.0	15.88	8.28	44.50	21.0	65.0	12.5	—	—
E12B-3SS-513SF	19.05	T	11.68	15.62	—	—	12.07	5.72	38.92	16.1	61.7	—	—	—
E16B-3SS-548SF	25.4	T	17.02	25.46	—	—	15.88	8.28	63.76	21.0	99.9	—	—	—

Note: Substitute KRF for Plastic or VRF for Nylon Rollers.

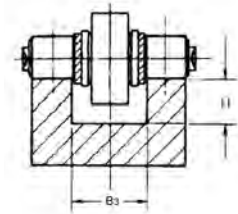
# Accumulator Chain

## For Automated Conveying Systems

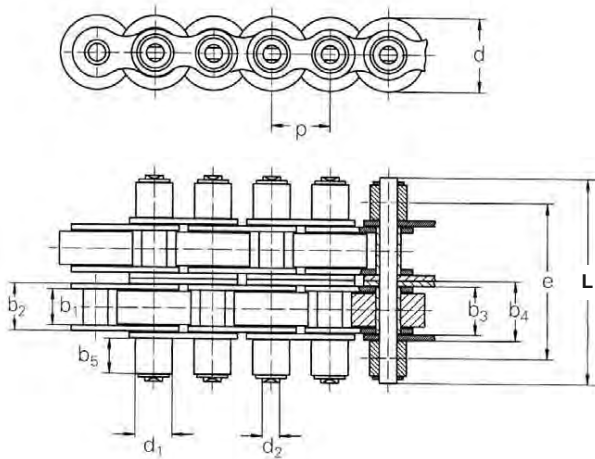
The temperature range for Accumulator Chain is -30° to 100°C for Steel Rollers and -10° to 60°C for Plastic Conveyor Rollers. Sprockets spacing and chain guide details are shown at right.



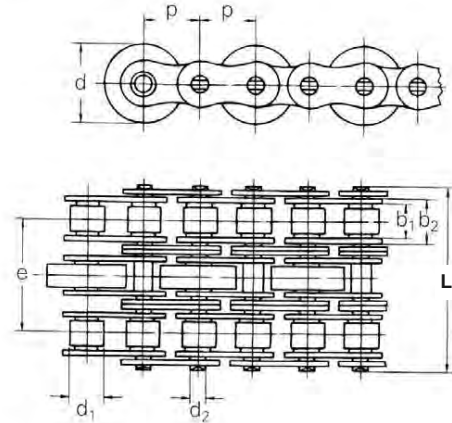
Size	B <sub>3</sub>	H
513 SF	20.8	15.0
513 SFK	20.8	15.0
D 513 SF	40.5	15.0
548 SF	33.0	20.0
D 548 SF	66.0	20.0
722 SF	20.8	15.0
728	33.0	27.0



Design D



Design T



## Standard

Dimensions		Conveyor Rollers						Minimum tensile strength F <sub>B</sub> min kN	Maximum load per m conveyor chain with 10 m conveyor length	
Roller 3		Designation for material			Roller Diameter Options				Steel Roller kg	Plastic Roller kg
L max mm	b <sub>5</sub> max mm	Steel	Plastic PA 6.6	Nylon Vestamid	Roller 1 d	Roller 2 d	Roller 3 d			
40.0	7.5	SF	SFK	SFV	24.0	26.0	28.0	29.00	300	260
—	—	SF	SFK	SFV	38.5	—	—	60.00	600	500
—	—	SF	SFK	SFV	24.0	26.0	28.0	29.00	300	260
—	—	SF	SFK	SFV	38.5	40.0	50.0	60.00	600	500
—	—	SF	SFK	SFV	24.0	26.0	28.0	57.80	600	520
—	—	SF	SFK	SFV	38.5	—	—	120.00	1200	1000
—	—	SF	SFK	SFV	9.2	15.0	—	16.80	100	100
—	—	SF	SFK	SFV	24.0	26.0	28.0	60.00	600	260
—	—	SF	SFK	SFV	38.5	—	—	120.00	1200	500

## Stainless Steel

40.0	75.0	SF RF	SFK RF	SFV RF	24.0	26.0	28.0	18.50	200	200
—	—	SF RF	SFK RF	SFV RV	38.5	—	—	40.00	300	300
—	—	SF RF	SFK RF	SFV RV	24.0	26.0	28.0	18.50	200	200
—	—	SF RF	SFK RF	SFV RV	38.5	40.0	50.0	40.00	300	300
—	—	SF RF	SFK RF	SFV RV	24.0	26.0	28.0	31.45	400	400
—	—	SF RF	SFK RF	SFV RV	38.5	—	—	68.00	600	600

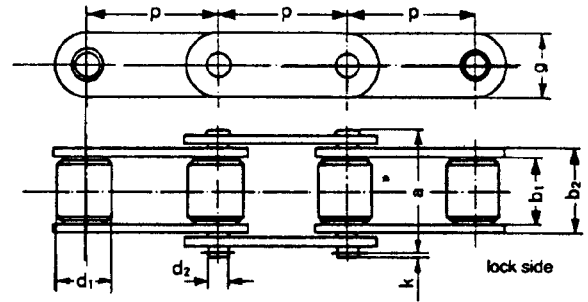
# Agricultural & Lumber Roller Chain



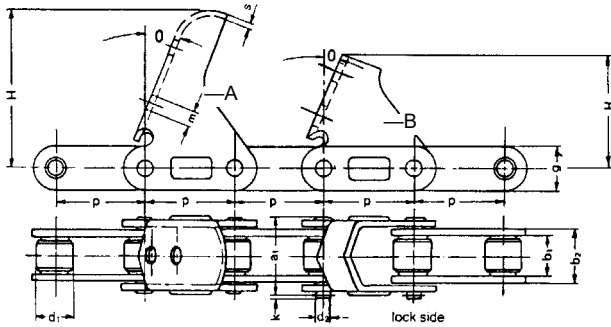
DIN 8189/ISO 487

CA 2060 and CA 550 chains are offered in a wide variety of attachments. Some are shown below. Others available on request.

Part No.	p mm	b <sub>1</sub> mm	b <sub>2</sub> mm	d <sub>1</sub> mm	d <sub>2</sub> mm	a mm	k mm	g mm	Breaking Load kN	Wt. kg/m
E-CA 2060	38.1	12.7	19.4	11.90	5.95	28.6	2.2	18.1	36.0	1.5
E-CA 550	41.4	20.2	25.5	16.7	7.13	34.8	2.6	19.0	51.0	1.85



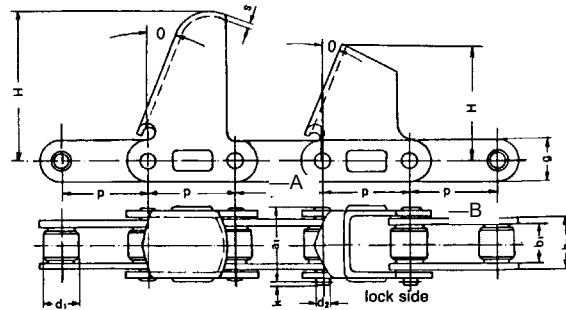
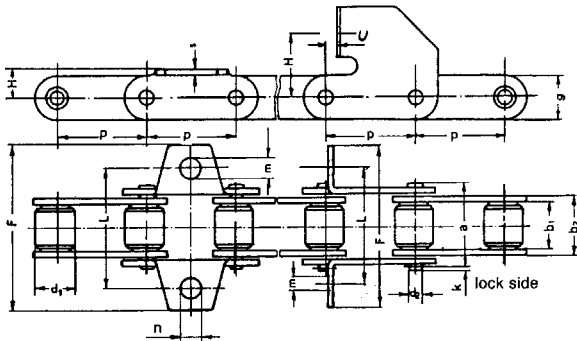
## Attachment Links for Special Double Pitch Roller Chain CA 2060



Attachment	Measurements of attachment links (mm)			
	s	m	O	H
A	3.1	-	22°	63.5
A1	3.1	6.75	22°	63.5
B	3.1	-	22°	57

Other Attachments Available on Request

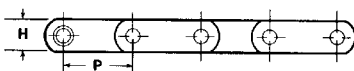
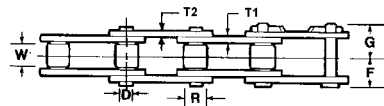
## Attachment Links for Agricultural Roller Chain CA 550



Part No.	Bent Attachments (mm)					Elevator Attachments (mm)						Corn Attachments (mm)				
	S	M	H	L	F	S	M	n	U	H	L	F	Size	S	O	H
E-CA 550	2.6	8.3	12.7	50.8	75.6	2.6	8.7	8.7	3.7	31	47.6	68.2	A	2.7	15°	92.0
													B	2.7	15°	63.5

## 81X Series (Lumber Chain)

E-Series



Dimensions in inches

Part No.	Pitch	Roller Width	Roller Dia.	Plate Height	Plate Thickness		Pin Dia.	Overall Width		Avg. Ult. Strength lb	Wt. lb/ft
	P	W	R	H	T1	T2	D	F	G		
E81X	2.609	1.062	0.905	1.122	0.156	0.156	0.438	0.937	1.125	24250	2.5
E81XH	2.609	1.062	0.905	1.270	0.312	0.218	0.438	1.188	1.343	34520	3.4
E81XHH	2.609	1.062	0.905	1.270	0.312	0.319	0.438	1.260	1.430	43400	4.3

# Metric Rubber Top Attachment Chain

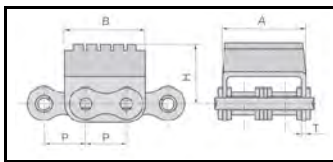
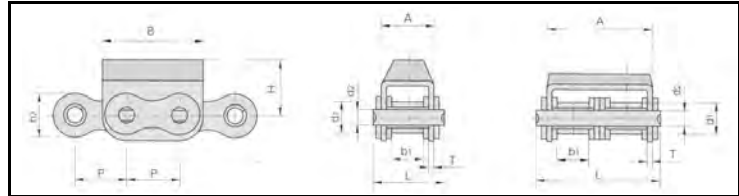


Rubber Top Attachment Chain is available in a wide variety of attachment shapes and several optional rubber or rubber type materials including nitrile and molded neoprene. The typical shore (rubber hardness) is 75 +/-5. Temperature resistance generally 80°C although higher allowable temperatures are possible. Several typical shapes are shown below. Many standard top shapes are available. Similar to attachment type chains, the specific

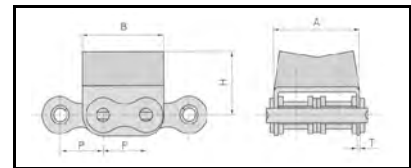
chain size and top dimensions will help determine the exact replacement chain. These are normally provided in custom lengths, fully riveted with a connecting link for final assembly. Rubber top chains are used in wood-working machinery, glass handling industry or synthetic panels that need to be protected from metal chain attachments.



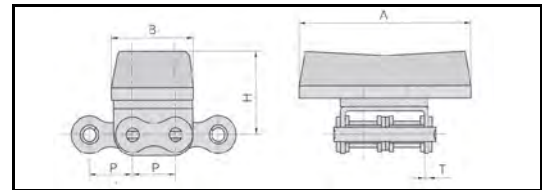
Available in metric chain sizes from 08B thru 24B Chain (1/2 thru 1-1/2" pitch).



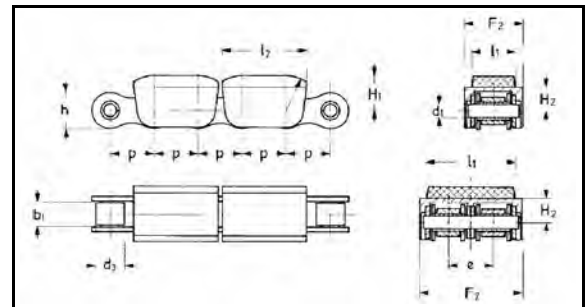
Available in metric chain sizes from 08B & 12B Chain (1/2 & 3/4" pitch).



Available in metric chain sizes from 08B & 12B Chain (1/2 & 3/4" pitch).



AH Polyamide snap on attachments fit standard metric single and double strand roller chains. They also help protect the chain from contamination. They are available for metric chain sizes from 08 thru 20B (1/2" thru 1-1/4" pitch BS Chain). The rubber tops are 50-60 Shore.



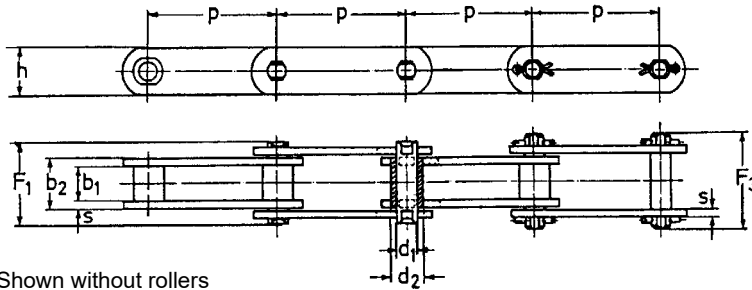
Dimensions in mm

Part No	p mm	b <sub>1</sub> min. min	d <sub>1</sub> mm h <sub>g</sub>	d <sub>3</sub> mm max	e mm	h mm	l <sub>1</sub> mm x	l <sub>2</sub> mm x	H <sub>1</sub> mm x	H <sub>2</sub> mm x	F <sub>2</sub> mm x	f cm <sup>2</sup>	F <sub>B</sub> N min	Wt. kg/m
E08B-1 CLIP	12.7	7.75	4.45	8.51	—	11.8	14.0	24.2	12.3	8.3	20.0	0.50	18000	0.85
E08B-2 CLIP	12.7	7.75	4.45	8.51	13.92	11.8	28.0	24.2	12.3	8.3	33.5	1.01	32000	1.60
E10B-1 CLIP	15.875	9.65	5.08	10.16	—	14.7	15.5	30.5	15.0	10.0	21.5	0.67	22400	1.15
E10B-2 CLIP	15.875	9.65	5.08	10.16	16.59	14.7	32.0	30.5	15.0	10.0	38.5	1.34	44500	2.18
E12B-1 CLIP	19.05	11.68	5.72	12.06	—	16.1	19.0	37.0	16.0	11.0	25.0	0.89	29000	1.50
E12B-2 CLIP	19.05	11.68	5.72	12.06	19.46	16.1	39.5	37.0	16.0	11.0	44.5	1.79	57800	2.90
E16B-1 CLIP	25.4	17.02	8.28	15.88	—	21.0	33.0	49.0	21.4	15.4	39.0	2.10	60000	3.25
E16B-2 CLIP	25.4	17.02	8.28	15.88	31.88	21.0	65.0	49.0	21.4	15.4	71.0	4.21	106000	6.35
E20B-1 CLIP	31.75	19.56	10.19	19.05	—	26.4	36.0	61.5	25.0	19.0	44.0	2.96	95000	4.30
E20B-2 CLIP	31.75	19.56	10.19	19.05	36.45	26.4	72.5	61.5	25.0	19.0	80.5	5.91	170000	8.40

# Metric Conveyor Chain



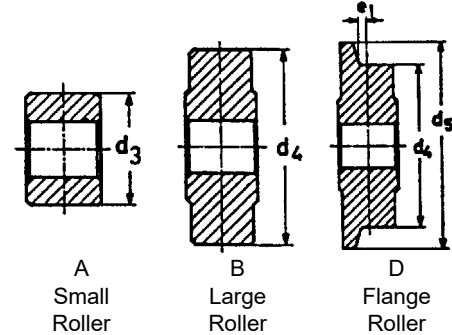
## Solid Bearing Pin Chain DIN 8167/ISO 1977



Shown without rollers  
Attachments shown on next page



### Roller options



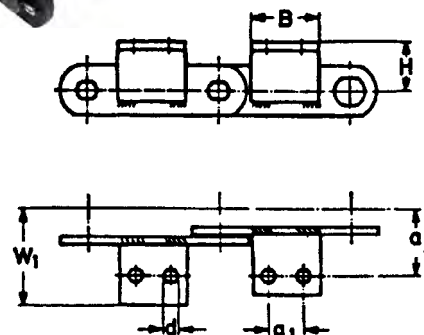
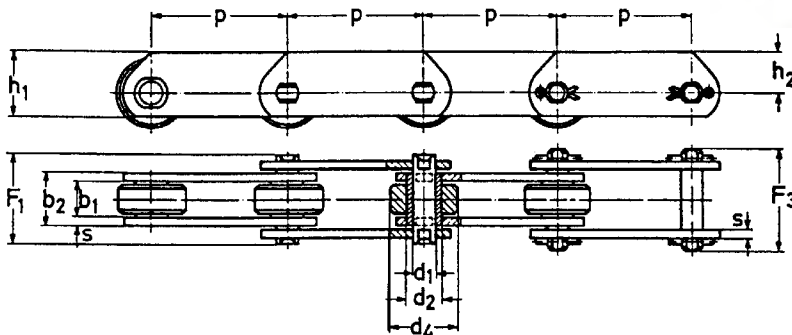
Metric Conveyor Chain typically includes attachments and one of the rollers shown at right. Sold in 5 meter lengths or custom lengths on request.

Dimensions in mm

Size	Pitches p	b <sub>1</sub> min.	b <sub>2</sub> max.	d <sub>1</sub>	d <sub>2</sub>	d <sub>3</sub>	d <sub>4</sub>	d <sub>4</sub> / d <sub>5</sub>	e <sub>1</sub>	F <sub>1</sub>	F <sub>3</sub>	h	s	Bearing Area cm <sup>2</sup>	Breaking Load N
						A	B	D							
M 20	40-50-63-80-100-125-160	16	22	6	9	12.5	25	25/30	4	31.2	36.2	18	2.5	1.32	20,000
M 28	50-63-80-100-125-160-200	18	25	7	10	15	30	30/36	4.5	35.2	40.2	20	3	1.75	28,000
M 40	63-80-100-125-160-200-250	20	28	8.5	12.5	18	36	36/42	4.5	40.2	47.2	25	3.5	2.38	40,000
M 56	63-80-100-125-160-200-250	24	33	10	15	21	42	42/50	6	47.2	56.2	30	4	3.30	56,000
M 80	80-100-125-160-200-250-315	28	39	12	18	25	50	50/60	7	55.2	64.2	35	5	4.68	80,000
M 112	80-100-125-160-200-250-315-400	32	45	15	21	30	60	60/70	7.5	64.2	75.2	40	6	6.75	112,000
M 160	100-125-160-200-250-315-400-500	37	52	18	25	36	70	70/85	8.5	73.3	88.3	50	7	9.36	160,000
M 224	125-160-200-250-315-400-500-630	43	60	21	30	42	85	85/100	10	86.3	99.3	60	8	12.60	224,000
M 315	160-200-250-315-400-500-630	48	70	25	36	50	100	100/120	10.5	100.3	120.3	70	10	17.50	315,000
M 450	200-250-315-400-500-630-800	56	82	30	42	60	120	120/140	11.5	117.3	141.3	80	12	24.60	450,000
M 630	250-315-400-500-630-800-1000	66	96	36	50	70	140	140/170	14.5	136.3	159.3	100	14	34.56	630,000
M 900	250-315-400-500-630-800-1000	78	112	44	60	85	170	170/210	17	157.3	179.3	120	16	49.28	900,000

# Metric Conveyor Chain

## Deep Link Solid Bearing Pin Chain DIN 8167/ISO 1977



Shown with "B" rollers. (See previous page for roller dimensions.)

Attachments

Size	Pitch p	a <sub>1</sub>	a <sub>2</sub>	B max.	d. max.	h <sub>1</sub>	h <sub>2</sub>	H	W <sub>1</sub>	Angle Profile	Weight kg/m (as per roller type)				Attach. Wt. kg
											no roller	A	B	D	
MT20	40	*	27	14	6.6	25	16	16	42	BSP	1.08	1.44	2.61	2.81	0.02
	50	*		14						BSP	1.01	1.29	2.23	2.39	0.02
	63	20		35						25x20x3	0.99	1.23	2.00	2.13	0.04
	80	35		50							0.90	1.07	1.67	1.77	0.06
	100	50		65							0.86	1.00	1.47	1.55	0.07
	125	50		65							0.82	0.95	1.32	1.38	0.07
	160	50		65							0.80	0.89	1.19	1.24	0.07
MT28	50	*	32	20	9	30	20	20	50	BSP	1.54	1.82	3.32	3.52	0.02
	63	*		20						BSP	1.42	1.64	2.84	3.00	0.02
	80	25		45						20x30x3	1.32	1.50	2.44	2.57	0.05
	100	40		60							1.24	1.38	2.13	2.23	0.07
	125	65		85							1.18	1.30	1.90	1.98	0.10
	160	65		85							1.13	1.22	1.69	1.75	0.10
	200	65		85							1.10	1.17	1.54	1.59	0.10
MT40	63	*	35	20	9	35	22.5	25	56	BSP	2.24	2.57	4.47	4.70	0.03
	80	20		40						30x30x3	1.98	2.25	3.75	3.95	0.06
	100	40		60							1.91	2.12	3.32	3.47	0.08
	125	65		85							1.81	1.98	2.93	3.06	0.15
	160	65		85							1.71	1.85	2.60	2.71	0.15
	200	65		85							1.64	1.75	2.35	2.42	0.15
	250	65		85							1.60	1.68	2.16	2.23	0.15
MT56	63	*	44	22	11	45	30	30	70		BSP	3.32	3.83	6.93	7.26
	80	*		22						BSP	3.01	3.41	5.86	6.20	0.05
	100	25		50						40x40x4	2.79	3.11	5.07	5.34	0.12
	125	50		75							2.60	2.87	4.43	4.65	0.18
	160	85		110							2.44	2.64	3.87	4.04	0.27
	200	85		110							2.34	2.50	3.49	3.63	0.27
	250	85		110							2.25	2.37	3.16	3.27	0.27
MT80	80	*	48	22	11	50	32.5	35	80	BSP	4.65	5.29	9.35	9.95	0.05
	100	*		22						BSP	4.27	4.79	8.03	8.50	0.05
	125	50		75						40x40x4	3.97	4.38	6.98	7.35	0.18
	160	85		110							3.70	4.03	6.05	6.35	0.27
	200	125		150							3.51	3.77	5.39	5.63	0.36
	250	125		150							3.37	3.57	4.87	5.06	0.36
	315	125		150							3.24	3.41	4.43	4.58	0.36

Dimensions in mm. \* = only one hole. BSP = Bent Side Plate (attachment and side plate stamped from one piece).

# Metric Conveyor Chain



## Deep Link Solid Bearing Pin Chain DIN 8167/ISO 1977

Metric Conveyor Chain typically includes attachments on some or all links as well. Please identify link spacing. Sold in 5 meter lengths or custom lengths as required.



Size	Pitch p	a <sub>1</sub>	a <sub>2</sub>	B max.	d max	h <sub>1</sub>	h <sub>2</sub>	H	W <sub>1</sub>	Angle Profile	Weight kg/m (as per roller type)				Attach. Wt. kg
											no roller	A	B	D	
MT 112	80	*	55	28	14	60	40	40	92	50x50x6	6.75	7.88	14.6	15.3	0.13
	100	*		28							6.15	7.06	12.4	13.0	0.13
	125	35		65							5.69	6.42	10.7	11.2	0.30
	160	65		95							5.26	5.83	9.15	9.54	0.44
	200	100		130							4.97	5.43	8.09	8.38	0.59
	250	100		130							4.74	5.10	7.22	7.47	0.59
	315	100		130							4.53	4.82	6.52	6.70	0.59
	400	100		130							4.38	4.61	5.94	6.08	0.59
MT 160	100	*	62	30	14	70	45	45	100	50x50x6	9.70	11.2	19.5	20.4	0.14
	125	*		30							8.85	10.1	16.7	17.5	0.14
	160	50		80							8.15	9.12	14.3	14.9	0.37
	200	85		115							7.56	8.33	12.5	13.0	0.53
	250	145		175							7.22	7.82	11.1	11.5	0.80
	315	145		175							6.88	7.38	9.95	10.3	0.80
	400	145		175							6.57	6.95	9.00	9.25	0.80
	500	145		175							6.36	6.68	8.35	8.52	0.80
MT 224	125	*	70	35	18	90	60	55	114	60x60x8	13.1	14.9	26.6	27.8	0.25
	160	*		35							11.9	13.3	22.4	23.4	0.25
	200	65		100							11.1	12.2	19.5	20.3	0.71
	250	125		160							10.3	11.2	17.1	17.7	1.13
	315	190		225							9.78	10.5	15.1	15.7	1.60
	400	190		225							9.30	9.86	13.5	13.9	1.60
	500	190		225							8.97	9.40	12.3	12.6	1.60
	630	190		225							8.67	9.02	11.3	11.6	1.60
MT 315	160	*	80	35	18	100	65	65	125	70x70x9	18.3	20.5	34.4	36.1	0.27
	200	50		85							16.7	18.6	29.6	31.0	0.66
	250	100		135							15.6	17.1	25.9	27.1	1.04
	315	155		190							14.6	15.8	22.9	23.7	1.46
	400	155		190							13.9	14.8	20.3	21.2	1.46
	500	155		190							13.3	14.1	18.5	19.1	1.46
	630	155		190							12.8	13.4	16.9	17.4	1.46
	800	155		190							12.2	12.8	15.3	15.8	1.46
MT 450	200	*	90	40	18	120	80	75	140	70x70x9	24.2	27.5	46.0	47.8	0.37
	250	85		125							22.4	25.0	39.8	41.4	1.17
	315	155		195							20.9	22.9	34.7	36.0	1.82
	400	240		280							19.7	21.3	30.6	31.5	2.62
	500	240		280							18.7	20.1	27.5	28.2	2.62
	630	240		280							18.0	19.0	24.9	25.5	2.62
	800	240		280							17.4	18.2	22.8	23.3	2.62
	1000	240		280							16.8	17.6	20.7	21.2	2.62
MT 630	250	*	115	50	24	140	90	90	190	100x100x12	34.8	39.6	62.8	65.7	0.89
	315	100		150							32.2	35.4	54.3	56.5	2.67
	400	190		240							30.3	32.7	47.8	49.5	4.27
	500	300		350							28.4	30.4	42.4	43.8	6.22
	630	300		350							27.1	28.7	38.3	39.3	6.22
	800	300		350							26.0	27.2	34.7	35.6	6.22
	1000	300		350							25.2	26.2	32.2	32.9	6.22
	1200	300		350							24.5	25.5	30.7	31.3	6.22
MT 900	250	*	140	60	30	180	120	110	240	120x120x15	51.2	58.0	100	106	1.59
	315	65		125							47.0	52.3	85.7	90.2	3.32
	400	155		215							43.5	47.7	74.0	77.4	5.70
	500	240		300							40.8	44.2	65.3	68.1	7.95
	630	240		300							38.8	41.4	58.1	60.4	7.95
	800	240		300							36.9	39.0	52.2	51.7	7.95
	1000	240		300							35.5	37.2	47.7	49.1	7.95
	1200	240		300							34.1	35.8	43.2	44.5	7.95

Dimensions in mm. \* = only one hole.



# Metric Conveyor Chain

Hollow Pin Type  
DIN 8167/ISO 1977



Introduction

Mounted Ball Bearings

SRE / SR2 Spherical Bearings

SAF / Plummer Blocks

Brg. Accessories, Radial Ball, & EICH Bearings

Rod Ends & Spherical Plain Bearings

Roller Chain & Sprockets

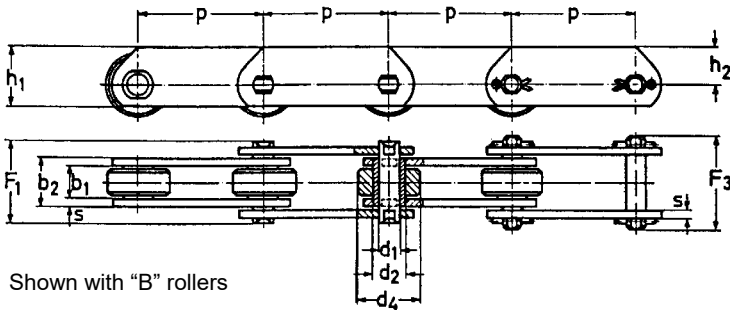
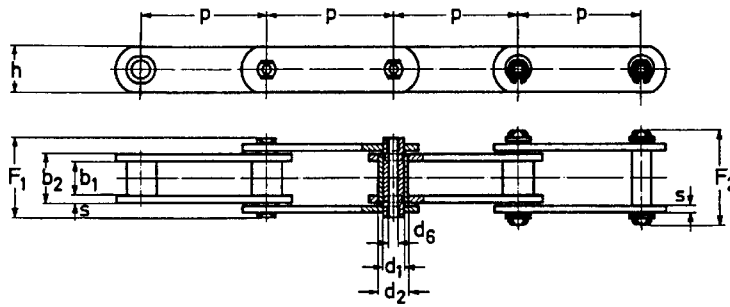
Bushings & Hubs

Gears & Racks

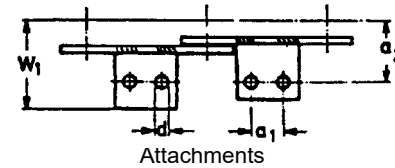
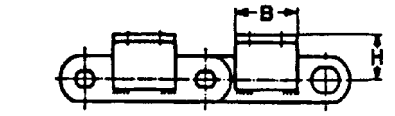
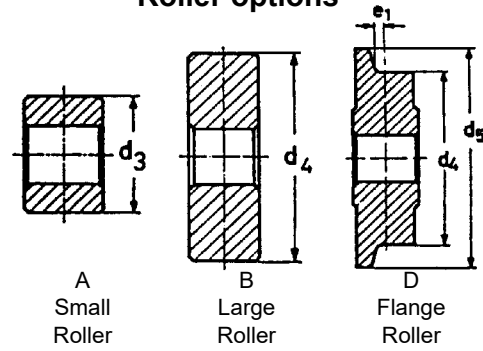
Belt Drives / Couplings

Linear Motion / WINKEL

## Roller options



Shown with "B" rollers



Attachments

## Hollow Bearing Pin Chain

Part No.	Pitches p	b <sub>1</sub> min.	b <sub>2</sub> max.	d <sub>1</sub>	d <sub>2</sub>	d <sub>3</sub> d <sub>4</sub> d <sub>4</sub> /d <sub>5</sub>			d <sub>6</sub>	e <sub>1</sub>	F <sub>1</sub>	F <sub>3</sub>	h	s	Bearing Area cm <sup>2</sup>	Breaking Load N
						A	B	D								
MC 28	63-80-100-125-160	20	28	13	17.5	25	36	36/42	8.2	4.5	40.6	40.6	25	3.5	3.64	28,000
MC 56	80-100-125-160-200-250	24	33	15.5	21	30	50	50/60	10.2	6.0	46.6	46.6	35	4	5.11	56,000
MC 112	100-125-160-200-250-315	32	45	22	29	42	70	70/85	14.3	7.5	63.8	63.8	50	6	9.9	112,000
MC 224	160-200-250-315-400-500	43	60	31	41	60	100	100/120	20.3	10	82.9	82.9	70	8	18.6	224,000

## Deep Link Hollow Bearing Pin Chain

Part No.	Pitch p	a <sub>1</sub>	a <sub>2</sub>	B max.	d max.	h <sub>1</sub>	h <sub>2</sub>	H	W <sub>1</sub>	Angle Profile	Weight kg/m (as per roller type)				Attach. Wt. kg
											no roller	A	B	D	
MCT 28	63	*	35	20	9	35	22.5	25	56	BSP	2.6	3.8	5.0	5.2	0.03
	80	20		2.4							3.3	4.3	4.4	0.06	
	100	40		2.2							2.9	3.7	3.8	0.09	
	125	65		2.0							2.6	3.2	3.3	0.12	
	160	65		1.9							2.3	2.8	2.9	0.12	
MCT 56	80	*	44	25	11	50	32.5	35	76	BSP	3.5	4.9	5.7	6.0	0.06
	100	*		3.3							4.4	5.0	5.2	0.06	
	125	50		3.1							4.0	4.5	4.6	0.18	
	160	85		2.9							3.6	4.0	4.1	0.27	
	200	125		2.7							3.3	3.6	3.7	0.36	
	250	125		2.6							3.1	3.3	3.4	0.36	

Dimensions in mm. \* = only one hole.

BSP = Bent Side Plate (attachment and side plate stamped from one piece)

# Metric Conveyor Chain



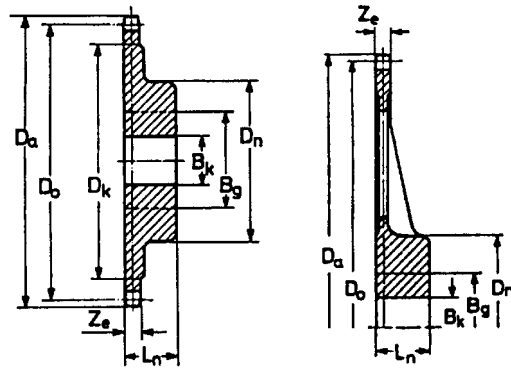
## Deep Link Hollow Bearing Pin Chain DIN 8167/ISO 1977

Part No.	Pitch p	a <sub>1</sub>	a <sub>2</sub>	B max.	d max.	h <sub>1</sub>	h <sub>2</sub>	H	W <sub>1</sub>	Angle Profile	Weight kg/m (as per roller type)				Attach. Wt. kg
											no roller	A	B	D	
MCT 112	100	*	55	30	14	70	45	45	96	50x50x6	8.5	9.9	12.9	13.5	0.13
	125	*		30							7.6	8.9	11.3	11.7	0.13
	160	50		80							6.9	8.0	9.9	10.2	0.36
	200	85		115							6.5	7.3	8.8	9.1	0.51
	250	145		175							6.1	6.8	8.0	8.2	0.78
	315	145		175							5.3	5.8	6.8	6.9	0.78
MCT 224	160	*	70	35	18	100	65	65	110	60x60x8	13.6	16.4	27.0	28.7	0.25
	200	50		85							12.6	13.5	22.0	23.4	0.60
	250	100		135							11.9	12.5	19.4	20.5	0.96
	315	155		190							11.2	11.8	17.4	18.0	1.35
	400	155		190							-	-	-	-	-
	500	155		190							-	-	-	-	-

Dimensions in mm. \* = only one hole.

## Conveyor Chain Sprockets

These conveyor chain sprockets can be used with standard or deep link solid pin or hollow pin conveyor chains. Sprockets can be supplied with finished bore sizes as required.



Size	Pitch p	Teeth	Size	Pitch p	Teeth	Size	Pitch p	Teeth	Size	Pitch p	Teeth	Size	Pitch p	Teeth	Size	Pitch p	Teeth								
M20	40	10	M28	63	16	M40	125	8	M80	80	10	M112	125	10	M224	125	10								
		16			24			10			12			12			12	12							
		24			8			8			8			8			8	8							
		40			10			10			10			10			10	10							
	50	16		8	16		10	12		16	10		12	16		10	12	16	10	12	16	10			
		24		8	24		10	12		24	10		12	24		10	12	24	10	12	24	10			
		40		8	40		10	12		40	10		12	40		10	12	40	10	12	40	10			
		10		8	10		10	12		10	10		12	10		10	12	10	10	12	10	10			
	63	16		8	100		16	8		63	16		8	80		16	8	100	16	8	125	16	8		
		24		8			24	10			12		24			10	12		24	10		12	24	10	12
		40		8			40	10			12		40			10	12		40	10		12	40	10	12
		8		8			8	8			8		8			8	8		8	8		8	8	8	8
80	10	8	125	10	8	80	10	8	100	10	8	125	10	8	160	10	8								
	16	8		16	10		12	16		10	12		16	10		12	16	10	12						
	24	8		24	10		12	24		10	12		24	10		12	24	10	12						
	8	8		8	8		8	8		8	8		8	8		8	8	8	8	8					
100	10	8	160	10	8	100	10	8	125	10	8	160	10	8	200	10	8								
	12	8		12	10		12	12		10	12		12	10		12	12	10	12						
	16	8		16	10		12	16		10	12		16	10		12	16	10	12						
	8	8		8	8		8	8		8	8		8	8		8	8	8	8	8					
M28	50	10	100	10	8	M40	10	8	M80	10	8	M112	10	8	M160	10	8								
		16		8	16		10	12		16	10		12	16		10	12	16	10						
		24		8	24		10	12		24	10		12	24		10	12	24	10						
		40		8	40		10	12		40	10		12	40		10	12	40	10						
63	10	16	16	16	8	M80	16	8	M112	16	8	M224	16	8	M315	16	8								
		24		8	24		10	12		24	10		12	24		10	12	24	10						
		40		8	40		10	12		40	10		12	40		10	12	40	10						
		8		8	8		8	8		8	8		8	8		8	8	8	8	8					

# Metric Sprockets Overview



## TL Taper Bushed Metric Sprockets



TL Sprockets are stocked in a wide variety of sizes including ISO 06B, 08B, 10B, 12B, 16B and 20B chain sizes (3/8 to 1-1/4" pitch) for single, double and triple chain. These mount with standard TL tapered bushings from 1008 thru 5050 (i.e., thru a 5" or 125mm shaft diameter). TL Sprockets are available in a wide range of diameters to accommodate various application speeds.

The more popular sizes are stocked with hardened teeth. The C45 material, standard steel sprockets, allows for induction hardening of teeth (HT). The TL Taper Bushed Sprocket provides a true concentric fit to the shaft. As the TL bushing screws are tightened, the bushing compresses around the shaft securely. Standard hex wrenches are the only tool required for installation or removal. Once the bushing mounting screws are loosened and removed, the screw can be used in the bushing removal hole. Tightening the removal screw will gently loosen the sprocket. PTI stocks both metric and inch bore TL bushings, a standard global design, which is why the TL sprocket is so versatile. Ease of installation, concentric shaft fit, suitable for higher speeds and heavy loads plus an economical cost make this the popular choice for new designs and replacement needs. TL sprockets are generally less expensive than custom or finished bored sprockets.

## Hub Type Metric Sprockets



Hub Type Metric Sprockets are available with a minimum plain bore (pilot bore) and some stock finished bore sizes. Any shaft size is possible with our custom bore and keyway capability. Sprockets with hubs are typically fitted to the shaft as a clearance fit. They are held in place with two set screws and a keyway. Clearance



fits are popular for light loads and slow speeds. A press fit (or shrink fit to the shaft) is usually preferred for higher speeds or heavier loads as they fit to the shaft more securely than a clearance fit sprocket. Depending on the clearance of the shaft fit, sprockets may work slightly on the shaft causing possible fretting or shaft wear. All sprockets are available with hardened teeth from stock or on request.

Press fits usually require the sprocket to be heated for installation to expand the bore. As a heated sprocket cools, it shrinks, conforming to the shaft with a tight grip. A set screw can be used to secure the key. The TL Taper Bushed Sprocket will function like the press fit sprocket and is generally easier to install.

## Plate Type Metric Sprockets

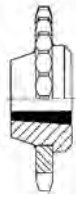


Plate Sprockets for single, double or triple strand chain are an economical choice allowing for direct mounting to the hub or shaft. They are most frequently considered for sprockets above 40 teeth and are available in a wide range of diameters. Plate type sprockets can be welded or bolted directly to the hub keeping equipment compact and light weight. They are available in single, double and triple tooth configurations as well.

## Weld on Hubs



A Weld-On-Hub is often used to simplify mounting, especially large diameter sprockets. PTI stocks standard TL Weld-On-Hub sizes. The Weld-On-Hub uses the standard TL bushings as do many of the other standard drive components. TL Bushings are stocked in both metric and inch bores.



## TL Bushings for Weld-On-Hubs or TL Bushed Sprockets



TL Taper Bushings for Weld-On-Hubs and sprockets are stocked from 1008 thru 5050 sizes covering 5" or 125mm shaft sizes. TL Bushings are ideal for replacements and a contemporary solution for upgrading clearance fit and press fit sprockets. TL Bushings are commonly used in a wide variety of other European and American standard drive products.

## Stainless Steel Metric Sprockets



Stainless Steel (AISI 304L) Metric Sprockets provide corrosion resistance and allow wash-down capability. These hub type sprockets can be provided with a finished bore and keyway. Stainless Sprockets cannot be hardened. PTI stocks sizes from ISO 06B thru 16B (3/8" -1" pitch) and from 12 to 25 & 30 teeth. Larger sizes available on request. TL Bushed version also on request.

## Metric Idler and Double-Single Sprockets



Metric Idler Sprockets are plate sprockets with a ball bearing for mounting. These sprockets generally provide tension for the chain drive and can be used within a tension arm assembly or individually mounted



to position the drive. Stock sizes are available for ISO 05B thru 20B metric chain sizes. Double-Single Sprockets, popular on conveyors, allow 2 single chains on a single sprocket to control pairs of rolls or drive units that must index.

## Custom Metric or ANSI Sprockets

Custom sprockets including large diameter steel or cast iron units for single, duplex or triple strand chain can be made to order. PTI typically keeps some stock in our European warehouse, so delivery could be rather quick. Other custom sprocket sizes for Metric conveyor chain or ANSI chain are also possible. Drawings are preferred to insure requirements are clear. All are possible with custom finished bore or bored for a TL taper bushing.



# Metric Sprockets



## ISO 03B Hub Type B

Chain Size: 03B-1 (5" x 2.5mm)

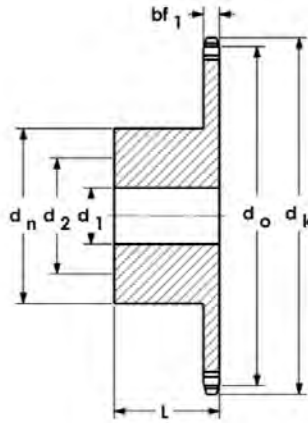
Pitch: 5 mm

Roller Width: 2.5 mm

Roller Dia.: 3.2 mm

Spkt. Width: 2.3 mm ( $bf_1$ )

Material: Steel C45



Models Available

### Chain Size: 03B-1 (5 x 2.5mm)

Part No.	Teeth	$d_k$ mm	$d_o$ mm	$d_n$ mm	$d_1$ mm	$d_2$ mm	L mm	Wt. kg
03B-8B	8	15.2	13.06	7	4	4	10	0.005
03B-9B	9	16.8	14.62	8	5	5	10	0.006
03B-10B	10	18.3	16.18	9	5	6	10	0.008
03B-11B	11	19.9	17.75	11	6	7	10	0.011
03B-12B	12	21.5	19.32	12	6	8	10	0.015
03B-13B	13	23.0	20.89	14	6	9	10	0.021
03B-14B	14	24.6	22.47	15	6	10	10	0.023
03B-15B	15	26.2	24.04	16	6	10	10	0.025
03B-16B	16	27.8	25.63	18	8	11	13	0.032
03B-17B	17	29.4	27.20	18	8	11	13	0.035
03B-18B	18	30.9	28.79	18	8	11	13	0.037
03B-19B	19	32.5	30.38	18	8	11	13	0.039
03B-20B	20	34.1	31.96	18	8	11	13	0.040
03B-21B	21	35.7	33.54	20	8	12	13	0.056
03B-22B	22	37.3	35.13	20	8	12	13	0.059
03B-23B	23	38.9	36.72	20	8	12	13	0.063
03B-24B	24	40.5	38.30	20	8	12	13	0.065
03B-25B	25	42.0	39.89	20	8	12	13	0.068
03B-26B	26	43.6	41.48	25	8	16	15	0.095
03B-27B	27	45.2	43.07	25	8	16	15	0.105
03B-28B	28	46.8	44.65	25	8	16	15	0.106
03B-29B	29	48.4	46.25	25	8	16	15	0.107
03B-30B	30	50.0	47.83	25	8	16	15	0.109
03B-31B	31	51.6	49.42	30	8	19	15	0.110
03B-32B	32	53.2	51.01	30	8	19	15	0.112
03B-33B	33	54.8	52.60	30	8	19	15	0.115
03B-34B	34	56.3	54.19	30	8	19	15	0.120
03B-35B	35	57.9	55.78	30	8	19	15	0.125
03B-36B	36	59.5	57.37	30	8	19	15	0.130
03B-37B	37	61.1	58.96	30	8	19	15	0.136
03B-38B	38	62.7	60.54	30	8	19	15	0.140
03B-39B	39	64.3	62.13	30	8	19	15	0.144
03B-40B	40	65.9	63.73	30	8	19	15	0.145

Note: Plate Type Sprocket available on request, hub can be removed (machined off).

# Metric Sprockets

## ISO 03B Plate Type A

DIN 8187/ISO R 606

Chain Size: 03B-1 (5 x 2.5mm)

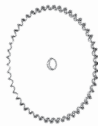
Pitch: 5 mm

Roller Width: 2.5 mm

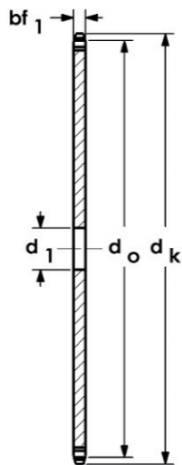
Roller Dia.: 3.2 mm

Spkt. Width: 2.3 mm ( $bf_1$ )

Material: Steel C45



Models Available



Note:

Double and triple sprockets including stainless steel available on request.

Part No.	Teeth	$d_k$ mm	$d_o$ mm	$d_1$ mm	Wt. kg
03B-41A	41	67.5	65.31	8	0.04
03B-42A	42	69.1	66.91	8	0.05
03B-43A	43	70.6	68.49	8	0.06
03B-44A	44	72.2	70.09	8	0.07
03B-45A	45	73.8	71.68	8	0.08
03B-46A	46	75.4	73.27	8	0.09
03B-47A	47	77.0	74.86	8	0.10
03B-48A	48	78.6	76.45	8	0.11
03B-49A	49	80.2	78.03	8	0.12
03B-50A	50	81.8	79.63	8	0.13
03B-51A	51	83.4	81.22	10	0.14
03B-52A	52	85.0	82.81	10	0.15
03B-53A	53	86.6	84.40	10	0.16
03B-54A	54	88.1	85.97	10	0.17
03B-55A	55	89.7	87.58	10	0.18
03B-56A	56	91.3	89.17	10	0.19
03B-57A	57	92.9	90.76	10	0.20
03B-58A	58	94.5	92.35	10	0.21
03B-59A	59	96.1	93.94	10	0.22
03B-60A	60	97.7	95.53	10	0.23
03B-62A	62	100.9	98.72	12	0.24
03B-64A	64	104.1	101.90	12	0.25
03B-65A	65	105.6	103.49	12	0.26
03B-66A	66	107.2	105.08	12	0.27
03B-68A	68	110.4	108.26	12	0.28
03B-70A	70	113.6	111.44	12	0.29
03B-72A	72	116.8	114.63	12	0.30
03B-75A	75	121.6	119.40	12	0.31
03B-76A	76	123.1	120.99	12	0.32
03B-78A	78	126.3	124.17	12	0.33
03B-80A	80	129.5	127.35	12	0.34
03B-85A	85	137.5	135.31	14	0.35
03B-90A	90	145.4	143.27	14	0.36
03B-95A	95	153.4	151.22	14	0.37
03B-100A	100	161.3	159.18	14	0.38
03B-110A	110	177.2	175.09	14	0.39
03B-114A	114	183.6	181.46	14	0.40
03B-120A	120	193.2	191.01	14	0.41
03B-125A	125	201.1	198.96	14	0.42

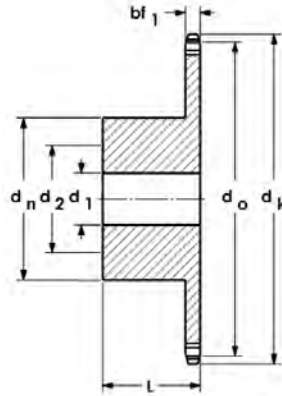


# Metric Sprockets

## ISO 04B and 05B Hub Type B



Models Available



Parameters	04B-1	05B-1
Chain Pitch	6 mm	8 mm
Roller Width	2.8 mm	3 mm
Roller Dia.	4 mm	5 mm
Sprocket Width $b_{f1}$	2.6 mm	2.8 mm
Material	Steel C45	Steel C45

### Chain Size: 04B-1 (6 x 2.8mm)

Part No.	Teeth	$d_k$ mm	$d_o$ mm	$d_n$ mm	$d_1$ mm	$d_2$ mm	L mm	Wt. kg
04B-8B	8	15.67	18.0	9.8	5	6	10	0.01
04B-9B	9	17.54	19.9	11.5	5	6	10	0.01
04B-10B	10	19.42	21.7	13	6	7	10	0.01
04B-11B	11	21.30	23.6	14	6	7	10	0.01
04B-12B	12	23.18	25.4	16	6	10	10	0.02
04B-13B	13	25.05	27.3	18	8	11	10	0.02
04B-14B	14	26.96	29.2	20	8	12	10	0.03
04B-15B	15	28.86	31.1	20	8	12	10	0.03
04B-16B	16	30.76	33.3	20	8	12	13	0.04
04B-17B	17	32.65	35.0	20	8	12	13	0.04
04B-18B	18	34.55	36.9	20	8	12	13	0.05
04B-19B	19	36.44	38.8	20	8	12	13	0.05
04B-20B	20	38.34	40.7	20	8	12	13	0.06
04B-21B	21	40.25	42.6	25	8	16	13	0.06
04B-22B	22	42.16	44.5	25	8	16	13	0.06
04B-23B	23	44.06	46.4	25	8	16	13	0.06
04B-24B	24	45.96	48.3	25	8	16	13	0.06
04B-25B	25	47.87	50.2	25	8	16	13	0.07
04B-26B	26	49.77	52.1	30	8	20	15	0.15
04B-27B	27	51.67	54.0	30	8	20	15	0.15
04B-28B	28	53.58	55.9	30	8	20	15	0.15
04B-29B	29	55.50	57.8	30	8	20	15	0.15
04B-30B	30	57.42	59.8	30	8	20	15	0.15
04B-31B	31	59.31	61.7	30	8	20	15	0.15
04B-32B	32	61.21	63.6	30	8	20	15	0.16
04B-33B	33	63.11	65.5	30	8	20	15	0.16
04B-34B	34	65.02	67.4	30	8	20	15	0.16
04B-35B	35	66.93	69.3	30	8	20	15	0.16
04B-36B	36	68.84	71.2	30	8	20	15	0.16
04B-37B	37	70.75	73.1	30	8	20	15	0.16
04B-38B	38	72.66	75.0	30	8	20	15	0.16
04B-39B	39	74.56	76.9	30	8	20	15	0.16
04B-40B	40	76.47	78.9	30	8	20	15	0.16
04B-45B	45	86.01	88.5	40	10	25	18	0.50
04B-50B	50	95.55	98.0	50	12	30	20	0.50
04B-57B	57	108.93	111.4	50	12	30	20	0.60

### Chain Size: 05B-1 (8 x 3.0mm)

Part No.	Teeth	$d_k$ mm	$d_o$ mm	$d_n$ mm	$d_1$ mm	$d_2$ mm	L mm	Wt. kg
05B-8B	8	20.90	24.0	13	6	7	12	0.02
05B-9B	9	23.39	26.6	15	6	8	12	0.02
05B-10B	10	25.89	29.2	17	8	10	12	0.02
05B-11B	11	28.39	31.7	18	8	11	13	0.03
05B-12B	12	30.91	34.2	20	8	12	13	0.03
05B-13B	13	33.42	36.7	23	8	14	13	0.05
05B-14B	14	35.95	39.2	25	8	16	13	0.05
05B-15B	15	38.48	41.7	28	8	18	13	0.07
05B-16B	16	41.01	44.3	30	8	20	14	0.08
05B-17B	17	43.53	46.8	30	8	20	14	0.08
05B-18B	18	46.07	49.3	30	8	20	14	0.09
05B-19B	19	48.61	51.9	30	8	20	14	0.09
05B-20B	20	51.14	54.4	30	8	20	14	0.10
05B-21B	21	53.67	57.0	35	8	22	14	0.12
05B-22B	22	56.21	59.5	35	8	22	14	0.13
05B-23B	23	58.75	62.0	35	8	22	14	0.14
05B-24B	24	61.29	64.6	35	8	22	14	0.14
05B-25B	25	63.83	67.5	35	8	22	14	0.14
05B-26B	26	66.37	69.5	40	10	25	16	0.14
05B-27B	27	68.91	72.2	40	10	25	16	0.20
05B-28B	28	71.45	74.8	40	10	25	16	0.21
05B-29B	29	73.99	77.3	40	10	25	16	0.21
05B-30B	30	76.53	79.8	40	10	25	16	0.22
05B-31B	31	79.08	82.4	40	10	25	16	0.22
05B-32B	32	81.61	84.9	40	10	25	16	0.24
05B-33B	33	84.16	87.5	40	10	25	16	0.24
05B-34B	34	86.70	90.0	40	10	25	16	0.24
05B-35B	35	89.24	92.5	40	10	25	16	0.24
05B-36B	36	91.79	95.0	40	10	25	16	0.24
05B-37B	37	94.33	97.6	40	10	25	16	0.24
05B-38B	38	96.88	100.2	40	10	25	16	0.28
05B-39B	39	99.42	102.7	40	10	25	16	0.28
05B-40B	40	101.97	105.3	40	10	25	16	0.28
05B-45B	45	114.69	118.0	60	12	40	20	0.88
05B-50B	50	127.41	130.7	60	12	40	20	0.88
05B-57B	57	145.22	148.6	80	14	50	20	1.20

Note: Double and triple sprockets including stainless steel available on request.

# Metric Sprockets

## ISO 04B Plate Type A

### DIN 8187/ISO R 606

Chain Size: **04B-1 (6 x 2.8mm)**

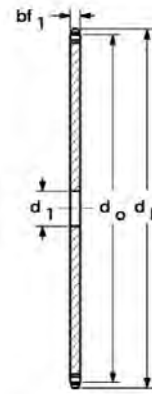
Pitch: 6 mm

Roller Width: 2.8 mm

Roller Dia.: 4 mm

Spkt. Width: 2.6 mm ( $bf_1$ )

Material: Steel C45



Models Available

Part No.	Teeth	$d_k$ mm	$d_o$ mm	$d_1$ mm	Wt. kg
04B-8A	8	18.0	15.67	5	0.003
04B-9A	9	19.9	17.54	5	0.004
04B-10A	10	21.7	19.42	6	0.005
04B-11A	11	23.7	21.30	6	0.006
04B-12A	12	25.4	23.18	6	0.007
04B-13A	13	27.3	25.05	8	0.008
04B-14A	14	29.2	26.96	8	0.009
04B-15A	15	31.1	28.86	8	0.011
04B-16A	16	33.0	30.76	8	0.012
04B-17A	17	35.0	32.65	8	0.013
04B-18A	18	36.9	34.55	8	0.014
04B-19A	19	38.8	36.44	8	0.017
04B-20A	20	40.7	38.34	8	0.020
04B-21A	21	42.6	40.25	8	0.022
04B-22A	22	44.5	42.16	8	0.023
04B-23A	23	46.4	44.06	8	0.027
04B-24A	24	48.3	45.96	8	0.028
04B-25A	25	50.2	47.87	8	0.030
04B-26A	26	52.1	49.77	8	0.032
04B-27A	27	54.0	51.67	8	0.035
04B-28A	28	55.9	53.58	8	0.038
04B-29A	29	57.8	55.50	8	0.040
04B-30A	30	59.8	57.42	8	0.046
04B-31A	31	61.7	59.31	8	0.050
04B-32A	32	63.6	61.21	8	0.051
04B-33A	33	65.5	63.11	8	0.052
04B-34A	34	67.4	65.02	8	0.058
04B-35A	35	69.3	66.93	8	0.060
04B-36A	36	71.2	68.84	8	0.063
04B-37A	37	73.1	70.75	8	0.071
04B-38A	38	75.0	72.66	8	0.072
04B-39A	39	76.9	74.56	8	0.073
04B-40A	40	78.9	76.47	8	0.078
04B-41A	41	80.8	78.38	8	0.085
04B-42A	42	82.7	80.28	8	0.092
04B-43A	43	84.7	82.19	8	0.100

Part No.	Teeth	$d_k$ mm	$d_o$ mm	$d_1$ mm	Wt. kg
04B-44A	44	86.6	84.10	10	0.106
04B-45A	45	88.5	86.01	10	0.110
04B-46A	46	90.4	87.92	10	0.114
04B-47A	47	92.3	89.83	10	0.118
04B-48A	48	94.2	91.74	10	0.122
04B-49A	49	96.1	93.64	10	0.126
04B-50A	50	98.0	95.55	10	0.130
04B-51A	51	99.9	97.47	12	0.137
04B-52A	52	101.8	99.37	12	0.145
04B-53A	53	103.7	101.27	12	0.160
04B-54A	54	105.6	103.17	12	0.175
04B-55A	55	107.6	105.08	12	0.195
04B-56A	56	109.5	107.00	12	0.215
04B-57A	57	111.4	108.93	12	0.250
04B-58A	58	113.3	110.82	12	0.255
04B-59A	59	115.2	112.71	12	0.270
04B-60A	60	117.1	114.62	12	0.275
04B-62A	62	120.9	118.45	14	0.300
04B-64A	64	124.7	122.27	14	0.310
04B-65A	65	126.6	124.18	14	0.225
04B-66A	66	128.5	126.09	14	0.330
04B-68A	68	132.4	129.91	14	0.360
04B-70A	70	136.2	133.73	14	0.370
04B-72A	72	140.0	137.55	16	0.380
04B-75A	75	145.7	143.28	16	0.300
04B-76A	76	147.6	145.19	16	0.310
04B-78A	78	151.5	149.01	16	0.500
04B-80A	80	155.3	152.82	16	0.500
04B-85A	85	164.8	162.37	16	0.600
04B-90A	90	174.4	171.92	16	0.670
04B-95A	95	183.9	181.47	16	0.800
04B-100A	100	193.5	191.01	16	1.000
04B-110A	110	211.6	210.11	16	1.100
04B-114A	114	220.2	217.75	16	1.100
04B-120A	120	231.7	229.20	16	1.200
04B-125A	125	241.2	283.75	16	1.300

# Metric Sprockets

## ISO 05B Plate Type A

DIN 8187/ISO R 606

Chain Size: 05B-1 (8 x 3mm)

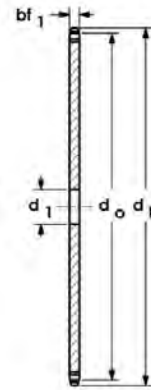
Pitch: 8 mm

Roller Width: 3 mm

Roller Dia.: 5 mm

Spkt. Width: 2.8 mm ( $bf_1$ )

Material: Steel C45



Models Available

Part No.	Teeth	$d_k$ mm	$d_o$ mm	$d_1$ mm	Wt. kg
05B-8A	8	24.0	20.90	6	0.006
05B-9A	9	26.6	23.39	6	0.007
05B-10A	10	29.2	25.89	8	0.009
05B-11A	11	31.7	28.39	8	0.011
05B-12A	12	34.2	30.91	8	0.010
05B-13A	13	36.7	33.42	8	0.018
05B-14A	14	39.2	35.95	8	0.019
05B-15A	15	41.7	38.48	8	0.024
05B-16A	16	44.3	41.01	8	0.024
05B-17A	17	46.8	43.53	8	0.025
05B-18A	18	49.3	46.07	8	0.026
05B-19A	19	51.9	48.61	8	0.031
05B-20A	20	54.4	51.14	8	0.038
05B-21A	21	57.0	53.67	8	0.040
05B-22A	22	59.5	56.21	8	0.045
05B-23A	23	62.0	58.75	8	0.050
05B-24A	24	64.6	61.29	8	0.060
05B-25A	25	67.5	63.83	8	0.066
05B-26A	26	69.5	66.37	10	0.068
05B-27A	27	72.2	68.91	10	0.076
05B-28A	28	74.8	71.45	10	0.080
05B-29A	29	77.3	73.99	10	0.085
05B-30A	30	79.8	76.53	10	0.087
05B-31A	31	82.4	79.08	10	0.090
05B-32A	32	84.9	81.61	10	0.093
05B-33A	33	87.5	84.16	10	0.108
05B-34A	34	90.0	86.70	10	0.120
05B-35A	35	92.5	89.24	10	0.125
05B-36A	36	95.0	91.79	10	0.130
05B-37A	37	97.6	94.33	10	0.145
05B-38A	38	100.2	96.88	10	0.160
05B-39A	39	102.7	99.42	10	0.180
05B-40A	40	105.2	101.97	10	0.200
05B-41A	41	107.8	104.51	12	0.170
05B-42A	42	110.4	107.05	12	0.185
05B-43A	43	112.9	109.60	12	0.200

Part No.	Teeth	$d_k$ mm	$d_o$ mm	$d_1$ mm	Wt. kg
05B-44A	44	115.5	112.14	14	0.21
05B-45A	45	118.0	114.69	12	0.22
05B-46A	46	120.6	117.23	12	0.24
05B-47A	47	123.1	119.77	12	0.25
05B-48A	48	125.6	122.32	12	0.27
05B-49A	49	128.2	124.86	12	0.32
05B-50A	50	130.7	127.41	12	0.34
05B-51A	51	133.3	129.95	14	0.38
05B-52A	52	135.8	132.49	14	0.36
05B-53A	53	138.4	135.04	14	0.375
05B-54A	54	140.9	137.59	14	0.385
05B-55A	55	143.5	140.13	14	0.40
05B-56A	56	146.0	142.68	14	0.425
05B-57A	57	148.6	145.22	14	0.45
05B-58A	58	151.0	147.77	14	0.465
05B-59A	59	153.6	150.31	14	0.49
05B-60A	60	156.2	152.85	14	0.50
05B-62A	62	162.0	157.95	16	0.52
05B-64A	64	167.1	163.04	16	0.55
05B-65A	65	169.2	165.58	16	0.62
05B-66A	66	172.2	168.13	16	0.65
05B-68A	68	177.3	173.22	16	0.68
05B-70A	70	182.4	178.31	16	0.73
05B-72A	72	187.5	183.41	20	0.80
05B-75A	75	195.1	191.04	20	0.82
05B-76A	76	197.7	193.59	20	0.85
05B-78A	78	202.8	198.68	20	0.87
05B-80A	80	207.9	203.77	20	0.80
05B-85A	85	220.6	216.50	20	1.07
05B-90A	90	233.4	229.23	20	1.21
05B-95A	95	246.1	241.96	20	1.325
05B-100A	100	258.9	254.68	20	1.535
05B-110A	110	284.3	280.15	20	1.60
05B-114A	114	294.5	290.33	20	1.70
05B-120A	120	310.0	305.61	20	1.80
05B-125A	125	322.5	318.34	20	1.90



# Metric Sprockets



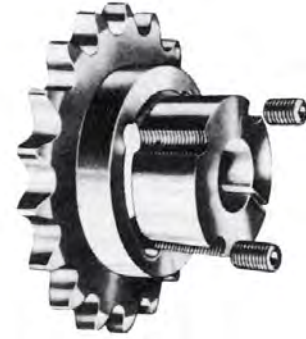
## Taper Bushed Type TL

ISO 06B, DIN 8187 - ISO/R 606

Single, Double, Triple

Standard and Hardened Teeth

Material: Steel C45 E



Models Available

Drawing Dimensions	Sprocket Size
	06B
h1	5.3
h2	15.4
h3	25.6
L	5.2

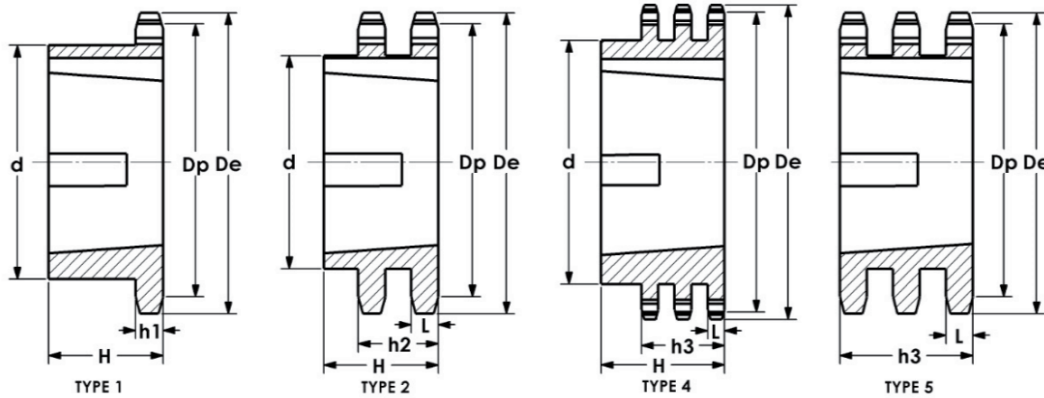
Part No: 06B-18HTL-1008

06B = Chain Size

18 = Number of Teeth

H = Hardened Teeth

TL-1008 = TL Bushing Size



Dimensions in mm

Chain Size 3/8" x 7/32"	Teeth	D <sub>e</sub>	D <sub>p</sub>	Single				Double				Triple			
				Part No.	Type	d	H	Part No.	Type	d	H	Part No.	Type	d	H
06B	17	55.3	51.83	06B-17HTL-1008	1	45	22	06B-2-17TL-1008	2	41	22	06B-3-17TL-1008	5	—	25.6
	18	58.3	54.85	06B-18TL-1008	1	45	22	06B-2-18TL-1008	2	43	22	—	—	—	—
	19	61.3	57.87	06B-19HTL-1008	1	45	22	06B-2-19TL-1008	2	46	22	06B-3-19TL-1008	5	—	25.6
	20	64.3	60.89	06B-20TL-1008	1	46	22	06B-2-20TL-1008	2	48	22	—	—	—	—
	21	68.0	63.91	06B-21HTL-1008	1	46	22	06B-2-21TL-1008	2	49	22	06B-3-21TL-1008	5	—	25.6
	22	71.0	66.93	06B-22TL-1108	1	50	22	06B-2-22TL-1108	2	52	22	—	—	—	—
	23	73.5	69.95	06B-23HTL-1210	1	63	25	06B-2-23TL-1210	2	59	25	06B-3-23TL-1210	5	—	25.6
	24	77.0	72.97	06B-24TL-1210	1	63	25	06B-2-24TL-1210	2	61	25	—	—	—	—
	25	80.0	76.02	06B-25HTL-1210	1	63	25	06B-2-25TL-1210	2	64	25	06B-3-25TL-1210	5	—	25.6
	26	83.0	79.02	06B-26TL-1210	1	63	25	06B-2-26TL-1210	2	65	25	—	—	—	—
	27	86.0	82.02	06B-27HTL-1210	1	63	25	06B-2-27TL-1210	2	70	25	06B-3-27TL-1210	5	—	25.6
	28	89.0	85.07	06B-28TL-1210	1	63	25	06B-2-28TL-1210	2	70	25	—	—	—	—
	30	94.7	91.12	06B-30HTL-1210	1	63	25	06B-2-30TL-1210	2	75	25	06B-3-30TL-1615	4	79	38
	38	119.5	115.35	06B-38TL-1210	1	70	25	06B-2-38TL-1610	2	80	25	06B-3-38TL-1615	4	90	38
	45	140.7	136.55	06B-45TL-1210	1	70	25	06B-2-45TL-1610	2	80	25	—	—	—	—
	57	176.9	172.91	06B-57TL-1210	1	70	25	06B-2-57TL-1610	2	80	25	—	—	—	—
	76	234.9	230.49	06B-76TL-1210	1	70	25	06B-2-76TL-1610	2	80	25	—	—	—	—
	95	292.5	288.08	06B-95TL-1210	1	80	25	06B-2-95TL-1610	2	90	25	—	—	—	—
114	349.5	345.68	06B-114TL-1215	1	80	38	06B-2-114TL-1615	2	95	38	—	—	—	—	

Note: Shaded items with "H" in Part No. indicates stocked with Hardened Teeth.

# Metric Sprockets

## Standard, Hardened Teeth and Stainless Steel



### ISO 06B Hub Type B

#### DIN 8187/ISO R 606

**Chain Size:** 06B-1 (3/8" x 7/32")  
**Pitch:** 9.525 mm  
**Roller Width:** 5.72 mm  
**Roller Dia.:** 6.35 mm  
**Spkt. Width:** 5.3 mm (bf<sub>1</sub>)  
**Material:** Standard Steel C45  
**Material:** Stainless Steel 304L



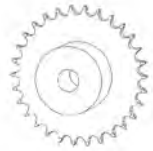
Standard



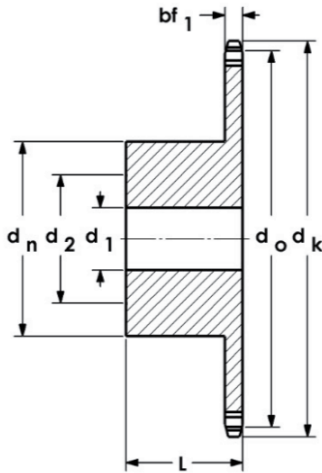
Hardened Teeth



Stainless Steel



Models Available



Part No. Standard	Part No. Hardened Teeth	Part No. Stainless Steel	Teeth	d <sub>o</sub> mm	d <sub>k</sub> mm	d <sub>n</sub> mm	d <sub>1</sub> mm	d <sub>2</sub> mm	L mm	Wt. kg
06B-8B	—	—	8	24.89	28.0	15	8	10	22	0.03
06B-9B	—	—	9	27.85	31.0	18	8	11	22	0.04
06B-10B	—	—	10	30.82	34.0	20	8	12	22	0.05
06B-11B	—	—	11	33.80	37.0	22	8	14	25	0.07
06B-12B	—	—	12	36.80	40.0	25	8	16	25	0.10
06B-13B	06B-13BH	06B-13BSS	13	39.80	43.0	28	10	18	25	0.13
06B-14B	06B-14BH	06B-14BSS	14	42.80	46.3	31	10	20	25	0.15
06B-15B	06B-15BH	06B-15BSS	15	45.81	49.3	34	10	22	25	0.18
06B-16B	06B-16BH	06B-16BSS	16	48.82	52.3	37	10	22	28	0.24
06B-17B	06B-17BH	06B-17BSS	17	51.83	55.3	40	10	25	28	0.28
06B-18B	06B-18BH	06B-18BSS	18	54.85	58.3	43	10	27	28	0.30
06B-19B	06B-19BH	06B-19BSS	19	57.87	61.3	45	10	28	28	0.35
06B-20B	06B-20BH	06B-20BSS	20	60.89	64.3	46	10	29	28	0.40
06B-21B	06B-21BH	06B-21BSS	21	63.91	68.0	48	12	30	28	0.44
06B-22B	06B-22BH	06B-22BSS	22	66.93	71.0	50	12	30	28	0.47
06B-23B	06B-23BH	06B-23BSS	23	69.95	73.5	52	12	32	28	0.50
06B-24B	06B-24BH	06B-24BSS	24	72.97	77.0	54	12	34	28	0.60
06B-25B	06B-25BH	06B-25BSS	25	76.00	80.0	57	12	36	28	0.60
06B-26B	—	—	26	79.02	83.0	60	12	38	28	0.65
06B-27B	—	—	27	82.04	86.0	60	12	38	28	0.69
06B-28B	—	—	28	85.07	89.0	60	12	38	28	0.70
06B-29B	—	—	29	88.09	92.0	60	12	38	28	0.80
06B-30B	06B-30BH	06B-30BSS	30	91.12	94.7	60	12	38	30	0.90
06B-31B	—	—	31	94.15	98.3	65	14	42	30	0.98
06B-32B	—	—	32	97.17	101.3	65	14	42	30	1.05
06B-33B	—	—	33	100.20	104.3	65	14	42	30	1.10
06B-34B	—	—	34	103.23	107.3	65	14	42	30	1.12
06B-35B	—	—	35	106.26	110.4	65	14	42	30	1.12
06B-36B	—	—	36	109.29	113.4	70	16	45	30	1.13
06B-37B	—	—	37	112.32	116.4	70	16	45	30	1.14
06B-38B	—	—	38	115.34	119.5	70	16	45	30	1.15
06B-39B	—	—	39	118.37	122.5	70	16	45	30	1.16
06B-40B	—	—	40	121.40	125.5	70	16	45	30	1.18

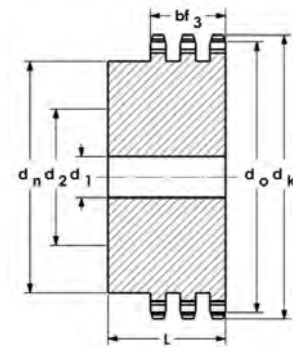
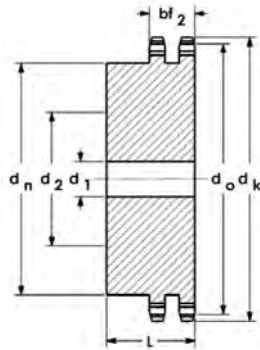
**Note:** All sizes can be Induction Hardened. Finish Bore and Keyway available on request. Other Stainless sizes available on request

# Metric Sprockets

## ISO 06B-2 and 06B-3 Hub Type B



Models Available



### Chain Size: 06B-2 (3/8" x 7/32") Spkt Width: 15.4mm (bf<sub>2</sub>)

Part No.	Teeth	d <sub>o</sub> mm	d <sub>k</sub> mm	d <sub>n</sub> mm	d <sub>1</sub> mm	d <sub>2</sub> * mm	L mm	Wt. kg
06B-2-8B	8	24.89	28.0	15	6	10	22	0.04
06B-2-9B	9	27.85	31.0	18	8	11	22	0.05
06B-2-10B	10	30.82	34.0	20	8	12	22	0.07
06B-2-11B	11	33.80	37.0	22	10	14	25	0.08
06B-2-12B	12	36.80	40.0	25	10	16	25	0.09
06B-2-13B	13	39.80	43.0	28	10	18	25	0.15
06B-2-14B	14	42.80	46.3	31	10	20	25	0.16
06B-2-15B	15	45.81	49.3	34	10	22	25	0.23
06B-2-16B	16	48.82	52.3	37	12	22	30	0.25
06B-2-17B	17	51.83	55.3	40	12	25	30	0.30
06B-2-18B	18	54.85	58.3	43	12	27	30	0.35
06B-2-19B	19	57.87	61.3	46	12	29	30	0.40
06B-2-20B	20	60.89	64.3	49	12	31	30	0.46
06B-2-21B	21	63.91	68.0	52	12	32	30	0.53
06B-2-22B	22	66.93	71.0	55	12	35	30	0.59
06B-2-23B	23	69.95	73.5	58	12	37	30	0.64
06B-2-24B	24	72.97	77.0	61	12	40	30	0.74
06B-2-25B	25	76.00	80.0	64	12	41	30	0.78
06B-2-26B	26	79.02	83.0	67	12	43	30	0.87
06B-2-27B	27	82.04	86.0	70	12	45	30	0.95
06B-2-28B	28	85.07	89.0	73	12	47	30	1.02
06B-2-29B	29	88.09	92.0	76	12	48	30	1.10
06B-2-30B	30	91.12	94.7	79	12	49	30	1.18
06B-2-31B	31	94.15	98.3	80	16	50	30	1.26
06B-2-32B	32	97.17	101.3	80	16	50	30	1.35
06B-2-33B	33	100.20	104.3	80	16	50	30	1.42
06B-2-34B	34	103.23	107.3	80	16	50	30	1.50
06B-2-35B	35	106.26	110.4	80	16	50	30	1.57
06B-2-36B	36	109.29	113.4	90	16	56	30	1.64
06B-2-37B	37	112.32	116.4	90	16	56	30	1.75
06B-2-38B	38	115.34	119.5	90	16	56	30	1.85
06B-2-39B	39	118.37	122.5	90	16	56	30	1.90
06B-2-40B	40	121.40	125.5	90	16	56	30	1.95

\*Note: Approximate max bore, consult PTI for larger sizes.

### Chain Size: 06B-3 (3/8" x 7/32") Spkt Width: 25.6mm (bf<sub>3</sub>)

Part No.	Teeth	d <sub>o</sub> mm	d <sub>k</sub> mm	d <sub>n</sub> mm	d <sub>1</sub> mm	d <sub>2</sub> * mm	L mm	Wt. kg
06B-3-8B	8	24.89	28.0	15	6	10	32	0.02
06B-3-9B	9	27.85	31.0	18	8	11	32	0.03
06B-3-10B	10	30.82	34.0	20	10	12	32	0.09
06B-3-11B	11	33.80	37.0	22	10	14	35	0.11
06B-3-12B	12	36.80	40.0	25	10	16	35	0.15
06B-3-13B	13	39.80	43.0	28	10	18	35	0.19
06B-3-14B	14	42.80	46.3	31	12	20	35	0.22
06B-3-15B	15	45.81	49.3	34	12	22	35	0.26
06B-3-16B	16	48.82	52.3	37	12	22	35	0.30
06B-3-17B	17	51.83	55.3	40	12	25	35	0.36
06B-3-18B	18	54.85	58.3	43	12	27	35	0.44
06B-3-19B	19	57.87	61.3	46	12	29	35	0.50
06B-3-20B	20	60.89	64.3	49	12	31	35	0.56
06B-3-21B	21	63.91	68.0	52	14	32	40	0.70
06B-3-22B	22	66.93	71.0	55	14	35	40	0.78
06B-3-23B	23	69.95	73.5	58	14	37	40	0.85
06B-3-24B	24	72.97	77.0	61	14	40	40	0.95
06B-3-25B	25	76.00	80.0	64	14	41	40	0.94
06B-3-26B	26	79.02	83.0	67	14	43	40	0.96
06B-3-27B	27	82.04	86.0	70	14	45	40	1.00
06B-3-28B	28	85.07	89.0	73	14	47	40	1.35
06B-3-29B	29	88.09	92.0	76	14	48	40	1.50
06B-3-30B	30	91.12	94.7	79	14	49	40	1.60
06B-3-31B	31	94.15	98.3	80	16	50	40	1.70
06B-3-32B	32	97.17	101.3	80	16	50	40	1.75
06B-3-33B	33	100.20	104.3	80	16	50	40	1.88
06B-3-34B	34	103.23	107.3	85	16	53	40	2.03
06B-3-35B	35	106.26	110.4	85	16	53	40	2.15
06B-3-36B	36	109.29	113.4	90	16	56	40	2.28
06B-3-37B	37	112.32	116.4	90	16	56	40	2.40
06B-3-38B	38	115.34	119.5	90	16	56	40	2.50
06B-3-39B	39	118.37	122.5	90	16	56	40	2.60
06B-3-40B	40	121.40	125.5	90	16	56	40	2.75

# Metric Sprockets



## ISO 06B Plate Type A

DIN 8187/ISO R 606

**Chain Size: 06B-1 (3/8" x 7/32")**

Pitch: 9.525 mm

Roller Width: 5.72 mm

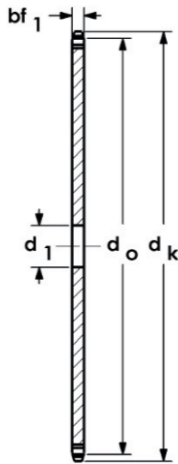
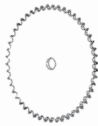
Roller Dia.: 6.35 mm

Spkt. Width: 5.3 mm (bf<sub>1</sub>)

Material: Steel C45



Models Available



**Note:**

Double and triple sprockets including stainless steel available on request.

Part No.	Teeth	d <sub>o</sub> mm	d <sub>k</sub> mm	d <sub>1</sub> mm	Wt. kg
06B-8A	8	24.89	28.0	6	0.02
06B-9A	9	37.85	31.0	8	0.02
06B-10A	10	30.82	34.0	8	0.02
06B-11A	11	33.81	37.0	8	0.03
06B-12A	12	36.80	40.0	8	0.04
06B-13A	13	39.79	43.0	8	0.04
06B-14A	14	42.81	46.0	8	0.05
06B-15A	15	45.81	50.0	8	0.06
06B-16A	16	48.82	53.0	10	0.06
06B-17A	17	51.84	56.0	10	0.07
06B-18A	18	54.85	58.0	10	0.08
06B-19A	19	57.87	62.0	10	0.09
06B-20A	20	60.89	65.0	10	0.10
06B-21A	21	63.91	68.0	10	0.11
06B-22A	22	66.93	71.0	10	0.12
06B-23A	23	69.95	73.5	10	0.14
06B-24A	24	72.97	77.0	10	0.15
06B-25A	25	76.00	80.0	10	0.16
06B-26A	26	79.02	83.0	10	0.18
06B-27A	27	82.05	86.0	10	0.19
06B-28A	28	85.07	89.0	10	0.20
06B-29A	29	88.09	92.0	10	0.22
06B-30A	30	91.12	94.7	10	0.24
06B-31A	31	94.15	98.3	12	0.26
06B-32A	32	97.18	102.0	12	0.27
06B-33A	33	100.20	104.3	12	0.29
06B-34A	34	103.23	107.3	12	0.31
06B-35A	35	106.26	111.0	12	0.32
06B-36A	36	109.29	114.0	12	0.35
06B-37A	37	112.32	116.4	12	0.37
06B-38A	38	115.34	120.0	12	0.39
06B-39A	39	118.37	122.5	12	0.40
06B-40A	40	121.40	125.5	12	0.41
06B-41A	41	124.43	128.5	16	0.45
06B-42A	42	127.46	131.6	16	0.49
06B-43A	43	130.49	134.6	16	0.51
06B-44A	44	133.52	138.0	16	0.53
06B-45A	45	136.55	141.0	16	0.55
06B-46A	46	139.58	143.7	16	0.57
06B-47A	47	142.61	146.7	16	0.60
06B-48A	48	145.64	150.0	16	0.62
06B-49A	49	148.66	152.7	16	0.65
06B-50A	50	151.70	156.0	16	0.67
06B-54A	54	163.82	168.0	16	0.80
06B-57A	57	172.91	177.0	16	0.90
06B-60A	60	182.00	186.0	16	0.98
06B-65A	65	197.15	202.0	20	1.15
06B-70A	70	212.30	217.0	20	1.34
06B-72A	72	218.37	222.5	20	1.43
06B-76A	76	230.49	235.0	20	1.60
06B-80A	80	242.61	247.5	20	1.75
06B-95A	95	288.08	293.0	20	2.50
06B-100A	100	303.25	307.7	20	2.80
06B-114A	114	345.68	349.5	20	2.98
06B-125A	125	397.02	383.5	20	3.15

# Metric Sprockets

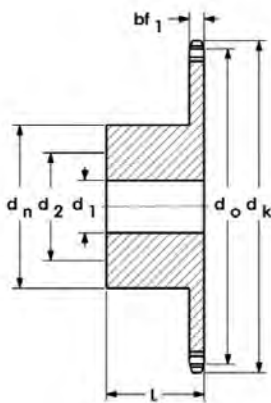


## ISO 081B Hub Type B DIN 8187/ISO R 606

**Chain Size: 081B-1 (1/2" x 1/8")**  
 Pitch: 12.7 mm  
 Roller Width: 3.3 mm  
 Roller Dia.: 7.75 mm  
 Spkt. Width: 3 mm (bf<sub>1</sub>)  
 Material: Steel C45



Models Available



## ISO 083B Hub Type B DIN 8187/ISO R 606

**Chain Size: 083B-1 (1/2" x 3/16")**  
 Pitch: 12.7 mm  
 Roller Width: 4.88 mm  
 Roller Dia.: 7.75 mm  
 Spkt. Width: 4.5 mm (bf<sub>1</sub>)  
 Material: Steel C45

Part No.	Teeth	d <sub>o</sub> mm	d <sub>k</sub> mm	d <sub>n</sub> mm	d <sub>1</sub> mm	d <sub>2</sub> mm	L mm	Wt kg
081B-8B	8	33.18	39.5	21	8	16	14	0.04
081B-9B	9	37.13	43.4	25	8	18	14	0.06
081B-10B	10	41.10	47.4	28	8	21	14	0.06
081B-11B	11	45.07	51.4	31	8	23	16	0.09
081B-12B	12	49.07	55.4	35	8	26	16	0.13
081B-13B	13	53.06	59.4	39	8	28	16	0.15
081B-14B	14	57.07	63.4	43	8	31	16	0.19
081B-15B	15	61.09	67.4	47	8	31	16	0.22
081B-16B	16	65.01	71.4	50	10	35	18	0.25
081B-17B	17	69.11	75.4	50	10	38	18	0.27
081B-18B	18	73.14	79.4	50	10	40	18	0.30
081B-19B	19	77.16	83.5	50	10	42	18	0.32
081B-20B	20	81.19	87.5	50	10	44	18	0.32
081B-21B	21	85.22	91.5	60	12	44	20	0.50
081B-22B	22	89.24	95.5	60	12	44	20	0.50
081B-23B	23	93.27	99.6	60	12	44	20	0.50
081B-24B	24	97.29	103.6	60	12	44	20	0.51
081B-25B	25	101.33	107.6	60	12	44	20	0.56
081B-26B	26	105.36	111.7	70	16	44	20	0.61
081B-27B	27	109.40	115.7	70	16	44	20	0.67
081B-28B	28	113.42	119.7	70	16	44	20	0.70
081B-29B	29	117.46	123.8	70	16	50	20	0.71
081B-30B	30	121.50	127.8	70	16	50	20	0.75
081B-31B	31	125.54	131.8	70	16	56	20	0.76
081B-32B	32	129.56	135.9	70	16	56	20	0.77
081B-33B	33	133.60	139.9	70	16	56	20	0.77
081B-34B	34	137.64	143.9	70	16	56	20	0.81
081B-35B	35	141.68	148.0	70	16	56	20	0.90
081B-36B	36	145.72	152.0	70	16	56	20	0.98
081B-37B	37	149.76	156.1	70	16	56	25	0.98
081B-38B	38	153.80	160.1	70	16	56	25	0.99
081B-39B	39	157.83	164.1	70	16	56	25	1.05
081B-40B	40	161.87	168.2	70	16	56	25	1.10

Part No.	Teeth	d <sub>o</sub> mm	d <sub>k</sub> mm	d <sub>n</sub> mm	d <sub>1</sub> mm	d <sub>2</sub> mm	L mm	Wt kg
083B-8B	8	33.18	39.5	21	8	16	14	0.04
083B-9B	9	37.13	43.4	25	8	18	14	0.05
083B-10B	10	41.10	47.4	28	8	21	14	0.07
083B-11B	11	45.07	51.4	31	8	23	16	0.10
083B-12B	12	49.07	55.4	25	8	26	16	0.18
083B-13B	13	53.06	59.4	39	8	28	16	0.20
083B-14B	14	57.07	63.4	43	8	31	16	0.24
083B-15B	15	61.09	67.4	47	8	31	16	0.24
083B-16B	16	65.01	71.4	50	10	35	18	0.30
083B-17B	17	69.11	75.4	50	10	38	18	0.32
083B-18B	18	73.14	79.4	50	10	40	18	0.33
083B-19B	19	77.16	83.5	50	10	42	18	0.34
083B-20B	20	81.19	87.5	50	10	44	18	0.42
083B-21B	21	85.22	91.5	60	12	44	20	0.51
083B-22B	22	89.24	95.5	60	12	44	20	0.53
083B-23B	23	93.27	99.6	60	12	44	20	0.56
083B-24B	24	97.29	103.6	60	12	44	20	0.56
083B-25B	25	101.33	107.6	60	12	44	20	0.64
083B-26B	26	105.36	111.7	70	16	44	20	0.72
083B-27B	27	109.40	115.7	70	16	44	20	0.78
083B-28B	28	113.42	119.7	70	16	44	20	0.77
083B-29B	29	117.46	123.8	70	16	50	20	0.81
083B-30B	30	121.50	127.8	70	16	50	20	0.83
083B-31B	31	125.54	131.8	70	16	56	20	0.85
083B-32B	32	129.56	135.9	70	16	56	20	0.87
083B-33B	33	133.60	139.9	70	16	56	20	0.90
083B-34B	34	137.64	143.9	70	16	56	20	0.92
083B-35B	35	141.68	148.0	70	16	56	20	0.95
083B-36B	36	145.72	152.0	70	16	56	20	1.16
083B-37B	37	149.76	156.1	70	16	56	25	1.16
083B-38B	38	153.80	160.1	70	16	56	25	1.19
083B-39B	39	157.83	164.1	70	16	56	25	1.22
083B-40B	40	161.87	168.2	70	16	56	25	1.30

Note: Hardened Teeth and Finished Bore available on request.

# Metric Sprockets

## ISO 081B Plate Type A

DIN 8187/ISO R 606

Chain Size: 081B-1 (1/2" x 1/8")

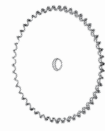
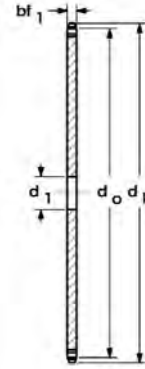
Pitch: 12.7 mm

Roller Width: 3.3 mm

Roller Dia.: 7.75 mm

Spkt. Width: 3 mm ( $bf_1$ )

Material: Steel C45



Models Available

Part No.	Teeth	d <sub>o</sub> mm	d <sub>k</sub> mm	d <sub>1</sub> mm	Wt. kg
081B-8A	8	33.18	39.5	8	0.020
081B-9A	9	37.13	43.4	8	0.025
081B-10A	10	41.10	47.4	8	0.028
081B-11A	11	45.07	51.4	8	0.030
081B-12A	12	49.07	55.4	8	0.035
081B-13A	13	53.06	59.4	8	0.040
081B-14A	14	57.07	63.4	8	0.050
081B-15A	15	61.09	67.4	8	0.055
081B-16A	16	65.10	71.4	10	0.065
081B-17A	17	69.11	75.4	10	0.070
081B-18A	18	73.14	79.4	10	0.080
081B-19A	19	77.16	83.5	10	0.090
081B-20A	20	81.19	87.5	10	0.110
081B-21A	21	85.22	91.5	10	0.115
081B-22A	22	89.24	95.5	10	0.130
081B-23A	23	93.27	99.6	10	0.145
081B-24A	24	97.29	103.6	10	0.155
081B-25A	25	101.33	107.6	10	0.170
081B-26A	26	105.36	111.7	12	0.180
081B-27A	27	109.40	115.7	12	0.195
081B-28A	28	113.42	119.7	12	0.215
081B-29A	29	117.46	123.8	12	0.280
081B-30A	30	121.50	127.8	12	0.350
081B-31A	31	125.54	131.8	12	0.270
081B-32A	32	129.56	135.9	12	0.280
081B-33A	33	133.60	139.9	12	0.285
081B-34A	34	137.64	143.9	12	0.410
081B-35A	35	141.68	148.0	12	0.460
081B-36A	36	145.72	152.0	16	0.480
081B-37A	37	149.76	156.1	16	0.510
081B-38A	38	153.80	160.1	16	0.525
081B-39A	39	157.83	164.1	16	0.500
081B-40A	40	161.87	168.2	16	0.600
081B-41A	41	165.91	172.7	16	0.610
081B-42A	42	169.95	176.7	16	0.665
081B-43A	43	173.99	180.8	16	0.700

Part No.	Teeth	d <sub>o</sub> mm	d <sub>k</sub> mm	d <sub>1</sub> mm	Wt. kg
081B-44A	44	178.03	184.8	16	0.73
081B-45A	45	182.07	188.9	16	0.76
081B-46A	46	186.10	192.9	20	0.81
081B-47A	47	190.14	196.9	20	0.85
081B-48A	48	194.18	201.0	20	0.88
081B-49A	49	198.22	205.0	20	0.905
081B-50A	50	202.26	209.1	20	0.91
081B-51A	51	206.30	213.1	20	0.95
081B-52A	52	210.34	217.1	20	1.00
081B-53A	53	214.37	221.2	20	1.05
081B-54A	54	218.43	225.2	20	1.08
081B-55A	55	222.46	229.3	20	1.12
081B-56A	56	226.50	233.3	20	1.15
081B-57A	57	230.54	237.3	20	1.00
081B-58A	58	234.58	241.4	20	1.10
081B-59A	59	238.62	245.4	20	1.20
081B-60A	60	242.66	249.5	20	1.30
081B-62A	62	250.75	257.5	20	1.51
081B-64A	64	258.82	265.6	20	1.45
081B-65A	65	262.86	269.7	20	1.47
081B-66A	66	266.90	273.7	25	1.48
081B-68A	68	274.99	281.8	25	1.50
081B-70A	70	283.07	289.9	25	1.89
081B-72A	72	291.16	298.0	25	1.92
081B-75A	75	303.27	310.1	25	1.95
081B-76A	76	307.33	314.1	25	1.98
081B-78A	78	315.40	322.2	25	2.00
081B-80A	80	323.48	330.3	25	2.10
081B-85A	85	343.69	350.5	25	2.20
081B-90A	90	363.90	370.7	25	2.30
081B-95A	95	384.11	390.9	25	2.51
081B-100A	100	404.31	411.1	25	2.60
081B-110A	110	444.74	451.5	25	2.62
081B-114A	114	460.90	467.7	25	2.65
081B-120A	120	485.16	492.0	25	3.00
081B-125A	125	505.37	512.2	25	3.10

# Metric Sprockets

## ISO 083B Plate Type A

DIN 8187/ISO R 606

Chain Size: 083B-1 (1/2" x 3/16")

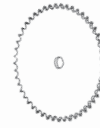
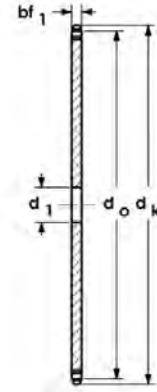
Pitch: 12.7 mm

Roller Width: 4.88 mm

Roller Dia.: 7.75 mm

Spkt. Width: 4.5 mm ( $bf_1$ )

Material: Steel C45



Models Available



Part No.	Teeth	d <sub>o</sub> mm	d <sub>k</sub> mm	d <sub>1</sub> mm	Wt. kg
083B-8A	8	33.18	39.5	8	0.018
083B-9A	9	37.13	43.4	8	0.020
083B-10A	10	41.10	47.4	8	0.030
083B-11A	11	45.07	51.4	8	0.040
083B-12A	12	49.07	55.4	8	0.050
083B-13A	13	53.06	59.4	8	0.060
083B-14A	14	57.07	63.4	8	0.070
083B-15A	15	61.09	67.4	8	0.080
083B-16A	16	65.01	71.4	10	0.090
083B-17A	17	69.11	75.4	10	0.100
083B-18A	18	73.14	79.4	10	0.120
083B-19A	19	77.16	83.5	10	0.130
083B-20A	20	81.19	87.5	10	0.170
083B-21A	21	85.22	91.5	10	0.185
083B-22A	22	89.24	95.5	10	0.200
083B-23A	23	93.27	99.6	10	0.225
083B-24A	24	97.29	103.6	10	0.250
083B-25A	25	101.33	107.6	10	0.260
083B-26A	26	105.36	111.7	12	0.285
083B-27A	27	109.40	115.7	12	0.310
083B-28A	28	113.42	119.7	12	0.335
083B-29A	29	117.46	123.8	12	0.350
083B-30A	30	121.50	127.8	12	0.370
083B-31A	31	125.54	131.8	12	0.395
083B-32A	32	129.56	135.9	12	0.420
083B-33A	33	133.60	139.9	12	0.450
083B-34A	34	137.64	143.9	12	0.470
083B-35A	35	141.68	148.0	12	0.540
083B-36A	36	145.72	152.0	16	0.550
083B-37A	37	149.76	156.1	16	0.580
083B-38A	38	153.80	160.1	16	0.610
083B-39A	39	157.83	164.1	16	0.645
083B-40A	40	161.87	168.2	16	0.690
083B-41A	41	165.91	172.7	16	0.725
083B-42A	42	169.95	176.7	16	0.760
083B-43A	43	173.99	180.8	16	0.800

Part No.	Teeth	d <sub>o</sub> mm	d <sub>k</sub> mm	d <sub>1</sub> mm	Wt. kg
083B-44A	44	178.03	184.8	16	0.835
083B-45A	45	182.07	188.9	16	0.870
083B-46A	46	186.10	192.9	20	0.900
083B-47A	47	190.14	196.9	20	0.930
083B-48A	48	194.18	201.0	20	1.000
083B-49A	49	198.22	205.0	20	1.010
083B-50A	50	202.26	209.1	20	1.045
083B-51A	51	206.30	213.1	20	1.050
083B-52A	52	210.34	217.1	20	1.055
083B-53A	53	214.37	221.2	20	1.150
083B-54A	54	218.43	225.2	20	1.280
083B-55A	55	222.46	229.3	20	1.100
083B-56A	56	226.50	233.3	20	1.300
083B-57A	57	230.54	237.3	20	1.310
083B-58A	58	234.58	241.4	20	1.445
083B-59A	59	238.62	245.4	20	1.480
083B-60A	60	242.66	249.5	20	1.560
083B-62A	62	250.75	257.5	20	1.650
083B-64A	64	258.82	265.6	20	1.800
083B-65A	65	262.86	269.7	20	1.850
083B-66A	66	266.90	273.7	25	1.900
083B-68A	68	274.99	281.8	25	2.050
083B-70A	70	283.07	289.9	25	2.080
083B-72A	72	291.16	298.0	25	2.350
083B-75A	75	303.27	310.1	25	2.450
083B-76A	76	307.33	314.1	25	2.500
083B-78A	78	315.40	322.2	25	3.100
083B-80A	80	323.48	330.3	25	3.700
083B-85A	85	343.69	350.5	25	3.730
083B-90A	90	363.90	370.7	25	3.775
083B-95A	95	384.11	390.9	25	5.650
083B-100A	100	404.31	411.1	25	5.700
083B-110A	110	444.74	451.5	25	6.000
083B-114A	114	460.90	467.7	25	6.700
083B-120A	120	485.16	492.0	25	6.800
083B-125A	125	505.37	512.2	25	6.750

# Metric Sprockets



## ISO 085B Hub Type B

DIN 8187/ISO R 606

**Chain Size: 085B-1 (1/2" x 1/4")**

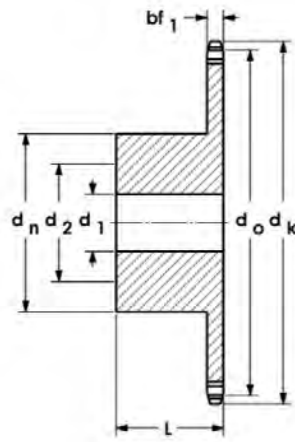
Pitch: 12.7 mm

Roller Width: 6.4 mm

Roller Dia.: 7.75 mm

Spkt. Width: 5.9 mm (bf<sub>1</sub>)

Material: Steel C45



Models Available

**Chain Size: 085B-1 (1/2" x 1/4")**

Part No.	Teeth	d <sub>o</sub> mm	d <sub>k</sub> mm	d <sub>n</sub> mm	d <sub>1</sub> mm	d <sub>2</sub> mm	L mm	Wt. kg
085B-8B	8	33.18	39.5	20	10	16	25	0.06
085B-9B	9	37.13	43.4	24	10	18	25	0.08
085B-10B	10	41.10	47.4	26	10	21	25	0.10
085B-11B	11	45.07	51.4	29	10	23	25	0.15
085B-12B	12	49.07	55.4	33	10	26	25	0.20
085B-13B	13	53.06	59.4	37	10	28	28	0.25
085B-14B	14	57.07	63.4	41	10	31	28	0.30
085B-15B	15	61.09	67.4	45	10	31	28	0.40
085B-16B	16	65.01	71.4	50	12	35	28	0.50
085B-17B	17	69.11	75.4	52	12	38	28	0.50
085B-18B	18	73.14	79.4	56	12	40	28	0.60
085B-19B	19	77.16	83.5	60	12	42	28	0.70
085B-20B	20	81.19	87.5	64	12	44	28	0.80
085B-21B	21	85.22	91.5	68	14	44	28	0.80
085B-22B	22	89.24	95.5	70	14	44	28	0.90
085B-23B	23	93.27	99.6	70	14	44	28	1.00
085B-24B	24	97.29	103.6	70	14	44	28	1.10
085B-25B	25	101.33	107.6	70	14	44	28	1.15
085B-26B	26	105.36	111.7	70	16	44	30	1.20
085B-27B	27	109.40	115.7	70	16	44	30	1.30
085B-28B	28	113.42	119.7	70	16	44	30	1.35
085B-29B	29	117.46	123.8	80	16	50	30	1.40
085B-30B	30	121.50	127.8	80	16	50	30	1.50
085B-31B	31	125.54	131.8	90	16	56	30	1.60
085B-32B	32	129.56	135.9	90	16	56	30	1.73
085B-33B	33	133.60	139.9	90	16	56	30	1.77
085B-34B	34	137.64	143.9	90	16	56	30	1.85
085B-35B	35	141.68	148.0	90	16	56	30	1.82
085B-36B	36	145.72	152.0	90	16	56	35	2.00
085B-37B	37	149.76	156.1	90	16	56	35	2.16
085B-38B	38	153.80	160.1	90	16	56	35	2.20
085B-39B	39	157.83	164.1	90	16	56	35	2.23
085B-40B	40	161.87	168.2	90	16	56	35	2.27

Note: Hardened Teeth and Finished Bore available on request.



# Metric Sprockets

## ISO 085B Plate Type A

DIN 8187/ISO R 606

Chain Size: **085B-1 (1/2" x 1/4")**

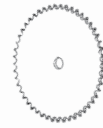
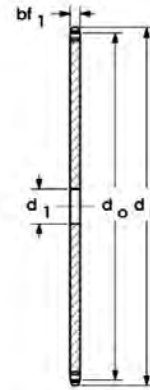
Pitch: 12.7 mm

Roller Width: 6.4 mm

Roller Dia.: 7.75 mm

Spkt. Width: 5.9 mm (bf<sub>1</sub>)

Material: Steel C45



Models Available

Part No.	Teeth	d <sub>o</sub> mm	d <sub>k</sub> mm	d <sub>1</sub> mm	Wt. kg
085B-8A	8	33.18	39.5	8	0.1
085B-9A	9	37.13	43.4	8	0.1
085B-10A	10	41.10	47.4	8	0.1
085B-11A	11	45.07	51.4	8	0.1
085B-12A	12	49.07	55.4	8	0.1
085B-13A	13	53.06	59.4	8	0.1
085B-14A	14	57.07	63.4	8	0.1
085B-15A	15	61.09	67.4	8	0.1
085B-16A	16	65.10	71.4	10	0.1
085B-17A	17	69.11	75.4	10	0.1
085B-18A	18	73.14	79.4	10	0.2
085B-19A	19	77.16	83.5	10	0.2
085B-20A	20	81.19	87.5	10	0.2
085B-21A	21	85.22	91.5	10	0.2
085B-22A	22	89.24	95.5	10	0.2
085B-23A	23	93.27	99.6	10	0.3
085B-24A	24	97.29	103.6	10	0.4
085B-25A	25	101.33	107.6	10	0.4
085B-26A	26	105.36	111.7	12	0.4
085B-27A	27	109.40	115.7	12	0.5
085B-28A	28	113.42	119.7	12	0.5
085B-29A	29	117.46	123.8	12	0.5
085B-30A	30	121.50	127.8	12	0.52
085B-31A	31	125.54	131.8	12	0.54
085B-32A	32	129.56	135.9	12	0.6
085B-33A	33	133.60	139.9	12	0.6
085B-34A	34	137.64	143.9	12	0.6
085B-35A	35	141.68	148.0	12	0.6
085B-36A	36	145.72	152.0	16	0.65
085B-37A	37	149.76	156.1	16	0.8
085B-38A	38	153.80	160.1	16	0.8
085B-39A	39	157.83	164.1	16	0.8
085B-40A	40	161.87	168.2	16	0.8
085B-41A	41	165.91	172.7	16	0.9
085B-42A	42	169.95	176.7	16	0.9
085B-43A	43	173.99	180.8	16	0.9

Part No.	Teeth	d <sub>o</sub> mm	d <sub>k</sub> mm	d <sub>1</sub> mm	Wt. kg
085B-44A	44	178.03	184.8	16	1.0
085B-45A	45	182.07	188.9	16	1.1
085B-46A	46	186.10	192.9	20	1.1
085B-47A	47	190.14	196.9	20	1.3
085B-48A	48	194.18	201.0	20	1.5
085B-49A	49	198.22	205.0	20	1.5
085B-50A	50	202.26	209.1	20	1.5
085B-51A	51	206.30	213.1	20	1.54
085B-52A	52	210.34	217.1	20	1.6
085B-53A	53	214.37	221.2	20	1.6
085B-54A	54	218.43	225.2	20	1.6
085B-55A	55	222.46	229.3	20	1.62
085B-56A	56	226.50	233.3	20	1.62
085B-57A	57	230.54	237.3	20	1.7
085B-58A	58	234.58	241.4	20	1.7
085B-59A	59	238.62	245.4	20	1.8
085B-60A	60	242.66	249.5	20	1.8
085B-62A	62	250.75	257.5	20	1.8
085B-64A	64	258.82	265.6	20	1.9
085B-65A	65	262.86	269.7	20	1.9
085B-66A	66	266.90	273.7	25	2.0
085B-68A	68	274.99	281.8	25	2.5
085B-70A	70	283.07	289.9	25	2.7
085B-72A	72	291.16	298.0	25	2.8
085B-75A	75	303.27	310.1	25	3.0
085B-76A	76	307.33	314.1	25	3.0
085B-78A	78	315.40	322.2	25	3.1
085B-80A	80	323.48	330.3	25	3.2
085B-85A	85	343.69	350.5	25	3.5
085B-90A	90	363.90	370.7	25	3.5
085B-95A	95	384.11	390.9	25	4.0
085B-100A	100	404.31	411.1	25	4.0
085B-110A	110	444.74	451.5	25	4.5
085B-114A	114	460.90	467.7	25	4.5
085B-120A	120	485.16	492.0	25	5.0
085B-125A	125	505.37	512.2	25	5.0

# Metric Sprockets



## Taper Bushed Type TL

ISO 08B, DIN 8187 - ISO/R 606

Single, Double, Triple

Standard and Hardened Teeth

Material: Steel C45 E

Drawing Dimensions	Sprocket Size
	08B
h1	7.2
h2	21
h3	34.9
L	7

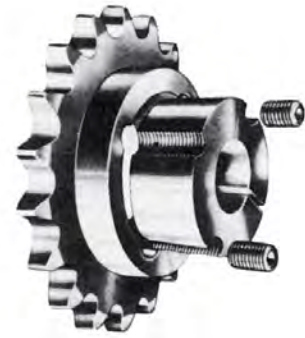
Part No: 08B-20HTL-1610

08B = Chain Size

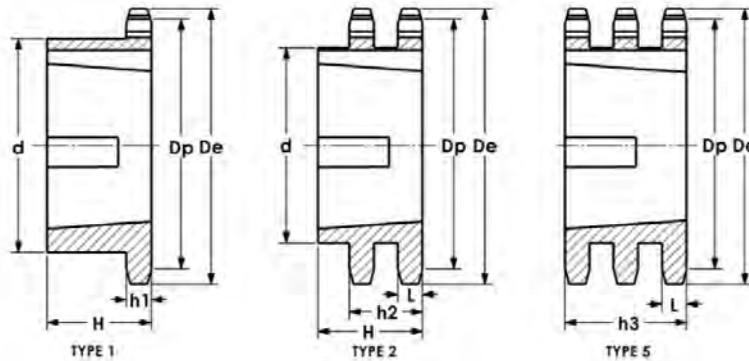
20 = Number of Teeth

H = Hardened Teeth

TL-1610 = TL Bushing Size



Models Available



Dimensions in mm

Chain Size 1/2" x 5/16"	Teeth	D <sub>e</sub>	D <sub>p</sub>	Single				Double				Triple			
				Part No.	Type	d	H	Part No.	Type	d	H	Part No.	Type	d	H
08B	15	65.5	61.90	08B-15HTL-1008	1	45	22	08B-2-15TL-1008	2	46	22	08B-3-15TL-1008	5	—	34.9
	16	69.5	65.10	08B-16TL-1108	1	50	22	08B-2-16TL-1108	2	50	22	—	—	—	—
	17	73.6	69.11	08B-17HTL-1210	1	60	25	08B-2-17TL-1210	2	56	25	08B-3-17TL-1210	5	—	34.9
	18	77.8	73.14	08B-18TL-1210	1	60	25	08B-2-18TL-1210	2	60	25	—	—	—	—
	19	81.7	77.16	08B-19HTL-1210	1	63	25	08B-2-19TL-1210	2	62	25	08B-3-19TL-1210	5	—	34.9
	20	85.8	81.19	08B-20TL-1610	1	71	25	08B-2-20TL-1610	2	66	25	—	—	—	—
	21	89.7	85.22	08B-21HTL-1610	1	71	25	08B-2-21TL-1610	2	70	25	08B-3-21TL-1610	5	—	34.9
	22	93.8	89.24	08B-22TL-1610	1	71	25	08B-2-22TL-1610	2	76	25	—	—	—	—
	23	98.2	93.27	08B-23HTL-1610	1	76	25	08B-2-23TL-1610	2	79	25	08B-3-23TL-1610	5	—	34.9
	24	101.8	97.29	08B-24TL-1610	1	76	25	08B-2-24TL-1610	2	84	25	—	—	—	—
	25	105.8	101.33	08B-25HTL-1610	1	76	25	08B-2-25TL-2012	2	87	32	08B-3-25TL-2012	5	—	34.9
	26	110.0	105.36	08B-26TL-1610	1	76	25	08B-2-26TL-2012	2	87	32	—	—	—	—
	27	114.4	109.40	08B-27HTL-1610	1	76	25	08B-2-27TL-2012	2	87	32	08B-3-27TL-2012	5	—	34.9
	28	118.0	113.42	08B-28TL-2012	1	90	32	08B-2-28TL-2012	2	87	32	—	—	—	—
	30	126.1	121.50	08B-30HTL-2012	1	90	32	08B-2-30TL-2012	2	87	32	08B-3-30TL-2012	5	—	34.9
	38	158.6	153.80	08B-38TL-2012	1	90	32	08B-2-38TL-2012	2	100	32	08B-3-38TL-2012	5	—	34.9
	45	188.0	182.07	08B-45TL-2012	1	100	32	08B-2-45TL-2012	2	100	32	—	—	—	—
	57	236.4	230.54	08B-57TL-2012	1	100	32	08B-2-57TL-2012	2	100	32	—	—	—	—
76	313.3	307.33	08B-76TL-2012	1	100	32	08B-2-76TL-2012	2	100	32	—	—	—	—	
95	390.1	304.11	08B-95TL-2012	1	100	32	08B-2-95TL-2012	2	100	32	—	—	—	—	
114	466.9	460.90	08B-114TL-2517	1	110	45	08B-2-114TL-2517	2	110	45	—	—	—	—	

Note: Shaded items with "H" in Part No. indicates Hardened Teeth.

# Metric Sprockets

## Standard, Hardened Teeth and Stainless Steel



ISO 08B Hub Type B  
DIN 8187/ISO R 606

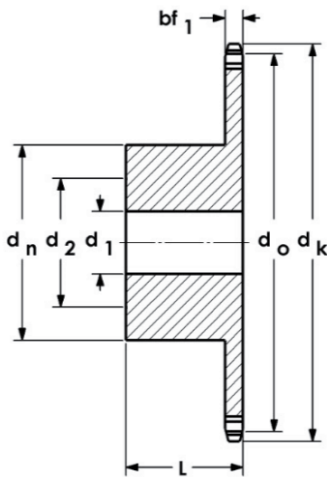
Chain Size: 08B-1 (1/2" x 5/16")  
Pitch: 12.7 mm  
Roller Width: 7.75 mm  
Roller Dia.: 8.51 mm  
Spkt. Width: 7.2 mm (bf<sub>1</sub>)  
Material: Standard Steel C45  
Material: Stainless Steel 304L



Standard

Hardened Teeth

Stainless Steel



Models Available

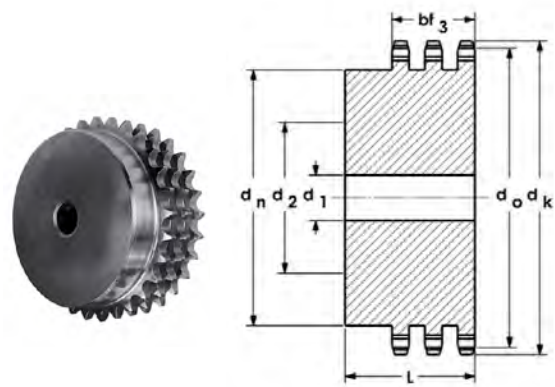
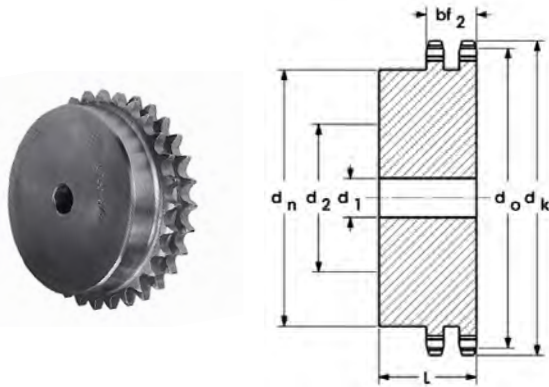
**Note:** All sizes can be Induction Hardened. Finish Bore and Keyway available on request. Other Stainless sizes available on request.

Part No. Standard	Part No. Hardened Teeth	Part No. Stainless Steel	Teeth	d <sub>o</sub> mm	d <sub>k</sub> mm	d <sub>n</sub> mm	d <sub>1</sub> mm	d <sub>2</sub> mm	L mm	Wt. kg
08B-8B	—	—	8	33.18	37.2	20	10	12	25	0.07
08B-9B	—	—	9	37.13	41.0	24	10	14	25	0.08
08B-10B	—	—	10	41.10	45.2	26	10	16	25	0.10
08B-11B	—	—	11	45.07	48.7	29	10	18	25	0.15
08B-12B	08B-12BH	08B-12BSS	12	49.07	53.0	33	10	21	28	0.20
08B-13B	08B-13BH	08B-13BSS	13	53.06	57.4	37	10	23	28	0.25
08B-14B	08B-14BH	08B-14BSS	14	57.07	61.8	41	10	26	28	0.32
08B-15B	08B-15BH	08B-15BSS	15	61.09	65.5	45	10	28	28	0.40
08B-16B	08B-16BH	08B-16BSS	16	65.10	69.5	50	12	31	28	0.45
08B-17B	08B-17BH	08B-17BSS	17	69.11	73.6	52	12	31	28	0.50
08B-18B	08B-18BH	08B-18BSS	18	73.14	77.8	56	12	35	28	0.59
08B-19B	08B-19BH	08B-19BSS	19	77.16	81.7	60	12	38	28	0.65
08B-20B	08B-20BH	08B-20BSS	20	81.19	85.8	64	12	40	28	0.75
08B-21B	08B-21BH	08B-21BSS	21	85.22	89.7	68	12	42	28	0.85
08B-22B	08B-22BH	08B-22BSS	22	89.24	93.8	70	12	44	28	0.93
08B-23B	08B-23BH	08B-23BSS	23	93.27	98.2	70	14	44	28	0.95
08B-24B	08B-24BH	08B-24BSS	24	97.29	101.8	70	14	44	28	0.97
08B-25B	08B-25BH	08B-25BSS	25	101.33	105.8	70	14	44	28	1.00
08B-26B	—	08B-26BSS	26	105.36	110.0	70	16	44	30	1.10
08B-27B	—	—	27	109.40	114.0	70	16	44	30	1.13
08B-28B	—	—	28	113.42	118.0	70	16	44	30	1.15
08B-29B	—	—	29	117.46	122.0	80	16	50	30	1.40
08B-30B	08B-30BH	08B-30BSS	30	121.50	126.1	80	16	50	30	1.45
08B-31B	—	—	31	125.54	130.2	90	16	56	30	1.51
08B-32B	—	—	32	129.56	134.3	90	16	56	30	1.80
08B-33B	—	—	33	133.60	138.4	90	16	56	30	1.85
08B-34B	—	—	34	137.64	142.6	90	16	56	30	1.90
08B-35B	—	—	35	141.68	146.7	90	16	56	30	1.95
08B-36B	—	—	36	145.72	151.0	90	16	56	35	2.20
08B-37B	—	—	37	149.76	154.6	90	16	56	35	2.25
08B-38B	—	—	38	153.80	158.6	90	16	56	35	2.30
08B-39B	—	—	39	157.83	162.7	90	16	56	35	2.35
08B-40B	—	—	40	161.87	166.8	90	16	56	35	2.45

# Metric Sprockets



## ISO 08B-2 and 08B-3 Hub Type B



Chain Size: 08B-2 (1/2" x 5/16")  
Spkt Width: 21mm (bf<sub>2</sub>)

Part No.	Teeth	d <sub>o</sub> mm	d <sub>k</sub> mm	d <sub>n</sub> mm	d <sub>1</sub> mm	d <sub>2</sub> * mm	L mm	Wt. kg
08B-2-8B	8	33.18	37.2	20	10	12	32	0.07
08B-2-9B	9	37.13	41.0	24	10	14	32	0.10
08B-2-10B	10	41.10	45.2	28	10	16	32	0.15
08B-2-11B	11	45.70	48.7	32	12	18	35	0.22
08B-2-12B	12	49.07	53.0	35	12	20	35	0.29
08B-2-13B	13	53.06	57.4	38	12	23	35	0.35
08B-2-14B	14	57.07	61.8	42	12	26	35	0.43
08B-2-15B	15	61.09	65.5	46	12	28	35	0.50
08B-2-16B	16	65.10	69.5	50	14	31	35	0.60
08B-2-17B	17	69.11	73.6	54	14	34	35	0.74
08B-2-18B	18	73.14	77.8	58	14	36	35	0.79
08B-2-19B	19	77.16	81.7	62	14	39	35	0.90
08B-2-20B	20	81.19	85.8	66	14	41	35	1.10
08B-2-21B	21	85.22	89.7	70	16	44	40	1.30
08B-2-22B	22	89.24	93.8	70	16	44	40	1.34
08B-2-23B	23	93.27	98.2	70	16	44	40	1.45
08B-2-24B	24	97.29	101.8	75	16	47	40	1.59
08B-2-25B	25	101.33	105.8	80	16	50	40	1.80
08B-2-26B	26	105.36	110.0	85	20	53	40	1.95
08B-2-27B	27	109.40	114.0	85	20	53	40	2.05
08B-2-28B	28	113.42	118.0	90	20	56	40	2.26
08B-2-29B	29	117.46	122.0	95	20	60	40	2.46
08B-2-30B	30	121.50	126.1	100	20	63	40	2.65
08B-2-31B	31	125.54	130.2	100	20	63	40	2.83
08B-2-32B	32	129.56	134.3	100	20	63	40	3.00
08B-2-33B	33	133.60	138.4	100	20	63	40	3.10
08B-2-34B	34	137.64	142.6	100	20	63	40	3.25
08B-2-35B	35	141.68	146.7	100	20	63	40	3.35
08B-2-36B	36	145.72	151.0	110	20	70	40	3.50
08B-2-37B	37	149.76	154.6	110	20	70	40	3.65
08B-2-38B	38	153.80	158.6	110	20	70	40	3.75
08B-2-39B	39	157.83	162.7	110	20	70	40	4.00
08B-2-40B	40	161.87	166.8	110	20	70	40	4.25

Chain Size: 08B-3 (1/2" x 5/16")  
Spkt Width: 34.9mm (bf<sub>3</sub>)

Part No.	Teeth	d <sub>o</sub> mm	d <sub>k</sub> mm	d <sub>n</sub> mm	d <sub>1</sub> mm	d <sub>2</sub> * mm	L mm	Wt. kg
08B-3-8B	8	33.18	37.2	20	10	12	46	0.17
08B-3-9B	9	37.13	41.0	24	12	14	46	0.20
08B-3-10B	10	41.10	45.2	28	12	16	46	0.24
08B-3-11B	11	45.07	48.7	32	14	18	50	0.38
08B-3-12B	12	49.07	53.0	35	14	20	50	0.39
08B-3-13B	13	53.06	57.4	38	14	24	50	0.47
08B-3-14B	14	57.07	61.8	41	14	25	50	0.60
08B-3-15B	15	61.09	65.5	46	14	28	50	0.70
08B-3-16B	16	65.10	69.5	50	16	31	50	0.85
08B-3-17B	17	69.11	73.6	54	16	32	50	0.98
08B-3-18B	18	73.14	77.8	58	16	36	50	1.15
08B-3-19B	19	77.16	81.7	62	16	40	50	1.30
08B-3-20B	20	81.19	85.8	66	16	41	50	1.45
08B-3-21B	21	85.22	89.7	70	20	44	55	1.70
08B-3-22B	22	89.24	93.8	70	20	44	55	1.85
08B-3-23B	23	93.27	98.2	70	20	44	55	2.00
08B-3-24B	24	97.29	101.8	75	20	47	55	2.25
08B-3-25B	25	101.33	105.8	80	20	50	55	2.50
08B-3-26B	26	105.36	110.0	85	20	53	55	2.78
08B-3-27B	27	109.40	114.0	85	20	53	55	2.95
08B-3-28B	28	113.42	118.0	90	20	56	55	3.23
08B-3-29B	29	117.46	122.0	95	20	60	55	3.50
08B-3-30B	30	121.50	126.1	100	20	63	55	3.80
08B-3-31B	31	125.54	130.2	110	20	70	55	4.30
08B-3-32B	32	129.56	134.3	110	20	70	55	4.50
08B-3-33B	33	133.60	138.4	110	20	70	55	4.72
08B-3-34B	34	137.64	142.6	110	20	70	55	4.95
08B-3-35B	35	141.68	146.7	110	20	70	55	5.15
08B-3-36B	36	145.72	151.0	120	25	76	55	5.62
08B-3-37B	37	149.76	154.6	120	25	76	55	5.85
08B-3-38B	38	153.80	158.6	120	25	76	55	6.15
08B-3-39B	39	157.83	162.7	120	25	76	55	6.38
08B-3-40B	40	161.87	166.8	120	25	76	55	6.60

# Metric Sprockets



## ISO 08B Plate Type A DIN 8187/ISO R 606

Chain Size: 08B-1 (1/2" x 5/16")

Pitch: 12.7 mm

Roller Width: 7.75 mm

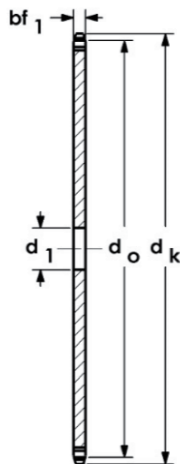
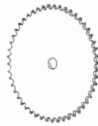
Roller Dia.: 8.51 mm

Spkt. Width: 7.2 mm (bf<sub>1</sub>)

Material: Steel C45



Models Available



Note:  
Double and triple sprockets including stainless steel available on request.

Part No.	Teeth	d <sub>o</sub> mm	d <sub>k</sub> mm	d <sub>1</sub> mm	Wt. kg
08B-8A	8	37.0	33.2	8	0.02
08B-9A	9	41.0	37.1	8	0.02
08B-10A	10	41.1	45	8	0.05
08B-11A	11	45.1	49	10	0.07
08B-12A	12	49.1	53	10	0.08
08B-13A	13	53.6	58	10	0.10
08B-14A	14	57.7	62	10	0.11
08B-15A	15	61.1	66	10	0.13
08B-16A	16	65.1	70	10	0.16
08B-17A	17	69.1	74	10	0.18
08B-18A	18	73.1	78	10	0.20
08B-19A	19	77.2	82	10	0.23
08B-20A	20	81.2	86	10	0.25
08B-21A	21	85.5	90	12	0.28
08B-22A	22	89.2	94	12	0.30
08B-23A	23	93.3	99	12	0.33
08B-24A	24	97.3	102	12	0.37
08B-25A	25	101.3	106	12	0.40
08B-26A	26	105.4	110	16	0.43
08B-27A	27	109.4	115	16	0.47
08B-28A	28	113.4	118	16	0.50
08B-29A	29	117.5	122	16	0.55
08B-30A	30	121.5	127	16	0.58
08B-31A	31	125.54	130.2	16	0.61
08B-32A	32	129.6	135	16	0.66
08B-33A	33	133.6	138.4	16	0.71
08B-34A	34	137.6	143	16	0.75
08B-35A	35	141.7	147	16	0.79
08B-36A	36	145.7	151	16	0.84
08B-37A	37	149.76	154.6	16	0.92
08B-38A	38	153.8	159	16	0.94
08B-40A	40	161.9	167	16	1.04
08B-42A	42	170.0	176	20	1.15
08B-44A	44	178.0	184	20	1.25
08B-45A	45	182.1	188	20	1.30
08B-46A	46	186.1	192	20	1.36
08B-47A	47	190.14	196.2	20	1.38
08B-48A	48	194.2	203	20	1.50
08B-49A	49	198.2	205	20	1.55
08B-50A	50	202.3	209	20	1.66
08B-54A	54	218.4	224	20	1.88
08B-57A	57	230.5	237	20	2.10
08B-60A	60	242.7	249	20	2.36
08B-65A	65	262.9	269	25	2.75
08B-70A	70	283.1	289	25	3.22
08B-76A	76	307.33	314	25	3.86
08B-80A	80	323.5	330	25	4.26
08B-90A	90	363.9	370	25	5.43
08B-95A	95	384.1	390	25	6.07
08B-100A	100	404.3	411	25	6.72
08B-114A	114	460.9	467	25	8.85
08B-125A	125	505.4	511	25	10.50

# Metric Sprockets

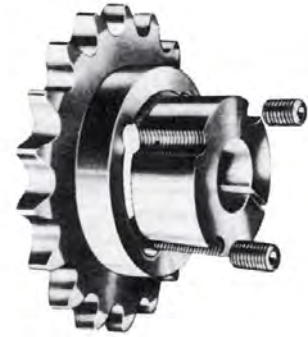
## Taper Bushed Type TL

ISO 10B, DIN 8187 - ISO/R 606

Single, Double, Triple

Standard and Hardened Teeth

Material: Steel C45 E



Models Available

Drawing Dimensions	Sprocket Size
	10B
h1	9.1
h2	25.5
h3	42.1
L	9

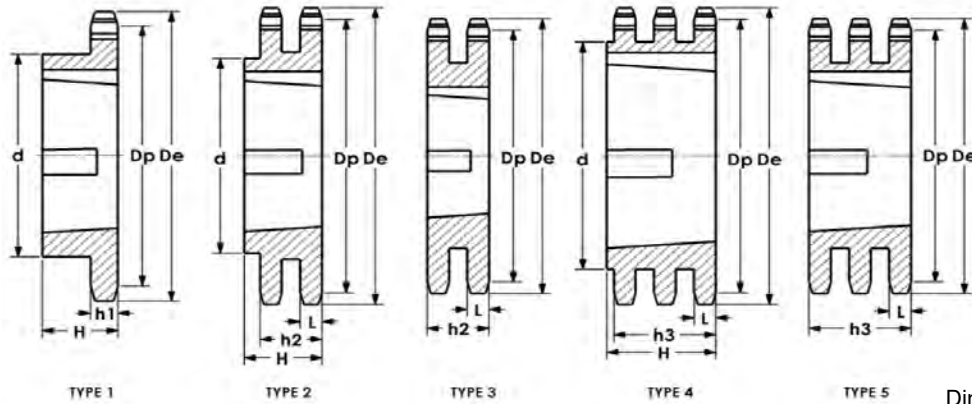
Part No: 10B-21HTL-1610

10B = Chain Size

21 = Number of Teeth

H = Hardened Teeth

TL-1610 = TL Bushing Size



Dimensions in mm

Chain Size 5/8" x 3/8"	Teeth	De	Dp	Single				Double				Triple				
				Part No.	Type	d	H	Part No.	Type	d	H	Part No.	Type	d	H	
10B	13	73.0	66.32	10B-13HTL-1008	1	47	22	10B-2-13TL-1210	3	—	25.5	—	—	—	—	—
	14	78.0	71.34	10B-14TL-1108	1	52	22	—	—	—	—	—	—	—	—	—
	15	83.0	76.36	10B-15HTL-1210	1	60	25	10B-2-15TL-1210	3	—	25.5	10B-3-15TL-1210	5	—	42.1	—
	16	88.0	81.37	10B-16TL-1610	1	70	25	—	—	—	—	—	—	—	—	—
	17	93.0	86.36	10B-17HTL-1610	1	71	25	10B-2-17TL-1610	3	—	25.5	10B-3-17TL-1210	5	—	42.1	—
	18	98.3	91.42	10B-18TL-1610	1	75	25	—	—	—	—	—	—	—	—	—
	19	103.3	96.45	10B-19HTL-1610	1	75	25	10B-2-19TL-1610	3	—	25.5	10B-3-19TL-1615	5	—	42.1	—
	20	108.4	101.49	10B-20TL-1610	1	75	25	10B-2-20TL-1610	3	—	25.5	—	—	—	—	—
	21	113.4	106.52	10B-21HTL-1610	1	76	25	10B-2-21TL-1610	3	—	25.5	10B-3-21TL-1615	5	—	42.1	—
	22	118.0	111.25	10B-22TL-1610	1	76	25	10B-2-22TL-1610	3	—	25.5	—	—	—	—	—
	23	123.4	116.58	10B-23HTL-1610	1	76	25	10B-2-23TL-1610	3	—	25.5	10B-3-23TL-2012	5	—	42.1	—
	24	128.3	121.62	10B-24TL-2012	1	90	32	—	—	—	—	—	—	—	—	—
	25	134.0	126.66	10B-25HTL-2012	1	90	32	10B-2-25TL-2012	2	90	32.0	10B-3-25TL-2517	4	105	45.0	—
	26	139.0	131.70	10B-26TL-2012	1	90	32	—	—	—	—	—	—	—	—	—
	27	144.0	136.75	10B-27HTL-2012	1	90	32	10B-2-27TL-2012	2	90	32.0	10B-3-27TL-2517	4	110	45.0	—
	28	148.7	141.78	10B-28TL-2012	1	90	32	—	—	—	—	—	—	—	—	—
	30	158.8	151.87	10B-30HTL-2012	1	90	32	10B-2-30TL-2012	2	90	32.0	10B-3-30TL-2517	4	120	45.0	—
	38	199.2	192.24	10B-38TL-2012	1	100	32	10B-2-38TL-2517	2	108	45.0	—	—	—	—	—
	45	235.0	227.58	10B-45TL-2012	1	100	32	—	—	—	—	—	—	—	—	—
	57	296.0	288.18	10B-57TL-2012	1	100	32	—	—	—	—	—	—	—	—	—
	76	392.1	384.16	10B-76TL-2012	1	100	32	—	—	—	—	—	—	—	—	—
95	488.5	480.14	10B-95TL-2517	1	110	45	—	—	—	—	—	—	—	—	—	
114	584.1	576.13	10B-114TL-2517	1	110	45	—	—	—	—	—	—	—	—	—	

Note: Shaded items with "H" in Part No. indicates Hardened Teeth.

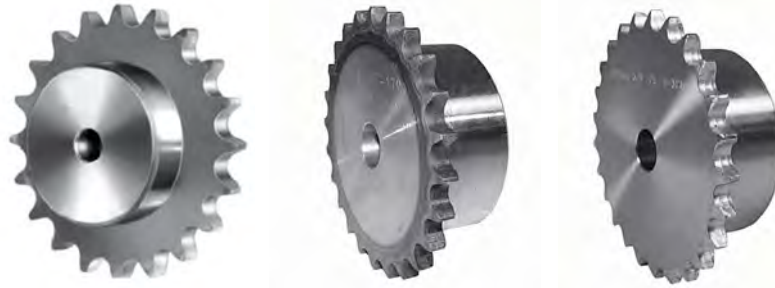
# Metric Sprockets

## Standard, Hardened Teeth and Stainless Steel



ISO 10B Hub Type B  
DIN 8187/ISO R 606

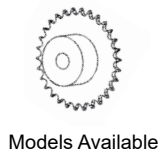
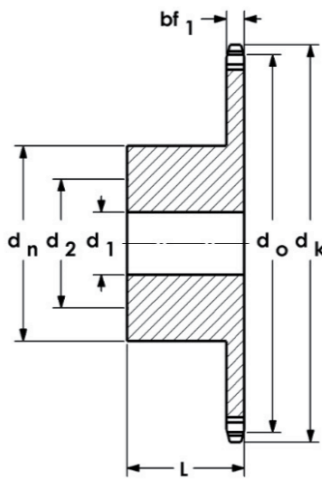
Chain Size: 10B-1 (5/8" x 3/8")  
Pitch: 15.875 mm  
Roller Width: 9.65 mm  
Roller Dia.: 10.16 mm  
Spkt. Width: 9.1 mm (bf<sub>1</sub>)  
Material: Standard Steel C45  
Material: Stainless Steel 304L



Standard

Hardened Teeth

Stainless Steel



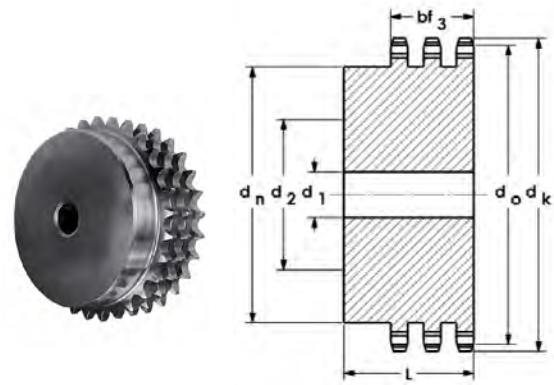
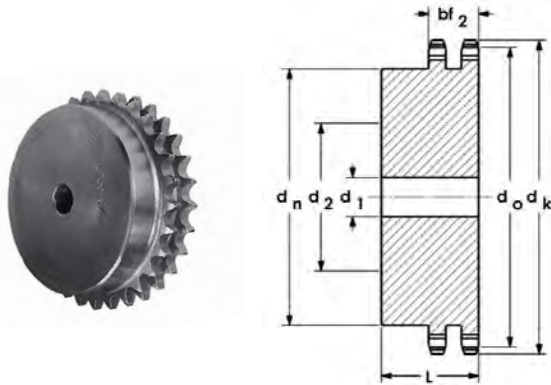
Part No. Standard	Part No. Hardened Teeth	Part No. Stainless Steel	Teeth	d <sub>o</sub> mm	d <sub>k</sub> mm	d <sub>n</sub> mm	d <sub>1</sub> mm	d <sub>2</sub> mm	L mm	Wt. kg
10B-8B	—	—	8	41.48	47.0	25	10	16	25	0.23
10B-9B	—	—	9	46.42	52.6	30	10	18	25	0.25
10B-10B	—	—	10	51.37	57.5	35	10	20	25	0.27
10B-11B	—	—	11	56.34	63.0	37	12	23	30	0.30
10B-12B	10B-12BH	10B-12BSS	12	61.34	68.0	42	12	26	30	0.35
10B-13B	10B-13BH	10B-13BSS	13	66.32	73.0	47	12	29	30	0.47
10B-14B	10B-14BH	10B-14BSS	14	71.34	78.0	52	12	32	30	0.55
10B-15B	10B-15BH	10B-15BSS	15	76.36	83.0	57	12	35	30	0.65
10B-16B	10B-16BH	10B-16BSS	16	81.37	88.0	60	12	38	30	0.77
10B-17B	10B-17BH	10B-17BSS	17	86.39	93.0	60	12	38	30	0.80
10B-18B	10B-18BH	10B-18BSS	18	91.42	98.3	70	14	44	30	1.03
10B-19B	10B-19BH	10B-19BSS	19	96.45	103.3	70	14	44	30	1.17
10B-20B	10B-20BH	10B-20BSS	20	101.49	108.4	75	14	47	30	1.22
10B-21B	10B-21BH	10B-21BSS	21	106.52	113.4	75	16	47	30	1.30
10B-22B	10B-22BH	10B-22BSS	22	111.55	118.0	80	16	50	30	1.41
10B-23B	10B-23BH	10B-23BSS	23	116.58	123.4	80	16	50	30	1.47
10B-24B	10B-24BH	10B-24BSS	24	121.62	128.3	80	16	50	30	1.53
10B-25B	10B-25BH	10B-25BSS	25	126.66	134.0	80	16	50	30	1.60
10B-26B	—	—	26	131.70	139.0	85	20	53	35	1.97
10B-27B	—	—	27	136.75	144.0	85	20	53	35	2.05
10B-28B	—	—	28	141.78	148.7	90	20	56	35	2.30
10B-29B	—	—	29	146.83	153.8	90	20	56	35	2.35
10B-30B	10B-30BH	10B-30BSS	30	151.87	158.8	90	20	56	35	2.43
10B-31B	—	—	31	156.92	163.9	95	20	60	35	2.63
10B-32B	—	—	32	161.95	168.9	95	20	60	35	2.75
10B-33B	—	—	33	167.00	174.5	95	20	60	35	2.85
10B-34B	—	—	34	172.05	179.0	95	20	60	35	3.00
10B-35B	—	—	35	177.10	184.1	95	20	60	35	3.05
10B-36B	—	—	36	182.15	189.1	100	20	63	35	3.15
10B-37B	—	—	37	187.20	194.2	100	20	63	35	3.40
10B-38B	—	—	38	192.24	199.2	100	20	63	35	3.48
10B-39B	—	—	39	197.29	204.2	100	20	63	35	3.60
10B-40B	—	—	40	202.34	209.3	100	20	63	35	3.71

**Note:** All sizes can be Induction Hardened. Finish Bore and Keyway available on request. Other Stainless sizes available on request.

# Metric Sprockets



## ISO 10B-2 and 10B-3 Hub Type B



Chain Size: 10B-2 (5/8" x 3/8")

Spkt Width: 25.5mm (bf<sub>2</sub>)

Part No.	Teeth	d <sub>o</sub> mm	d <sub>k</sub> mm	d <sub>n</sub> mm	d <sub>1</sub> mm	d <sub>2</sub> <sup>*</sup> mm	L mm	Wt. kg
10B-2-8B	8	41.48	47.0	25	12	16	40	0.21
10B-2-9B	9	46.42	52.6	30	12	18	40	0.27
10B-2-10B	10	51.37	57.5	35	12	20	40	0.35
10B-2-11B	11	56.34	63.0	39	14	23	40	0.45
10B-2-12B	12	61.34	68.0	44	14	26	40	0.55
10B-2-13B	13	66.32	73.0	49	14	30	40	0.68
10B-2-14B	14	71.34	78.0	54	14	34	40	0.84
10B-2-15B	15	76.36	83.0	59	14	37	40	0.95
10B-2-16B	16	81.37	88.0	64	16	40	45	1.25
10B-2-17B	17	86.39	93.0	69	16	43	45	1.45
10B-2-18B	18	91.42	98.3	74	16	46	45	1.65
10B-2-19B	19	96.45	103.3	79	16	49	45	1.90
10B-2-20B	20	101.49	108.4	84	16	52	45	2.10
10B-2-21B	21	106.52	113.4	85	16	53	45	2.27
10B-2-22B	22	111.55	118.0	90	16	46	45	2.58
10B-2-23B	23	116.58	123.4	95	16	60	45	2.80
10B-2-24B	24	121.62	128.3	100	16	63	45	3.12
10B-2-25B	25	126.66	134.0	105	16	66	45	3.40
10B-2-26B	26	131.70	139.0	110	20	70	45	3.70
10B-2-27B	27	136.75	144.0	110	20	70	45	3.90
10B-2-28B	28	141.78	148.7	115	20	73	45	4.25
10B-2-29B	29	146.83	153.8	115	20	73	45	4.50
10B-2-30B	30	151.87	158.8	120	20	76	45	4.85
10B-2-31B	31	156.92	163.9	120	20	76	45	4.95
10B-2-32B	32	161.95	168.9	120	20	76	45	5.10
10B-2-33B	33	167.00	174.5	120	20	76	45	5.20
10B-2-34B	34	172.05	179.0	120	20	76	45	5.30
10B-2-35B	35	177.10	184.1	120	20	76	45	5.45
10B-2-36B	36	182.15	189.1	120	20	76	45	5.60
10B-2-37B	37	187.20	194.2	120	20	76	45	6.30
10B-2-38B	38	192.24	199.2	120	20	76	45	7.00
10B-2-39B	39	197.29	204.2	120	20	76	45	7.30
10B-2-40B	40	202.34	209.3	120	20	76	45	7.52

Chain Size: 10B-3 (5/8" x 3/8")

Spkt Width: 42.1mm (bf<sub>3</sub>)

Part No.	Teeth	d <sub>o</sub> mm	d <sub>k</sub> mm	d <sub>n</sub> mm	d <sub>1</sub> mm	d <sub>2</sub> <sup>*</sup> mm	L mm	Wt. kg
10B-3-8B	8	41.48	47.0	25	12	16	55	0.28
10B-3-9B	9	46.42	52.6	30	12	18	55	0.38
10B-3-10B	10	51.37	57.5	35	16	20	55	0.50
10B-3-11B	11	56.34	63.0	39	16	23	55	0.62
10B-3-12B	12	61.34	68.0	44	16	26	55	0.77
10B-3-13B	13	66.32	73.0	49	16	30	55	0.97
10B-3-14B	14	71.34	78.0	54	16	34	55	1.16
10B-3-15B	15	76.36	83.0	59	16	37	55	1.35
10B-3-16B	16	81.37	88.0	64	16	40	60	1.65
10B-3-17B	17	86.39	93.0	69	16	43	60	1.96
10B-3-18B	18	91.42	98.3	74	16	46	60	2.25
10B-3-19B	19	96.45	103.3	79	16	49	60	2.50
10B-3-20B	20	101.49	108.4	84	16	52	60	2.90
10B-3-21B	21	106.52	113.4	85	20	53	60	3.10
10B-3-22B	22	111.55	118.0	90	20	46	60	3.44
10B-3-23B	23	116.58	123.4	95	20	60	60	4.05
10B-3-24B	24	121.62	128.3	100	20	63	60	4.33
10B-3-25B	25	126.66	134.0	105	20	66	60	4.60
10B-3-26B	26	131.70	139.0	110	20	70	45	5.00
10B-3-27B	27	136.75	144.0	110	20	70	60	5.40
10B-3-28B	28	141.78	148.7	115	20	73	60	5.80
10B-3-29B	29	146.83	153.8	115	20	73	60	6.18
10B-3-30B	30	151.87	158.8	120	20	76	60	6.69
10B-3-31B	31	156.92	163.9	120	20	76	60	7.20
10B-3-32B	32	161.95	168.9	120	20	76	60	7.50
10B-3-33B	33	167.00	174.5	120	20	76	60	8.00
10B-3-34B	34	172.05	179.0	120	20	76	60	8.57
10B-3-35B	35	177.10	184.1	120	20	76	60	8.80
10B-3-36B	36	182.15	189.1	120	25	76	60	9.30
10B-3-37B	37	187.20	194.2	120	25	76	60	9.78
10B-3-38B	38	192.24	199.2	120	25	76	60	9.90
10B-3-39B	39	197.29	204.2	120	25	76	60	10.30
10B-3-40B	40	202.34	209.3	120	25	76	60	10.80



# Metric Sprockets



## ISO 10B Plate Type A

DIN 8187/ISO R 606

Chain Size: 10B-1 (5/8" x 3/8")

Pitch: 15.875 mm

Roller Width: 9.65 mm

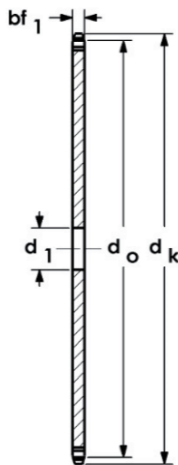
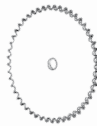
Roller Dia.: 10.16 mm

Spkt. Width: 9.1 mm (bf<sub>1</sub>)

Material: Steel C45



Models Available



Note:  
Double and triple sprockets including stainless steel available on request.

Part No.	Teeth	d <sub>o</sub> mm	d <sub>k</sub> mm	d <sub>1</sub> mm	Wt. kg
10B-8A	8	41.48	47.0	10	0.10
10B-9A	9	46.42	52.6	10	0.10
10B-10A	10	51.37	57.5	10	0.11
10B-11A	11	56.30	63	10	0.14
10B-12A	12	61.30	68	10	0.17
10B-13A	13	66.30	73	10	0.20
10B-14A	14	71.30	78	10	0.23
10B-15A	15	76.40	83	10	0.27
10B-16A	16	81.40	88	12	0.31
10B-17A	17	86.40	93	12	0.35
10B-18A	18	91.40	98	12	0.39
10B-19A	19	96.50	103	12	0.44
10B-20A	20	101.50	108	12	0.49
10B-21A	21	106.50	113	12	0.55
10B-22A	22	111.60	118	12	0.61
10B-23A	23	116.60	123	12	0.67
10B-24A	24	121.60	128	12	0.73
10B-25A	25	126.70	134	12	0.79
10B-26A	26	131.70	139	16	0.84
10B-27A	27	136.70	144	16	0.91
10B-28A	28	141.80	149	16	1.00
10B-29A	29	146.80	154	16	1.07
10B-30A	30	151.90	159	16	1.14
10B-31A	31	156.92	164	16	1.10
10B-32A	32	162.00	169	16	1.30
10B-33A	33	167.00	174	16	1.39
10B-34A	34	172.10	179	16	1.48
10B-35A	35	177.10	184	16	1.55
10B-36A	36	182.10	190	20	1.63
10B-37A	37	187.20	194	20	1.74
10B-38A	38	192.20	200	20	1.83
10B-39A	39	197.30	204	20	1.91
10B-40A	40	202.30	210	20	2.04
10B-42A	42	212.40	220	20	2.28
10B-43A	43	217.50	225	20	2.35
10B-44A	44	222.50	230	20	2.49
10B-45A	45	227.60	235	20	2.58
10B-46A	46	232.60	240	20	2.70
10B-47A	47	237.70	245	20	2.81
10B-48A	48	242.70	250	20	2.90
10B-49A	49	247.80	255	20	3.09
10B-50A	50	252.80	261	20	3.18
10B-54A	54	273.10	280.5	20	3.20
10B-57A	57	288.20	296	25	4.24
10B-60A	60	303.30	311	25	4.70
10B-65A	65	328.60	336.5	25	5.50
10B-70A	70	353.80	362	25	6.30
10B-76A	76	384.20	392	25	7.46
10B-80A	80	404.40	412	25	8.28
10B-90A	90	454.90	463	30	10.75
10B-95A	95	480.14	488.5	30	11.88

# Metric Sprockets

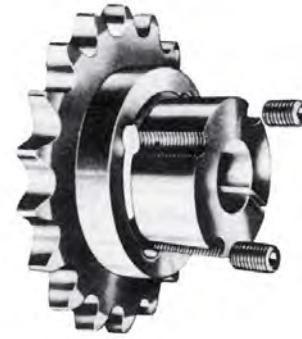
## Taper Lock Bushed Type TL

ISO 12B, DIN 8187 - ISO/R 606

Single, Double, Triple

Standard and Hardened Teeth

Material: Steel C45 E



Models Available

Drawing Dimensions	Sprocket Sizes
	12B
h1	11.1
h2	30.3
h3	49.8
L	10.8

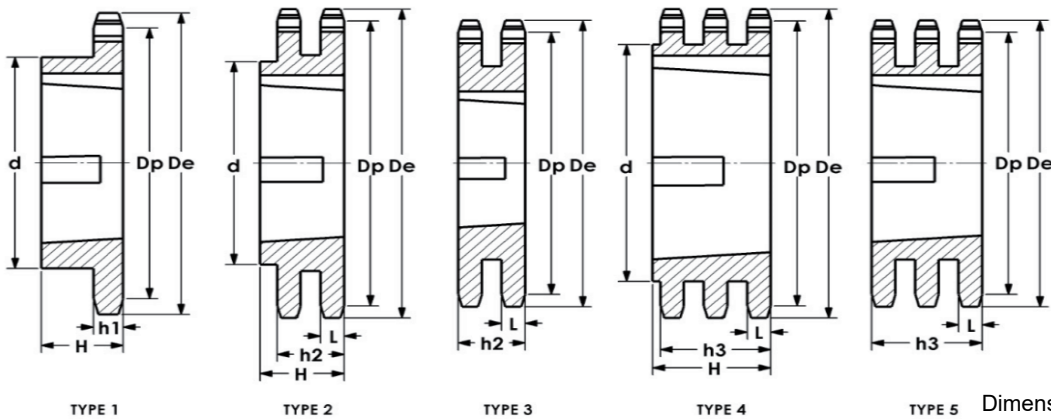
Part No: 12B-21HTL-2517

12B = Chain Size

21 = Number of Teeth

H = Hardened Teeth

TL-2517 = TL Bushing Size



Dimensions in mm

Chain Size 3/4" x 7/16"	Teeth	De	Dp	Single				Double				Triple					
				Part No.	Type	d	H	Part No.	Type	d	H	Part No.	Type	d	H		
12B	13	87.5	79.59	12B-13HTL-1210	1	60	25	—	—	—	—	—	—	—	—	—	—
	14	93.6	85.61	12B-14TL-1610	1	70	25	—	—	—	—	—	—	—	—	—	—
	15	99.8	91.63	12B-15HTL-1610	1	70	25	12B-2-15TL-1610	3	—	30.3	12B-3-15TL-1615	5	—	49.8	—	—
	16	105.5	97.65	12B-16TL-1610	1	75	25	12B-2-16TL-1610	3	—	30.3	—	—	—	—	—	—
	17	111.5	103.67	12B-17HTL-1610	1	76	25	12B-2-17TL-1610	3	—	30.3	12B-3-17TL-2012	5	—	49.8	—	—
	18	118.0	109.71	12B-18TL-2012	1	90	32	12B-2-18TL-2012	2	90	32	—	—	—	—	—	—
	19	124.2	115.75	12B-19HTL-2012	1	90	32	12B-2-19TL-2012	2	90	32	12B-3-19TL-2012	5	—	49.8	—	—
	20	129.7	121.78	12B-20TL-2012	1	90	32	12B-2-20TL-2517	2	108	45	—	—	—	—	—	—
	21	136.0	127.82	12B-21HTL-2517	1	102	45	12B-2-21TL-2517	2	108	45	12B-3-21TL-2517	5	—	49.8	—	—
	22	141.8	133.86	12B-22TL-2517	1	102	45	12B-2-22TL-2517	2	108	45	—	—	—	—	—	—
	23	149.0	139.90	12B-23HTL-2517	1	108	45	12B-2-23TL-2517	2	108	45	12B-3-23TL-2517	5	—	49.8	—	—
	24	153.9	145.94	12B-24TL-2517	1	108	45	12B-2-24TL-2517	2	108	45	—	—	—	—	—	—
	25	160.0	152.00	12B-25HTL-2517	1	108	45	12B-2-25TL-2517	2	108	45	12B-3-25TL-2517	5	—	49.8	—	—
	26	165.9	158.04	12B-26TL-2517	1	108	45	12B-2-26TL-2517	2	108	45	—	—	—	—	—	—
	27	172.3	164.00	12B-27HTL-2517	1	108	45	12B-2-27TL-2517	2	108	45	12B-3-27TL-3020	4	140	51	—	—
	28	178.0	170.13	12B-28TL-2517	1	108	45	12B-2-28TL-2517	2	108	45	—	—	—	—	—	—
	30	190.5	182.25	12B-30HTL-2517	1	108	45	12B-2-30TL-2517	2	108	45	12B-3-30TL-3020	4	140	51	—	—
	38	239.0	230.69	12B-38TL-2517	1	108	45	12B-2-38TL-3020	2	140	51	12B-3-38TL-3020	4	140	51	—	—
	45	282.5	273.10	12B-45TL-2517	1	108	45	12B-2-45TL-3020	2	140	51	12B-3-45TL-3020	4	140	51	—	—
	57	355.4	345.81	12B-57TL-2517	1	108	45	12B-2-57TL-3020	2	140	51	12B-3-57TL-3020	4	140	51	—	—
	76	469.9	460.99	12B-76TL-2517	1	108	45	12B-2-76TL-3020	2	140	51	12B-3-76TL-3020	4	140	51	—	—
95	585.1	576.17	12B-95TL-2517	1	108	45	12B-2-95TL3020	2	140	51	—	—	—	—	—	—	
114	700.6	691.36	12B-114TL-2525	1	108	64	—	—	—	—	—	—	—	—	—	—	

Note: Shaded items with "H" in Part No. indicates Hardened Teeth.

# Metric Sprockets

## Standard, Hardened Teeth and Stainless Steel

### ISO 12B Hub Type B

#### DIN 8187/ISO R 606

**Chain Size:** 12B-1 (3/4" x 7/16")  
**Pitch:** 19.05 mm  
**Roller Width:** 11.68 mm  
**Roller Dia.:** 12.07 mm  
**Spkt. Width:** 11.1 mm (bf<sub>1</sub>)  
**Material:** Standard Steel C45  
**Material:** Stainless Steel 304L



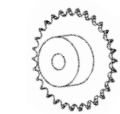
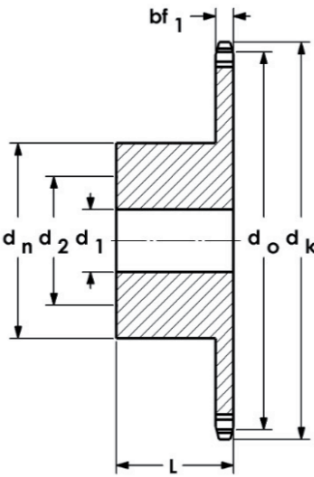
Standard



Hardened Teeth



Stainless Steel



Models Available

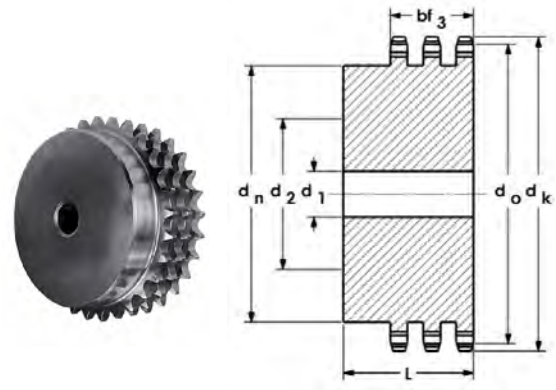
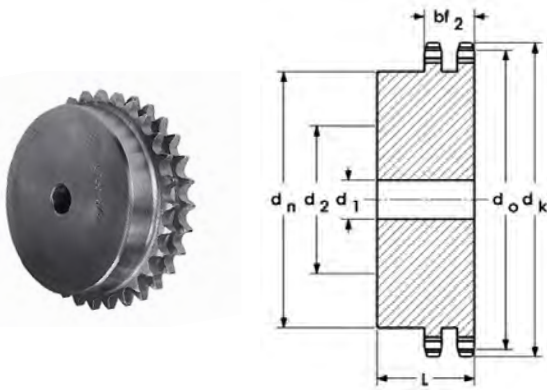
**Note:** All sizes can be Induction Hardened. Finish Bore and Key-way available on request. Other Stainless sizes available on request.

Part No. Standard	Part No. Hardened Teeth	Part No. Stainless Steel	Teeth	d <sub>o</sub> mm	d <sub>k</sub> mm	d <sub>n</sub> mm	d <sub>1</sub> mm	d <sub>2</sub> mm	L mm	Wt. kg
12B-8B	—	—	8	49.78	57.6	31	12	20	30	0.22
12B-9B	—	—	9	55.70	62.0	37	12	22	30	0.30
12B-10B	—	—	10	61.64	69.0	42	12	26	30	0.40
12B-11B	—	—	11	67.61	75.0	46	14	28	35	0.52
12B-12B	12B-12BH	12B-12BSS	12	73.60	81.5	52	14	32	35	0.67
12B-13B	12B-13BH	12B-13BSS	13	79.59	87.5	58	14	36	35	0.83
12B-14B	12B-14BH	12B-14BSS	14	85.61	93.6	64	14	41	35	1.00
12B-15B	12B-15BH	12B-15BSS	15	91.63	99.8	70	14	44	35	1.17
12B-16B	12B-16BH	12B-16BSS	16	97.65	105.5	75	16	47	35	1.36
12B-17B	12B-17BH	12B-17BSS	17	103.67	111.5	80	16	50	35	1.54
12B-18B	12B-18BH	12B-18BSS	18	109.71	118.0	80	16	50	35	1.65
12B-19B	12B-19BH	12B-19BSS	19	115.75	124.2	80	16	50	35	1.71
12B-20B	12B-20BH	12B-20BSS	20	121.78	129.7	80	16	50	35	1.82
12B-21B	12B-21BH	12B-21BSS	21	127.82	136.0	90	20	56	40	2.37
12B-22B	12B-22BH	12B-22BSS	22	133.86	141.8	90	20	56	40	2.45
12B-23B	12B-23BH	12B-23BSS	23	139.90	149.0	90	20	56	40	2.60
12B-24B	12B-24BH	12B-24BSS	24	145.94	153.9	90	20	56	40	2.73
12B-25B	12B-25BH	12B-25BSS	25	152.00	160.0	90	20	56	40	2.80
12B-26B	—	—	26	158.04	165.9	95	20	60	40	3.09
12B-27B	—	—	27	164.09	172.3	95	20	60	40	3.30
12B-28B	—	—	28	170.13	178.0	95	20	60	40	3.40
12B-29B	—	—	29	176.19	184.1	95	20	60	40	3.50
12B-30B	12B-30BH	12B-30BSS	30	182.25	190.5	95	20	60	40	3.65
12B-31B	—	—	31	188.31	196.3	100	20	63	40	3.85
12B-32B	—	—	32	194.35	203.3	100	20	63	40	4.00
12B-33B	—	—	33	200.40	209.3	100	20	63	40	4.10
12B-34B	—	—	34	206.46	214.6	100	20	63	40	4.35
12B-35B	—	—	35	212.52	221.0	100	20	63	40	4.60
12B-36B	—	—	36	218.58	226.8	100	20	63	40	4.85
12B-37B	—	—	37	224.64	232.9	100	20	63	40	4.95
12B-38B	—	—	38	230.69	239.0	100	20	63	40	5.10
12B-39B	—	—	39	236.75	245.1	100	20	63	40	5.27
12B-40B	—	—	40	242.81	251.3	100	20	63	40	5.50

# Metric Sprockets



## ISO 12B-2 and 12B-3 Hub Type B



Chain Size: 12B-2 (3/4" x 7/16")

Spkt Width: 30.3mm (bf<sub>2</sub>)

Part No.	Teeth	d <sub>o</sub> mm	d <sub>k</sub> mm	d <sub>n</sub> mm	d <sub>1</sub> mm	d <sub>2</sub> * mm	L mm	Wt. kg
12B-2-8B	8	49.78	57.6	31	12	20	45	0.32
12B-2-9B	9	55.70	62.0	37	12	22	45	0.45
12B-2-10B	10	61.64	69.0	42	12	26	45	0.65
12B-2-11B	11	67.61	75.0	47	16	29	50	0.80
12B-2-12B	12	73.60	81.5	53	16	32	50	1.03
12B-2-13B	13	79.59	87.5	59	16	36	50	1.25
12B-2-14B	14	85.61	93.6	65	16	40	50	1.50
12B-2-15B	15	91.63	99.8	71	16	44	50	1.78
12B-2-16B	16	97.65	105.5	77	20	48	50	2.05
12B-2-17B	17	103.67	111.5	83	20	51	50	2.40
12B-2-18B	18	109.71	118.0	89	20	54	50	2.70
12B-2-19B	19	115.75	124.2	95	20	60	50	3.10
12B-2-20B	20	121.78	129.7	100	20	63	50	3.43
12B-2-21B	21	127.82	136.0	100	20	63	50	3.70
12B-2-22B	22	133.86	141.8	100	20	63	50	3.40
12B-2-23B	23	139.90	149.0	110	20	70	50	4.55
12B-2-24B	24	145.94	153.9	110	20	70	50	4.85
12B-2-25B	25	152.00	160.0	120	20	76	50	5.45
12B-2-26B	26	158.04	165.9	120	20	76	50	5.74
12B-2-27B	27	164.09	172.3	120	20	76	50	6.15
12B-2-28B	28	170.13	178.0	120	20	76	50	6.45
12B-2-29B	29	176.19	184.1	120	20	76	50	6.83
12B-2-30B	30	182.25	190.5	120	20	76	50	7.20
12B-2-31B	31	188.31	196.3	130	20	80	50	7.25
12B-2-32B	32	194.35	203.3	130	20	80	50	7.30
12B-2-33B	33	200.40	209.3	130	20	80	50	8.15
12B-2-34B	34	206.46	214.6	130	20	80	50	8.40
12B-2-35B	35	212.52	221.0	130	20	80	50	8.75
12B-2-36B	36	218.58	226.8	130	25	80	50	9.10
12B-2-37B	37	224.64	232.9	130	25	80	50	9.70
12B-2-38B	38	230.69	239.0	130	25	80	50	10.30
12B-2-39B	39	236.75	245.1	130	25	80	50	10.35
12B-2-40B	40	242.81	251.3	130	25	80	50	10.40

Chain Size: 12B-3 (3/4" x 7/16")

Spkt Width: 49.8mm (bf<sub>3</sub>)

Part No.	Teeth	d <sub>o</sub> mm	d <sub>k</sub> mm	d <sub>n</sub> mm	d <sub>1</sub> mm	d <sub>2</sub> * mm	L mm	Wt. kg
12B-3-8B	8	49.78	57.6	31	16	20	65	0.50
12B-3-9B	9	55.70	62.0	37	16	22	65	0.50
12B-3-10B	10	61.64	69.0	42	16	26	65	0.90
12B-3-11B	11	67.61	75.0	47	20	29	70	1.10
12B-3-12B	12	73.60	81.5	53	20	32	70	1.37
12B-3-13B	13	79.59	87.5	59	20	36	70	1.75
12B-3-14B	14	85.61	93.6	65	20	40	70	2.11
12B-3-15B	15	91.63	99.8	71	20	44	70	2.47
12B-3-16B	16	97.65	105.5	77	20	48	70	2.90
12B-3-17B	17	103.67	111.5	83	20	51	70	3.26
12B-3-18B	18	109.71	118.0	89	20	54	70	3.81
12B-3-19B	19	115.75	124.2	95	20	60	70	4.35
12B-3-20B	20	121.78	129.7	100	20	63	70	4.85
12B-3-21B	21	127.82	136.0	100	20	63	70	5.25
12B-3-22B	22	133.86	141.8	100	20	63	70	5.88
12B-3-23B	23	139.90	149.0	110	20	70	70	6.50
12B-3-24B	24	145.94	153.9	110	20	70	70	6.93
12B-3-25B	25	152.00	160.0	120	20	76	70	7.65
12B-3-26B	26	158.04	165.9	120	20	76	70	8.20
12B-3-27B	27	164.09	172.3	120	20	76	70	8.85
12B-3-28B	28	170.13	178.0	120	20	76	70	9.30
12B-3-29B	29	176.19	184.1	120	20	76	70	9.95
12B-3-30B	30	182.25	190.5	120	20	76	70	10.60
12B-3-31B	31	188.31	196.3	130	25	80	70	11.40
12B-3-32B	32	194.35	203.3	130	25	80	70	15.40
12B-3-33B	33	200.40	209.3	130	25	80	70	12.50
12B-3-34B	34	206.46	214.6	130	25	80	70	13.50
12B-3-35B	35	212.52	221.0	130	25	80	70	14.50
12B-3-36B	36	218.58	226.8	130	25	80	70	15.00
12B-3-37B	37	224.64	232.9	130	25	80	70	15.50
12B-3-38B	38	230.69	239.0	130	25	80	70	16.15
12B-3-39B	39	236.75	245.1	130	25	80	70	17.20
12B-3-40B	40	242.81	251.3	130	25	80	70	18.20

# Metric Sprockets



## ISO 12B Plate Type A DIN 8187/ISO R 606

**Chain Size: 12B-1 (3/4" x 7/16")**

Pitch: 19.05 mm

Roller Width: 11.68 mm

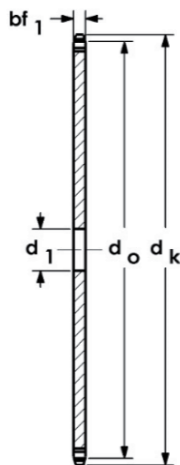
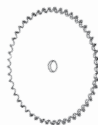
Roller Dia.: 12.07 mm

Spkt. Width: 11.1 mm (bf<sub>1</sub>)

Material: Steel C45



Models Available



Note: Double and triple sprockets including stainless steel available on request.

Part No.	Teeth	d <sub>o</sub> mm	d <sub>k</sub> mm	d <sub>1</sub> mm	Wt. kg
12B-8A	8	49.8	57.6	12	0.15
12B-9A	9	55.7	62.0	12	0.15
12B-10A	10	61.6	69	12	0.20
12B-11A	11	67.6	75	14	0.24
12B-12A	12	73.6	82	14	0.29
12B-13A	13	79.6	88	14	0.35
12B-14A	14	85.6	94	14	0.41
12B-15A	15	91.6	100	14	0.47
12B-16A	16	97.6	105	14	0.54
12B-17A	17	103.7	112	14	0.62
12B-18A	18	109.7	118	14	0.70
12B-19A	19	115.7	124	14	0.78
12B-20A	20	121.8	130	14	0.87
12B-21A	21	127.8	136	16	0.95
12B-22A	22	133.9	142	16	1.05
12B-23A	23	139.9	149	16	1.15
12B-24A	24	145.9	154	16	1.26
12B-25A	25	152.0	160	16	1.37
12B-26A	26	158.0	166	16	1.50
12B-27A	27	164.1	173	16	1.64
12B-28A	28	170.1	179	16	1.78
12B-29A	29	176.2	184	16	1.88
12B-30A	30	182.3	191	16	1.99
12B-31A	31	188.3	196	20	2.12
12B-32A	32	194.4	204	20	2.26
12B-33A	33	200.4	209	20	2.38
12B-34A	34	206.5	215	20	2.56
12B-35A	35	212.5	221	20	2.70
12B-36A	36	218.6	227	20	2.84
12B-37A	37	224.6	233	20	3.38
12B-38A	38	230.7	239	20	3.21
12B-39A	39	236.7	245	20	3.40
12B-40A	40	242.8	252	20	3.58
12B-41A	41	248.8	257.5	25	3.72
12B-42A	42	254.9	264	25	3.93
12B-43A	43	261.0	270.5	25	3.98
12B-44A	44	267.0	276.5	25	4.40
12B-45A	45	273.1	283	25	4.60
12B-46A	46	279.2	288	25	4.93
12B-48A	48	291.3	301	25	5.13
12B-49A	49	297.3	306	25	5.40
12B-50A	50	303.4	313	25	5.64
12B-54A	54	327.6	337	25	6.62
12B-57A	57	345.8	355	25	7.56
12B-60A	60	364.0	373	25	8.20
12B-65A	65	394.3	404	25	9.60
12B-70A	70	424.6	434	30	11.25
12B-76A	76	461.0	471	30	13.08
12B-80A	80	485.2	494	30	15.19
12B-90A	90	545.8	555	30	18.89
12B-95A	95	576.2	585	30	21.12

# Metric Sprockets

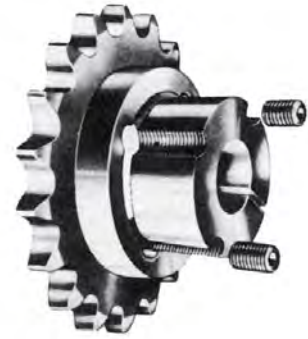
## Taper Bushed Type TL

ISO 16B, DIN 8187 - ISO/R 606

Single, Double, Triple

Standard and Hardened Teeth

Material: C45 E



Models Available

Drawing Dimensions	Sprocket Sizes
	16B
h1	16.2
h2	47.7
h3	79.6
L	15.8

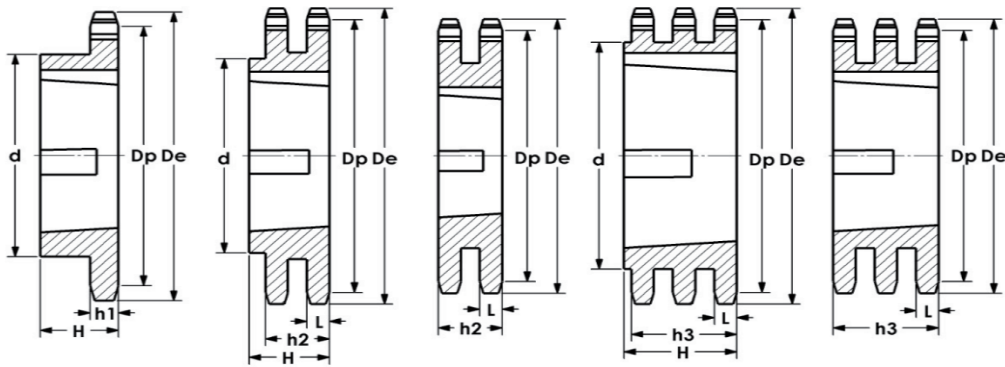
Part No: 16B-21HTL-2517

16B = Chain Size

21 = Number of Teeth

H = Hardened Teeth

TL-2517 = TL Bushing Size



TYPE 1

TYPE 2

TYPE 3

TYPE 4

TYPE 5

Dimensions in mm

Chain Size 1"x 17.02mm	Teeth	De	Dp	Single				Double				Triple				
				Part No.	Type	d	H	Part No.	Type	d	H	Part No.	Type	d	H	
16B	13	117.0	106.12	16B-13TL-1610	1	73	25	16B-2-13TL-2012	3	—	47.7	—	—	—	—	—
	14	125.0	114.15	16B-14TL-1610	1	76	25	—	—	—	—	—	—	—	—	—
	15	133.0	122.17	16B-15HTL-1610	1	76	25	16B-2-15TL-2012	3	—	47.7	—	—	—	—	—
	16	141.0	130.20	16B-16TL-2012	1	90	32	—	—	—	—	—	—	—	—	—
	17	149.0	138.22	16B-17HTL-2012	1	90	32	16B-2-17TL-2012	3	—	47.7	16B-3-17TL-2517	5	—	79.6	—
	18	157.0	146.28	16B-18TL-2517	1	108	45	—	—	—	—	—	—	—	—	—
	19	165.2	154.33	16B-19HTL-2517	1	108	45	16B-2-19TL-2517	3	—	47.7	16B-3-19TL-3020	5	—	79.6	—
	20	173.2	162.38	16B-20TL-2517	1	108	45	—	—	—	—	—	—	—	—	—
	21	181.2	170.43	16B-21HTL-2517	1	110	45	16B-2-21TL-2517	2	140	51	16B-3-21TL-3030	5	—	79.6	—
	22	184.3	178.48	16B-22TL-2517	1	110	45	—	—	—	—	—	—	—	—	—
	23	197.5	186.53	16B-23HTL-2517	1	110	45	16B-2-23TL-3020	2	140	51	16B-3-23TL-3525	5	—	79.6	—
	24	205.5	194.59	16B-24TL-2517	1	110	45	—	—	—	—	—	—	—	—	—
	25	213.5	202.66	16B-25HTL-2517	1	110	45	16B-2-25TL-3020	2	140	51	16B-3-25TL-3525	5	—	79.6	—
	26	221.6	210.72	16B-26TL-2517	1	110	45	—	—	—	—	—	—	—	—	—
	27	229.6	218.79	16B-27HTL-2517	1	110	45	16B-2-27TL-3020	2	140	51	16B-3-27TL-3525	5	—	79.6	—
	28	237.7	226.85	16B-28TL-2517	1	110	45	—	—	—	—	—	—	—	—	—
	30	254.0	243.00	16B-30HTL-3020	1	140	51	16B-2-30TL-3020	2	140	51	16B-3-30TL-3525	5	—	79.6	—
	38	320.7	307.59	16B-38TL-3020	1	140	51	16B-2-38TL-3020	2	140	51	16B-3-38TL-3525	5	—	79.6	—
	45	377.1	364.13	16B-45TL-3020	1	140	51	16B-2-45TL-3020	2	140	51	16B-3-45TL-4030	4	216	79.6	—
	57	474.0	461.07	16B-57TL-3020	1	140	51	16B-2-57TL-3525	2	175	65	16B-3-57TL-4030	4	216	79.6	—
76	627.0	614.65	16B-76TL-3020	1	140	51	16B-2-76TL-3525	2	175	65	16B-3-76TL-4030	4	216	79.6	—	
95	781.1	768.22	16B-95TL-3020	1	140	51	16B-2-95TL-3525	2	215	65	16B-3-95TL-4030	4	240	79.6	—	
114	943.3	921.81	16B-114TL-3030	1	140	76	16B-2-114TL-4040	2	215	102	—	—	—	—	—	

Note: Shaded items with "H" in Part No. indicates Hardened Teeth.

# Metric Sprockets

## Standard, Hardened Teeth and Stainless Steel

### ISO 16B Hub Type B

#### Din 8187/ISO R 606



**Chain Size:** 16B-1 (1" x 17.02 mm)  
**Pitch:** 25.4 mm  
**Roller Width:** 17.02 mm  
**Roller Dia.:** 15.88 mm  
**Spkt. Width:** 16.2 mm (bf<sub>1</sub>)  
**Material:** Standard Steel C45  
**Material:** Stainless Steel 304L



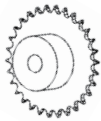
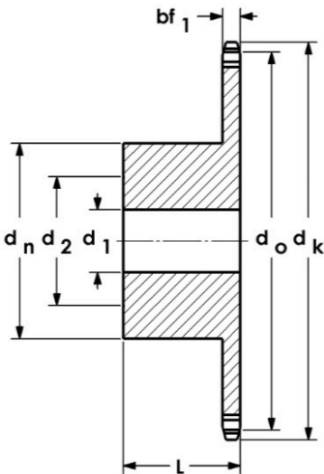
Standard



Hardened Teeth



Stainless Steel



Models Available

**Note:** All sizes can be Induction Hardened. Finish Bore and Key-way available on request. Other Stainless sizes available on request.

Part No. Standard	Part No. Hardened Teeth	Part No. Stainless Steel	Teeth	d <sub>o</sub> mm	d <sub>k</sub> mm	d <sub>n</sub> mm	d <sub>1</sub> mm	d <sub>2</sub> mm	L mm	Wt. kg
16B-8B	—	—	8	66.37	77.0	42	16	26	35	0.50
16B-9B	—	—	9	74.27	85.0	50	16	31	35	0.70
16B-10B	—	—	10	82.19	93.0	55	16	35	35	0.85
16B-11B	—	—	11	90.14	99.5	61	16	40	40	1.16
16B-12B	16B-12BH	16B-12BSS	12	98.14	109.0	69	16	43	40	1.50
16B-13B	16B-13BH	16B-13BSS	13	106.12	117.0	78	16	49	40	1.81
16B-14B	16B-14BH	16B-14BSS	14	114.15	125.0	84	16	52	40	2.10
16B-15B	16B-15BH	16B-15BSS	15	122.17	133.0	92	16	58	40	2.53
16B-16B	16B-16BH	16B-16BSS	16	130.20	141.0	100	20	63	45	3.20
16B-17B	16B-17BH	16B-17BSS	17	138.22	149.0	100	20	63	45	3.42
16B-18B	16B-18BH	16B-18BSS	18	146.28	157.0	100	20	63	45	3.62
16B-19B	16B-19BH	16B-19BSS	19	154.33	165.2	100	20	63	45	3.80
16B-20B	16B-20BH	16B-20BSS	20	162.38	173.2	100	20	63	45	4.15
16B-21B	16B-21BH	16B-21BSS	21	170.43	181.2	110	20	70	50	5.10
16B-22B	16B-22BH	16B-22BSS	22	178.48	189.3	110	20	70	50	5.40
16B-23B	16B-23BH	16B-23BSS	23	186.53	197.5	110	20	70	50	5.65
16B-24B	16B-24BH	16B-24BSS	24	194.59	205.5	110	20	70	50	5.90
16B-25B	16B-25BH	16B-25BSS	25	202.66	213.5	110	20	70	50	6.30
16B-26B	—	—	26	210.72	221.6	120	20	76	50	7.00
16B-27B	—	—	27	218.79	229.6	120	20	76	50	7.35
16B-28B	—	—	28	226.85	237.7	120	20	76	50	7.70
16B-29B	—	—	29	234.92	245.8	120	20	76	50	8.10
16B-30B	16B-30BH	16B-30BSS	30	243.00	254.0	120	25	76	50	8.40
16B-31B	—	—	31	251.08	262.0	120	25	76	50	9.50
16B-32B	—	—	32	259.13	270.0	120	25	76	50	9.09
16B-33B	—	—	33	267.21	278.5	120	25	76	50	9.50
16B-34B	—	—	34	275.28	287.0	120	25	76	50	11.40
16B-35B	—	—	35	283.36	296.2	120	25	76	50	11.80
16B-36B	—	—	36	291.44	304.6	120	25	76	50	12.10
16B-37B	—	—	37	299.51	312.6	120	25	76	50	12.40
16B-38B	—	—	38	307.59	320.7	120	25	76	50	13.15
16B-39B	—	—	39	315.67	328.8	120	25	76	50	13.80
16B-40B	—	—	40	323.73	336.9	120	25	76	50	14.05

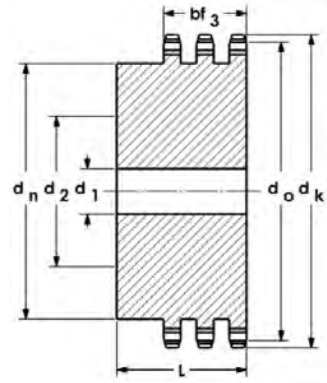
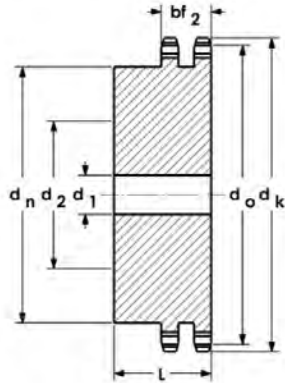
# Metric Sprockets



## ISO 16B-2 and 16B-3 Hub Type B



Models Available



Chain Size: 16B-2 (1" x 17.02mm)  
Spkt Width: 47.7mm (bf<sub>2</sub>)

Part No.	Teeth	d <sub>o</sub> mm	d <sub>k</sub> mm	d <sub>n</sub> mm	d <sub>1</sub> mm	d <sub>2</sub> * mm	L mm	Wt. kg
16B-2-8B	8	66.37	77.0	42	16	26	65	0.90
16B-2-9B	9	74.27	85.0	50	16	31	65	1.20
16B-2-10B	10	82.19	93.0	56	16	35	65	1.63
16B-2-11B	11	90.14	99.5	64	20	40	70	2.10
16B-2-12B	12	98.14	109.0	72	20	45	70	2.68
16B-2-13B	13	106.12	117.0	80	20	50	70	3.20
16B-2-14B	14	114.15	125.0	88	20	53	70	3.89
16B-2-15B	15	122.17	133.0	96	20	61	70	4.50
16B-2-16B	16	130.20	141.0	104	20	65	70	5.30
16B-2-17B	17	138.22	149.0	112	20	72	70	5.80
16B-2-18B	18	146.28	157.0	120	20	76	70	6.75
16B-2-19B	19	154.33	165.2	128	20	78	70	8.00
16B-2-20B	20	162.38	173.2	130	20	80	70	8.50
16B-2-21B	21	170.43	181.2	130	25	80	70	9.50
16B-2-22B	22	178.48	189.3	130	25	80	70	9.80
16B-2-23B	23	186.53	197.5	130	25	80	70	10.05
16B-2-24B	24	194.59	205.5	130	25	80	70	11.50
16B-2-25B	25	202.66	213.5	130	25	80	70	11.70
16B-2-26B	26	210.72	221.6	130	25	80	70	11.90
16B-2-27B	27	218.79	229.6	130	25	80	70	12.15
16B-2-28B	28	226.85	237.7	130	25	80	70	12.30
16B-2-29B	29	234.92	245.8	130	25	80	70	16.50
16B-2-30B	30	243.00	254.0	130	25	80	70	17.50
16B-2-31B	31	251.08	262.0	140	25	85	70	19.00
16B-2-32B	32	259.13	270.0	140	25	85	70	20.00
16B-2-33B	33	267.21	278.5	140	25	85	70	21.00
16B-2-34B	34	275.28	287.0	140	25	85	70	23.00
16B-2-35B	35	283.36	296.2	140	25	85	70	24.50
16B-2-36B	36	291.44	304.6	140	25	85	70	25.00
16B-2-37B	37	299.51	312.6	140	25	85	70	26.60
16B-2-38B	38	307.59	320.7	140	25	85	70	27.50
16B-2-39B	39	315.67	328.8	140	25	85	70	30.00
16B-2-40B	40	323.73	366.9	140	25	85	70	30.70

Chain Size: 16B-3 (1" x 17.02mm)  
Spkt Width: 79.6mm (bf<sub>3</sub>)

Part No.	Teeth	d <sub>o</sub> mm	d <sub>k</sub> mm	d <sub>n</sub> mm	d <sub>1</sub> mm	d <sub>2</sub> * mm	L mm	Wt. kg
16B-3-8B	8	66.37	77.0	42	20	26	95	1.50
16B-3-9B	9	74.27	85.0	50	20	31	95	1.85
16B-3-10B	10	82.19	93.0	56	20	35	95	2.20
16B-3-11B	11	90.14	99.5	64	25	40	100	2.80
16B-3-12B	12	98.14	109.0	72	25	46	100	3.15
16B-3-13B	13	106.12	117.0	80	25	50	100	4.50
16B-3-14B	14	114.15	125.0	88	25	53	100	5.40
16B-3-15B	15	122.17	133.0	96	25	60	100	6.45
16B-3-16B	16	130.20	141.0	104	30	65	100	7.40
16B-3-17B	17	138.22	149.0	112	30	70	100	8.50
16B-3-18B	18	146.28	157.0	120	30	76	100	9.65
16B-3-19B	19	154.33	165.2	128	30	78	100	11.00
16B-3-20B	20	162.38	173.2	130	30	80	100	11.55
16B-3-21B	21	170.43	181.2	130	30	80	100	12.15
16B-3-22B	22	178.48	189.3	130	30	80	100	12.70
16B-3-23B	23	186.53	197.5	130	30	80	100	13.20
16B-3-24B	24	194.59	205.5	130	30	80	100	13.70
16B-3-25B	25	202.66	213.5	130	30	80	100	17.40
16B-3-26B	26	210.72	221.6	130	30	80	100	20.00
16B-3-27B	27	218.79	229.6	130	30	80	100	21.60
16B-3-28B	28	226.85	237.7	130	30	80	100	23.80
16B-3-29B	29	234.92	245.8	130	30	80	100	25.00
16B-3-30B	30	243.00	254.0	130	30	80	100	28.00
16B-3-31B	31	251.08	262.0	140	30	85	100	30.00
16B-3-32B	32	259.13	270.0	140	30	85	100	31.00
16B-3-33B	33	267.21	278.5	140	30	85	100	32.00
16B-3-34B	34	275.28	287.0	140	30	85	100	35.00
16B-3-35B	35	283.36	296.2	140	30	85	100	38.00
16B-3-36B	36	291.44	304.6	140	30	85	100	39.00
16B-3-37B	37	299.51	312.6	140	30	85	100	21.95
16B-3-38B	38	307.59	320.7	140	30	85	100	43.80
16B-3-39B	39	315.67	328.8	140	30	85	100	47.00
16B-3-40B	40	323.73	366.9	140	30	85	100	48.82



# Metric Sprockets



## ISO 16B Plate Type A DIN 8187/ISO R 606

Chain Size: **16B-1**

(1" x 17.02 mm)

Pitch: 25.4 mm

Roller Width: 17.02 mm

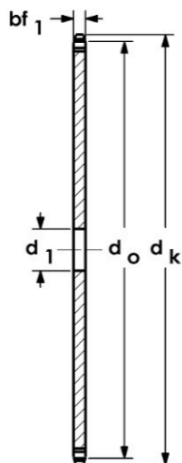
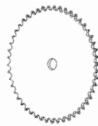
Roller Dia.: 15.88 mm

Spkt. Width: 16.2 mm (bf<sub>1</sub>)

Material: Steel C45



Models Available



Note: Double and triple sprockets including stainless steel available on request.

Part No.	Teeth	d <sub>o</sub> mm	d <sub>k</sub> mm	d <sub>1</sub> mm	Weight kg
16B-8A	8	66.4	77.0	12	0.40
16B-9A	9	74.3	85.0	12	0.50
16B-10A	10	82.2	93	12	0.53
16B-11A	11	90.1	100	16	0.65
16B-12A	12	98.1	109	16	0.78
16B-13A	13	106.1	117	16	0.91
16B-14A	14	114.1	125	16	1.06
16B-15A	15	122.2	133	16	1.23
16B-16A	16	130.2	141	20	1.40
16B-17A	17	138.2	149	20	1.60
16B-18A	18	146.3	157	20	1.80
16B-19A	19	154.3	165	20	2.00
16B-20A	20	162.4	173	20	2.25
16B-21A	21	170.4	181	20	2.50
16B-22A	22	178.5	189	20	2.75
16B-23A	23	186.5	198	20	3.02
16B-24A	24	194.6	206	20	3.30
16B-25A	25	202.7	214	20	3.59
16B-26A	26	210.7	222	20	3.82
16B-27A	27	218.8	230	20	4.17
16B-28A	28	226.8	238	20	4.46
16B-29A	29	234.9	246	20	4.82
16B-30A	30	243.0	254	20	5.20
16B-31A	31	251.1	262	25	5.75
16B-32A	32	259.1	270	25	6.00
16B-33A	33	267.2	279	25	6.40
16B-34A	34	275.3	287	25	6.80
16B-35A	35	283.4	296	25	7.10
16B-36A	36	291.4	305	25	7.50
16B-37A	37	299.5	313	25	7.90
16B-38A	38	307.6	321	25	8.30
16B-39A	39	315.6	329	25	8.65
16B-40A	40	323.7	337	25	9.45
16B-41A	41	331.8	345	25	9.92
16B-42A	42	339.9	353	25	10.44
16B-43A	43	348.0	361	25	10.95
16B-44A	44	356.1	369	25	11.35
16B-45A	45	364.1	377	25	11.82
16B-46A	46	372.2	385	25	12.24
16B-47A	47	380.3	393	25	12.98
16B-48A	48	388.4	401	25	13.58
16B-49A	49	396.4	409	25	14.10
16B-50A	50	404.5	418	25	14.70
16B-54A	54	436.9	448	30	16.70
16B-57A	57	461.1	474	30	18.90
16B-60A	60	485.3	498	30	21.10
16B-65A	65	525.7	539	30	24.70
16B-70A	70	566.1	579	30	28.50
16B-76A	76	614.6	627	30	33.60
16B-80A	80	646.9	660	30	36.90
16B-90A	90	727.8	740	30	39.81
16B-95A	95	768.2	781	30	42.40

# Metric Sprockets



## Taper Bushed Type TL

ISO 20B, DIN 8187 - ISO/R 606

Standard and Hardened Teeth

Material: C45 E

Drawing Dimensions	Sprocket Sizes
	20B
$h_1$	18.5

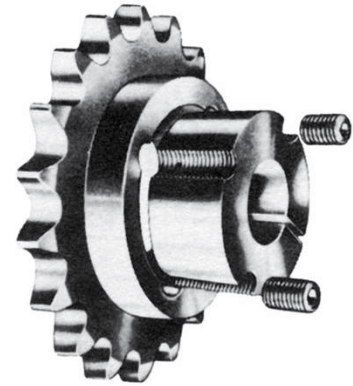
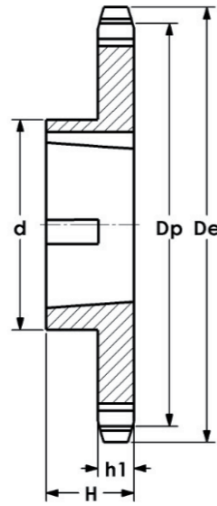
Part No: 20B-17HTL-2517

20B = Chain Size

17 = Number of Teeth

H = Hardened Teeth

TL-2517 = TL Bushing Size



Models Available

Dimensions in mm

Chain Size 1-1/4" x 3/4"	Teeth	D <sub>e</sub>	D <sub>p</sub>	Single				Wt. kg
				Part No.	Type	d	H	
20B	13	147.8	132.65	20B-13TL-2012	1	90	32	1.4
	14	157.8	142.68	20B-14TL-2012	1	90	32	1.9
	15	167.9	152.72	20B-15HTL-2517	1	108	45	2.5
	16	177.9	162.75	20B-16TL-2517	1	108	45	2.8
	17	187.9	172.78	20B-17HTL-2517	1	108	45	3.3
	18	198.0	182.85	20B-18TL-2517	1	108	45	3.5
	19	208.1	192.91	20B-19HTL-2517	1	108	45	4.0
	20	218.1	202.98	20B-20TL-2517	1	108	45	4.3
	21	228.2	213.04	20B-21HTL-2517	1	108	45	5.0
	22	238.3	223.11	20B-22TL-2517	1	108	45	5.5
	23	248.3	233.17	20B-23HTL-2517	1	108	45	6.0
	24	258.4	243.23	20B-24TL-2517	1	108	45	6.5
	25	268.5	253.33	20B-25HTL-2517	1	108	45	7.2
	27	288.6	273.40	20B-27TL-3020	1	150	51	9.0
	30	318.9	303.75	20B-30TL-3020	1	150	51	11.0
	38	399.6	384.49	20B-38TL-3020	1	160	51	17.5
45	470.3	455.17	20B-45TL-3020	1	160	51	24.5	
57	591.5	576.36	20B-57TL-3020	1	160	51	38.0	
76	783.5	768.32	20B-76TL-3020	1	160	51	67.0	

Note: Shaded items with "H" in Part No. indicates Hardened Teeth.

# Metric Sprockets



## ISO 20B Hub Type B

DIN 8187/ISO R 606

Chain Size: 20B-1 (1-1/4" x 3/4")

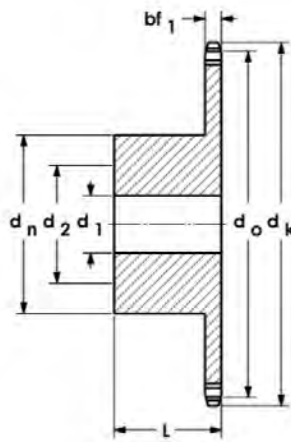
Pitch: 31.75 mm

Roller Width: 19.56 mm

Roller Dia.: 19.05 mm

Spkt. Width: 18.5 mm ( $bf_1$ )

Material: Steel C45



Models Available

Chain Size: 20B-1 (1-1/4" x 3/4")

Part No.	Teeth	$d_o$ mm	$d_k$ mm	$d_n$ mm	$d_1$ mm	$d_2$ mm	L mm	Wt. kg
20B-8B	8	82.96	98.1	53	20	25	40	0.95
20B-9B	9	92.84	108.0	63	20	35	40	1.20
20B-10B	10	102.7	118	70	20	40	40	1.60
20B-11B	11	112.6	127.8	77	20	47	45	2.15
20B-12B	12	122.7	138	88	20	54	45	2.73
20B-13B	13	132.7	148	98	20	61	45	3.30
20B-14B	14	142.7	158	108	20	68	45	3.90
20B-15B	15	152.7	168	118	20	75	45	4.65
20B-16B	16	162.7	178	120	25	75	50	5.40
20B-17B	17	172.8	188	120	25	75	50	5.80
20B-18B	18	182.8	198	120	25	75	50	6.20
20B-19B	19	192.9	208	120	25	75	50	6.60
20B-20B	20	202.9	218	120	25	75	50	7.05
20B-21B	21	213.0	228	140	25	90	55	9.10
20B-22B	22	223.1	238	140	25	90	55	9.40
20B-23B	23	233.2	248	140	25	90	55	10.0
20B-24B	24	243.2	258	140	25	90	55	10.1
20B-25B	25	253.3	268	140	25	90	55	10.2
20B-26B	26	263.4	279	150*	25	100	55	10.3
20B-27B	27	273.5	289	150*	25	100	55	10.4
20B-28B	28	283.6	299	150*	25	100	55	10.5
20B-29B	29	293.7	309	150*	25	100	55	11.0
20B-30B	30	303.8	319	150*	25	100	55	12.0
20B-31B	31	313.9	329	150*	25	100	55	13.5
20B-32B	32	323.9	339	150*	25	100	55	14.0
20B-33B	33	334.0	349	150*	25	100	55	15.5
20B-34B	34	344.1	359	150*	25	100	55	16.8
20B-35B	35	354.2	369	150*	25	100	55	16.9
20B-36B	36	364.3	379	150*	25	100	55	17.0
20B-37B	37	374.4	389	150*	25	100	55	18.5
20B-38B	38	384.5	400	150*	25	100	55	19.3
20B-39B	39	394.6	410	150*	25	100	55	20.0
20B-40B	40	404.7	420	150*	25	100	55	20.2

Note: \* Fabricated with welded hub.

# Metric Sprockets



## ISO 20B-2, 20B-3 Hub Type B

DIN 8187/ISO R 606

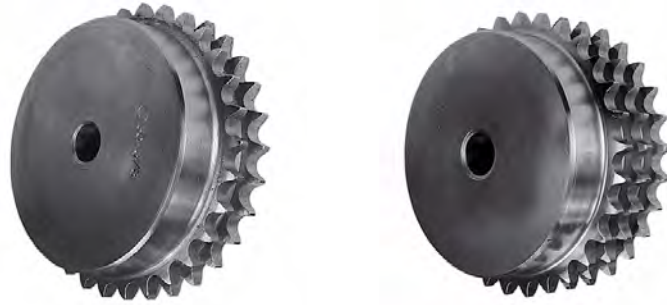
**Chain Size: 20B-2 (1-1/4" x 3/4")**

Pitch: 31.75 mm (1-1/4")

Roller Width: 19.56 mm

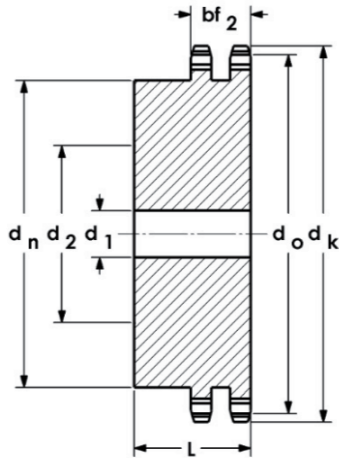
Roller Dia.: 19.05 mm

Material: Steel C45



**Chain Size: 20B-2**

Spkt. Width: 54.6 mm ( $bf_2$ )



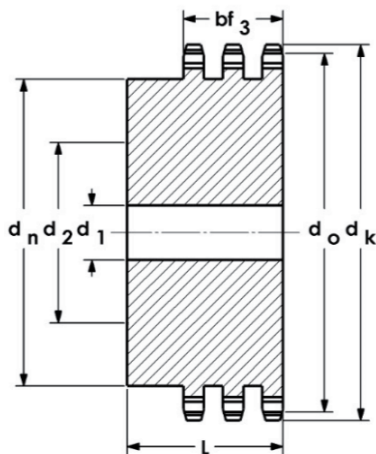
Models Available

Part No.	Teeth	$d_o$ mm	$d_k$ mm	$d_n$ mm	$d_1$ mm	$d_2$ mm	L mm	Wt. kg
20B-2-10B	10	102.7	118	70	20	40	75	2.8
20B-2-11B	11	112.6	127.8	77	20	47	80	3.9
20B-2-12B	12	122.7	138	88	20	54	80	5.0
20B-2-13B	13	132.7	148	98	20	61	80	6.3
20B-2-14B	14	142.7	158	108	20	68	80	7.2
20B-2-15B	15	152.7	168	118	20	75	80	8.2
20B-2-16B	16	162.7	178	120	25	75	80	9.0
20B-2-17B	17	172.8	188	120	25	75	80	10.0
20B-2-18B	18	182.8	198	120	25	75	80	11.2
20B-2-19B	19	192.9	208	120	25	75	80	12.6
20B-2-20B	20	202.9	218	120	25	75	80	14.2

Larger sizes with welded hub on request.

**Chain Size: 20B-3**

Spkt. Width: 91 mm ( $bf_3$ )



Part No.	Teeth	$d_o$ mm	$d_k$ mm	$d_n$ mm	$d_1$ mm	$d_2$ mm	L mm	Wt. kg
20B-3-10B	10	102.7	118	70	20	40	110	4.6
20B-3-11B	11	112.6	127.8	77	20	47	115	6.0
20B-3-12B	12	122.7	138	88	20	54	115	7.4
20B-3-13B	13	132.7	148	98	20	61	115	8.9
20B-3-14B	14	142.7	158	108	20	68	115	10.5
20B-3-15B	15	152.7	168	118	20	75	115	12.4
20B-3-16B	16	162.7	178	120	25	75	115	13.9
20B-3-17B	17	172.8	188	120	25	75	115	15.1
20B-3-18B	18	182.8	198	120	25	75	115	16.8
20B-3-19B	19	192.9	208	120	25	75	115	19.1
20B-3-20B	20	202.9	218	120	25	75	115	22.4

Larger sizes with welded hub on request.

# Metric Sprockets



## ISO 20B Plate Type A

DIN 8187/ISO R 606

Chain Size: 20B-1 (1-1/4" x 3/4")

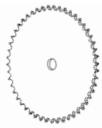
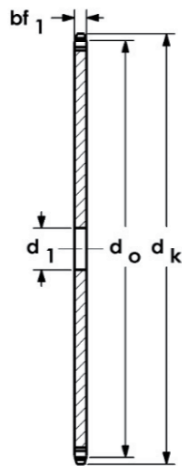
Pitch: 31.75 mm

Roller Width: 19.56 mm

Roller Dia.: 19.05 mm

Spkt. Width: 18.5 mm (bf<sub>1</sub>)

Material: Steel C45



Models Available

## ISO 24B Plate Type A

DIN 8187/ISO R 606

Chain Size: 24B-1 (1-1/2" x 1")

Pitch: 38.1 mm

Roller Width: 25.4 mm

Roller Dia.: 25.4 mm

Spkt. Width: 24.1 mm (bf<sub>1</sub>)

Material: Steel C45

Note:

Double and triple sprockets including stainless steel available on request.

Larger sizes also available.

Part No.	Teeth	d <sub>o</sub> mm	d <sub>k</sub> mm	d <sub>1</sub> mm	Wt. kg
20B-8A	8	82.96	98.1	16	1.0
20B-9A	9	92.8	108.0	16	1.1
20B-10A	10	102.7	117.9	16	1.2
20B-11A	11	112.7	127.8	20	1.3
20B-12A	12	122.7	138	20	1.50
20B-13A	13	132.7	148	20	1.72
20B-14A	14	142.7	158	20	2.00
20B-15A	15	152.7	168	20	2.32
20B-16A	16	162.7	178	25	2.65
20B-17A	17	172.8	188	25	2.97
20B-18A	18	182.8	198	25	3.50
20B-19A	19	192.9	208	25	3.73
20B-20A	20	203.0	218	25	4.10
20B-21A	21	213.0	228	25	4.60
20B-22A	22	223.1	238	25	5.00
20B-23A	23	233.2	248	25	5.60
20B-24A	24	243.2	258	25	6.10
20B-25A	25	253.3	269	25	6.65
20B-27A	27	273.5	289	25	7.80
20B-30A	30	303.8	319	25	9.65
20B-32A	32	323.9	339	25	11.00
20B-35A	35	354.2	369	25	13.18
20B-38A	38	384.5	400	25	15.46
20B-40A	40	404.7	420	25	17.20
20B-45A	45	455.2	470	30	21.70
20B-48A	48	485.5	501	30	25.00
20B-57A	57	576.4	592	30	34.50
20B-65A	65	657.2	672	30	50.40
20B-76A	76	768.2	784	30	62.90

Part No.	Teeth	d <sub>o</sub> mm	d <sub>k</sub> mm	d <sub>1</sub> mm	Wt. kg
24B-8A	8	99.6	115.0	20	2.2
24B-9A	9	111.4	126.4	20	2.4
24B-10A	10	123.3	138.0	20	2.5
24B-11A	11	135.2	150.0	25	2.7
24B-12A	12	147.2	162	20	2.80
24B-13A	13	159.2	174	20	3.10
24B-14A	14	171.2	186	20	3.60
24B-15A	15	183.3	199	20	4.10
24B-16A	16	195.3	211	25	4.70
24B-17A	17	207.3	222	25	5.30
24B-18A	18	219.4	234	25	6.00
24B-19A	19	231.5	246.5	25	6.70
24B-20A	20	243.5	259	25	7.50
24B-21A	21	255.6	271	25	8.30
24B-22A	22	267.7	283	25	9.20
24B-23A	23	279.8	295	25	10.00
24B-24A	24	291.9	307	25	11.10
24B-25A	25	304.0	319	25	11.80
24B-27A	27	328.2	343	30	14.20
24B-30A	30	364.5	380	30	17.00
24B-32A	32	388.6	404	30	18.00
24B-35A	35	425.0	440	30	20.00
24B-38A	38	461.4	477	30	27.60
24B-40A	40	485.6	501	30	29.00
24B-45A	45	546.2	562	30	39.10
24B-48A	48	582.5	597	30	41.20
24B-56A	56	679.5	694	30	60.00
24B-57A	57	691.6	706	30	62.00
24B-76A	76	921.9	937	40	95.00

# Metric Sprockets



## ISO 24B Hub Type B

DIN 8187/ISO R 606

Chain Size: 24B-1 (1-1/2" x 1")

Pitch: 38.1 mm

Roller Width: 25.4 mm

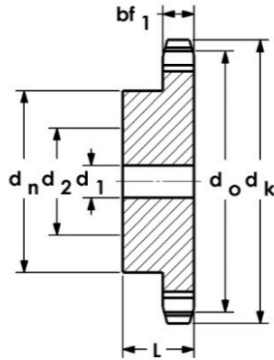
Roller Dia.: 25.4 mm

Spkt. Width: 24.1 mm (bf<sub>1</sub>)

Material: Steel C45



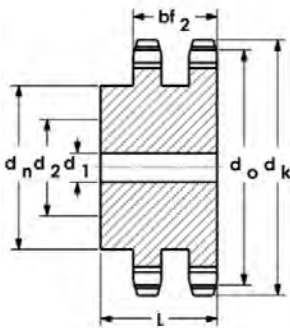
Models Available



Part No.	Teeth	d <sub>o</sub> mm	d <sub>k</sub> mm	d <sub>n</sub> mm	d <sub>1</sub> mm	d <sub>2</sub> mm	L mm	Wt. kg
24B-10B	10	123.3	138	80	20	50	45	3.90
24B-11B	11	135.2	150	90	25	57	50	4.05
24B-12B	12	147.2	162	102	25	62	50	4.30
24B-13B	13	159.2	174	114	25	70	50	5.10
24B-14B	14	171.2	186	128	25	80	50	6.27
24B-15B	15	183.3	198	140	25	90	50	7.15
24B-16B	16	195.3	211	140	25	90	55	8.78
24B-17B	17	207.3	222	140	25	90	55	9.25
24B-18B	18	219.4	234	140	25	90	55	10.16
24B-19B	19	231.5	247	140	25	90	55	10.60
24B-20B	20	243.5	259	140	25	90	55	11.28
24B-21B	21	255.6	271	150	25	95	60	13.32
24B-22B	22	267.7	283	150	25	95	60	14.30
24B-23B	23	279.8	295	150	25	95	60	15.10
24B-24B	24	291.9	307	150	25	95	60	16.00
24B-25B	25	304.0	320	150	25	95	60	16.95

Chain Size: 24B-2

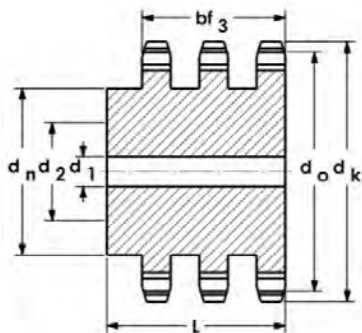
Spkt. Width: 72 mm (bf<sub>2</sub>)



Part No.	Teeth	d <sub>o</sub> mm	d <sub>k</sub> mm	d <sub>n</sub> mm	d <sub>1</sub> mm	d <sub>2</sub> mm	L mm	Wt. kg
24B-2-10B	10	123.3	138	80	20	50	95	5.4
24B-2-11B	11	135.2	150	90	25	57	100	6.7
24B-2-12B	12	147.2	162	102	25	62	100	8.5
24B-2-13B	13	159.2	174	114	25	70	100	10.1
24B-2-14B	14	171.2	186	128	25	80	100	12.4
24B-2-15B	15	183.3	198	140	25	90	100	14.8
24B-2-16B	16	195.3	211	140	25	90	100	17.0
24B-2-17B	17	207.3	222	140	25	90	100	19.0
24B-2-18B	18	219.4	234	140	25	90	100	21.0
24B-2-19B	19	231.5	247	140	25	90	100	24.0
24B-2-20B	20	243.5	259	140	25	90	100	28.0

Chain Size: 24B-3

Spkt. Width: 120.3 mm (bf<sub>3</sub>)



Part No.	Teeth	d <sub>o</sub> mm	d <sub>k</sub> mm	d <sub>n</sub> mm	d <sub>1</sub> mm	d <sub>2</sub> mm	L mm	Wt. kg
24B-3-10B	10	123.3	138	80	20	50	140	8.0
24B-3-11B	11	135.2	150	90	25	57	150	9.5
24B-3-12B	12	147.2	162	102	25	62	150	12.6
24B-3-13B	13	159.2	174	114	25	70	150	15.8
24B-3-14B	14	171.2	186	128	25	80	150	18.8
24B-3-15B	15	183.3	198	140	25	90	150	21.9
24B-3-16B	16	195.3	211	140	25	90	150	24.9
24B-3-17B	17	207.3	222	140	25	90	150	28.9
24B-3-18B	18	219.4	234	140	25	90	150	33.4
24B-3-19B	19	231.5	247	140	25	90	150	37.5
24B-3-20B	20	243.5	259	140	25	90	150	41.8

Larger sizes on request.

# Metric Sprockets

## ISO 28B Hub Type B

DIN 8187/ISO R 606

Chain Size: 28B-1 (1-3/4" x 1-1/4")

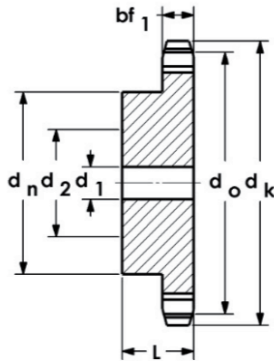
Pitch: 44.45 mm (1-3/4")

Roller Width: 30.99 mm

Roller Dia.: 27.94 mm

Spkt. Width: 28.0 mm (bf<sub>1</sub>)

Material: Steel C45

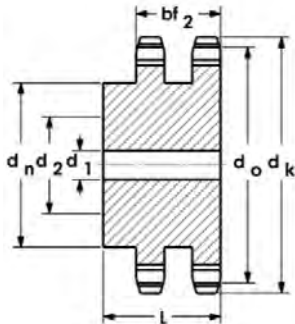


Models Available

Part No.	Teeth	d <sub>o</sub> mm	d <sub>k</sub> mm	d <sub>n</sub> mm	d <sub>1</sub> mm	d <sub>2</sub> mm	L mm	Wt. kg
28B-8B	8	116.2	132	74	25	45	70	1.9
28B-9B	9	129.9	148	88	25	55	70	2.1
28B-10B	10	143.9	162	100	25	60	70	5.5
28B-11B	11	157.8	176	112	25	70	70	7.0
28B-12B	12	171.7	186	125	25	90	70	8.0
28B-13B	13	185.8	204	130*	25	90	70	9.1
28B-14B	14	199.8	218	130*	25	90	70	10.35
28B-15B	15	213.8	232	145*	25	90	70	12.0
28B-16B	16	227.8	246	160*	30	100	75	7.5
28B-17B	17	241.9	260	160*	30	100	75	11.5
28B-18B	18	255.9	274	160*	30	100	75	17.5
28B-19B	19	270.0	289	160*	30	100	75	14.01
28B-20B	20	284.1	303	160*	30	100	75	20.0

Chain Size: 28B-2

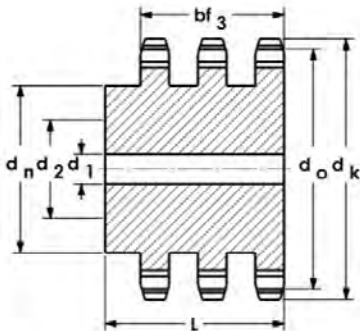
Spkt. Width: 87.5 mm (bf<sub>2</sub>)



Part No.	Teeth	d <sub>o</sub> mm	d <sub>k</sub> mm	d <sub>n</sub> mm	d <sub>1</sub> mm	d <sub>2</sub> mm	L mm	Wt. kg
28B-2-8B	8	116.2	132	74	25	45	120	5.0
28B-2-9B	9	129.9	148	88	25	55	120	7.0
28B-2-10B	10	143.9	162	100	25	60	120	9.5
28B-2-11B	11	157.8	176	112	25	70	120	12.5
28B-2-12B	12	171.7	186	125	25	90	120	14.65
28B-2-13B	13	185.8	204	130*	25	90	120	16.9
28B-2-14B	14	199.8	218	130*	25	90	120	16.95
28B-2-15B	15	213.8	232	145*	25	90	120	17.0
28B-2-16B	16	227.8	246	160*	30	100	120	17.15
28B-2-17B	17	241.9	260	160*	30	100	120	17.35
28B-2-18B	18	255.9	274	160*	30	100	120	17.50
28B-2-19B	19	270.0	289	180*	30	100	120	19.25
28B-2-20B	20	284.1	303	180*	30	100	120	42.6

Chain Size: 28B-3

Spkt. Width: 147.0 mm (bf<sub>3</sub>)



Part No.	Teeth	d <sub>o</sub> mm	d <sub>k</sub> mm	d <sub>n</sub> mm	d <sub>1</sub> mm	d <sub>2</sub> mm	L mm	Wt. kg
28B-3-8B	8	116.2	132	74	25	45	180	9.0
28B-3-9B	9	129.9	148	88	25	55	180	11.0
28B-3-10B	10	143.9	162	100	25	60	180	14.0
28B-3-11B	11	157.8	176	112	25	70	180	17.0
28B-3-12B	12	171.7	186	125	25	90	180	20.0
28B-3-13B	13	185.8	204	130*	25	90	180	25.3
28B-3-14B	14	199.8	218	130*	25	90	180	30.0
28B-3-15B	15	213.8	232	145*	25	90	180	35.0
28B-3-16B	16	227.8	246	160*	30	100	180	40.5
28B-3-17B	17	241.9	260	160*	30	100	180	46.0
28B-3-18B	18	255.9	274	160*	30	100	180	53.0
28B-3-19B	19	270.0	289	160*	30	100	180	59.0
28B-3-20B	20	284.1	303	160*	30	100	180	62.0

Note: \* Fabricated with welded hub.



# Metric Sprockets



## ISO 32B Hub Type B

DIN 8187/ISO R 606

Chain Size: **32B-1 (2" x 1-1/4")**

Pitch: 50.8 mm (2")

Roller Width: 30.99 mm

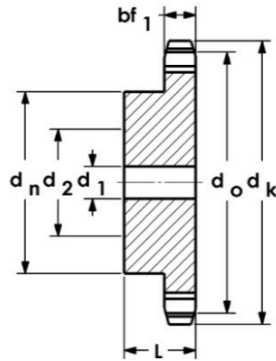
Roller Dia.: 29.21 mm

Spkt. Width: 29.4 mm (bf<sub>1</sub>)

Material: Steel C45



Models Available

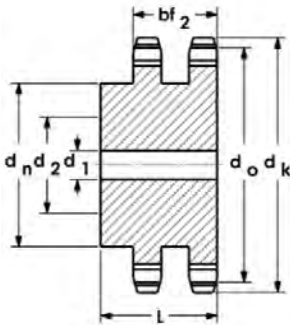


Part No.	Teeth	d <sub>o</sub> mm	d <sub>k</sub> mm	d <sub>n</sub> mm	d <sub>1</sub> mm	d <sub>2</sub> mm	L mm	Wt. kg
32B-8B	8	132.7	153	82	25	50	80	6.00
32B-9B	9	148.5	169	88	25	55	80	5.55
32B-10B	10	164.4	185	104	25	60	80	8.00
32B-11B	11	180.3	200	120	30	75	80	8.70
32B-12B	12	196.3	217	133*	30	80	80	11.00
32B-13B	13	212.3	233	145*	30	90	80	9.00
32B-14B	14	228.3	249	160*	30	100	80	15.70
32B-15B	15	244.3	265	160*	30	100	80	18.00

Note: \* Fabricated with welded hub.

Chain Size: **32B-2**

Spkt. Width: 87.4 mm (bf<sub>2</sub>)

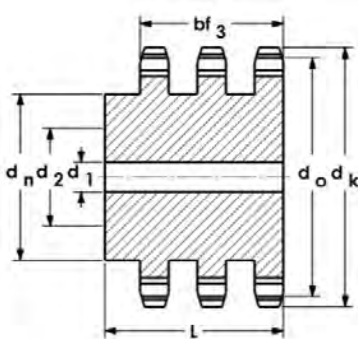


Part No.	Teeth	d <sub>o</sub> mm	d <sub>k</sub> mm	d <sub>n</sub> mm	d <sub>1</sub> mm	d <sub>2</sub> mm	L mm	Wt. kg
32B-2-8B	8	132.7	153	82	25	50	120	10.0
32B-2-9B	9	148.5	169	88	25	55	120	12.0
32B-2-10B	10	164.4	185	104	25	60	120	14.5
32B-2-11B	11	180.3	200	120	30	75	120	16.0
32B-2-12B	12	196.3	217	133*	30	80	120	18.2
32B-2-13B	13	212.3	233	145*	30	90	120	21.5
32B-2-14B	14	228.3	249	160*	30	100	120	26.5
32B-2-15B	15	244.3	265	160*	30	100	120	31.0

Note: \* Fabricated with welded hub.

Chain Size: **32B-3**

Spkt. Width: 146.0 mm (bf<sub>3</sub>)



Part No.	Teeth	d <sub>o</sub> mm	d <sub>k</sub> mm	d <sub>n</sub> mm	d <sub>1</sub> mm	d <sub>2</sub> mm	L mm	Wt. kg
32B-3-8B	8	132.7	153	82	25	50	180	21.0
32B-3-9B	9	148.5	169	88	25	55	180	23.0
32B-3-10B	10	164.4	185	104	25	60	180	25.0
32B-3-11B	11	180.3	200	120	30	75	180	27.0
32B-3-12B	12	196.3	217	133*	30	80	180	30.0
32B-3-13B	13	212.3	233	145*	30	90	180	33.9
32B-3-14B	14	228.3	249	160*	30	100	180	40.6
32B-3-15B	15	244.3	265	160*	30	100	180	46.0

Note: \* Fabricated with welded hub.

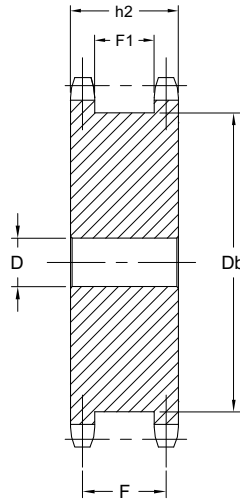


# Metric Double Single Sprocket

Material: C45 E Steel



For 06B-1 Roller Chain (3/8" x 7/32", Roller Diameter 6.35mm)						
Part No.	Teeth	h2	F	F1	Db	D
06B-13DS	13	24.3	19	13.7	28	10
06B-14DS	14	24.3	19	13.7	31	10
06B-15DS	15	24.3	19	13.7	34	10
06B-16DS	16	24.3	19	13.7	37	10
06B-17DS	17	24.3	19	13.7	40	10
06B-18DS	18	24.3	19	13.7	43	10
06B-19DS	19	24.3	19	13.7	46	10
06B-20DS	20	24.3	19	13.7	49	10
06B-21DS	21	24.3	19	13.7	52	12
06B-23DS	23	24.3	19	13.7	59	12
06B-25DS	25	24.3	19	13.7	65	12



Models Available

For 08B-1 Roller Chain (1/2" x 5/16", Roller Diameter 8.51mm)						
Part No.	Teeth	h2	F	F1	Db	D
08B-12DS	12	31	23.8	16.6	33	10
08B-13DS	13	31	23.8	16.6	37	10
08B-14DS	14	31	23.8	16.6	42	10
08B-15DS	15	31	23.8	16.6	45	10
08B-16DS	16	31	23.8	16.6	49	10
08B-17DS	17	31	23.8	16.6	53	12
08B-18DS	18	31	23.8	16.6	57	12
08B-19DS	19	31	23.8	16.6	62	12
08B-20DS	20	31	23.8	16.6	66	12
08B-21DS	21	31	23.8	16.6	70	14
08B-23DS	23	31	23.8	16.6	78	14
08B-24DS	24	31	23.8	16.6	82	14
08B-25DS	25	31	23.8	16.6	86	14

For 10B-1 Roller Chain (5/8" x 3/8", Roller Diameter 10.16mm)						
Part No.	Teeth	h2	F	F1	Db	D
10B-12DS	12	36.5	27.3	18.1	45	12
10B-13DS	13	36.5	27.3	18.1	50	12
10B-14DS	14	36.5	27.3	18.1	55	12
10B-15DS	15	36.5	27.3	18.1	60	12
10B-16DS	16	36.5	27.3	18.1	73	14
10B-17DS	17	36.5	27.3	18.1	70	14
10B-18DS	18	36.5	27.3	18.1	75	14
10B-19DS	19	36.5	27.3	18.1	80	14
10B-20DS	20	36.5	27.3	18.1	85	14
10B-21DS	21	36.5	27.3	18.1	90	16
10B-22DS	22	36.5	27.3	18.1	95	16
10B-23DS	23	36.5	27.3	18.1	100	16
10B-25DS	25	36.5	27.3	18.1	110	16

For 12B-1 Roller Chain (3/4" x 7/16", Roller Diameter 12.07mm)						
Part No.	Teeth	h2	F	F1	Db	D
12B-12DS	12	45	33.9	22.8	53	14
12B-13DS	13	45	33.9	22.8	59	14
12B-14DS	14	45	33.9	22.8	65	14
12B-15DS	15	45	33.9	22.8	71	14
12B-16DS	16	45	33.9	22.8	77	14
12B-17DS	17	45	33.9	22.8	83	16
12B-18DS	18	45	33.9	22.8	89	16
12B-19DS	19	45	33.9	22.8	95	16
12B-20DS	20	45	33.9	22.8	101	16
12B-21DS	21	45	33.9	22.8	107	20
12B-23DS	23	45	33.9	22.8	119	20
12B-25DS	25	45	33.9	22.8	131	20

For 16B-1 Roller Chain (1" x 17.02", Roller Diameter 15.88mm)						
Part No.	Teeth	h2	F	F1	Db	D
16B-13DS	13	63.5	47.3	31.1	81	16
16B-14DS	14	63.5	47.3	31.1	89	16
16B-15DS	15	63.5	47.3	31.1	97	16
16B-16DS	16	63.5	47.3	31.1	105	20
16B-17DS	17	63.5	47.3	31.1	113	20
16B-18DS	18	63.5	47.3	31.1	121	20
16B-19DS	19	63.5	47.3	31.1	129	20
16B-20DS	20	63.5	47.3	31.1	137	20
16B-21DS	21	63.5	47.3	31.1	145	20
16B-23DS	23	63.5	47.3	31.1	161	20
16B-25DS	25	63.5	47.3	31.1	177	20

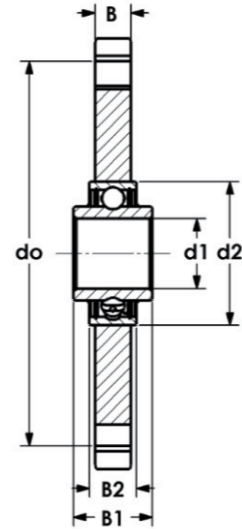
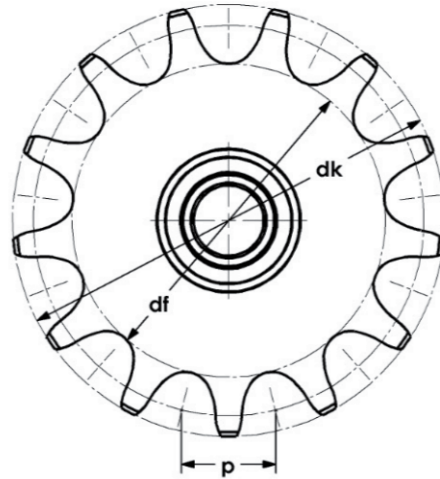
Note: TL Taper Bushed version available on request.  
Finished Bore also available on request.

# Metric Idler Sprockets

## with Ball Bearing



Models Available

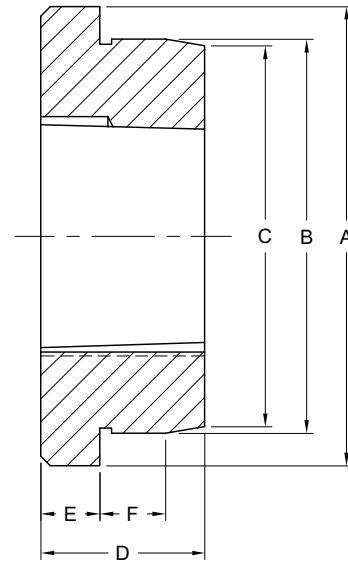
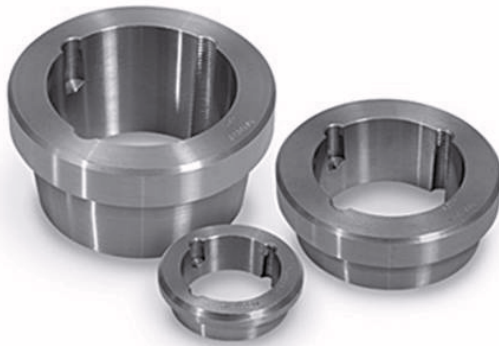


Part No.	Chain Size (ISO)	Pitch p mm	Teeth	d <sub>o</sub> mm	d <sub>k</sub> mm	B mm	d <sub>1</sub> mm *	d <sub>2</sub> mm	B <sub>1</sub> mm	B <sub>2</sub> mm	Wt. kg
IS-05B-1-23T	05B-1	8	23	58.75	62.0	7.0	16	40	18.3	12	0.14
IS-06B-1-21T	06B-1	9.525	21	63.9	68.0	5.3	16	40	18.3	12	0.15
IS-081B-1-18T	081B-1	12.7	18	73.1	78.9	7.0	16	40	18.3	12	0.20
IS-083B-1-16T	083B-1	12.7	16	65.1	70.9	7.0	16	40	18.3	12	0.20
IS-08B-1-16T	08B-1	12.7	16	65.1	69.5	7.2	16	40	18.3	12	0.20
IS-08B-1-18T	08B-1	12.7	18	73.1	78.0	7.2	16	40	18.3	12	0.20
IS-10B-1-15T	10B-1	15.875	15	86.4	93.0	9.1	16	40	18.3	12	0.20
IS-10B-1-17T	10B-1	15.875	17	86.4	93.0	9.1	16	40	18.3	12	0.30
IS-12B-1-15T	12B-1	19.05	15	91.6	100.0	11.1	16	40	18.3	12	0.40
IS-16B-1-12T	16B-1	25.4	12	98.1	109.0	16.2	20	47	17.7	14	0.65
IS-20B-1-13T	20B-1	31.75	13	132.7	148.0	18.5	25	52	25.4	15	0.73

Note: \*Bore Tolerance + 0.26/+ 0.13mm

# Weld-On Hubs

## TL Bushing Type



Part No	Bushing	Screw Size	A	B	C	D	E	F
WHTL-1210	1210	3/8"-16TPI	73	60	58	25	9	10
WHTL-1610	1610	3/8"-16TPI	83	70	68	25	9	10
WHTL-1615	1615	3/8"-16TPI	83	70	68	38	16	11
WHTL-2012	2012	7/16"-14TPI	96	90	88	32	10	12
WHTL-2517	2517	1/2"-13TPI	127	110	108	45	19	13
WHTL-2517-BSW	2517	1/2"-12TPI	127	110	108	45	19	13
WHTL-3020	3020	5/8"-11TPI	152	130	125	51	24	18
WHTL-3030	3030	5/8"-11TPI	152	130	125	76	25	19
WHTL-3525-BSW	3525	1/2"-12TPI	184	155	151	65	25	25
WHTL-3535	3535	1/2"-13TPI	184	155	151	89	32	25
WHTL-3535-BSW	3535	1/2"-12TPI	184	155	151	89	32	25
WHTL-4040	4040	5/8"-11TPI	225	195	187	102	32	35
WHTL-4545	4545	3/4"-10TPI	254	220	213	114	38	40
WHTL-5050	5050	7/8"-9TPI	276	242	228	127	38	40

Note: BSW Types are made to European specs and will accept 1/2"-12 threads per inch. Material: St-50

Introduction

Mounted Ball Bearings

SRE / SR2 Spherical Bearings

SAF / Plummer Blocks

Brq. Accessories, Radial Ball, & Eich Bearings

Rod Ends & Spherical Plain Bearings

Roller Chain & Sprockets

Bushings & Hubs

Gears & Racks

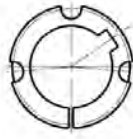
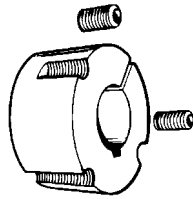
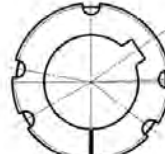
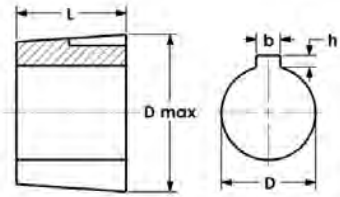
Belt Drives / Couplings

Linear Motion / WINKEL

# Taper Bushings & Keystock - Metric



Models Available

TYPE A  
(1008-3030)TYPE B  
(3535-5050)

Part No. Example: 2012-25mm

Dimensions in mm

Size	D mm Bores Available	D max	Bushing Length	Set Screws			Torque Nm
				Whitworth	Length	Allen Wrench Size	
1008	10, 11, 12, 14, 15, 16, 17, 18, 19, 20, 22, (24), (25)	35.0	22.3	1/4" x 20 TPI	13	3	5.7
1108	10, 11, 12, 14, 15, 16, 17, 18, 19, 20, 22, 24, 25, (28)	38.0	22.3	1/4" x 20 TPI	13	3	5.7
1210	11, 12, 14, 15, 16, 18, 19, 20, 22, 24, 25, 28, 30, 32	47.5	25.4	3/8" x 16 TPI	16	5	20
1215	14, 19, 20, 24, 25, 28	47.5	38.1	3/8" x 16 TPI	16	5	20
1310	12, 14, 15, 16, 18, 19, 20, 22, 24, 25, 28, 30, 32, (35)	50.5	25.4	3/8" X 16TPI	16	5	20
1610	12, 14, 15, 16, 18, 19, 20, 22, 24, 25, 28, 30, 32, 35, 38, 40, (42)	57.0	25.4	3/8" x 16 TPI	16	5	20
1615	14, 16, 18, 19, 20, 22, 24, 25, 28, 30, 32, 35, 38, 40, (42)	57.0	38.1	3/8" x 16 TPI	16	5	20
2012	15, 16, 18, 19, 20, 22, 24, 25, 28, 30, 32, 35, 38, 40, 42, 45, 48, 50	70.0	31.8	7/16" x 14 TPI	22	5	31
2517**	18, 19, 20, 22, 24, 25, 28, 30, 32, 35, 38, 40, 42, 45, 48, 50, 55, 60, 65	85.5	44.5	1/2" x 12 TPI	25	1/4"	49
2517 AS*	18, 19, 20, 22, 24, 25, 28, 30, 32, 35, 38, 40, 42, 45, 48, 50, 55, 60, 65	85.5	44.5	1/2" x 13 UNC*	25	1/4"	49
3020	25, 28, 30, 32, 35, 38, 40, 42, 45, 48, 50, 55, 60, 65, 70, 75	108.0	50.8	5/8" x 11 TPI	32	8	92
3030	35, 38, 40, 42, 45, 48, 50, 55, 60, 65, 70, 75	108.0	76.2	5/8" x 11 TPI	38	8	92
3525, 3535**	35, 38, 40, 42, 45, 48, 50, 55, 60, 65, 70, 75, 80, 85, 90	127.0	88.9	1/2" x 12 TPI	44	10	115
3525 AS*, 3535 AS*, 3535 AS	35, 38, 40, 42, 45, 50, 55, 60, 65, 70, 75, 80, 85, 90	127.0	88.9	1/2" x 13 UNC*	44	3/8"	115
4040	40, 42, 45, 48, 50, 55, 60, 65, 70, 75, 80, 85, 90, 95, 100	146.0	101.6	5/8" x 11 TPI	51	12	172
4545	55, 60, 65, 70, 75, 80, 85, 90, 95, 100, 105, 110	162.0	114.3	3/4" x 10 TPI	57	14	195
5050	70, 75, 80, 85, 90, 95, 100, 105, 110, 115, 120, 125	177.5	127.0	7/8" x 9 TPI	59	14	275

Note: Sizes 4030, 4535, 5040 available on request.

## Keyway Dimensions (per DIN 6885)

Bore D	Keyway Width b	Keyway Depth h
9 to 10	3	1.4
11 to 12	4	1.8
13 to 17	5	2.3
18 to 22	6	2.8
23 to 30	8	3.3
31 to 38	10	3.3
39 to 44	12	3.3
45 to 50	14	3.8
51 to 58	16	4.3
59 to 65	18	4.4
66 to 75	20	4.9
76 to 85	22	5.4
86 to 95	25	5.4
96 to 110	28	6.4
111 to 130	32	7.4

\*Denotes "AS" American Standard Thread Sizes - 1/2" x 13 UNC set screws for these sizes.

## Shallow Keyway Dimensions

Bore D	Keyway Width b	Keyway Depth h
25	8	1.30
28	8	2.30
32	10	3.30
35	10	3.30
40	12	3.30
42	12	2.20

## Metric Keystock (12" Length)

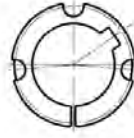
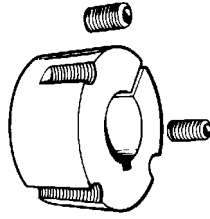
Part No.	Size	Part No.	Size
KS 4 x 4	4 mm	KS 8 x 8	8 mm
KS 5 x 5	5 mm	KS 10 x 10	10 mm
KS 6 x 6	6 mm	KS 12 x 12	12 mm
KS 7 x 7	7 mm	—	—

\*\*Bushing types 2517, 3525 and 3535 are made to "European" standards with 1/2" x 12tpi BSW set screws.

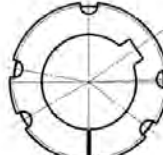
# Taper Bushings & Keystock - Inch



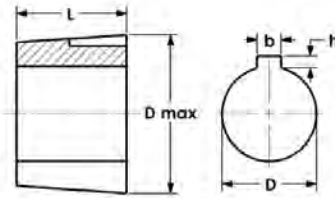
Models Available



TYPE A  
(1008-3030)



TYPE B  
(3535-5050)



Part No. Example: 2012-3/4

Dimensions in inches

Size	D inch Bores Available	D max	L Bushings Length	Set Screws		Torque Nm
				Whitworth	Length	
1008	1/2, 9/16, 5/8, 11/16, 3/4, 13/16, 7/8, (15/16), (1)	1.38	0.88	1/4 x 20 TPI	0.51	5.7
1108	1/2, 9/16, 5/8, 11/16, 3/4, 13/16, 7/8, 15/16, 1, (1-1/16), (1-1/8)	1.50	0.88	1/4 x 20 TPI	0.51	5.7
1210	1/2, 9/16, 5/8, 11/16, 3/4, 13/16, 7/8, 15/16, 1, 1-1/16, 1-1/8, 1-3/16, 1-1/4	1.87	1.00	3/8 x 16 TPI	0.63	20
1215	1/2, 9/16, 5/8, 11/16, 3/4, 13/16, 7/8, 15/16, 1, 1-1/16, 1-1/8, 1-3/16, 1-1/4	1.87	1.50	3/8 x 16 TPI	0.63	20
1310	1/2, 9/16, 5/8, 11/16, 3/4, 13/16, 7/8, 15/16, 1, 1-1/16, 1-1/8, 1-3/16, 1-1/4, 1-5/16, 1-3/8	1.99	1.00	3/8 x 16 TPI	0.63	20
1610	1/2, 9/16, 5/8, 11/16, 3/4, 13/16, 7/8, 15/16, 1, 1-1/16, 1-1/8, 1-3/16, 1-1/4, 1-5/16, 1-3/8, 1-7/16, 1-1/2, (1-5/8)	2.24	1.00	3/8 x 16 TPI	0.63	20
1615	1/2, 9/16, 5/8, 11/16, 3/4, 13/16, 7/8, 15/16, 1, 1-1/16, 1-1/8, 1-3/16, 1-1/4, 1-5/16, 1-3/8, 1-7/16, 1-1/2, (1-5/8)	2.24	1.50	3/8 x 16 TPI	0.63	20
2012	3/4, 13/16, 7/8, 15/16, 1, 1-1/16, 1-1/8, 1-3/16, 1-1/4, 1-5/16, 1-3/8, 1-7/16, 1-1/2, 1-5/8, 1-11/16, 1-3/4, 1-7/8, (1-15/16), (2)	2.76	1.25	7/16 x 14 TPI	0.87	31
2517**	1-5/16, 1-3/8, 1-7/16, 1-1/2, 1-5/8, 1-11/16, 1-3/4, 1-7/8, 1-15/16, 2, 2-1/8, 2-3/16, 2-1/4, (2-3/8), (2-7/16), (2-1/2)	3.37	1.75	1/2 x 12 TPI	0.98	49
2517 AS*	1-5/16, 1-3/8, 1-7/16, 1-1/2, 1-5/8, 1-11/16, 1-3/4, 1-7/8, 1-15/16, 2, 2-1/8, 2-3/16, 2-1/4, (2-3/8), (2-7/16), (2-1/2)	3.37	1.75	1/2 x 13 UNC*	0.98	49
3020	1-1/4, 1-5/16, 1-3/8, 1-7/16, 1-1/2, 1-5/8, 1-11/16, 1-3/4, 1-7/8, 1-15/16, 2, 2-1/8, 2-3/16, 2-1/4, 2-3/8, 2-7/16, 2-1/2, 2-5/8, 2-11/16, 2-3/4, (2-7/8), (2-15/16), (3)	4.25	2.00	5/8 x 11 TPI	1.26	92
3030	1-1/4, 1-5/16, 1-3/8, 1-7/16, 1-1/2, 1-5/8, 1-11/16, 1-3/4, 1-7/8, 1-15/16, 2, 2-1/8, 2-3/16, 2-1/4, 2-3/8, 2-7/16, 2-1/2, 2-5/8, 2-11/16, 2-3/4, (2-7/8), (2-15/16), (3)	4.25	3.00	5/8 x 11 TPI	1.50	92
3525 3535**	1-1/2, 1-5/8, 1-11/16, 1-3/4, 1-7/8, 1-15/16, 2, 2-1/8, 2-3/16, 2-1/4, 2-3/8, 2-7/16, 2-1/2, 2-5/8, 2-11/16, 2-3/4, 2-7/8, 2-15/16, 3, 3-1/8, 3-3/16, 3-1/4, (3-3/8), (3-7/16), (3-1/2)	5.00	2.50	1/2 x 12 TPI	1.73	115
3535 AS*	1-1/2, 1-5/8, 1-11/16, 1-3/4, 1-7/8, 1-15/16, 2, 2-1/8, 2-3/16, 2-1/4, 2-3/8, 2-7/16, 2-1/2, 2-5/8, 2-11/16, 2-3/4, 2-7/8, 2-15/16, 3, 3-1/8, 3-3/16, 3-1/4, (3-3/8), (3-7/16), (3-1/2)	5.00	3.50	1/2 x 13 UNC*	1.73	115
4040	1-3/4, 1-7/8, 1-15/16, 2, 2-1/8, 2-3/16, 2-1/4, 2-3/8, 2-7/16, 2-1/2, 2-5/8, 2-11/16, 2-3/4, 2-7/8, 2-15/16, 3, 3-1/8, 3-3/16, 3-1/4, 3-3/8, 3-7/16, 3-1/2	5.75	4.00	5/8 x 11 TPI	2.01	172
4545	2-1/4, 2-3/8, 2-7/16, 2-1/2, 2-5/8, 2-11/16, 2-3/4, 2-7/8, 2-15/16, 3, 3-1/8, 3-3/16, 3-1/4, 3-3/8, 3-7/16, 3-1/2, 3-3/4, 3-15/16, 4	6.38	4.50	3/4 x 10 TPI	2.24	195
5050	2-3/4, 2-7/8, 2-15/16, 3, 3-1/8, 3-3/16, 3-1/4, 3-3/8, 3-7/16, 3-1/2, 3-3/4, 3-15/16, 4, 4-3/16, 4-1/4, 4-7/16, 4-1/2, 4-3/4, 4-15/16, 5	6.99	5.00	7/8 x 9 TPI	2.32	275

## Keyway Dimensions (per DIN 6885)

Bore D	Keyway Width b	Keyway Depth h
1/2	1/8	1/16
5/8 to 7/8	3/16	3/32
15/16 to 1-1/4	1/4	1/8
1-5/16 to 1-3/8	5/16	5/32
1-7/16 to 1-3/4	3/8	3/16
1-13/16 to 2-1/4	1/2	1/4
2-5/16 to 2-3/4	5/8	5/16
2-13/16 to 3-1/4	3/4	3/8
3-5/16 to 3-3/4	7/8	7/16
3-7/8 to 4-1/2	1	1/2
4-1/2 to 5 1/2	1-1/4	5/8

Dimensions in mm except for Bores and Keyway. Bores in parentheses with Shallow Keyway.

\*\*Bushing types 2517, 3525 and 3535 are made to "European" standards with 1/2" x 12tpi BSW set screws.

To order, specify: 1008 - xx, where xx denotes bore size.

## Shallow Keyway Dimensions

Bore D	Keyway Width b	Keyway Depth h
15/16 to 1-1/8	1/4	1/16
1-9/16 to 1-5/8	3/8	1/8
1-15/16 to 2	1/2	3/16
2-5/16 to 2-1/2	5/8	1/4
2-7/8 to 3	3/4	1/4
3-3/8 to 3-1/2	7/8	3/8

## Inch Keystock (12" Length)

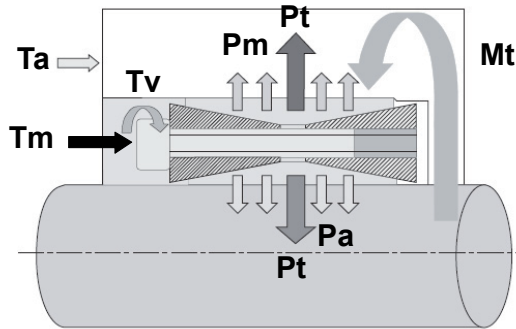
Part No.	Size	Part No.	Size
KS 1/8 x 1/8	1/8	KS 3/8 x 3/8	3/8
KS 3/16 x 3/16	3/16	KS 7/16 x 7/16	7/16
KS 1/4 x 1/4	1/4	KS 1/2 x 1/2	1/2
KS 5/16 x 5/16	5/16	—	—

\*Denotes "AS" American Standard Thread Sizes - 1/2" x 13 UNC set screw for these sizes.

# Keyless Bushings

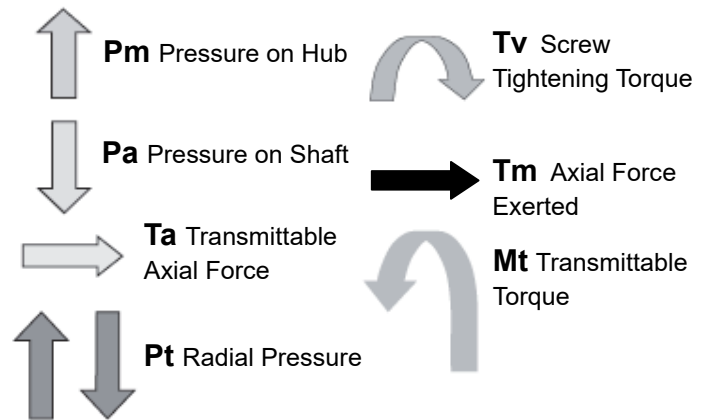


## Overview/Technical Data



### Key Features:

- Self-centering option for improved balance of drive
- No Keyway or set screw to damage shaft allowing re-use of shaft
- Pre-assembled, limited number of loose parts
- Functions as a press or shrink fit
- Simple installation and removal



### Nomenclature/Fits:

#### KL AB 19/47

Where: KL = Keyless Bushing  
 AB = Type (i.e. AA, AB, BB, CC ect.)  
 19 = Shaft Size (i.e. 19mm)  
 47 = Drive Component ID (47mm)

Recommended Shaft Fit: h8  
 Recommended Hub Fit: H8

### Formulas:

$$P_{t \text{ hub}} = \pi \cdot D \cdot H_2 \cdot P_m \text{ (Pressure of Keyless Bushing on Drive Product)}$$

$$P_{t \text{ shaft}} = \pi \cdot d \cdot H_2 \cdot P_a \text{ (Pressure of Keyless Bushing on Shaft)}$$

$$M_t = P_t \cdot \mu \cdot d/2$$

$$T_a = 2 \cdot M_t \cdot SF$$

$$P_{t \text{ shaft}} = P_{t \text{ hub}}$$

Where:  $\mu$  = coefficient of Friction-steel on steel (dry 0.15)  
 SF = Service Factors (1.0 Uniform, 1.5 Intermittent, 2.0 mild Shock, 3.0 for Severe Shock Loads))

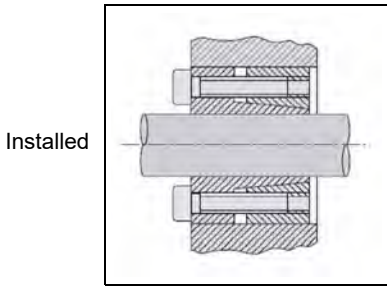
Type	AA	AB	BB	CC	DA	DB	EE	FF	FC	GG	HH	MM	NN	PP	RR	SS
Self Centering	•	•	•	•	•	•	•	•							•	•
Not Self Centering									•	•	•	•	•	•		
Minimum Radial Dimensions				•				•	•				•			
Quick Assembly	•	•	•	•	•	•		•	•	•	•	•	•	•	•	•
Low to Medium Torque								•			•		•			•
Medium to High Torque	•	•		•					•	•		•		•	•	
High Torque			•		•	•	•									

# Keyless Bushings



## KLAA Series

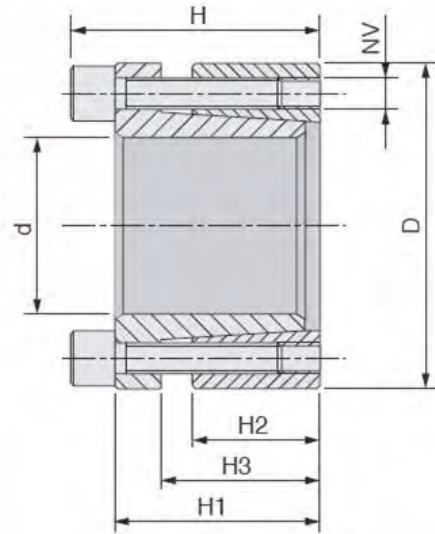
- Self Centering
- Quick Installation & Removal
- Medium to High Torque
- Pre-assembled
- Functions as a Press or Shrink Fit
- No Loose Set Screws or Keyways



Installed



Models Available



Material: C45E

Part No.	d	D	H	H1	H2	H3	Mounting Screws			Removal Screws		Max Transmitted		Shaft Pressure Pa (N/mm <sup>2</sup> )	Hub Pressure Pm (N/mm <sup>2</sup> )	Wt. kg
							NV	Torque Tv (Nm)	Screws	NV	Screws	Torque Mt (Nm)	Thrust Ta (kN)			
KLAA19/47	19	47	34	28	17	22	M6x20	13	5	M6x20	3	273	29	262	106	0.35
KLAA20/47	20	47	34	28	17	22	M6x20	13	5	M6x20	3	287	29	249	106	0.30
KLAA22/47	22	47	34	28	17	22	M6x20	13	5	M6x20	3	316	29	227	106	0.28
KLAA24/50	24	50	34	28	17	22	M6x20	13	6	M6x20	3	413	34	249	120	0.30
KLAA25/50	25	50	34	28	17	22	M6x20	13	6	M6x20	3	431	34	239	120	0.30
KLAA28/55	28	55	34	28	17	22	M6x20	13	6	M6x20	3	482	34	213	109	0.32
KLAA30/55	30	55	34	28	17	22	M6x20	13	6	M6x20	3	517	34	199	109	0.50
KLAA32/60	32	60	34	28	17	22	M6x20	13	8	M6x20	4	734	46	249	133	0.45
KLAA35/60	35	60	34	28	17	22	M6x20	13	8	M6x20	4	803	46	227	133	0.30
KLAA38/65	38	65	34	28	17	22	M6x20	13	8	M6x20	4	872	46	210	122	0.50
KLAA40/65	40	65	34	28	17	22	M6x20	13	8	M6x20	4	918	46	199	122	0.40
KLAA45/75	45	75	41	33	20	25	M8x25	32	7	M8x25	3	1674	74	244	146	0.67
KLAA50/80	50	80	41	33	20	25	M8x25	32	7	M8x25	3	1860	74	219	137	0.70
KLAA55/85	55	85	41	33	20	25	M8x25	32	8	M8x25	4	2340	85	228	148	0.80
KLAA60/90	60	90	41	33	20	25	M8x25	32	8	M8x25	4	2553	85	209	139	0.85
KLAA65/95	65	95	41	33	20	25	M8x25	32	9	M8x25	3	3110	96	217	149	0.90
KLAA70/110	70	110	50	40	24	30	M10x30	65	8	M10x30	4	4838	138	243	154	1.50
KLAA75/115	75	115	50	40	24	30	M10x30	65	8	M10x30	4	5184	138	226	148	2.00
KLAA80/120	80	120	50	40	24	30	M10x30	65	8	M10x30	4	5530	138	212	142	2.00
KLAA85/125	85	125	50	40	24	30	M10x30	65	9	M10x30	3	6610	156	225	153	1.90
KLAA90/130	90	130	50	40	24	30	M10x30	65	9	M10x30	3	6998	156	212	147	2.00
KLAA95/135	95	135	50	40	25	30	M10x30	65	10	M10x30	4	8208	173	223	157	2.10
KLAA100/145	100	145	56	44	26	32	M12x35	110	8	M12x35	4	9742	195	221	152	3.00
KLAA110/155	110	155	56	44	26	32	M12x35	110	8	M12x35	4	10716	195	201	143	3.00
KLAA120/165	120	165	56	44	26	32	M12x35	110	9	M12x35	4	13154	219	207	151	3.50
KLAA130/180	130	180	64	52	34	40	M12x35	170	12	M12x35	6	18996	292	195	141	4.50
KLAA140/190	140	190	68	54	34	40	M14x40	170	9	M14x40	4	20336	291	180	133	5.00
KLAA150/200	150	200	68	54	34	40	M14x40	170	10	M14x40	5	24211	323	187	140	5.40

# Keyless Bushings



## KLAB Series

Self Centering

Quick Installation & Removal

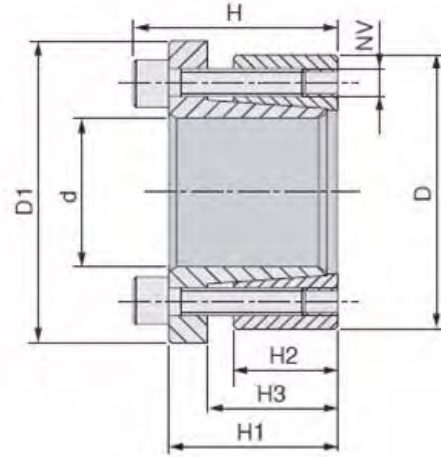
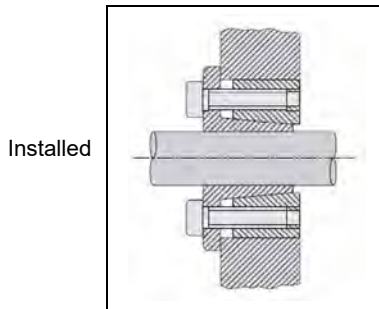
Medium to High Torque

Pre-assembled

Functions as a Press or Shrink Fit

No Loose Set Screws or Keyways

Positioning Shoulder for Drive Component



Models Available

Material: C45E

Part No.	d	D	D1	H	H1	H2	H3	Mounting Screws			Removal Screws		Max Transmitted		Shaft Pressure Pa (N/mm <sup>2</sup> )	Hub Pressure Pm (N/mm <sup>2</sup> )	Wt. kg
								NV	Torque Tv (Nm)	Screws	NV	Screws	Torque Mt (Nm)	Thrust Ta (kN)			
KLAB19/47	19	47	56	34	28	17	22	M6x20	17	5	M6x20	3	243	26	234	94	0.30
KLAB20/47	20	47	56	34	28	17	22	M6x20	17	5	M6x20	3	256	26	222	94	0.30
KLAB22/47	22	47	56	34	28	17	22	M6x20	17	5	M6x20	3	282	26	202	94	0.30
KLAB24/50	24	50	59	34	28	17	22	M6x20	17	6	M6x20	3	368	31	222	106	0.35
KLAB25/50	25	50	59	34	28	17	22	M6x20	17	6	M6x20	3	383	31	213	106	0.33
KLAB28/55	28	55	64	34	28	17	22	M6x20	17	6	M6x20	3	429	31	190	97	0.40
KLAB30/55	30	55	64	34	28	17	22	M6x20	17	6	M6x20	3	460	31	177	97	0.40
KLAB32/60	32	60	69	34	28	17	22	M6x20	17	8	M6x20	4	655	41	222	118	0.45
KLAB35/60	35	60	69	34	28	17	22	M6x20	17	8	M6x20	4	716	41	203	118	0.40
KLAB38/65	38	65	74	34	28	17	22	M6x20	17	8	M6x20	4	778	41	187	109	1.00
KLAB40/65	40	65	74	34	28	17	22	M6x20	17	8	M6x20	4	819	41	178	109	0.40
KLAB45/75	45	75	84	41	33	20	25	M8x25	41	7	M8x25	3	1458	65	212	127	0.75
KLAB50/80	50	80	89	41	33	20	25	M8x25	41	7	M8x25	3	1620	65	191	119	0.80
KLAB55/85	55	85	94	41	33	20	25	M8x25	41	8	M8x25	4	2037	74	199	129	0.80
KLAB60/90	60	90	99	41	33	20	25	M8x25	41	8	M8x25	4	2223	74	182	121	1.00
KLAB65/95	65	95	104	41	33	20	25	M8x25	41	9	M8x25	3	2710	83	189	129	1.02
KLAB70/110	70	110	119	50	40	24	30	M10x30	83	8	M10x30	4	4203	120	211	134	0.70
KLAB75/115	75	115	124	50	40	24	30	M10x30	83	8	M10x30	4	4754	120	197	128	1.80
KLAB80/120	80	120	129	50	40	24	30	M10x30	83	8	M10x30	4	4804	120	184	123	2.00
KLAB85/125	85	125	134	50	40	24	30	M10x30	83	9	M10x30	3	5742	135	195	133	2.10
KLAB90/130	90	130	139	50	40	24	30	M10x30	83	9	M10x30	3	6080	135	184	128	2.00
KLAB95/135	95	135	144	50	40	25	30	M10x30	83	10	M10x30	4	7131	150	194	137	2.20
KLAB100/145	100	145	154	56	44	26	32	M12x35	145	8	M12x35	4	8732	175	198	137	2.85
KLAB110/155	110	155	164	56	44	26	32	M12x35	145	8	M12x35	4	9605	175	180	128	3.00
KLAB120/165	120	165	174	56	44	26	32	M12x35	145	9	M12x35	4	11787	196	186	135	3.50
KLAB130/180	130	180	189	64	52	34	40	M12x35	145	12	M12x35	6	17024	262	175	126	4.90
KLAB140/190	140	190	199	68	54	34	40	M14x40	230	9	M14x40	4	18703	267	166	122	5.00
KLAB150/200	150	200	209	68	54	34	40	M14x40	230	10	M14x40	5	22259	297	172	129	5.85



# Keyless Bushings



## KLBB Series

Self Centering

Quick Installation & Removal

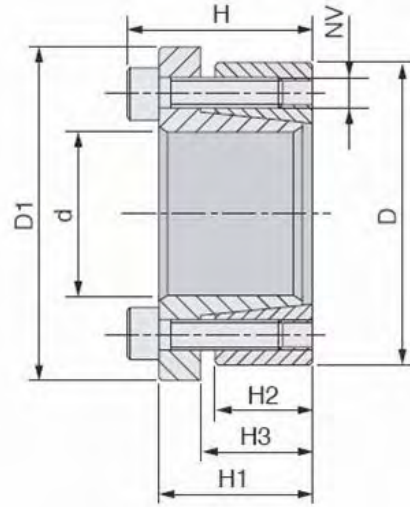
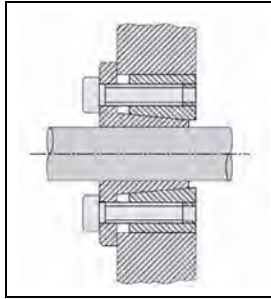
Pre-assembled

Functions as a Press or Shrink Fit

No Loose Set Screws or Keyways

Positioning Shoulder for Drive Component

Installed



Models Available

Material: C45E

Part No.	d	D	D1	H	H1	H2	H3	Mounting Screws			Removal Screws		Max Transmitted		Shaft Pressure Pa (N/mm <sup>2</sup> )	Hub Pressure Pm (N/mm <sup>2</sup> )	Wt. kg
								NV	Torque Tv (Nm)	Screws	NV	Screws	Torque Mt (Nm)	Thrust Ta (kN)			
KLBB14/55	14	55	62	39	31	17	22	M8x25	37	4	M8x25	2	234	33	415	106	0.50
KLBB16/55	16	55	62	39	31	17	22	M8x25	37	4	M8x25	2	268	33	363	106	0.50
KLBB18/55	18	55	62	39	31	17	22	M8x25	41	4	M8x25	2	333	37	357	117	0.50
KLBB19/55	19	55	62	39	31	17	22	M8x25	41	4	M8x25	2	352	37	338	117	0.50
KLBB20/55	20	55	62	39	31	17	22	M8x25	41	4	M8x25	2	370	37	321	117	0.50
KLBB22/55	22	55	62	39	31	17	22	M8x25	41	4	M8x25	2	407	37	292	117	0.45
KLBB24/55	24	55	62	39	31	17	22	M8x25	41	4	M8x25	2	445	37	268	117	0.45
KLBB25/55	25	55	62	39	31	17	22	M8x25	41	4	M8x25	2	463	37	257	117	0.45
KLBB28/55	28	55	62	39	31	17	22	M8x25	41	4	M8x25	2	519	37	229	117	0.41
KLBB30/55	30	55	62	39	31	17	22	M8x25	41	4	M8x25	2	556	37	214	117	0.60
KLBB24/65	24	65	72	39	31	17	22	M8x25	41	5	M8x25	3	556	46	335	124	0.65
KLBB25/65	25	65	72	39	31	17	22	M8x25	41	5	M8x25	3	579	46	321	124	0.40
KLBB28/65	28	65	72	39	31	17	22	M8x25	41	5	M8x25	3	649	46	287	124	0.60
KLBB30/65	30	65	72	39	31	17	22	M8x25	41	5	M8x25	3	695	46	268	124	0.60
KLBB32/65	32	65	72	39	31	17	22	M8x25	41	5	M8x25	3	741	46	251	124	0.60
KLBB33/65	33	65	72	39	31	17	22	M8x25	41	5	M8x25	3	764	46	242	124	0.60
KLBB35/65	35	65	72	39	31	17	22	M8x25	41	5	M8x25	3	811	46	230	124	0.60
KLBB38/65	38	65	72	39	31	17	22	M8x25	41	5	M8x25	3	917	46	211	124	0.50
KLBB40/65	40	65	72	39	31	17	22	M8x25	41	5	M8x25	3	966	46	201	124	0.50
KLBB30/80	30	80	87	41	33	20	25	M8x25	41	7	M8x25	3	972	65	318	119	0.95
KLBB32/80	32	80	87	41	33	20	25	M8x25	41	7	M8x25	3	1037	65	299	119	1.00
KLBB33/80	33	80	87	41	33	20	25	M8x25	41	7	M8x25	3	1069	65	289	119	1.00
KLBB35/80	35	80	87	41	33	20	25	M8x25	41	7	M8x25	3	1134	65	273	119	1.10
KLBB38/80	38	80	87	41	33	20	25	M8x25	41	7	M8x25	3	1231	65	251	119	1.00
KLBB40/80	40	80	87	41	33	20	25	M8x25	41	7	M8x25	3	1296	65	239	119	1.00
KLBB42/80	42	80	87	41	33	20	25	M8x25	41	7	M8x25	3	1361	65	227	119	0.90
KLBB45/80	45	80	87	41	33	20	25	M8x25	41	7	M8x25	3	1458	65	212	119	0.88
KLBB48/80	48	80	87	41	33	20	25	M8x25	41	7	M8x25	3	1555	65	199	119	0.80
KLBB50/80	50	80	87	41	33	20	25	M8x25	41	7	M8x25	3	1720	65	191	119	1.00

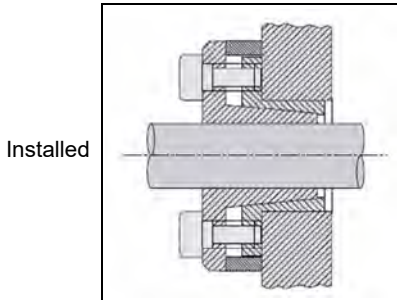
# Keyless Bushings



## KLCC Series

**Self Centering**  
**Quick Installation & Removal**  
**Medium to High Torque**  
**Pre-assembled**

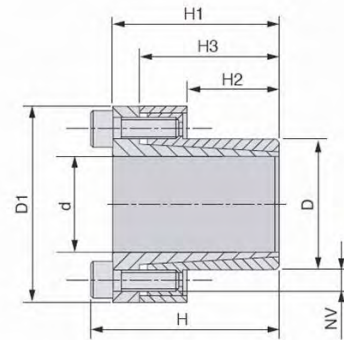
**Functions as a Press or Shrink Fit**  
**No Loose Set Screws or Keyways**  
**Positioning Shoulder for Drive Component**  
**Allows Max Shaft Diameter in Drive Component**



Installed



Models Available



Material: C45E

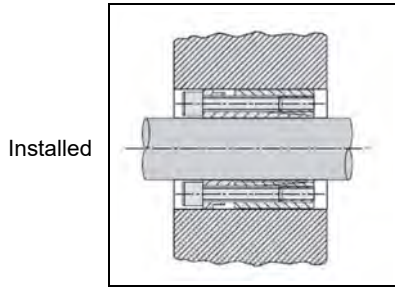
Part No.	d	D	D1	H	H1	H2	H3	Mounting Screws			Removal Screws		Max Transmitted		Shaft Pressure Pa (N/mm <sup>2</sup> )	Hub Pressure Pm (N/mm <sup>2</sup> )	Wt. kg
								NV	Torque Tv (Nm)	Screws	NV	Screws	Torque Mt (Nm)	Thrust Ta (kN)			
KLCC8/15	8	15	28	28	24	12	21	M4x10	5	4	M4x10	3	39	10	299	159	0.07
KLCC9/16	9	16	32	31	27	14	23	M4x12	5	4	M4x12	3	44	10	227	128	0.10
KLCC10/16	10	16	32	31	27	14	23	M4x12	5	4	M4x12	3	49	10	205	128	0.10
KLCC11/18	11	18	34	31	27	14	23	M4x12	5	4	M4x12	3	53	10	186	114	0.10
KLCC12/18	12	18	34	31	27	14	23	M4x12	5	4	M4x12	3	58	10	171	114	0.20
KLCC14/23	14	23	39	31	27	14	23	M4x12	5	4	M4x12	3	68	10	146	89	0.20
KLCC15/24	15	24	45	42	36	16	29	M6x18	17	3	M6x18	2	120	16	196	123	0.24
KLCC16/24	16	24	45	42	36	16	29	M6x18	17	3	M6x18	2	128	16	184	123	0.30
KLCC18/26	18	26	47	44	28	18	31	M6x18	17	4	M6x18	3	191	21	194	134	0.20
KLCC19/27	19	27	48	44	38	18	31	M6x18	17	4	M6x18	3	202	21	183	129	0.20
KLCC20/28	20	28	49	44	38	18	31	M6x18	17	2	M6x18	3	213	21	174	124	0.30
KLCC22/32	22	32	54	51	45	25	38	M6x18	17	4	M6x18	3	234	21	114	78	0.40
KLCC24/34	24	34	56	51	45	25	38	M6x18	17	4	M6x18	3	255	21	105	74	0.50
KLCC25/34	25	34	56	51	45	25	38	M6-18	17	4	M6-18	3	266	21	100	74	0.40
KLCC28/39	28	39	61	51	45	25	38	M6-18	17	5	M6-18	3	373	27	112	81	0.50
KLCC30/41	30	41	63	51	45	25	38	M6x18	17	6	M6x18	3	480	32	126	92	0.60
KLCC32/43	32	43	65	56	50	30	43	M6x18	17	6	M6x18	3	511	32	98	73	0.50
KLCC35/47	35	47	69	56	50	30	43	M6x18	17	8	M6x18	4	747	43	120	89	0.70
KLCC38/50	38	50	72	56	50	30	43	M6x18	17	8	M6x18	4	811	43	110	84	0.70
KLCC40/53	40	53	75	58	52	32	45	M6x18	17	9	M6x18	4	959	48	110	83	0.80
KLCC42/55	42	55	77	58	52	32	45	M6x18	17	9	M6x18	4	1007	48	105	80	0.70
KLCC45/59	45	59	85	72	64	40	56	M8x22	41	8	M8x22	4	1781	79	130	99	1.10
KLCC48/62	48	62	88	72	64	40	56	M8x22	41	8	M8x22	4	1900	79	122	94	1.20
KLCC50/65	50	65	92	82	74	50	66	M8x22	41	10	M8x22	5	2473	99	117	90	1.40
KLCC55/71	55	71	98	82	74	50	66	M8x22	41	10	M8x22	5	2721	99	106	82	1.50
KLCC60/77	60	77	104	82	74	50	66	M8x22	41	10	M8x22	5	2968	99	97	76	1.70
KLCC65/84	65	84	111	82	74	50	66	M8x22	41	10	M8x22	5	3215	99	90	69	2.00
KLCC70/90	70	90	122	101	91	60	80	M10x25	83	8	M10x25	4	4430	127	89	69	3.00
KLCC75/95	75	95	126	101	91	60	80	M10x25	83	9	M10x25	4	5338	142	93	74	3.10
KLCC80/100	80	100	131	106	96	65	85	M10x25	83	12	M10x25	5	7595	190	108	86	3.40
KLCC85/106	85	106	137	106	96	65	85	M10x25	83	12	M10x25	5	8069	190	101	81	3.65
KLCC90/112	90	112	143	106	96	65	85	M10x25	83	14	M10x25	6	9968	222	112	90	4.00
KLCC95/120	95	120	153	106	96	65	85	M10x25	83	14	M10x25	6	10522	222	106	84	4.50
KLCC100/125	100	125	162	114	102	65	89	M12x30	145	12	M12x30	5	13651	273	124	99	5.50
KLCC110/140	110	140	177	119	107	70	94	M12x30	145	12	M12x30	5	15016	273	105	82	7.50
KLCC120/155	120	155	195	139	127	90	114	M12x30	145	16	M12x30	7	21844	364	99	77	10.30
KLCC130/165	130	165	205	139	127	90	114	M12x30	145	16	M12x30	7	23664	364	92	72	11.00
KLCC140/175	140	175	215	139	127	90	114	M12x30	145	16	M12x30	7	25485	364	85	68	12.00
KLCC150/185	150	185	225	139	127	90	114	M12x30	145	16	M12x30	7	27305	364	80	64	13.00

# Keyless Bushings

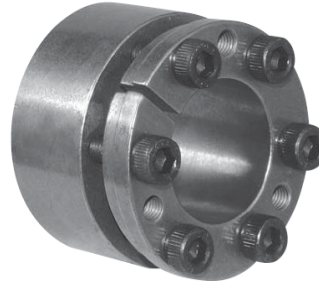


## KLDA Series

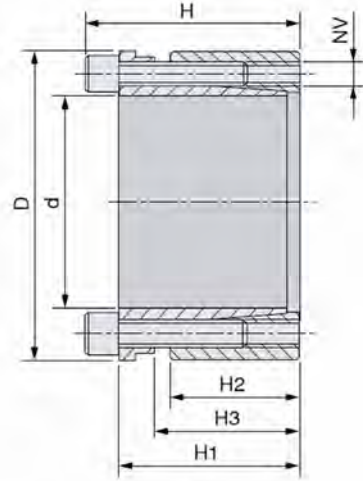
- Self Centering
- Quick Installation & Removal
- High Torque
- Pre-assembled
- Functions as a Press or Shrink Fit
- No Loose Set Screws or Keyways



Installed



Models Available



Material: C45E

Part No.	d	D	H	H1	H2	H3	Mounting Screws			Removal Screws		Max Transmitted		Shaft Pressure Pa (N/mm <sup>2</sup> )	Hub Pressure Pm (N/mm <sup>2</sup> )	Wt. kg
							NV	Torque Tv (Nm)	Screws	NV	Screws	Torque Mt (Nm)	Thrust Ta (kN)			
KLDA19/47	19	47	45	28	17	22	M6x25	17	4	M6x25	2	307	32	193	78	0.50
KLDA20/47	20	47	45	39	26	31	M6x25	17	4	M6x25	2	323	32	183	78	0.50
KLDA22/47	22	47	45	39	26	31	M6x25	17	4	M6x25	2	355	32	166	78	0.20
KLDA24/50	24	50	45	39	26	31	M6x25	17	6	M6x25	3	382	48	229	110	0.50
KLDA25/50	25	50	45	39	26	31	M6x25	17	6	M6x25	3	606	48	220	110	0.40
KLDA28/55	28	55	45	39	26	31	M6x25	17	6	M6x25	3	679	48	196	100	0.50
KLDA30/55	30	55	45	39	26	31	M6x25	17	6	M6x25	3	727	48	183	100	0.50
KLDA32/60	32	60	45	39	26	31	M6x25	17	8	M6x25	4	1033	65	229	122	0.60
KLDA35/60	35	60	45	39	26	31	M6x25	17	8	M6x25	4	1130	65	209	122	0.50
KLDA38/65	38	65	45	39	26	31	M6x25	17	8	M6x25	4	1227	65	193	113	0.70
KLDA40/65	40	65	45	39	26	31	M6x25	17	8	M6x25	4	1292	65	183	113	0.50
KLDA42/75	42	75	55	47	30	36	M8x30	41	6	M8x30	3	1835	87	204	115	1.00
KLDA45/75	45	75	55	47	30	36	M8x30	41	6	M8x30	3	1966	87	191	115	1.00
KLDA48/80	48	80	55	47	30	36	M8x30	41	6	M8x30	3	2097	87	179	107	1.20
KLDA50/80	50	80	55	47	30	36	M8x30	41	6	M8x30	3	2184	87	172	107	1.20
KLDA55/85	55	85	55	47	30	36	M8x30	41	8	M8x30	4	3202	116	208	135	1.10
KLDA60/90	60	90	55	47	30	36	M8x30	41	8	M8x30	4	3493	116	191	127	1.20
KLDA65/95	65	95	55	47	30	36	M8x30	41	8	M8x30	4	3784	116	176	120	1.30
KLDA70/110	70	110	67	57	40	46	M10x35	83	8	M10x35	4	6607	189	199	127	2.70
KLDA75/115	75	115	72	62	40	46	M10x35	83	8	M10x35	4	7079	189	186	121	2.59
KLDA80/120	80	120	72	62	40	46	M10x35	83	8	M10x35	4	7551	189	174	116	2.75
KLDA85/125	85	125	72	62	40	46	M10x35	83	10	M10x35	4	10029	236	205	139	2.80
KLDA90/130	90	130	72	62	40	46	M10x35	83	10	M10x35	4	10619	236	193	134	3.04
KLDA95/135	95	135	72	62	40	46	M10x35	83	10	M10x35	4	11209	236	183	129	3.10
KLDA100/145	100	145	89	77	46	52	M12x45	145	8	M12x45	4	13738	275	176	121	4.69
KLDA110/155	110	155	89	77	46	52	M12x45	145	8	M12x45	4	15111	278	160	114	5.09
KLDA120/165	120	165	89	77	46	52	M12x45	145	10	M12x45	4	20606	343	183	133	5.50
KLDA130/180	130	180	89	77	46	52	M12x45	145	12	M12x45	4	26788	412	203	147	6.80
KLDA140/190	140	190	98	84	51	59	M14x45	230	8	M14x45	4	26142	373	154	114	7.55
KLDA150/200	150	200	98	84	51	59	M14x45	230	10	M14x45	5	35016	467	180	135	8.00

# Keyless Bushings



## KLDB Series

**Self Centering**

**Quick Installation & Removal**

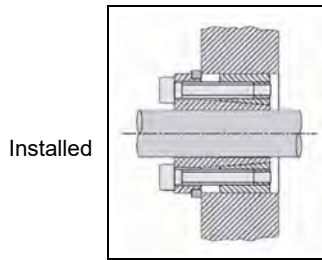
**High Torque**

**Pre-assembled**

**Functions as a Press or Shrink Fit**

**No Loose Set Screws or Keyways**

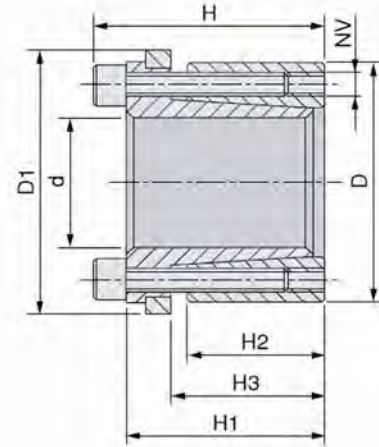
**Positioning Shoulder for Drive Component**



Installed



Models Available



Material: C45E

Part No.	d	D	D1	H	H1	H2	H3	Mounting Screws			Removal Screws		Max Transmitted		Shaft Pressure Pa (N/mm <sup>2</sup> )	Hub Pressure Pm (N/mm <sup>2</sup> )	Wt. kg
								NV	Torque Tv (Nm)	Screws	NV	Screws	Torque Mt (Nm)	Thrust Ta (kN)			
KLDB19/47	19	47	53	45	39	26	31	M6x20	17	4	M6x20	2	202	21	127	51	0.5
KLDB20/47	20	47	53	45	39	26	31	M6x20	17	4	M6x20	2	213	21	121	51	0.4
KLDB22/47	22	47	53	45	39	26	31	M6x20	17	4	M6x20	2	234	21	110	51	0.4
KLDB24/50	24	50	56	45	39	26	31	M6x20	17	6	M6x20	3	384	32	151	73	0.45
KLDB25/50	25	50	56	45	39	26	31	M6x20	17	6	M6x20	3	400	32	145	73	0.4
KLDB28/55	28	55	61	45	39	26	31	M6x20	17	6	M6x20	3	448	32	129	66	0.5
KLDB30/55	30	55	61	45	39	26	31	M6x20	17	6	M6x20	3	480	32	121	66	0.5
KLDB32/60	32	60	66	45	39	26	31	M6x20	17	8	M6x20	4	683	43	151	81	0.55
KLDB35/60	35	60	66	45	39	26	31	M6x20	17	8	M6x20	4	747	43	138	81	0.5
KLDB38/65	38	65	71	45	39	26	31	M6x20	17	8	M6x20	4	811	43	127	74	0.6
KLDB40/65	40	65	71	45	39	26	31	M6x20	17	8	M6x20	4	853	43	121	74	0.6
KLDB42/75	42	75	81	55	47	30	36	M8x30	41	6	M8x30	3	1216	58	135	76	1.0
KLDB45/75	45	75	81	55	47	30	36	M8x30	41	6	M8x30	3	1302	58	126	76	0.9
KLDB48/80	48	80	86	55	47	30	36	M8x30	41	6	M8x30	3	1389	58	119	71	0.65
KLDB50/80	50	80	86	55	47	30	36	M8x30	41	6	M8x30	3	1447	58	114	71	1.5
KLDB55/85	55	85	91	55	47	30	36	M8x30	41	8	M8x30	4	2124	77	138	89	1.05
KLDB60/90	60	90	96	55	47	30	36	M8x30	41	8	M8x30	4	2317	77	127	84	1.2
KLDB65/95	65	95	101	55	47	30	36	M8x30	41	8	M8x30	4	2510	77	117	80	1.3
KLDB70/110	70	110	116	67	57	40	46	M10x35	83	8	M10x35	4	4381	125	132	84	2.3
KLDB75/115	75	115	121	72	62	40	46	M10x35	83	8	M10x35	4	4694	125	123	80	3.0
KLDB80/120	80	120	126	72	62	40	46	M10x35	83	8	M10x35	4	5007	125	115	77	2.8
KLDB85/125	85	125	131	72	62	40	45	M10x35	83	10	M10x35	4	6651	156	136	92	3.0
KLDB90/130	90	130	136	72	62	40	46	M10x35	83	10	M10x35	4	7042	156	128	89	3.0
KLDB95/135	95	135	141	72	62	40	46	M10x35	83	10	M10x35	4	7433	156	121	85	3.2
KLDB100/145	100	145	151	89	77	46	52	M12x45	145	8	M12x45	4	9104	182	117	81	4.5
KLDB110/155	110	155	161	89	77	46	52	M12x45	145	8	M12x45	4	10015	182	106	75	5.5
KLDB120/165	120	165	171	89	77	46	52	M12x45	145	10	M12x45	4	13653	228	122	88	5.6
KLDB130/180	130	180	186	89	77	46	52	M12x45	145	12	M12x45	4	17747	273	135	97	7.0
KLDB140/190	140	190	196	98	84	51	59	M14x45	230	8	M14x45	4	17328	248	102	75	7.8
KLDB150/200	150	200	206	98	84	51	59	M14x45	230	10	M14x45	5	23207	309	119	89	8.15

# Keyless Bushings



## KLEE Series

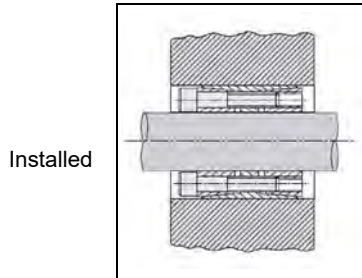
Self Centering

High Torque

Pre-assembled

Functions as a Press or Shrink Fit

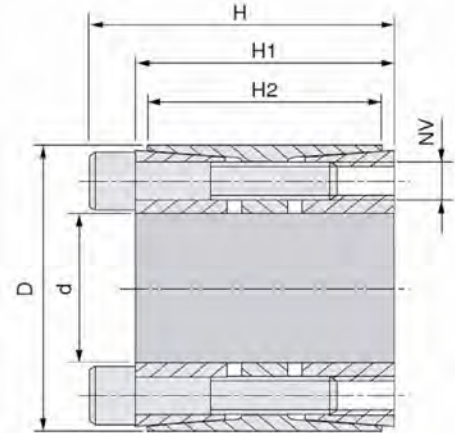
No Loose Set Screws or Keyways



Installed



Models Available



Material: C45E

Part No.	d	D	H	H1	H2	Mounting Screws			Removal Screws		Max Transmitted		Shaft Pressure Pa (N/mm <sup>2</sup> )	Hub Pressure Pm (N/mm <sup>2</sup> )	Wt. kg
						NV	Torque Tv (Nm)	Screws	NV	Screws	Torque Mt (Nm)	Thrust Ta (kN)			
KLEE25/55	25	55	46	40	32	M6x35	17	6	M6x35	3	799	64	314	107	0.5
KLEE28/55	28	55	46	40	32	M6x35	17	6	M6x35	3	895	64	281	107	0.45
KLEE30/55	30	55	46	40	32	M6x35	17	6	M6x35	3	959	64	262	107	0.5
KLEE35/60	35	60	60	54	44	M6x45	41	7	M6x45	3	1306	75	185	83	0.7
KLEE38/75	38	75	62	54	44	M8x50	41	7	M8x50	3	2567	135	308	121	1.1
KLEE40/75	40	75	62	54	44	M8x50	41	7	M8x50	3	2702	135	293	121	1.15
KLEE42/75	42	75	62	54	44	M8x50	41	7	M8x50	3	2837	135	279	121	1.02
KLEE45/75	45	75	62	54	44	M8x50	41	7	M8x50	3	3040	135	260	121	1.05
KLEE48/80	48	80	72	64	56	M8x55	41	8	M8x55	4	3707	154	216	102	1.30
KLEE50/80	50	80	72	64	56	M8x55	41	8	M8x55	4	3861	154	207	102	1.30
KLEE55/85	55	85	72	64	56	M8x55	41	9	M8x55	4	4779	174	212	108	1.50
KLEE60/90	60	90	72	64	56	M8x55	41	10	M8x55	4	5793	193	216	113	1.50
KLEE65/95	65	95	72	64	56	M8x55	41	10	M8x55	4	6276	193	199	107	1.65
KLEE70/110	70	110	88	78	70	M10x60	83	10	M10x60	4	10951	313	235	120	2.9
KLEE75/115	75	115	88	78	70	M10x60	83	10	M10x60	4	11733	313	220	115	3.1
KLEE80/120	80	120	88	78	70	M10x60	83	11	M10x60	4	13768	344	227	121	3.2
KLEE85/125	85	125	88	78	70	M10x60	83	12	M10x60	5	15959	376	233	127	3.4
KLEE90/130	90	130	88	78	70	M10x60	83	12	M10x60	5	16898	376	220	122	3.6
KLEE95/135	95	135	88	78	70	M10x60	83	12	M10x60	5	17837	376	208	117	3.6
KLEE100/145	100	145	112	100	90	M12x80	145	12	M12x80	4	25029	501	211	113	5.9
KLEE110/155	110	155	112	100	90	M12x80	145	12	M12x80	5	30039	546	209	115	6.2
KLEE120/165	120	165	112	100	90	M12x80	145	14	M12x80	6	38226	637	224	127	6.50
KLEE130/180	130	180	130	116	104	M14x90	230	12	M14x90	5	48270	743	201	117	9.6
KLEE140/190	140	190	130	116	104	M14x90	230	14	M14x90	7	60654	866	217	129	10.0
KLEE150/200	150	200	130	116	104	M14x90	230	15	M14x90	7	69628	928	217	132	10.52
KLEE160/210	160	210	130	116	104	M14x90	230	16	M14x90	7	79220	990	217	134	11.10
KLEE170/225	170	225	164	148	134	M16x120	360	14	M16x120	7	100851	1186	206	116	16.5
KLEE180/235	180	235	164	148	134	M16x120	360	15	M16x120	7	114414	1271	208	119	17.0
KLEE190/250	190	250	164	148	134	M16x120	360	16	M16x120	7	128814	1356	210	119	18.0
KLEE200/260	200	260	164	148	134	M16x120	360	16	M16x120	7	135594	1356	200	115	21.0
KLEE220/285	220	285	164	148	134	M16x120	360	18	M16x120	8	167805	1526	204	118	24.9

# Keyless Bushings



## KLFF Series

Self Centering Adapter Mount

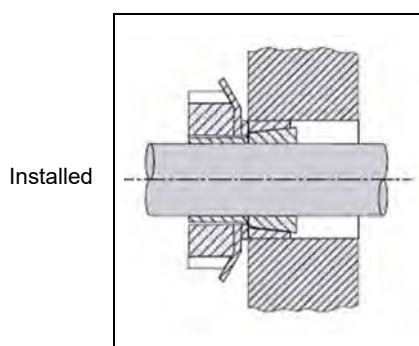
Low to Medium Torque

Pre-assembled, Tighten Nut

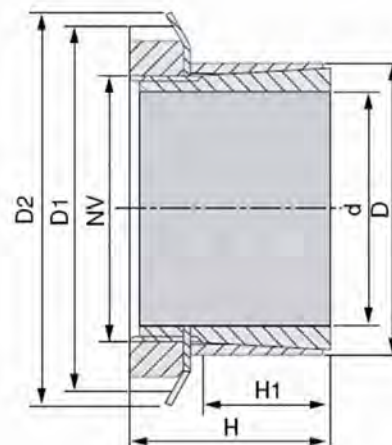
Functions as a Press or Shrink Fit

No Loose Set Screws or Keyways

Tighten Nut & Bend Lock Washer Tab to Secure



Installed



Models Available

Material: C45E

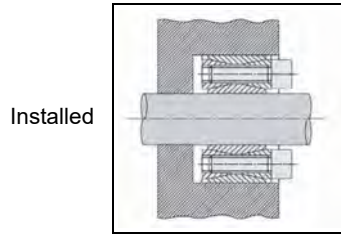
Part No.	d	D	D1	D2	H	H1	Lock Nut		Max Transmitted		Shaft Pressure Ta (N/mm <sup>2</sup> )	Hub Pressure Pm (N/mm <sup>2</sup> )	Wt. kg
							NV	Torque Tv (Nm)	Torque Mt (Nm)	Thrust Ta (kN)			
KLFF15/25	15	25	32	34	21	20	M20x1	95	77	9	91	55	0.10
KLFF18/30	18	30	38	41	33	21	M25x1.5	160	125	13	98	59	0.15
KLFF19/30	19	30	38	41	33	21	M25x1.5	160	132	13	93	59	0.20
KLFF20/30	20	30	38	41	33	21	M25x1.5	160	139	13	88	59	0.20
KLFF24/35	24	35	45	48	38	25	M30x1.5	220	202	15	74	51	0.20
KLFF25/35	25	35	45	48	38	25	M30x1.5	220	210	15	71	51	0.20
KLFF28/40	28	40	52	55	44	28	M35x1.5	340	312	20	76	53	0.30
KLFF30/40	30	40	52	55	44	28	M35x1.5	340	335	20	71	53	0.20
KLFF35/45	35	45	58	61	45	28	M40x1.5	480	483	25	75	58	0.30
KLFF40/50	40	50	65	67	46	28	M45x1.5	680	696	31	82	66	0.35
KLFF45/55	45	55	70	73	47	28	M50x1.5	870	902	36	84	69	0.40
KLFF50/60	50	60	75	81	47	28	M55x2	970	1014	37	77	64	0.40
KLFF55/65	55	65	80	87	48	28	M60x2	1100	1159	38	73	61	0.45
KLFF60/70	60	70	85	93	50	28	M65x2	1300	1379	41	73	62	0.60

# Keyless Bushings

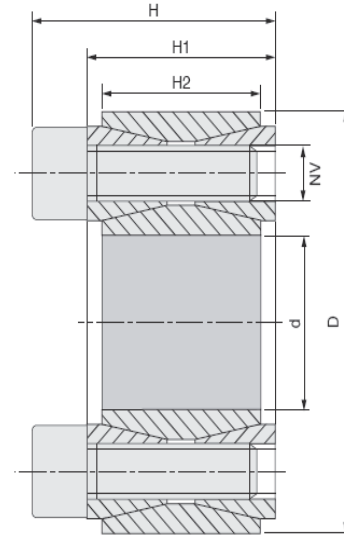


## KLGG Series

- Not Self Centering
- Quick Installation & Removal
- Medium to High Torque
- Pre-assembled
- Functions as a Press or Shrink Fit
- No Loose Set Screws or Keyways



Installed



Material: C45E

Models Available

Part No.	d	D	H	H1	H2	Mounting Screws			Removal Screws		Max Transmitted		Shaft Pressure Pa (N/mm <sup>2</sup> )	Hub Pressure Pm (N/mm <sup>2</sup> )	Wt. kg
						NV	Torque Tv (Nm)	Screws	NV	Screws	Torque Mt (Nm)	Thrust Ta (kN)			
KLGG19/47	19	47	26	20	17	M6x18	14	8	M6x18	2	298	31	286	116	0.25
KLGG20/47	20	47	26	20	17	M6x18	14	8	M6x18	2	313	31	272	116	0.30
KLGG22/47	22	47	26	20	17	M6x18	14	8	M6x18	2	345	31	247	116	0.20
KLGG24/50	24	50	26	20	17	M6x18	14	9	M6x18	3	424	35	255	123	0.21
KLGG25/50	25	50	26	20	17	M6x18	14	9	M6x18	3	441	35	245	123	0.30
KLGG28/55	28	55	26	20	17	M6x18	14	10	M6x18	3	549	39	243	124	0.30
KLGG30/55	30	55	26	20	17	M6x18	14	10	M6x18	3	588	39	227	124	0.40
KLGG32/60	32	60	26	20	17	M6x18	14	12	M6x18	4	758	47	255	136	0.30
KLGG35/60	35	60	26	20	17	M6x18	14	12	M6x18	4	822	47	233	136	0.30
KLGG38/65	38	65	26	20	17	M6x18	14	14	M6x18	4	1042	55	250	146	0.40
KLGG40/65	40	65	26	20	17	M6x18	14	14	M6x18	4	1097	55	238	146	0.40
KLGG42/75	42	75	32	24	20	M8x22	35	12	M8x22	4	1740	83	291	163	0.59
KLGG45/75	45	75	32	24	20	M8x22	35	12	M8x22	4	1864	83	271	163	0.60
KLGG48/80	48	80	32	24	20	M8x22	35	12	M8x22	4	1988	83	254	153	0.50
KLGG50/80	50	80	32	24	20	M8x22	35	12	M8x22	4	2071	83	244	153	0.70
KLGG55/85	55	85	32	24	20	M8x22	35	14	M8x22	4	2658	97	259	168	0.80
KLGG60/90	60	90	32	24	20	M8x22	35	14	M8x22	4	2900	64	238	158	0.80
KLGG65/95	65	95	32	24	20	M8x22	35	16	M8x22	4	3587	110	250	171	0.90
KLGG70/110	70	110	38	28	24	M10x25	70	14	M10x25	4	5345	153	268	171	1.50
KLGG75/115	75	115	38	28	24	M10x25	70	14	M10x25	4	5727	153	250	163	1.30
KLGG80/120	80	120	38	28	24	M10x25	70	14	M10x25	4	6108	153	235	156	1.50
KLGG85/125	85	125	38	28	24	M10x25	70	16	M10x25	4	7417	175	252	172	1.50
KLGG90/130	90	130	38	28	24	M10x25	70	16	M10x25	4	7854	175	238	165	1.50
KLGG95/135	95	135	38	28	24	M10x25	70	18	M10x25	4	9326	196	254	179	1.50
KLGG100/145	100	145	45	33	26	M12x30	125	14	M12x30	4	11362	227	258	178	2.20
KLGG110/155	110	155	45	33	26	M12x30	125	14	M12x30	4	12498	227	234	166	2.40
KLGG120/165	120	165	45	33	26	M12x30	125	16	M12x30	4	15578	260	245	178	2.50
KLGG130/180	130	180	50	38	34	M12x35	125	20	M12x35	4	21095	325	217	156	3.50
KLGG140/190	140	190	50	38	34	M12x35	125	22	M12x35	4	24993	357	221	163	3.70
KLGG150/200	150	200	50	38	34	M12x35	125	24	M12x35	4	29217	390	225	169	4.00
KLGG160/210	160	210	50	38	34	M12x35	125	26	M12x35	4	33756	422	229	174	4.20
KLGG170/225	170	225	58	44	38	M14x40	190	22	M14x40	4	39583	465	212	160	5.50
KLGG180/235	180	235	58	44	38	M14x40	190	24	M14x40	4	45606	507	218	167	5.90
KLGG190/250	190	250	66	52	46	M14x45	190	28	M14x45	4	56163	591	199	152	8.00
KLGG200/260	200	260	66	52	46	M14x45	190	30	M14x45	4	63342	633	203	156	8.40

# Keyless Bushings



## KLHH Series

**Not Self Centering**

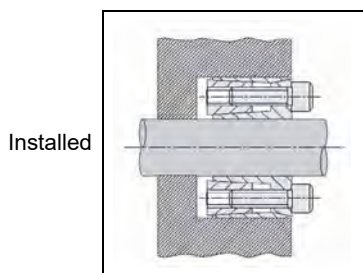
**Quick Installation & Removal**

**Medium to Low Torque**

**Pre-assembled**

**Functions as a Press or Shrink Fit**

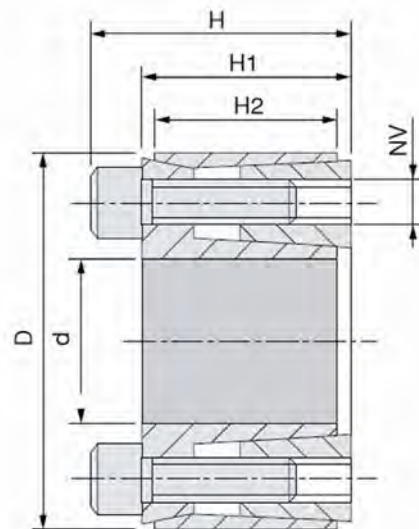
**No Loose Set Screws or Keyways**



Installed



Models Available



Material: C45E

Part No.	d	D	H	H1	H2	Mounting Screws			Removal Screws		Max Transmitted		Shaft Pressure Pa (N/mm <sup>2</sup> )	Hub Pressure Pm (N/mm <sup>2</sup> )	Wt. kg
						NV	Torque Tv (Nm)	Screws	NV	Screws	Torque Mt (Nm)	Thrust Ta (kN)			
KLHH18/40	18	40	24	18	14.7	M6x16	17	4	M6x16	2	165	18	185	83	0.15
KLHH19/41	19	41	24	18	14.7	M6x16	17	4	M6x16	2	174	18	176	81	0.15
KLHH20/42	20	42	24	18	14.7	M6x16	17	4	M6x16	2	183	18	167	79	0.10
KLHH24/46	24	46	24	18	14.7	M6x16	17	6	M6x16	3	329	27	209	109	0.20
KLHH25/47	25	47	24	18	14.7	M6x16	17	6	M6x16	3	343	27	200	106	0.20
KLHH28/50	28	50	24	18	14.7	M6x16	17	6	M6x16	3	384	27	179	100	0.20
KLHH30/52	30	52	24	18	14.7	M6x16	17	6	M6x16	3	412	27	167	96	0.20
KLHH35/57	35	57	28	22	18	M6x18	17	6	M6x18	3	480	27	117	78	0.20
KLHH38/60	38	60	28	22	18	M6x18	17	8	M6x18	4	695	37	143	91	0.25
KLHH40/62	40	62	28	22	18	M6x18	17	8	M6x18	4	732	37	136	88	0.30
KLHH42/70	42	70	36	28	23.5	M8x25	42	8	M8x25	4	1427	68	185	111	0.50
KLHH45/73	45	73	36	28	23.5	M8x25	42	8	M8x25	4	1529	68	172	106	0.55
KLHH48/76	48	76	36	28	23.5	M8x25	42	8	M8x25	4	1631	38	161	102	0.55
KLHH50/78	50	78	36	28	23.5	M8x25	42	8	M8x25	4	1699	68	155	99	0.60
KLHH55/83	55	83	36	28	23.5	M8x25	42	8	M8x25	4	1869	68	141	93	0.55
KLHH60/88	60	88	36	28	23.5	M8x25	42	8	M8x25	4	2039	68	129	88	0.60
KLHH70/110	70	105	45	35	30	M10x30	83	8	M10x30	4	3759	107	137	91	1.12
KLHH80/115	80	115	45	35	30	M10x30	83	8	M10x30	4	4296	107	120	83	1.30

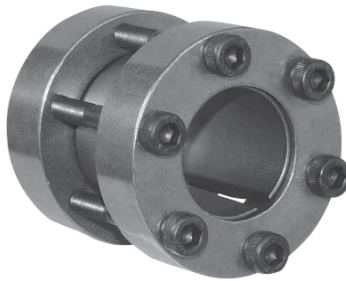
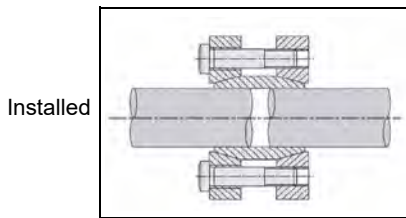


# Keyless Bushings

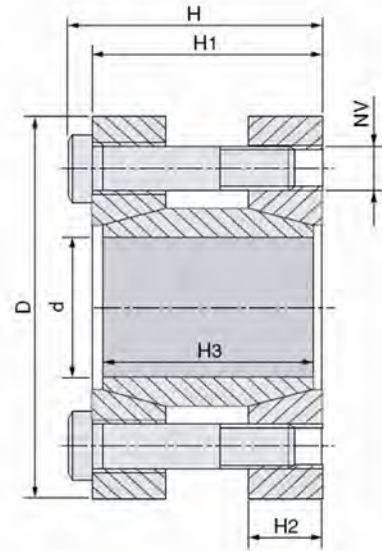


## KLMM Series

- Not Self Centering
- Quick Installation & Removal
- Medium to High Torque
- Pre-assembled
- Functions as a Press or Shrink Fit
- No Loose Set Screws or Keyways
- Can be Applied as a Rigid Coupling



Models Available



Material: C45E

Part No.	d	D	H	H1	H2	H3	Mounting Screws			Max Transmitted		Shaft Pressure Pa (N/mm <sup>2</sup> )	Wt. kg
							NV	Torque Tv (Nm)	Screws	Torque Mt (Nm)	Thrust Ta (kN)		
KLMM17/50	17	50	56	50	16	44	M6x45	17	4	179	21	166	0.50
KLMM18/50	18	50	56	50	16	44	M6x45	17	4	190	21	157	0.51
KLMM19/50	19	50	56	50	16	44	M6x45	17	4	200	21	149	0.50
KLMM20/50	20	50	56	50	16	44	M6x45	17	4	211	21	141	0.50
KLMM24/55	24	55	66	60	18.5	54	M6x55	17	6	378	32	144	0.70
KLMM25/55	25	55	66	60	18.5	54	M6x55	17	6	394	32	138	0.70
KLMM28/60	28	60	66	60	18.5	54	M6x55	17	6	442	32	123	0.75
KLMM30/60	30	60	66	60	18.5	54	M6x55	17	6	473	32	115	0.50
KLMM32/63	32	63	66	60	18.5	54	M6x55	17	6	505	32	108	0.90
KLMM35/75	35	75	83	75	22	67	M8x70	42	4	682	39	98	2.50
KLMM38/75	38	75	83	75	22	67	M8x70	42	4	741	39	90	1.40
KLMM40/75	40	75	83	75	22	67	M8x70	42	4	780	39	86	1.40
KLMM42/78	42	78	83	75	22	67	M8x70	42	4	819	39	82	1.40
KLMM45/85	45	85	93	85	24.5	76	M8x80	42	6	1317	59	101	2.00
KLMM48/90	48	90	93	85	24.5	76	M8x80	42	6	1405	59	95	2.20
KLMM50/90	50	90	93	85	24.5	76	M8x80	42	6	1463	59	91	2.10
KLMM55/94	55	94	93	85	24.5	76	M8x80	42	8	2147	78	110	2.20
KLMM60/100	60	100	93	85	24.5	76	M8x80	42	8	2343	78	101	2.50
KLMM65/105	65	105	93	85	24.5	76	M8x80	42	8	2538	78	93	2.50
KLMM70/115	70	115	110	100	29	90	M10x95	83	8	4321	123	116	3.80

# Keyless Bushings



## KLNN Series

**Not Self Centering**

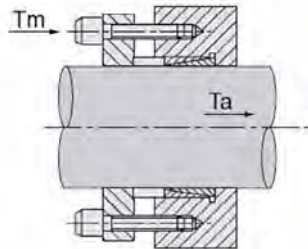
**Quick Installation & Removal**

**Medium to High Torque**

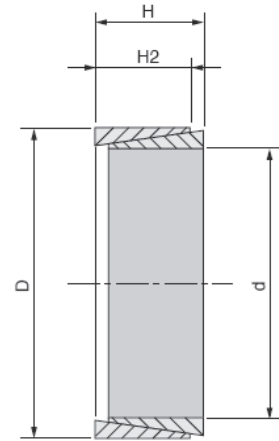
**Minimum Radial Thickness Allows for Max Shaft**

**Functions as a Press or Shrink Fit**

**No Loose Set Screws or Keyways**



Models Available



Material: C45E

Part No.	d	D	H	H2	Max Allowable	Max Transmitted	Max Allowable	Shaft Pressure Pa (N/mm <sup>2</sup> )	Hub Pressure Pm (N/mm <sup>2</sup> )	Wt. kg
					Force Ta (kN)	Torque Mt (Nm)	Force Tm (Kn)			
KLNN8/11	8	11	4.5	3.7	1.1	4.2	5.0	100	70	0.001
KLNN9/12	9	12	4.5	3.7	1.3	5.8	13.3	100	79	0.002
KLNN10/13	10	13	4.5	3.7	1.5	7.6	14.4	100	86	0.002
KLNN12/15	12	15	4.5	3.7	1.7	9.9	14.5	100	80	0.002
KLNN14/18	14	18	6.3	5.3	2.7	18.9	23.8	100	77	0.004
KLNN15/19	15	19	6.3	5.3	2.9	22.1	24.5	100	79	0.01
KLNN16/20	16	20	6.3	5.3	3.2	25.4	24.5	100	81	0.01
KLNN18/22	18	22	6.3	5.3	3.5	31.8	25.3	100	82	0.01
KLNN19/24	19	24	6.3	5.3	3.8	35.8	29.7	100	80	0.01
KLNN20/25	20	25	6.3	5.3	3.9	38.8	30.1	100	79	0.01
KLNN22/26	22	26	6.3	5.3	4.4	47.9	28.9	100	86	0.01
KLNN24/28	24	28	6.3	5.3	4.7	56.4	30.0	100	86	0.01
KLNN25/30	25	30	6.3	5.3	4.9	61.7	32.4	100	84	0.01
KLNN28/32	28	32	6.3	5.3	5.5	77.4	32.6	100	88	0.01
KLNN30/35	30	35	6.3	5.3	5.9	88.2	35.5	100	86	0.01
KLNN32/36	32	36	6.3	5.3	6.2	100.0	37.0	100	88	0.05
KLNN35/40	35	40	7.0	6.0	7.8	136.0	46.0	100	88	0.01
KLNN38/44	38	44	7.0	6.0	8.5	161.0	50.0	100	87	0.02
KLNN40/45	40	45	8.0	6.6	9.8	195.0	59.0	100	89	0.02
KLNN42/48	42	48	8.0	6.6	10.2	215.0	63.0	100	87	0.02
KLNN45/52	45	52	10.0	8.6	14.3	323.0	92.0	100	87	0.04
KLNN48/55	48	55	10.0	8.6	15.3	367.0	95.0	100	88	0.04
KLNN50/57	50	57	10.0	8.6	15.9	397.0	97.0	100	88	0.5
KLNN55/62	55	62	10.0	8.6	17.4	479.0	102.0	100	88	0.05
KLNN60/68	60	68	12.0	10.4	23.0	691.0	133.0	100	88	0.07
KLNN65/73	65	73	12.0	10.4	25.0	814.0	140.0	100	89	0.08
KLNN70/79	70	79	14.0	12.2	32.0	1107.0	176.0	100	89	0.10
KLNN75/84	75	84	14.0	12.2	34.0	1266.0	190.0	100	89	0.12
KLNN80/91	80	91	17.0	15.0	44.0	1769.0	251.0	100	89	0.20
KLNN90/101	90	101	17.0	15.0	50.0	2240.0	272.0	100	89	0.21
KLNN100/114	100	114	21.0	18.7	70.0	3452.0	378.0	100	89	0.37
KLNN110/124	110	124	21.0	18.7	76.0	4178.0	415.0	100	89	0.40
KLNN120/134	120	134	21.0	18.7	83.0	4967.0	440.0	100	89	0.45
KLNN130/148	130	148	28	25.3	122.0	7896.0	654.0	100	89	0.85
KLNN140/158	140	158	28	25.3	131.0	9146.0	689.0	100	89	0.90
KLNN150/168	150	168	28	25.3	140.0	10505.0	727.0	100	89	1.00

# Keyless Bushings

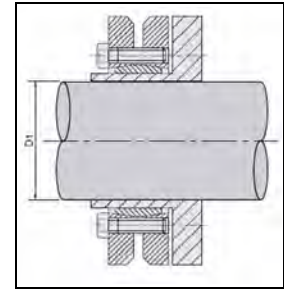
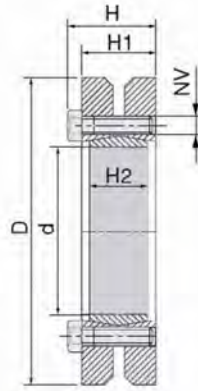


## KLPP Series

- Not Self Centering
- Quick Installation & Removal
- Medium to Low Torque
- Pre-assembled
- Functions as a Press or Shrink Fit
- No Loose Set Screws or Keyways



Models Available



Installed

Material: C45E

Part No.	d	D	D1	H	H1	H2	Mounting Screws			Max Transmitted		Shaft Pressure Pa (N/mm <sup>2</sup> )	Wt. kg
							NV	Torque Tv (Nm)	Screws	Torque Mt (Nm)	Thrust Ta (kN)		
KLPP24/50	24	50	19	23	19.5	14	M5x18	4	6	216	23	286	0.20
			20							265	27		
			21							314	30		
KLPP30/60	30	60	24	25	21.5	16	M5x18	4	7	372	31	233	0.25
			25							421	34		
			26							461	36		
KLPP36/72	36	72	26	27.5	23.5	18	M6x20	12	5	471	36.3	307	0.50
			28							560	39.3		
			30							713	47.5		
KLPP44/48	44	48	32	29.5	25.5	20	M6x20	12	7	925	57.8	317	0.60
			35							1175	67.1		
			36							1275	70.8		
KLPP50/90	50	90	38	31.5	27.5	22	M6x25	12	8	1313	69.1	289	0.87
			40							1638	81.9		
			42							1925	91.7		
KLPP55/100	55	100	42	34.5	30.5	23	M6x25	12	8	1450	69	252	1.15
			45							1900	84.4		
			48							2350	97.9		
KLPP62/110	62	110	48	34.5	30.5	23	M6x25	12	10	2775	116	279	1.50
			50							3275	131		
			52							3613	139		
KLPP68/115	68	115	50	34.5	30.5	23	M6x25	12	10	2500	100	255	1.40
			55							3125	114		
			60							3938	131		
KLPP75/138	75	138	55	37.8	32.5	25	M8x30	30	7	3125	114	273	2.00
			60							4000	133		
			65							4939	152		
KLPP80/145	80	145	60	37.8	32.5	25	M8x30	30	7	4000	133	256	2.60
			65							4875	150		
			70							5750	164		
KLPP90/155	90	155	65	44.3	39.0	30	M8x35	30	10	5938	183	271	3.50
			70							7500	214		
			75							9063	242		
KLPP100/170	100	170	70	49.3	44.0	34	M8x35	30	12	8625	246	258	4.50
			75							9375	250		
			80							11250	281		
KLPP110/185	110	185	75	56.4	50.0	39	M10x40	59	9	9000	240	244	6.10
			80							11250	281		
			85							13500	318		
KLPP125/215	125	215	85	60.4	54.0	42	M10x40	59	12	13750	324	266	8.85
			90							16250	361		
			95							18750	395		
KLPP140/230	140	230	95	68.0	60.5	46	M12x45	100	10	18875	397	264	10.85
			100							22000	440		
			105							25125	479		
KLPP155/265	155	265	105	72.0	64.5	50	M12x50	100	12	27500	524	263	16.00
			110							31250	568		
			115							35000	609		
KLPP165/290	165	290	115	81.0	71.0	56	M16x55	250	8	38750	674	377	22.05
			120							43750	729		
			125							48750	780		

Note: \*Unit will accommodate the listed shaft diameters.

# Keyless Bushings



## KLRR Series

Self Centering

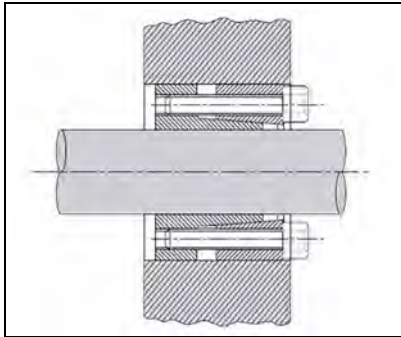
Quick Installation & Removal

Medium to High Torque

Pre-assembled

Functions as a Press or Shrink Fit

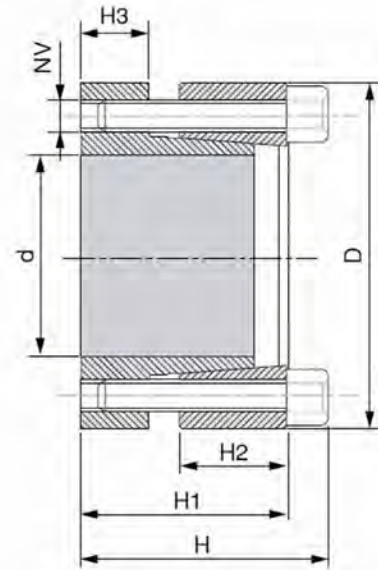
No Loose Set Screws or Keyways



Installed



Models Available



Material: C45E

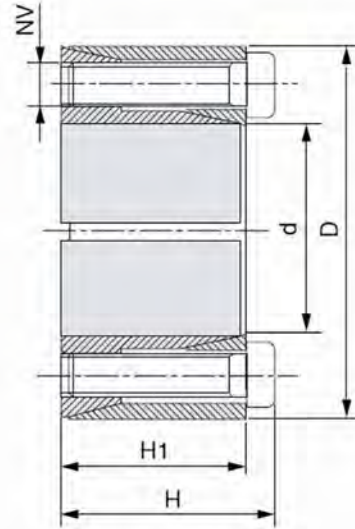
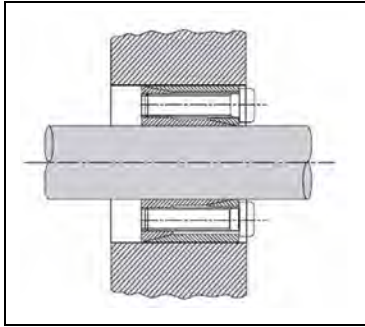
Part No.	d	D	H	H1	H2	H3	Mounting Screws			Removal Screws		Max Transmitted		Shaft Pressure Pa (N/mm <sup>2</sup> )	Hub Pressure Pm (N/mm <sup>2</sup> )	Wt. kg
							NV	Torque Tv (Nm)	Screws	NV	Screws	Torque Mt (Nm)	Thrust Ta (kN)			
KLRR20/47	20	47	34	28	14	10	M6x25	13	5	M6x25	3	294	29	328	139	0.31
KLRR22/47	22	47	34	28	14	10	M6x25	13	5	M6x25	3	455	38	353	169	0.29
KLRR24/50	24	50	34	28	14	10	M6x25	14	6	M6x25	3	455	38	353	169	0.32
KLRR25/50	25	50	34	28	14	10	M6x25	14	6	M6x25	3	474	38	338	169	0.32
KLRR30/55	30	55	34	28	14	10	M6x25	14	6	M6x25	3	569	38	282	154	0.36
KLRR35/60	35	60	34	28	14	10	M6x25	14	8	M6x25	4	885	51	322	188	0.38
KLRR38/65	38	65	34	28	14	10	M6x25	14	8	M6x25	4	961	51	297	174	0.42
KLRR40/65	40	65	34	28	14	10	M6x25	14	8	M6x25	4	1012	51	282	174	0.44
KLRR42/75	42	75	43	35	18	12	M8x30	32	7	M8x30	4	1594	76	313	176	0.76
KLRR45/75	45	75	43	35	18	12	M8x30	32	7	M8x30	4	1707	76	293	176	0.71
KLRR50/80	50	80	43	35	18	12	M8x30	32	7	M8x30	4	1897	76	263	165	0.78
KLRR55/85	55	85	43	35	18	12	M8x30	32	8	M8x30	4	2387	87	274	177	0.83
KLRR60/90	60	90	43	35	18	12	M8x30	32	8	M8x30	4	2604	87	251	167	0.90
KLRR65/95	65	95	43	35	18	12	M8x30	32	9	M8x30	4	3172	98	260	178	0.96
KLRR70/110	70	110	56	46	24	16	M10x40	65	8	M10x40	4	4937	141	262	167	1.71

# Keyless Bushings



## KLSS Series

- Self Centering
- Quick Installation & Removal
- Medium to Low Torque
- Pre-assembled
- Functions as a Press or Shrink Fit
- No Loose Set Screws or Keyways



Models Available

Material: C45E

Part No.	d	D	H	H1	Mounting Screws			Removal Screws		Max Transmitted		Shaft Pressure Pa (N/mm <sup>2</sup> )	Hub Pressure Pm (N/mm <sup>2</sup> )	Wt. kg
					NV	Torque Tv (Nm)	Screws	NV	Screws	Torque Mt (Nm)	Thrust Ta (kN)			
KLSS10/20	10	20	16	13	M2.5x12	1.2	4	M2.5x12	2	19	3.8	89	45	.02
KLSS11/22	11	22	16	13	M2.5x12	1.2	4	M2.5x12	2	21	3.8	81	41	.02
KLSS12/22	12	22	16	13	M2.5x12	1.2	4	M2.5x12	2	23	3.8	75	41	.02
KLSS14/26	14	26	20	17	M3x16	2.1	4	M3x16	2	39	5.5	71	38	.04
KLSS15/28	15	28	20	17	M3x16	2.1	4	M3x16	2	42	5.5	66	35	.05
KLSS16/32	16	32	21	17	M4x16	4.9	4	M4x16	2	77	9.6	107	54	.07
KLSS17/35	17	35	25	21	M4x20	4.9	4	M4x20	2	82	9.6	81	40	.11
KLSS18/35	18	35	25	21	M4x20	4.9	4	M4x20	2	87	9.6	77	40	.10
KLSS19/35	19	35	25	21	M4x20	1.9	4	M4x20	2	91	9.6	73	40	.10
KLSS20/38	20	38	26	21	M5x20	10.0	4	M5x20	2	157	15.7	113	60	.12
KLSS22/40	22	40	26	21	M5x20	10.0	4	M5x20	2	173	15.7	103	57	.12
KLSS24/47	24	47	32	26	M6x24	17	4	M6x24	2	268	22.3	110	56	.21
KLSS25/47	25	47	32	26	M6x24	17	4	M6x24	2	279	22.3	105	56	.21
KLSS28/50	28	50	32	26	M6x24	17	6	M6x24	3	468	33.5	141	79	.21
KLSS30/55	30	55	32	26	M6x24	17	6	M6x24	3	502	33.5	132	72	.26
KLSS32/55	32	55	32	26	M6x24	17	6	M6x24	3	535	33.5	123	72	.25
KLSS35/60	35	60	37	31	M6x28	17	8	M6x28	4	781	44.6	125	73	.36
KLSS38/65	38	65	37	31	M6x28	17	8	M6x28	4	848	44.6	115	67	.43
KLSS40/65	40	65	37	31	M6x28	17	8	M6x28	4	892	44.6	110	67	.41
KLSS42/75	42	75	44	36	M8x34	41	6	M8x34	3	1272	60.6	122	68	.73
KLSS45/75	45	75	44	36	M8x34	41	6	M8x34	3	1363	60.6	113	68	.68
KLSS48/80	48	80	44	36	M8x34	41	8	M8x34	4	1938	80.8	142	85	.74
KLSS50/80	50	80	44	36	M8x34	41	8	M8x34	4	2019	80.8	136	85	.71

# Metric Spur Gears & Racks

## Module Sizes 1-8



Hub Type



Plate Type



Gear Rack

### Gear Rack Module Sizes



### Bore Types & Options



Pilot Bore



Bored to Size with keyway & set screw



Interference fit



Keyless locking device

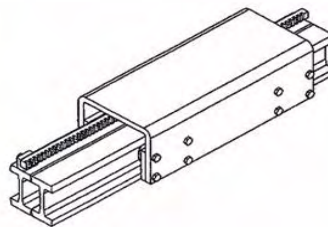
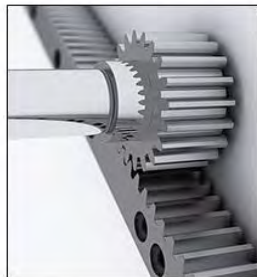
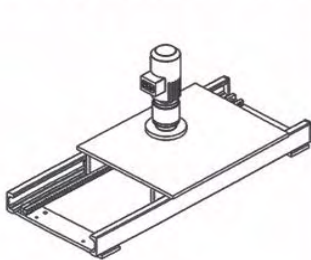


Weld-On Hub & Tapered Bushing



Bolt on Hub for Bushing

### Applications - Linear Motion Control



# Spur Gear and Gear Rack Basics



There is a wide range of parameters that influence the selection of gears. Strength of the gear tooth and service factors are most important to consider. This is also known as the bending strength of the tooth as allowed by the stress at the tooth root under load from the mating gear. Surface durability is another, which can be described as the allowable tangential force transmitted safely at the pitch circle. Proper lubrication of the gears will also enhance the life of the working gears and extend service life. Selecting the proper lubricant and ensuring adequate re-lubrication are also important considerations.

Surface speed of the mating gears is another factor to consider. Unlike enclosed gears that are typically flooded in a lubricant, open gears are more subject to contamination and less lubricant. Other factors that influence selection include operating temperature, moisture, gear alignment, duty cycle and application shock loads.



As speeds increase, whether on mating circular gears for rotational motion or for gear racks and pinion gears that create linear

motion, higher speeds may require ground gears for more precise and quiet movement. Minimizing the backlash, which is the space between the non-contact side of mating gear teeth, may require gears sets with a precision fit.

Experience also plays an important role, especially when evaluating design improvements. Consider existing applications and results concerning life and tooth wear can be a good guide to improve similar applications. Gear life is generally extended with hardened teeth, when contamination has been minimized and when proper lubrication has been maintained. Therefore, no one selection criteria can yield the ideal size, so considering all the

## Gear Terms

- Addendum:** The height of the tooth measured above the pitch circle.
- Backlash:** The play (distance) between mating teeth at the pitch circle.
- Center Distance:** The distance between centers of mating gears.
- Circular Pitch:** Arc length of the pitch circle between the centers of other corresponding points of adjacent teeth.  $\text{Circular Pitch} = 3.14159 / \text{Diametral Pitch}$ .
- Clearance:** The radial distance or separation between the top of one tooth and the bottom of the mating tooth space.
- Crown:** The face of each gear tooth having a slight outward bulge and thinner on each end. This feature helps accommodate slight misalignments of gear teeth or shafts on which they are mounted.
- Dedendum:** The depth of the tooth measured below the pitch circle.
- Diametral Pitch:** The ratio of the number of teeth to the number of inches of pitch diameter.  $\text{Diametral Pitch} = 3.14159 / \text{Circular Pitch}$ .



divided by the number of teeth in driving gear.

- External Gears:** Gears with teeth cut on the outside.
- Face Width:** The axial tooth length.
- Tooth Flank:** The surface between the pitch circle and the bottom of the tooth space.
- Flank:** The working, or contacting, side of the gear tooth.
- Gear Center:** The center of the pitch circle of the gear.
- Gear Ratio:** The ratio of the number of teeth in mating gear sets. Usually it is the number of teeth in the driven gear

possible application conditions will yield the best product choice. The following selection criteria will discuss typical gear tooth physical parameters and terms. These are industry standard terms, and are intended to form a basis for gear selection. Gears transmit torque and can maintain a rotational or linear speed. Hence, they are very popular and an inexpensive choice for power transmission or for controlling linear motion.

The gears in this catalog are 20° pressure angle and are metric by design. They are available with and without hubs and can fit onto the shaft by a variety of ways. The formulas and selection criteria will be the same regardless of whether these are inch or metric parameters. Metric gears are necessary for proper part replacement on European equipment and suggested for use on machinery destined for global end use markets where metric replacements may be found easier.



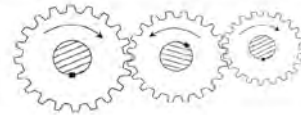
Hub Type



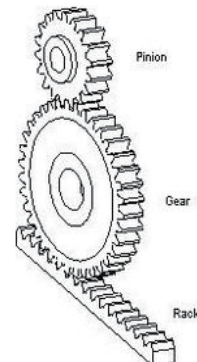
Plate Type

Typical applications include Machine Tools, Heavy Machinery, Packaging Equipment, Lifts, Positioning Equipment, Robotics, Linear Control Equipment and more.

So whether controlling rotational motion, or converting rotational to linear motion, or even clockwise to counter clockwise movement, spur gears offer an economical means for controlling, converting and managing motion efficiently and effectively.



- Line of Centers:** Connects the centers of the pitch circles of two mating gears
- Outside Diameter:** (External gears) The distance from the top of one tooth to the top of a tooth opposite measured through the axis of the gear.  $\text{Outside Diameter} = \text{Number of Teeth} + 2 / \text{Diametral Pitch}$ .
- Pitch:** The distance between similar, equally spaced tooth surfaces along a given line or curve.
- Pitch Circle:** Circle where mating gear contact occurs. Pitch circles are tangent in mating gears.
- Pitch Diameter:** The diameter of the pitch circle.  $\text{Pitch Diameter} = \text{Number of Teeth} / \text{Diametral Pitch}$ .
- Point of Contact:** Any point at which two tooth profiles touch each other.
- Pressure Angle:** The angle between a tangent to the tooth profile and a line perpendicular to the pitch surface. Standard gears are either 14-1/2° or 20° degree.
- Root Diameter:** The distance from the bottom of one tooth to the bottom of a tooth opposite measured through the axis of the gear.
- Tooth Thickness:** The thickness of a tooth at the pitch circle.
- Tooth Surface Area:** The contact sides or faces of a gear tooth, or the area including the tooth face and the tooth flank.
- Shaft Angle:** The angle between the axis of two non-parallel gear shafts. This is often referred to as misalignment.
- Spur Gears:** Gears with straight teeth are always parallel to the axis of rotation.



# Spur Gear Selection

## Formulas & Criteria

The following criteria will provide a guide to gear selection. Steel spur gears in this catalog are from C45 (C1045) material not hardened. Know there can be many factors in selecting the right and exact gear to match expectations, requirements and criteria. Below are some of the basic parameters that will begin to help select the right gear. For a loading guide, the rolling stress load on the tooth  $\sigma = 589 \text{ N/mm}^2$  and allowable bending stress  $\sigma = 200 \text{ N/mm}^2$ .

**Gear Strength:** Choose the spur gear based on gear strength. The permissible bending strength of a gear is referred to as the allowable tangential force at the pitch circle and relates to the allowable load on the tooth and resulting bending stress in the root of the tooth under load.

**Surface Durability** is the safe force on the tooth without any occurrence of surface failures. Lubrication will be an important consideration for the teeth that mesh to keep working surfaces lubricated. Speed of the gears in mesh will also play a role as will the type of lubrication.

**Selection:** The next step is to make an estimated selection based on the torque load. Allowable torque for each gear is listed in the catalog pages for each gear. Different manufacturers may use different loading criteria based on service factors and material stress levels. These published torque ratings are intended as a guide.

## Selection Formulas (Metric & Inch Units)

Description	Formula	Dimension (Units)
Number of Teeth	$z = D_p / m$	—
Module	$m = p / \pi = D_p / z$	—
Pitch Diameter	$D_p = z \cdot m$	mm
Tooth Pitch	$p$	mm
Face Width	$h$	mm
Addendum Dia.	$D_e = (z + 2) \cdot m$	mm
Pressure Angle	$\alpha$	degree
Gear Ratio	$r = z_2 / z_1 = n_1 / n_2$	—
Center Distance	$c = (D_{p1} + D_{p2}) / 2 = (z_1 + z_2) \cdot m / 2$	mm
Torque	$T = 9950 \cdot P / n$	Nm
Power	$P$	kw
Speed	$n$	rpm
Rim Speed	$v = (Z_1 \cdot m \cdot n_1) / 19100 = \pi \cdot D_e \cdot n / 60,000$	m/sec
Pi	$\pi = 3.1415$	—
E-modulus	$2.1 \cdot 10^5$	N/mm <sup>2</sup>
Horsepower	$HP = (T_1 \times n) / 63025$	HP
Torque	$T_1$	in - lbs
Torque	$T_1 = F \times R$	in - lbs
Radius or moment arm	$R$	in
Force	$F$	lbs
Inch		

### Linear Motion (Rack & Pinion) Formulas

Acceleration	$a = V / t$	m/sec <sup>2</sup>
Time	$t$	sec
Tangential Acceleration Force (for lifting axis)	$F_T = (m \cdot g) + (m \cdot a)$	lb
Tangential Acceleration Force (for driving axis)	$F_T = (m \cdot g \cdot \mu) + (m \cdot a)$	lb
Coefficient of Friction of axis	$\mu$	—
Mass	$m$	lb • sec <sup>2</sup> / in
Acceleration due to gravity	$g$	386 in / sec <sup>2</sup>

**Gear Size** is generally proportional to the load capacity. A hardened gear will have more load capacity, but may have less flexibility for absorbing or allowing shock loads or other application requirements. Ground gears will also improve positioning accuracy.

**Load or Service Factors** for external dynamic loads will also influence the operation and life of the gear. The following service factors that can be applied to the load will help extend service life.

**Lubrication:** For peripheral speeds less than 0.5 m/s grease will suffice, for peripheral speeds above 0.5 m/s oil should be considered. Safety Factors should be considered for safe working loads.

**Speeds:** C45 Spur Gears that are milled (un-ground) can be applied at rim speeds up to 12 m/s. As a comparison, ground gears can be applied to 25 m/s. Hardened gears that are milled usually have max limits of 8 m/s due to tooth distortion from the tooth hardening process. Consider multiple stages of gear sets for high reductions.

**Noise Considerations:** milled gears are quietest when held to 5 m/s rim speed. Ground gears would be suggested for more continuous operation primarily for minimizing noise. Also low speed applications, manual drives and pinions with 8-12 teeth can be used. For gears with higher demands, 25 teeth or more should be used.

**Note:** Metric gear ratings are in metric units. Standard Gear formulas and HP-Torque formulas are to the left and formula conversion factors are given below. Care should be taken to ensure unit conversions are accurate.

## Service Factors

Drive	Uniform Load Factor	Medium Shock Load Factor	Heavy Shock Load Factor
Uniform	1.0	1.25	1.75
Light Shock	1.25	1.5	2.0
Medium Shock	1.5	1.75	2.25

## Conversion Factors:

1 Newton N = 0.2248 lbs

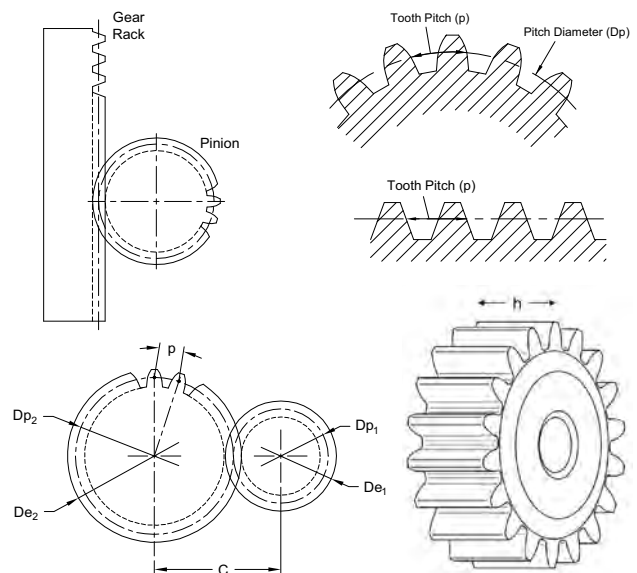
1 Newton N = 0.102 Kg

1 Kilogram kg = 2.2 lbs

1 HP = 0.746 Kilowatt (kw)

1 meter m = 3.28 Ft = 39.4 inches

1 inch = 25.4mm



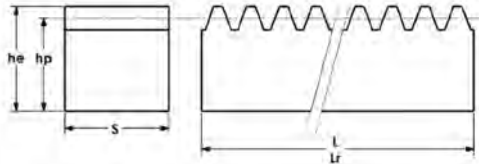
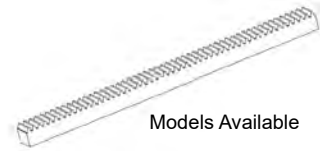


# Metric Gear Racks for Spur Gears



## Features:

- Tolerance on Single Pitch +/- 20µm
- Tolerance on Sum of Pitches +/- 30µmm on 500mm
- The Quality Grade of the Teeth is from 8 to 9 at DIN 3962/63/67
- 20° Pressure Angle
- Material C 45 E UNI EN 10083-1
- Suitable for Continuous Mounting

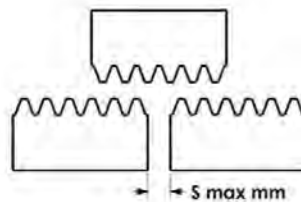


## Racks

Module	hp mm	he x S mm	L							
			500 mm		1000 mm		2000 mm		3000 mm	
			Part No.	kg	Part No.	kg	Part No.	kg	Part No.	kg
1	14	15 x 15	M1 x 500	0.82	M1 x 1000	1.50	M1 x 2000	3.10	M1 x 3000	4.90
1.5	15.5	17 x 17	M1.5 x 500	1.00	M1.5 x 1000	2.00	M1.5 x 2000	4.00	M1.5 x 3000	6.10
2	18	20 x 20	M2 x 500	1.40	M2 x 1000	2.70	M2 x 2000	5.40	M2 x 3000	8.40
2.5	22.5	25 x 25	M2.5 x 500	2.10	M2.5 x 1000	4.30	M2.5 x 2000	8.60	M2.5 x 3000	11.90
3	27	30 x 30	M3 x 500	3.10	M3 x 1000	6.30	M3 x 2000	12.50	M3 x 3000	18.60
4 x 25	21	25 x 25	M4 x 25 x 500	1.80	M4 x 25 x 1000	3.65	M4 x 25 x 2000	7.30	M4 x 25 x 3000	10.90
4 x 30	26	30 x 30	M4 x 30 x 500	3.05	M4 x 30 x 1000	6.00	M4 x 30 x 2000	11.90	M4 x 30 x 3000	18.10
4 x 40	36	40 x 40	M4 x 40 x 500	5.50	M4 x 40 x 1000	11.10	M4 x 40 x 2000	22.00	M4 x 40 x 3000	31.30
5	45	50 x 50	M5 x 500	8.30	M5 x 1000	17.50	M5 x 2000	34.60	M5 x 3000	45.30
6	54	60 x 60	M6 x 500	12.65	M6 x 1000	25.00	M6 x 2000	51.00	—	—
8	72	80 x 80	M8 x 500	22.40	M8 x 1000	45.00	M8 x 2000	90.00	—	—

## Part No. M2 x 1000

Where: M2 = Module Size  
1000 = Length in mm



## System Mounting

Top Fit Rack  
For fit & Alignment

## Technical Specification

Module	Pitch mm	S mm	L (Lr = Actual Length)							
			500 mm		1000 mm		2000 mm		3000 mm	
			Teeth	Lr	Teeth	Lr	Teeth	Lr	Teeth	Lr
1	3.1416	0.5	159	499.51	319	1002.17	637	2001.20	955	3000.23
1.5	4.7124	0.6	106	499.51	213	1003.74	425	2002.77	637	3001.80
2	6.2832	0.6	80	502.66	160	1005.31	319	2004.34	478	3003.37
2.5	7.8540	0.7	64	502.66	128	1005.31	255	2002.77	382	3000.23
3	9.4248	0.8	53	499.51	107	1008.45	213	2007.48	319	3006.51
4	12.5664	0.8	40	502.66	80	1005.31	160	2010.62	239	3003.37
5	15.7080	1.0	32	502.66	64	1005.31	128	2010.62	191	3000.23
6	18.8496	1.0	27	508.94	54	1017.88	107	2016.91	—	—
8	25.1328	1.0	20	502.66	40	1005.31	80	2010.62	—	—

Note: Stainless Rack available on request.

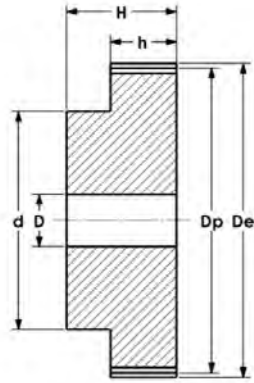
# Metric Spur Gear



## Module 1 20° Pressure Angle Straight Tooth

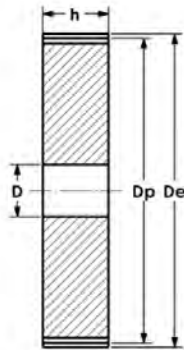


### Hub Type



Models Available

### Plate Type



### Part No: M1B27

M1 = Module Size

B = Hub Type or A = Plate Type

27 = Number of Teeth

Material: C45 E Steel

Module	h (mm)	H (mm)
1	15	25
1.5	17	30
2	20	35
2.5	25	40
3	30	50
4	40	60
5	50	75
6	60	80
8	65	95

Note: Finished bores on request. All dimensions in mm. Torque Ratings based on Permissible Fatigue Strength and Flank Pressure.

Teeth	Module 1							Max Torque Ncm	Wt kg
	Part No.		De mm	Dp mm	d mm	D mm			
	Hub Type	Plate Type							
12	M1B12	—	14	12	9	5	35	0.01	
13	M1B13	—	15	13	10	5	40	0.02	
14	M1B14	—	16	14	10	5	45	0.02	
15	M1B15	—	17	15	12	6	49	0.02	
16	M1B16	—	18	16	13	6	53	0.03	
17	M1B17	—	19	17	14	8	55	0.03	
18	M1B18	—	20	18	15	8	62	0.03	
19	M1B19	—	21	19	15	8	72	0.04	
20	M1B20	—	22	20	16	8	81	0.40	
21	M1B21	—	23	21	16	8	91	0.05	
22	M1B22	—	24	22	18	8	101	0.05	
23	M1B23	—	25	23	18	8	112	0.06	
24	M1B24	—	26	24	20	8	125	0.06	
25	M1B25	—	27	25	20	8	136	0.07	
26	M1B26	—	28	26	20	8	150	0.07	
27	M1B27	—	29	27	20	8	164	0.08	
28	M1B28	—	30	28	20	8	177	0.08	
29	M1B29	—	31	29	20	8	195	0.09	
30	M1B30	—	32	30	20	8	209	0.09	
31	M1B31	—	33	31	25	10	224	0.11	
32	M1B32	—	34	32	25	10	243	0.12	
33	M1B33	—	35	33	25	10	262	0.12	
34	M1B34	—	36	34	25	10	279	0.13	
35	M1B35	—	37	35	25	10	299	0.14	
36	M1B36	—	38	36	25	10	318	0.14	
37	M1B37	—	39	37	25	10	329	0.15	
38	M1B38	—	40	38	25	10	364	0.16	
39	M1B39	—	41	39	25	10	385	0.16	
40	M1B40	—	42	40	25	10	409	0.17	
41	M1B41	—	43	41	30	10	436	0.19	
42	M1B42	—	44	42	30	10	459	0.20	
43	M1B43	—	45	43	30	10	486	0.21	
44	M1B44	—	46	44	30	10	511	0.22	
45	M1B45	—	47	45	30	10	538	0.23	
46	M1B46	—	48	46	30	10	566	0.23	
47	M1B47	—	49	47	30	10	602	0.24	
48	M1B48	—	50	48	30	10	642	0.25	
49	M1B49	—	51	49	30	10	682	0.26	
50	M1B50	—	52	50	30	12	725	0.26	
51	M1B51	—	53	51	40	12	769	0.32	
52	M1B52	—	54	52	40	12	818	0.33	
53	M1B53	—	55	53	40	12	843	0.33	
54	M1B54	—	56	54	40	12	893	0.34	
55	M1B55	—	57	55	40	12	934	0.36	
56	M1B56	—	58	56	40	12	972	0.37	
57	M1B57	—	59	57	40	12	1013	0.38	
58	M1B58	—	60	58	40	12	1054	0.39	
59	M1B59	—	61	59	40	12	1101	0.40	
60	M1B60	M1A60	62	60	40	12	1146	0.41	
61	M1B61	—	63	61	50	12	1196	0.47	
62	M1B62	—	64	62	50	12	1265	0.49	
63	M1B63	—	65	63	50	12	1330	0.50	
64	M1B64	—	66	64	50	12	1395	0.51	
65	M1B65	—	67	65	50	12	1459	0.52	
66	M1B66	—	68	66	50	12	1503	0.53	
67	M1B67	—	69	67	50	12	1548	0.55	
68	M1B68	—	70	68	50	12	1592	0.56	
69	M1B69	—	71	69	50	12	1630	0.57	
70	M1B70	M1A70	72	70	50	12	1665	0.58	
72	M1B72	M1A72	74	72	50	12	1729	0.65	
75	M1B75	M1A75	77	75	50	12	1838	0.73	
76	M1B76	M1A76	78	76	50	12	1872	0.75	
80	M1B80	M1A80	82	80	50	12	2030	0.80	
85	—	M1A85	87	85	—	12	2230	0.73	
90	M1B90	M1A90	92	90	50	12	2450	0.85	
95	—	M1A95	97	95	—	12	2660	0.82	
100	M1B100	M1A100	102	100	60	12	2890	0.90	
110	—	M1A110	112	110	—	12	3710	0.91	
114	—	M1A114	116	114	—	12	3820	1.00	
120	—	M1A120	122	120	—	12	4000	1.32	
127	—	M1A127	129	127	—	12	4200	1.47	

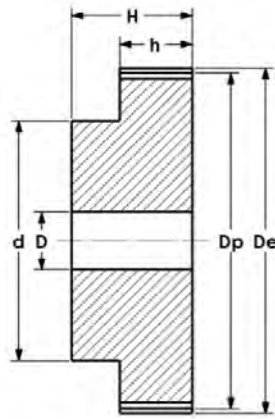


# Metric Spur Gear with Hub



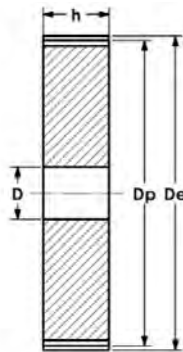
## Module 2 20° Pressure Angle Straight Tooth

### Hub Type



Models Available

### Plate Type



#### Part No: M2B27

M2 = Module Size

B = Hub Type or A = Plate Type

27 = Number of Teeth

Material: C45 E Steel

Module	h (mm)	H (mm)
1	15	25
1.5	17	30
2	20	35
2.5	25	40
3	30	50
4	40	60
5	50	75
6	60	80
8	65	95

Note: Finished bores on request. All dimensions in mm.  
Torque Ratings based on Permissible Fatigue Strength and Flank Pressure.

Teeth	Module 2							
	Part No.		De mm	Dp mm	d mm	D mm	Max Torque Nm	Wt. kg
	Hub Type	Plate Type						
12	M2B12	—	28	24	18	10	2.8	0.08
13	M2B13	—	30	26	19	10	3.2	0.10
14	M2B14	—	32	28	20	10	3.6	0.12
15	M2B15	—	34	30	22	10	3.9	0.14
16	M2B16	—	36	32	24	10	4.2	0.16
17	M2B17	—	38	34	25	10	4.4	0.18
18	M2B18	—	40	36	25	10	4.9	0.19
19	M2B19	—	42	38	25	10	5.7	0.21
20	M2B20	—	44	40	30	10	6.4	0.26
21	M2B21	—	46	42	30	10	7.2	0.27
22	M2B22	—	48	44	30	12	8.0	0.29
23	M2B23	—	50	46	30	12	8.9	0.31
24	M2B24	—	52	48	35	12	9.9	0.36
25	M2B25	—	54	50	35	12	10.8	0.39
26	M2B26	—	56	52	40	12	11.9	0.45
27	M2B27	—	58	54	40	12	13.0	0.47
28	M2B28	—	60	56	40	12	14.1	0.50
29	M2B29	—	62	58	40	14	15.5	0.52
30	M2B30	—	64	60	40	14	16.6	0.55
31	M2B31	—	66	62	45	14	17.8	0.61
32	M2B32	—	68	64	45	14	19.3	0.65
33	M2B33	—	70	66	45	14	20.8	0.68
34	M2B34	—	72	68	45	14	22.2	0.71
35	M2B35	—	74	70	45	14	23.8	0.74
36	M2B36	—	76	72	45	14	25.3	0.78
37	M2B37	—	78	74	50	14	26.1	0.86
38	M2B38	—	80	76	50	14	28.9	0.90
39	M2B39	—	82	78	50	14	30.6	0.93
40	M2B40	—	84	80	50	14	32.5	0.97
41	M2B41	—	86	82	60	16	34.6	1.05
42	M2B42	—	88	84	60	16	36.5	1.09
43	M2B43	—	90	86	60	16	38.6	1.13
44	M2B44	—	92	88	60	16	40.6	1.23
45	M2B45	—	94	90	60	16	42.7	1.27
46	M2B46	—	96	92	60	16	45.0	1.31
47	M2B47	—	98	94	60	16	47.8	1.48
48	M2B48	—	100	96	70	16	51.0	1.53
49	M2B49	—	102	98	70	16	54.2	1.57
50	M2B50	—	104	100	70	16	57.6	1.62
51	M2B51	—	106	102	70	20	61.1	1.67
52	M2B52	—	108	104	70	20	64.8	1.72
53	M2B53	—	110	106	70	20	68.5	1.78
54	M2B54	—	112	108	70	20	72.4	1.83
55	M2B55	—	114	110	70	20	76.3	1.88
56	M2B56	—	116	112	70	20	80.5	1.94
57	M2B57	—	118	114	70	20	84.7	1.99
58	M2B58	—	120	116	70	20	89.0	2.05
59	M2B59	—	122	118	70	20	93.1	2.11
60	M2B60	—	124	120	70	20	97.3	2.16
61	M2B61	—	126	122	80	20	102.0	2.36
62	M2B62	—	128	124	80	20	107.0	2.42
63	M2B63	—	130	126	80	20	111.0	2.48
64	M2B64	—	132	128	80	20	114.0	2.55
65	M2B65	—	134	130	80	20	117.0	2.61
66	M2B66	—	136	132	80	20	120.0	2.67
67	M2B67	—	138	134	80	20	122.0	2.74
68	M2B68	—	140	136	80	20	125.0	2.81
69	M2B69	—	142	138	80	20	127.0	2.87
70	M2B70	—	144	140	80	20	130.0	2.94
72	M2B72	M2A72	148	144	80	20	135.0	2.50
75	—	M2A75	154	150	—	20	166.0	2.71
76	—	M2A76	156	152	—	20	168.0	2.79
80	—	M2A80	164	160	—	20	175.0	3.09
85	—	M2A85	174	170	—	20	179.0	3.50
90	—	M2A90	184	180	—	20	180.0	3.93
95	—	M2A95	194	190	—	20	181.0	4.39
100	—	M2A100	204	200	—	20	185.0	4.87
110	—	M2A110	224	220	—	20	201.0	5.90
114	—	M2A114	232	228	—	20	208.0	6.34
120	—	M2A120	244	240	—	20	217.0	7.03
127	—	M2A127	258	254	—	20	235.0	7.89

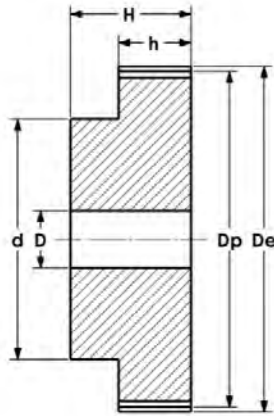


# Metric Spur Gear with Hub



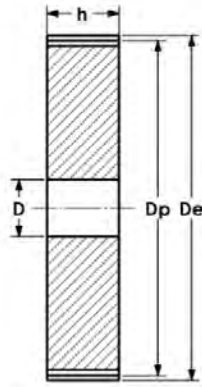
## Module 3 20° Pressure Angle Straight Tooth

### Hub Type



Models Available

### Plate Type



### Part No: M3B27

M3 = Module Size

B = Hub Type or A = Plate Type

27 = Number of Teeth

Material: C45 E Steel

Module	h (mm)	H (mm)
1	15	25
1.5	17	30
2	20	35
2.5	25	40
3	30	50
4	40	60
5	50	75
6	60	80
8	65	95

Note: Finished bores on request. All dimensions in mm.  
Torque Ratings based on Permissible Fatigue Strength and Flank Pressure.

Teeth	Module 3							
	Part No.		De mm	Dp mm	d mm	D mm	Max Torque Nm	Wt. Kg
	Hub Type	Plate Type						
12	M3B12	—	42	36	25	12	10.7	0.28
13	M3B13	—	45	39	25	12	12.1	0.34
14	M3B14	—	48	42	30	12	13.6	0.41
15	M3B15	—	51	45	35	12	15.0	0.47
16	M3B16	—	54	48	38	15	16.1	0.54
17	M3B17	—	57	51	42	15	17.0	0.63
18	M3B18	—	60	54	45	15	19.0	0.72
19	M3B19	—	63	57	45	15	21.6	0.78
20	M3B20	—	66	60	45	15	24.5	0.84
21	M3B21	—	69	63	45	15	27.5	0.89
22	M3B22	—	72	66	50	15	30.7	1.02
23	M3B23	—	75	69	50	15	34.0	1.10
24	M3B24	—	78	72	50	16	37.6	1.18
25	M3B25	—	81	75	60	16	41.4	1.39
26	M3B26	—	84	78	60	16	45.4	1.48
27	M3B27	—	87	81	60	16	49.7	1.56
28	M3B28	—	90	84	60	16	54.1	1.66
29	M3B29	—	93	87	60	16	59.2	1.75
30	M3B30	—	96	90	60	16	63.5	1.85
31	M3B31	—	99	93	70	20	69.2	1.95
32	M3B32	—	102	96	70	20	74.6	2.21
33	M3B33	—	105	99	70	20	82.8	2.32
34	M3B34	—	108	102	70	20	88.6	2.43
35	M3B35	—	111	105	70	20	97.8	2.55
36	M3B36	—	114	108	70	20	106.0	2.62
37	M3B37	—	117	111	80	20	115.0	2.74
38	M3B38	—	120	114	80	20	124.0	3.05
39	M3B39	—	123	117	80	20	135.0	3.18
40	M3B40	—	126	120	80	20	143.0	3.31
41	M3B41	—	129	123	90	20	155.0	3.44
42	M3B42	—	132	126	90	20	164.0	3.58
43	M3B43	—	135	129	90	20	175.0	3.72
44	M3B44	—	138	132	90	20	186.0	4.07
45	M3B45	—	141	135	90	20	196.0	4.22
46	M3B46	—	144	138	90	20	207.0	4.37
47	M3B47	—	147	141	90	20	220.0	4.76
48	M3B48	M3A48	150	144	100	20	232.0	4.92
49	M3B49	—	153	147	100	20	240.0	5.10
50	M3B50	M3A50	156	150	100	20	258.0	5.20
52	—	M3A52	162	156	100	25	286.0	4.40
54	M3B54	—	168	162	100	20	310.0	5.25
55	M3B55	M3A55	171	165	100	20	331.0	5.60
56	M3B56	—	174	168	100	20	348.0	6.10
57	M3B57	M3A57	177	171	100	20	364.0	6.30
60	M3B60	M3A60	186	180	100	20	437.0	6.75
62	M3B62	—	192	186	100	20	480.0	7.50
65	M3B65	M3A65	201	195	100	20	531.0	6.92
70	—	M3A70	216	210	—	25	552.0	8.00
72	—	M3A72	222	216	—	25	554.0	8.47
75	—	M3A75	231	225	—	25	557.0	9.21
76	—	M3A76	234	228	—	25	559.0	9.46
80	—	M3A80	246	240	—	25	564.0	10.49
85	—	M3A85	261	255	—	25	580.0	11.86
90	—	M3A90	276	270	—	25	610.0	13.32
95	—	M3A95	291	285	—	25	640.0	14.86
100	—	M3A100	306	300	—	25	667.0	16.48
110	—	M3A110	336	330	—	25	705.0	19.97
114	—	M3A114	348	342	—	30	740.0	21.40
120	—	M3A120	366	360	—	30	774.0	23.74
127	—	M3A127	387	381	—	30	800.0	26.61

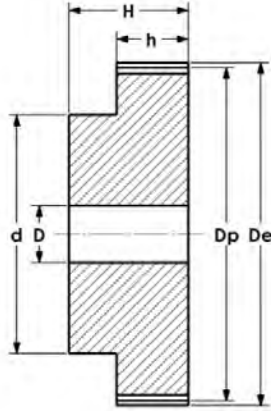
# Metric Spur Gear with Hub



Module 4  
20° Pressure Angle  
Straight Tooth

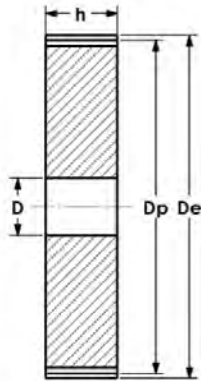


Hub Type



Models Available

Plate Type



**Part No: M4B27**

M4 = Module Size  
B = Hub Type or A = Plate Type  
27 = Number of Teeth  
Material: C45 E Steel

Module	h (mm)	H (mm)
1	15	25
1.5	17	30
2	20	35
2.5	25	40
3	30	50
4	40	60
5	50	75
6	60	80
8	65	95

Teeth	Module 4							
	Part No.		De mm	Dp mm	d mm	D mm	Max Torque Nm	Wt. kg
	Hub Type	Plate Type						
12	M4B12	—	56	48	35	14	26	0.63
13	M4B13	—	60	52	40	14	30	0.78
14	M4B14	—	64	56	45	14	34	0.93
15	M4B15	—	68	60	45	14	38	1.05
16	M4B16	—	72	64	50	15	40	1.20
17	M4B17	—	76	68	50	15	43	1.33
18	M4B18	—	80	72	50	15	48	1.47
19	M4B19	—	84	76	60	15	54	1.75
20	M4B20	—	88	80	60	15	61	1.90
21	M4B21	—	92	84	70	20	69	2.22
22	M4B22	—	96	88	70	20	78	2.39
23	M4B23	—	100	92	75	20	86	2.60
24	M4B24	—	104	96	75	20	95	2.79
25	M4B25	—	108	100	75	20	109	2.98
26	M4B26	—	112	104	75	20	121	3.18
27	M4B27	—	116	108	75	20	136	3.39
28	M4B28	—	120	112	75	20	153	3.60
29	M4B29	—	124	116	75	20	171	3.83
30	M4B30	—	128	120	75	20	185	4.06
31	M4B31	—	132	124	80	20	205	4.39
32	M4B32	—	136	128	80	20	220	4.64
33	M4B33	—	140	132	80	20	248	4.90
34	M4B34	—	144	136	80	20	264	5.16
35	M4B35	—	148	140	80	20	278	5.43
36	M4B36	—	152	144	80	20	299	5.63
37	M4B37	—	156	148	80	20	320	5.80
38	M4B38	M4A38	160	152	80	25	344	5.85
39	M4B39	—	164	156	80	25	370	5.90
40	M4B40	M4A40	168	160	80	25	394	6.11
45	M4B45	M4A45	188	180	80	25	536	7.78
48	M4B48	M4A48	200	192	80	25	638	8.87
50	M4B50	M4A50	208	200	80	25	710	9.65
52	—	M4A52	216	208	—	25	795	10.45
55	—	M4A55	228	220	—	25	913	11.71
57	—	M4A57	236	228	—	25	1020	12.59
60	M4B60	M4A60	248	240	100	25	1131	13.97
65	M4B65	M4A65	268	260	100	25	1220	16.43
70	—	M4A70	288	280	—	25	1231	19.09
75	—	M4A75	308	300	—	25	1288	21.94
76	—	M4A76	312	304	—	25	1303	22.47
80	—	M4A80	328	320	—	25	1354	24.93
85	—	M4A85	348	340	—	25	1430	28.18
90	—	M4A90	368	360	—	25	1500	31.62
95	—	M4A95	388	380	—	25	1580	35.26
100	—	M4A100	408	400	—	25	1650	39.11
110	—	M4A110	448	440	—	25	1744	47.38
114	—	M4A114	464	456	—	25	1830	50.91

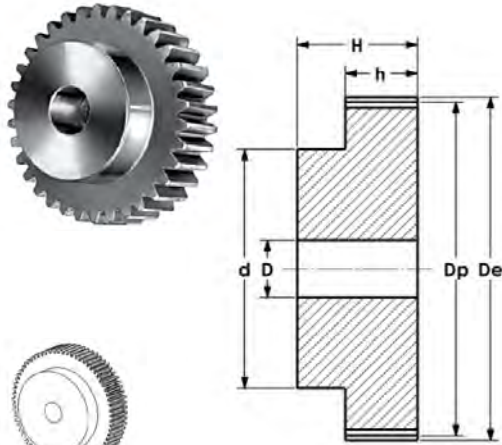
Note: Finished bores on request. All dimensions in mm.  
Torque Ratings based on Permissible Fatigue Strength and Flank Pressure.

# Metric Spur Gear with Hub



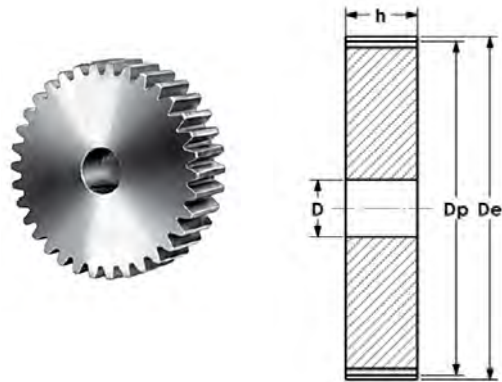
## Module 5 20° Pressure Angle Straight Tooth

### Hub Type



Models Available

### Plate Type



#### Part No: M5B27

M5 = Module Size

B = Hub Type or A = Plate Type

27 = Number of Teeth

Material: C45 E Steel

Module	h (mm)	H (mm)
1	15	25
1.5	17	30
2	20	35
2.5	25	40
3	30	50
4	40	60
5	50	75
6	60	80
8	65	95

Note: Finished bores on request. All dimensions in mm. Torque Ratings based on Permissible Fatigue Strength and Flank Pressure.

Teeth	Module 5							
	Part No.		De mm	Dp mm	d mm	D mm	Max Torque Nm	Wt. kg
	Hub Type	Plate Type						
12	M5B12	—	70	60	45	16	58	1.21
13	M5B13	—	75	65	50	16	64	1.47
14	M5B14	—	80	70	55	20	71	1.76
15	M5B15	—	85	75	60	20	79	2.07
16	M5B16	—	90	80	65	20	86	2.40
17	M5B17	—	95	85	70	20	88	2.75
18	M5B18	—	100	90	70	20	100	3.02
19	M5B19	—	105	95	70	20	115	3.30
20	M5B20	—	110	100	80	20	134	3.83
21	M5B21	—	115	105	80	20	157	4.15
22	M5B22	—	120	110	80	25	181	4.48
23	M5B23	—	125	115	90	25	206	5.08
24	M5B24	—	130	120	90	25	232	5.44
25	M5B25	—	135	125	90	25	261	5.82
26	M5B26	—	140	130	100	25	288	6.50
27	M5B27	—	145	135	100	25	318	6.91
28	M5B28	—	150	140	100	25	349	7.22
29	M5B29	—	155	145	100	25	385	7.98
30	M5B30	—	160	150	100	25	418	8.44
32	M5B32	M5A32	170	160	110	25	495	7.62
35	—	M5A35	185	175	—	25	626	9.16
36	M5B36	—	190	180	110	25	700	10.00
38	M5B38	M5A38	200	190	110	30	781	10.84
40	M5B40	M5A40	210	200	110	30	893	12.04
42	M5B42	—	220	210	120	25	1050	14.00
45	—	M5A45	235	225	—	30	1202	15.30
48	—	M5A48	250	240	—	30	1411	17.44
50	—	M5A50	260	250	—	30	1561	18.86
52	—	M5A52	270	260	—	30	1721	20.43
55	M5B55	M5A55	285	275	120	30	1978	22.89
57	—	M5A57	295	285	—	30	2030	24.62
60	M5B60	M5A60	310	300	120	30	2202	27.31
65	—	M5A65	335	325	—	30	2324	32.12
70	—	M5A70	360	350	—	30	2482	37.31
75	—	M5A75	385	375	—	30	2576	42.88
76	—	M5A76	390	380	—	30	2606	44.04
80	—	M5A80	410	400	—	30	2708	48.84
85	—	M5A85	435	425	—	30	2860	55.19
90	—	M5A90	460	450	—	30	3000	61.92
95	—	M5A95	485	475	—	30	3160	69.03
100	—	M5A100	510	500	—	30	3300	76.53
110	—	M5A110	560	550	—	30	3450	92.69
114	—	M5A114	580	570	—	30	3600	99.59

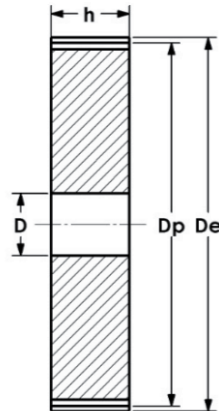


# Metric Spur Gear with Hub

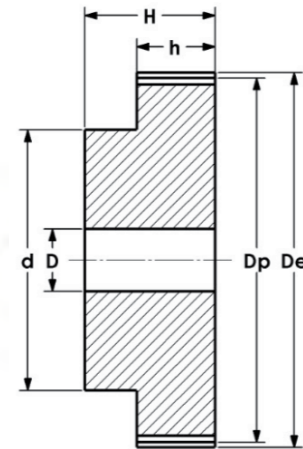


Module 6 & 8  
20° Pressure Angle  
Straight Tooth

Plate Type



Hub Type



Models Available

## Part No: M6B20

M6 = Module Size

B = Hub Type or A = Plate Type

20 = Number of Teeth

Material: C45 E Steel

Module	h (mm)	H (mm)
1	15	25
1.5	17	30
2	20	35
2.5	25	40
3	30	50
4	40	60
5	50	75
6	60	80
8	65	95

Teeth	Module 6							
	Part No.		De mm	Dp mm	d mm	D	Max Torque Nm	Wt. kg
	Hub Type	Plate Type						
12	M6B12	—	84	72	54	20	110	1.82
14	M6B14	—	96	84	65	20	129	2.20
15	M6B15	—	102	90	70	20	161	3.01
16	M6B16	—	108	96	75	20	167	3.46
18	M6B18	—	120	108	80	20	201	4.33
20	M6B20	—	132	120	90	20	277	5.43
23	M6B23	—	150	138	110	25	310	6.00
24	M6B24	—	156	144	110	25	450	7.88
25	M6B25	—	162	150	110	25	500	8.42
30	M6B30	M6A30	192	180	110	25	808	9.69
32	—	M6A32	204	192	—	25	960	11.05
38	—	M6A38	240	220	—	25	1470	15.69
40	M6B40	M6A40	252	240	120	25	1680	17.42

## Part No: M8B20

M8 = Module Size

B = Hub Type

20 = Number of Teeth

Material: C45 E Steel

Note: Finished bores on request. All dimensions in mm. Torque Ratings based on Permissible Fatigue Strength and Flank Pressure.

Teeth	Module 8						
	Part No. Hub Type	De mm	Dp mm	d mm	D	Max Torque Nm	Wt. kg
12	M8B12	112	96	70	25	240	4.2
15	M8B15	136	120	80	25	370	6.5
18	M8B18	160	144	80	25	495	9.0
20	M8B20	176	160	100	30	655	11.5
24	M8B24	208	192	120	30	1045	16.9
25	M8B25	216	200	120	30	1160	18.1
30	M8B30	256	240	150	30	1834	26.6
36	M8B36	304	288	160	40	2900	36.9
40	M8B40**	336	320	180	40	3790	46.0

Note: \*\* Welded Hub

# Belt Drive Products

## Metric Sheaves & Timing Pulleys

### Metric V-Belt TL SP Sheaves

PTI offers a full line of these widely used Metric V-Belt Sheaves from stock. These European standard sheaves, (commonly known as V-pulleys in Europe) utilize standard TL Tapered Bushings for mounting. The TL Bushing is available in both inch and metric shaft sizes. The SPZ, SPA, SPB and SPC Sheaves relate to the 4 different belt sections (i.e. Z, A, B and C) which is the standard European metric V-belt drive. The standard sheave will accommodate both standard or cogged belts. These friction drive sheaves are stocked up to 1250mm pitch diameter and thru 6 or 8 grooves on most sizes. 10 grooves and more are a normal MTO request. Bored to size and pilot bore sheaves are also available on request. These sheaves are versatile, balanced, and transfer significant power economically.



### Metric Variable Pitch TL Pulleys

Available in single and double grooves, these variable pitch friction drive pulleys have adjustable pitch diameters that allow for speed adjustment of the driven shaft. Available in Z, A and B belt sections, all mount with the standard TL Tapered Bushings. The pitch diameter is easily adjusted by turning the external face of the pulley by 1/4 turn increments until the desired speed of the driven shaft is achieved.



### HTD TL Timing Pulleys

HTD (High Torque Drives) is a positive belt drive and significantly more efficient than traditional Chain or V-Belt drives. The curvilinear shaped tooth is designed to improve torque capacity over traditional Timing and V-belt systems. HTD pulleys utilize metric dimensions and nomenclature. Sizes and designs are standard around the globe. Pulleys are available in tooth pitches of 5mm, 8mm and 14mm and stocked in several standard widths for the popular HTD belts. Wider belts handle increased torque. All stock pulleys are for the global standard TL Tapered Bushing. TL Bushings are available from stock for inch or metric bores. Mounting the HTD TL pulley requires only an Allen wrench and the installed result is a concentric grip on the shaft for vibration free operation. This ideal shaft fit accommodates high speeds and high torque while eliminating shaft fretting which generally occurs with bored to size pulleys. In addition, these synchronous pulleys are ideal for positioning drives. HTD is a registered trademark of Gates Corporation.



### TL Tapered Bushings

TL Tapered bushings are the preferred mounting method for Metric Drive products, especially on equipment from Europe. PTI stocks both inch and metric bores.



### Super Torque TL Timing Pulleys

The Super Torque profile is a metric, rounded shaped standard tooth form in 8mm or 14mm pitch sizes and respective belt widths up to 170mm. These pulleys mount to the shaft using the TL Tapered Bushing. They are suitable for high precision, smooth and quiet operation and have a resistance to abrasion. The stability of polyurethane belts provide a long service life and maintenance free operation.



### XL, L & H Synchronous TL Timing Pulleys

Synchronous Pulleys are a very popular, economical trapezoidal profile timing belt drive, and often replace chain drives. These light weight pulleys are ideal for timed or positioning applications. They are low backlash drives that transmit a constant linear velocity very efficiently (~98%). They are available in 3 pitch sizes: XL (1/5" pitch), L (3/8" pitch) & H (1/2" pitch) and stocked in a variety of standard belt widths up to 3 inches. The smallest XL sizes are available in aluminum and can be bored to size. The L and H sizes are all stocked for TL tapered bushings. The TL Bushing is available with inch and metric bores.



### T-Series & AT-Series Metric Timing Pulleys

These light weight aluminum, positive drive timing pulleys are suitable for moderate power/torque transmission and have reduced rotational inertia. The non-corrosive aluminum provides moderate chemical and corrosion resistance. Ideal for timed applications or for drives in clean environments. They are stocked with pilot bores and can be provided bored to size or with custom bores and/or face mounting holes. Polyurethane and Neoprene belts, typically steel reinforced, virtually eliminate belt stretch and offer long maintenance free operation. The T profile is a trapezoidal tooth form available in 3 popular pitches: 2.5, 5 and 10 mm. The AT tooth form is a curvilinear tooth available in 5 or 10mm pitch.



### Custom Pulleys

Metric pitch timing bars, duplex pulley combinations and custom bores are all possible. Provide a drawing or your technical requirements to our sales department. We will be happy to provide you with options or parts to your specifications.



# Synchronous Pulleys - Pilot Bore, Bushed



## XL - Series - 1/5" Pitch x 3/8" Belt Width

Part No: 20XL037N

20 = No. of Teeth

XL = Pitch (XL = 1/5", L = 3/8", H = 1/2")

037 = Width of Belt (.375")

N = Pilot Bore

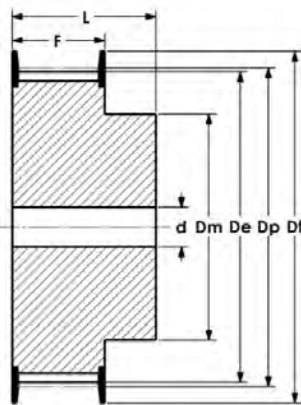


Fig 6F

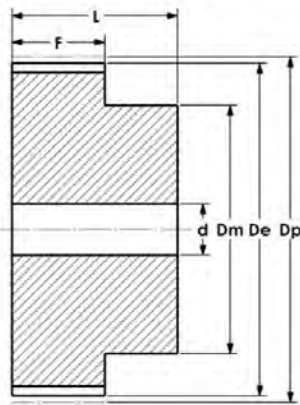


Fig 6

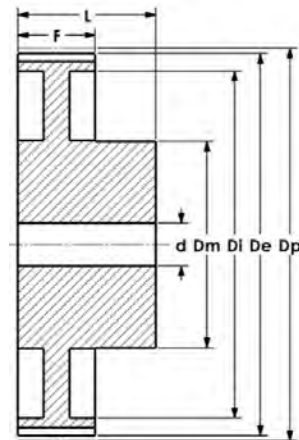


Fig 6W

Dimensions in inches

Part No.	Teeth	Belt Width	Material	Figure	Dp	De	Df	Dm	F	L	Pilot Bore	Max Bore	Wt. kg
10XL037N	10	0.375	ST	6F	0.637	0.62	0.91	0.37	0.56	0.78	0.20	0.25	0.02
11XL037N	11	0.375	ST	6F	0.700	0.68	0.91	0.37	0.56	0.78	0.20	0.25	0.02
12XL037N	12	0.375	ST	6F	0.764	0.74	0.98	0.50	0.56	0.78	0.20	0.32	0.03
14XL037N	14	0.375	ST	6F	0.891	0.87	1.10	0.56	0.56	0.78	0.24	0.37	0.04
15XL037N	15	0.375	ST	6F	0.955	0.94	1.10	0.63	0.56	0.78	0.24	0.44	0.04
16XL037N	16	0.375	ST	6F	1.019	1.00	1.26	0.69	0.56	0.78	0.24	0.50	0.05
18XL037N	18	0.375	ST	6F	1.146	1.13	1.42	0.81	0.56	0.78	0.24	0.56	0.06
20XL037N	20	0.375	ST	6F	1.273	1.25	1.50	0.94	0.56	0.87	0.24	0.69	0.08
21XL037N	21	0.375	ST	6F	1.337	1.32	1.50	0.94	0.56	0.87	0.24	0.69	0.09
22XL037N	22	0.375	ST	6F	1.400	1.38	1.65	1.00	0.56	0.87	0.24	0.75	0.10
24XL037N	24	0.375	ST	6F	1.528	1.51	1.73	1.06	0.56	0.87	0.24	0.81	0.10
26XL037N	26	0.375	ST	6F	1.655	1.64	1.89	1.18	0.56	0.87	0.24	0.91	0.10
28XL037N	28	0.375	ST	6F	1.783	1.76	2.01	1.19	0.56	0.87	0.24	0.91	0.20
30XL037N	30	0.375	ST	6F	1.910	1.89	2.13	1.37	0.56	0.87	0.24	0.91	0.20
32XL037N	32	0.375	AL	6	2.037	2.02	—	1.50	0.56	1.00	0.31	0.91	0.10
36XL037N	36	0.375	AL	6	2.292	2.27	—	1.50	0.56	1.00	0.31	0.91	0.10
40XL037N	40	0.375	AL	6	2.546	2.53	—	1.50	0.56	1.00	0.31	0.91	0.20
42XL037N	42	0.375	AL	6W	2.674	2.65	—	1.50	0.56	1.00	0.31	0.91	0.10
44XL037N	44	0.375	AL	6W	2.801	2.78	—	1.50	0.56	1.00	0.31	0.91	0.20
48XL037N	48	0.375	AL	6W	3.056	3.04	—	1.50	0.56	1.00	0.31	0.91	0.20
60XL037N	60	0.375	AL	6W	3.820	3.80	—	1.50	0.56	1.00	0.31	0.91	0.20
72XL037N	72	0.375	AL	6W	4.584	4.56	—	1.50	0.56	1.00	0.31	0.91	0.20

Note: ST = Steel, AL = Aluminum.

# Synchronous Pulleys - Pilot Bore, Bushed



## L - Series - 3/8" Pitch x 1/2", 3/4" and 1" Belt Widths

### Part No: 20L075T

20 = No. of Teeth

L = Pitch (XL = 1/5", L = 3/8", H = 1/2")

075 = Width of Belt (3/4")

T = Taper Bore, N = Pilot Bore



Models Available

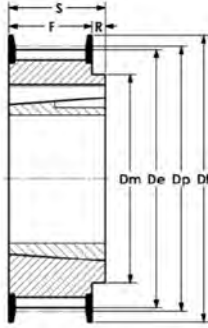


Fig 8F

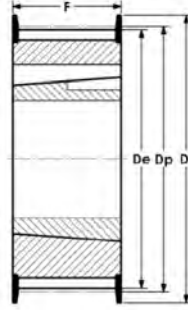


Fig 3F

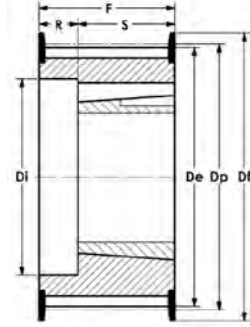


Fig 5F

Dimensions in inches

Part No.	Bushing	Teeth	Belt Width	Material	Figure	Dp	De	Df	Dm	Di	F	R	S	Wt. kg
18L050T	1108	18	0.50	ST	8F	2.149	2.12	2.36	1.69	—	0.75	0.12	0.87	0.2
18L075T	1108		0.75	ST	3F	2.149	2.12	2.36	—	—	0.98	—	0.98	0.2
18L100T	1108		1.00	ST	5F	2.149	2.12	2.36	—	1.50	1.22	0.35	0.87	0.2
19L050T	1108	19	0.50	ST	8F	2.268	2.24	2.36	1.69	—	0.75	0.12	0.87	0.2
19L075T	1108		0.75	ST	3F	2.268	2.24	2.36	—	—	0.98	—	0.48	0.3
19L100T	1108		1.00	ST	5F	2.268	2.24	2.36	—	1.50	1.22	0.35	0.87	0.3
20L050T	1108	20	0.50	ST	8F	2.387	2.36	2.60	1.89	—	0.75	0.12	0.87	0.2
20L075T	1108		0.75	ST	3F	2.387	2.36	2.60	—	—	0.98	—	0.98	0.3
20L100T	1108		1.00	ST	5F	2.387	2.36	2.60	—	1.77	1.22	0.35	0.87	0.4
21L050T	1108	21	0.50	ST	8F	2.507	2.48	2.80	1.89	—	0.75	0.12	0.87	0.3
21L075T	1108		0.75	ST	3F	2.507	2.48	2.80	—	—	0.98	—	0.98	0.4
21L100T	1108		1.00	ST	5F	2.507	2.48	2.80	—	1.85	1.22	0.35	0.87	0.4
22L050T	1108	22	0.50	ST	8F	2.626	2.60	2.95	2.01	—	0.75	0.12	0.87	0.3
22L075T	1108		0.75	ST	3F	2.626	2.60	2.95	—	—	0.98	—	0.98	0.4
22L100T	1108		1.00	ST	5F	2.626	2.60	2.95	—	2.01	1.22	0.35	0.87	0.4
23L050T	1108	23	0.50	GG	8F	2.745	2.72	3.11	2.13	—	0.75	0.12	0.87	0.4
23L075T	1108		0.75	GG	3F	2.745	2.72	3.11	—	—	0.98	—	0.98	0.4
23L100T	1108		1.00	GG	5F	2.745	2.72	3.11	—	2.13	1.26	0.39	0.87	0.5
24L050T	1108	24	0.50	GG	8F	2.865	2.83	3.11	2.13	—	0.75	0.12	0.87	0.4
24L075T	1108		0.75	GG	3F	2.865	2.83	3.11	—	—	0.98	—	0.98	0.5
24L100T	1108		1.00	GG	5F	2.865	2.83	3.11	—	2.13	1.26	0.39	0.87	0.6
25L050T	1108	25	0.50	GG	8F	2.984	2.95	3.27	2.20	—	0.75	0.12	0.87	0.5
25L075T	1108		0.75	GG	3F	2.984	2.95	3.27	—	—	0.98	—	0.98	0.6
25L100T	1108		1.00	GG	5F	2.984	2.95	3.27	—	2.20	1.26	0.39	0.87	0.6
26L050T	1108	26	0.50	GG	8F	3.104	3.07	3.43	2.36	—	0.75	0.12	0.87	0.5
26L075T	1108		0.75	GG	3F	3.104	3.07	3.43	—	—	0.98	—	0.98	0.6
26L100T	1108		1.00	GG	5F	3.104	3.07	3.43	—	2.36	1.26	0.39	0.87	0.7
27L050T	1108	27	0.50	GG	8F	3.223	3.19	3.43	2.56	—	0.75	0.12	0.87	0.6
27L075T	1108		0.75	GG	3F	3.223	3.19	3.43	—	—	0.98	—	0.98	0.7
27L100T	1108		1.00	GG	5F	3.223	3.19	3.43	—	2.44	1.26	0.39	0.87	0.8

Note: ST = Steel, GG = Cast Iron. Pilot Bore available on request.

# Synchronous Pulleys - Taper Bushed



L - Series - 3/8" Pitch x 1/2", 3/4" and 1" Belt Widths



Models Available

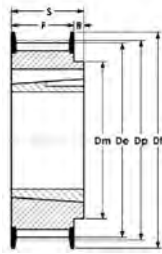


Fig 8F

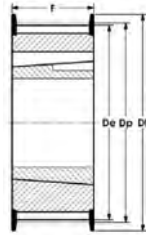


Fig 3F

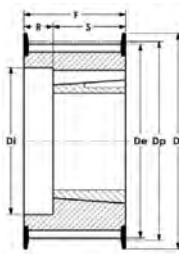


Fig 5F



Fig 8WF

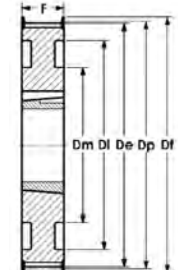


Fig 3WF

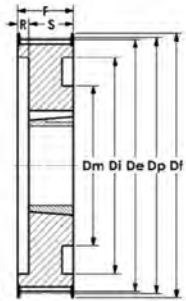


Fig 5WF



Fig 7A

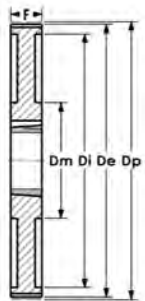


Fig 3A

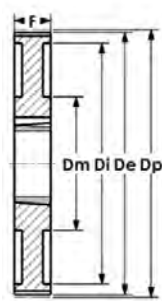


Fig 3W

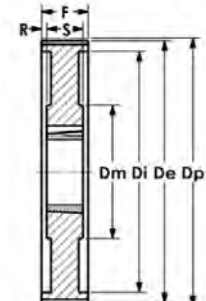


Fig 9W

Dimensions in inches

Part No.	Bushing	Teeth	Belt Width	Material	Figure	Dp	De	Df	Dm	Di	F	S	R	Wt. kg
28L050T	1108	28	0.5	GG	8F	3.342	3.31	3.58	2.56	—	0.75	0.87	0.12	0.6
28L075T	1108		0.75	GG	3F	3.342	3.31	3.58	—	—	0.98	0.98	—	0.7
28L100T	1108		1.0	GG	5F	3.342	3.31	3.58	—	2.56	1.26	0.87	0.39	0.8
30L050T	1108	30	0.5	GG	8F	3.581	3.55	3.82	2.76	—	0.75	0.87	0.12	0.8
30L075T	1108		0.75	GG	3F	3.581	3.55	3.82	—	—	0.98	0.98	—	0.9
30L100T	1210		1.0	GG	5F	3.581	3.55	3.82	—	2.80	1.26	0.98	0.28	0.9
32L050T	1108	32	0.5	GG	8F	3.820	3.79	4.06	2.91	—	0.75	0.87	0.12	0.9
32L075T	1108		0.75	GG	3F	3.820	3.79	4.06	—	—	0.98	0.98	—	1.0
32L100T	1210		1.0	GG	5F	3.820	3.79	4.06	—	2.95	1.26	0.98	0.28	1.0
36L050T	1108	36	0.5	GG	8F	4.297	4.27	4.53	3.43	—	0.75	0.87	0.12	1.2
36L075T	1610		0.75	GG	3F	4.297	4.27	4.53	—	—	0.98	0.98	—	1.2
36L100T	1610		1.0	GG	5F	4.297	4.27	4.53	—	3.50	1.26	0.98	0.28	1.4
40L050T	1610	40	0.5	GG	8F	4.775	4.74	5.00	3.82	—	0.75	0.98	0.24	1.5
40L075T	1610		0.75	GG	3F	4.775	4.74	5.00	—	—	0.98	0.98	—	1.7
40L100T	1610		1.0	GG	5F	4.775	4.74	5.00	—	3.98	1.26	0.98	0.28	1.7
48L050T	1610	48	0.5	GG	8WF	5.730	5.70	5.98	3.46	4.88	0.75	0.98	0.24	2.3
48L075T	1610		0.75	GG	3WF	5.730	5.70	5.98	3.62	4.88	0.98	0.98	—	2.5
48L100T	1610		1.0	GG	5WF	5.730	5.70	5.98	3.62	4.88	1.26	0.98	0.28	2.7
60L050T	1610	60	0.5	GG	7A	7.162	7.13	—	3.62	6.54	0.75	0.98	0.12	2.0
60L075T	1610		0.75	GG	3W	7.162	7.13	—	3.62	6.54	0.98	0.98	—	3.0
60L100T	1610		1.0	GG	9W	7.162	7.13	—	3.62	6.54	1.26	0.98	0.14	2.4
72L050T	1610	72	0.5	GG	7A	8.594	8.56	—	3.62	7.95	0.75	0.98	0.12	3.0
72L075T	1610		0.75	GG	3A	8.594	8.56	—	3.62	7.95	0.98	0.98	—	4.0
72L100T	2012		1.0	GG	3A	8.594	8.56	—	4.17	7.95	1.26	1.26	—	4.4
84L050T	1610	84	0.5	GG	7A	10.027	10.00	—	3.62	9.29	0.75	0.98	0.12	4.0
84L075T	2012		0.75	GG	7A	10.027	10.00	—	4.17	9.29	0.98	1.26	0.14	5.2
84L100T	2012		1.0	GG	3A	10.027	10.00	—	4.17	9.29	1.26	1.26	—	6.0
96L050T	2012	96	0.5	GG	7A	11.459	11.43	—	4.17	10.63	0.75	1.26	0.26	5.5
96L075T	2012		0.75	GG	7A	11.459	11.43	—	4.17	10.63	0.98	1.26	0.14	6.5
96L100T	2012		1.0	GG	3A	11.459	11.43	—	4.17	10.63	1.26	1.26	—	7.1
120L050T	2012	120	0.5	GG	7A	14.324	14.29	—	4.17	13.50	0.75	1.26	0.26	6.8
120L075T	2012		0.75	GG	7A	14.324	14.29	—	4.17	13.50	0.98	1.26	0.14	7.6
120L100T	2012		1.0	GG	3A	14.324	14.29	—	4.17	13.50	1.26	1.26	—	8.5

Note: Minimum plain bore available on request. GG = Cast Iron.

# Synchronous Pulleys - Taper Bushed



## H - Series - 1/2" Pitch x 1", 1 1/2", 2" and 3" Belt Widths

### Part No: 20H100T-1210

20 = No. of Teeth

H = Pitch (XL = 1/5", L = 3/8", H = 1/2")

100 = Width of Belt (Inches)

T = Taper Bore, N = Pilot Bore

1210 = Bushing Size



Models Available

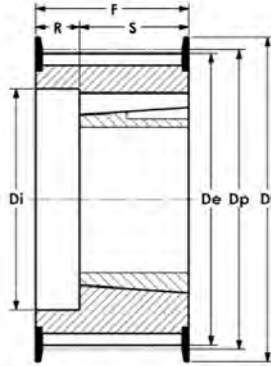


Fig 5F

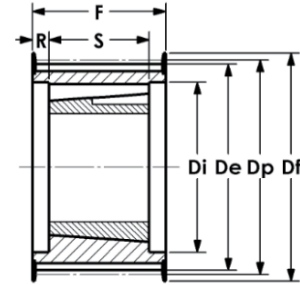


Fig 4F

Dimensions in inches

Part No.	Bushing	Teeth	Belt Width	Material	Figure	Dp	De	Df	Dm	Di	F	S	R	Wt. kg
16H100T	1108	16	1.0	ST	5F	2.546	2.49	2.80	—	1.77	1.22	0.87	0.35	0.4
18H100T	1210	18	1.0	ST	5F	2.865	2.81	3.11	—	2.05	1.22	0.98	0.24	0.5
18H150T	1210		1.5	ST	5F	2.865	2.81	3.11	—	2.09	1.77	0.98	0.79	0.6
18H200T	1210		2.0	ST	5F	2.865	2.81	3.11	—	2.05	2.28	0.98	1.30	0.8
19H100T	1210		1.0	ST	5F	3.024	2.97	3.27	—	2.20	1.22	0.98	0.24	0.6
19H150T	1210	19	1.5	ST	5F	3.024	2.97	3.27	—	2.20	1.77	0.98	0.79	0.7
19H200T	1610		2.0	ST	5F	3.024	2.97	3.27	—	2.20	2.28	0.98	1.30	0.9
20H100T	1210		20	1.0	ST	5F	3.183	3.13	3.43	—	2.36	1.22	0.98	0.24
20H150T	1210	1.5		ST	5F	3.183	3.13	3.43	—	2.36	1.77	0.98	0.79	0.8
20H200T	1610	2.0		ST	5F	3.183	3.13	3.43	—	2.36	2.28	0.98	1.30	1.0
20H300T	1615	3.0		ST	4F	3.183	3.13	3.43	—	2.56	3.31	1.50	0.91	1.5
21H100T	1210	21	1.0	GG	5F	3.342	3.29	3.58	—	2.48	1.26	0.98	0.28	0.8
21H150T	1210		1.5	GG	5F	3.342	3.29	3.58	—	2.52	1.77	0.98	0.74	1.0
21H200T	1610		2.0	GG	5F	3.342	3.29	3.58	—	2.52	2.28	0.98	1.30	1.7
21H300T	1615		3.0	GG	4F	3.342	3.29	3.58	—	2.60	3.31	1.50	0.91	1.2
22H100T	1210	22	1.0	GG	5F	3.501	3.45	3.66	—	2.64	1.26	0.98	0.28	0.9
22H150T	1210		1.5	GG	5F	3.501	3.45	3.66	—	2.68	1.77	0.98	0.79	1.2
22H200T	1610		2.0	GG	5F	3.501	3.45	3.66	—	2.68	2.28	0.98	1.30	1.5
22H300T	1615		3.0	GG	4F	3.501	3.45	3.66	—	2.64	3.31	1.50	0.91	1.6
23H100T	1610	23	1.0	GG	5F	3.661	3.61	3.82	—	2.80	1.26	0.98	0.28	0.9
23H150T	1610		1.5	GG	5F	3.661	3.61	3.82	—	2.80	1.77	0.98	0.79	1.3
23H200T	1610		2.0	GG	5F	3.661	3.61	3.82	—	2.80	2.28	0.98	1.30	1.8
23H300T	1615		3.0	GG	4F	3.661	3.61	3.82	—	2.80	3.31	1.50	0.91	1.8
24H100T	1610	24	1.0	GG	5F	3.820	3.77	4.06	—	2.95	1.26	0.98	0.28	1.0
24H150T	1610		1.5	GG	5F	3.820	3.77	4.06	—	2.91	1.77	0.98	0.79	1.0
24H200T	1610		2.0	GG	5F	3.820	3.77	4.06	—	2.91	2.28	0.98	1.30	1.5
24H300T	1615		3.0	GG	4F	3.820	3.77	4.06	—	2.95	3.31	1.50	0.91	2.1

Note: ST = Steel, GG = Cast Iron. Pilot Bore available on request.

# Synchronous Pulleys - Taper Bushed



## H - Series - 1/2" Pitch x 1", 1 1/2", 2" and 3" Belt Widths

Part No: 28H 100T-1610

28 = No. of Teeth

H = Pitch (XL = 1/5", L = 3/8", H = 1/2")

100 = Width of Belt (Inches)

N = Pilot Bore, T = Taper Bore

1610 = Bushing Size



Models Available

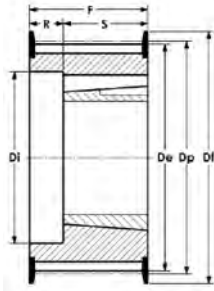


Fig 5F

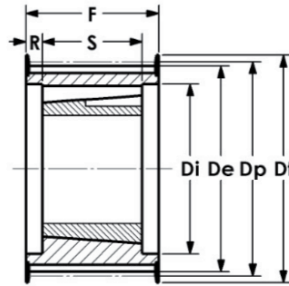


Fig 4F

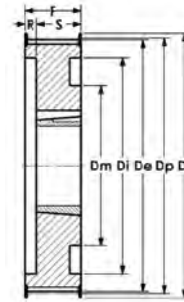


Fig 5WF

Dimensions in inches

Part No.	Bushing	Teeth	Belt Width	Material	Figure	Dp	De	Df	Dm	Di	F	S	R	Wt. kg
25H100T	1610	25	1.0	GG	5F	3.979	3.92	4.17	—	3.11	1.26	0.98	0.28	1.0
25H150T	1610		1.5	GG	5F	3.979	3.92	4.17	—	3.07	1.77	0.98	0.79	1.2
25H200T	1610		2.0	GG	5F	3.979	3.92	4.17	—	3.07	2.28	0.98	1.30	1.5
25H300T	1615		3.0	GG	4F	3.979	3.92	4.17	—	3.11	3.31	1.50	0.91	2.0
26H100T	1610	26	1.0	GG	5F	4.138	4.08	4.37	—	3.27	1.26	0.98	0.28	1.2
26H150T	1610		1.5	GG	5F	4.138	4.08	4.37	—	3.23	1.77	0.98	0.79	1.4
26H200T	1610		2.0	GG	5F	4.138	4.08	4.37	—	3.23	2.28	0.98	1.30	1.8
26H300T	1615		3.0	GG	4F	4.138	4.08	4.37	—	3.27	3.31	1.50	0.91	2.7
27H100T	1610	27	1.0	GG	5F	4.297	4.24	4.53	—	3.43	1.26	0.98	0.28	1.3
27H150T	1610		1.5	GG	5F	4.297	4.24	4.53	—	3.43	1.77	0.98	0.79	1.6
27H200T	1610		2.0	GG	5F	4.297	4.24	4.53	—	3.43	2.28	0.98	1.30	1.9
27H300T	2012		3.0	GG	4F	4.297	4.24	4.53	—	3.43	3.31	1.26	1.02	3.0
28H100T	1610	28	1.0	GG	5F	4.456	4.40	4.69	—	3.58	1.26	0.98	0.28	1.5
28H150T	1610		1.5	GG	5F	4.456	4.40	4.69	—	3.58	1.77	0.98	0.79	1.8
28H200T	1610		2.0	GG	5F	4.456	4.40	4.69	—	3.58	2.28	0.98	1.30	1.9
28H300T	2012		3.0	GG	4F	4.456	4.40	4.69	—	3.58	3.31	1.26	1.02	2.4
30H100T	1610	30	1.0	GG	5F	4.775	4.72	5.00	—	3.90	1.26	0.98	0.28	1.7
30H150T	1610		1.5	GG	5F	4.775	4.72	5.00	—	3.90	1.77	0.98	0.79	2.0
30H200T	1610		2.0	GG	5F	4.775	4.72	5.00	—	3.90	2.28	0.98	1.30	2.3
30H300T	2012		3.0	GG	4F	4.775	4.72	5.00	—	3.90	3.31	1.26	1.03	2.9
32H100T	1610	32	1.0	GG	5WF	5.093	5.04	5.31	3.62	4.25	1.26	0.98	0.28	2.0
32H150T	1610		1.5	GG	5WF	5.093	5.04	5.31	3.62	4.25	1.77	0.98	0.79	2.3
32H200T	2012		2.0	GG	5F	5.093	5.04	5.31	—	4.21	2.28	1.26	1.02	3.0
32H300T*	2517		3.0	GG	4F	5.093	5.04	5.31	—	4.21	3.31	1.77	0.77	3.3
36H100T	1610	36	1.0	GG	5WF	5.730	5.68	5.98	3.62	4.88	1.26	0.98	0.28	2.7
36H150T	1610		1.5	GG	5WF	5.730	5.68	5.98	3.62	4.88	1.77	0.98	0.79	3.1
36H200T	2012		2.0	GG	5WF	5.730	5.68	5.98	4.02	4.88	2.28	1.26	1.02	3.0
36H300T*	2517		3.0	GG	4F	5.730	5.68	5.98	—	4.88	3.31	1.77	0.77	4.5

Note: Pilot bore available on request. GG = Cast Iron. \* Requires TL Bushing with BSW screws.

# Synchronous Pulleys - Taper Bushed



## H - Series - 1/2" Pitch x 1", 1 1/2", 2" and 3" Belt Widths



Models Available

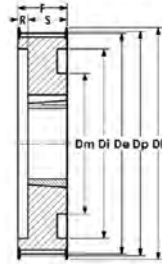


Fig 5WF

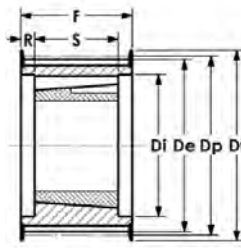


Fig 4F

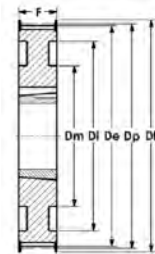


Fig 3WF

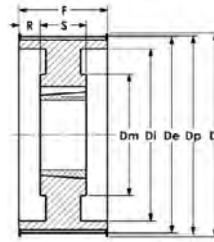


Fig 4WF

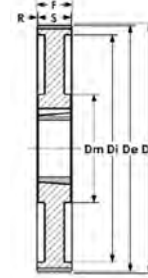


Fig 9A

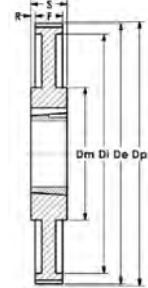


Fig 7A

Dimensions in inches

Part No.	Bushing	Teeth	Belt Width	Material	Figure	Dp	De	Df	Dm	Di	F	S	R	Wt. kg
40H100T	1610	40	1.0	GG	5WF	6.366	6.31	6.61	3.62	5.51	1.26	0.98	0.28	3.6
40H150T	1610		1.5	GG	5WF	6.366	6.31	6.61	3.62	5.51	1.77	0.98	0.79	4.0
40H200T	2012		2.0	GG	5WF	6.366	6.31	6.61	4.17	5.51	2.28	1.26	1.02	3.6
40H300T*	2517		3.0	GG	4F	6.366	6.31	6.61	—	5.39	3.31	1.77	0.77	6.0
44H100T	2012	44	1.0	GG	3WF	7.003	6.95	7.24	4.17	6.02	1.26	1.26	—	3.8
44H150T	2012		1.5	GG	5WF	7.003	6.95	7.24	4.17	6.02	1.77	1.26	0.51	4.4
44H200T	2012		2.0	GG	5WF	7.003	6.95	7.24	4.17	6.02	2.28	1.26	1.02	4.0
44H300T*	2517		3.0	GG	4WF	7.003	6.95	7.24	4.69	6.02	3.39	1.77	0.81	6.6
48H100T	2012	48	1.0	GG	3WF	7.639	7.59	7.87	4.17	6.65	1.26	1.26	—	3.2
48H150T	2012		1.5	GG	5WF	7.639	7.59	7.87	4.17	6.65	1.77	1.26	0.51	4.8
48H200T*	2517		2.0	GG	5WF	7.639	7.59	7.87	4.69	6.65	2.28	1.77	0.51	4.6
48H300T*	2517		3.0	GG	4WF	7.639	7.59	7.87	4.69	6.65	3.39	1.77	0.81	7.6
60H100T	2012	60	1.0	GG	9A	9.549	9.50	—	4.17	8.78	1.34	1.26	0.04	4.8
60H150T	2012		1.5	GG	9A	9.549	9.50	—	4.17	8.78	1.81	1.26	0.28	5.4
60H200T	2517		2.0	GG	9A	9.549	9.50	—	4.69	8.78	2.36	1.77	0.30	7.0
60H300T*	2517		3.0	GG	9A	9.549	9.50	—	4.69	8.78	3.39	1.77	0.81	8.4
72H100T	2012	72	1.0	GG	9A	11.459	11.41	—	4.17	10.63	1.34	1.26	0.04	5.7
72H150T	2012		1.5	GG	9A	11.459	11.41	—	4.17	10.63	1.81	1.26	0.28	6.5
72H200T	2517		2.0	GG	9A	11.459	11.41	—	4.69	10.63	2.36	1.77	0.30	8.0
72H300T*	2517		3.0	GG	9A	11.459	11.41	—	4.69	10.63	3.39	1.77	0.81	10.4
84H100T	2012	84	1.0	GG	9A	13.369	13.31	—	4.17	12.52	1.34	1.26	0.04	6.8
84H150T	2012		1.5	GG	9A	13.369	13.31	—	4.17	12.60	1.81	1.26	0.28	8.4
84H200T*	2517		2.0	GG	9A	13.369	13.31	—	4.69	12.60	2.36	1.77	0.30	9.0
84H300T*	2517		3.0	GG	9A	13.369	13.31	—	4.69	12.60	3.39	1.77	0.81	12.5
96H100T*	2517	96	1.0	GG	7A	15.279	15.22	—	4.69	14.41	1.34	1.77	0.22	8.2
96H150T*	2517		1.5	GG	9A	15.279	15.22	—	4.69	14.41	1.81	1.77	0.02	11.0
96H200T*	2517		2.0	GG	9A	15.279	15.22	—	4.69	14.41	2.36	1.77	0.30	10.0
96H300T	3030		3.0	GG	9A	15.279	15.22	—	5.91	14.25	3.39	2.99	0.20	14.2
120H100T*	2517	120	1.0	GG	7A	19.099	19.04	—	4.69	18.19	1.34	1.77	0.22	12.1
120H150T*	2517		1.5	GG	9A	19.099	19.04	—	4.69	18.19	1.81	1.77	0.02	14.8
120H200T*	2517		2.0	GG	9A	19.099	19.04	—	4.69	18.19	2.36	1.77	0.30	13.4
120H300T	3030		3.0	GG	9A	19.099	19.04	—	5.91	18.11	3.39	2.99	0.20	18.8

Note: Minimum plain bore available on request. GG = Cast Iron. \* Requires TL Bushing with BSW screws.



# Metric Timing Pulleys



## T Series - 2.5 mm Pitch Aluminum, Pilot Bore



Models Available

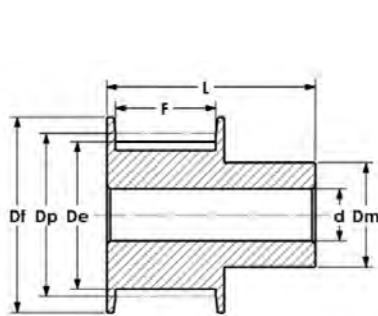
Part No: 16T2.5/24-2

16 = Length thru Bore

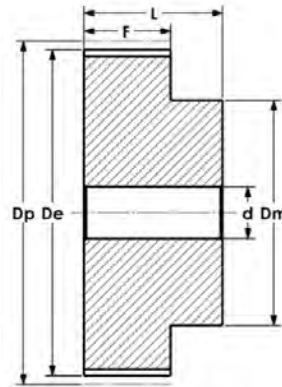
T2.5 = Tooth Profile and Pitch

24 = Number of Teeth

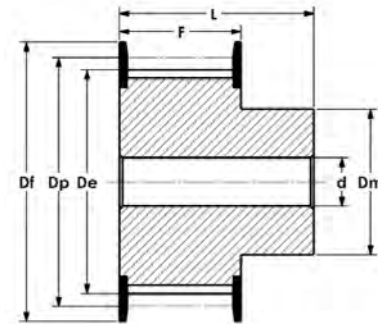
2 = Number of Flanges



Type 1F



Type 6



Type 6F

### T - 2.5 mm Pitch x 4 mm or 6mm Belt Width

Dimensions in mm

Part No.	Part Code	Teeth	Type	Belt Width	Material	Dp	De	Df	Dm	F	L	d	Wt. kg
16T2.5/12-2	12T2.5-16	12	1F	4 or 6	AL	9.60	9.00	13.0	6	9	16	4	0.003
16T2.5/14-2	14T2.5-16	14	1F	4 or 6	AL	11.20	10.60	15.0	8	9	16	4	0.004
16T2.5/15-2	15T2.5-16	15	1F	4 or 6	AL	12.00	11.40	15.0	8	9	16	4	0.005
16T2.5/16-2	16T2.5-16	16	1F	4 or 6	AL	12.80	12.20	16.0	9.5	9	16	4	0.005
16T2.5/18-2	18T2.5-16	18	6F	4 or 6	AL	14.40	13.80	17.5	10	10	16	4	0.006
16T2.5/19-2	19T2.5-16	19	6F	4 or 6	AL	15.20	14.60	18.0	10	10	16	4	0.007
16T2.5/20-2	20T2.5-16	20	6F	4 or 6	AL	16.00	15.40	20.0	11	10	16	4	0.008
16T2.5/22-2	22T2.5-16	22	6F	4 or 6	AL	17.60	17.00	23.0	11	10	16	4	0.009
16T2.5/24-2	24T2.5-16	24	6F	4 or 6	AL	19.15	18.55	23.0	12	10	16	4	0.012
16T2.5/25-2	25T2.5-16	25	6F	4 or 6	AL	19.95	19.35	23.0	13	10	16	4	0.01
16T2.5/26-2	26T2.5-16	26	6F	4 or 6	AL	20.75	20.15	25.0	14	10	16	4	0.01
16T2.5/28-2	28T2.5-16	28	6F	4 or 6	AL	22.35	21.75	25.0	14	10	16	4	0.02
16T2.5/30-2	30T2.5-16	30	6F	4 or 6	AL	23.95	23.35	28.0	16	10	16	6	0.02
16T2.5/32-2	32T2.5-16	32	6F	4 or 6	AL	25.95	24.95	32.0	16	10	16	6	0.02
16T2.5/36-2	36T2.5-16	36	6F	4 or 6	AL	28.75	28.10	36.0	20	10	16	6	0.03
16T2.5/40-2	40T2.5-16	40	6F	4 or 6	AL	31.90	31.30	38.0	22	10	16	6	0.03
16T2.5/44-2	44T2.5-16	44	6F	4 or 6	AL	35.10	34.50	42.0	24	10	16	6	0.04
16T2.5/48-0	48T2.5-16	48	6	4 or 6	AL	38.30	37.70	—	26	10	16	6	0.05
16T2.5/60-0	60T2.5-16	60	6	4 or 6	AL	47.85	47.25	—	34	10	16	8	0.07

Note: Finished Bore & Keyway available on request.

# Metric Timing Pulleys



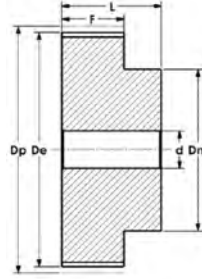
## T Series - 5 mm Pitch Aluminum, Pilot Bore

### Part No: 21T5/24-2

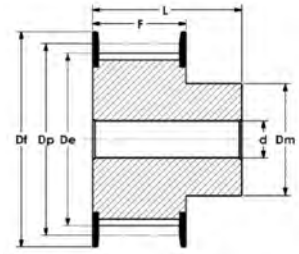
- 21 = Length thru Bore
- T5 = Tooth Profile and Pitch
- 24 = Number of Teeth
- 2 = Number of Flanges



Models Available



Type 6



Type 6F

### T-5 mm Pitch x 10 mm Belt Width

Dimensions in mm

Part No.	Part Code	Teeth	Type	Belt Width	Material	Dp	De	Df	Dm	F	L	d	Wt. kg
21T5/10-2	10T5-21	10	6F	10	AL	16.05	15.05	20.0	8	15	21	4	0.01
21T5/12-2	12T5-21	12	6F	10	AL	19.25	18.25	23.0	11	15	21	4	0.02
21T5/14-2	14T5-21	14	6F	10	AL	22.45	21.45	25.0	13	15	21	4	0.02
21T5/15-2	15T5-21	15	6F	10	AL	24.05	23.05	28.0	16	15	21	6	0.02
21T5/16-2	16T5-21	16	6F	10	AL	25.06	24.60	32.0	18	15	21	6	0.03
21T5/18-2	18T5-21	18	6F	10	AL	28.80	27.80	32.0	20	15	21	6	0.03
21T5/19-2	19T5-21	19	6F	10	AL	30.40	29.40	36.0	22	15	21	6	0.04
21T5/20-2	20T5-21	20	6F	10	AL	32.00	31.00	36.0	23	15	21	6	0.04
21T5/22-2	22T5-21	22	6F	10	AL	35.15	34.15	38.0	24	15	21	6	0.05
21T5/24-2	24T5-21	24	6F	10	AL	38.40	37.40	42.0	26	15	21	6	0.05
21T5/25-2	25T5-21	25	6F	10	AL	39.95	38.95	44.0	26	15	21	6	0.09
21T5/26-2	26T5-21	26	6F	10	AL	41.60	40.60	44.0	26	15	21	6	0.06
21T5/27-2	27T5-21	27	6F	10	AL	43.20	42.20	48.0	30	15	21	8	0.06
21T5/28-2	28T5-21	28	6F	10	AL	44.75	43.75	48.0	32	15	21	8	0.07
21T5/30-2	30T5-21	30	6F	10	AL	47.95	46.95	51.0	34	15	21	8	0.08
21T5/32-2	32T5-21	32	6F	10	AL	51.10	50.10	54.0	38	15	21	8	0.09
21T5/36-2	36T5-21	36	6F	10	AL	57.45	56.45	63.0	38	15	21	8	0.11
21T5/40-2	40T5-21	40	6F	10	AL	63.85	62.85	66.0	40	15	21	8	0.14
21T5/42-2	42T5-21	42	6F	10	AL	67.00	66.00	71.0	40	15	21	8	0.18
21T5/44-0	44T5-21	44	6	10	AL	70.20	69.20	—	45	15	21	8	0.19
21T5/48-0	48T5-21	48	6	10	AL	76.55	75.55	—	50	15	21	8	0.20
21T5/60-0	60T5-21	60	6	10	AL	95.65	94.65	—	65	15	21	8	0.31

### T-5 mm Pitch x 16 mm Belt Width

Part No.	Part Code	Teeth	Type	Belt Width	Material	Dp	De	Df	Dm	F	L	d	Wt. kg
27T5/10-2	10T5-27	10	6F	16	AL	16.05	15.05	20.0	8	21	27	4	0.016
27T5/12-2	12T5-27	12	6F	16	AL	19.25	18.25	23.0	11	21	27	4	0.022
27T5/14-2	14T5-27	14	6F	16	AL	22.45	21.45	25.0	13	21	27	4	0.026
27T5/15-2	15T5-27	15	6F	16	AL	24.05	23.05	28.0	16	21	27	6	0.029
27T5/16-2	16T5-27	16	6F	16	AL	25.06	24.60	32.0	18	21	27	6	0.035
27T5/18-2	18T5-27	18	6F	16	AL	28.80	27.80	32.0	20	21	27	6	0.043
27T5/19-2	19T5-27	19	6F	16	AL	30.40	29.40	36.0	22	21	27	6	0.049
27T5/20-2	20T5-27	20	6F	16	AL	32.00	31.00	36.0	23	21	27	6	0.053
27T5/22-2	22T5-27	22	6F	16	AL	35.15	34.15	38.0	24	21	27	6	0.054
27T5/24-2	24T5-27	24	6F	16	AL	38.40	37.40	42.0	26	21	27	6	0.076
27T5/25-2	25T5-27	25	6F	16	AL	39.95	38.95	44.0	26	21	27	6	0.081
27T5/26-2	26T5-27	26	6F	16	AL	41.60	40.60	44.0	26	21	27	6	0.085
27T5/27-2	27T5-27	27	6F	16	AL	43.20	42.20	48.0	30	21	27	8	0.090
27T5/28-2	28T5-27	28	6F	16	AL	44.75	43.75	48.0	32	21	27	8	0.092
27T5/30-2	30T5-27	30	6F	16	AL	47.95	46.95	51.0	34	21	27	8	0.105
27T5/32-2	32T5-27	32	6F	16	AL	51.10	50.10	54.0	38	21	27	8	0.123
27T5/36-2	36T5-27	36	6F	16	AL	57.45	56.45	63.0	38	21	27	8	0.160
27T5/40-2	40T5-27	40	6F	16	AL	63.85	62.85	66.0	40	21	27	8	0.193
27T5/42-2	42T5-27	42	6F	16	AL	67.00	66.00	71.0	40	21	27	8	0.205
27T5/44-0	44T5-27	44	6	16	AL	70.20	69.20	—	45	21	27	8	0.228
27T5/48-0	48T5-27	48	6	16	AL	76.55	75.55	—	50	21	27	8	0.280
27T5/60-0	60T5-27	60	6	16	AL	95.65	94.65	—	65	21	27	8	0.430

Note: Finished Bore &amp; Keyway available on request.

# Metric Timing Pulleys



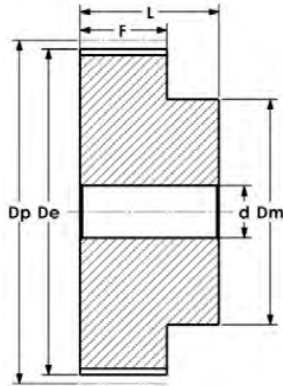
## T Series - 5 mm Pitch Aluminum, Pilot Bore

Part No: 36T5/24-2

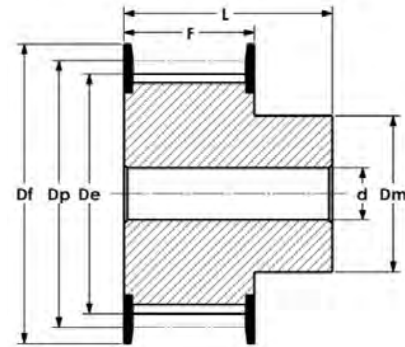
- 36 = Length thru Bore
- T5 = Tooth Profile and Pitch
- 24 = Number of Teeth
- 2 = Number of Flanges



Models Available



Type 6



Type 6F

### T-5 mm Pitch x 25 mm Belt Width

Dimensions in mm

Part No.	Part Code	Teeth	Type	Belt Width	Material	Dp	De	Df	Dm	F	L	d	Wt. kg
36T5/10-2	10T5-36	10	6F	25	AL	16.05	15.05	20.0	8	30	36	4	0.023
36T5/12-2	12T5-36	12	6F	25	AL	19.25	18.25	23.0	11	30	36	4	0.031
36T5/14-2	14T5-36	14	6F	25	AL	22.45	21.45	25.0	13	30	36	4	0.037
36T5/15-2	15T5-36	15	6F	25	AL	24.05	23.05	28.0	16	30	36	6	0.041
36T5/16-2	16T5-36	16	6F	25	AL	25.60	24.60	32.0	18	30	36	6	0.050
36T5/18-2	18T5-36	18	6F	25	AL	28.80	27.80	32.0	20	30	36	6	0.061
36T5/19-2	19T5-36	19	6F	25	AL	30.40	29.40	36.0	22	30	36	6	0.070
36T5/20-2	20T5-36	20	6F	25	AL	32.00	31.00	36.0	23	30	36	6	0.076
36T5/22-2	22T5-36	22	6F	25	AL	35.25	34.15	38.0	24	30	36	6	0.080
36T5/24-2	24T5-36	24	6F	25	AL	38.40	37.40	42.0	26	30	36	8	0.109
36T5/25-2	25T5-36	25	6F	25	AL	40.00	38.95	44.0	26	30	36	8	0.116
36T5/26-2	26T5-36	26	6F	25	AL	41.60	40.60	44.0	26	30	36	8	0.120
36T5/27-2	27T5-36	27	6F	25	AL	43.20	42.20	48.0	30	30	36	8	0.128
36T5/28-2	28T5-36	28	6F	25	AL	44.75	43.75	48.0	32	30	36	8	0.126
36T5/30-2	30T5-36	30	6F	25	AL	47.95	46.95	51.0	34	30	36	8	0.150
36T5/32-2	32T5-36	32	6F	25	AL	51.10	50.10	54.0	38	30	36	8	0.176
36T5/36-2	36T5-36	36	6F	25	AL	57.45	56.45	64.0	38	30	36	8	0.230
36T5/40-2	40T5-36	40	6F	25	AL	63.85	62.85	66.0	40	30	36	8	0.276
36T5/42-2	42T5-36	42	6F	25	AL	67.00	66.00	70.0	40	30	36	8	0.284
36T5/44-0	44T5-36	44	6	25	AL	70.20	69.20	—	45	30	36	8	0.315
36T5/48-0	48T5-36	48	6	25	AL	76.55	75.55	—	50	30	36	8	0.400
36T5/60-0	60T5-36	60	6	25	AL	95.65	94.65	—	65	30	36	8	0.614

Note: Finished Bore & Keyway available on request.

# Metric Timing Pulleys

## T Series - 10 mm Pitch Aluminum, Pilot Bore

### Part No: 31T10/25-2

31 = Length thru Bore

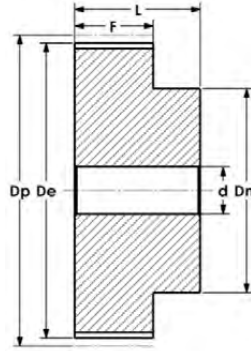
T10 = Tooth Profile and Pitch

25 = Number of Teeth

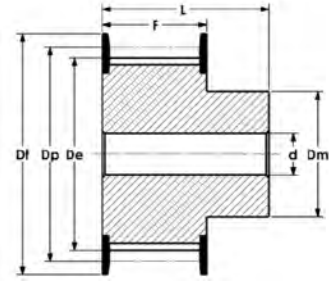
2 = Number of Flanges



Models Available



Type 6



Type 6F

### T-10 mm Pitch x 16 mm Belt Width

Dimensions in mm

Part No.	Part Code	Teeth	Type	Belt Width	Material	Dp	De	Df	Dm	F	L	d	Wt. kg
31T10/12-2	12T10-31	12	6F	16	AL	38.35	36.35	42	28	21	31	6	0.076
31T10/14-2	14T10-31	14	6F	16	AL	44.72	42.70	48	32	21	31	8	0.104
31T10/15-2	15T10-31	15	6F	16	AL	47.90	45.90	51	32	21	31	8	0.116
31T10/16-2	16T10-31	16	6F	16	AL	51.05	49.05	54	35	21	31	8	0.134
31T10/18-2	18T10-31	18	6F	16	AL	57.45	55.45	60	40	21	31	8	0.167
31T10/19-2	19T10-31	19	6F	16	AL	60.60	58.60	66	44	21	31	8	0.184
31T10/20-2	20T10-31	20	6F	16	AL	63.80	61.80	66	46	21	31	8	0.208
31T10/22-2	22T10-31	22	6F	16	AL	70.15	68.15	75	52	21	31	8	0.253
31T10/24-2	24T10-31	24	6F	16	AL	76.55	74.55	83	58	21	31	8	0.288
31T10/25-2	25T10-31	25	6F	16	AL	79.70	77.70	83	60	21	31	8	0.310
31T10/26-2	26T10-31	26	6F	16	AL	82.90	80.90	87	60	21	31	8	0.357
31T10/27-2	27T10-31	27	6F	16	AL	86.10	84.10	91	60	21	31	8	0.364
31T10/28-2	28T10-31	28	6F	16	AL	89.25	87.25	93	60	21	31	8	0.401
31T10/30-2	30T10-31	30	6F	16	AL	95.65	93.65	97	60	21	31	8	0.441
31T10/32-2	32T10-31	32	6F	16	AL	102.00	100.00	106	65	21	31	10	0.493
31T10/36-2	36T10-31	36	6F	16	AL	114.75	112.75	120	70	21	31	10	0.623
31T10/40-2	40T10-31	40	6F	16	AL	127.45	125.45	131	80	21	31	10	0.767
31T10/44-0	44T10-31	44	6	16	AL	140.20	138.20	—	88	21	31	10	0.993
31T10/48-0	48T10-31	48	6	16	AL	152.95	150.95	—	95	21	31	16	1.090
31T10/60-0	60T10-31	60	6	16	AL	191.10	189.10	—	110	21	31	16	1.701

### T-10 mm Pitch x 25 mm Belt Width

Part No.	Part Code	Teeth	Type	Belt Width	Material	Dp	De	Df	Dm	F	L	d	Wt. kg
40T10/12-2	12T10-40	12	6F	25	AL	38.35	36.35	42	28	30	40	6	0.076
40T10/14-2	14T10-40	14	6F	25	AL	44.70	42.70	48	32	30	40	8	0.104
40T10/15-2	15T10-40	15	6F	25	AL	47.90	45.90	51	32	30	40	8	0.116
40T10/16-2	16T10-40	16	6F	25	AL	51.05	49.05	54	35	30	40	8	0.134
40T10/18-2	18T10-40	18	6F	25	AL	57.45	55.45	60	40	30	40	8	0.167
40T10/19-2	19T10-40	19	6F	25	AL	60.60	58.60	66	44	30	40	8	0.184
40T10/20-2	20T10-40	20	6F	25	AL	63.80	61.80	66	46	30	40	8	0.208
40T10/22-2	22T10-40	22	6F	25	AL	70.15	68.15	75	52	30	40	8	0.253
40T10/24-2	24T10-40	24	6F	25	AL	76.55	74.55	83	58	30	40	8	0.288
40T10/25-2	25T10-40	25	6F	25	AL	79.70	77.70	83	60	30	40	8	0.310
40T10/26-2	26T10-40	26	6F	25	AL	82.90	80.90	87	60	30	40	8	0.357
40T10/27-2	27T10-40	27	6F	25	AL	86.10	84.10	91	60	30	40	8	0.364
40T10/28-2	28T10-40	28	6F	25	AL	89.25	87.25	93	60	30	40	8	0.401
40T10/30-2	30T10-40	30	6F	25	AL	95.65	93.65	97	60	30	40	8	0.441
40T10/32-2	32T10-40	32	6F	25	AL	102.00	100.00	106	65	30	40	10	0.493
40T10/36-2	36T10-40	36	6F	25	AL	114.75	112.75	120	70	30	40	10	0.623
40T10/40-2	40T10-40	40	6F	25	AL	127.45	125.45	131	80	30	40	10	0.767
40T10/44-0	44T10-40	44	6	25	AL	140.20	138.20	—	88	30	40	10	0.993
40T10/48-0	48T10-40	48	6	25	AL	152.95	150.95	—	95	30	40	16	1.090
40T10/60-0	60T10-40	60	6	25	AL	191.10	189.10	—	110	30	40	16	1.701

Note: Finished Bore & Keyway available on request.

# Metric Timing Pulleys



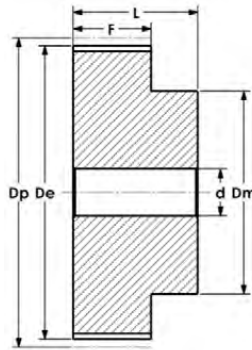
## T Series - 10 mm Pitch Aluminum, Pilot Bore

### Part No: 47T10/28-2

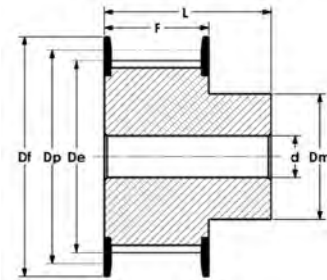
- 47 = Length thru Bore
- T10 = Tooth Profile and Pitch
- 28 = Number of Teeth
- 2 = Number of Flanges



Models Available



Type 6



Type 6F

### T-10 mm Pitch x 32 mm Belt Width

Dimensions in mm

Part No.	Part Code	Teeth	Type	Belt Width	Material	Dp	De	Df	Dm	F	L	d	Wt. kg
47T10/18-2	18T10-47	18	6F	32	AL	57.45	55.45	60	40	37	47	10	0.253
47T10/19-2	19T10-47	19	6F	32	AL	60.65	58.60	66	44	37	47	10	0.286
47T10/20-2	20T10-47	20	6F	32	AL	63.80	61.80	66	46	37	47	12	0.322
47T10/22-2	22T10-47	22	6F	32	AL	70.20	68.15	75	52	37	47	12	0.939
47T10/24-2	24T10-47	24	6F	32	AL	76.55	74.55	83	58	37	47	12	0.475
47T10/25-2	25T10-47	25	6F	32	AL	79.75	77.70	83	60	37	47	12	0.527
47T10/26-2	26T10-47	26	6F	32	AL	82.90	80.90	87	60	37	47	12	0.564
47T10/27-2	27T10-47	27	6F	32	AL	86.10	84.10	91	60	37	47	12	0.602
47T10/28-2	28T10-47	28	6F	32	AL	89.25	87.25	93	60	37	47	12	0.642
47T10/30-2	30T10-47	30	6F	32	AL	95.65	93.65	97	60	37	47	12	0.740
47T10/32-2	32T10-47	32	6F	32	AL	102.00	100.00	106	65	37	47	12	0.844
47T10/36-2	36T10-47	36	6F	32	AL	114.75	112.75	120	70	37	47	16	1.063
47T10/40-2	40T10-47	40	6F	32	AL	127.45	125.45	131	80	37	47	16	1.317
47T10/44-0	44T10-47	44	6	32	AL	140.20	138.20	—	88	37	47	16	1.611
47T10/48-0	48T10-47	48	6	32	AL	152.95	150.95	—	95	37	47	16	1.931
47T10/60-0	60T10-47	60	6	32	AL	191.10	189.10	—	110	37	47	16	3.004

### T-10 mm Pitch x 50 mm Belt Width

Part No.	Part Code	Teeth	Type	Belt Width	Material	Dp	De	Df	Dm	F	L	d	Wt. kg
66T10/18-2	18T10-66	18	6F	50	AL	57.45	55.45	60	40	56	66	10	0.422
66T10/19-2	19T10-66	19	6F	50	AL	60.65	58.60	66	44	56	66	10	0.466
66T10/20-2	20T10-66	20	6F	50	AL	63.80	61.80	66	46	56	66	12	0.520
66T10/22-2	22T10-66	22	6F	50	AL	70.20	68.15	75	52	56	66	12	0.570
66T10/24-2	24T10-66	24	6F	50	AL	76.55	74.55	83	58	56	66	12	0.736
66T10/25-2	25T10-66	25	6F	50	AL	79.75	77.70	83	60	56	66	12	0.766
66T10/26-2	26T10-66	26	6F	50	AL	82.90	80.90	87	60	56	66	12	0.816
66T10/27-2	27T10-66	27	6F	50	AL	86.10	84.10	91	60	56	66	12	0.946
66T10/28-2	28T10-66	28	6F	50	AL	89.25	87.25	93	60	56	66	12	0.960
66T10/30-2	30T10-66	30	6F	50	AL	95.65	93.65	97	60	56	66	12	1.169
66T10/32-2	32T10-66	32	6F	50	AL	102.00	100.00	106	65	56	66	12	1.300
66T10/36-2	36T10-66	36	6F	50	AL	114.75	112.75	120	70	56	66	16	1.637
66T10/40-2	40T10-66	40	6F	50	AL	127.45	125.45	131	80	56	66	16	1.999
66T10/44-0	44T10-66	44	6	50	AL	140.20	138.20	—	88	56	66	16	2.357
66T10/48-0	48T10-66	48	6	50	AL	152.95	150.95	—	95	56	66	16	2.830
66T10/60-0	60T10-66	60	6	50	AL	191.10	189.10	—	110	56	66	16	4.366

Note: Finished Bore & Keyway available on request

# Metric Timing Pulleys

## AT Series - 5 mm Pitch Aluminum, Pilot Bore



### Part No: 21AT5/20-2

21 = Length thru Bore

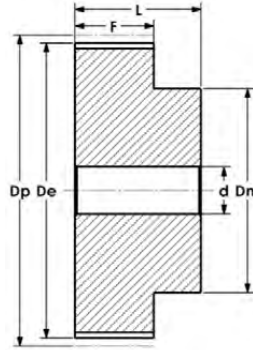
AT5 = Tooth Profile and Pitch

20 = Number of Teeth

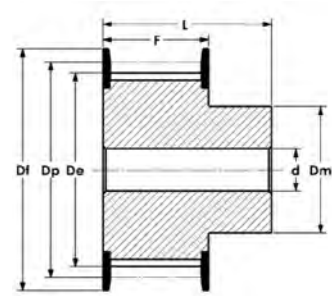
2 = Number of Flanges



Models Available



Type 6



Type 6F

### AT 5 mm Pitch x 10 mm Belt Width

Dimensions in mm

Part No.	Part Code	Teeth	Type	Dp	De	Df	Dm	F	L	d	Wt. kg
21AT5/12-2	12ST5-21	12	6F	19.25	17.85	23.0	11	15	21	4	0.018
21AT5/14-2	14ST5-21	14	6F	22.45	21.05	25.0	14	15	21	4	0.019
21AT5/15-2	15ST5-21	15	6F	24.05	22.65	28.0	16	15	21	6	0.021
21AT5/16-2	16ST5-21	16	6F	25.60	24.20	32.0	18	15	21	6	0.025
21AT5/18-2	18ST5-21	18	6F	28.80	27.40	32.0	20	15	21	6	0.031
21AT5/19-2	19ST5-21	19	6F	30.40	29.00	36.0	22	15	21	6	0.036
21AT5/20-2	20ST5-21	20	6F	32.00	30.60	36.0	23	15	21	6	0.038
21AT5/22-2	22ST5-21	22	6F	35.25	33.85	38.0	24	15	21	6	0.048
21AT5/24-2	24ST5-21	24	6F	38.40	37.00	42.0	26	15	21	6	0.054
21AT5/25-2	25ST5-21	25	6F	40.00	38.60	44.0	26	15	21	6	0.058
21AT5/26-2	26ST5-21	26	6F	41.60	40.20	44.0	26	15	21	6	0.062
21AT5/27-2	27ST5-21	27	6F	43.20	41.80	48.0	30	15	21	8	0.064
21AT5/28-2	28ST5-21	28	6F	44.75	43.35	48.0	32	15	21	8	0.071
21AT5/30-2	30ST5-21	30	6F	47.95	46.55	51.0	34	15	21	8	0.076
21AT5/32-2	32ST5-21	32	6F	51.10	49.70	54.0	38	15	21	8	0.088
21AT5/36-2	36ST5-21	36	6F	57.45	56.05	64.0	38	15	21	8	0.114
21AT5/40-2	40ST5-21	40	6F	63.85	62.45	66.0	40	15	21	8	0.138
21AT5/42-2	42ST5-21	42	6F	67.00	65.60	70.0	40	15	21	8	0.180
21AT5/44-0	44ST5-21	44	6	70.20	68.80	—	45	15	21	8	0.185
21AT5/48-0	48ST5-21	48	6	76.55	75.15	—	50	15	21	8	0.200
21AT5/60-0	60ST5-21	60	6	95.65	94.25	—	65	15	21	8	0.307

### AT 5 mm Pitch x 16 mm Belt Width

Part No.	Part Code	Teeth	Type	Dp	De	Df	Dm	F	L	d	Wt. kg
27AT5/12-2	12ST5-27	12	6F	19.25	17.85	23.0	11	21	27	4	0.022
27AT5/14-2	14ST5-27	14	6F	22.45	21.05	25.0	14	21	27	4	0.026
27AT5/15-2	15ST5-27	15	6F	24.05	22.65	28.0	16	21	27	6	0.029
27AT5/16-2	16ST5-27	16	6F	25.60	24.20	32.0	18	21	27	6	0.035
27AT5/18-2	18ST5-27	18	6F	28.80	27.40	32.0	20	21	27	6	0.043
27AT5/19-2	19ST5-27	19	6F	30.40	29.00	36.0	22	21	27	6	0.049
27AT5/20-2	20ST5-27	20	6F	32.00	30.60	36.0	23	21	27	6	0.053
27AT5/22-2	22ST5-27	22	6F	35.25	33.85	38.0	24	21	27	6	0.054
27AT5/24-2	24ST5-27	24	6F	38.40	37.00	42.0	26	21	27	6	0.076
27AT5/25-2	25ST5-27	25	6F	40.00	38.60	44.0	26	21	27	6	0.081
27AT5/26-2	26ST5-27	26	6F	41.60	40.20	44.0	26	21	27	6	0.085
27AT5/27-2	27ST5-27	27	6F	43.20	41.80	48.0	30	21	27	8	0.090
27AT5/28-2	28ST5-27	28	6F	44.75	43.35	48.0	32	21	27	8	0.092
27AT5/30-2	30ST5-27	30	6F	47.95	46.55	51.0	34	21	27	8	0.105
27AT5/32-2	32ST5-27	32	6F	51.10	49.70	54.0	38	21	27	8	0.123
27AT5/36-2	36ST5-27	36	6F	57.45	56.05	64.0	38	21	27	8	0.160
27AT5/40-2	40ST5-27	40	6F	63.85	62.45	66.0	40	21	27	8	0.193
27AT5/42-2	42ST5-27	42	6F	67.00	65.60	70.0	40	21	27	8	0.205
27AT5/44-0	44ST5-27	44	6	70.20	68.80	—	45	21	27	8	0.228
27AT5/48-0	48ST5-27	48	6	76.55	75.15	—	50	21	27	8	0.280
27AT5/60-0	60ST5-27	60	6	95.65	94.25	—	65	21	27	8	0.430

Note: Finished Bore & Keyway available on request.

# Metric Timing Pulleys

## AT Series - 5 and 10mm Pitch

### Aluminum, Pilot Bore



#### Part No: 36AT5/20-2

36 = Length thru Bore

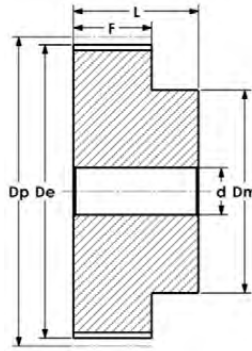
AT5 = Tooth Profile and Pitch

20 = Number of Teeth

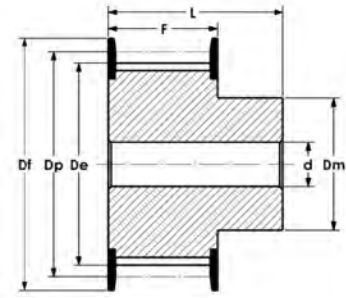
2 = Number of Flanges



Models Available



Type 6



Type 6F

#### AT 5 mm Pitch x 25 mm Belt Width

Dimensions in mm

Part No.	Part Code	Teeth	Type	Dp	De	Df	Dm	F	L	d	Wt. kg
36AT5/12-2	12ST5-36	12	6F	19.25	17.85	23.0	11	30	36	—	0.031
36AT5/14-2	14ST5-36	14	6F	22.45	21.05	25.0	14	30	36	—	0.037
36AT5/15-2	15ST5-36	15	6F	24.05	22.65	28.0	16	30	36	—	0.041
36AT5/16-2	16ST5-36	16	6F	25.60	24.20	32.0	18	30	36	—	0.050
36AT5/18-2	18ST5-36	18	6F	28.80	27.40	32.0	20	30	36	—	0.061
36AT5/19-2	19ST5-36	19	6F	30.40	29.00	36.0	22	30	36	—	0.070
36AT5/20-2	20ST5-36	20	6F	32.00	30.60	36.0	23	30	36	—	0.076
36AT5/22-2	22ST5-36	22	6F	35.25	33.85	38.0	24	30	36	—	0.080
36AT5/24-2	24ST5-36	24	6F	38.40	37.00	42.0	26	30	36	—	0.109
36AT5/25-2	25ST5-36	25	6F	40.00	38.60	44.0	26	30	36	—	0.118
36AT5/26-2	26ST5-36	26	6F	41.60	40.20	44.0	26	30	36	—	0.120
36AT5/27-2	27ST5-36	27	6F	43.20	41.80	48.0	30	30	36	8	0.128
36AT5/28-2	28ST5-36	28	6F	44.75	43.35	48.0	32	30	36	8	0.135
36AT5/30-2	30ST5-36	30	6F	47.95	46.55	51.0	34	30	36	8	0.150
36AT5/32-2	32ST5-36	32	6F	51.10	49.70	54.0	38	30	36	8	0.178
36AT5/36-2	36ST5-36	36	6F	57.45	56.05	64.0	38	30	36	8	0.230
36AT5/40-2	40ST5-36	40	6F	63.85	62.45	66.5	40	30	36	8	0.278
36AT5/42-2	42ST5-36	42	6F	67.00	65.60	70.0	40	30	36	8	0.284
36AT5/44-0	44ST5-36	44	6	70.20	68.80	—	45	30	36	8	0.315
36AT5/48-0	48ST5-36	48	6	76.55	75.15	—	50	30	36	8	0.400
36AT5/60-0	60ST5-36	60	6	95.65	94.25	—	65	30	36	8	0.614

#### AT 10 mm Pitch x 16 mm Belt Width

Part No.	Part Code	Teeth	Type	Dp	De	Df	Dm	F	L	d	Wt. kg
31AT10/15-2	15ST10-31	15	6F	47.90	45.90	51	32	21	31	8	0.118
31AT10/16-2	16ST10-31	16	6F	51.05	49.05	54	35	21	31	8	0.134
31AT10/18-2	18ST10-31	18	6F	57.45	55.45	60	40	21	31	8	0.167
31AT10/19-2	19ST10-31	19	6F	60.60	58.60	66.5	44	21	31	8	0.184
31AT10/20-2	20ST10-31	20	6F	63.80	61.80	66.5	46	21	31	8	0.208
31AT10/22-2	22ST10-31	22	6F	70.15	68.15	75	52	21	31	8	0.253
31AT10/24-2	24ST10-31	24	6F	76.55	74.55	83	58	21	31	8	0.288
31AT10/25-2	25ST10-31	25	6F	79.70	77.70	83	60	21	31	8	0.310
31AT10/26-2	26ST10-31	26	6F	82.90	80.90	87	60	21	31	8	0.357
31AT10/27-2	27ST10-31	27	6F	86.10	84.10	91	60	21	31	8	0.364
31AT10/28-2	28ST10-31	28	6F	89.25	87.25	93	60	21	31	8	0.401
31AT10/30-2	30ST10-31	30	6F	95.65	93.65	97	60	21	31	8	0.441
31AT10/32-2	32ST10-31	32	6F	102.00	100.00	106	65	21	31	10	0.493
31AT10/36-2	36ST10-31	36	6F	114.75	112.75	119	70	30	36	10	0.623
31AT10/40-2	40ST10-31	40	6F	127.45	125.45	131	80	21	31	10	0.787
31AT10/44-0	44ST10-31	44	6	140.20	138.20	—	88	21	31	10	0.993
31AT10/48-0	48ST10-31	48	6	152.95	150.95	—	95	21	31	16	1.090
31AT10/60-0	60ST10-31	60	6	191.10	189.10	—	110	21	31	16	1.701

Note: Finished Bore & Keyway available on request.

# Metric Timing Pulleys

## AT Series - 10 mm Pitch

### Aluminum, Pilot Bore

**Part No:** 40AT10/20-2

40 = Length thru Bore

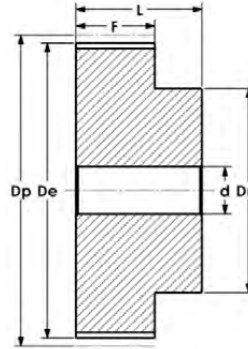
AT10 = Tooth Profile and Pitch

20 = Number of Teeth

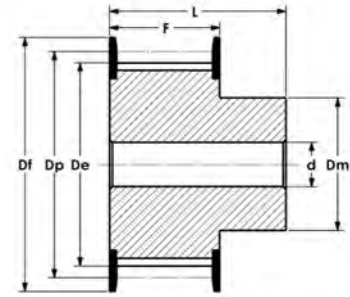
2 = Number of Flanges



Models Available



Type 6



Type 6F

#### AT 10 mm Pitch x 25 mm Belt Width

Dimensions in mm

Part No.	Part Code	Teeth	Type	Dp	De	Df	Dm	F	L	d	Wt. kg
40AT10/15-2	15ST10-40	15	6F	47.90	45.90	51	31	30	40	8	0.152
40AT10/16-2	16ST10-40	16	6F	51.05	49.05	54	35	30	40	8	0.176
40AT10/18-2	18ST10-40	18	6F	57.45	55.45	60	40	30	40	8	0.224
40AT10/19-2	19ST10-40	19	6F	60.60	58.60	66	44	30	40	8	0.247
40AT10/20-2	20ST10-40	20	6F	63.80	61.80	66	46	30	40	8	0.276
40AT10/22-2	22ST10-40	22	6F	70.15	68.15	75	52	30	40	8	0.337
40AT10/24-2	24ST10-40	24	6F	76.55	74.55	83	58	30	40	8	0.392
40AT10/25-2	25ST10-40	25	6F	79.70	77.70	83	60	30	40	8	0.422
40AT10/26-2	26ST10-40	26	6F	82.90	80.90	87	60	30	40	8	0.477
40AT10/27-2	27ST10-40	27	6F	86.10	84.10	91	60	30	40	8	0.536
40AT10/28-2	28ST10-40	28	6F	89.25	87.25	93	60	30	40	8	0.540
40AT10/30-2	30ST10-40	30	6F	95.65	93.65	97	60	30	40	8	0.640
40AT10/32-2	32ST10-40	32	6F	102.00	100.00	106	65	30	40	10	0.693
40AT10/36-2	36ST10-40	36	6F	114.75	112.75	120	70	30	40	10	0.873
40AT10/40-2	40ST10-40	40	6F	127.45	125.45	135	80	30	40	10	1.067
40AT10/44-0	44ST10-40	44	6	140.20	138.20	—	88	30	40	10	1.350
40AT10/48-0	48ST10-40	48	6	152.95	150.95	—	95	30	40	16	1.516
40AT10/60-0	60ST10-40	60	6	191.10	189.10	—	110	30	40	16	2.339

#### AT 10 mm Pitch x 32 mm Belt Width

Part No.	Part Code	Teeth	Type	Dp	De	Df	Dm	F	L	d	Wt. kg
47AT10/18-2	18ST10-47	18	6F	57.45	55.45	60	40	37	47	10	0.253
47AT10/19-2	19ST10-47	19	6F	60.60	58.60	66	44	37	47	10	0.286
47AT10/20-2	20ST10-47	20	6F	63.80	61.80	66	46	37	47	12	0.322
47AT10/22-2	22ST10-47	22	6F	70.15	68.15	75	52	37	47	12	0.393
47AT10/24-2	24ST10-47	24	6F	76.55	74.55	83	58	37	47	12	0.475
47AT10/25-2	25ST10-47	25	6F	79.70	77.70	83	60	37	47	12	0.527
47AT10/26-2	26ST10-47	26	6F	82.90	80.90	87	60	37	47	12	0.564
47AT10/27-2	27ST10-47	27	6F	86.10	84.10	91	60	37	47	12	0.602
47AT10/28-2	28ST10-47	28	6F	89.25	87.25	93	60	37	47	12	0.642
47AT10/30-2	30ST10-47	30	6F	95.65	93.65	97	60	37	47	12	0.740
47AT10/32-2	32ST10-47	32	6F	102.00	100.00	106	65	37	47	12	0.844
47AT10/36-2	36ST10-47	36	6F	114.75	112.75	120	70	37	47	16	1.063
47AT10/40-2	40ST10-47	40	6F	127.45	125.45	135	80	37	47	16	1.317
47AT10/44-0	44ST10-47	44	6	140.20	138.20	—	88	37	47	16	1.611
47AT10/48-0	48ST10-47	48	6	152.95	150.95	—	95	37	47	16	1.931
47AT10/60-0	60ST10-47	60	6	191.10	189.10	—	110	37	47	16	3.004

Note: Finished Bore & Keyway available on request.



# Metric Timing Pulleys

AT Series - 10 mm Pitch

Aluminum - Pilot Bore



Part No: 66AT10/20-2

66 = Length thru Bore

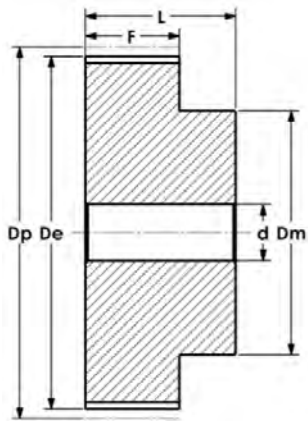
AT10 = Tooth Profile and Pitch

20 = Number of Teeth

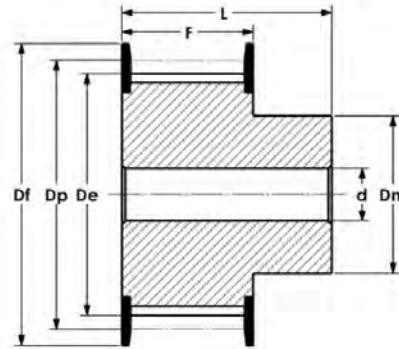
2 = Number of Flanges



Models Available



Type 6



Type 6F

AT 10 mm Pitch x 50 mm Belt Width

Dimensions in mm

Part No.	Part Code	Teeth	Type	Dp	De	Df	Dm	F	L	d	Wt. kg
66AT10/18-2	18ST10-66	18	6F	57.45	55.45	60	40	56	66	10	0.422
66AT10/19-2	19ST10-66	19	6F	60.60	58.60	66.5	44	56	66	10	0.466
66AT10/20-2	20ST10-66	20	6F	63.80	61.80	66.5	46	56	66	12	0.520
66AT10/22-2	22ST10-66	22	6F	70.15	68.15	75	52	56	66	12	0.570
66AT10/24-2	24ST10-66	24	6F	76.55	74.55	83	58	56	66	12	0.736
66AT10/25-2	25ST10-66	25	6F	79.70	77.70	83	60	56	66	12	0.766
66AT10/26-2	26ST10-66	26	6F	82.90	80.90	87	60	56	66	12	0.816
66AT10/27-2	27ST10-66	27	6F	86.10	84.10	91	60	56	66	12	0.946
66AT10/28-2	28ST10-66	28	6F	89.25	87.25	93	60	56	66	12	0.960
66AT10/30-2	30ST10-66	30	6F	95.65	93.65	97	60	56	66	12	1.169
66AT10/32-2	32ST10-66	32	6F	102.00	100.00	106	65	56	66	12	1.300
66AT10/36-2	36ST10-66	36	6F	114.75	112.75	119	70	56	66	16	1.637
66AT10/40-2	40ST10-66	40	6F	127.45	125.45	131	80	56	66	16	1.999
66AT10/44-0	44ST10-66	44	6	140.20	138.20	—	88	56	66	16	2.357
66AT10/48-0	48ST10-66	48	6	152.95	150.95	—	95	56	66	16	2.830
66AT10/60-0	60ST10-66	60	6	191.10	189.10	—	110	56	66	16	4.368

Note: Finished Bore & Keyway available on request.

# 5M HTD® Pulleys - Taper Bushed



## 5 mm Pitch x 15 mm Belt Width

### Part No. TL40-5M-15

TL = Taper Bushed Version

40 = No. of Teeth

5M = Pitch (5, 8 and 14mm)

15 = Width of belt (20, 30, 50 and 85)



Models Available

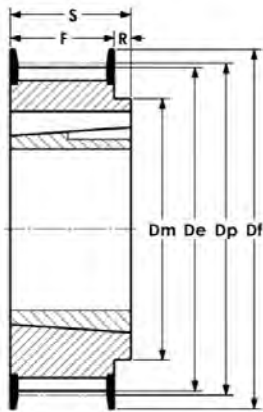


Fig 8F

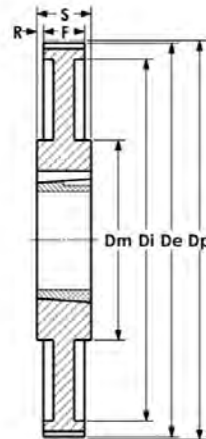


Fig 7A

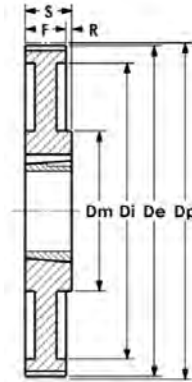


Fig 8A

Dimensions in mm

Part No.	Bushing	Teeth	Belt Width	Material	Figure	Dp	De	Df	Dm	Di	F	S	R	Wt. kg
TL34-5M-15	1008	34	15	ST	8F	54.11	52.97	57	43	—	20.5	22	1.5	0.19
TL36-5M-15	1108	36	15	ST	8F	57.30	56.16	60	44	—	20.5	22	1.5	0.20
TL38-5M-15	1108	38	15	ST	8F	69.48	59.34	66	48	—	20.5	22	1.5	0.25
TL40-5M-15	1108	40	15	ST	8F	63.66	62.52	71	52	—	20.5	22	1.5	0.31
TL44-5M-15	1108	44	15	ST	8F	70.03	68.89	75	54	—	20.5	22	1.5	0.40
TL48-5M-15	1210	48	15	ST	8F	76.39	75.25	83	64	—	20.5	25	4.5	0.45
TL56-5M-15	1210	56	15	GG	8F	89.13	87.99	93	70	—	20.5	25	4.5	0.67
TL64-5M-15	1210	64	15	GG	8F	101.86	100.72	106	78	—	20.5	25	4.5	0.96
TL72-5M-15	1610	72	15	GG	8A	114.59	113.45	—	92	—	22.0	25	3.0	1.19
TL80-5M-15	1610	80	15	GG	8A	127.32	126.18	—	92	—	22.0	25	3.0	1.57
TL90-5M-15	1610	90	15	GG	8A	143.24	142.10	—	92	126	22.0	25	3.0	1.47
TL112-5M-15	1610	112	15	GG	7A	178.25	177.11	—	92	162	20.5	25	2.3	1.94
TL136-5M-15	2012	136	15	GG	7A	216.45	215.31	—	106	199	20.5	32	5.8	3.06
TL150-5M-15	2012	150	15	GG	7A	238.73	237.59	—	106	222	20.5	32	5.8	3.90

Note: ST = Steel, GG = Cast Iron.

# 8M HTD® Pulleys - Taper Bushed

8 mm HTD® x 20, 30, 50 and 85 mm Belt Widths



## Part No. TL32-8M-50

- TL = Taper Bushed Version
- 32 = No. of Teeth
- 8M = Pitch (5, 8 and 14mm)
- 50 = Width of belt (20, 30, 50 and 85)



Models Available

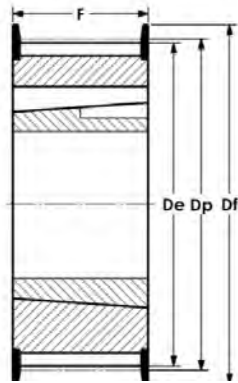


Fig 3F

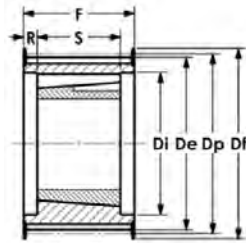


Fig 4F

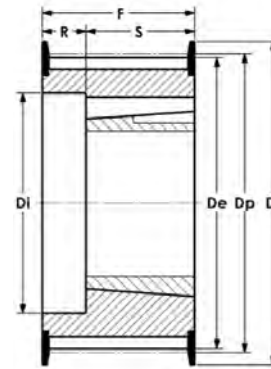


Fig 5F

Dimensions in mm

Part No.	Bushing	Teeth	Belt Width	Material	Figure	Dp	De	Df	Dm	Di	F	S	R	Wt. kg
TL22-8M-20	1008	22	20	GG	5F	56.02	54.65	60.0	—	41	28	22	6.0	0.24
TL22-8M-30	1008		30	GG	5F	56.02	54.65	60.0	—	41	38	22	16.0	0.29
TL24-8M-20	1108	24	20	GG	5F	61.12	59.75	66.0	—	42	28	22	6.0	0.30
TL24-8M-30	1108		30	GG	5F	61.12	59.75	66.0	—	42	38	22	16.0	0.38
TL26-8M-20	1108	26	20	GG	5F	66.21	64.84	71.0	—	46	28	22	6.0	0.36
TL26-8M30	1108		30	GG	5F	66.21	64.84	71.0	—	46	38	22	16.0	0.45
TL28-8M-20	1108	28	20	GG	5F	71.30	70.08	75.0	—	50	28	22	6.0	0.44
TL28-8M-30	1210		30	ST	5F	71.30	70.08	75.0	—	50	38	25	13.0	0.50
TL28-8M-50	1210		50	ST	5F	71.30	70.08	75.0	—	50	60	25	35.0	0.60
TL30-8M-20	1108	30	20	GG	5F	76.39	75.13	83.0	—	58	28	22	6.0	0.53
TL30-8M-30	1615		30	ST	3F	76.39	75.13	83.0	—	—	38	38	—	0.55
TL30-8M-50	1615		50	ST	5F	76.39	75.13	83.0	—	58	60	38	22.0	0.65
TL32-8M-20	1610	32	20	GG	5F	81.49	80.16	87.0	—	62	28	25	3.0	0.42
TL32-8M-30	1615		30	GG	3F	81.49	80.16	87.0	—	—	38	38	—	0.59
TL32-8M-50	1615		50	GG	5F	81.49	80.16	87.0	—	62	60	38	22.0	0.82
TL34-8M-20	1610	34	20	GG	5F	86.58	85.79	91.0	—	65	28	25	3.0	0.55
TL34-8M-30	1615		30	GG	3F	86.58	85.22	91.0	—	—	38	38	—	0.77
TL34-8M-50	1615		50	GG	5F	86.58	85.22	91.0	—	65	60	38	22.0	1.06
TL34-8M-85	1615		85	GG	4F	86.58	85.22	91.0	—	65	95	38	28.5	1.43
TL36-8M-20	1610	36	20	GG	5F	91.67	90.30	98.5	—	68	28	25	3.0	0.68
TL36-8M-30	1615		30	GG	3F	91.67	90.30	98.5	—	—	38	38	—	0.96
TL36-8M-50	1615		50	GG	5F	91.67	90.30	98.5	—	68	60	38	22.0	1.30
TL36-8M-85	1615		85	GG	4F	91.67	90.30	98.5	—	68	95	38	28.5	1.87
TL38-8M-20	1610	38	20	GG	5F	96.77	95.39	103.0	—	72	28	25	3.0	0.80
TL38-8M-30	1615		30	GG	3F	96.77	95.39	103.0	—	—	38	38	—	1.15
TL38-8M-50	1615		50	GG	3F	96.77	95.39	103.0	—	72	60	38	22.0	1.60
TL38-8M-85	1615		85	GG	4F	96.77	95.39	103.0	—	72	95	38	28.5	2.20

Note: GG = Cast Iron. ST = Steel.

# 8M HTD® Pulleys - Taper Bushed



8 mm HTD® x 20, 30, 50 and 85 mm Belt Widths

Part No. TL48-8M-50

TL = Taper Bushed Version

48 = No. of Teeth

8M = Pitch (5, 8 and 14mm)

50 = Width of belt (20, 30, 50 and 85)



Models Available

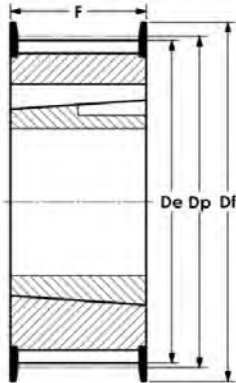


Fig 3F

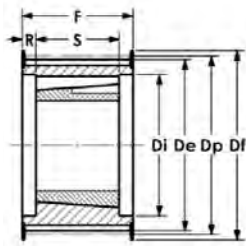


Fig 4F

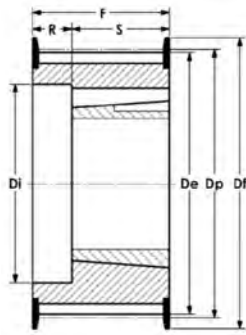


Fig 5F

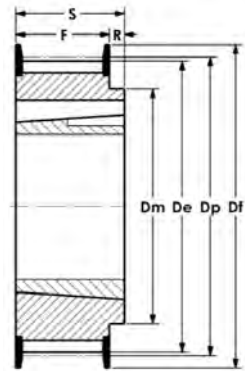


Fig 8F



Fig 8WF

Dimensions in mm

Part No.	Bushing	Teeth	Belt Width	Material	Figure	Dp	De	Df	Dm	Di	F	S	R	Wt. kg
TL40-8M-20	1610	40	20	GG	5F	101.86	100.49	106.0	—	76	28	25	3.0	1.00
TL40-8M-30	1615		30	GG	3F	101.86	100.49	106.0	—	—	38	38	—	1.34
TL40-8M-50	2012		50	GG	4F	101.86	100.49	106.0	—	82	60	32	14.0	1.71
TL40-8M-85	2012		85	GG	4F	101.86	100.49	106.0	—	82	95	32	31.5	1.80
TL44-8M-20	2012	44	20	GG	8F	112.05	110.67	119.0	93	—	28	32	4.0	1.20
TL44-8M-30	2012		30	GG	4F	112.05	110.67	119.0	—	91	38	32	3.0	1.33
TL44-8M-50	2012		50	GG	4F	112.05	110.67	119.0	—	91	60	32	14.0	1.78
TL44-8M-85	2012		85	GG	4F	112.05	110.67	119.0	—	91	95	32	31.5	2.30
TL48-8M-20	2012	48	20	GG	8F	122.23	120.86	127.0	96	—	28	32	4.0	1.60
TL48-8M-30	2012		30	GG	4F	122.23	120.86	127.0	—	95	38	32	3.0	1.78
TL48-8M-50	2012		50	GG	4F	122.23	120.86	127.0	—	96	60	32	14.0	2.30
TL48-8M-85	2517		85	GG	4F	122.23	120.86	127.0	—	100	95	45	25.0	2.66
TL56-8M-20	2012	56	20	GG	8F	142.60	141.23	148.0	110	—	28	32	4.0	2.40
TL56-8M-30	2012		30	GG	4F	142.60	141.23	148.0	—	117	38	32	3.0	3.76
TL56-8M-50	2517		50	GG	4F	142.60	141.23	148.0	—	116	60	45	7.5	3.40
TL56-8M-85	2517		85	GG	4F	142.60	141.23	148.0	—	117	95	45	25.0	4.45
TL64-8M-20	2012	64	20	GG	8WF	162.97	161.60	168.0	110	137	28	32	4.0	2.70
TL64-8M-30	2517		30	GG	8F	162.97	161.60	168.0	125	—	38	45	7.0	4.20
TL64-8M-50	2517		50	GG	4F	162.97	161.60	168.0	—	137	60	45	7.5	5.00
TL64-8M-85	2517		85	GG	4F	162.97	161.60	168.0	—	137	95	45	25.0	6.20

Note: GG = Cast Iron.

# 8M HTD® Pulleys - Taper Bushed



8 mm HTD® x 20, 30, 50 and 85 mm Belt Widths

Part No. TL80-8M-20

- TL = Taper Bushed Version
- 80 = No. of Teeth
- 8M = Pitch (5, 8 and 14mm)
- 20 = Width of belt (20, 30, 50 and 85)



Models Available

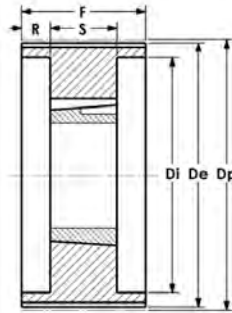


Fig 4

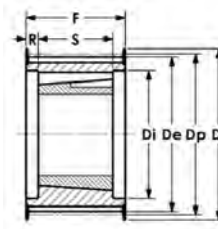


Fig 4F

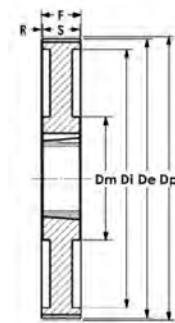


Fig 9A

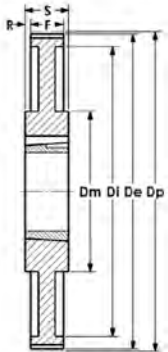


Fig 7A

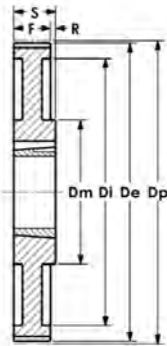


Fig 8A

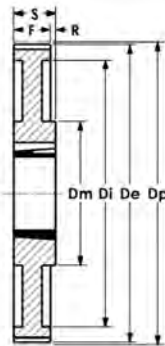


Fig 8W



Fig 8WF

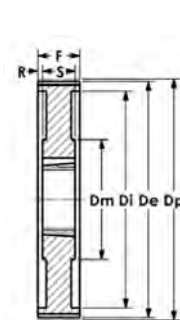


Fig 9W

Dimensions in mm

Part No.	Bushing	Teeth	Belt Width	Material	Figure	Dp	De	Df	Dm	Di	F	S	R	Wt. kg
TL72-8M-20	2012	72	20	GG	8WF	183.35	181.97	192.0	110	158	28	32	4.0	3.30
TL72-8M-30	2517		30	GG	8WF	183.35	181.97	192.0	125	158	38	45	7.0	4.30
TL72-8M-50	2517		50	GG	4F	183.35	181.97	192.0	125	158	60	45	7.5	6.70
TL72-8M-85	3020		85	GG	4F	183.35	181.97	192.0	—	158	95	51	22.0	8.00
TL80-8M-20	2012	80	20	GG	8W	203.72	202.35	—	110	180	28	32	4.0	3.50
TL80-8M-30	2517		30	GG	8W	203.72	202.35	—	125	180	38	45	7.0	4.60
TL80-8M-50	3020		50	GG	4	203.72	202.35	—	—	180	60	51	4.5	8.80
TL80-8M-85	3020		85	GG	4	203.72	202.35	—	—	180	95	51	22.0	10.00
TL90-8M-20	2012	90	20	GG	8A	229.18	227.81	—	110	204	28	32	4.0	3.65
TL90-8M-30	2517		30	GG	8A	229.18	227.81	—	125	204	38	45	7.0	5.00
TL90-8M-50	3020		50	GG	9W	229.18	227.81	—	170	204	60	51	4.5	10.00
TL90-8M-85	3020		85	GG	9W	229.18	227.81	—	170	204	95	51	22.0	10.80
TL112-8M-30	2517	112	30	GG	8A	285.21	283.83	—	125	260	38	45	7.0	6.20
TL112-8M-50	3020		50	GG	9W	285.21	283.83	—	170	260	60	51	4.5	12.00
TL112-8M-85	3020		85	GG	9W	285.21	283.83	—	170	260	95	51	22.0	15.00
TL144-8M-30	2517	144	30	GG	8A	366.69	365.32	—	125	341	38	45	7.0	9.00
TL144-8M-50	3020		50	GG	9A	366.69	365.32	—	170	341	60	51	4.5	15.20
TL144-8M-85	3525		85	GG	9A	366.69	365.32	—	190	341	95	65	15.0	20.00
TL168-8M-50	3525	168	50	GG	7A	427.81	426.44	—	190	402	60	65	2.5	16.40
TL168-8M-85	3525		85	GG	9A	427.81	426.44	—	190	402	95	65	15.0	23.00
TL192-8M-50	3525	192	50	GG	7A	488.92	487.55	—	190	460	60	65	2.5	21.80
TL192-8M-85	3525		85	GG	9A	488.92	487.55	—	190	460	95	65	15.0	28.50

Note: GG = Cast Iron.

# 14M HTD® Pulleys - Taper Bushed



14 mm HTD® x 40, 55, 85, 115 and 170 mm Belt Widths

## Part No. TL36-14M-40

- TL = Taper Bushed Version
- 36 = No. of Teeth
- 14M = Pitch (5, 8 and 14mm)
- 40 = Width of belt (40, 55, 85, 115 and 170)



Models Available

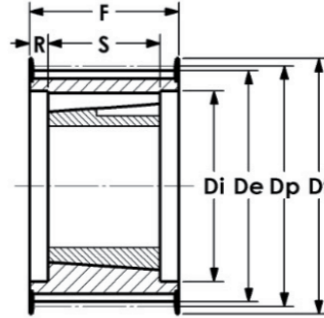


Fig 4F

Dimensions in mm

Part No.	Bushing	Teeth	Belt Width	Material	Figure	Dp	De	Df	Dm	Di	F	S	R	Wt. kg
TL28-14M-40	2012	28	40	GG	4F	124.78	122.12	127	—	98	54	32	11.0	2.07
TL28-14M-55	2012		55	GG	4F	124.78	122.12	127	—	98	70	32	19.0	2.20
TL28-14M-85*	2517		85	GG	4F	124.78	122.12	127	—	98	102	45	28.5	2.70
TL28-14M-115*	2517		115	GG	4F	124.78	122.12	127	—	98	133	45	44.0	3.77
TL29-14M-40	2012	29	40	GG	4F	129.23	126.57	138	—	100	54	32	11.0	2.38
TL29-14M-55	2012		55	GG	4F	129.23	126.57	138	—	100	70	32	19.0	2.74
TL29-14M-85*	2517		85	GG	4F	129.23	126.57	138	—	100	102	45	28.5	3.40
TL29-14M-115*	2517		115	GG	4F	129.23	126.57	138	—	100	133	45	44.0	4.00
TL30-14M-40	2012	30	40	GG	4F	133.69	130.99	138	—	100	54	32	11.0	2.65
TL30-14M-55*	2517		55	GG	4F	133.69	130.99	138	—	100	70	45	12.5	2.70
TL30-14M-85*	2517		85	GG	4F	133.69	130.99	138	—	100	102	45	28.5	3.75
TL30-14M-115*	2517		115	GG	4F	133.69	130.99	138	—	100	133	45	44.0	5.00
TL32-14M-40	2012	32	40	GG	4F	142.60	139.88	154	—	104	54	32	11.0	3.40
TL32-14M-55*	2517		55	GG	4F	142.60	139.88	154	—	108	70	45	12.5	3.66
TL32-14M-85*	2517		85	GG	4F	142.60	139.88	154	—	108	102	45	28.5	4.80
TL32-14M-115*	2517		115	GG	4F	142.60	139.88	154	—	108	133	45	44.0	6.80
TL34-14M-40*	2517	34	40	GG	4F	151.52	148.79	160	—	110	54	45	4.5	3.87
TL34-14M-55*	2517		55	GG	4F	151.52	148.79	160	—	110	70	45	12.5	4.55
TL34-14M-85*	2517		85	GG	4F	151.52	148.79	160	—	110	102	45	28.5	6.00
TL34-14M-115*	2517		115	GG	4F	151.52	148.79	160	—	110	133	45	44.0	6.80
TL36-14M-40*	2517	36	40	GG	4F	160.43	157.68	168	—	120	54	45	4.5	4.80
TL36-14M-55*	2517		55	GG	4F	160.43	157.68	168	—	120	70	45	12.5	5.20
TL36-14M-85	3020		85	GG	4F	160.43	157.68	168	—	125	102	51	25.5	5.80
TL36-14M-115	3020		115	GG	4F	160.43	157.68	168	—	125	133	51	41.0	7.00
TL38-14M-40*	2517	38	40	GG	4F	169.34	166.60	183	—	130	54	45	4.5	5.40
TL38-14M-55*	2517		55	GG	4F	169.34	166.60	183	—	130	70	45	12.5	6.20
TL38-14M-85	3020		85	GG	4F	169.34	166.60	183	—	130	102	51	25.5	6.80
TL38-14M-115	3020		115	GG	4F	169.34	166.60	183	—	130	133	51	41.0	8.40
TL38-14M-170	3030		170	GG	4F	169.34	166.60	183	—	130	187	76	55.5	11.70
TL40-14M-40*	2517	40	40	GG	4F	178.25	175.49	188	—	138	54	45	4.5	6.00
TL40-14M-55*	2517		55	GG	4F	178.25	175.49	188	—	138	70	45	12.5	7.00
TL40-14M-85	3020		85	GG	4F	178.25	175.49	188	—	138	102	51	25.5	8.00
TL40-14M-115	3020		115	GG	4F	178.25	175.49	188	—	140	133	51	41.0	9.20
TL40-14M-170	3030		170	GG	4F	178.25	175.49	188	—	140	187	76	55.5	13.00

Note: GG = Cast Iron. \* Requires TL Bushing with BSW screws.

# 14M HTD® Pulleys - Taper Bushed



14 mm HTD® x 40, 55, 85, 115 and 170 mm Belt Width



Models Available

## Part No. TL48-14M-115

- TL = Taper Bushed Version
- 48 = No. of Teeth
- 14M = Pitch (5, 8 and 14mm)
- 115 = Width of belt (40, 55, 85, 115 and 170)

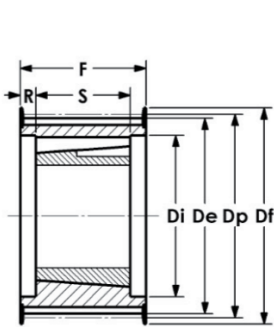


Fig 4F

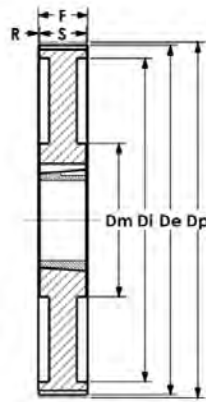


Fig 9A

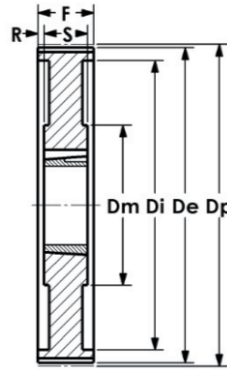


Fig 9W

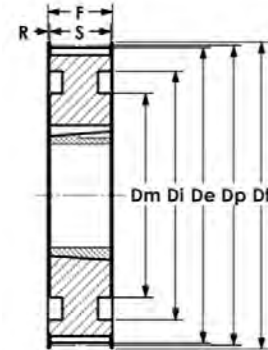


Fig 4WF/9WF

Dimensions in mm

Part No.	Bushing	Teeth	Belt Width	Material	Figure	Dp	De	Df	Dm	Di	F	S	R	Wt. kg
TL44-14M-40	3020	44	40	GG	4F	196.08	193.28	211	—	155	54	51	1.5	7.80
TL44-14M-55	3020		55	GG	4F	196.08	193.28	211	—	155	70	51	9.5	8.60
TL44-14M-85	3030		85	GG	4F	196.08	193.28	211	—	155	102	76	13.0	11.80
TL44-14M-115	3030		115	GG	4F	196.08	193.28	211	—	155	133	76	28.5	14.00
TL44-14M-170*	3535		170	GG	4F	196.08	193.28	211	—	155	187	89	49.0	15.00
TL48-14M-40	3020	48	40	GG	4F	213.90	211.11	226	—	170	54	51	1.5	9.40
TL48-14M-55	3020		55	GG	4F	213.90	211.11	226	—	170	70	51	9.5	10.40
TL48-14M-85	3030		85	GG	4F	213.90	211.11	226	—	170	102	76	13.0	15.10
TL48-14M-115	3030		115	GG	4F	213.90	211.11	226	—	170	133	76	28.5	17.10
TL48-14M-170*	3535		170	GG	4F	213.90	211.11	226	—	175	187	89	49.0	19.00
TL56-14M-40	3020	56	40	GG	9WF	249.55	246.76	256	170	208	54	51	1.5	10.80
TL56-14M-55	3020		55	GG	9WF	249.55	246.76	256	170	208	70	51	9.5	12.00
TL56-14M-85*	3525		85	GG	4F	249.55	246.76	256	190	210	102	65	18.5	19.00
TL56-14M-115*	3535		115	GG	4F	249.55	246.76	256	—	210	133	89	22.0	24.80
TL56-14M-170*	3535		170	GG	4F	249.55	246.76	256	—	210	187	89	49.0	28.50
TL64-14M-40	3020	64	40	GG	9WF	285.21	282.41	296	170	242	54	51	1.5	13.40
TL64-14M-55	3020		55	GG	9WF	285.21	282.41	296	170	242	70	51	9.5	14.50
TL64-14M-85*	3525		85	GG	9WF	285.21	282.41	296	190	242	102	65	18.5	23.00
TL64-14M-115*	3535		115	GG	9WF	285.21	282.41	296	190	242	133	89	22.0	27.00
TL64-14M-170	4040		170	GG	4F	285.21	282.41	296	—	240	187	102	42.5	41.00
TL72-14M-40	3020	72	40	GG	9W	320.86	318.06	—	170	280	54	51	1.5	15.20
TL72-14M-55	3020		55	GG	9W	320.86	318.06	—	170	280	70	51	9.5	16.20
TL72-14M-85*	3525		85	GG	9W	320.86	318.06	—	190	280	102	65	18.5	25.00
TL72-14M-115*	3535		115	GG	9W	320.86	318.06	—	190	280	133	89	22.0	29.00
TL72-14M-170	4040		170	GG	9W	320.86	318.06	—	230	280	187	102	42.5	46.90
TL80-14M-40	3020	80	40	GG	9A	356.51	353.71	—	170	315	54	51	1.5	16.00
TL80-14M-55	3020		55	GG	9A	356.51	353.71	—	170	315	70	51	9.5	17.50
TL80-14M-85*	3525		85	GG	9A	356.51	353.71	—	190	315	102	65	18.5	26.00
TL80-14M-115*	3535		115	GG	9A	356.51	353.71	—	190	315	133	89	22.0	32.00
TL80-14M-170	4040		170	GG	9W	356.51	353.71	—	230	315	187	102	42.5	48.00

Note: GG = Cast Iron. \* Requires TL Bushing with BSW screws.

# 14M HTD® Pulleys - Taper Bushed



## 14 mm HTD® x 40, 55, 85, 115 and 170 mm Belt Widths

Part No. TL144-14M-40

TL = Taper Bushed Version

144 = No. of Teeth

14M = Pitch (5, 8 and 14mm)

40 = Width of belt (40, 55, 85, 115 and 170)



Models Available

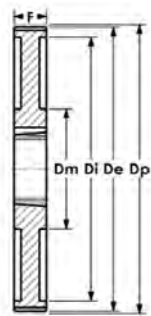


Fig 3A

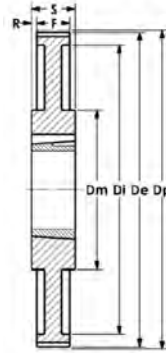


Fig 7A



Fig 9A

Dimensions in mm

Part No.	Bushing	Teeth	Belt Width	Material	Figure	Dp	De	Df	Dm	Di	F	S	R	Wt. kg
TL90-14M-40	3020	90	40	GG	9A	401.07	398.28	—	170	360	54	51	1.5	17.80
TL90-14M-55	3020		55	GG	9A	401.07	398.28	—	170	360	70	51	9.5	20.10
TL90-14M-85	3525		85	GG	9A	401.07	398.28	—	190	360	102	65	18.5	27.80
TL90-14M-115	3535		115	GG	9A	401.07	398.28	—	190	360	133	89	22.0	36.50
TL90-14M-170	4040		170	GG	9A	401.07	398.28	—	230	360	187	102	42.5	52.50
TL112-14M-40	3020	112	40	GG	9A	499.11	496.32	—	170	457	54	51	1.5	25.60
TL112-14M-55	3020		55	GG	9A	499.11	496.32	—	170	457	70	51	9.5	28.40
TL112-14M-85	3525		85	GG	9A	499.11	496.32	—	190	457	102	65	18.5	36.50
TL112-14M-115	3535		115	GG	9A	499.11	496.32	—	190	457	133	89	22.0	46.00
TL112-14M-170	5050		170	GG	9A	499.11	496.32	—	265	456	187	127	30.0	74.50
TL144-14M-40	3020	144	40	GG	9A	641.71	638.92	—	170	600	54	51	1.5	32.00
TL144-14M-55	3020		55	GG	9A	641.71	638.92	—	170	600	70	51	9.5	36.20
TL144-14M-85	3525		85	GG	9A	641.71	638.92	—	190	600	102	65	18.5	48.00
TL144-14M-115	4040		115	GG	9A	641.71	638.92	—	230	600	133	102	15.5	68.00
TL144-14M-170	5050		170	GG	9A	641.71	638.92	—	265	600	187	127	30.0	91.00
TL168-14M-40	3020	168	40	GG	9A	748.66	745.87	—	170	706	54	51	1.5	44.00
TL168-14M-55	3020		55	GG	9A	748.66	745.87	—	170	706	70	51	9.5	49.00
TL168-14M-85	3525		85	GG	9A	748.66	745.87	—	190	706	102	65	18.5	60.00
TL168-14M-115	4040		115	GG	9A	748.66	745.87	—	230	706	133	102	15.5	82.60
TL168-14M-170	5050		170	GG	9A	748.66	745.87	—	265	706	187	127	30.0	116.0
TL192-14M-40	3020	192	40	GG	9A	855.62	852.82	—	170	813	54	51	1.5	49.00
TL192-14M-55	3020		55	GG	9A	855.62	852.82	—	170	813	70	51	9.5	53.00
TL192-14M-85	4040		85	GG	3A	855.62	852.82	—	230	813	102	102	—	86.00
TL192-14M-115	4040		115	GG	9A	855.62	852.82	—	230	813	133	102	15.5	96.00
TL192-14M-170	5050		170	GG	9A	855.62	852.82	—	265	813	187	127	30.0	134.0
TL216-14M-40	3020	216	40	GG	9A	962.57	959.76	—	170	920	54	51	1.5	55.00
TL216-14M-55	3535		55	GG	7A	962.57	959.76	—	190	920	70	89	9.5	65.80
TL216-14M-85	4040		85	GG	3A	962.57	959.76	—	230	920	102	102	—	91.50
TL216-14M-115	4040		115	GG	9A	962.57	959.76	—	230	920	133	102	15.5	107.00
TL216-14M-170	5050		170	GG	9A	962.57	959.76	—	265	920	187	127	30.0	146.50

Note: GG = Cast Iron.



# Super Torque Timing Pulley Taper Bushed



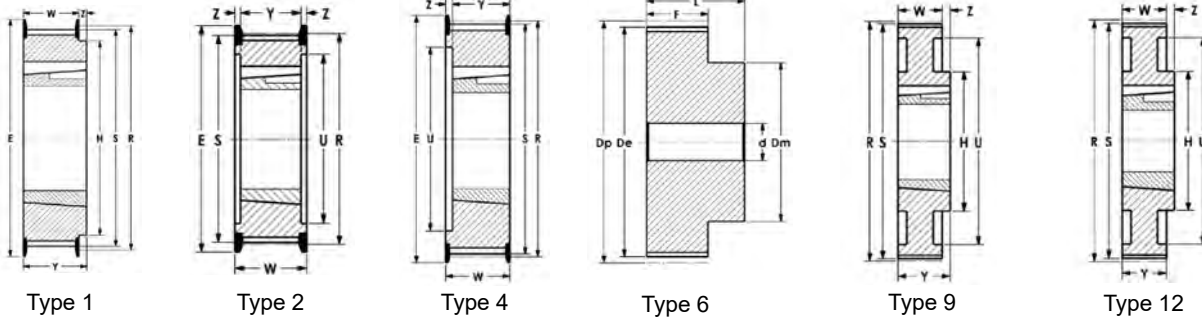
Pitch 8 mm

Part No: B22S8M20

- B = Taper Bushed Version
- 22 = Number of Teeth
- S8 = Pitch (8 or 14mm)
- M20 = Width of Belt (20, 30, 50 and 85mm)



Models Available



## 20 mm Belt Width

Part No.	Taper Bushing	Teeth	Type	R mm	S mm	E mm	U mm	W mm	H mm	Z mm	Y mm	Wt. kg
B22S8M20	1008	22	4	56.02	54.65	62	38	28	—	6	22	0.25
B24S8M20	1108	24	4	61.12	59.74	67	42	28	—	6	22	0.30
B26S8M20	1108	26	4	66.21	64.84	73	45	28	—	6	22	0.36
B28S8M20	1108	28	4	71.30	69.93	77	52	28	—	6	22	0.44
B30S8M20	1108	30	4	76.39	75.02	84	56	28	—	6	22	0.53
B32S8M20	1610	32	4	81.49	80.12	88	65	28	—	3	25	0.42
B34S8M20	1610	34	4	86.58	85.21	94	66	28	—	3	25	0.55
B36S8M20	1610	36	4	91.67	90.30	98	68	28	—	3	25	0.68
B38S8M20	1610	38	4	96.77	95.39	104	76	28	—	3	25	0.80
B40S8M20	1610	40	4	101.86	100.49	108	80	28	—	3	25	1.00
B44S8M20	2012	44	1	112.05	110.67	121	—	28	99	4	32	1.20
B48S8M20	2012	48	1	122.23	120.86	129	—	28	105	4	32	1.60
B56S8M20	2012	56	1	142.60	141.23	149	—	28	105	4	32	2.40
B64S8M20	2012	64	6	162.97	161.60	168	140	28	110	4	32	2.70
B72S8M20	2012	72	6	183.35	181.97	191	158	28	110	4	32	3.30
B80S8M20*	2012	80	9	203.72	202.35	—	178	28	110	4	32	3.50
B90S8M20*	2012	90	12	229.18	227.81	—	204	28	110	4	32	3.65

## 30 mm Belt Width

Part No.	Taper Bushing	Teeth	Type	R mm	S mm	E mm	U mm	W mm	H mm	Z mm	Y mm	Wt. kg
B22S8M30	1008	22	4	56.02	54.65	62	38	38	—	16	22	0.31
B24S8M30	1108	24	4	61.12	59.74	67	42	38	—	16	22	0.38
B26S8M30	1108	26	4	66.21	64.84	73	45	38	—	16	22	0.45
B28S8M30	1108	28	4	71.30	69.93	77	52	38	—	16	22	0.50
B30S8M30	1615	30	8	76.39	75.02	84	—	38	—	—	38	0.55
B32S8M30	1615	32	8	81.49	80.12	88	—	38	—	—	38	0.59
B34S8M30	1615	34	8	86.58	85.21	94	—	38	—	—	38	0.77
B36S8M30	1615	36	8	91.67	90.30	98	—	38	—	—	38	0.96
B38S8M30	1615	38	8	96.77	95.39	104	—	38	—	—	38	1.15
B40S8M30	1615	40	8	101.86	100.49	108	—	38	—	—	38	1.34
B44S8M30	2012	44	2	112.05	110.67	121	90	38	—	—	32	1.33
B48S8M30	2012	48	2	122.23	120.86	129	98	38	—	3	32	1.78
B56S8M30	2012	56	2	142.60	141.23	149	118	38	—	3	32	3.76
B64S8M30*	2517	64	6	162.97	161.60	168	140	38	115	3	45	4.20
B72S8M30*	2517	72	6	183.35	181.97	191	158	38	120	7	45	4.30
B80S8M30*	2517	80	9	203.72	202.35	—	178	38	120	7	45	4.60
B90S8M30*	2517	90	12	229.18	227.81	—	204	38	120	7	45	5.00
B112S8M30*	2517	112	12	285.21	283.83	—	260	38	120	7	45	6.20
B144S8M30*	2517	144	12	366.69	365.32	—	341	38	120	7	45	9.00

Note: \* Parts are Cast Iron, manufactured to ISO 5294, DIN 7721. Bushing sold separately.

Requires TL Bushing with BSW threads.

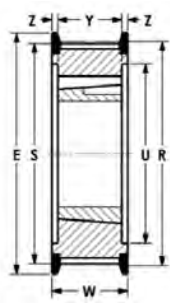
# Super Torque Timing Pulley Taper Bushed



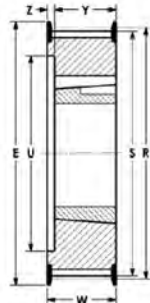
Pitch 8 mm



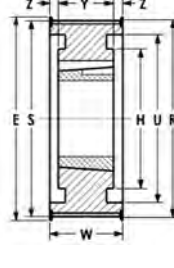
Models Available



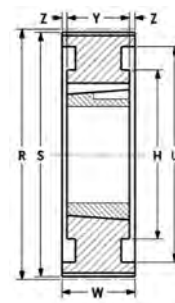
Type 2



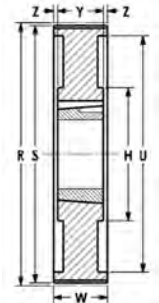
Type 4



Type 5



Type 7



Type 14

## 50 mm Belt Width

Part No.	Taper Bushing	Teeth	Type	R mm	S mm	E mm	U mm	W mm	H mm	Z mm	Y mm	Wt. kg
B28S8M50	1108	28	2	71.30	69.93	77	52	60	—	19	22	0.60
B30S8M50	1615	30	4	76.39	75.02	84	58	60	—	22	38	0.65
B32S8M50	1615	32	4	81.94	80.12	88	60	60	—	22	38	0.82
B34S8M50	1615	34	4	86.58	85.21	94	66	60	—	22	38	1.06
B36S8M50	1615	36	4	91.67	90.30	98	68	60	—	22	38	1.30
B38S8M50	1615	38	4	96.77	95.39	104	75	60	—	22	38	1.60
B40S8M50	2012	40	2	101.86	100.49	108	80	60	—	14	32	1.71
B44S8M50	2012	44	2	112.05	110.67	121	90	60	—	14	32	1.78
B48S8M50	2012	48	2	122.23	120.86	129	100	60	—	14	32	2.30
B56S8M50	2517*	56	2	142.60	141.23	149	120	60	—	7.5	45	3.40
B64S8M50	2517*	64	5	162.97	161.60	168	138	60	115	7.5	45	5.00
B72S8M50	2517*	72	5	183.35	181.97	191	158	60	120	7.5	45	6.70
B80S8M50	3020	80	7	203.72	202.35	—	178	60	140	4.5	51	8.80
B90S8M50*	3020	90	7	229.18	227.81	—	204	60	146	4.5	51	10.00
B112S8M50*	3020	112	14	285.21	283.83	—	260	60	146	4.5	51	12.00
B144S8M50*	3020	114	14	366.69	365.32	—	341	60	146	4.5	51	15.20
B168S8M50*	3020	168	14	427.80	426.42	—	402	60	146	4.5	51	17.50
B192S8M50*	3020	192	14	488.92	487.54	—	462	60	146	4.5	51	24.00

## 85 mm Belt Width

Part No.	Taper Bushing	Teeth	Type	R mm	S mm	E mm	U mm	W mm	H mm	Z mm	Y mm	Wt. kg
B34S8M85	1615	34	2	86.58	85.21	94	66	95	—	28.5	38	1.43
B36S8M85	1615	36	2	91.67	90.30	98	68	95	—	28.5	38	1.87
B38S8M85	1615	38	2	96.77	95.39	104	75	95	—	28.5	38	2.20
B40S8M85	2012	40	2	101.86	100.49	108	80	95	—	31.5	32	1.80
B44S8M85	2012	44	2	112.05	110.67	121	90	95	—	31.5	32	2.30
B48S8M85	2517*	48	2	122.23	120.86	129	100	95	—	25	45	2.66
B56S8M85	2517*	56	2	142.60	141.23	149	120	95	—	25	45	4.45
B64S8M85	2517*	64	2	162.97	161.60	168	138	95	—	25	45	6.20
B72S8M85	3020	72	2	183.35	181.97	191	158	95	—	22	51	8.00
B80S8M85*	3020	80	7	203.72	202.35	—	178	95	140	22	51	10.00
B90S8M85	3020	90	7	229.18	227.81	—	204	95	146	22	51	10.80
B112S8M85*	3020	112	14	285.21	283.83	—	260	95	146	22	51	15.00
B144S8M85*	3030	144	14	366.69	365.32	—	341	95	140	9.5	76	20.00
B168S8M85*	3030	168	14	427.80	426.42	—	402	95	140	9.5	76	22.00
B192S8M85*	3030	192	14	488.92	487.54	—	462	95	140	9.5	76	26.00

Note: \* Indicates without Flanges. Parts are Cast Iron, manufactured to ISO 5294, DIN 7721. Bushing sold separately.

• Requires TL Bushings with BSW threads.

# Super Torque Timing Pulley Taper Bushed



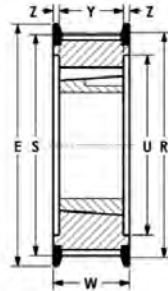
Pitch 14 mm

Part No: B38S14M40

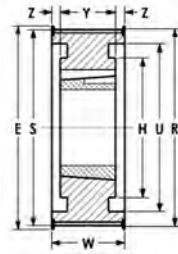
- B = Taper Bushed Version
- 38 = Number of Teeth
- S14 = Pitch (8 or 14mm)
- M40 = Width of Belt (40, 55, 85, 115 and 170mm)



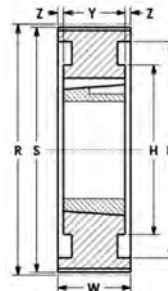
Models Available



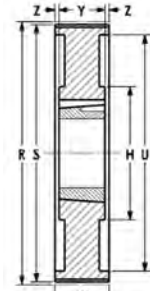
Type 2



Type 5



Type 7



Type 14

## 40 mm Belt Width

Part No.	Taper Bushing	Teeth	Type	R mm	S mm	E mm	U mm	W mm	H mm	Z mm	Y mm	Wt kg
B28S14M40	2012	28	2	124.78	121.98	134	98	54	—	11	32	2.07
B29S14M40	2012	29	2	129.23	126.44	134	100	54	—	11	32	2.38
B30S14M40	2012	30	2	133.69	130.90	142	100	54	—	11	32	2.65
B32S14M40	2012	32	2	142.60	139.81	150	104	54	—	11	32	3.40
B34S14M40	2517*	34	2	151.51	148.72	158	110	54	—	4.5	45	3.78
B36S14M40	2517*	36	2	160.43	157.63	166	120	54	—	4.5	45	4.80
B38S14M40	2517*	38	2	169.34	166.55	177	130	54	—	4.5	45	5.40
B40S14M40	2517*	40	2	178.25	175.46	186	138	54	—	4.5	45	6.00
B44S14M40	3020	44	2	196.08	193.28	209	154	54	—	1.5	51	7.80
B48S14M40	3020	48	2	213.90	211.11	216	172	54	—	1.5	51	9.40
B56S14M40	3020	56	5	249.56	246.76	261	207	54	146	1.5	51	10.80
B64S14M40	3020	64	5	285.21	282.41	288	243	54	146	1.5	51	13.40
B72S14M40*	3020	72	7	320.86	318.06	—	279	54	146	1.5	51	15.20
B80S14M40*	3020	80	14	356.51	353.71	—	314	54	146	1.5	51	16.00
B90S14M40*	3020	90	14	401.07	398.28	—	359	54	146	1.5	51	17.80
B112S14M40*	3020	112	14	499.11	496.32	—	457	54	146	1.5	51	25.60
B144S14M40*	3020	144	14	641.71	638.92	—	600	54	146	1.5	51	32.00

## 55 mm Belt Width

Part No.	Taper Bushing	Teeth	Type	R mm	S mm	E mm	U mm	W mm	H mm	Z mm	Y mm	Wt kg
B28S14M55	2012	28	2	124.78	121.98	134	98	70	—	19	32	2.20
B29S14M55	2012	29	2	129.23	126.44	134	100	70	—	19	32	2.74
B30S14M55	2517*	30	2	133.69	130.90	142	100	70	—	12.5	45	2.70
B32S14M55	2517*	32	2	142.60	139.81	150	104	70	—	12.5	45	3.66
B34S14M55	2517*	34	2	151.51	148.72	158	110	70	—	12.5	45	4.55
B36S14M55	2517*	36	2	160.43	157.63	166	120	70	—	12.5	45	5.20
B38S14M55	2517*	38	2	169.34	166.55	177	130	70	—	12.5	45	6.20
B40S14M55	2517*	40	2	178.25	175.46	186	138	70	—	12.5	45	7.00
B44S14M55	3020	44	2	196.08	193.28	209	154	70	—	9.5	51	8.60
B48S14M55*	3020	48	2	213.90	211.11	216	172	70	—	9.5	51	10.40
B56S14M55	3020	56	5	249.56	246.76	261	207	70	146	9.5	51	12.40
B64S14M55*	3020	64	5	285.21	282.41	288	243	70	146	9.5	51	14.50
B72S14M55*	3020	72	7	320.86	318.06	—	279	70	146	9.5	51	16.20
B80S14M55*	3020	80	14	356.51	353.71	—	314	70	146	9.5	51	17.50
B90S14M55*	3020	90	14	401.07	398.28	—	359	70	146	9.5	51	20.10
B112S14M55	3020	112	14	499.11	496.32	—	457	70	146	9.5	51	28.40
B144S14M55	3020	144	14	641.71	638.92	—	600	70	146	9.5	51	36.20

Note: \* Indicates without Flanges. Parts are Cast Iron, manufactured to ISO 5294, DIN 7721. Bushing sold separately.

• Requires TL Bushings with BSW threads.



# Poly Chain® GT® Timing Pulleys



**PC Extra Torque Series**  
**Taper Bushed & Pilot Bores**  
**Industry Standard Design**  
**PC8M Type for 12, 21, 36 & 62mm Belt Widths**

**Part No: TLPC8M-30-12-1210**

TL = Taper Bushing Bore, no prefix is Pilot Bore

PC = Extra Torque Poly Chain Tooth Profile

8M = Pitch of Teeth

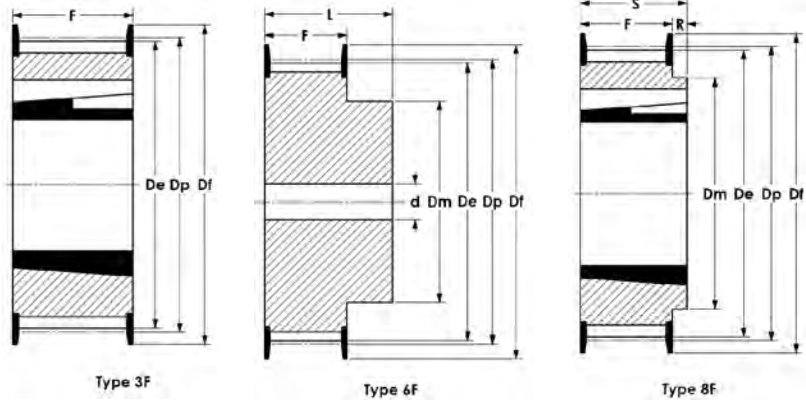
30 = Number of Teeth

12 = Belt Width in mm

1210 = Bushing Size



Models Available



Dimensions in mm

Part No.	Pilot Bore or TL Taper Bushing	Teeth	Belt Width	Type	Dp	De	Df	Dm	Di	F	S	R	Wt. kg
PC8M-22-12	12mm	22	12	6F	56.02	54.42	60.0	43	—	20	30	10.0	0.54
PC8M-22-21	12mm	22	21	6F	56.02	54.42	60.0	43	—	30	40	10.0	0.73
TLPC8M-25-12-1108	1108	25	12	8F	63.66	62.06	70.0	49	—	20	22	2.0	0.49
PC8M-25-21	12mm	25	21	3F	63.66	62.06	70.0	—	—	30	—	—	0.49
PC8M-25-36	12mm	25	37	6F	63.66	62.06	70.0	—	—	45	—	—	1.21
TLPC8M-28-12-1108	1108	28	12	8F	71.3	69.7	75.0	56	—	20	22	2.0	0.66
TLPC8M-28-21-1210	1210	28	21	3F	71.3	69.7	75.0	—	—	30	—	—	0.85
TLPC8M-28-36-1210	1210	28	36	3F	71.3	69.7	75.0	—	—	45	—	—	1.21
TLPC8M-30-12-1210	1210	30	12	8F	76.39	74.79	83.0	60	—	20	25	5.0	0.83
TLPC8M-30-21-1210	1210	30	21	3F	76.39	74.79	83.0	—	—	30	—	—	0.97
TLPC8M-30-36-1210	1210	30	36	3F	76.39	74.79	83.0	—	—	45	—	—	1.38
PC8M-30-62	15mm	30	62	6F	76.39	74.79	83.0	62	—	72	84	12.0	2.46
TLPC8M-32-12-1610	1610	32	12	8F	81.49	79.89	87.0	66	—	20	25	5.0	0.93
TLPC8M-32-21-1610	1610	32	21	3F	81.49	79.89	87.0	—	—	30	—	—	1.09
TLPC8M-32-36-1610	1610	32	36	3F	81.49	79.89	87.0	—	—	45	—	—	1.56
PC8M-32-62	15mm	32	62	6F	81.49	79.89	87.0	70	—	72	84	12.0	2.77
TLPC8M-34-12-1610	1610	34	12	8F	86.58	84.98	91.0	68	—	20	25	5.0	1.05
TLPC8M-34-21-1610	1610	34	21	3F	86.58	84.98	91.0	—	—	30	—	—	1.22
TLPC8M-34-36-1610	1610	34	36	3F	86.58	84.98	91.0	—	—	45	—	—	1.75
PC8M-34-62	15mm	34	62	6F	86.58	84.98	91.0	70	—	72	84	12.0	3.11
TLPC8M-36-12-1610	1610	36	12	8F	91.67	90.07	97.0	74	—	20	25	5.0	1.17
TLPC8M-36-21-1610	1610	36	21	3F	91.67	90.07	97.0	—	—	30	—	—	1.36
TLPC8M-36-36-1610	1610	36	36	3F	91.67	90.07	97.0	—	—	45	—	—	1.95
PC8M-36-62	15mm	36	62	6F	91.67	90.07	97.0	75	—	72	84	12.0	3.46
TLPC8M-38-12-1610	1610	38	12	8F	96.77	95.17	102.0	80	—	20	25	5.0	1.29
TLPC8M-38-21-1610	1610	38	21	3F	96.77	95.17	102.0	—	—	30	—	—	1.51
TLPC8M-38-36-1610	1610	38	36	3F	96.77	95.17	102.0	—	—	45	—	—	2.16
PC8M-38-62	15mm	38	62	6F	96.77	95.17	102.0	75	—	72	84	12.0	3.84

Poly Chain® is a registered trademark of Gates Corporation.

# Poly Chain® GT® Timing Pulleys



PC Extra Torque Series

Taper Bushed

Industry Standard Design

PC8M Type for 12, 21, 36 & 62mm Belt Widths

Part No: TLPC8M-45-62-2012

TL = Taper Bushing Bore, no prefix is Pilot Bore

PC = Extra Torque Poly Chain Tooth Profile

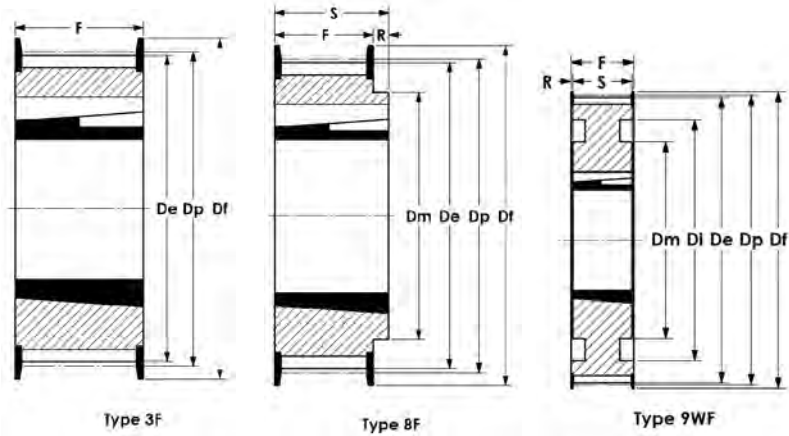
8M = Pitch of Teeth

45 = Number of Teeth

62 = Belt Width in mm

2012 = Bushing Size

Models Available



Dimensions in mm

Part No.	TL Taper Bushing	Teeth	Belt Width	Type	Dp	De	Df	Dm	Di	F	S	R	Wt. kg
TLPC8M-40-12-1610	1610	40	12	8F	101.86	100.26	106.0	85	—	20	25	5.0	1.43
TLPC8M-40-21-1610	1610	40	21	8F	101.86	100.26	106.0	—	—	30	—	—	1.66
TLPC8M-40-36-2012	2012	40	36	3F	101.86	100.26	106.0	—	—	45	—	—	2.38
TLPC8M-40-62-2012	2012	40	62	3F	101.86	100.26	106.0	—	—	72	84	12.0	3.66
TLPC8M-45-12-2012	2012	45	12	8F	114.59	112.99	120.0	92	—	20	25	5.0	2.30
TLPC8M-45-21-2012	2012	45	21	8F	114.59	112.99	120.0	92	—	30	—	—	2.30
TLPC8M-45-36-2012	2012	45	36	3F	114.59	112.99	120.0	—	—	45	—	—	3.11
TLPC8M-45-62-2012	2012	45	62	3F	114.59	112.99	120.0	—	—	72	84	12.0	4.78
TLPC8M-48-12-2012	2012	48	12	8F	122.23	120.63	128.0	100	—	20	25	5.0	2.49
TLPC8M-48-21-2012	2012	48	21	8F	122.23	120.63	128.0	100	—	30	—	—	2.49
TLPC8M-48-36-2012	2012	48	36	3F	122.23	120.63	128.0	—	—	45	—	—	3.37
TLPC8M-48-62-2517	2517	48	62	3F	122.23	120.63	128.0	—	—	72	84	12.0	5.19
TLPC8M-50-12-2012	2012	50	12	8F	127.32	125.72	135.0	104	—	20	25	5.0	2.70
TLPC8M-50-21-2012	2012	50	21	8F	127.32	125.72	135.0	104	—	30	—	—	2.70
TLPC8M-50-36-2012	2012	50	36	3F	127.32	125.72	135.0	—	—	45	—	—	3.64
TLPC8M-50-62-2517	2517	50	62	3F	127.32	125.72	135.0	—	—	72	84	12.0	5.61
TLPC8M-56-12-2012	2012	56	12	8F	142.60	141.00	150.0	104	—	20	25	5.0	3.88
TLPC8M-56-21-2012	2012	56	21	8F	142.60	141.00	150.0	111	—	30	—	—	3.88
TLPC8M-56-36-2517	2517	56	36	3F	142.60	141.00	150.0	—	—	45	—	—	5.14
TLPC8M-56-62-2517	2517	56	62	9WF	142.60	141.00	150.0	—	111	72	84	12.0	7.76
TLPC8M-60-12-2012	2012	60	12	8F	152.79	151.19	158.0	111	—	20	25	5.0	4.42
TLPC8M-60-21-2517	2517	60	21	8F	152.79	151.19	158.0	124	—	30	—	—	5.85
TLPC8M-60-36-2517	2517	60	36	3F	152.79	151.19	158.0	—	—	45	—	—	5.85
TLPC8M-60-62-2517	2517	60	62	9WF	152.79	151.19	158.0	—	121	72	84	12.0	8.83
TLPC8M-64-12-2012	2012	64	12	8F	162.97	161.37	168.0	111	—	20	25	5.0	4.99
TLPC8M-64-21-2517	2517	64	21	8F	162.97	161.37	168.0	124	—	30	—	—	6.61
TLPC8M-64-36-2517	2517	64	36	3F	162.97	161.37	168.0	—	—	45	—	—	6.61
TLPC8M-64-62-3020	3020	64	62	9WF	162.97	161.37	168.0	—	131	72	84	12.0	9.97

Poly Chain® is a registered trademark of Gates Corporation.

# Poly Chain® GT® Timing Pulleys

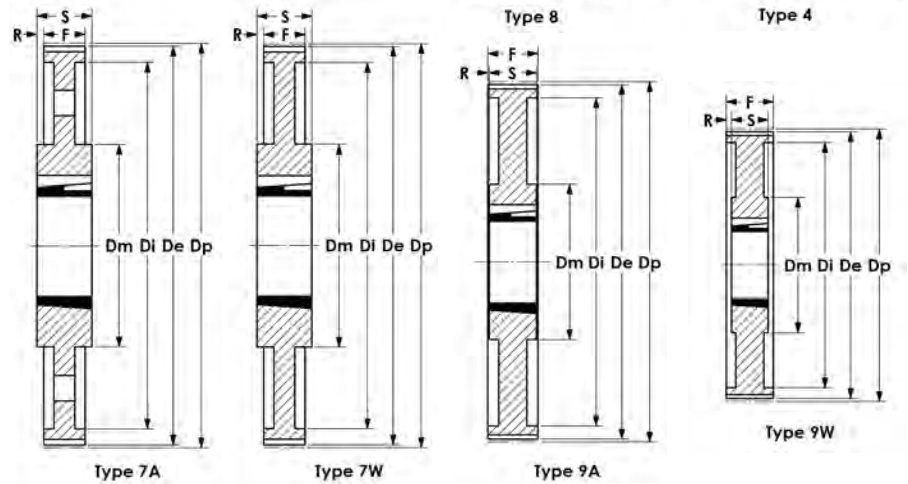


**PC Extra Torque Series**  
**Taper Bushed**  
**Industry Standard Design**  
**PC8M Type for 12, 21, 36 & 62mm Belt Widths**

**Part No: TLPC8M-80-36-3020**

TL = Taper Bushing Bore, no prefix is Pilot Bore  
 PC = Extra Torque Poly Chain Tooth Profile  
 8M = Pitch of Teeth  
 80 = Number of Teeth  
 36 = Belt Width in mm  
 3020 = Bushing Size

Models Available



Dimensions in mm

Part No.	TL Taper Bushing	Teeth	Belt Width	Type	Dp	De	Df	Dm	Di	F	S	R	Wt. kg
TLPC8M-75-12-2012	2012	75	12	8	190.99	189.39	—	111	—	20	25	5.0	6.90
TLPC8M-75-21-2517	2517	75	21	8	190.99	189.39	—	124	—	30	—	—	7.84
TLPC8M-75-36-3020	3020	75	36	8	190.99	189.39	—	150	—	45	—	—	9.47
TLPC8M-75-62-3020	3020	75	62	4	190.99	189.39	—	—	159	72	84	12.0	10.92
TLPC8M-80-12-2012	2012	80	12	8	203.72	202.12	—	111	—	20	25	5.0	7.75
TLPC8M-80-21-2517	2517	80	21	8	203.72	202.12	—	124	—	30	—	—	9.45
TLPC8M-80-36-3020	3020	80	36	8	203.72	202.12	—	150	—	45	—	—	10.64
TLPC8M-80-62-3020	3020	80	62	4	203.72	202.12	—	—	172	72	84	12.0	13.16
TLPC8M-90-12-2012	2012	90	12	8	229.18	227.58	—	111	—	20	25	5.0	9.94
TLPC8M-90-21-2517	2517	90	21	7W	229.18	227.58	—	124	198	30	—	—	11.55
TLPC8M-90-36-3020	3020	90	36	7W	229.18	227.58	—	150	197	45	—	—	13.64
TLPC8M-90-62-3020	3020	90	62	4	229.18	227.58	—	—	197	72	84	12.0	16.59
TLPC8M-112-21-2517	2517	112	21	7W	285.21	283.61	—	124	253	30	—	—	17.75
TLPC8M-112-36-3020	3020	112	36	7W	285.21	283.61	—	150	253	45	—	—	18.21
TLPC8M-112-62-3020	3020	112	62	9W	285.21	283.61	—	150	253	72	84	12.0	22.05
TLPC8M-140-21-3020	3020	140	21	7A	356.51	354.91	—	150	324	30	—	—	33.25
TLPC8M-140-36-3020	3020	140	36	7A	356.51	354.91	—	150	324	45	—	—	24.92
TLPC8M-140-62-3525	3525	140	62	9W	356.51	354.91	—	198	324	72	84	12.0	30.17
TLPC8M-168-36-3525	3525	168	36	7A	427.81	426.21	—	198	396	45	—	—	31.92
TLPC8M-168-62-3525	3525	168	62	9A	427.81	426.21	—	198	396	72	84	12.0	39.34
TLPC8M-192-36-3525	3525	192	36	7A	488.92	487.32	—	198	457	45	—	—	45.92
TLPC8M-192-62-3525	3525	192	62	9A	488.92	487.32	—	198	457	72	84	12.0	56.21

Poly Chain® is a registered trademark of Gates Corporation.

# Poly Chain® GT® Timing Pulleys



## PC Extra Torque Series

### Taper Bushed & Pilot Bores

### Industry Standard Design

### PC14M Type for 20, 37, 68, 90 & 125mm Belt Widths

Part No: TLPC14M-32-20-2012

TL = Taper Bushing Bore, no prefix is Pilot Bore

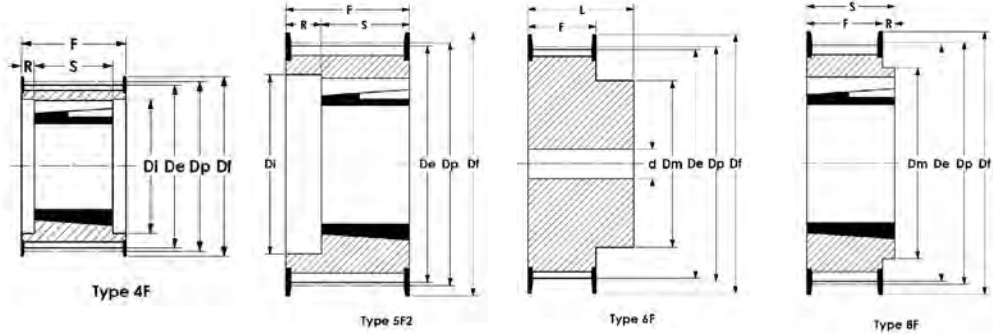
PC = Extra Torque Poly Chain Tooth Profile

14M = Pitch of Teeth

32 = Number of Teeth

20 = Belt Width in mm

2012 = Bushing Size



Models Available

Dimensions in mm

Part No.	Pilot Bore or TL Taper Bushing	Teeth	Belt Width	Type	Dp	De	Df	Dm	Di	F	S	R	Wt. kg
TLPC14M-28-20-2012	2012	28	20	3F	124.78	121.98	128.0	—	—	33	—	—	2.52
TLPC14M-28-37-2517	2517	28	37	5F2	124.78	121.98	128.0	—	88	51	32	19.0	3.70
TLPC14M-30-20-2012	2012	30	20	3F	133.69	130.89	138.0	—	—	33	—	—	2.98
TLPC14M-30-37-2517	2517	30	37	4F	133.69	130.89	138.0	—	98	51	45	3.0	3.86
TLPC14M-32-20-2012	2012	32	20	3F	142.60	139.80	154.0	—	—	33	—	—	3.47
TLPC14M-32-37-2517	2517	32	37	4F	142.60	139.80	154.0	—	100	51	45	3.0	4.60
TLPC14M-34-20-2517	2517	34	20	8F	151.52	148.72	160.0	117	—	33	45	12.0	4.34
TLPC14M-34-37-2517	2517	34	37	4F	151.52	148.72	160.0	109	—	51	45	3.0	5.34
PC14M-34-68	32mm	34	68	6F	151.52	148.72	160.0	131	—	84	104	20.0	13.01
TLPC14M-36-20-2517	2517	36	20	8F	160.43	157.53	168.0	117	—	33	45	12.0	4.89
TLPC14M-36-37-2517	2517	36	37	5F2	160.43	157.53	168.0	—	117	51	45	6.0	6.12
PC14M-36-68	32mm	36	68	6F	160.43	157.53	168.0	131	—	84	104	20.0	14.40
PC14M-36-90	32mm	36	90	6F	160.43	157.53	168.0	131	—	106	136	30.0	18.52
TLPC14M-38-20-2517	2517	38	20	8F	169.34	166.54	183.0	117	—	33	45	12.0	5.48
TLPC14M-38-37-2517	2517	38	37	5F2	169.34	166.54	183.0	—	126	51	45	6.0	6.96
PC14M-38-68	32mm	38	68	6F	169.34	166.54	186.0	141	—	84	104	20.0	16.15
PC14M-38-90	32mm	38	90	6F	169.34	166.54	183.0	141	—	106	136	30.0	21.25
PC14M-38-125	32mm	38	125	6F	169.34	166.54	183.0	141	—	141	161	20.0	25.75
TLPC14M-40-20-2517	2517	40	20	8F	178.25	175.45	188.0	117	—	33	45	12.0	6.10
TLPC14M-40-37-2517	2517	40	37	5F2	178.25	175.45	188.0	—	135	51	45	6.0	7.83
PC14M-40-68	32mm	40	68	6F	178.25	175.45	188.0	155	—	84	104	20.0	18.28
PC14M-40-90	32mm	40	90	6F	178.25	175.45	188.0	155	—	106	136	30.0	23.75
PC14M-40-125	32mm	40	125	6F	178.25	175.45	188.0	155	—	141	161	20.0	28.73
TLPC14M-44-20-3020	3020	44	20	8F	196.08	193.28	211.0	144	—	33	51	18.0	7.89
TLPC14M-44-37-3020	3020	44	37	3F	196.08	193.28	211.0	—	—	51	—	—	9.73
TLPC14M-44-68-3020	3020	44	68	4F	196.08	193.28	211.0	—	153	84	51	16.5	14.03
PC14M-44-90	32mm	44	90	6F	196.08	193.28	211.0	167	—	106	136	30.0	28.82
PC14M-44-125	32mm	44	125	6F	196.08	193.28	211.0	167	—	141	161	20.0	35.00

Poly Chain® is a registered trademark of Gates Corporation.



# Poly Chain® GT® Timing Pulleys



**PC Extra Torque Series**  
**Taper Bushed & Pilot Bores**  
**Industry Standard Design**  
**PC14M Type for 20, 37, 68, 90 & 125mm Belt Widths**



Models Available

Part No: TLPC14M-48-20-3020

TL = Taper Bushing Bore, no prefix is Pilot Bore

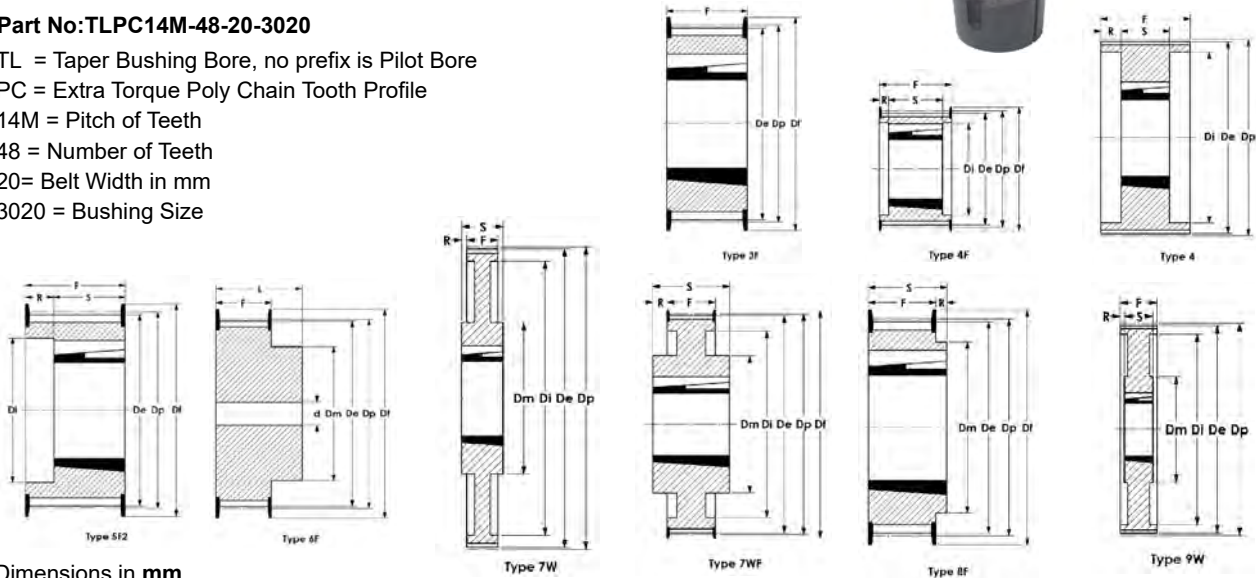
PC = Extra Torque Poly Chain Tooth Profile

14M = Pitch of Teeth

48 = Number of Teeth

20 = Belt Width in mm

3020 = Bushing Size



Dimensions in mm

Part No.	Pilot Bore or TL Taper Bushing	Teeth	Belt Width	Type	Dp	De	Df	Dm	Di	F	S	R	Wt. kg
TLPC14M-48-20-3020	3020	48	20	8F	213.90	211.11	226.0	144	—	33	51	18.0	9.35
TLPC14M-48-37-3020	3020	48	37	3F	213.90	211.11	226.0	—	—	51	—	—	12.00
TLPC14M-48-68-3020	3020	48	68	5F2	213.90	211.11	226.0	—	171	84	51	33.0	15.11
TLPC14M-48-90-3525	3525	48	90	4F	213.90	211.11	226.0	171	—	106	66	20.0	17.84
PC14M-48-125	32mm	48	125	6F	213.90	211.11	226.0	185	—	141	161	20.0	41.93
TLPC14M-50-20-3020	3020	50	20	8F	222.82	220.02	240.0	144	—	33	51	18.0	9.49
TLPC14M-50-37-3020	3020	50	37	3F	222.82	220.02	240.0	—	—	51	—	—	12.36
TLPC14M-50-68-3525	3525	50	68	4F	222.82	220.02	240.0	—	180	84	65	9.5	16.16
TLPC14M-50-90-3525	3525	50	90	4F	222.82	220.02	240.0	—	180	106	66	20.0	18.32
TLPC14M-50-125-3525	3525	50	125	4F	222.82	220.02	240.0	—	180	141	65	38.0	21.42
TLPC14M-56-20-3020	3020	56	20	7WF	249.55	246.76	256.0	144	207	33	51	9.0	10.67
TLPC14M-56-37-3020	3020	56	37	7WF	249.55	246.76	256.0	144	207	51	51	—	14.18
TLPC14M-56-68-3525	3525	56	68	4F	249.55	246.76	256.0	—	207	84	65	9.5	21.06
TLPC14M-56-90-3525	3525	56	90	4F	249.55	246.76	256.0	—	207	106	66	20.0	23.54
TLPC14M-56-125-3525	3525	56	125	4F	249.55	246.76	256.0	—	207	141	65	38.0	27.00
TLPC14M-60-20-3020	3020	60	20	7W	267.38	264.58	—	159	224	33	51	9.0	12.66
TLPC14M-60-37-3020	3020	60	37	9W	267.38	264.58	—	159	224	51	51	—	16.54
TLPC14M-60-68-3525	3525	60	68	4	267.38	264.58	—	—	224	84	65	9.5	24.68
TLPC14M-60-90-3525	3525	60	90	4	267.38	264.58	—	—	224	106	66	20.0	27.42
TLPC14M-60-125-4030	4030	60	125	4	267.38	264.58	—	—	224	141	76	32.5	32.33
TLPC14M-64-20-3020	3020	64	20	7W	285.21	282.41	—	159	242	33	51	9.0	13.88
TLPC14M-64-37-3020	3020	64	37	9W	285.21	282.41	—	159	242	51	51	—	18.42
TLPC14M-64-68-3525	3525	64	68	4	285.21	282.41	—	—	242	84	65	9.5	28.48
TLPC14M-64-90-3525	3525	64	90	4	285.21	282.41	—	—	242	106	66	20.0	31.45
TLPC14M-64-125-4030	4030	64	125	4	285.21	282.41	—	—	242	141	76	32.5	37.12
TLPC14M-72-20-3020	3020	72	20	7W	320.86	318.06	—	159	278	33	51	9.0	16.53
TLPC14M-72-37-3020	3020	72	37	9W	320.86	318.06	—	159	278	51	51	—	22.52
TLPC14M-72-68-3525	3525	72	68	9W	320.86	318.06	—	178	278	84	66	20.0	47.05
TLPC14M-72-90-3525	3525	72	90	9W	320.86	318.06	—	178	278	106	66	20.0	17.05
TLPC14M-72-125-4030	4030	72	125	9W	320.86	318.06	—	215	278	141	76	32.5	65.74

Poly Chain® is a registered trademark of Gates Corporation.

# Poly Chain® GT® Timing Pulleys



PC Extra Torque Series

Taper Bushed

Industry Standard Design

PC14M Type for 20, 37, 68, 90 & 125mm Belt Widths



Models Available

Part No: TLPC14M-90-20-3020

TL = Taper Bushing Bore, no prefix is Pilot Bore

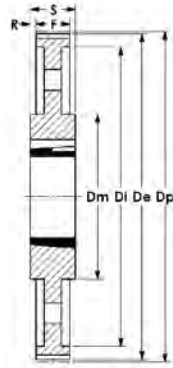
PC = Extra Torque Poly Chain Tooth Profile

14M = Pitch of Teeth

90 = Number of Teeth

20 = Belt Width in mm

3020 = Bushing Size



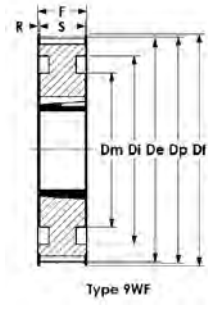
Type 7A



Type 7W



Type 9A



Type 9WF

Dimensions in mm

Part No.	TL Taper Bushing	Teeth	Belt Width	Type	Dp	De	Df	Dm	Di	F	S	R	Wt. kg
TLPC14M-80-20-3020	3020	80	20	7W	356.51	353.71	—	159	314	33	51	9.0	19.47
TLPC14M-80-37-3020	3020	80	37	9W	356.51	353.71	—	159	314	51	51	—	27.06
TLPC14M-80-68-3525	3525	80	68	9W	365.51	353.71	—	178	314	84	65	9.5	44.76
TLPC14M-80-90-4030	4030	80	90	9W	356.51	353.71	—	215	314	106	76	15.0	58.85
TLPC14M-80-125-4030	4030	80	125	9W	356.51	353.71	—	215	314	141	76	32.5	78.28
TLPC14M-90-20-3020	3020	90	20	7A	401.07	398.27	—	159	360	33	51	9.0	23.49
TLPC14M-90-37-3020	3020	90	37	9A	401.07	398.27	—	159	360	51	51	—	33.27
TLPC14M-90-68-3525	3525	90	68	9A	401.07	398.27	—	178	360	84	65	9.05	54.99
TLPC14M-90-90-4030	4030	90	90	9W	401.07	398.27	—	215	360	106	76	15.0	71.76
TLPC14M-09-125-4030	4030	09	125	9W	401.07	398.27	—	215	360	141	76	32.5	95.46
TLPC14M-112-20-3020	3020	112	20	7A	499.11	496.31	—	159	456	33	51	9.0	34.22
TLPC14M-112-37-3020	3020	112	37	9A	499.11	496.31	—	159	456	51	51	—	49.85
TLPC14M-112-68-3525	3525	112	68	9A	499.11	496.31	—	178	456	84	65	9.5	82.31
TLPC14M-112-90-4535	4535	112	90	9A	499.11	496.31	—	215	456	106	90	8.0	105.81
TLPC14M-112-125-4535	4535	112	125	9A	499.11	496.31	—	215	456	141	89	26.0	98.56
TLPC14M-140-20-3020	3020	140	20	7A	623.89	621.09	—	159	581	33	51	9.0	43.26
TLPC14M-140-37-3525	3525	140	37	7A	623.89	621.09	—	206	581	51	65	7.0	79.63
TLPC14M-140-68-3525	3525	140	68	9A	623.89	621.09	—	206	581	84	65	9.5	107.81
TLPC14M-140-90-4535	4535	140	90	9A	623.89	621.09	—	215	581	106	90	8.0	135.46
TLPC14M-140-125-4535	4535	140	125	9A	623.89	621.09	—	215	581	141	89	26.0	180.19
TLPC14M-168-37-3525	3525	168	37	7A	748.66	745.87	—	206	706	51	65	7.0	94.25
TLPC14M-168-68-3525	3525	168	68	9A	748.66	745.87	—	206	706	84	65	9.5	151.57
TLPC14M-168-90-5040	5040	168	90	9A	748.66	745.87	—	267	706	106	102	2.0	193.77
TLPC14M-168-125-5040	5040	168	125	9A	748.66	745.87	—	267	706	141	102	19.5	258.53
TLPC14M-192-37-4030	4030	192	37	7A	855.61	852.82	—	215	812	51	76	12.5	122.63
TLPC14M-192-68-4030	4030	192	68	9A	855.61	852.82	—	215	812	84	76	4.0	195.32
TLPC14M-192-90-5040	5040	192	90	9A	855.61	852.82	—	267	812	106	102	2.0	249.78
TLPC14M-192-125-5040	5040	192	125	9A	855.61	852.82	—	267	812	141	102	19.5	332.26

Poly Chain® is a registered trademark of Gates Corporation.

# Metric V-Belt TL Taper Bushed Sheaves



SPZ, SPA, SPB and SPC Sheaves conform to ISO 4183 and DIN 2211. They can be used with both wedge (narrow) and classical V-belts. These sheaves are cast iron according to DIN 1691. Computer drive selection is available. Please provide power (kw) or horsepower (HP), RPM of driver and driven sheaves, shaft separation, and type of equipment. Sheaves shown are mounted to the shaft with TL taper bushings for both inch and metric bores. TL Bushings are the preferred mounting method for all Metric Drive products, especially drives and equipment from Europe. PTI stocks TL bushings in both inch and metric bores.

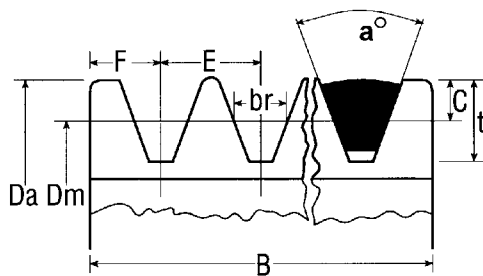
Bored to size sheaves and custom made sheaves are also available on request.

Sheave Width:  **$B = E(N-1) + 2F$**   
 Where: N = No. of grooves, E & F from table  
 Material: GG 20-25, Cast Iron  
 Eccentricity: O.D. to Bore per DIN 2211  
 Surface Roughness: ISO 254  
 Balance Quality Grade: ISO 1940

Sheaves with a pitch diameter greater than 132mm are statically balanced. Dynamic Balancing can be supplied to order.

Series	Dm	a°	br	E	F	C	t
SPZ	≤80	34	8.5	12	8	2.00	11
	>80	38					
SPA	≤118	34	11	15	10	2.80	13.80
	>118	38					
SPB	≤190	34	14	19	12.5	3.50	17.50
	>190	38					
SPC	≤315	34	19	25.5	17.0	4.8	23.80
	>315	38					

Dimensions in mm



TL Tapered Bushed SP Sheaves for Z, A, B & C Belt Sections



Standard TL Tapered Bushings for SP Sheaves, Timing Pulleys, Sprockets, Couplings & other drive products.

## Metric SP Sheave Speed Limitations

All Sheaves with Static Balance over 132mm Ø	30 m/s Rim Speed
Sheaves with Dynamic Balance (630mm Dia. & under)	34 m/s Rim Speed (Spoked Construction) 38 m/s Rim Speed (Solid Construction)
Sheaves with Dynamic Balance (Over 630mm Dia.)	30 m/s Rim Speed for Spoked & Solid Construction

# SPZ Metric V-Belt Sheaves - Taper Bushed



Models Available

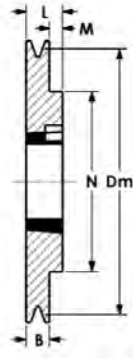


Fig 1

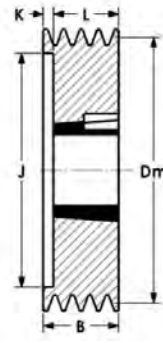


Fig 3

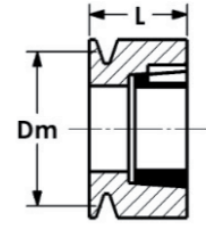


Fig 9

Dimensions in mm

Part No.	Dm	Groove	Bushing	Max Bore	Figure	B	J	K	L	M	N	Wt. kg
SPZ50 x 1-1008	50	1	1008	25	9	16	26	15	37	—	60	0.3
SPZ50 x 2-1008		2	1008	25	9	28	26	27	49	—	60	0.4
SPZ56 x 1-1008	56	1	1008	25	9	16	30	15	37	—	60	0.4
SPZ56 x 2-1108		2	1108	28	9	28	30	27	49	—	60	0.5
SPZ60 x 1-1008	60	1	1008	25	1	16	—	—	22	6	55	0.5
SPZ60 x 2-1108		2	1108	28	9	28	34	27	49	—	64	0.6
SPZ63 x 1-1108	63	1	1108	28	1	16	—	—	22	6	60	0.2
SPZ63 x 2-1108		2	1108	28	3	28	37	6	22	—	—	0.3
SPZ63 x 3-1108		3	1108	28	3	40	37	18	22	—	—	0.4
SPZ67 x 1-1108	67	1	1108	28	1	16	—	—	22	6	60	0.3
SPZ67 x 2-1108		2	1108	28	3	28	38	6	22	—	—	0.4
SPZ67 x 3-1108		3	1108	28	3	40	38	18	22	—	—	0.5
SPZ71 x 1-1108	71	1	1108	28	1	16	—	—	22	6	60	0.3
SPZ71 x 2-1108		2	1108	28	3	28	42	6	22	—	—	0.4
SPZ71 x 3-1108		3	1108	28	3	40	42	18	22	—	—	0.6
SPZ75 x 1-1108	75	1	1108	28	1	16	—	—	22	6	60	0.4
SPZ75 x 2-1210		2	1210	32	3	28	46	3	25	—	—	0.4
SPZ75 x 3-1210		3	1210	32	3	40	46	15	25	—	—	0.5
SPZ80 x 1-1210	80	1	1210	32	1	16	—	—	26.5	10.5	75	0.5
SPZ80 x 2-1210		2	1210	32	3	28	51	3	25	—	—	0.6
SPZ80 x 3-1210		3	1210	32	3	40	51	15	25	—	—	0.7
SPZ80 x 4-1210		4	1210	32	3	52	51	27	25	—	—	0.8
SPZ85 x 1-1210	85	1	1210	32	1	16	—	—	25	9	83	0.6
SPZ85 x 2-1610		2	1610	42	3	28	56	3	25	—	—	0.5
SPZ85 x 3-1610		3	1610	42	3	40	56	15	25	—	—	0.6
SPZ85 x 4-1610		4	1610	42	3	52	56	27	25	—	—	0.9
SPZ85 x 5-1610		5	1610	42	3	64	56	39	25	—	—	1.0
SPZ90 x 1-1210	90	1	1210	32	1	16	—	—	26.5	10.5	83	0.7
SPZ90 x 2-1610		2	1610	42	3	28	61	3	25	—	—	0.7
SPZ90 x 3-1610		3	1610	42	3	40	61	15	25	—	—	0.8
SPZ90 x 4-1610		4	1610	42	3	52	61	27	25	—	—	1.0
SPZ90 x 5-1610		5	1610	42	3	64	61	39	25	—	—	1.2
SPZ95 x 1-1210	95	1	1210	32	1	16	—	—	26.5	10.5	83	0.7
SPZ95 x 2-1610		2	1610	42	3	28	66	3	25	—	—	0.8
SPZ95 x 3-1610		3	1610	42	3	40	66	15	25	—	—	0.9
SPZ95 x 4-1610		4	1610	42	3	52	66	27	25	—	—	1.1
SPZ95 x 5-1610		5	1610	42	3	64	66	39	25	—	—	1.3

# SPZ Metric V-Belt Sheaves - Taper Bushed



Models Available

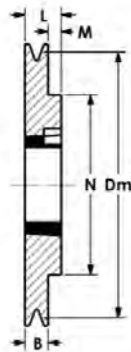


Fig 1

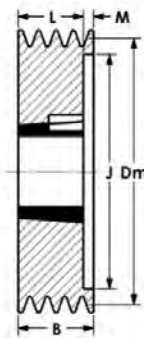


Fig 2

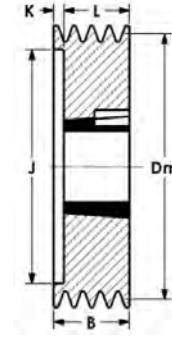


Fig 3

Dimensions in mm

Part No.	Dm	Groove	Bushing	Max Bore	Figure	B	J	K	L	M	N	Wt. kg
SPZ100 x 1-1210	100	1	1210	32	1	16	—	—	25	9	83	0.8
SPZ100 x 2-1610		2	1610	42	3	28	71	3	25	—	—	0.9
SPZ100 x 3-1610		3	1610	42	3	40	71	15	25	—	—	1.1
SPZ100 x 4-1610		4	1610	42	3	52	71	27	25	—	—	1.1
SPZ100 x 5-2012		5	2012	50	3	64	71	32	32	—	—	1.3
SPZ100 x 6-2012		6	2012	50	3	76	71	44	32	—	—	1.4
SPZ106 x 1-1610	106	1	1610	42	1	16	—	—	25	9	83	0.9
SPZ106 x 2-1610		2	1610	42	3	28	—	—	28	—	—	1.1
SPZ106 x 3-1610		3	1610	42	3	40	77	15	25	—	—	1.3
SPZ106 x 4-1610		4	1610	42	3	52	77	27	25	—	—	1.3
SPZ106 x 5-2012		5	2012	50	3	64	77	32	32	—	—	1.5
SPZ106 x 6-2012		6	2012	50	3	76	77	44	32	—	—	1.6
SPZ112 x 1-1610	112	1	1610	42	1	16	—	—	25	9	92	1.0
SPZ112 x 2-1610		2	1610	42	3	28	83	3	25	—	—	1.3
SPZ112 x 3-2012		3	2012	50	3	40	83	8	32	—	—	1.3
SPZ112 x 4-2012		4	2012	50	3	52	83	20	32	—	—	1.5
SPZ112 x 5-2012		5	2012	50	3	64	83	32	32	—	—	1.8
SPZ112 x 6-2012		6	2012	50	3	76	83	44	32	—	—	1.9
SPZ118 x 1-1610	118	1	1610	42	1	16	—	—	25	9	92	0.9
SPZ118 x 2-1610		2	1610	42	3	28	89	3	25	—	—	1.3
SPZ118 x 3-2012		3	2012	50	3	40	89	8	32	—	—	1.6
SPZ118 x 4-2012		4	2012	50	3	52	89	20	32	—	—	1.8
SPZ118 x 5-2012		5	2012	50	3	64	89	32	32	—	—	1.8
SPZ118 x 6-2517*		6	2517	65	3	76	89	31	45	—	—	2.0
SPZ125 x 1-1610	125	1	1610	42	1	16	—	—	25	9	92	1.0
SPZ125 x 2-1610		2	1610	42	3	28	96	3	25	—	—	1.4
SPZ125 x 3-2012		3	2012	50	2	40	96	—	32	8	—	1.8
SPZ125 x 4-2012		4	2012	50	2	52	96	—	32	20	—	2.2
SPZ125 x 5-2012		5	2012	50	3	64	96	32	32	—	—	2.3
SPZ125 x 6-2517*		6	2517	65	3	76	96	31	45	—	—	2.5
SPZ132 x 1-1610	132	1	1610	42	1	16	—	—	25	9	92	1.1
SPZ132 x 2-1610		2	1610	42	3	28	111	3	25	—	—	1.5
SPZ132 x 3-2012		3	2012	50	2	40	111	—	32	8	—	2.3
SPZ132 x 4-2012		4	2012	50	2	52	111	—	32	20	—	2.5
SPZ132 x 5-2517*		5	2517	65	3	64	111	19	45	—	—	2.7
SPZ132 x 6-2517*		6	2517	65	3	76	111	31	45	—	—	2.9

Note: \* Requires bushing with BSW threads.

# SPZ Metric V-Belt Sheaves - Taper Bushed



Models Available

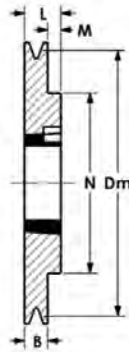


Fig 1

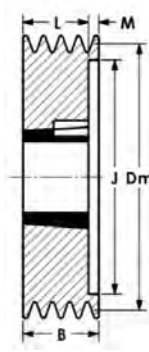


Fig 2

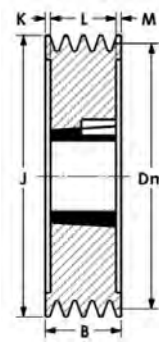


Fig 4

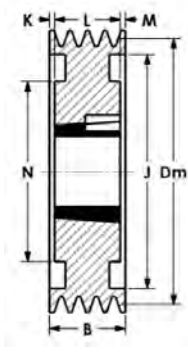


Fig 6

Dimensions in mm

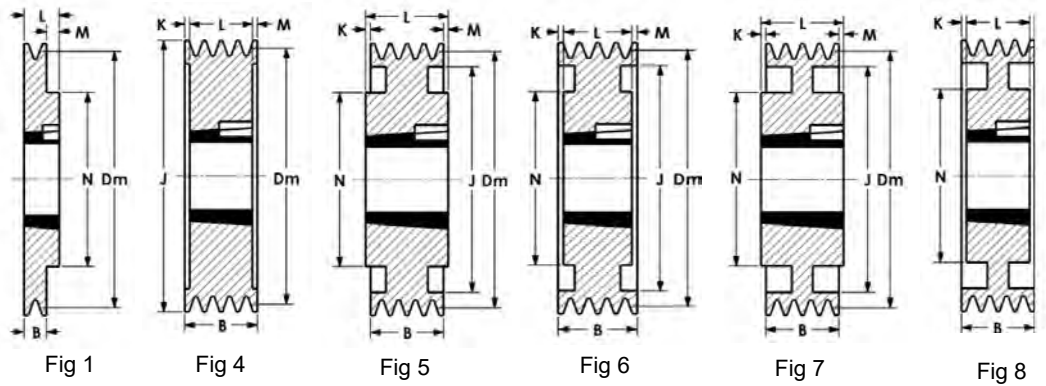
Part No.	Dm	Groove	Bushing	Max Bore	Figure	B	J	K	L	M	N	Wt. kg
SPZ140 x 1-1610	140	1	1610	42	1	16	—	—	25	9	92	1.2
SPZ140 x 2-1610		2	1610	42	2	28	111	—	25	3	—	1.7
SPZ140 x 3-2012		3	2012	50	2	40	111	—	32	8	—	2.6
SPZ140 x 4-2012		4	2012	50	2	52	111	—	32	20	—	2.9
SPZ140 x 5-2517*		5	2517	65	2	64	111	—	45	19	—	3.2
SPZ140 x 6-2517*		6	2517	65	2	76	111	—	45	31	—	3.5
SPZ140 x 8-2517*		8	2517	65	4	100	111	27.5	45	27.5	—	4.0
SPZ150 x 1-1610		150	1	1610	42	1	16	—	—	25	9	92
SPZ150 x 2-2012	2		2012	50	1	28	—	—	33.5	5.5	112	2.0
SPZ150 x 3-2012	3		2012	50	2	40	121	—	32	8	—	3.1
SPZ150 x 4-2517*	4		2517	65	2	52	121	—	45	7	—	3.7
SPZ150 x 5-2517*	5		2517	65	2	64	121	—	45	19	—	4.0
SPZ150 x 6-2517*	6		2517	65	2	76	121	—	45	31	—	4.4
SPZ150 x 8-2517*	8		2517	65	4	100	121	27.5	45	27.5	—	5.1
SPZ160 x 1-1610	160		1	1610	42	1	16	—	—	25	9	92
SPZ160 x 2-2012		2	2012	50	1	28	—	—	32	4	112	2.5
SPZ160 x 3-2012		3	2012	50	2	40	131	—	32	8	—	3.6
SPZ160 x 4-2517*		4	2517	65	2	52	131	—	45	7	—	4.4
SPZ160 x 5-2517*		5	2517	65	2	64	131	—	45	19	—	4.8
SPZ160 x 6-2517*		6	2517	65	2	76	131	—	45	31	—	5.2
SPZ160 x 8-2517*		8	2517	65	4	100	131	27.5	45	27.5	—	5.6
SPZ170 x 1-1610		170	1	1610	42	1	16	—	—	25	9	92
SPZ170 x 2-2012	2		2012	50	1	28	—	—	32	4	112	2.5
SPZ170 x 3-2012	3		2012	50	6	40	141	—	32	8	112	4.2
SPZ170 x 4-2517*	4		2517	65	2	52	141	—	45	7	—	5.3
SPZ170 x 5-2517*	5		2517	65	2	64	141	—	45	19	—	5.9
SPZ170 x 6-2517*	6		2517	65	2	76	141	—	45	31	—	6.5
SPZ170 x 8-2517*	8		2517	65	4	100	141	27.5	45	27.5	—	6.8
SPZ180 x 1-1610	180		1	1610	42	1	16	—	—	25	9	92
SPZ180 x 2-2012		2	2012	50	1	28	—	—	32	4	112	2.5
SPZ180 x 3-2012		3	2012	50	6	40	151	—	32	8	112	4.8
SPZ180 x 4-2517*		4	2517	65	6	52	151	—	45	7	124	6.1
SPZ180 x 5-2517*		5	2517	65	6	64	151	—	45	19	124	6.3
SPZ180 x 6-2517*		6	2517	65	6	76	151	—	45	31	124	6.8
SPZ180 x 8-3020		8	3020	75	4	100	151	24.5	51	24.5	—	7.1

Note: \* Requires bushing with BSW threads

# SPZ Metric V-Belt Sheaves - Taper Bushed



Models Available



Dimensions in mm

Part No.	Dm	Groove	Bushing	Max Bore	Figure	B	J	K	L	M	N	Wt. kg
SPZ190 x 1-1610	190	1	1610	42	1	16	—	—	25	9	92	1.8
SPZ190 x 2-2012		2	2012	50	1	28	—	—	32	4	112	2.6
SPZ190 x 3-2012		3	2012	50	6	40	161	—	32	8	112	4.9
SPZ190 x 4-2517*		4	2517	65	6	52	161	—	45	7	124	5.3
SPZ190 x 5-2517*		5	2517	65	6	64	161	—	45	19	124	6.3
SPZ190 x 6-2517*		6	2517	65	6	76	161	—	45	31	124	6.9
SPZ190 x 8-3020		8	3020	75	4	100	161	24.5	51	24.5	—	8.2
SPZ200 x 1-2012	200	1	2012	50	7	16	—	—	32	16	112	2.3
SPZ200 x 2-2012		2	2012	50	7	28	—	—	32	4	112	2.8
SPZ200 x 3-2012		3	2012	50	6	40	171	—	32	8	112	3.5
SPZ200 x 4-2517*		4	2517	65	6	52	171	3.5	45	3.5	124	4.7
SPZ200 x 5-2517*		5	2517	65	6	64	171	9.5	45	9.5	124	5.5
SPZ200 x 6-2517*		6	2517	65	6	76	171	15.5	45	15.5	124	6.1
SPZ200 x 8-3020		8	3020	75	4	100	171	24.5	51	24.5	—	9.3
SPZ224 x 1-2012	224	1	2012	50	5	16	195	8	32	8	112	2.5
SPZ224 x 2-2012		2	2012	50	5	28	195	2	32	2	112	3.2
SPZ224 x 3-2012		3	2012	50	6	40	195	4	32	4	112	3.9
SPZ224 x 4-2517*		4	2517	65	8	52	195	3.5	45	3.5	124	5.2
SPZ224 x 5-2517*		5	2517	65	6	64	195	9.5	45	9.5	124	6.0
SPZ224 x 6-2517*		6	2517	65	6	76	195	15.5	45	15.5	124	6.6
SPZ224 x 8-3020		8	3020	75	4	100	195	24.5	51	24.5	—	11.8
SPZ250 x 1-2012	250	1	2012	50	7	16	221	8	32	8	112	2.8
SPZ250 x 2-2012		2	2012	50	7	28	221	2	32	2	112	3.5
SPZ250 x 3-2012		3	2012	50	8	40	221	4	32	4	112	4.3
SPZ250 x 4-2517*		4	2517	65	8	52	221	3.5	45	3.5	124	5.7
SPZ250 x 5-2517*		5	2517	65	8	64	221	9.5	45	9.5	124	6.4
SPZ250 x 6-2517*		6	2517	65	8	76	221	15.5	45	15.5	124	7.0
SPZ250 x 8-3020		8	3020	75	8	100	221	24.5	51	24.5	145	10.5
SPZ280 x 1-2012	280	1	2012	50	7	16	251	8	32	8	112	2.9
SPZ280 x 2-2012		2	2012	50	7	28	251	2	32	2	112	4.0
SPZ280 x 3-2517*		3	2517	65	7	40	251	2.5	45	2.5	124	5.3
SPZ280 x 4-2517*		4	2517	65	8	52	251	3.5	45	3.5	124	6.4
SPZ280 x 5-2517*		5	2517	65	8	64	251	9.5	45	9.5	124	7.1
SPZ280 x 6-2517*		6	2517	65	8	76	251	15.5	45	15.5	124	7.8
SPZ280 x 8-3020		8	3020	75	8	100	251	24.5	51	24.5	145	10.8

Note: \* Requires bushing with BSW threads.

# SPZ Metric V-Belt Sheaves - Taper Bushed



Models Available

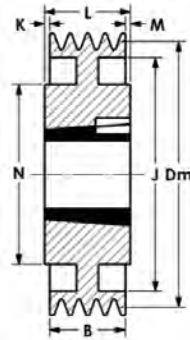


Fig 7

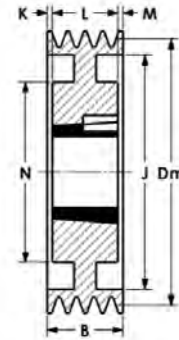


Fig 8

Dimensions in mm

Part No.	Dm	Groove	Bushing	Max Bore	Figure	B	J	K	L	M	N	Wt. kg
SPZ315 x 1-2012	315	1	2012	50	7	16	286	8	32	8	112	3.1
SPZ315 x 2-2012		2	2012	50	7	28	286	2	32	2	112	4.2
SPZ315 x 3-2517*		3	2517	65	7	40	286	2.5	45	2.5	124	6.1
SPZ315 x 4-2517*		4	2517	65	8	52	286	3.5	45	3.5	124	7.6
SPZ315 x 5-2517*		5	2517	65	8	64	286	9.5	45	9.5	124	8.6
SPZ315 x 6-2517*		6	2517	65	8	76	286	15.5	45	15.5	124	9.3
SPZ315 x 8-3020		8	3020	75	8	100	286	24.5	51	24.5	145	12.9
SPZ355 x 1-2012		355	1	2012	50	7	16	326	8	32	8	112
SPZ355 x 2-2012	2		2012	50	7	28	326	2	32	2	112	5.1
SPZ355 x 3-2517*	3		2517	65	7	40	326	2.5	45	2.5	124	7.3
SPZ355 x 4-2517*	4		2517	65	8	52	326	3.5	45	3.5	124	8.9
SPZ355 x 5-2517*	5		2517	65	8	64	326	9.5	45	9.5	124	10.0
SPZ355 x 6-2517*	6		2517	65	8	76	326	15.5	45	15.5	124	10.7
SPZ355 x 8-3030	8		3030	75	8	100	326	12.0	76	12.0	145	16.0
SPZ400 x 1-2012	400		1	2012	50	7	16	371	8	32	8	112
SPZ400 x 2-2517*		2	2517	65	7	28	371	8.5	45	8.5	124	6.3
SPZ400 x 3-2517*		3	2517	65	7	40	371	2.5	45	2.5	124	8.0
SPZ400 x 4-2517*		4	2517	65	8	52	371	3.5	45	3.5	124	10.1
SPZ400 x 5-3020		5	3020	75	8	64	371	6.5	51	6.5	145	11.7
SPZ400 x 6-3020		6	3020	75	8	76	371	12.5	51	12.5	145	14.5
SPZ400 x 8-3030		8	3030	75	8	100	371	12.0	76	12.0	145	18.2
SPZ450 x 1-2517*		450	1	2517	65	7	16	424	14.5	45	14.5	120
SPZ450 x 2-2517*	2		2517	65	7	28	424	8.5	45	8.5	120	8.2
SPZ450 x 3-2517*	3		2517	65	7	40	424	2.5	45	2.5	120	9.8
SPZ450 x 4-3020	4		3020	75	8	52	424	0.5	51	0.5	145	11.8
SPZ450 x 5-3020	5		3020	75	8	64	424	6.5	51	6.5	145	13.9
SPZ450 x 6-3030	6		3030	75	8	76	424	—	76	—	145	16.9
SPZ450 x 8-3535*	8		3535	90	8	100	424	5.5	89	5.5	178	24.0
SPZ500 x 1-2517*	500		1	2517	65	7	16	471	14.5	45	14.5	124
SPZ500 x 2-2517*		2	2517	65	7	28	471	8.5	45	8.5	124	9.1
SPZ500 x 3-2517*		3	2517	65	7	40	471	2.5	45	2.5	124	11.4
SPZ500 x 4-3020		4	3020	75	8	52	471	0.5	51	0.5	159	14.3
SPZ500 x 5-3020		5	3020	75	8	64	471	6.5	51	6.5	145	17.6
SPZ500 x 6-3020		6	3020	75	8	76	471	12.5	51	12.5	145	19.9
SPZ500 x 8-3535*		8	3535	90	8	100	471	5.5	89	5.5	178	26.0
SPZ630 x 2-2517*		630	2	2517	65	7	28	601	8.5	45	8.5	124
SPZ630 x 3-2517*	3		2517	65	7	40	601	2.5	45	2.5	124	15.9
SPZ630 x 4-3020	4		3020	75	8	52	601	0.5	51	0.5	145	20.0
SPZ630 x 5-3020	5		3020	75	8	64	601	6.5	51	6.5	145	22.7
SPZ630 x 6-3535*	6		3535	90	7	76	601	6.5	89	6.5	178	33.6
SPZ630 x 8-3535*	8		3535	90	8	100	601	5.5	89	5.5	178	35.8

Note: \* Requires bushing with BSW threads.



# SPA Metric V-Belt Sheaves - Taper Bushed



Models Available

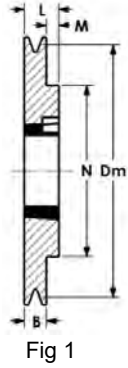


Fig 1

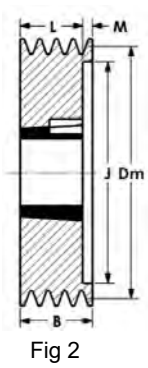


Fig 2

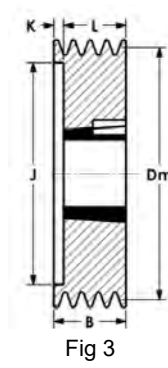


Fig 3

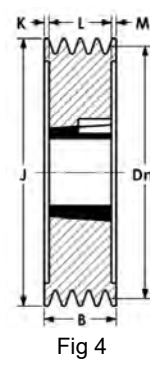


Fig 4

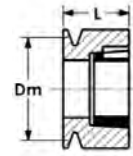


Fig 9

Dimensions in mm

Part No.	Dm	Groove	Bushing	Max Bore	Figure	B	J	K	L	M	N	Wt. kg
SPA63 x 1-1108	63	1	1108	28	9	20	31	18	40	—	68.5	0.6
SPA63 x 2-1108		2	1108	28	9	35	31	33	55	—	68.5	0.8
SPA67 x 1-1108	67	1	1108	28	1	20	—	—	22	2	60	0.3
SPA67 x 2-1108		2	1108	28	3	35	35	13	22	—	—	0.5
SPA71 x 1-1108	71	1	1108	28	1	20	—	—	22	2	60	0.3
SPA71 x 2-1108		2	1108	28	3	35	39	13	22	—	—	0.5
SPA71 x 3-1108		3	1108	28	3	50	39	28	22	—	—	0.7
SPA75 x 1-1108	75	1	1108	28	1	20	—	—	22	2	60	0.4
SPA75 x 2-1108		2	1108	28	3	35	43	13	22	—	—	0.6
SPA75 x 3-1108		3	1108	28	3	50	43	28	22	—	—	0.8
SPA80 x 1-1210	80	1	1210	32	1	20	—	—	25	5	80	0.5
SPA80 x 2-1210		2	1210	32	3	35	50	10	25	—	—	0.6
SPA80 x 3-1210		3	1210	32	3	50	50	25	25	—	—	0.9
SPA85 x 1-1210	85	1	1210	32	1	20	—	—	25	5	80	0.6
SPA85 x 2-1210		2	1210	32	3	35	55	10	25	—	—	0.7
SPA85 x 3-1210		3	1210	32	3	50	55	25	25	—	—	1.0
SPA90 x 1-1210	90	1	1210	32	1	20	—	—	25	5	80	0.7
SPA90 x 2-1610		2	1610	42	3	35	60	10	25	—	—	0.7
SPA90 x 3-1610		3	1610	42	3	50	60	23.5	26.5	—	—	1.0
SPA90 x 4-1610		4	1610	42	3	65	60	40	25	—	—	1.2
SPA95 x 1-1210	95	1	1210	32	1	20	—	—	25	5	80	0.8
SPA95 x 2-1610		2	1610	42	3	35	65	10	25	—	—	0.9
SPA95 x 3-1610		3	1610	42	3	50	65	23.5	26.5	—	—	1.1
SPA95 x 4-1610		4	1610	42	3	65	65	40	25	—	—	1.4
SPA100 x 1-1610	100	1	1610	42	1	20	—	—	25	5	92	0.8
SPA100 x 2-1610		2	1610	42	3	35	65	10	25	—	—	0.9
SPA100 x 3-1610		3	1610	42	2	50	65	—	25	25	—	1.2
SPA100 x 4-1610		4	1610	42	2	65	65	—	25	40	—	1.7
SPA100 x 5-1610		5	1610	42	3	80	65	55	25	—	—	1.9
SPA100 x 6-1610		6	1610	42	4	95	65	30	25	40	—	2.3
SPA106 x 1-1610	106	1	1610	42	1	20	—	—	25	5	92	0.9
SPA106 x 2-1610		2	1610	42	3	35	70	10	25	—	—	1.1
SPA106 x 3-1610		3	1610	42	2	50	70	—	25	25	—	1.4
SPA106 x 4-2012		4	2012	50	3	65	70	33	32	—	—	2.0
SPA106 x 5-2012		5	2012	50	3	80	70	48	32	—	—	2.0
SPA106 x 6-2012		6	2012	50	3	95	70	63	32	—	—	2.4
SPA112 x 1-1610	112	1	1610	42	1	20	—	—	25	5	92	1.0
SPA112 x 2-1610		2	1610	42	3	35	77	10	25	—	—	1.2
SPA112 x 3-2012		3	2012	50	3	50	77	18	32	—	—	1.3
SPA112 x 4-2012		4	2012	50	3	65	77	33	32	—	—	1.9
SPA112 x 5-2012		5	2012	50	3	80	77	48	32	—	—	2.1
SPA112 x 6-2012		6	2012	50	3	95	77	63	32	—	—	2.4
SPA118 x 1-1610	118	1	1610	42	1	20	—	—	25	5	85	1.2
SPA118 x 2-1610		2	1610	42	3	35	84	10	25	—	—	1.4
SPA118 x 3-2012		3	2012	50	2	50	84	—	32	18	—	1.8
SPA118 x 4-2012		4	2012	50	2	65	84	—	32	33	—	2.0
SPA118 x 5-2012		5	2012	50	2	80	84	—	32	48	—	2.4
SPA118 x 6-2012		6	2012	50	3	95	84	63	32	—	—	2.7

# SPA Metric V-Belt Sheaves - Taper Bushed



Models Available

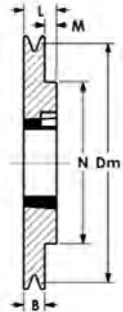


Fig 1

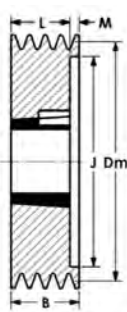


Fig 2

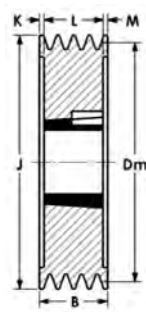


Fig 4

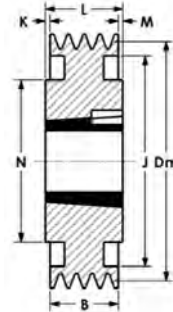


Fig 5

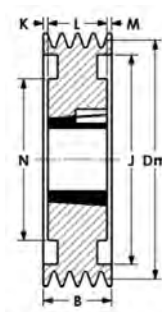


Fig 6

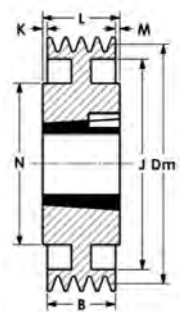


Fig 7

Dimensions in mm

Part No.	Dm	Groove	Bushing	Max Bore	Figure	B	J	K	L	M	N	Wt. kg
SPA125 x 1-1610	125	1	1610	42	1	20	—	—	25	5	92	1.4
SPA125 x 2-1610		2	1610	42	2	35	90	—	25	10	—	1.7
SPA125 x 3-2012		3	2012	50	2	50	90	—	32	18	—	2.0
SPA125 x 4-2012		4	2012	50	2	65	90	—	32	33	—	2.5
SPA125 x 5-2012		5	2012	50	2	80	90	—	32	48	—	2.7
SPA125 x 6-2012		6	2012	50	4	95	90	31.5	32	31.5	—	3.0
SPA132 x 1-1610	132	1	1610	42	1	20	—	—	26.5	6.5	92	1.6
SPA132 x 2-2012		2	2012	50	2	35	98	—	32	3	—	1.8
SPA132 x 3-2012		3	2012	50	2	50	98	—	32	18	—	2.3
SPA132 x 4-2517*		4	2517	65	2	65	98	—	45	20	—	2.6
SPA132 x 5-2517*		5	2517	65	2	80	98	—	45	35	—	2.9
SPA132 x 6-2517*		6	2517	65	4	95	98	25	45	25	—	3.3
SPA140 x 1-1610	140	1	1610	42	1	20	—	—	25	5	92	1.2
SPA140 x 2-2012		2	2012	50	2	35	105	—	32	3	—	1.7
SPA140 x 3-2517*		3	2517	65	2	50	105	—	45	5	—	2.6
SPA140 x 4-2517*		4	2517	65	2	65	105	—	45	20	—	2.9
SPA140 x 5-2517*		5	2517	65	2	80	105	—	45	35	—	3.4
SPA140 x 6-2517*		6	2517	65	4	95	105	25	45	25	—	3.8
SPA150 x 1-1610	150	1	1610	42	1	20	—	—	25	5	92	1.2
SPA150 x 2-2012		2	2012	50	2	35	115	—	32	3	—	2.0
SPA150 x 3-2517*		3	2517	65	2	50	115	—	45	5	—	3.1
SPA150 x 4-2517*		4	2517	65	2	65	115	—	45	20	—	3.8
SPA150 x 5-2517*		5	2517	65	2	80	115	—	45	35	—	4.2
SPA150 x 6-2517*		6	2517	65	4	95	115	25	45	25	—	4.8
SPA160 x 1-1610	160	1	1610	42	5	20	125	—	25	5	92	1.9
SPA160 x 2-2012		2	2012	50	2	35	125	—	32	3	—	2.9
SPA160 x 3-2517*		3	2517	65	2	50	125	—	45	5	—	3.9
SPA160 x 4-2517*		4	2517	65	2	65	125	—	45	20	—	4.4
SPA160 x 5-2517*		5	2517	65	2	80	125	—	45	35	—	5.1
SPA160 x 6-2517*		6	2517	65	4	95	125	25	45	25	—	5.8
SPA170 x 1-1610	170	1	1610	42	5	20	135	—	25	5	92	2.0
SPA170 x 2-2012		2	2012	50	2	35	135	—	32	3	—	3.1
SPA170 x 3-2517*		3	2517	65	2	50	135	—	45	5	—	4.6
SPA170 x 4-2517*		4	2517	65	2	65	135	—	45	20	—	5.5
SPA170 x 5-3020		5	3020	75	2	80	135	—	51	29	—	5.9
SPA170 x 6-3020		6	3020	75	4	95	135	22	51	22	3	6.5
SPA180 x 1-1610	180	1	1610	42	5	20	145	—	25	5	92	2.1
SPA180 x 2-2012		2	2012	50	6	35	145	—	32	3	110	3.4
SPA180 x 3-2517*		3	2517	65	2	50	145	—	45	5	—	5.1
SPA180 x 4-2517*		4	2517	65	2	65	145	—	45	20	—	5.9
SPA180 x 5-3020		5	3020	75	2	80	145	—	51	29	—	6.2
SPA180 x 6-3020		6	3020	75	4	95	145	22	51	22	—	6.7
SPA190 x 1-1610	190	1	1610	42	7	20	155	—	25	5	92	2.3
SPA190 x 2-2012		2	2012	55	6	35	155	—	32	3	110	3.8
SPA190 x 3-2517*		3	2517	65	2	50	155	—	45	5	—	5.4
SPA190 x 4-2517*		4	2517	65	2	65	155	—	45	20	—	6.8
SPA190 x 5-3020		5	3020	75	2	80	155	—	51	29	—	7.4
SPA190 x 6-3020		6	3020	75	4	95	155	22	51	22	—	8.1

Note: \* Requires bushing with BSW threads.

# SPA Metric V-Belt Sheaves - Taper Bushed



Models Available

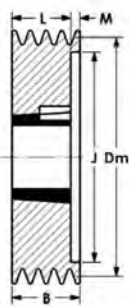


Fig 2

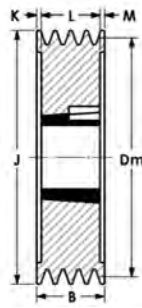


Fig 4

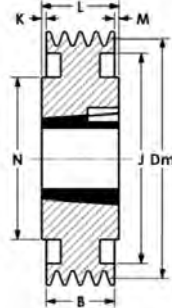


Fig 5

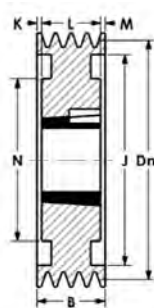


Fig 6

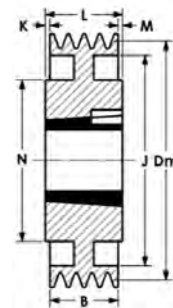


Fig 7

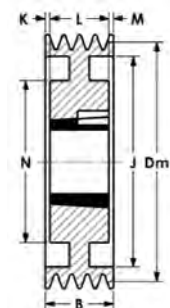


Fig 8

Dimensions in mm

Part No.	Dm	Groove	Bushing	Max Bore	Figure	B	J	K	L	M	N	Wt. kg
SPA200 x 1-2012	200	1	2012	50	7	20	165	—	32	12	112	2.6
SPA200 x 2-2517*		2	2517	65	5	35	165	—	45	10	124	4.1
SPA200 x 3-2517*		3	2517	65	6	50	165	—	45	5	124	4.9
SPA200 x 4-3020		4	3020	75	2	65	165	—	51	14	—	7.4
SPA200 x 5-3020		5	3020	75	4	80	165	14.5	51	14.5	—	8.4
SPA200 x 6-3020		6	3020	75	4	95	165	22	51	22	—	9.4
SPA212 x 1-2012	212	1	2012	50	5	20	177	—	32	12	112	2.7
SPA212 x 2-2517*		2	2517	65	5	35	177	—	45	10	124	4.3
SPA212 x 3-2517*		3	2517	65	8	50	177	—	45	5	124	5.2
SPA212 x 4-3020		4	3020	75	2	65	177	—	51	14	—	7.3
SPA212 x 5-3020		5	3020	75	2	80	177	—	51	29	—	8.2
SPA212 x 6-3020		6	3020	75	4	95	177	22	51	22	—	9.2
SPA224 x 1-2012	224	1	2012	50	7	20	189	—	32	12	112	2.7
SPA224 x 2-2517*		2	2517	65	7	35	189	—	45	10	124	4.4
SPA224 x 3-2517*		3	2517	65	8	50	189	2.5	45	2.5	124	5.5
SPA224 x 4-3020		4	3020	75	2	65	189	—	52.5	12.5	—	7.4
SPA224 x 5-3020		5	3020	75	2	80	189	—	52.5	27.5	—	8.3
SPA224 x 6-3020		6	3020	75	4	95	189	22	51	22	—	9.4
SPA236 x 1-2012	236	1	2012	50	7	20	201	—	32	12	112	2.8
SPA236 x 2-2517*		2	2517	65	5	35	201	—	45	10	124	4.6
SPA236 x 3-2517*		3	2517	65	8	50	201	2.5	45	2.5	124	5.7
SPA236 x 4-3020		4	3020	75	2	65	201	—	52.5	12.5	—	7.8
SPA236 x 5-3020		5	3020	75	2	80	201	—	52.5	27.5	—	8.7
SPA236 x 6-3020		6	3020	75	4	95	201	22	51	22	—	9.7
SPA250 x 1-2012	250	1	2012	50	7	20	215	—	32	12	112	2.9
SPA250 x 2-2517*		2	2517	65	7	35	215	—	45	10	124	4.8
SPA250 x 3-2517*		3	2517	65	8	50	215	2.5	45	2.5	124	5.9
SPA250 x 4-3020		4	3020	75	6	65	215	7	51	7	159	8.0
SPA250 x 5-3020		5	3020	75	6	80	215	14.5	51	14.5	159	9.0
SPA250 x 6-3020		6	3020	75	6	95	215	22	51	22	159	10.0
SPA265 x 1-2012	265	1	2012	50	7	20	230	—	32	12	112	3.1
SPA265 x 2-2517*		2	2517	65	7	35	230	—	45	10	124	5.1
SPA265 x 3-2517*		3	2517	65	8	50	230	2.5	45	2.5	159	6.3
SPA265 x 4-3020		4	3020	75	6	65	230	7	51	7	159	8.4
SPA265 x 5-3020		5	3020	75	6	80	230	14.5	51	14.5	159	9.5
SPA265 x 6-3020		6	3020	75	6	95	230	22	51	22	159	10.5
SPA280 x 1-2012	280	1	2012	50	7	20	248	—	32	12	112	3.3
SPA280 x 2-2517*		2	2517	65	7	35	248	—	45	10	124	5.4
SPA280 x 3-2517*		3	2517	65	6	50	248	2.5	45	2.5	159	6.7
SPA280 x 4-3020		4	3020	75	6	65	248	7	51	7	159	8.8
SPA280 x 5-3535		5	3535	90	5	80	248	4.5	89	4.5	178	15.5
SPA280 x 6-3525*		6	3525	90	6	95	248	15	65	14	178	14.5
SPA300 x 1-2012	300	1	2012	50	7	20	265	—	32	12	112	3.5
SPA300 x 2-2517*		2	2517	65	7	35	265	—	45	10	124	5.8
SPA300 x 3-3020		3	3020	75	5	50	265	0.5	51	0.5	159	7.4
SPA300 x 4-3020		4	3020	75	6	65	265	7	51	7	159	9.3
SPA300 x 5-3535*		5	3535	90	5	80	265	4.5	89	4.5	178	16.2
SPA300 x 6-3525*		6	3525	90	6	95	265	15	65	15	178	15.5

Note: \* Requires bushing with BSW threads.

Introduction  
 Mounted Ball Bearings  
 SRE / SR2 Spherical Bearings  
 SAF / Plummer Blocks  
 Brg. Accessories, Radial Ball, & EICH Bearings  
 Rod Ends & Spherical Plain Bearings  
 Roller Chain & Sprockets  
 Bushings & Hubs  
 Gears & Racks  
 Belt Drives / Couplings  
 Linear Motion / WINKEL

# SPA Metric V-Belt Sheaves - Taper Bushed



Models Available

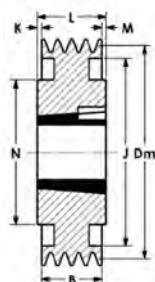


Fig 5

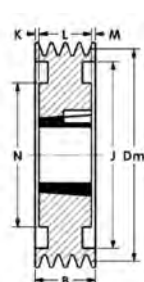


Fig 6

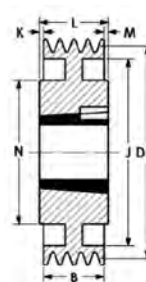


Fig 7

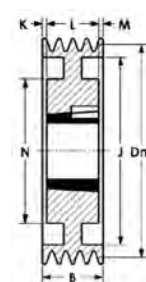


Fig 8

Dimensions in mm

Part No.	Dm	Groove	Bushing	Max Bore	Figure	B	J	K	L	M	N	Wt. kg
SPA315 x 1-2012	315	1	2012	50	7	20	280	—	32	12	112	3.6
SPA315 x 2-2517*		2	2517	65	7	35	280	—	45	10	124	6.0
SPA315 x 3-3020		3	3020	75	5	50	280	0.5	51	0.5	159	8.3
SPA315 x 4-3020		4	3020	75	6	65	280	7	51	7	159	9.7
SPA315 x 5-3535*		5	3535	90	5	80	280	4.5	89	4.5	178	17.0
SPA315 x 6-3535*		6	3535	90	6	95	280	15	65	15	178	17.5
SPA355 x 1-2012	355	1	2012	50	7	20	320	—	32	12	112	4.2
SPA355 x 2-2517*		2	2517	65	7	35	320	—	45	10	124	6.7
SPA355 x 3-3020		3	3020	75	7	50	320	0.5	51	0.5	159	9.2
SPA355 x 4-3020		4	3020	75	8	65	320	7	51	7	159	11.0
SPA355 x 5-3535*		5	3535	90	7	80	320	4.5	89	4.5	178	18.6
SPA355 x 6-3535*		6	3535	90	8	95	320	15	65	15	178	19.0
SPA400 x 1-2012	400	1	2012	50	7	20	365	—	32	12	112	4.9
SPA400 x 2-2517*		2	2517	65	7	35	365	—	45	10	124	8.1
SPA400 x 3-3020		3	3020	75	7	50	365	0.5	51	0.5	159	11.0
SPA400 x 4-3020		4	3020	75	8	65	365	7	51	7	159	12.8
SPA400 x 5-3535*		5	3535	90	7	80	365	4.5	89	4.5	178	21.0
SPA400 x 6-3535*		6	3535	90	8	95	365	15	65	15	178	22.0
SPA450 x 1-2012	450	1	2012	50	7	20	418	—	32	12	112	7.0
SPA450 x 2-2517*		2	2517	65	7	35	418	—	45	10	124	10.3
SPA450 x 3-3020		3	3020	75	7	50	418	0.5	51	0.5	159	14.1
SPA450 x 4-3020		4	3020	75	8	65	418	7	51	7	159	15.5
SPA450 x 5-3535*		5	3535	90	7	80	418	4.5	89	4.5	178	24.3
SPA450 x 6-3535*		6	3535	90	8	95	418	15	65	15	178	25.2
SPA500 x 1-2517*	500	1	2517	65	7	20	465	—	45	25	124	8.0
SPA500 x 2-2517*		2	2517	65	7	35	465	—	45	10	124	11.6
SPA500 x 3-3020		3	3020	75	7	50	465	0.5	51	0.5	159	16.0
SPA500 x 4-3020		4	3020	75	8	65	465	7	51	7	159	18.2
SPA500 x 5-3535*		5	3535	90	7	80	465	4.5	89	4.5	178	27.3
SPA500 x 6-3535*		6	3535	90	8	95	465	15	65	15	178	28.0
SPA560 x 1-2517*	560	1	2517	65	7	20	525	—	45	25	124	11.6
SPA560 x 2-3020		2	3020	75	7	35	525	—	51	16	159	15.5
SPA560 x 3-3020		3	3020	75	7	50	525	0.5	51	0.5	159	17.8
SPA560 x 4-3535*		4	3535	90	7	65	525	12	89	12	178	26.7
SPA560 x 5-3535*		5	3535	90	7	80	525	4.5	89	4.5	178	30.4
SPA560 x 6-3535*		6	3535	90	8	95	525	15	65	15	178	31.5
SPA630 x 1-2517*	630	1	2517	65	7	20	595	—	45	25	124	10.1
SPA630 x 2-3020		2	3020	75	7	35	595	—	51	16	159	16.0
SPA630 x 3-3020		3	3020	75	7	50	595	0.5	51	0.5	159	22.0
SPA630 x 4-3535*		4	3535	90	7	65	595	12	89	12	178	3.08
SPA630 x 5-3535*		5	3535	90	7	80	595	4.5	89	4.5	178	33.7
SPA630 x 6-4040		6	4040	100	8	95	595	9.5	76	9.5	216	42.0
SPA800 x 2-3535*	800	2	3535	90	7	35	766	27	89	27	178	29.3
SPA800 x 3-3535*		3	3535	90	7	50	766	19.5	89	19.5	178	34.5
SPA800 x 4-3535*		4	3535	90	7	65	766	12	89	12	178	39.0
SPA800 x 5-4040		5	4040	100	7	80	766	11	102	11	216	54.0
SPA800 x 6-4040		6	4040	100	8	95	766	9.5	76	9.5	216	55.0
SPA900 x 3-3535*		900	3	3535	90	7	50	866	19.5	89	19.5	178
SPA900 x 4-3535*	4		3535	90	7	65	866	12	89	12	178	45.5
SPA900 x 5-4040	5		4040	100	7	80	866	11	102	11	216	58.7

Note: \* Requires bushing with BSW threads.

# SPB Metric V-Belt Sheaves - Taper Bushed



Models Available

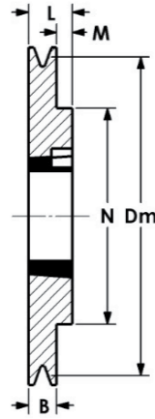


Fig 1

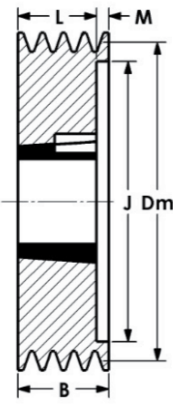


Fig 2

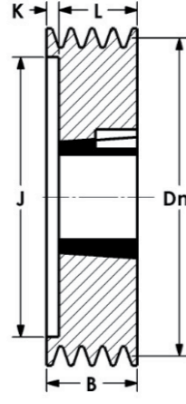


Fig 3

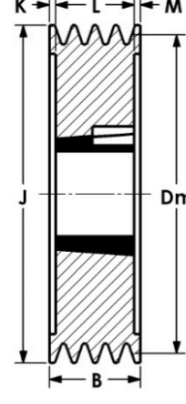


Fig 4

Dimensions in mm

Part No.	Dm	Groove	Bushing	Max Bore	Figure	B	J	K	L	M	N	Wt. kg
SPB100 x 1-1610	100	1	1610	42	1	25	—	—	25	—	—	0.9
SPB100 x 2-1610		2	1610	42	3	44	62	19	25	—	—	1.2
SPB100 x 3-1610		3	1610	42	3	63	62	38	25	—	—	1.7
SPB112 x 1-1610	112	1	1610	42	1	25	—	—	25	—	—	1.1
SPB112 x 2-1610		2	1610	42	3	44	75	19	25	—	—	1.5
SPB112 x 3-1610		3	1610	42	3	63	75	38	25	—	—	2.0
SPB118 x 1-1610	118	1	1610	42	1	25	—	—	25	—	92	1.3
SPB118 x 2-1610		2	1610	42	3	44	81	19	25	—	—	1.7
SPB118 x 3-1610		3	1610	42	3	63	81	38	25	—	—	2.3
SPB125 x 1-1610	125	1	1610	42	1	25	—	—	25	—	92	1.5
SPB125 x 2-2012		2	2012	50	2	44	85	—	32	12	—	1.9
SPB125 x 3-2012		3	2012	50	2	63	85	—	32	31	—	2.4
SPB125 x 4-2012		4	2012	50	4	82	85	25	32	25	—	3.0
SPB125 x 5-2012		5	2012	50	3	101	85	69	32	—	—	3.5
SPB132 x 1-1610	132	1	1610	42	1	25	—	—	25	—	92	1.8
SPB132 x 2-2012		2	2012	50	2	44	92	—	32	12	—	2.2
SPB132 x 3-2012		3	2012	50	2	63	92	—	32	31	—	2.8
SPB132 x 4-2012		4	2012	50	4	82	92	25	32	25	—	3.4
SPB132 x 5-2012		5	2012	50	4	101	92	34.5	32	34.5	—	3.7
SPB140 x 1-1610	140	1	1610	42	1	25	—	—	25	—	92	2.3
SPB140 x 2-2012		2	2012	50	2	44	100	—	32	12	—	2.7
SPB140 x 3-2012		3	2012	50	2	63	100	—	32	31	—	3.3
SPB140 x 4-2517*		4	2517	65	2	82	100	—	45	37	—	3.7
SPB140 x 5-2517*		5	2517	65	2	101	100	—	45	56	—	4.5
SPB140 x 6-2517*		6	2517	65	4	120	100	37.5	45	37.5	—	4.6
SPB150 x 1-1610	150	1	1610	42	1	25	—	—	25	—	92	2.7
SPB150 x 2-2012		2	2012	50	2	44	110	—	32	12	—	3.1
SPB150 x 3-2517*		3	2517	65	2	63	110	—	45	18	—	3.9
SPB150 x 4-2517*		4	2517	65	2	82	110	—	45	37	—	4.4
SPB150 x 5-2517*		5	2517	65	4	101	110	28	45	28	—	5.2
SPB150 x 6-2517*		6	2517	65	4	120	110	37.5	45	37.5	—	5.6

Note: \* Requires bushing with BSW threads.

# SPB Metric V-Belt Sheaves - Taper Bushed



Models Available

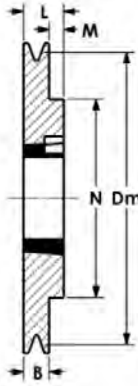


Fig 1

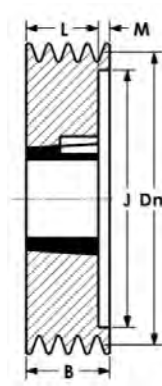


Fig 2

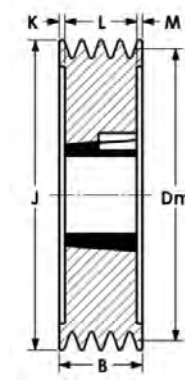


Fig 4

Dimensions in mm

Part No.	Dm	Groove	Bushing	Max Bore	Figure	B	J	K	L	M	N	Wt. kg
SPB160 x 1-1610	160	1	1610	42	1	25	—	—	25	—	92	2.5
SPB160 x 2-2012		2	2012	50	2	44	114	—	32	12	—	2.9
SPB160 x 3-2517*		3	2517	65	2	63	114	—	45	18	—	4.2
SPB160 x 4-2517*		4	2517	65	4	82	114	18.5	45	18.5	—	4.9
SPB160 x 5-2517*		5	2517	65	4	101	114	28	45	28	—	6.0
SPB160 x 6-3020		6	3020	75	4	120	114	34.5	51	34.5	—	5.4
SPB170 x 1-1610	170	1	1610	42	1	25	—	—	25	—	92	2.9
SPB170 x 2-2012		2	2012	50	2	44	124	—	32	12	—	3.3
SPB170 x 3-2517*		3	2517	65	2	63	124	—	45	18	—	4.9
SPB170 x 4-2517*		4	2517	65	4	82	124	18.5	45	18.5	—	5.7
SPB170 x 5-3020		5	3020	75	4	101	124	25	51	25	—	6.1
SPB170 x 6-3020		6	3020	75	4	120	124	34.5	51	34.5	—	6.5
SPB170 x 8-3030	8	3030	75	4	158	129	41	76	41	—	9.5	
SPB180 x 1-1610	180	1	1610	42	1	25	—	—	25	—	92	4.1
SPB180 x 2-2517*		2	2517	65	1	44	134	—	45	1	—	4.5
SPB180 x 3-2517*		3	2517	65	2	63	134	—	45	18	—	5.5
SPB180 x 4-2517*		4	2517	65	4	82	134	18.5	45	18.5	—	6.9
SPB180 x 5-3020		5	3020	75	4	101	134	25	51	25	—	7.1
SPB180 x 6-3020		6	3020	75	4	120	134	34.5	51	34.5	—	7.7
SPB180 x 8-3030	8	3030	75	4	158	139	41	76	41	—	11.2	
SPB190 x 1-2012	190	1	2012	50	1	25	—	—	32	7	112	4.6
SPB190 x 2-2517*		2	2517	65	1	44	—	—	45	1	124	5.0
SPB190 x 3-2517*		3	2517	65	2	63	144	—	45	18	—	6.3
SPB190 x 4-2517*		4	2517	65	4	82	144	18.5	45	18.5	—	7.6
SPB190 x 5-3020		5	3020	75	4	101	144	25	51	25	—	8.1
SPB190 x 6-3020		6	3020	75	4	120	144	34.5	51	34.5	—	9.2
SPB190 x 8-3020	8	3020	75	4	158	149	41	76	41	—	12.4	
SPB200 x 1-2012	200	1	2012	50	1	25	—	—	32	7	95	5.0
SPB200 x 2-2517*		2	2517	65	1	44	—	—	45	1	124	5.4
SPB200 x 3-2517*		3	2517	65	2	63	154	—	45	18	—	6.5
SPB200 x 4-3020		4	3020	75	2	82	154	—	51	31	—	8.8
SPB200 x 5-3020		5	3020	75	2	101	154	—	51	50	—	9.1
SPB200 x 6-3020		6	3020	75	4	120	154	34.5	51	34.5	—	10.3
SPB200 x 8-3535*	8	3535	90	4	158	159	34.5	89	34.5	—	13.5	

Note: \* Requires bushing with BSW threads.

# SPB Metric V-Belt Sheaves - Taper Bushed

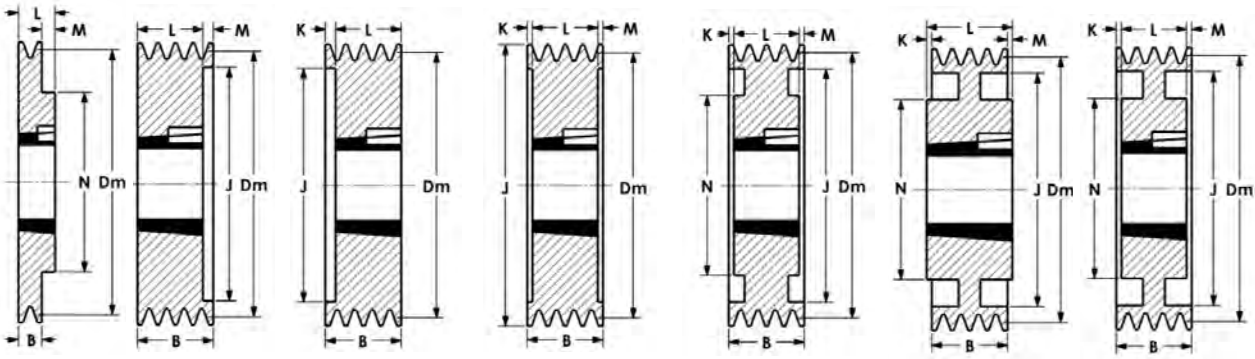


Fig 1 Fig 2 Fig 3 Fig 4 Fig 6 Fig 7 Fig 8

Dimensions in mm

Part No.	Dm	Groove	Bushing	Max Bore	Figure	B	J	K	L	M	N	Wt. kg
SPB212 x 1-2012	212	1	2012	50	7	25	—	—	32	7	95	4.2
SPB212 x 2-2517*		2	2517	65	1	44	—	—	45	1	124	4.9
SPB212 x 3-2517*		3	2517	65	2	63	166.5	—	45	18	—	6.0
SPB212 x 4-3020		4	3020	75	2	82	166.5	—	51	31	—	9.8
SPB212 x 5-3020		5	3020	75	2	101	166.5	—	51	50	—	11.0
SPB212 x 6-3535*		6	3535	90	4	120	166.5	15.5	89	15.5	—	14.3
SPB212 x 8-3535*		8	3535	90	4	158	171	34.5	89	34.5	—	16.6
SPB224 x 1-2012		224	1	2012	50	1	25	—	—	32	7	95
SPB224 x 2-2517*	2		2517	65	1	44	—	—	45	1	124	5.3
SPB224 x 3-2517*	3		2517	65	2	63	178	—	45	18	—	6.3
SPB224 x 4-3020	4		3020	75	2	82	178	—	51	31	—	11.3
SPB224 x 5-3020	5		3020	75	2	101	178	—	51	50	—	12.7
SPB224 x 6-3535*	6		3535	90	4	120	178	15.5	89	15.5	—	17.0
SPB224 x 8-3535*	8		3535	90	4	158	184	34.5	89	34.5	—	19.3
SPB224 x 10-3535*	10		3535	90	4	196	184	46	89	61	—	21.8
SPB236 x 1-2012	236	1	2012	50	1	25	198	—	32	7	95	5.0
SPB236 x 2-2517*		2	2517	65	1	44	198	—	45	1	—	5.5
SPB236 x 3-2517*		3	2517	65	8	63	198	—	45	18	—	7.0
SPB236 x 4-3020		4	3020	75	8	82	198	15.5	51	15.5	—	14.5
SPB236 x 5-3535*		5	3535	90	3	101	198	—	89	12	—	16.9
SPB236 x 6-3535*		6	3535	90	4	120	198	15.5	89	15.5	—	20.0
SPB236 x 8-3535*		8	3535	90	4	158	198	34.5	89	34.5	—	22.3
SPB236 x 10-3535*		10	3535	90	4	196	198	53.5	89	53.5	—	25.3
SPB250 x 1-2012	250	1	2012	50	1	25	212	—	32	7	—	5.4
SPB250 x 2-2517*		2	2517	65	7	44	—	—	45	1	124	5.5
SPB250 x 3-3020		3	3020	75	2	63	204	—	51	12	—	7.7
SPB250 x 4-3020		4	3020	75	2	82	204	—	51	31	—	19.6
SPB250 x 5-3535*		5	3535	90	2	101	204	—	89	12	—	21.7
SPB250 x 6-3535*		6	3535	90	4	120	204	15.5	89	15.5	—	23.3
SPB250 x 8-3535*		8	3535	90	4	158	204	34.5	89	34.5	—	27.5
SPB250 x 10-3535*		10	3535	90	4	196	204	46	89	61	—	29.3
SPB265 x 2-2517*	265	2	2517	65	7	44	224	0.5	45	0.5	124	6.2
SPB265 x 3-3020		3	3020	75	6	63	224	6	51	6	159	8.0
SPB265 x 4-3020		4	3020	75	6	82	224	15.5	51	15.5	519	9.5
SPB265 x 5-3525		5	3525	90	6	101	224	18	65	18	178	17.0
SPB265 x 6-3525		6	3525	90	6	120	224	27.5	65	27.5	178	16.7
SPB265 x 8-3525		8	3525	90	6	158	224	46.5	65	46.5	178	24.0

Note: \* Requires bushing with BSW threads.

# SPB Metric V-Belt Sheaves - Taper Bushed



Models Available

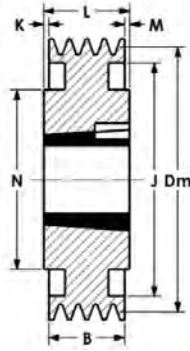


Fig 5

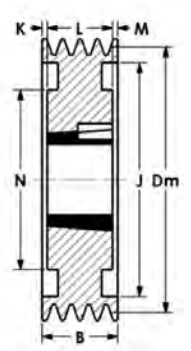


Fig 6

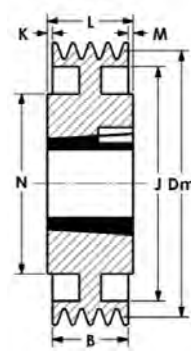


Fig 7

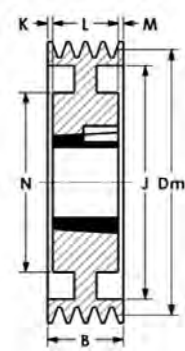


Fig 8

Dimensions in mm

Part No.	Dm	Groove	Bushing	Max Bore	Figure	B	J	K	L	M	N	Wt. kg	
SPB280 x 1-2012	280	1	2012	50	7	25	242	—	32	7	95	6.2	
SPB280 x 2-2517*		2	2517	65	7	44	242	0.5	45	0.5	124	6.8	
SPB280 x 3-3020		3	3020	75	8	63	242	6	51	6	159	8.6	
SPB280 x 4-3020		4	3020	75	6	82	242	15.5	51	15.5	159	10.1	
SPB280 x 5-3535*		5	3535	90	6	101	239	6	89	6	178	17.8	
SPB280 x 6-3535*		6	3535	90	6	120	239	15.5	89	15.5	178	19.6	
SPB280 x 8-3535*		8	3535	90	6	158	239	34.5	89	34.5	—	26.7	
SPB280 x 10-3535*		10	3535	90	6	196	239	46	89	61	—	30.5	
SPB300 x 1-2012		300	1	2012	50	7	25	262	—	32	7	95	6.8
SPB300 x 2-2517*			2	2517	65	7	44	262	0.5	45	0.5	124	7.3
SPB300 x 3-3020	3		3020	75	8	63	262	6	51	6	159	9.2	
SPB300 x 4-3020	4		3020	75	6	82	262	15.5	51	15.5	159	14.3	
SPB300 x 5-3535*	5		3535	90	6	101	259	6	89	6	178	18.2	
SPB300 x 6-3535*	6		3535	90	6	120	259	15.5	89	15.5	178	21.9	
SPB300 x 8-3535*	8		3535	90	6	158	259	34.5	89	34.5	180	26.2	
SPB315 x 1-2012	315		1	2012	50	7	25	277	—	32	7	95	7.2
SPB315 x 2-2517*		2	2517	65	7	44	269	0.5	45	0.5	124	7.8	
SPB315 x 3-3020		3	3020	75	8	63	269	6	51	6	159	9.6	
SPB315 x 4-3535*		4	3535	90	5	82	269	3.5	89	3.5	178	17.1	
SPB315 x 5-3535*		5	3535	90	6	101	269	6	89	6	178	18.8	
SPB315 x 6-3535*		6	3535	90	6	120	269	15.5	89	15.5	178	23.0	
SPB315 x 8-3535*		8	3535	90	6	158	274	34.5	89	34.5	180	26.0	
SPB315 x 10-3535*		10	3535	90	6	196	274	53.5	89	53.5	180	31.5	
SPB335 x 2-2517*		335	2	2517	65	7	44	297	—	45	1	120	7.8
SPB335 x 3-3020			3	3020	75	8	63	297	6	51	6	145	10.5
SPB335 x 4-3535*	4		3535	90	7	82	297	3.5	89	3.5	178	18.3	
SPB335 x 5-3535*	5		3535	90	8	101	297	6	89	6	178	19.5	
SPB335 x 6-3535*	6		3535	90	8	120	297	15.5	89	15.5	179	22.0	
SPB335 x 8-3535*	8		3535	90	8	158	294	34.5	89	34.5	180	28.2	
SPB335 x 10-4040	10		4040	100	8	196	294	47	102	47	216	36.0	
SPB355 x 2-3020	355		2	3020	75	7	44	309	3.5	51	3.5	159	8.7
SPB355 x 3-3020			3	3020	75	8	63	309	6	51	6	159	10.8
SPB355 x 4-3535*			4	3535	90	7	82	309	3.5	89	3.5	178	18.6
SPB355 x 5-3535*		5	3535	90	8	101	309	6	89	6	178	20.8	
SPB355 x 6-3535*		6	3535	90	6	120	309	15.5	89	15.5	179	22.8	
SPB355 x 8-3535*		8	3535	90	8	158	317	34.5	89	34.5	180	27.0	
SPB355 x 10-4040		10	4040	100	8	196	317	47	102	47	216	38.0	

Note: \* Requires bushing with BSW threads.



# SPB Metric V-Belt Sheaves - Taper Bushed



Models Available

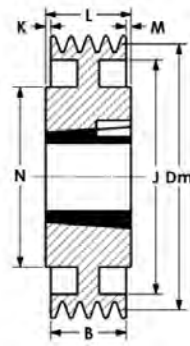


Fig 7

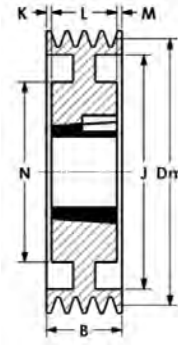


Fig 8

Dimensions in mm

Part No.	Dm	Groove	Bushing	Max Bore	Figure	B	J	K	L	M	N	Wt. kg
SPB375 x 2-3020	375	2	3020	75	7	44	335	3.5	51	3.5	159	9.5
SPB375 x 3-3020		3	3020	75	8	63	335	6	51	6	159	11.5
SPB375 x 4-3525		4	3525	90	8	82	335	8.5	65	8.5	178	16.5
SPB375 x 5-3535*		5	3535	90	8	101	335	18	65	18	178	21.0
SPB375 x 6-3535*		6	3535	90	8	120	335	27.5	65	27.5	178	25.0
SPB375 x 8-4040		8	4040	90	8	158	335	46.5	65	46.5	178	28.0
SPB400 x 2-3020	400	2	3020	75	7	44	354	3.5	51	3.5	159	10.0
SPB400 x 3-3535*		3	3535	90	7	63	354	13	89	13	178	18.3
SPB400 x 4-3535*		4	3535	90	7	82	354	3.5	89	3.5	178	20.5
SPB400 x 5-3535*		5	3535	90	8	101	354	6	89	6	178	23.4
SPB400 x 6-3535*		6	3535	90	8	120	354	15.5	89	15.5	179	25.1
SPB400 x 8-4040		8	4040	100	8	158	362	28	102	28	216	36.5
SPB400 x 10-4040	10	4040	100	8	196	362	47	102	47	216	41.0	
SPB450 x 2-3020	450	2	3020	75	7	44	410	3.5	51	3.5	159	12.1
SPB450 x 3-3535*		3	3535	90	7	63	410	13	89	13	178	21.9
SPB450 x 4-3535*		4	3535	90	7	82	410	3.5	89	3.5	178	24.5
SPB450 x 5-3535*		5	3535	90	8	101	410	6	89	6	178	27.3
SPB450 x 6-4040		6	4040	100	8	120	410	9	102	9	216	35.5
SPB450 x 8-4040		8	4040	100	8	158	410	28	102	28	216	40.9
SPB450 x 10-4545	10	4545	110	8	196	410	40.5	115	40.5	242	53.5	
SPB500 x 2-3020	500	2	3020	75	7	44	454	3.5	51	3.5	159	13.2
SPB500 x 3-3535*		3	3535	90	7	63	454	13	89	13	178	23.1
SPB500 x 4-3535*		4	3535	90	7	82	454	3.5	89	3.5	178	26.6
SPB500 x 5-3535*		5	3535	90	8	101	454	6	89	6	178	29.9
SPB500 x 6-4040		6	4040	100	8	120	454	9	102	9	216	38.9
SPB500 x 8-4040		8	4040	100	8	158	460	28	102	28	216	45.5
SPB500 x 10-4545	10	4545	110	8	196	460	40.5	115	40.5	242	61.0	
SPB560 x 2-3020	560	2	3020	75	7	44	525	16	76	16	159	17.1
SPB560 x 3-3535*		3	3535	90	7	63	525	—	89	26	178	25.9
SPB560 x 4-3535*		4	3535	90	7	82	525	—	89	7	178	29.0
SPB560 x 5-4040		5	4040	100	7	101	525	0.5	102	0.5	216	35.3
SPB560 x 6-4040		6	4040	100	8	120	525	9	102	9	216	43.1
SPB560 x 8-4545		8	4545	110	8	158	525	21.5	115	21.5	242	49.0
SPB560 x 10-4545	10	4545	110	8	196	525	40.5	115	40.5	242	65.0	
SPB630 x 2-3030	630	2	3030	75	7	44	584	16	76	16	146	19.3
SPB630 x 3-3535*		3	3535	90	7	63	584	13	89	13	178	28.9
SPB630 x 4-3535*		4	3535	90	7	82	284	3.5	89	3.5	178	33.3
SPB630 x 5-4040		5	4040	100	7	101	584	0.5	102	0.5	216	43.1
SPB630 x 6-4040		6	4040	100	8	120	584	9	102	9	216	49.2
SPB630 x 8-4545		8	4545	110	8	158	590	21.5	115	21.5	242	62.0
SPB630 x 10-4545	10	4545	110	8	196	590	40.5	115	40.5	242	72.0	

Note: \* Requires bushing with BSW threads.

Introduction  
Mounted Ball Bearings  
SRE / SR2 Spherical Bearings  
SAF / Plummer Blocks  
Brq. Accessories, Radial Ball, & EICH Bearings  
Rod Ends & Spherical Plain Bearings  
Roller Chain & Sprockets  
Bushings & Hubs  
Gears & Racks  
Belt Drives / Couplings  
Linear Motion / WINKEL

# SPB Metric V-Belt Sheaves - Taper Bushed



Models Available

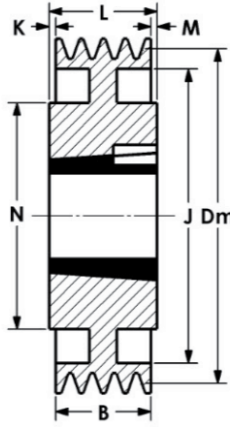


Fig 7

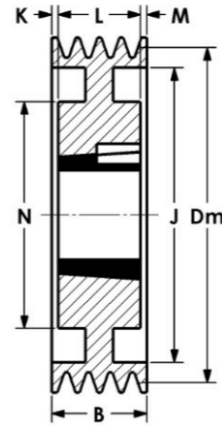


Fig 8

Dimensions in mm

Part No.	Dm	Groove	Bushing	Max Bore	Figure	B	J	K	L	M	N	Wt. kg
SPB710 x 2-3030	710	2	3030	75	7	44	670	16	76	16	145	23.0
SPB710 x 3-3535*		3	3535	90	7	63	670	13	89	13	180	33.2
SPB710 x 4-3535*		4	3535	90	7	82	670	3.5	89	3.5	180	39.1
SPB710 x 5-4040		5	4040	100	7	101	670	0.5	102	0.5	215	50.2
SPB710 x 6-4545		6	4545	110	8	120	670	2.5	115	2.5	242	62.3
SPB710 x 8-4545		8	4545	110	8	158	670	21.5	115	21.5	242	71.0
SPB710 x 10-4545		10	4545	110	8	196	670	40.5	115	40.5	242	80.0
SPB800 x 2-3535*	800	2	3535	90	7	44	760	22.5	89	22.5	180	29.8
SPB800 x 3-3535*		3	3535	90	7	63	760	13	89	13	180	36.7
SPB800 x 4-4040		4	4040	100	7	82	760	10	102	10	215	48.8
SPB800 x 5-4040		5	4040	100	7	101	760	0.5	102	0.5	216	56.1
SPB800 x 6-4545		6	4545	110	8	120	760	2.5	115	2.5	242	71.4
SPB800 x 8-4545		8	4545	110	8	158	760	21.5	115	21.5	242	90.9
SPB800 x 10-4545		10	4545	110	8	196	760	40.5	115	40.5	242	102.0
SPB900 x 3-3535*	900	3	3535	90	7	63	858	13	89	13	180	46.8
SPB900 x 4-4040		4	4040	100	7	82	858	10	102	10	216	60.0
SPB900 x 5-4545		5	4545	110	7	101	858	7	115	7	242	74.8
SPB900 x 6-4545		6	4545	110	8	120	858	2.5	115	2.5	242	81.5
SPB900 x 8-4545		8	4545	110	8	158	858	21.5	115	21.5	242	110.0
SPB900 x 10-5050		10	5050	125	8	196	858	34.5	127	34.5	267	126.0
SPB1000 x 3-4040	1000	3	4040	100	7	63	958	19.5	102	19.5	216	56.5
SPB1000 x 4-4040		4	4040	100	7	82	958	10	102	10	216	66.5
SPB1000 x 5-4545		5	4545	110	7	101	958	7	115	7	242	80.5
SPB1000 x 6-4545		6	4545	110	8	120	958	2.5	115	2.5	242	90.0
SPB1000 x 8-5050		8	5050	125	8	158	958	15.5	127	15.5	267	132.0
SPB1000 x 10-5050		10	5050	125	8	196	958	34.5	127	34.5	267	147.0
SPB1250 x 3-4040	1250	3	4040	100	7	63	1208	19.5	102	19.5	216	120.0
SPB1250 x 4-4545		4	4545	110	7	82	1208	16.5	115	16.5	242	152.0
SPB1250 x 5-4545		5	4545	110	7	101	1208	7	115	7	242	175.0
SPB1250 x 6-5050		6	5050	125	7	120	1208	3.5	127	3.5	267	190.0
SPB1250 x 8-5050		8	5050	125	8	158	1208	15.5	127	15.5	267	232.0

Note: \* Requires bushing with BSW threads.

# SPC Metric V-Belt Sheaves - Taper Bushed



Models Available

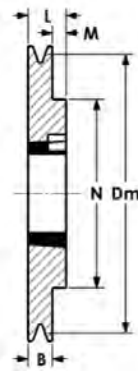


Fig 1

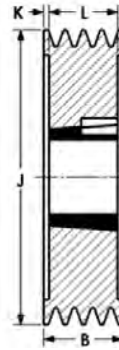


Fig 4

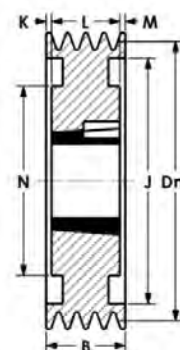


Fig 6

Dimensions in mm

Part No.	Dm	Groove	Bushing	Max Bore	Figure	B	J	K	L	M	N	Wt. kg
SPC200 x 3-2517*	200	3	2517	65	4	85	151	20	45	20	—	9.0
SPC200 x 4-3020		4	3020	75	4	110.5	151	29.8	51	29.8	—	10.5
SPC200 x 5-3535*		5	3535	90	4	136	151	16	89	31	—	14.0
SPC200 x 6-3535*		6	3535	90	4	161.5	151	15.8	89	56.8	—	17.0
SPC200 x 8-3535*		8	3535	90	4	212.5	151	45.8	89	77.8	—	23.0
SPC212 x 3-3020	212	3	3020	75	4	85	163	17	51	17	—	10.0
SPC212 x 4-3020		4	3020	75	4	110.5	163	29.8	51	29.8	—	12.5
SPC212 x 5-3535*		5	3535	90	4	136	163	16	89	31	—	15.0
SPC212 x 6-3535*		6	3535	90	4	161.5	163	36.3	89	36.3	—	18.0
SPC212 x 8-3535*		8	3535	90	4	212.5	163	45.8	89	77.8	—	24.0
SPC224 x 2-3020	224	2	3020	75	4	59.5	170	4.3	51	4.3	—	8.1
SPC224 x 3-3020		3	3020	75	4	85	170	17	51	17	—	11.0
SPC224 x 4-3535*		4	3535	90	4	110.5	170	10.8	89	10.8	—	14.0
SPC224 x 5-3535*		5	3535	90	4	136	170	23.5	89	23.5	—	16.2
SPC224 x 6-3535*		6	3535	90	4	161.5	170	36.3	89	36.3	—	19.0
SPC224 x 8-3535*		8	3535	90	4	212.5	170	45.8	89	77.8	—	24.9
SPC236 x 3-3020	236	3	3020	75	4	85	182	17	51	17	—	12.0
SPC236 x 4-3535*		4	3535	90	4	110.5	182	10.8	89	10.8	—	17.2
SPC236 x 5-3535*		5	3535	90	4	136	182	23.5	89	23.5	—	19.1
SPC236 x 6-3535*		6	3535	90	4	161.5	182	36.3	89	36.3	—	20.8
SPC236 x 8-3535*		8	3535	90	4	212.5	182	45.8	89	77.8	—	25.5
SPC250 x 2-3020	250	2	3020	75	4	59.5	170	4.1	51	4.5	—	9.8
SPC250 x 3-3020		3	3020	75	4	85	200	17	51	17	—	14.5
SPC250 x 4-3535*		4	3535	90	4	110.5	200	10.8	89	10.8	—	20.7
SPC250 x 5-3535*		5	3535	90	4	136	200	23.5	89	23.5	—	22.8
SPC250 x 6-3535*		6	3535	90	4	161.5	200	36.3	89	36.3	—	26.0
SPC250 x 8-3535*		8	3535	90	4	212.5	200	61.8	89	61.8	—	29.7
SPC250 x 10-4040		10	4040	100	4	264	200	81	102	81	—	32.0
SPC265 x 3-3535*	265	3	3535	90	1	85	215	—	89	4	178	21.2
SPC265 x 4-3535*		4	3535	90	6	110.5	215	10.8	89	10.8	178	24.0
SPC265 x 5-3535*		5	3535	90	6	136	215	23.5	89	23.5	178	26.2
SPC265 x 6-3535*		6	3535	90	6	161.5	215	36.3	89	36.3	178	29.0
SPC265 x 8-3535*		8	3535	90	6	212.5	215	61.8	89	61.8	178	33.3

Note: \* Requires bushing with BSW threads.

# SPC Metric V-Belt Sheaves - Taper Bushed



Models Available

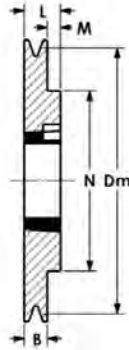


Fig 1

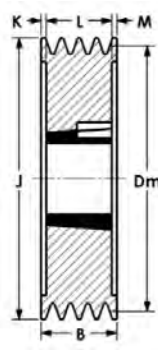


Fig 4

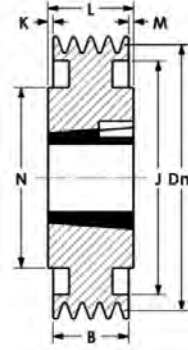


Fig 5

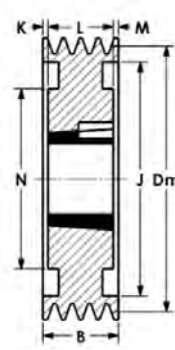


Fig 6

Dimensions in mm

Part No.	Dm	Groove	Bushing	Max Bore	Figure	B	J	K	L	M	N	Wt. kg
SPC280 x 3-3535*	280	3	3535	90	1	85	230	—	89	4	178	24.0
SPC280 x 4-3535*		4	3535	90	6	110.5	230	10.8	89	10.8	178	29.0
SPC280 x 5-3535*		5	3535	90	6	136	230	23.5	89	23.5	178	31.0
SPC280 x 6-3535*		6	3535	90	6	161.5	230	36.3	89	36.3	178	33.8
SPC280 x 8-3535*		8	3535	90	6	212.5	230	61.8	89	61.8	178	37.5
SPC280 x 10-4545		10	4545	100	6	264	230	81	105	81	—	40.0
SPC300 x 3-3535*	300	3	3535	90	5	85	250	2	89	2	178	21.0
SPC300 x 4-3535*		4	3535	90	6	110.5	250	10.8	89	10.8	178	25.0
SPC300 x 5-3535*		5	3535	90	6	136	250	23.5	89	23.5	178	28.5
SPC300 x 6-3535*		6	3535	90	6	161.5	250	36.3	89	36.3	178	29.0
SPC300 x 8-4040		8	4040	100	4	212.5	250	55.3	102	55.3	—	46.5
SPC300 x 10-4545		10	4545	100	6	264	250	75	115	75	—	65.0
SPC315 x 3-3535*	315	3	3535	90	5	85	265	2	89	2	178	21.6
SPC315 x 4-3535*		4	3535	90	6	110.5	265	10.8	89	10.8	178	24.6
SPC315 x 5-3535*		5	3535	90	6	136	265	23.5	89	23.5	178	29.0
SPC315 x 6-3535*		6	3535	90	6	161.5	265	36.3	89	36.3	178	31.4
SPC315 x 8-4040		8	4040	100	4	212.5	265	55.3	102	55.3	200	50.0
SPC315 x 10-4545		10	4545	100	6	264	265	75	115	75	—	78.0
SPC335 x 3-3535*	335	3	3535	90	5	85	282	2	89	2	178	22.5
SPC335 x 4-3535*		4	3535	90	6	110.5	282	10.8	89	10.8	178	26.5
SPC335 x 5-3535*		5	3535	90	6	136	282	23.5	89	23.5	178	30.0
SPC335 x 6-3535*		6	3535	90	6	161.5	282	36.3	89	36.3	178	35.0
SPC335 x 8-4040		8	4040	100	6	212.5	282	55.3	102	55.3	200	58.0
SPC335 x 10-4545		10	4545	100	6	264	282	75	115	75	—	85.0
SPC355 x 3-3535*	355	3	3535	90	5	85	305	2	89	2	178	22.9
SPC355 x 4-3535*		4	3535	90	6	110.5	305	10.8	89	10.8	178	28.3
SPC355 x 5-3535*		5	3535	90	6	136	305	23.5	89	23.5	178	32.5
SPC355 x 6-3535*		6	3535	90	6	161.5	305	36.3	89	36.3	178	36.0
SPC355 x 8-4040		8	4040	100	6	212.5	305	55.3	102	55.3	200	67.5
SPC355 x 10-4545		10	4545	100	6	264	305	75	115	75	—	88.0
SPC375 x 3-3535*	375	3	3535	90	5	85	322	2	89	2	178	23.8
SPC375 x 4-3535*		4	3535	90	6	110.5	322	10.8	89	10.8	178	30.0
SPC375 x 5-3535*		5	3535	90	6	136	322	23.5	89	23.5	178	33.0
SPC375 x 6-4040		6	4040	100	6	161.5	322	29.8	102	29.8	216	45.5
SPC375 x 8-4545		8	4545	110	6	212.5	322	48.8	115	48.8	225	68.0
SPC375 x 10-5050		10	5050	100	6	264	322	75	115	75	—	92.0

Note: \* Requires bushing with BSW threads.

# SPC Metric V-Belt Sheaves - Taper Bushed



Models Available

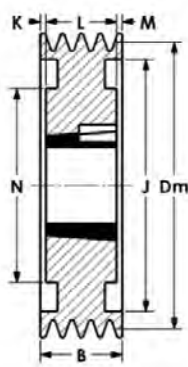


Fig 6

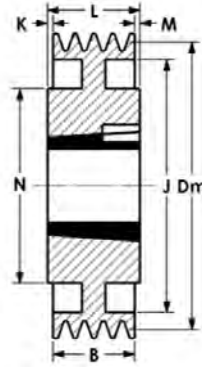


Fig 7

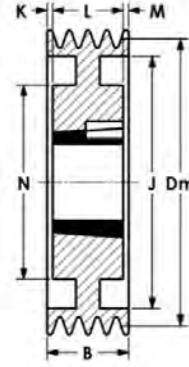


Fig 8

Dimensions in mm

Part No.	Dm	Groove	Bushing	Max Bore	Figure	B	J	K	L	M	N	Wt. kg
SPC400 x 3-3535*	400	3	3535	90	7	85	350	2	89	2	178	24.1
SPC400 x 4-3535*		4	3535	90	8	110.5	350	10.8	89	10.8	178	28.0
SPC400 x 5-3535*		5	3535	90	8	136	350	23.5	89	23.5	178	34.0
SPC400 x 6-4040		6	4040	100	6	161.5	350	29.8	102	29.8	216	48.0
SPC400 x 8-4545		8	4545	110	6	212.5	350	48.8	115	48.8	240	65.0
SPC425 x 3-3535*	425	3	3535	90	7	85	372	2	89	2	178	26.0
SPC425 x 4-3535*		4	3535	90	8	110.5	372	10.8	89	10.8	178	31.0
SPC425 x 5-4040		5	4040	100	6	136	372	17	102	17	216	45.0
SPC425 x 6-4545		6	4545	110	6	161.5	372	23.3	115	23.3	242	58.0
SPC425 x 8-4545		8	4545	110	6	212.5	372	42.8	127	42.8	265	74.0
SPC425 x 10-5050	10	5050	110	6	264	372	68.5	127	68.5	265	105.0	
SPC450 x 3-3535*	450	3	3535	90	7	85	400	2	89	2	178	28.6
SPC450 x 4-3535*		4	3535	90	8	110.5	400	10.8	89	10.8	178	33.5
SPC450 x 5-4040		5	4040	100	8	136	400	17	102	17	216	45.0
SPC450 x 6-4545		6	4545	110	6	161.5	400	23.3	115	23.3	242	61.1
SPC450 x 8-5050		8	5050	125	6	212.5	400	42.8	127	42.8	265	78.7
SPC450 x 10-5050	10	5050	125	6	264	400	68.5	127	68.5	265	109.0	
SPC475 x 3-3535*	475	3	3535	90	7	85	422	2	89	2	178	40.0
SPC475 x 4-3535*		4	3535	90	8	110.5	422	10.8	89	10.8	178	47.0
SPC475 x 5-4040		5	4040	100	8	136	422	17	102	17	216	47.2
SPC475 x 6-4545		6	4545	110	6	161.5	422	23.3	115	23.3	242	62.8
SPC475 x 8-5050		8	5050	125	6	212.5	422	42.8	127	42.8	265	81.5
SPC475 x 10-5050	10	5050	125	6	264	422	68.5	127	68.5	265	125.0	
SPC500 x 3-3535*	500	3	3535	90	7	85	450	2	89	2	178	30.9
SPC500 x 4-3535*		4	3535	90	8	110.5	450	10.8	89	10.8	178	39.0
SPC500 x 5-4040		5	4040	100	8	136	450	17	102	17	216	48.7
SPC500 x 6-4545		6	4545	110	8	161.5	450	23.3	115	23.3	242	60.2
SPC500 x 8-5050		8	5050	125	6	212.5	450	42.8	127	42.8	265	87.4
SPC500 x 10-5050	10	5050	125	6	264	450	68.5	127	68.5	265	132.0	
SPC530 x 3-3535*	530	3	3535	90	7	85	480	2	89	2	178	35.0
SPC530 x 4-4040		4	4040	100	8	110.5	480	4.3	102	4.3	216	40.0
SPC530 x 5-4545		5	4545	110	8	136	480	11	115	11	242	60.0
SPC530 x 6-5050		6	5050	125	8	161.5	480	17.3	127	17.3	265	73.0
SPC530 x 8-5050		8	5050	125	6	212.5	480	42.8	127	42.8	265	94.0
SPC530 x 10-5050	10	5050	125	6	264	480	68.5	127	68.5	265	145.0	
SPC560 x 3-3535*	560	3	3535	90	7	85	510	2	89	2	178	36.0
SPC560 x 4-4040		4	4040	100	8	110.5	510	4.3	102	4.3	216	50.0
SPC560 x 5-4545		5	4545	110	8	136	510	11	115	11	242	63.0
SPC560 x 6-5050		6	5050	125	8	161.5	510	17.3	127	17.3	265	77.0
SPC560 x 8-5050		8	5050	125	8	212.5	510	42.8	127	42.8	265	94.0
SPC560 x 10-5050	10	5050	125	6	264	510	68.5	127	68.5	265	150.0	

Note: \* Requires bushing with BSW threads.

# SPC Metric V-Belt Sheaves - Taper Bushed



Models Available

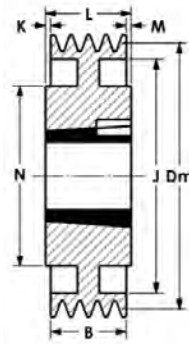


Fig 7

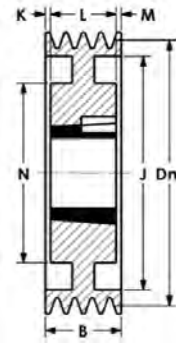


Fig 8

Dimensions in mm

Part No.	Dm	Groove	Bushing	Max Bore	Figure	B	J	K	L	M	N	Wt. kg
SPC630 x 3-4040	630	3	4040	100	7	85	580	8.5	102	8.5	216	48.5
SPC630 x 4-4545		4	4545	110	7	110.5	580	2.2	115	2.2	242	61.0
SPC630 x 5-5050		5	5050	125	8	136	580	4.5	127	4.5	267	77.0
SPC630 x 6-5050		6	5050	125	8	161.5	580	17.3	127	17.3	267	86.0
SPC630 x 8-5050		8	5050	125	8	212.5	580	42.8	127	42.8	265	105.5
SPC630 x 10-5050		10	5050	125	8	264	580	68.5	127	68.5	267	170.0
SPC710 x 3-4040	710	3	4040	100	7	85	667	8.5	102	8.5	216	57.0
SPC710 x 4-4545		4	4545	110	7	110.5	667	2.2	115	2.2	242	70.0
SPC710 x 5-5050		5	5050	125	8	136	667	4.5	127	4.5	267	80.0
SPC710 x 6-5050		6	5050	125	8	161.5	667	17.3	127	17.3	267	10.0
SPC710 x 8-5050		8	5050	125	8	212.5	667	42.8	127	42.8	265	13.0
SPC710 x 10-5050		10	5050	125	8	264	667	68.5	127	68.5	267	180.0
SPC800 x 3-4545	800	3	4545	110	7	85	737	15	115	15	242	65.0
SPC800 x 4-5050		4	5050	125	7	110.5	737	8.2	127	8.2	267	76.0
SPC800 x 5-5050		5	5050	125	8	136	737	4.5	127	4.5	267	97.0
SPC800 x 6-5050		6	5050	125	8	161.5	737	17.3	127	17.3	267	127.0
SPC800 x 8-5050		8	5050	125	8	212.5	737	42.8	127	42.8	267	145.0
SPC800 x 10-5050		10	5050	125	8	264	737	68.5	127	68.5	267	192.0
SPC900 x 3-4545	900	3	4545	110	7	85	847	15	115	15	242	85.0
SPC900 x 4-5050		4	5050	125	7	110.5	847	8.2	127	8.2	267	100.0
SPC900 x 5-5050		5	5050	125	8	136	847	4.5	127	4.5	267	120.0
SPC900 x 6-5050		6	5050	125	8	161.5	847	17.3	127	17.3	267	140.0
SPC900 x 8-5050		8	5050	125	8	212.5	847	42.8	127	42.8	267	160.0
SPC1000 x 3-5050	1000	3	5050	125	7	85	937	21	127	21	267	115.0
SPC1000 x 4-5050		4	5050	125	7	110.5	937	8.2	127	8.2	267	125.0
SPC1000 x 5-5050		5	5050	125	8	136	937	4.5	127	4.5	267	140.0
SPC1000 x 6-5050		6	5050	125	8	161.5	937	17.3	127	17.3	267	160.0
SPC1000 x 8-5050		8	5050	125	8	212.5	937	42.8	127	42.8	267	180.0
SPC1250 x 3-5050	1250	3	5050	125	7	85	1187	21	127	21	267	170.0
SPC1250 x 4-5050		4	5050	125	7	110.5	1187	8.2	127	8.2	267	210.0
SPC1250 x 5-5050		5	5050	125	8	136	1187	4.5	127	4.5	267	220.0
SPC1250 x 6-5050		6	5050	125	8	161.5	1187	17.3	127	17.3	267	236.0
SPC1250 x 8-5050		8	5050	125	8	212.5	1187	42.8	127	42.8	267	253.0

# Metric Variable Pitch Pulley



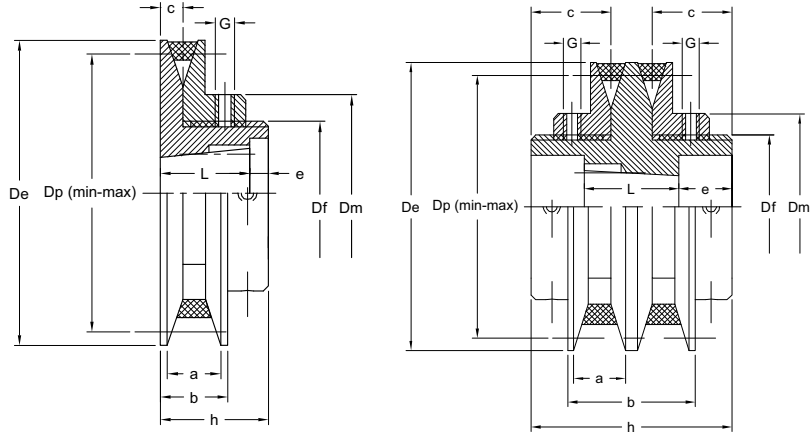
**Adjustable Pitch**  
**Allows for Speed Adjustment**  
**Taper Bushing Mount**  
**Cast Iron**



**Part No. PVA108 X 1-1210**

- PV = Pulley Variable Pitch
- A, Z, B = Belt Sections
- X 1 or X 2 = Number of Grooves
- 1210 = TL Bushing Size

**Models Available**



Adjustment to the pitch diameter is made by 1/4 turn of the nut and then tightening set screws on flats.

Dimensions in mm

Part No.	Belt	Bushing	Max Bore	De	Dm	Df	Dp min	Dp max	a min	a max	b min	b max	c	e	G	h	L	kg
PVZ84 x 1-1108*	Z	1108	28	84	65	50	62	80	10	14.5	15	19.5	7.5	-	6	28	28.0	0.50
PVZ95 x 1-1108	Z	1108	28	95	75	60	73	91	10	14.5	16	20.5	8.0	8.0	6	30	22.0	0.78
PVZ100 x 1-1108	Z	1108	28	100	75	60	78	96	10	14.5	16	20.5	8.0	8.0	6	30	22.0	0.85
PVZ108 x 1-1210*	Z	1210	30	108	90	72	90	104	10	14.5	16	20.5	8.0	10.0	8	35	25.0	1.13
PVA108 x 1-1210	A	1210	30	108	80	62	76	102	13	19.5	19	26.5	9.5	12.0	8	39	27.0	1.12
PVA120 x 1-1210	A	1210	30	120	91	72	88	114	13	19.5	20	26.5	10.0	10.0	8	36	26.0	1.42
PVA129 x 1-1210	A	1210	30	129	91	72	97	123	13	19.5	20	26.5	10.0	10.2	8	36	26.0	1.67
PVA139 x 1-1610	A	1610	40	139	103	85	109	133	13	18.9	20	25.9	10.0	11.0	8	37	26.0	1.96
PVA146 x 1-1610	A	1610	40	146	103	85	116	140	13	18.9	20	25.9	10.0	11.0	8	37	26.0	2.17
PVA156 x 1-1610	A	1610	40	156	103	85	126	150	13	18.9	20	25.9	10.0	11.0	8	37	26.0	2.43
PVA164 x 1-1610	A	1610	40	164	103	85	134	158	13	18.9	20	25.9	10.0	8.0	8	37	29.0	2.76
PVA177 x 1-2012	A	2012	50	177	135	110	149	171	13	18.2	20	25.2	10.0	8.0	8	40	32.0	3.76
PVA187 x 1-2012	A	2012	50	187	135	110	159	181	13	18.2	20	25.2	10.0	8.0	8	40	32.0	4.14
PVA120 x 2-1215	A	1215	30	120	91	72	88	114	13	19.5	34	47.1	26.0	12.0	8	66	40.5	2.46
PVA129 x 2-1215	A	1215	30	129	91	72	97	123	13	19.5	34	47.1	26.0	12.0	8	66	40.0	2.83
PVA139 x 2-1615	A	1615	40	139	103	85	109	133	13	18.9	35	46.8	26.0	14.5	8	69	38.5	3.37
PVA146 x 2-1615	A	1615	40	146	103	85	116	140	13	18.9	35	46.8	27.0	14.5	8	69	38.5	3.77
PVA156 x 2-1615	A	1615	40	156	103	85	126	150	13	18.9	35	46.8	27.0	14.5	8	69	38.5	4.25
PVA164 x 2-1615	A	1615	40	164	103	85	134	158	13	18.9	35	46.8	27.0	15.5	8	69	37.5	4.74
PVA177 x 2-2012	A	2012	50	177	135	110	149	171	13	18.2	35	45.5	27.5	24.0	8	90	37.0	6.80
PVA187 x 2-2012	A	2012	50	187	135	110	159	181	13	18.2	35	45.5	27.5	24.0	8	90	37.0	7.50
PVB178 x 1-2012	B	2012	50	178	135	110	139	171	16	21.5	23	28.5	10.0	8.0	8	40	32.0	3.73
PVB187 x 1-2012	B	2012	50	187	135	110	148	180	16	21.5	23	28.5	10.0	8.0	8	40	32.0	4.70
PVB178 x 2-2012	B	2012	50	178	135	110	139	171	16	22.5	42	54.5	37.5	24.0	8	90	37.0	6.75
PVB187 x 2-2012	B	2012	50	187	135	110	148	180	16	22.5	42	54.5	37.5	24.0	8	90	37.0	7.35

Note: \*Bushing mounts on opposite side from drawing.

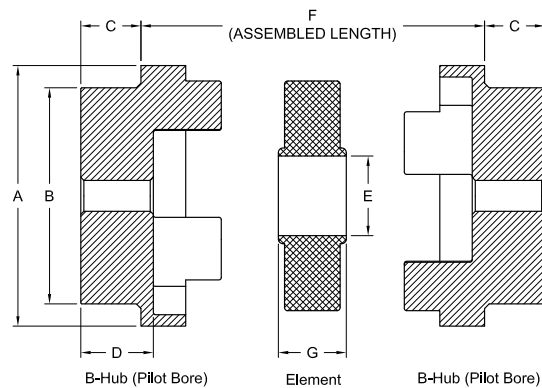
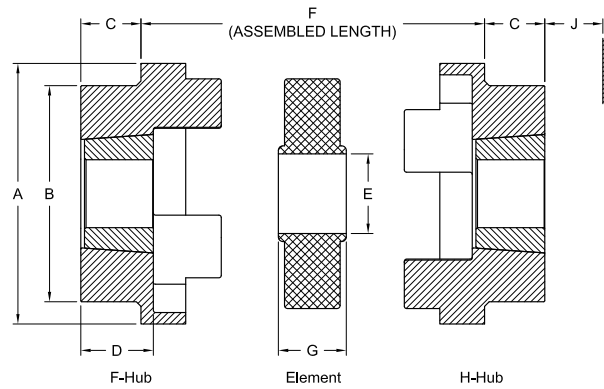
# Flexible Shaft Couplings

## HRC Series Jaw Type

Taper Bushed and Bored to Size  
Metric and Inch Bores



Ordering Note:  
Specify 2 hubs (F or H Style), a rubber element and 2 bushings (inch or metric).  
Bored to size requires no bushings.



F - Hubs allow the TL Bushing to be installed from the shaft-end.  
H - Hubs allow the TL Bushing to be installed from the hub side.

### Taper Bushed

Coupling Size	Element Part No.	F-Hub Part No.	H-Hub Part No.	Bush Size	Max Bore (in)	Max Bore (mm)	Dimensions (mm)								Wt.** kg
							A	B	C	D	E	F	G	J◆	
7	HRC7E	HRC7F	HRC7H	1008	1	25	69	60	20.0	23.5	31	25.0	18	29	1.0
9	HRC9E	HRC9F	HRC9H	1108	1-1/8	28	85	70	19.5	23.5	32	30.5	23	29	1.2
11	HRC11E	HRC11F	HRC11H	1610	1-5/8	42	112	100	18.5	26.5	45	45.0	29	38	4.5
13	HRC13E	HRC13F	HRC13H	1610	1-5/8	42	130	105	18.0	26.5	50	54.0	36	38	5.0
15	HRC15E	HRC15F	HRC15H	2012	2	50	150	115	23.5	33.5	62	61.0	40	42	7.0
18	HRC18E	HRC18F*	HRC18H*	2517	2-1/2	60	180	125	34.5	46.5	77	74.0	49	48	16.5
23	HRC23E	HRC23F	HRC23H	3020	3	75	225	155	39.5	52.5	99	85.5	60	55	25.0
28	HRC28E	HRC28F	HRC28H	3525	3-1/2	100	275	206	51.0	66.5	119	105.5	75	67	48.0

Note: See chart to follow for stock metric and inch shaft sizes. \* Hubs require 2517 Bushing with BSW Threads

\*\* Complete coupling weight. ◆Wrench clearance for tightening set screws.

### Bored to Size

Coupling Size	Element Part No.	Hub Part No.	Pilot Bore mm	Max Bore (in)	Max Bore (mm)	Dimensions (mm)								Wt.** kg
						A	B	C	D	E	F	G		
7	HRC7E	HRC7B	9	1-1/4	32	69	60	20.0	23.5	31	25	18	1.1	
9	HRC9E	HRC9B	9	1-3/4	42	85	70	26.0	30.0	32	31	23	1.4	
11	HRC11E	HRC11B	14	2-1/8	55	112	100	37.0	45.0	45	45	29	7.1	
13	HRC13E	HRC13B	14	2-1/2	60	130	105	47.0	55.5	50	53	36	7.9	
15	HRC15E	HRC15B	14	2-3/4	70	150	115	50.0	60.0	62	60	40	10.1	
18	HRC18E	HRC18B	16	3-1/8	80	180	125	58.0	70.0	77	73	49	23.7	
23	HRC23E	HRC23B	25	4	100	225	155	77.0	90.0	99	86	60	37.5	
28	HRC28E	HRC28B	35	5	130	275	206	90	106	119	106	75	71.7	

Note: \*\* Complete coupling weight.



# Flexible Shaft Couplings



## HRC Series Jaw Type

### Technical Data

Coupling Size	Torque Nom (Nm)	Torque Max (Nm)	Max RPM	Misalignment (mm)			Inertia - (kgm <sup>2</sup> )		Weight-(kg)	
				Axial	Parallel	Angular	Bored	Bushed	Bored	Bushed
7	33	73	7700	0.2	0.3	0.5	0.00085	0.00078	1.1	1.0
9	84	185	6300	0.5	0.3	0.5	0.00115	0.00108	1.4	1.2
11	168	370	5000	0.6	0.3	1.0	0.00400	0.00344	7.1	4.5
13	331	728	4100	0.8	0.4	1.0	0.00780	0.00850	7.9	5.0
15	630	1490	3600	0.9	0.4	1.5	0.01810	0.02112	10.1	7.0
18	998	2300	3000	1.1	0.4	1.5	0.04340	0.04820	23.7	16.5
23	2100	4800	2600	1.3	0.5	2.0	0.12068	0.14052	37.5	25.0
28	3308	7000	2200	1.7	0.5	2.5	0.44653	0.54790	71.7	48.0

Note: Elements are oil resistant, partially resistant to chemicals. Temp Range: -40F to 185F

### Selection:

- Service Factor:** Determine an appropriate Service Factor from the guidelines below.
- Design Power:** Multiply the power required of driven machinery by the Service Factor.
- Coupling Size:** Refer to the Power Rating table below and read across from the appropriate speed until a power equal to or greater than is found. The size of the coupling is noted in the column header.
- Bore Size:** Refer to the Tables to determine if a Taper Bushed version is possible, or if Bored to Size is needed. Taper Bushed versions are recommended due to the balances tight fit they provide. Easy installation and removal are both key features.

**Example: A Shaft Coupling is required to transmit 70kW between a 1200 rev/min diesel engine and a hoist running over 16hrs/day. Engine shaft is 70mm and the hoist shaft is 75mm.**

- Solution:**
- The appropriate Service Factor is 2.5 from the table below.
  - The Design Power is  $70 \times 2.5 = 175\text{kW}$
  - Coupling Size is determined by reading across from the 1200 rev/min in the speed column of the Power Ratings Table below. 251kW is the first rating to exceed the required 175kW design power. The size of the coupling at the column head is 23.
  - Bore size can be checked to see if it is possible from the dimension tables

Service Factors	Hours Per Day					
	Electric Motors			Engines		
	8	8-16	16+	8	8-16	16+
<b>Uniform</b> Agitators, Brewing Machinery, Centrifugal Blowers and Compressors, Conveyors Centrifugal Fans and Pumps, Generators, Sewage Disposal Equipment	1	1.1	1.2	1.2	1.4	1.6
<b>Moderate Shock</b> Clay Working Machinery, Crane Hoists, Laundry Machinery, Wood Working Machinery, Machine Tools, Rotary Mills, Paper Mill Machinery, Textile Machinery	1.6	1.8	2	2	2.2	2.5
<b>Heavy Shock</b> Reciprocating Conveyors and Compressors, Crushers, Shakers, Metal Mills, Rubber Machinery	2.5	2.8	3.1	3.1	3.5	4

Power Factors: 1 kW = 1.34HP

### Power Ratings:

Speed Rev/Min	Coupling								
	7	9	11	13	15	18	23	28	
100	0.33	0.84	1.68	3.3	6.28	9.95	20.9	33.0	
200	0.66	1.68	3.36	6.6	12.6	19.9	41.8	66.0	
400	1.32	3.36	6.72	13.2	25.1	39.8	83.6	132.0	
600	1.98	5.04	10.1	19.8	37.7	59.7	125.4	198.0	
720	2.38	6.05	12.1	23.8	45.2	71.6	150.5	237.6	
800	2.64	6.72	13.4	26.4	50.2	79.6	167.2	264.0	
960	3.17	8.06	16.1	31.7	60.3	95.5	200.6	316.8	
1200	3.96	10.1	20.2	39.6	75.4	119.4	250.8	396.0	
1440	4.75	12.1	24.2	47.5	90.4	143.3	301.0	475.2	
1600	5.28	13.4	26.9	52.8	100.5	159.2	334.4	528.0	
1800	5.94	15.1	30.2	59.4	113.0	179.1	376.2	594.0	
2000	6.60	16.8	33.6	66.0	125.6	199.0	418.0	660.0	
2200	7.26	18.5	37.0	72.6	138.2	218.9	459.8	726.0	
2400	7.92	20.2	40.3	79.2	150.7	238.8	501.6	—	
2600	8.58	21.8	43.7	85.8	163.3	258.7	543.4	—	
2880	9.50	24.2	48.4	95.0	180.9	286.6	—	—	
3000	9.90	25.2	50.4	99.0	188.4	298.5	—	—	
3600	11.9	30.2	60.5	118.8	226.1	—	—	—	

# Flexible Shaft Couplings



## HRC Series Jaw Type

### Stock Taper Bushings/Shaft Sizes for F and H Coupling Hubs

#### Inch Shaft Sizes

Coupling Size		7	9	11, 13	15	18	23, 28
Bushing Size		1008	1108	1610	2012	2517	3020
Shaft Dia. (in)							
1/2	0.5000	X	X				
9/16	0.5625	X	X	X			
5/8	0.6250	X	X	X			
11/16	0.6875	X	X	X			
3/4	0.7500	X	X	X	X		
7/8	0.8750	X	X	X	X		
15/16	0.9375	(X)	X	X	X		
1	1.0000	(X)	X	X	X		
1-1/8	1.1250		(X)	X	X		
1-3/16	1.1875			X	X		
1-1/4	1.2500			X	X		
1-3/8	1.3750			X	X	X	X
1-7/16	1.4375			X	X	X	X
1-1/2	1.5000			X	X	X	X
1-5/8	1.6250			(X)	X	X	X
1-3/4	1.7500				X	X	X
1-7/8	1.8750				X	X	X
1-15/16	1.9375				(X)	X	X
2	2.0000				(X)	X	X
2-1/8	2.1250					X	X
2-3/16	2.1875					X	X
2-1/4	2.2500					X	X
2-3/8	2.3750					X	X
2-7/16	2.4375					X	X
2-1/2	2.5000					X	X
2-5/8	2.6250						X
2-3/4	2.7500						X
2-7/8	2.8750						X
2-15/16	2.9375						X
3	3.0000						X

#### Metric Shaft Sizes

Coupling Size		7	9	11, 13	15	18	23, 28
Bushing Size		1008	1108	1610	2012	2517	3020
Shaft Dia. (mm)							
11		X	X				
12		X	X	X			
14		X	X	X			
15		X	X	X	X		
16		X	X	X	X		
18		X	X	X	X	X	
19		X	X	X	X	X	
20		X	X	X	X	X	
22		X	X	X	X	X	
24		(X)	X	X	X	X	
25		(X)	X	X	X	X	X
28			(X)	X	X	X	X
30				X	X	X	X
32				X	X	X	X
35				X	X	X	X
38				X	X	X	X
40				X	X	X	X
42				(X)	X	X	X
45					X	X	X
48					X	X	X
50					X	X	X
55						X	X
60						X	X
65						X	X
70							X
75							X

Note: (X) denotes shallow key required.

Specify Bushing as follows: 2517-1-3/4 or 2517-35mm.

# Linear Ball Bearings, Shafting & Supports



## Products

 <p><b>Closed Linear Ball Bearing Bushing</b> Metric &amp; Inch Sizes</p>	 <p><b>Closed Pillow Blocks</b> Metric &amp; Inch Sizes</p>	 <p><b>Open Linear Ball Bearing Bushing</b> Metric &amp; Inch Sizes</p>
 <p><b>Standard &amp; Stainless Steel Shafting</b> Metric &amp; Inch Sizes</p>	 <p><b>Linear Shaft Supports</b> Metric &amp; Inch Sizes</p>	 <p><b>Open Pillow Blocks</b> Metric &amp; Inch Sizes</p>
 <p><b>End Supports for Shafting</b> Metric &amp; Inch Sizes</p>	 <p><b>Assembly of Shafting &amp; Linear Supports</b></p>	 <p><b>Application Support</b></p>

Introduction

Mounted Ball Bearings

SRE / SR2 Spherical Bearings

SAF / Plummer Blocks

Brq. Accessories, Radial Ball, & EICH Bearings

Rod Ends & Spherical Plain Bearings

Roller Chain & Sprockets

Bushings & Hubs

Gears & Racks

Belt Drives / Couplings

Linear Motion / WINKEL

# Linear Ball Bearings, Shafting & Supports



## Overview

### Linear Ball Bearings, Shafting & Supports

New high performance linear ball bearings, shafting and shaft supports are now available from PTI. Available in Inch and Metric sizes with open and closed configurations that are fully industry standard and interchangeable. Available accessories include Pillow Blocks, Shafting and Shaft Support products to make using and interchanging quick and easy!

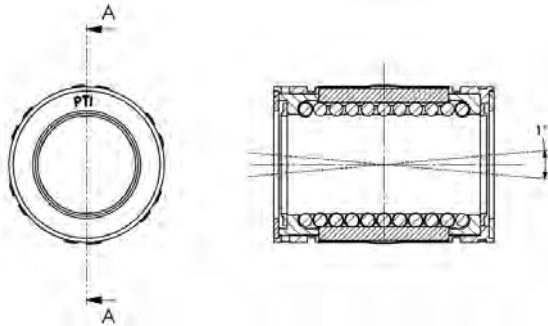
### Enhanced Cage Design Yields Long Life & Quiet Motion

The floating bearing plate/polymer cage design offers 3 times the load capacity or in excess of 27 times more travel life of conventional linear ball bearings. With a coefficient of friction less than .001, and a steady state speed in excess of 5m/second, they allow for reduced power consumption, compact size and lower costs. PTI Linear Bearing round rail linear bearing products are the high speed, cost effective, accurate and easier to install alternative to square/profile rail products. The PTI Advantage: Long Life, Smooth and Quiet Linear Motion!

### Precision Ground Raceways lead the Way

PTI grinds the heat treated bearing steel alloy bearing tracks, the way "precision bearings" are meant to be manufactured. This provides smooth linear motion and higher performance. The leading competitive bearing manufacturer coin stamps and then heat treats their bearing plates. This creates warped and distorted ball tracks resulting in the balls not being evenly loaded for less load/life and rougher operation.

PTI's precision ground bearing plates float in the outer retainer, allowing for easy adjustment of clearance between the bearing inner and outer race by controlling the bearing bore. This provides enhanced precision and assures even loading on all the load carrying balls for longer life.

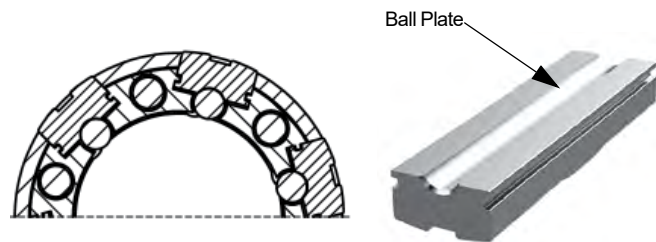


Self Aligning Feature

### Seals, Shafts & Supports

PTI's Integral floating seals keep lubrication in and dirt out of linear bearing. PTI industry standard anodized aluminum pillow block bearings come with lubrication ports,

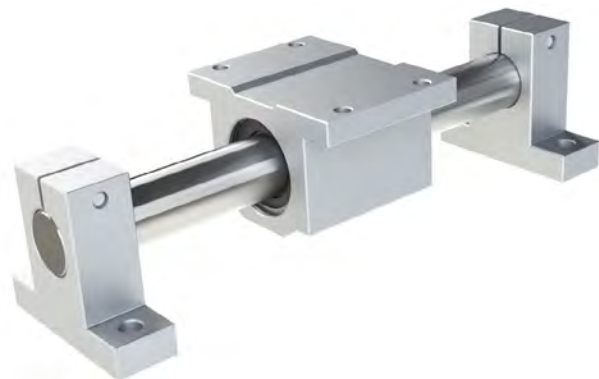
PTI Linear Shafting/Race is induction heat treated and precision ground to optimize Linear Ball Bearing loads and life. Available in induction case hardened high carbon steel or 400 series Stainless Steel they can be quickly customized for your application. Hard chrome or other platings are available.



Linear Raceway Tracks are Precision Ground

### Precision Molded Polymer Cage for Precise Linear Control

PTI employs a precision molded engineered polymer bearing cage that provides precise ball guidance, long life, integral lubrication, light weight, high speeds and super quiet operation. PTI's precision formed and ground bearing plate provides a 1/2 degree of built in self alignment by means of a unique convex shape of the housing side of the bearing plate, allowing the plate to rock and loosing accuracy. Self alignment compensates for inaccurate bearing bores or uneven bearing pillow block mounting surfaces providing maximum load and life.



## Size Selection, Load Ratings and Service life

When selecting a bearing for a linear motion system, the load rating and desired life will need to be considered. Load ratings for each unit is listed with the product. Each system should consider what added service factor (or safety factor) should be applied to the formulas to best represent they type and frequency of the load. For instance sys-

tems that will experience heavy shock loads, would require a higher service factor that a gently operating systems where smaller units may operate effectively. Guidelines to determine this service factor will be reviewed and an example of selection will follow.

### Basic Static (Co) and Basic Dynamic (C) Load Rating

All bearings have 2 ratings. The Basic Static Load Rating or **Co**, is the bearings static load limit. Exceeding this load will damage the bearing and severely shorten life of the bearing. The Basic Dynamic Load Rating **C** is used to calculate travel life. For Bearings that rotate, this measure is in revolutions or hours at a known speed. For Linear Systems, the measure is travel length for the bearings before failure or wear out occurs. These ratings are listed in the product tables for each product.

In a linear motion system, if a bearing receives an excessive load or an impact load above its rating, a permanent deformation may result on the raceway, rolling elements or on the shaft. This deformation can occur regardless whether the bearings is at rest or in motion. The Basic Static load rating refers to a load which causes a permanent deformation of rolling elements and/or raceway of 0.0001 of the rolling element diameter

### Normal Life L

The Service life of a linear motion system is a guideline represented in the following Life Formula. This calculation, similar to that for Ball Bearings in general, is the total running distance that 90% of identical linear systems can achieve this calculated life expectancy without

major shaft or bearing damage. The basic formula is shown below. Each calculation must include consideration for Service Factors involving load type, shaft hardness, operating temperature and contact factors

#### Basic Life Formula:

$$L = \left(\frac{C}{P}\right)^3 \times 50$$

$$L_{100} = \left(\frac{C_{100}}{P}\right)^3 \times 100$$

$$C_{100} = \left(\frac{C}{1.26}\right)$$

#### Where

- L : Nominal life of 50km
- L<sub>100</sub> : Nominal life of 100km
- C : Basic dynamic load rating of 50km
- C<sub>100</sub> : Basic dynamic load rating of 100km
- P : Applied load

#### Basic Life Formula with Service Factors

$$L = \left(\frac{f_H \times f_T \times f_C}{f_W} \times \frac{C}{P}\right)^3 \times 50$$

$$L_{100} = \left(\frac{f_H \times f_T \times f_C}{f_W} \times \frac{C_{100}}{P}\right)^3 \times 100$$

### Safety Factors ( fs, fw, fH, fT, fC )

**Where:** **fs** = Static Safety Factor, while equipment is at rest.  
**fw** = Load Factor, while equipment is running.  
**fH** = Hardness Factor of shafting

**fT** = Temperature Factor of environment  
**fC** = Contact Factor

**Note: These factors must be included for proper life calculation.**

**Static Safety Factor (fs)** is a service factor applied to the basic static load rating to safeguard the bearings from an overload while it is in a stationary (static) position. The Simple Chart below is a guide of the various conditions.

#### Normal Industrial Equipment

Smooth operating, no vibration or impact **fs** = 1.0 to 1.3  
 Minor periodic light vibration or impact **fs** = 2.0  
 Moderate vibration or impact **fs** = 3.0

#### Machine Tools

No vibration or impact **fs** = 1.0 to 1.5  
 Moderate vibration or impact **fs** = 2.5 to 7

**Load Factor fw** is the typical application related factor based on impact or vibration. Use the following **Chart 2** as a Load Servicer factor guide

#### Operating Conditions

**Chart 1**

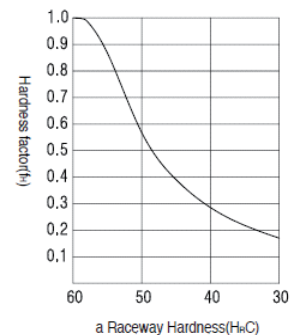
Load Type	Speed	Load Factor fw
No vibration or impact	Below 15 m/min	1.0 to 1.5
Slight vibration or impact	Below 60m/min	1.5 to 2.0
Heavy vibration or impact	Above 60m/min	2.0 to 4.0

#### Hardness Safety Factor

**(fH)** is a service factor applied to the basic static load rating as a hardness factor and one that affect product life. The softer the shaft, the lower the resulting rating. For optimum life, the shaft should be 58 to 64 HRC.

**Chart 2 Hardness Factor (fH)** is a de-rate factor when a bearing is used on a softer than recommended shaft. The chart below will provide a guide for various Raceway (shaft) hardness. Shaft hardness of 58 to 64 HRC is recommended. A softer shaft or raceway will result in shorter bearing life.

**Chart 2**  
Hardness Factor

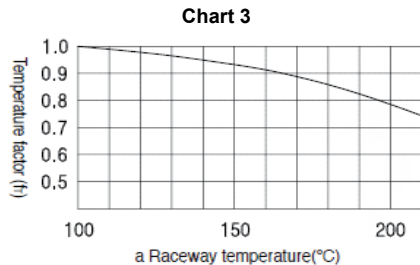


# Selection Engineering (Con't)



## Temperature Factor $f_T$

For Linear Bearings used above 100°C. Use Chart 3. For Ambient temps above 80°C, Seals, retainers, end plates must be changed to operated in higher temps. Use the derating chart 4 as a guide. Normal operating Temperature for Linear bearings is 20°C to 80°C.



## Contact Factor $f_C$

Is used when there are multiple linear bushings on one shaft, which makes it a difficult to achieve uniform load distribution. Therefore use the  $f_C$  factor in chart 4 as a factor as a multiplier on the Basic Static or Dynamic Load rating for multiple units on a single shaft

**Chart 4: Contact factor**

Number of Linear Bearings on Shaft	Contact Factor $f_C$
2	0.81
3	0.72
4	0.66
5	0.61
6	0.60
1 (Normal Use)	1.0

## Selection Example

The Load and travel life are the most important factors in determining a linear bearing size. Use the following parameters to select a unit

Applied Load:  $P = 250$  N (Newtons) = 57 lbs  
 Number of strokes per minute:  $N = 60$ /min  
 Operating speed: 30 meters per minute  
 Stroke:  $L = 250$ mm  
 Shaft Hardness: 60HRC  $f_H = 1.0$   
 Slight Impact or Vibration: Choose  $f_W = 1.6$  Factor  
 Other Service Factors: Choose  $f_C$  and  $f_T$  as 1.0 Factor  
 Travel Life Desired: 15,000 Hours

$$\text{Operating Speed } V = 2 \times L \times N \\ = 2 \times 250 \times 60 = 30,000 \text{mm/min (} f_W = 1.6 \text{)}$$

Choose a unit size to determine travel life. Arbitrarily select **SUE-20MM-UU** with a C (Dynamic Rating) of 2580N, Use this rating in the formula for travel life shown below.

## Calculation of Travel Life

$$L = \left( \frac{f_H \times f_T \times f_C}{f_W} \times \frac{C}{P} \right)^3 \times 50 \quad L = \left[ \frac{1.0 \times 1.0 \times 1.0}{1.6} \times \frac{2,580}{250} \right]^3 \times 50 \quad L_h = \frac{13,417 \times 10^6}{2 \times 250 \times 60 \times 60} \\ \approx 13,417 \text{ km} \quad \approx 7,454 \text{ hours}$$

Based on our initial selection, this size would allow only 7454 hours, and the travel life desired is 15,000. So a larger size unit is necessary. The actual rating needed can also be calculated by using the 15,000 hours as a desired life and calculating to find the rating necessary to achieve this life.

$$\text{Assuming design life of 15,000 hours,} \quad L = 15,000 \times 2 \times 250 \times 10^{-6} \times 60 \times 60 = 27,000 \text{km} \\ \text{calculate the needed bearing rating required.} \quad C = \frac{250 \times 1.6}{1.0 \times 1.0 \times 1.0} \times \sqrt[3]{\frac{27,000}{50}} = 3,257 \text{N}$$

Size SUE-MM-UU has Basic Dynamic Load Rating of 3800N, which exceeds the calculated minimum rating of 3,275N needed.

# Selection Engineering Loads and Directions



The following schematics can be used as a guideline to help determine resulting loads, direction of loads and centers of gravity influence selection and size of bearing. No service factors on load type are included and must be part of any formal

load review for product sizing. Other application conditions can also influence selection requirements, seals, lubrication, temperature, severity of duty cycle, etc. For additional engineering support contact PTI.

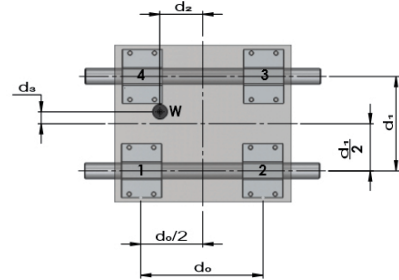
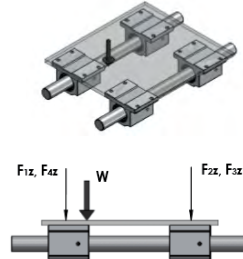
## Horizontal Application — Load Above Frame

$$F_{1Z} = \frac{W}{4} + \left( \frac{W}{2} \cdot \frac{d_2}{d_b} \right) - \left( \frac{W}{2} \cdot \frac{d_3}{d_1} \right)$$

$$F_{2Z} = \frac{W}{4} - \left( \frac{W}{2} \cdot \frac{d_2}{d_b} \right) - \left( \frac{W}{2} \cdot \frac{d_3}{d_1} \right)$$

$$F_{3Z} = \frac{W}{4} - \left( \frac{W}{2} \cdot \frac{d_2}{d_b} \right) + \left( \frac{W}{2} \cdot \frac{d_3}{d_1} \right)$$

$$F_{4Z} = \frac{W}{4} + \left( \frac{W}{2} \cdot \frac{d_2}{d_b} \right) + \left( \frac{W}{2} \cdot \frac{d_3}{d_1} \right)$$



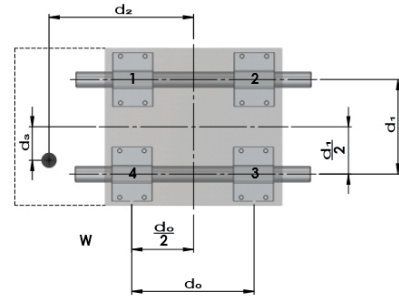
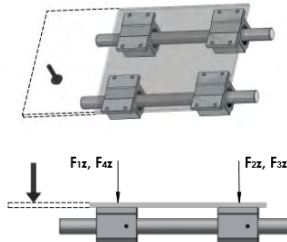
## Horizontal Application — Load Overhung from Frame

$$F_{1Z} = \frac{W}{4} + \left( \frac{W}{2} \cdot \frac{d_2}{d_b} \right) - \left( \frac{W}{2} \cdot \frac{d_3}{d_1} \right)$$

$$F_{2Z} = \frac{W}{4} - \left( \frac{W}{2} \cdot \frac{d_2}{d_b} \right) - \left( \frac{W}{2} \cdot \frac{d_3}{d_1} \right)$$

$$F_{3Z} = \frac{W}{4} - \left( \frac{W}{2} \cdot \frac{d_2}{d_b} \right) + \left( \frac{W}{2} \cdot \frac{d_3}{d_1} \right)$$

$$F_{4Z} = \frac{W}{4} + \left( \frac{W}{2} \cdot \frac{d_2}{d_b} \right) + \left( \frac{W}{2} \cdot \frac{d_3}{d_1} \right)$$

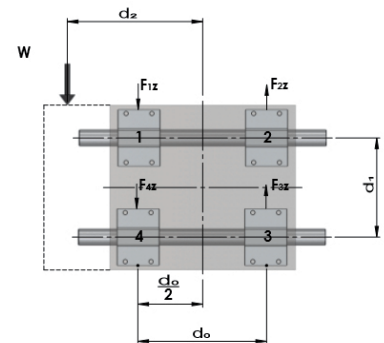
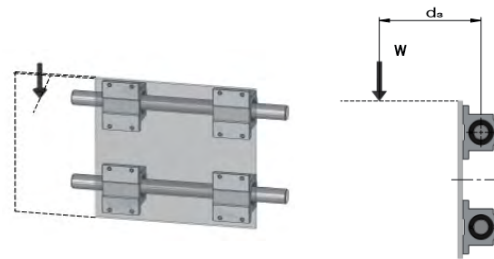


## Side Mounted Application — Load Overhung from Frame

$$F_{1Y} \sim F_{4Y} = \left( \frac{W}{2} \cdot \frac{d_3}{d_b} \right)$$

$$F_{1Z} = F_{4Z} = \frac{W}{4} + \left( \frac{W}{2} \cdot \frac{d_2}{d_b} \right)$$

$$F_{2Z} = F_{3Z} = \frac{W}{4} - \left( \frac{W}{2} \cdot \frac{d_2}{d_b} \right)$$



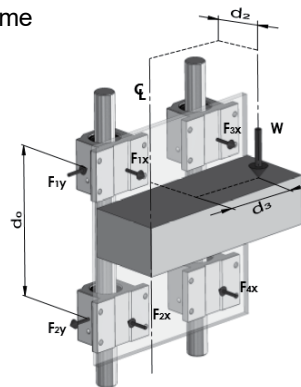
## Vertical Application — Load Overhung from Frame

$$F_{1X} \sim F_{4X} = \left( \frac{W}{2} \cdot \frac{d_2}{d_b} \right)$$

$$F_{1Y} \sim F_{4Y} = \left( \frac{W}{2} \cdot \frac{d_3}{d_b} \right)$$

$$F_{1X} + F_{4X} \sim F_{2X} + F_{3X}$$

$$F_{1Y} + F_{4Y} \sim F_{2Y} + F_{3Y}$$



**Technical Terms:** **do** = distance between units center line  
**d2** = distance between shaft center line and load point  
**W** = Load  
**Fnx** = X-Axial force (N)

**d1** = distance LM shafts center line  
**d3** = distance between shaft center line and load point  
**Fny** = Y-Axial force (N)  
**Fnz** = Z-Axial force (N)







# Linear Ball Bearing Bushings

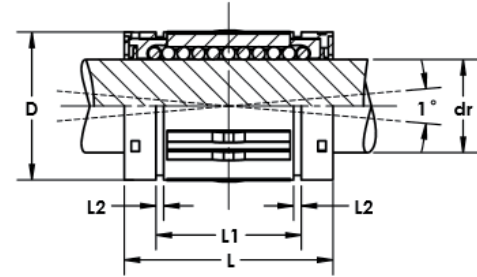


## Metric Sizes

Super Type  
Closed & Open  
Sealed



Models Available



## Closed Series

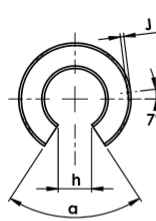
Part No. (2 Seals)	Shaft Size d	Ball Tracks	Dimension mm				Diametral Clearance		Basic Load Ratings		Wt. g	Shaft Part No. *
			D	L +/-0.2m	L <sub>1</sub> +/-0.2m	L <sub>2</sub> min	Shaft Size (mm)	Bore Tolerance (mm)	Dynamic C (N)	Static C <sub>0</sub> (N)		
SUE-10MM-UU	10	5	19	29	21.7	1.35	10	+0.008 +0.000	750	550	17	10MML
SUE-12MM-UU	12	5	22	32	22.7	1.35	12	+0.008 +0.000	1230	1100	23	12MML
SUE-16MM-UU	16	5	26	36	24.7	1.35	16	+0.009 +0.001	1550	1250	28	16MML
SUE-20MM-UU	20	6	32	45	31.3	1.65	20	+0.009 +0.001	2580	1670	61	20MML
SUE-25MM-UU	25	6	40	58	43.8	1.90	25	+0.0011 +0.002	3800	2750	122	25MML
SUE-30MM-UU	30	6	47	68	51.8	1.90	30	+0.0011 +0.002	4710	2800	185	30MML
SUE-40MM-UU	40	6	62	80	60.4	2.20	40	+0.0013 +0.002	6500	5720	360	40MML
SUE-50MM-UU	50	6	75	100	77.4	2.70	50	+0.0013 +0.002	11460	7940	580	50MML

Note: \*Pre-drilled shafting, shaft supports and end blocks available from stock.

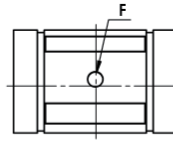
## Open Series



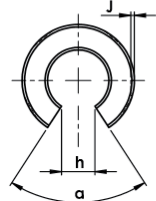
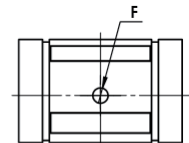
Models Available



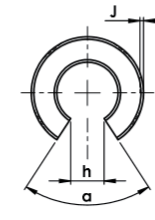
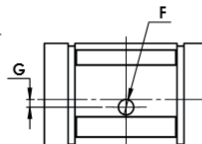
12mm



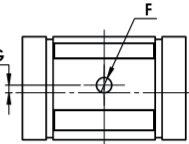
16 & 20mm



25mm



30-50mm



Part No. (2 Seals)	Shaft Size d	Ball Tracks	Dimension mm							Basic Load Ratings		Wt. g	Shaft Part No. *	
			D	L +/-0.2m	L <sub>2</sub> min	h	Degrees	F	G	J	Dynamic C (N)			Static C <sub>0</sub> (N)
SUE-12MM-UU-OPN	12	4	22	32	1.35	6.5	66°	3	—	0.7	1290	1260	18	12MML
SUE-16MM-UU-OPN	16	4	26	36	1.35	9.0	68°	3	—	0.7	1640	1320	22	16MML
SUE-20MM-UU-OPN	20	5	32	45	1.65	9.0	55°	3	—	0.9	2630	1720	51	20MML
SUE-25MM-UU-OPN	25	5	40	58	1.90	11.5	57°	3	1.5	1.4	3910	2850	102	25MML
SUE-30MM-UU-OPN	30	5	47	68	1.90	14.0	57°	3	2.0	2.2	4850	2900	155	30MML
SUE-40MM-UU-OPN	40	5	62	80	2.20	19.5	56°	3	1.5	2.7	6700	5900	300	40MML
SUE-50MM-UU-OPN	50	5	75	100	2.70	22.5	54°	3	2.5	2.3	11700	8100	480	50MML

Note: \*Pre-drilled shafting, shaft supports and end blocks available from stock

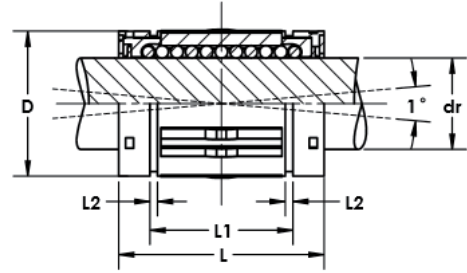
# Linear Ball Bearing Bushings



## Inch Sizes

Super Type  
Closed & Open  
Sealed

Models Available



## Closed Series

Part No. (2 Seals)	Shaft Size d	Ball Tracks	Dimension mm				Diameter Clearance		Basic Load Ratings		Wt. lbs	Shaft Part No. *
			D**	L	L <sub>1</sub>	L <sub>2</sub> min	Shaft Diameter	Shaft Tolerance	Dynamic C (lbf)	Static C <sub>0</sub> (lbf)		
SU-4-UU	1/4	4	0.5000	0.750/0.735	0.511/0.501	0.039	0.2500	+0.000/-0.0005	57	49	0.01	250L
SU-6-UU	3/8	4	0.6250	0.875/0.860	0.699/0.689	0.039	0.3750	+0.000/-0.0005	78	66	0.02	375L
SU-8-UU	1/2	4	0.8750	1.250/1.230	1.032/1.012	0.050	0.5000	+0.000/-0.0005	190	190	0.05	500L
SU-10-UU	5/8	5	1.1250	1.500/1.480	1.105/1.095	0.056	0.6250	+0.000/-0.0005	290	340	0.08	625L
SU-12-UU	3/4	6	1.2500	1.625/1.605	1.270/1.250	0.056	0.7500	+0.000/-0.0005	500	430	0.14	750L
SU-16-UU	1	6	1.5625	2.250/2.230	1.884/1.864	0.070	1.0000	+0.000/-0.0005	820	780	0.29	1000L
SU-20-UU	1-1/4	6	2.0000	2.625/2.600	2.004/1.982	0.068	1.2500	+0.000/-0.0006	1240	1270	0.4	1250L
SU-24-UU	1-1/2	6	2.3750	3.000/2.970	2.410/2.390	0.086	1.5000	+0.000/-0.0006	1510	1540	0.8	1500L
SU-32-UU	2	6	3.0000	4.000/3.690	3.193/3.960	0.105	2.0000	+0.000/-0.0008	2230	2580	1.4	2000L

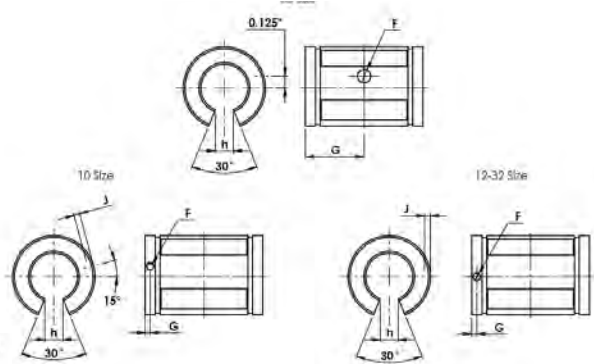
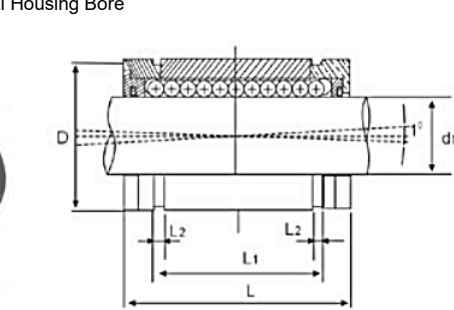
Note: \*Pre-drilled shafting, shaft supports and end blocks available from stock.

Note: \*\* - Based on Normal Housing Bore

## Open Series



Models Available



Part No. (2 Seals)	Shaft Size d	Ball Tracks	Dimension mm							Basic Load Ratings		Wt. lbs**	Shaft Part No. *
			D	F	G	h	J	L	L <sub>2</sub> min	Dynamic C (lbf)	Static C <sub>0</sub> (lbf)		
SU-8-UU-OPN	1/2	3	0.8750	0.14	0.63	0.32	THRU	1.250/1.230	0.050	210	190	0.03	500L
SU-10-UU-OPN	5/8	4	1.1250	0.11	0.13	0.38	0.039	1.500/1.480	0.056	320	340	0.06	625L
SU-12-UU-OPN	3/4	5	1.2500	0.14	0.13	0.43	0.059	1.620/1.605	0.056	510	430	0.11	750L
SU-16-UU-OPN	1	5	1.5625	0.14	0.13	0.56	0.047	2.250/2.230	0.070	830	780	0.21	1000L
SU-20-UU-OPN	1-1/4	5	2.0000	0.20	0.19	0.63	0.090	2.625/2.600	0.068	1250	1270	0.35	1250L
SU-24-UU-OPN	1-1/2	5	2.3750	0.20	0.19	0.75	0.090	3.000/2.970	0.086	1520	1540	0.67	1500L
SU-32-UU-OPN	2	5	3.0000	0.20	0.31	1.00	THRU	4.000/3.960	0.105	2250	2580	1.1	2000L

Note: \*Pre-drilled shafting, shaft supports and end blocks available from stock.

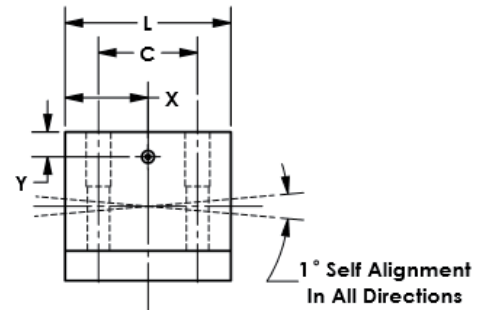
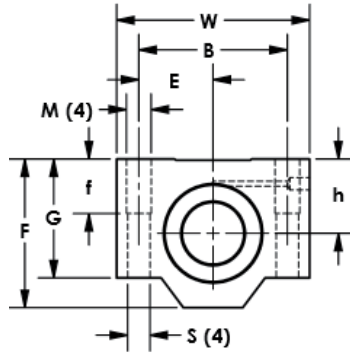
Note: \*\* - Based on Normal Housing Bore

# Linear Ball Bearing Block



## Metric Sizes

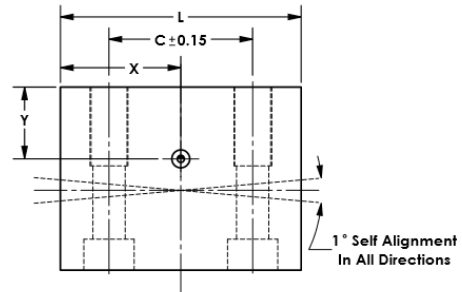
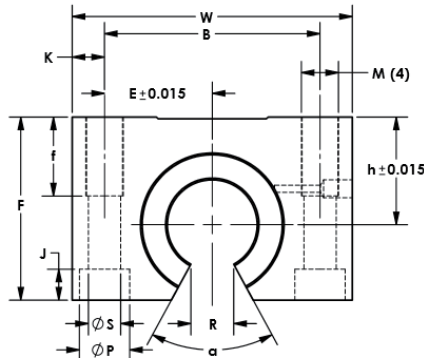
Super Type  
Closed & Open  
Sealed



## Closed Series

Part No. (2 Seals)	Shaft Size d	Dimension (mm)															Basic Load Ratings		Wt. g	Shaft Part No. *
		B	C	E	f	F	G	h	K	L	M	S	T	W	X	Y	Dynamic C (N)	Static C <sub>0</sub> (N)		
SUEPB-10MM-UU	10	29	20	20.0	11	31.5	25	16	5.5	36	M5	1.35	5	40	—	—	750	935	90	10MML
SUEPB-12MM-UU	12	32	23	21.5	11	35.0	28	18	5.5	39	M5	1.35	5	43	—	—	1020	1290	116	12MML
SUEPB-16MM-UU	16	40	26	26.5	13	42.0	35	22	6.5	43	M6	1.35	5	53	—	—	1250	1550	205	16MML
SUEPB-20MM-UU	20	45	32	30.0	18	50.0	42	25	7.5	54	M8	1.65	5	60	19.0	9.0	2090	2630	326	20MML
SUEPB-25MM-UU	25	60	40	39.0	22	60.0	48	30	9.0	67	M10	1.90	7	78	22.5	10.0	3780	4720	624	25MML
SUEPB-30MM-UU	30	68	45	43.5	22	70.0	58	35	9.5	79	M10	1.90	8	87	26.0	11.5	5470	6810	980	30MML
SUEPB-40MM-UU	40	86	58	54.0	26	90.0	72	45	11.0	91	M12	2.20	10	108	26.5	14.0	6590	8230	1670	40MML
SUEPB-50MM-UU	50	108	50	66.0	34	105.0	85	50	12.0	113	M16	2.70	12	132	43.5	12.5	10800	13500	2950	50MML

Note: \*Pre-drilled shafting, shaft supports and end blocks available from stock.



## Open Series

Part No. (2 Seals)	Shaft Size d	Dimension mm															Basic Load Ratings		Wt. g	Shaft Part No. *	
		B	C	E	f	F	h	K	L	M	R	α	S	T	W	X	Y	Dynamic C (N)			Static C <sub>0</sub> (N)
SUEPB-12MM-UU-OPN	12	32	23	21.5	11	28.0	18	5.5	39	M5	6.5	66°	4.3	5	43	14.5	7.5	1020	1290	99	12MML
SUEPB-16MM-UU-OPN	16	40	26	26.5	13	35.0	22	6.5	43	M6	9.0	68°	5.3	5	53	15.5	9.5	1250	1550	175	16MML
SUEPB-20MM-UU-OPN	20	45	32	30.0	18	42.0	25	7.5	54	M8	9.0	55°	6.6	5	60	19.0	9.0	2090	2630	275	20MML
SUEPB-25MM-UU-OPN	25	60	40	39.0	22	51.0	30	9.0	67	M10	11.5	57°	8.4	7	78	22.5	10.0	3780	4720	558	25MML
SUEPB-30MM-UU-OPN	30	68	45	43.5	22	60.0	35	9.5	79	M10	14.0	57°	8.4	8	87	26.0	11.5	5470	6810	860	30MML
SUEPB-40MM-UU-OPN	40	86	58	54.0	26	77.0	45	11.0	91	M12	19.5	56°	10.5	10	108	26.5	14.0	6590	8230	1490	40MML
SUEPB-50MM-UU-OPN	50	108	50	66.0	34	88.0	50	12.0	113	M16	22.5	54°	13.5	12	132	43.5	12.5	10800	13500	2500	50MML

Note: \*Pre-drilled shafting, shaft supports and end blocks available from stock.

# Linear Ball Bearing Block



Introduction

Mounted Ball Bearings

SRE / SR2 Spherical Bearings

SAF / Plummer Blocks

Brg. Accessories, Radial Ball, & EICH Bearings

Rod Ends & Spherical Plain Bearings

Roller Chain & Sprockets

Bushings & Hubs

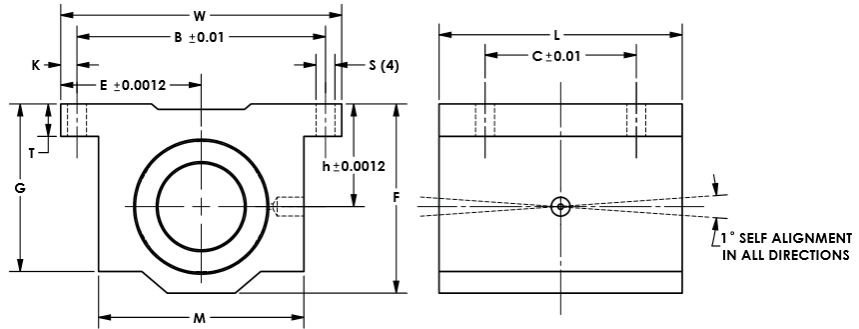
Gears & Racks

Belt Drives / Couplings

Linear Motion / WINKEL

## Inch Sizes

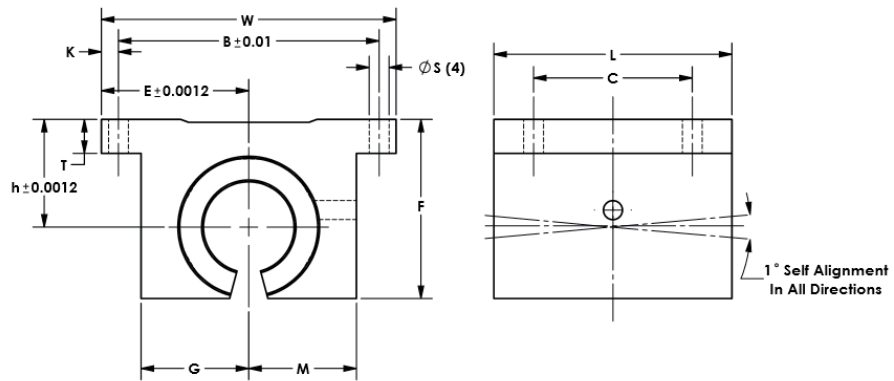
Super Type  
Closed & Open  
Sealed



## Closed Series

Part No. (2 Seals)	Shaft Size d	Dimension (mm)												Basic Load Ratings		Wt. lbs	Shaft Part No. *
		B	C	E	F	G	h	K	L	M	S	T	W	Dynamic C (lbf)	Static C <sub>0</sub> (lbf)		
SUPB-4-UU	1/4	1.312	0.750	0.8125	0.813	0.750	0.4370	0.156	1.188	1.000	0.156	0.188	1.625	57	49	0.1	250L
SUPB-6-UU	3/8	1.437	0.875	0.8750	0.938	0.875	0.5000	0.156	1.313	1.125	0.156	0.188	1.750	78	66	0.1	375L
SUPB-8-UU	1/2	1.688	1.000	1.0000	1.250	1.125	0.6870	0.156	1.688	1.375	0.156	0.250	2.000	190	190	0.2	500L
SUPB-10-UU	5/8	2.125	1.125	1.2500	1.625	1.437	0.8750	0.188	1.938	1.750	0.188	0.281	2.500	290	340	0.5	625L
SUPB-12-UU	3/4	2.375	1.250	1.3750	1.750	1.563	0.9370	0.188	2.063	1.875	0.188	0.313	2.750	500	430	0.6	750L
SUPB-16-UU	1	2.875	1.750	1.6250	2.188	1.938	1.1870	0.188	2.813	2.375	0.219	0.375	3.250	820	780	1.2	1000L
SUPB-20-UU	1-1/4	3.500	2.000	2.0000	2.813	2.500	1.5000	0.250	3.625	3.000	0.219	0.438	4.000	1240	1270	2.4	1250L
SUPB-24-UU	1-1/2	4.125	2.500	2.3700	3.250	2.875	1.7500	0.313	4.000	3.500	0.281	0.500	4.750	1510	1540	3.5	1500L
SUPB-32-UU	2	5.250	3.250	3.0000	4.063	3.625	2.1250	0.375	5.000	4.500	0.406	0.625	6.000	2230	2580	6.8	2000L

Note: \*Pre-drilled shafting, shaft supports and end blocks available from stock.



## Open Series

Part No. (2 Seals)	Shaft Size d	Dimension mm												Basic Load Ratings		Wt. lbs	Shaft Part No. *
		B	C	E	F	G	h	K	L	M	S	T	W	Dynamic C (lbf)	Static C <sub>0</sub> (lbf)		
SUPB-8-UU-OPN	1/2	1.688	1.000	1.0000	1.100	0.688	0.6870	0.156	1.500	0.860	0.156	0.250	2.000	230	290	0.2	500L
SUPB-10-UU-OPN	5/8	2.125	1.125	1.2500	1.405	0.875	0.8750	0.188	1.750	1.060	0.188	0.281	2.500	400	500	0.4	625L
SUPB-12-UU-OPN	3/4	2.375	1.250	1.3750	1.535	0.937	0.9370	0.188	1.875	1.120	0.188	0.313	2.750	470	590	0.5	750L
SUPB-16-UU-OPN	1	2.875	1.750	1.6250	1.975	1.188	1.1870	0.188	2.625	1.400	0.219	0.375	3.250	850	1060	1.0	1000L
SUPB-20-UU-OPN	1-1/4	3.500	2.000	2.0000	2.485	1.500	1.5000	0.250	3.375	1.880	0.219	0.438	4.000	1230	1530	2.0	1250L
SUPB-24-UU-OPN	1-1/2	4.125	2.500	2.3700	2.910	1.750	1.7500	0.313	3.750	2.120	0.281	0.500	4.750	1480	1850	3.0	1500L
SUPB-32-UU-OPN	2	5.250	3.250	3.0000	3.660	2.250	2.1250	0.375	4.750	2.700	0.406	0.625	6.000	2430	3040	5.8	2000L

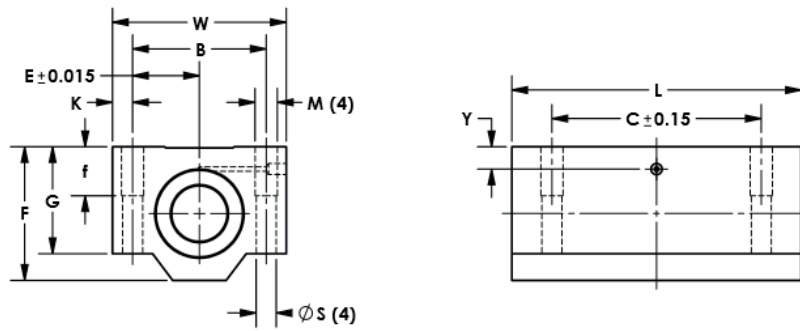
Note: \*Pre-drilled shafting, shaft supports and end blocks available from stock.

# Linear Ball Bearing Block-Wide



## Metric Sizes

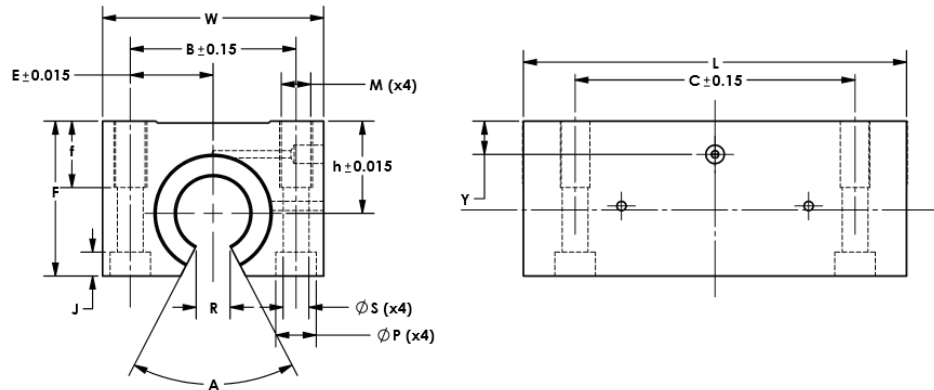
Super Type  
Closed & Open  
Sealed



## Closed Series

Part No. (2 Seals)	Shaft Size d	Dimension (mm)															Basic Load Ratings		Wt. g	Shaft Part No. *
		B	C	E	f	F	G	h	K	L	M	S	T	W	Y	Dynamic C (N)	Static C <sub>0</sub> (N)			
SUTWNEPB-10MM-UU	10	29	52	20.0	11	31.5	25	16	5.5	70	M5	4.3	5	40	7.0	1215	1870	175	10MML	
SUTWNEPB-12MM-UU	12	32	56	21.5	11	35.0	28	18	5.5	76	M5	4.3	5	43	7.5	1652	2580	227	12MML	
SUTWNEPB-16MM-UU	16	40	64	26.5	13	42.0	35	22	6.5	84	M6	5.3	5	53	9.5	2025	3100	390	16MML	
SUTWNEPB-20MM-UU	20	45	76	30.0	18	50.0	42	25	7.5	104	M8	6.6	5	60	9.0	3390	5260	630	20MML	
SUTWNEPB-25MM-UU	25	60	94	39.0	22	60.0	48	30	9.0	130	M10	8.4	7	78	10.0	6120	9440	1210	25MML	
SUTWNEPB-30MM-UU	30	68	106	43.5	22	70.0	58	35	9.5	152	M10	8.4	8	87	11.5	8860	13620	1880	30MML	
SUTWNEPB-40MM-UU	40	86	124	54.0	26	90.0	72	45	11.0	176	M12	10.5	10	108	14.0	10680	16460	3280	40MML	

Note: \*Pre-drilled shafting, shaft supports and end blocks available from stock.



## Open Series

Part No. (2 Seals)	Shaft Size d	Dimension mm															Basic Load Ratings		Wt. g	Shaft Part No. *
		B	C	E	f	F	h	K	L	M	R	α	S	T	W	Y	Dynamic C (N)	Static C <sub>0</sub> (N)		
SUTWNEPB-12MM-UU-OPN	12	32	56	21.5	11	28.0	18	5.5	76	M5	6.5	66°	4.3	5	43	7.5	1652	2580	190	12MML
SUTWNEPB-16MM-UU-OPN	16	40	64	26.5	13	35.0	22	6.5	84	M6	9.0	68°	5.3	5	53	9.5	2025	3100	312	16MML
SUTWNEPB-20MM-UU-OPN	20	45	76	30.0	18	42.0	25	7.5	104	M8	9.0	55°	6.6	5	60	9.0	3390	5260	506	20MML
SUTWNEPB-25MM-UU-OPN	25	60	94	39.0	22	51.0	30	9.0	130	M10	11.5	57°	8.4	7	78	10.0	6120	9440	1050	25MML
SUTWNEPB-30MM-UU-OPN	30	68	106	43.5	22	60.0	35	9.5	152	M10	14.0	57°	8.4	8	87	11.5	9440	13620	1630	30MML
SUTWNEPB-40MM-UU-OPN	40	86	124	54.0	26	77.0	45	11.0	176	M12	19.5	56°	10.5	10	108	14.0	10680	16460	2880	40MML

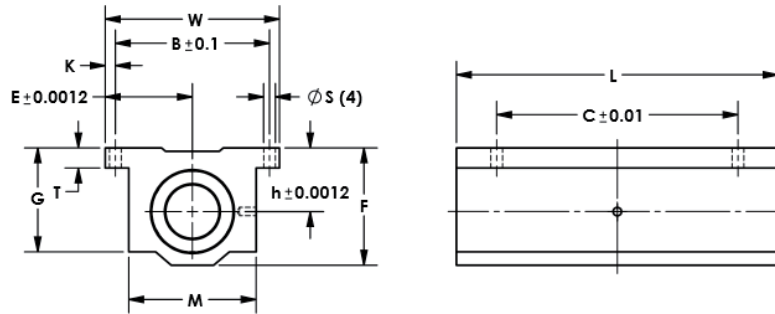
Note: \*Pre-drilled shafting, shaft supports and end blocks available from stock.

# Linear Ball Bearing Block-Wide



## Inch Sizes

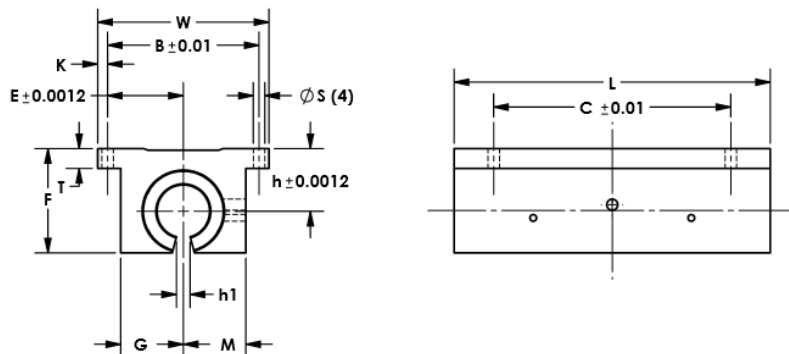
Super Type  
Closed & Open  
Sealed



## Closed Series

Part No. (2 Seals)	Shaft Size d	Dimension (in)												Basic Load Ratings		Wt. lbs	Shaft Part No. *
		B	C	E	F	G	h	K	L	M	S	T	W	Dynamic C (lbf)	Static C <sub>0</sub> (lbf)		
SUTWN-4-UU	1/4	1.312	2.000	0.8125	0.813	0.750	0.4370	0.156	2.500	1.000	0.156	0.188	1.625	96	160	0.2	250L
SUTWN-6-UU	3/8	1.437	2.250	0.8750	0.938	0.875	0.5000	0.156	2.750	1.125	0.156	0.188	1.750	150	240	0.3	375L
SUTWN-8-UU	1/2	1.688	2.500	1.0000	1.250	1.125	0.6870	0.156	3.500	1.375	0.156	0.250	2.000	370	580	0.5	500L
SUTWN-10-UU	5/8	2.125	3.000	1.2500	1.625	1.437	0.8750	0.188	4.000	1.750	0.188	0.281	2.500	640	1000	1.0	625L
SUTWN-12-UU	3/4	2.375	3.500	1.3750	1.750	1.563	0.9370	0.188	4.500	1.875	0.188	0.313	2.750	750	1180	1.2	750L
SUTWN-16-UU	1	2.875	4.500	1.6250	2.188	1.938	1.1870	0.188	6.000	2.375	0.219	0.375	3.250	1360	2120	2.4	1000L
SUTWN-20-UU	1-1/4	3.500	5.500	2.0000	2.813	2.500	1.5000	0.250	7.500	3.000	0.219	0.438	4.000	1970	3060	5.0	1250L
SUTWN-24-UU	1-1/2	4.125	6.500	2.3700	3.250	2.875	1.7500	0.313	9.000	3.500	0.281	0.500	4.750	2370	3700	7.8	1500L

Note: \*Pre-drilled shafting, shaft supports and end blocks available from stock.



## Open Series

Part No. (2 Seals)	Shaft Size d	Dimension (in)												Basic Load Ratings		Wt. lbs	Shaft Part No. *	
		B	C	E	F	G	h	h1	K	L	M	S	T	W	Dynamic C (lbf)			Static C <sub>0</sub> (lbf)
SUTWN-8UU-OPN	1/2	1.688	2.500	1.000	1.100	0.688	0.687	0.260	0.156	3.500	0.860	0.156	0.250	2.000	370	580	0.4	500L
SUTWN-10UU-OPN	5/8	2.125	3.000	1.250	1.405	0.875	0.875	0.319	0.188	4.000	1.060	0.188	0.281	2.500	640	1000	0.8	625L
SUTWN-12UU-OPN	3/4	2.375	3.500	1.375	1.535	0.937	0.937	0.386	0.188	4.500	1.120	0.188	0.313	2.750	750	1180	1.0	750L
SUTWN-16UU-OPN	1	2.875	4.500	1.625	1.975	1.188	1.187	0.512	0.188	6.000	1.400	0.219	0.375	3.250	1360	2120	2.0	1000L
SUTWN-20UU-OPN	1-1/4	3.500	5.500	2.000	2.485	1.500	1.500	0.569	0.250	7.500	1.88	0.219	0.438	4.000	1970	3060	4.2	1250L
SUTWN-24UU-OPN	1-1/2	4.125	6.500	2.370	2.910	1.750	1.750	0.681	0.313	9.000	2.12	0.281	0.500	4.750	2370	3700	6.7	1500L

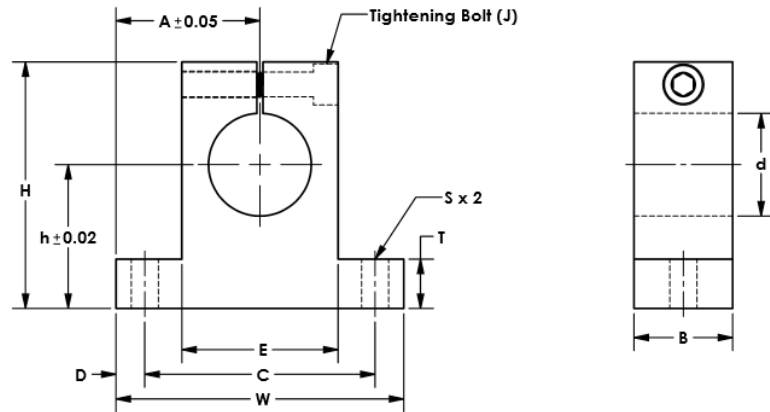
Note: \*Pre-drilled shafting, shaft supports and end blocks available from stock.

# Shaft Support Blocks



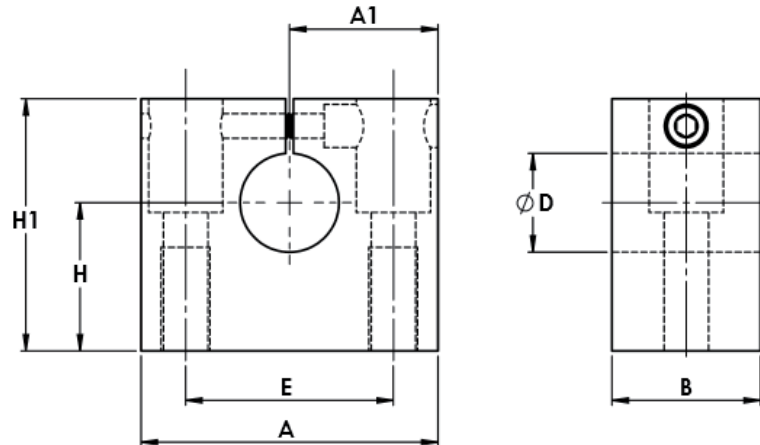
## Metric Sizes Standard Height

Use Shaft Support Blocks on shaft ends where loads are light and shaft deflection can be allowed. For no deflection, use shaft support rails. Supports are high strength Aluminum. Shimming recommended for high precision control of movement.



Part No.	Shaft Size d	Dimension (mm)										Wt. g	
		A	B	C	D	E	h	H	J	S	T		W
SBM08	8	21	14	32	5	18	20	32.8	M4	5.5	6	42	24
SBM10	10	21	14	32	5	18	20	32.8	M4	5.5	6	42	24
SBM12	12	21	14	32	5	20	23	38	M4	5.5	6	42	30
SBM16	16	24	16	38	5	25	27	44	M4	5.5	8	48	40
SBM20	20	30	20	45	7.5	30	31	51	M5	6.6	10	60	70
SBM25	25	35	24	56	7	38	35	60	M6	6.6	12	70	130
SBM30	30	42	28	64	10	44	42	70	M6	9	12	84	180
SBM40	40	57	36	90	12	60	60	96	M8	11	15	114	420

## Low Profile Support Block



Material: Aluminum Alloy

Part No.	Shaft Size d	Dimension mm							N3	Wt. g
		A	A (=/- .012)	A1	B	E (+/- .012)	H (+/- .001)	H1		
ASBM08	8	32	42	21	18	22	15	28	M4	40
ASBM12	12	43	42	21	20	30	20	36	M6	100
ASBM16	16	53	48	24	24	38	25	43	M8	150
ASBM20	20	60	60	30	30	42	30	51	M10	230
ASBM25	25	78	70	35	38	56	35	61	M12	410
ASBM30	30	87	84	42	40	64	40	71	M12	530
ASBM40	40	108	114	57	48	82	50	88	M16	990



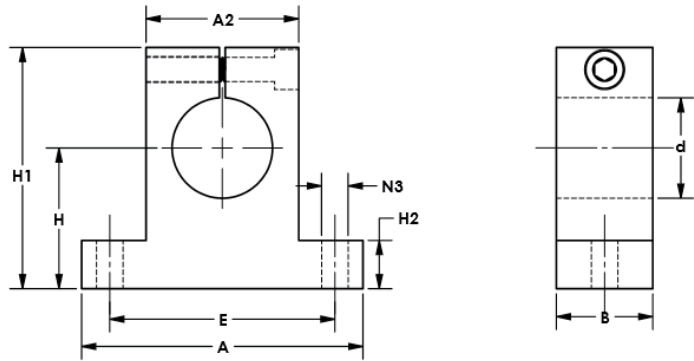
# Shaft Support Blocks



## Inch Sizes

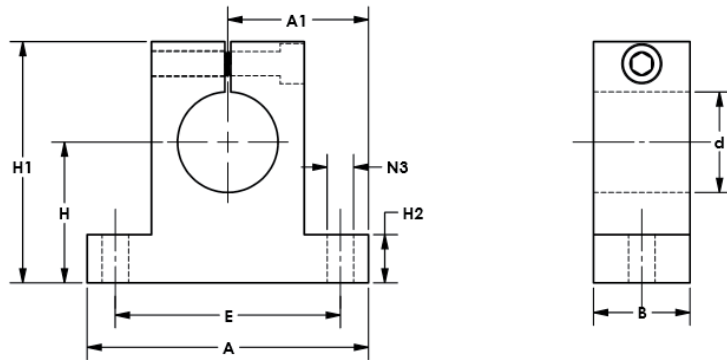
### Standard Height

Use Shaft Support Blocks on shaft ends where loads are light and shaft deflection can be allowed. For no deflection, use shaft support rails. Supports are high strength Aluminum. Shimming recommended for high precision control of movement.



Part No.	Shaft Size d	Dimension (in)							N3		Wt. lbs
		A	A2	B	E (+/- 0.10)	H (+/- .002)	H1	H2	Hole	Bolt	
SB-4	1/4	1.50	0.63	0.50	1.125	0.687	1.06	0.25	0.16	# 6	0.03
SB-6	3/8	1.63	0.69	0.56	1.250	0.750	1.19	0.25	0.16	# 6	0.1
SB-8	1/2	2.00	0.75	0.63	1.500	1.000	1.63	0.25	0.19	# 8	0.3
SB-10	5/8	2.50	0.88	0.69	1.875	1.000	1.75	0.31	0.22	# 10	0.4
SB-12	3/4	2.75	1.00	0.75	2.000	1.250	2.13	0.31	0.22	# 10	0.5
SB-16	1	3.25	1.38	1.00	2.500	1.500	2.56	0.38	0.28	1/4	1.0
SB-20	1-1/4	4.00	1.75	1.13	3.000	1.750	3.00	0.44	0.34	5/16	2.0
SB-24	1-1/2	4.75	2.00	1.25	3.500	2.000	3.50	0.50	0.34	5/16	2.6
SB-32	2	6.00	2.63	1.50	4.500	2.500	4.50	0.63	0.41	3/8	4.8

### Low Profile Support Block



Material: Aluminum Alloy

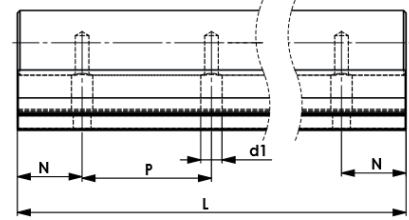
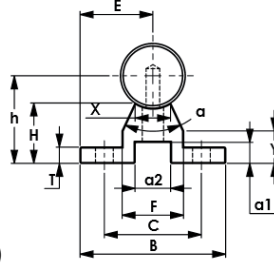
Part No.	Shaft Size d	Dimension (in)						N3		Wt. lbs
		A	A1	B	E (+/- .010)	H (+/- .002)	H1	Hole	Bolt	
SSB-4	1/4	1.50	0.750	0.50	1.12	0.500	0.89	0.16	#6	0.1
SSB-6	3/8	1.62	0.813	0.56	1.25	0.562	1.00	0.16	#6	0.1
SSB-8	1/2	2.00	1.000	0.63	1.50	0.875	1.48	0.19	#8	0.1
SSB-12	3/4	2.50	1.250	0.75	2.00	1.125	1.95	0.22	#10	0.2
SSB-16	1	3.25	1.625	1.00	2.50	1.375	2.48	0.28	1/4	0.4
SSB-32	2	4.75	2.375	1.25	3.50	2.000	3.50	0.34	5/16	1.2

# Support Rails & Assemblies



## SRM & LSRM Series - Metric Shafts

For Continuously Supported metric Shafting  
Standard Support Rails (SRM) & Low Support Rails (LSRM)  
Aluminum Alloy



### Standard Metric Support Rails (SRM)

Part No.	Shaft Size d	Dimension (in)															Wt. kg/m		
		a1	a2	B	C	$\alpha$	d1	E	F	H	h	L max*	N	P	S1	T		X	Y
SRM16	16	6.0	9.5	40	30	80°	5.5	20.0	18.5	17.8	25	1390	20	150	Ø5.5	5	8.0	11.7	2.6
SRM20	20	6.5	11.0	45	30	50°	6.6	22.5	19.0	17.7	27	1390	20	150	Ø5.5	5	8.0	10.0	3.5
SRM25	25	6.5	11.0	55	35	50°	6.6	27.5	21.5	21.0	33	1850	25	200	Ø6.6	6	8.0	12.0	5.3
SRM30	30	8.5	14.0	60	40	50°	9.0	30.0	26.5	22.8	37	1850	25	200	Ø6.6	7	10.3	13.0	7.4
SRM40	40	8.5	14.0	75	55	50°	9.0	37.5	38.0	29.4	48	1860	30	200	Ø9.0	9	16.0	16.0	12.7

Note: \*Standard Shaft lengths in mm.

Part No.	Length
SRM16-190	190
SRM16-340	340
SRM16-640	640
SRM16-970	940
SRM16-1390	1390

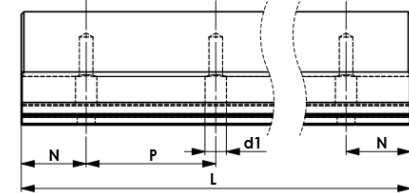
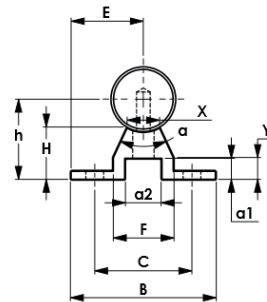
Part No.	Length
SRM20-340	340
SRM20-640	640
SRM20-940	940
SRM20-1240	1240
SRM20-1390	1390

Part No.	Length
SRM25-240	240
SRM25-450	450
SRM25-850	850
SRM25-1250	1250
SRM25-1850	1850

Part No.	Length
SRM30-450	450
SRM30-850	850
SRM30-1250	1250
SRM30-1450	1450
SRM30-1850	1850

Part No.	Length
SRM40-640	460
SRM40-660	660
SRM40-860	860
SRM40-1060	1060
SRM40-1260	1260
SRM40-1860	1860

### Metric Low Support Rails (LSRM)



Part No.	Shaft Size d	Dimension (in)															Wt. kg/m
		a1	a2	B	C	$\alpha$	d1	E	H	h	L max*	N	P	S1	T	X	
LSRM16	16	6.0	9.5	50	37	60°	5.5	25.0	14.84	22	1390	20.0	150.0	Ø5.5	6	8	2.6
LSRM20	20	6.5	11.0	55	40	50°	6.6	27.5	19.64	29	1390	20.0	150.0	Ø5.5	8	8	4.2
LSRM25	25	6.5	11.0	65	45	50°	6.6	32.5	20.00	32	1850	25.0	200.0	Ø6.6	10	8	5.8
LSRM30	30	8.5	14	75	55	50°	9.0	37.5	20.28	36.5	1850	25.0	200.0	Ø6.6	12	10.3	8.3

Note: \*Standard Shaft lengths in mm.

Part No.	Length
LSRM16-190	190
LSRM16-340	340
LSRM16-640	640
LSRM16-940	940
LSRM16-1390	1390

Part No.	Length
LSRM20-340	340
LSRM20-640	640
LSRM20-940	940
LSRM20-1240	1240
LSRM20-1390	1390

Part No.	Length
LSRM25-340	240
LSRM25-640	440
LSRM25-940	840
LSRM25-1250	1250
LSRM25-1850	1850

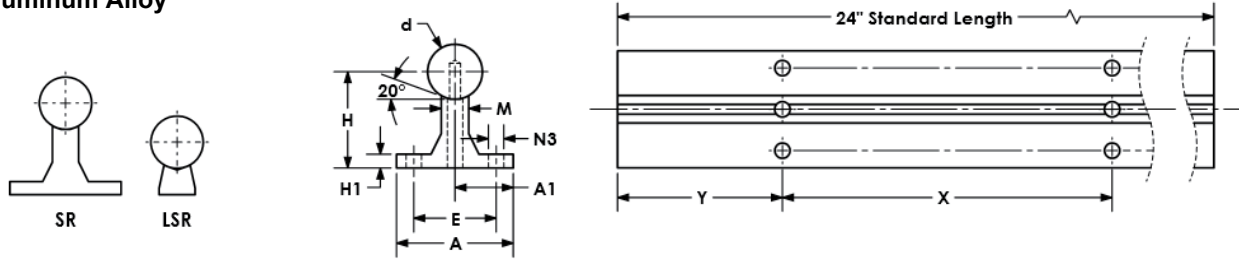
Part No.	Length
LSRM30-340	450
LSRM30-640	850
LSRM30-940	1250
LSRM30-1450	1450
LSRM30-1850	1850

# Support Rails & Assemblies



## SR & LSR Series - Inch Shafts

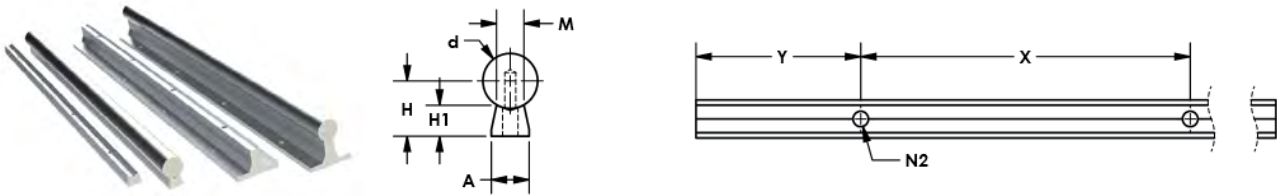
For Continuously Supported Inch Shafting  
Standard Support Rails (SR) & Low Support Rails (LSR)  
Aluminum Alloy



### Standard Inch Support Rails (SR)

Part No. (Without Holes)	Part No. (With Pre-Drilled Holes)	Shaft Size d	Dimension (in)					N3		Mounting Bolt for Pre-Drilled Shaft	X	Wt. lbs/ft
			H (+/-0.002")	H1	A	E	M	Hole	Bolt			
SR08	SR08-PD	1/2	1.125	0.19	1.50	1.00	0.25	0.17	# 6	6-32 UNF x .88	4	0.6
SR10	SR10-PD	5/8	1.125	0.25	1.63	1.13	0.31	0.19	# 8	8/32 UNF x .88	4	0.8
SR12	SR12-PD	3/4	1.500	0.25	1.75	1.25	0.38	0.22	# 10	10/32 UNF x 1.25	6	1.0
SR16	SR16-PD	1	1.750	0.25	2.13	1.50	0.50	0.28	1/4	1/4-20 UNC x 1.50	6	1.4
SR20	SR20-PD	1-1/4	2.125	0.31	2.50	1.88	0.56	0.34	5/16	5/16-18 UNC x 1.75	6	2.1
SR24	SR24-PD	1-1/2	2.500	0.38	3.00	2.25	0.69	0.34	5/16	3/8-16 UNC x 1.75	8	2.6
SR32	SR32-PD	2	3.250	0.50	3.75	2.75	0.88	0.40	3/8	1/2-13 UNC x 2.50	8	4.2

Note: Longer lengths available on request.



### Inch Low Support Rails (LSR)

Part No. (Without Holes)	Part No. (With Pre-Drilled Holes)	Shaft Size d	Dimension (in)				N2	N1	Wt. lbs/ft
			H (+/-0.002")	H1	A	M	Hole	Bolt	
LSR08	LSR08-PD	1/2	0.562	0.34	0.37	0.25	0.17	6-32 UNF	0.32
LSR10	LSR10-PD	5/8	0.687	0.41	0.45	0.31	0.19	8/32 UNF	0.49
LSR12	LSR12-PD	3/4	0.750	0.42	0.51	0.38	0.22	10/32 UNF	0.59
LSR16	LSR16-PD	1	1.000	0.56	0.69	.50	0.28	1/4-20 UNC	1.01
LSR20	LSR20-PD	1-1/4	1.187	0.63	0.78	0.56	0.34	5/16-18 UNC	1.27
LSR24	LSR24-PD	1-1/2	1.375	0.70	0.93	0.69	0.41	3/8-16 UNC	1.68
LSR32	LSR32-PD	2	1.750	1.18	1.18	0.88	0.53	1/2-13 UNC	2.59

### Pre-Assembled Shaft Rail Assemblies



PTI can pre-assemble shafts and shaft supports. Consult Sales.

# Standard & Pre-Drilled Shafting



Carbon Steel, 60 Rockwell

Inch & Metric Sizes



## Inch Shafting - Class L

**Hardness:** 60 Rockwell C (min)

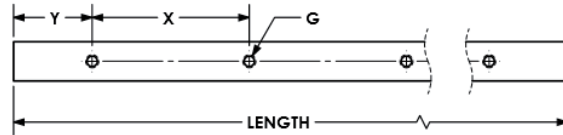
**Surface Finish:** 8 Ra Max

**Roundness:** 0.00080"

**Straightness:** 0.001" per foot Cumulative, 0.002" TIR

**Taper:** 0.0001"

Pre-Drilled



Inch Standard			
Dimensions (in)			
Part No.	Shaft Diameter	Shaft Tolerance	Max Stock length L
250L	1/4	0.2490 / 0.2495	54
375L	3/8	0.3740 / 0.3745	166
500L	1/2	0.4990 / 0.4995	166
625L	5/8	0.6240 / 0.6245	202
750L	3/4	0.7490 / 0.7495	202
1000L	1	0.9990 / 0.9995	202
1250L	1-1/4	1.2490 / 1.2495	202
1500L	1-1/2	1.4989 / 1.4994	202
2000L	2	1.9987 / 1.9994	202

Note: Other shaft sizes available on request.

Inch Pre-Drilled					
Dimensions (in)					
Part No.	Shaft Diameter	Shaft Tolerance	Max Stock length L	G Thd	X (+/- 1/64)
—	—	—	—	—	—
—	—	—	—	—	—
500LPD	1/2	0.4990 / 0.4995	166	# 6-32 UNF	4
625LPD	5/8	0.6240 / 0.6245	202	# 8/32 UNF	4
750LPD	3/4	0.7490 / 0.7495	202	# 10/32 UNF	6
1000LPD	1	0.9990 / 0.9995	202	1/4-20 UNC	6
1250LPD	1-1/4	1.2490 / 1.2495	202	5/16-18 UNC	6
1500LPD	1-1/2	1.4989 / 1.4994	202	3/8-16 UNC	8
2000LPD	2	1.9987 / 1.9994	202	1/2-13 UNC	8

Note: Y = distance from 1st tapped hole to shaft end. Each end will be the same unless specified.

## Metric Shafting - Class MM

**Hardness:** 60 Rockwell C (min)

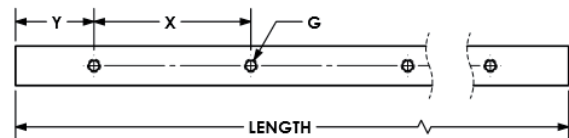
**Surface Finish:** 8 Ra Max

**Roundness:** 0.002mm

**Straightness:** 0.0254mm per foot Cumulative, 0.051mm TIR

**Taper:** 0.0025mm

Pre-Drilled



Metric Standard				Metric Pre-Drilled							
Dimensions (mm)				PD1		PD2		Dimensions (mm)			
Part No.	Shaft Diameter	Shaft Tolerance	Max Stock length L	Part No.	X (PD1)	Part No.	x (PD2)	Shaft Diameter	Shaft Tolerance	Max Stock length L	G Thd
10MML	10	9.99 / 10.00	4216	—	—	—	—	—	—	—	—
12MML	12	11.99 / 12.00	4216	12MMLPD1	75	12MMLPD2	120	12	11.99 / 12.00	4216	M4
16MML	16	15.99 / 16.00	4521	16MMLPD1	100	16MMLPD2	150	16	15.99 / 16.00	4521	M5
20MML	20	19.99 / 20.00	4521	20MMLPD1	100	20MMLPD2	150	20	19.99 / 20.00	4521	M6
25MML	25	24.99 / 25.00	4521	25MMLPD1	120	25MMLPD2	200	25	24.99 / 25.00	4521	M8
30MML	30	29.99 / 30.00	4521	30MMLPD1	150	30MMLPD2	200	30	29.99 / 30.00	4521	M10
40MML	40	39.99 / 40.00	4521	40MMLPD1	200	40MMLPD2	300	40	39.99 / 40.00	4521	M10

Note: Other shaft sizes available on request.

Note: Y = distance from 1st tapped hole to shaft end. Each end will be the same unless specified.

# Stainless & Pre-Drilled Stainless Shafting

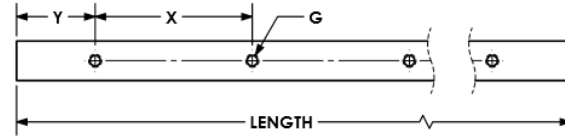


440 Stainless Steel, 50 Rockwell C (min)

Inch & Metric Sizes



Pre- Drilled



## Stainless Inch Shafting - Class L

**Hardness:** 50 Rockwell C (min)

**Surface Finish:** 8 Ra Max

**Roundness:** 0.000080"

**Straightness:** 0.001" per foot Cumulative, 0.002" TIR

**Taper:** 0.0001"

Inch Stainless			
Dimensions (in)			
Part No.	Shaft Diameter	Shaft Tolerance	Max Stock length L
250LSS	1/4	0.2490 / 0.2495	94
375LSS	3/8	0.3740 / 0.3745	178
500LSS	1/2	0.4990 / 0.4995	178
625LSS	5/8	0.6240 / 0.6245	178
750LSS	3/4	0.7490 / 0.7495	178
1000LSS	1	0.9990 / 0.9995	178
1250LSS	1-1/4	1.2490 / 1.2495	178
1500LSS	1-1/2	1.4989 / 1.4994	178
2000LSS	2	1.9987 / 1.9994	178

Note: Other shaft sizes available on request.

Inch Pre-Drilled					
Dimensions (in)					
Part No.	Shaft Diameter	Shaft Tolerance	Max Stock length L	G Thd	X (+/- 1/64)
—	—	—	—	—	—
—	—	—	—	—	—
500LPDSS	1/2	0.4990 / 0.4995	166	# 6-32 UNF	4
625LPDSS	5/8	0.6240 / 0.6245	178	# 8/32 UNF	4
750LPDSS	3/4	0.7490 / 0.7495	178	# 10/32 UNF	6
1000LPDSS	1	0.9990 / 0.9995	178	1/4-20 UNC	6
1250LPDSS	1-1/4	1.2490 / 1.2495	178	5/16-18 UNC	6
1500LPDSS	1-1/2	1.4989 / 1.4994	178	3/8-16 UNC	8
2000LPDSS	2	1.9987 / 1.9994	178	1/2-13 UNC	8

Note: Y = distance from 1st tapped hole to shaft end. Each end will be the same unless specified.

## Stainless Metric Shafting - Class MM

**Hardness:** 50 Rockwell C (min)

**Surface Finish:** 8 Ra Max

**Roundness:** 0.002mm

**Straightness:** 0.0254mm per foot Cumulative, 0.051mm TIR

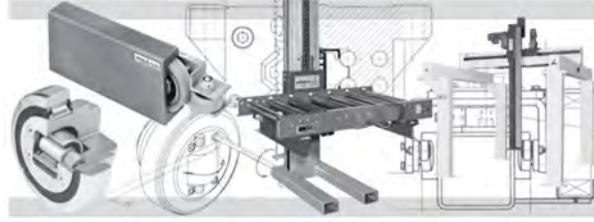
**Taper:** 0.0025mm

Metric Stainless			
Dimensions (mm)			
Part No.	Shaft Diameter	Shaft Tolerance	Max Stock length L
10MMLSS	10	9.99 / 10.00	4216
12MMLSS	12	11.99 / 12.00	4216
16MMLSS	16	15.99 / 16.00	4521
20MMLSS	20	19.99 / 20.00	4521
25MMLSS	25	24.99 / 25.00	4521
30MMLSS	30	29.99 / 30.00	4521
40MMLSS	40	39.99 / 40.00	4521

Note: Other shaft sizes available on request.



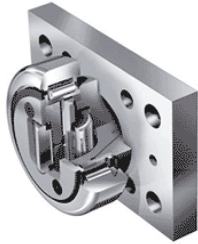
Heavy Duty Combined Bearings for Harsh Environments



Winkel Profile Rail & Combined Bearings for Heavy Duty Linear Control of Systems.



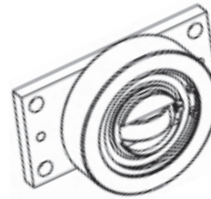
C-Channel and I-Beam Profiles available 6 & 12 meter lengths



Flange Plates Allow Easy Installation.



Combined Bearing Axially Adjusts with Face Shims



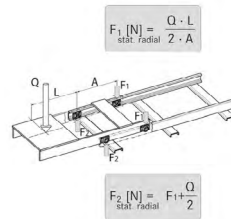
#D Component Models for Design Support



Vulkollan & Polyamide Rollers for Silent and/or High Speeds



Combined Bearings with Fixed or Adjustable Axial Bearing



Application Assistance for Selection & Support



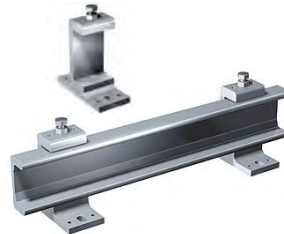
Radial & Axially Adjustable Vulkollan & Polyamide Flange Assy.



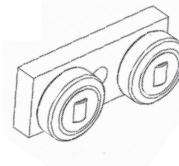
Wipers (end closures) to close shield bearings within the profile.



Square Flange Plates & Adjustment Shims



Profile & Clamp Flanges for Combined Bearings



Custom Duplex Units for High Loads, and Limited by Profile Size.



Gears and Racks for System Drive Control of Linear Motion



Oilamide Thrust Bearings for Heavy Thrust Loads



Vulkollan, Polyamide and Stainless Steel units for High Speed and Quiet Operation

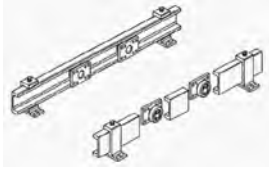


Plasma Coated Profiles & Thin Dense Chrome Bearings for Corrosion resistance



Jumbo Combined Bearings (large diameter) and Very Heavy Loads

Winkel Combined Bearings and NbV Profiles control linear motion. They are heavy duty units and can be used for precision control as well. Combined bearings fit precisely into channels with minimal components. They guide linear movement and handle both radial and/or thrust loads.



Typically four combined bearings are normally required for a typical single stage linear system. Multiple bearings and profiles may be used for telescoping systems or multi-axis designs.

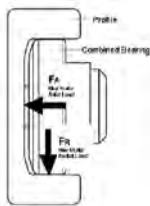
Winkel bearing types cover a wide range of loads and application conditions. Combined bearings are available for varying loads, temperatures, precision, speed, noise and corrosion resistance requirements. Profiles can be fabricated weldments added and/or machined for specialized control and mounting, including curved sections.



The profile size is the most important design consideration in the selection process. Once the system loads are known, the profile size can be determined and then the bearing selected to fit. The profile is designed to fit into equipment framework by welding with brackets drilled and tapped for fasteners or with clamping flanges. PTI stocks 14 standard profile sizes typically in 6 meter lengths in Charlotte NC, and 12 meters lengths in Germany. Profiles can be cut-to-length and shipped quickly from Charlotte. Lengths longer than 12 meters can also be provided on request.



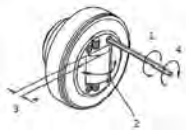
Combined Bearings have higher load ratings than profiles, which provides a design safety factor protecting the bearing. A single combined bearing can handle both radial and thrust loads. Bearings are stocked with and without flanges. Flanges allow simple mounting, a consideration for assembly and maintenance. Bearings can also be welded directly into the equipment frame. Several flange types allow various mounting clearance holes for thru bolts and/or threaded holes for reverse mounting.



The gap between the axial bearing and the inside face of the profile should be controlled as the profiles are installed. The gap can be fine tuned by placing shims behind the flange to reduce or minimize the gap. A gap of 0.5mm to 1mm is recommended. Full contact may preload the bearing resulting in reduced life. Shims are a simple option to adjust this gap at assembly. Proper bearing spacing will ensure a smooth operating system.



Other bearing versions offer internal adjustment means that provide both radial and axial adjustment.



Wipers can be fastened to flanges to limit debris from entering the profile and protect the bearing and profile. Heavy duty units for harsh or corrosive environments allow load control as well as protection of the rolling elements. These units allow re-lubrication and can be provided with special ATC coatings or provided in stainless steel for both bearings and profiles for the ultimate protection



Vulkollan or Polyamide coated steel rollers and bearings allow quiet high speed solutions to 10meters/sec. All are offered as bearing only or with flanges for easy installation and removal.

An new flange mounted version with adjustable radial and axial bearings provides smooth control and snug fits for gap control.

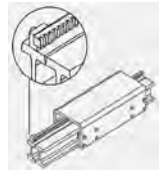


Vukollan Drive Bearings can mount to frames and adapt to drives, run silent and are lubed for life. Jumbo Combined bearings and fabricated Profiles take load capabilities to new levels. The large units with OD's to 280mm have static ratings of 625kN (140,000 Lbs) and are very capable in tough environments. Fabricated Profiles can be provided to suit the desired length.

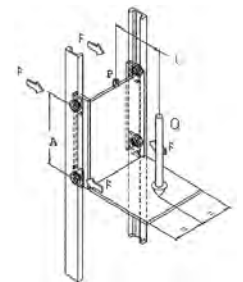
Precision control is accomplished by machining the Profile Load surfaces and using a slightly larger bearing outer race (PR Combined Bearings) to fit the profile precisely (reduced clearance between the bearing and profile) than standard units. PR Profiles and custom length profiles can be offered machined up to 50 feet long in one set up.



Combined Bearings and Profiles can be integrated with existing systems and control can be assisted with our gear and rack products. PTI stocks a wide variety of inch and metric PT products to support and control the system.

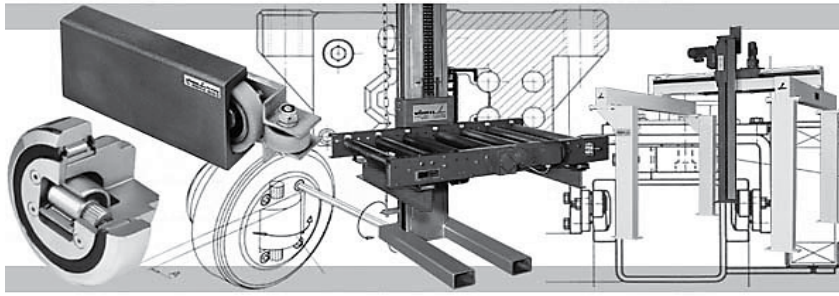


PTI can assist with recommendations or suggestions, and review product choices to optimize your system. The Winkel Combined Bearing and Profile system utilizes fewer components and is easier to install than the typical cam follower arrangements. This simple to install system yields a low cost solution to heavy duty linear motion.



Models available: [www.winkel.de](http://www.winkel.de)

## The Economical Solution for Vertical & Horizontal Linear Motion



### Advantages of Combined Bearing Systems

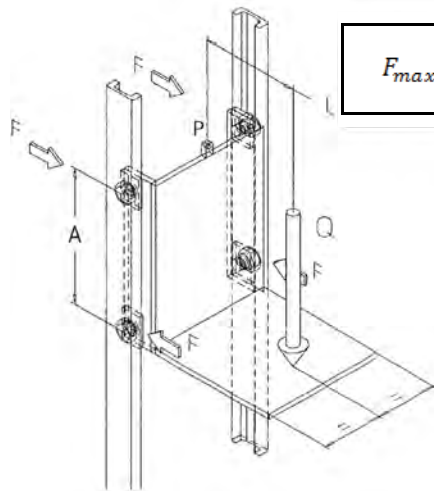
- Combined Bearings simplify the system design
- Cylindrical Roller Bearings for heavy loads, long life
- Accommodates radial and axial loads within a single bearing
- Robust profile design for heavy static and dynamic loads
- Economical, cost effective assembly
- Flange mounted units make installation simple

### Bearings and Profiles

- Bearings: Outer races case hardened UNI 16 CrNi 4, 62+2 HRC, Inner rings from 52100 bearing steel, 62-2 HRC
- Standard operating temperature range -20°C to +80°C (-0°F to +175°F); High Temperature (HT) units to 250°C (480°F) are also readily available
- Bearings can be re-lubricated
- NbV Profiles: High quality S450 J2 Mod with 30% increased load capacity, 6 & 12 meter lengths standard, longer on request
- Profiles can be structural, wear resistant
- Corrosion resistant coating for bearings and profiles available

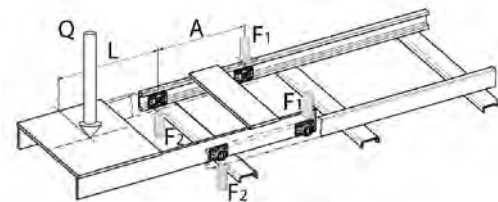
### Calculating Bearing Loads

#### For Vertical Profiles



$$F_{max} [N] = \frac{Q \cdot A}{2 \cdot A}$$

#### For Horizontal Profiles



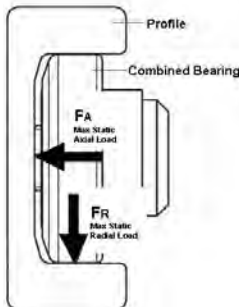
$$F_1 [N] = \frac{Q \cdot A}{2 \cdot A}$$



Note: Combined Bearing in Profile;  
Shims refine ideal axial spacing

$$F_2 [N] = \frac{Q (L + A)}{2 \cdot A}$$

### Selection Procedure



NbV Profiles (Channels) and Combined Bearings are typically used together. The Profile size must be selected first, based on the max Static Radial or Axial Load limits of the profile indicated in the sketch at the left. The bearing ratings are also listed for each type on the following pages. The bearing ratings are higher than the matching profile. The bearing ratings can be used to determine bearing life via the normal bearing formulas. Consult PTI for bearing selection if using fabricated steel or hardened surfaces.

Please take any application shock loads into consideration as additional load factors when selecting profiles. As an example, without shock loads, use a Service Factor of 1.0 x the load. For moderate shock, multiply the calculated load by 2.0, and for heavy shock loads, multiply the calculated load by 3.0. These Service Factors are intended as a guide. Once the profile size is determined based on the Profile load capacity in the shaded area of the chart to the right, the bearing type can be chosen to fit the profile.



## Winkel NbV U-Profile (S450 J2 Mod) with 30% increased Load Capacity

Winkel Profiles are made from steel grade S450 J2 Mod. This has a significantly higher tensile, yield and allowable Hertzian pressure (roller contact pressure on profile), then the customary S355 J2 material. This upgraded material allows Winkel Profile

to have a higher resistance to wear out, and also allow smaller profile/bearing choices during selection. The Winkel Profile is listed in the chart along with the common material within the industry.

Material	Yield Point 1 (Fig Thickness <20mm)	Yield Point 2 (Fig Thickness >20mm)	Tensile Strength	Elongation	Max Hertzian Pressure
S355 J2 (General Industry)	355 N/mm <sup>2</sup>	345 N/mm <sup>2</sup>	470-630 N/mm <sup>2</sup>	Min 22%	750 N/mm <sup>2</sup>
S450 J2 Mod. (Winkel)	430 N/mm <sup>2</sup>	420 N/mm <sup>2</sup>	550-700 N/mm <sup>2</sup>	Min 19%	900 N/mm <sup>2</sup>

### Standard Profile & Bearings

Profile Size/Type		Profile – Load Ratings		Combined Bearing Types - All Available with and without Flanges							
U-Profile	I-Beam	F <sub>R</sub> kN Max Static Radial Load (kN)	F <sub>A</sub> kN Max Static Axial Load (kN)	Combined Brg with Fixed Axial	Combined Bearing Eccentric Adjustable	Combined Brg Adjustable with Shim and Washer	Heavy Duty Combined Bearing	Combined Brg with Adjustable Eccentric Radial	Radial Bearing	Combined Brg with Oilamide Thrust Bearing	Combined Brg with Threaded Stud
		Selection Procedure: Choose Profile Size/Type Based Profile Allowable Load at Bearing, then select Combined Bearing Type									
Bearing only less Flange Plate											
With Flange Plate (Square + Rectangular)											
A	—	0.80 kN	3.1 kN	—	—	—	—	—	—	W-4.052P	—
S	—	5.23	1.68	W-4.053	—	—	—	—	—	—	—
0 NbV	—	10.30	3.20	W-4.054	W-4.454	W-4.072	W-3054	W-JC4.054	W-2.054	W-4.072P	W-KB4.072
1 NbV	3018 NbV	12.40	3.87	W-4.055	W-4.455	W-4.073	W-3.055	W-JC4.055	W-2.055	W-4.073P	W-KB4.073
2 NbV	—	12.90	4.00	W-4.056	W-4.456	W-4.074	W-3.056	W-JC4.056	W-2.056	W-4.074P	W-KB4.074
—	3019 NbV	12.90	4.00	W-4.057	W-4.457	W-4.075	—	—	—	—	—
3 NbV	3020 NbV	22.40	7.00	W-4.058	W-4.458	W-4.076	W-3.058	W-JC4.058	W-2.058	W-4.076P	W-KB4.076
—	2912 NbV	22.00	7.00	W-4.059	W-4.459	W-4.077	—	—	—	—	—
—	3100 NbV	23.80	7.44	W-4.060	W-4.460	W-4.078	—	—	—	—	—
4 NbV	—	23.80	7.44	W-4.061	W-4.461	W-4.0784	W-3.061	W-JC4.061	W-2.061	W-4.0784P	W-KB4.0784
5 NbV	—	33.90	10.60	W-4.062	W-4.462	W-4.079	W-3.062	W-JC4.062	W-2.062	W-4.079P	W-KB4.079
—	3353 NbV	26.00	10.60	—	—	—	—	—	—	—	—
6 NbV	—	59.20	18.50	W-4.063	W-4.463	—	W-3.063	W-JC4.063	W-3.063	W-4.080P	—
6 NbV	—	39.50	18.50	—	—	W-4.080	—	—	—	—	W-KB4.080
8 NbV	—	91.80	23.70	—	W-4.085	—	—	—	—	W-4.085P	—
—	10	41.71	13.91	—	W-4.089	—	—	—	—	—	—
—	16	58.00	19.40	—	W-4.090	—	—	—	—	—	—
—	18	84.00	28.00	—	W-4.091	—	—	—	—	—	—
—	28	101.50	33.90	—	W-4.092	—	—	—	—	—	—
—	36/42	139.40	46.50	—	W-4.093	—	—	—	—	—	—
—	50	192.00	57.70	—	W-4.094	—	—	—	—	—	—

### Profile and Bearing Load Ratings

Bearing only Part No.	Profile		Max Static Radial Load on Profile F <sub>R</sub> kN		Max Static Axial Load on Profile F <sub>A</sub> kN		Dynamic Load Capacity of Radial Brg C kN	Static Load Capacity of Radial Brg C <sub>O</sub> kN	Dynamic Load Capacity of Axial Brg C <sub>A</sub> kN	Static Load Capacity of Axial Brg C <sub>OA</sub> kN
	U-Profile	I-Profile	U-Profile	I-Profile	U-Profile	U-Profile				
W-4.053	S	—	5.23	—	1.68	—	24.0	32.0	7	7
W-4.054	0 NbV	—	10.30	—	3.20	—	31.0	35.5	11	11
W-4.055	1 NbV	3018	12.40	12.40	3.87	3.87	45.5	51.0	13	14
W-4.056	2 NbV	—	12.90	—	4.00	—	48.0	56.8	18	18
W-4.057	—	3019	—	12.90	—	4.00	48.0	56.8	18	18
W-4.058	3 NbV	3020	22.40	22.40	7.00	7.00	68.0	72.0	23	23
W-4.059	—	2912	—	22.00	—	7.00	73.0	82.0	25	27
W-4.060	—	3100	—	23.80	—	7.44	81.0	95.0	31	36
W-4.061	4 NbV	—	23.80	—	7.44	—	81.0	95.0	31	36
W-4.062	5 NbV	3353	33.90	33.90	10.60	10.60	110.0	132.0	43	50
W-4.063	6 NbV	—	59.20	—	18.50	—	151.0	192.0	68	71

## Design Features of Winkel Combined Bearings & Profiles

### General Features of a Winkel Bearing & Profile System:

- Simple rugged design with minimal components
- Economical configuration of thrust and axial bearings in a single combined unit capable of high radial and axial loads
- Strong NbV Profiles capable of high static and dynamic loads
- Crowned outer races on both radial & axial bearings to accommodate misalignment & eliminate edge loading
- Variety of types allow axial and radial adjustment in profile.
- Several flange plate types to simplify mounting
- High temp and precision fit PR versions provide refined control
- Stock components can be modified into duplex bearing units on center pivot for increased load capability
- Vulkollan & Polyamide Rollers allow higher speed, quiet operation
- Most units allow re-greasing for extended operation
- Duralloy coating available for combined bearings and plasma galvanizing for profiles provide tough corrosion resistance
- Profiles to 12 meters are available, longer on request
- Gently curved profiles are possible
- Design support and load reviews are readily available

### General Technical Characteristics & Details

- Outer Rings are case-hardened Bearing Steel UNI16 CrNi 4 hardened to 62 +2 HRC, gently crowned for misalignment ability
- Inner Rings are from EN 31-SAE52100 Steel hardened to 62-2HRC
- Cylindrical Rollers have flat ground faces
- Bearing mounting studs are from C22E weld-able steel (Material No. 1.1151)
- Mounting Stud Tolerance -0.05mm
- Bearings Sizes from 4.054 to 4.063 can be re lubricated
- Standard Grease (Shell Alvania #3, Esso Beacon #3)
- Standard Allowable Temp Range -20°C to +80°C (-4°F to 176°F)
- High Temp (HT) Units incl. special seals & grease to 250°C (480°F)

### CAD/Drawing Models

- All downloads at [www.winkel.de](http://www.winkel.de) or via [www.ptintl.com](http://www.ptintl.com)

### Design Guidelines

- Design loads not to exceed F[N] max static for Profile. Choose Bearing to fit, check Bearing max Static Rating.
- Winkel Bearings are full complement cylindrical rollers and are lifetime lubricated for one shift and intermittent operation. Re-lubrication is suggested for an extended service life. M6 plugs are installed in the mounting stud. M6 Lube Fittings available on request.
- Bearings applied in harsh environments, such as dust, dirt, moisture, outdoor conditions, over 40°C (104°F), frequent load changes, or continuous operation, should be lubricated monthly.

### Manufacturing & Installation Guidelines

- When welding a bearing less than 100mm in diameter into a flange or frame, all bearing components must be removed from stud to avoid damage to grease and seals from the welding heat. Bearings over 100mm in diameter will have enough mass to handle the heat from welding. Monitor temperature so bearing does not exceed 65°C (150°F) during this process. Radial Bearing disassembles easily by removing cover plate screws. Gently remove rolling element assembly and any axial bearings, until bearing is cool. Re-secure face plate screws with Loctite when re-assembling.
- To avoid cracks in the welds, use welding electrodes and core wire for non-alloy steel. (Example: Electrode E42 5 B 42 H 10 according to DIN EN 499 and Core Wire: T 42 4 B C3 H5 / 7 42 4 B M 3 H5 according to DIN EN 758).
- Jumbo Bearings (above 150mm Diameter) should be welded on both sides of the stud/flange for max loading support.
- Profile surfaces where bearings will contact should be lightly greased and not painted.

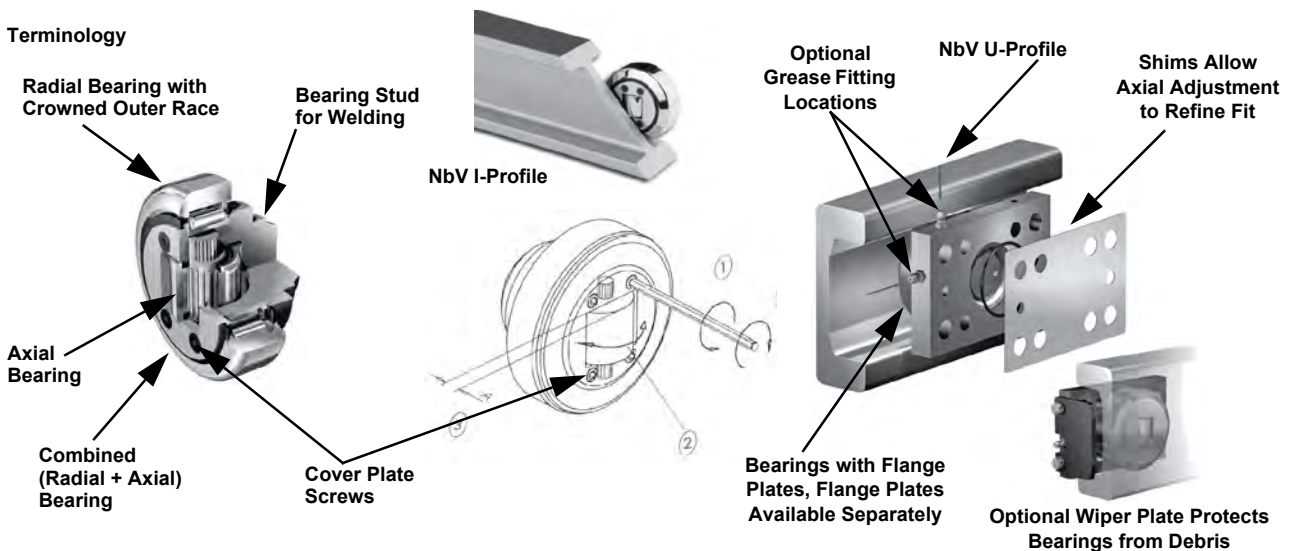
### System Solutions

- Complete Systems are available including from design thru installation support utilizing 3D Models, full load analysis, and full test at assembly prior to shipping.

### Videos

- Visit [www.winkel.de](http://www.winkel.de) or [www.ptintl.com](http://www.ptintl.com) for product and system videos

### Terminology



## Winkel U-Profile (S450 J2 Mod) with 30% Increased Load Capacity

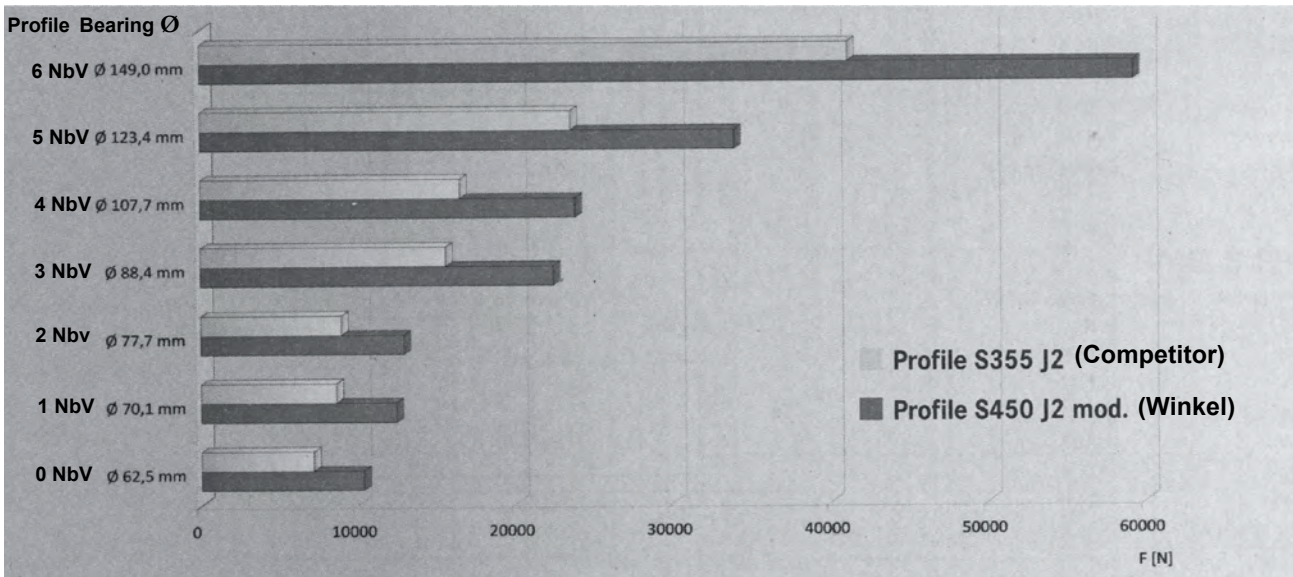
Winkel Profiles are from steel grade S450 J2 Mod. has significantly higher tensile, yield and allowable Hertzian pressure (roller contact pressure on profile) than the customary steel S355J2 material. This upgraded material allows Winkel profile to have a higher resistance to wear out, and may also allow smaller profile/bearing choices during selection. The Winkel profile is listed in the chart along with the com-

mon material within the industry. Most Winkel profiles are available in 12 Meter lengths and longer lengths available with mill runs. PTI stocks 6 meter lengths in Charlotte, NC and can provide cut to lengths on request. Galvanizing options can also be provided. Consult PTI for options.

Material	Yield Point 1 (Fig Thickness<20mm)	Yield Point 2 (Fig Thickness>20mm)	Tensile Strength	Elongation	Max Hertzian Pressure
S355 J2 (Competitor's Profile)	355 N/mm <sup>2</sup>	345 N/mm <sup>2</sup>	470-630 N/mm <sup>2</sup>	Min 22%	750 N/mm <sup>2</sup>
S450 J2 Mod. (Winkel NbV)	430 N/mm <sup>2</sup>	420 N/mm <sup>2</sup>	550-700 N/mm <sup>2</sup>	Min 19%	900 N/mm <sup>2</sup>

## Profile Load Ratings

Winkel NbV Profile material S450 J2 Mod. Alloy includes Vanadium /Niobium and had significantly higher tensile and yield strength. The fine-grained structure compared to the customary S355 J2 Material. The enhance material allows an increased bearing pressure (higher loads). Winkel Profile has improved wear resistance yet remains very weldable and may be plasma galvanized or hot dipped for added protection in moist environments.



## Profile and Bearing Load Ratings

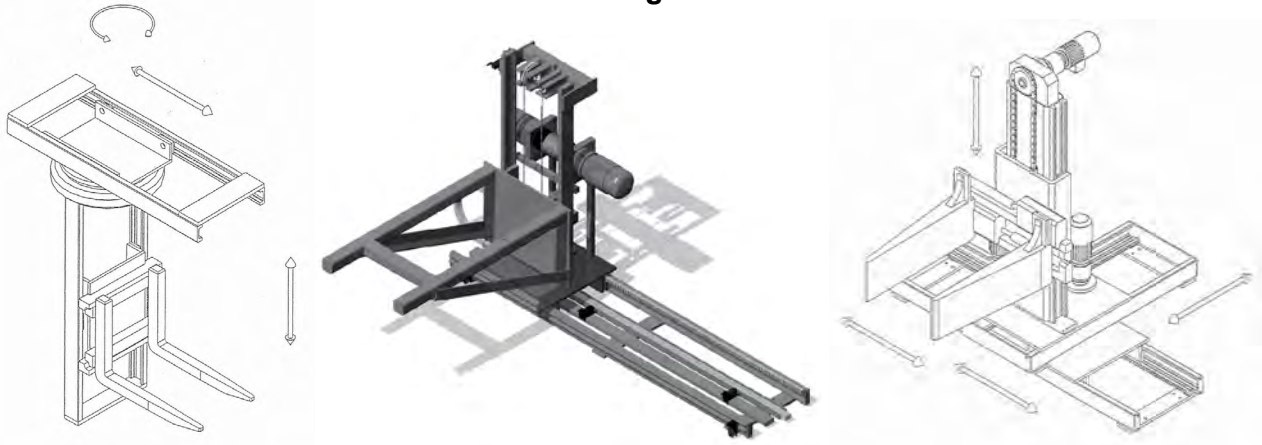
Bearing Part No.	Profile Radial Load allowed F <sub>R</sub> kN (S450J2 Mod)	Profile Axial Load allowed F <sub>A</sub> kN	Radial Bearing Dynamic Load Rating C kN	Radial Bearing Static Rating C <sub>0</sub> kN	Axial Bearing Dynamic Load Rating C <sub>A</sub> kN	Axial Bearing Static Load Rating C <sub>A0</sub> kN	Max Rpm	Profile Size
W-4.054	10.3	3.2	31.0	35.5	11	11	900	W-0 NbV
W-4.055	12.4	3.87	45.5	51.0	13	14	900	W-1 NbV / 3018 NbV
W-4.056	12.9	4.0	48.0	56.8	18	18	800	W-2 NbV
W-4.057	12.9	4.0	48.0	56.8	18	18	800	W-3019 NbV
W-4.058	22.4	7.0	68.0	72.0	23	23	750	W-3 NbV / 3020 NbV
W-4.059	22.0	7.0	73.0	82.0	25	27	700	W-2912 NbV
W-4.060	23.8	7.44	81.0	95.0	31	36	650	W-3100 NbV
W-4.061	23.8	7.44	81.0	95.0	31	36	650	W-4 NbV
W-4.062	33.9	10.6	110.0	132.0	43	50	550	W-5 NbV
W-4.063	59.2	18.5	151.0	192.0	68	71	450	W-6 NbV

# WINKEL Combined Bearings



## Typical Applications

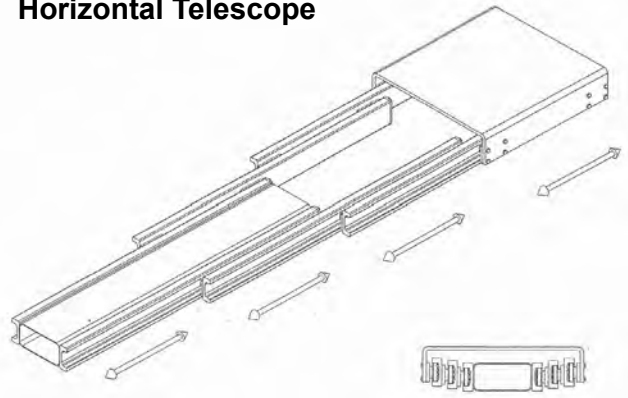
### Multi axis Handling Unit



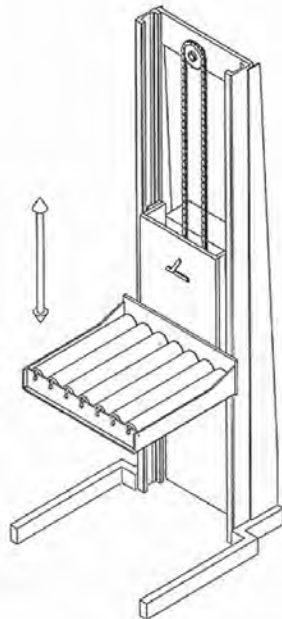
### Combined Bearings for Scissor Lift



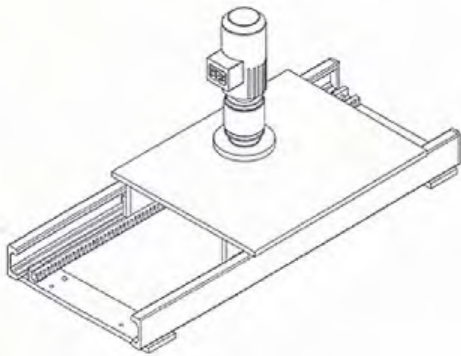
### Horizontal Telescope



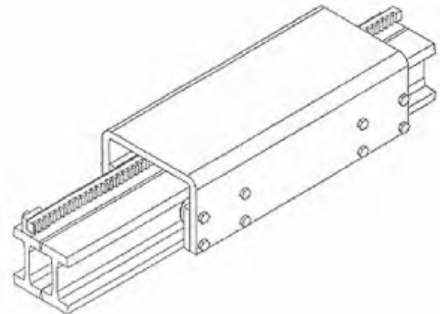
### Lifting Mechanism



### Rack and Pinion Drive



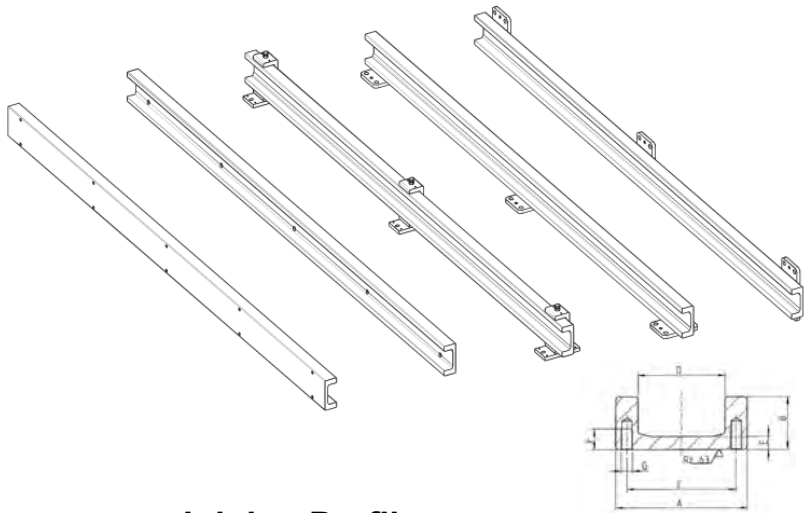
### Gear Rack Mechanism



## Anchoring Profiles

Profiles can be mounted to frames in many ways. Mounting holes can be drilled and tapped from the back side into the non-contact zones. Clamp Flanges or welded brackets may also be used to fix profiles. Profile welds easily into frames also.

Alignment of the profile is important to ensure the axial spacing is maintained and axial bearing pre-load will not occur. Final Alignment should be +0.5mm to +1.0mm max over the length prior to welding. Use adjustment shims to fine tune the axial spacing at assembly.

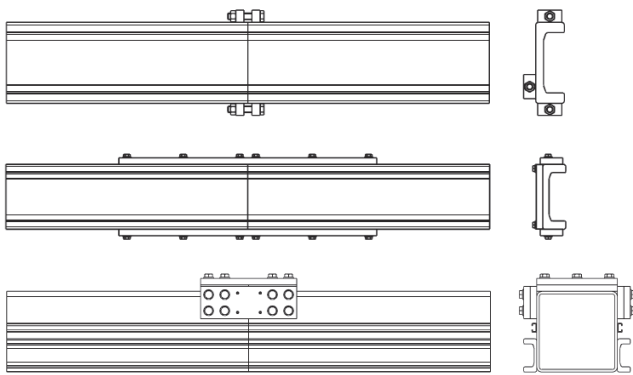


## Joining Profiles

Profiles can be joined in a variety of ways. Since they are hot-rolled, the joint may need light sanding or grinding to insure a smooth transition for bearings. Joint brackets can be welded to matching ends and dowels to help alignment. Clamping screws keep joints tight. Match marking ends allow quick portability and consistency in set up.

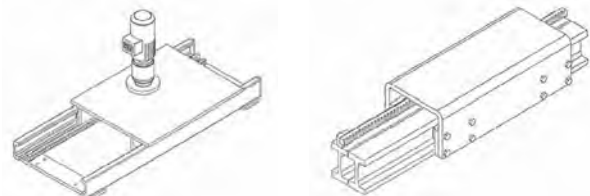
For permanent installation, joints should be chamfered and a weld bead added and ground level for a smooth transition.

For applications where the profiles do not join, a transition chamfer on all bearing contact surfaces will help gently receive the bearing as it "transitions to" the profiles. Multiple bearings are required for this type of transition and alignment care necessary for a smooth transition as bearings jump the gap.

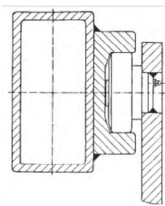


## Profile Orientations

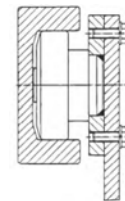
Profiles may be oriented or configured in a variety of ways. They are typically utilized as the frame for X, Y or Z-axis systems. Gear Racks fixed to profiles become the driven while the pinion is on the powered carriage. Telescoping systems are accomplished with nesting the profiles. Bearings can be bolted or welded directly to the profiles. Tall vertical or long horizontal systems frequently have additional frames available to fix the profiles.



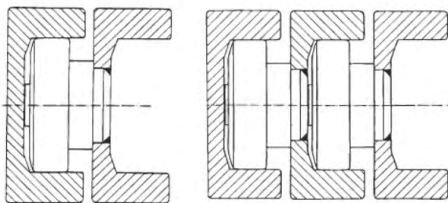
Rack and Pinion Drive Fastened to Profile



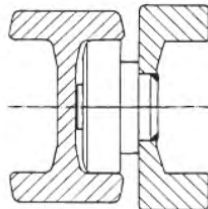
Combined Bearing Welded into Frame



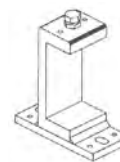
Combined Bearing with Flange Plate Bolted to Frame (popular)



U-Channel Telescoping Systems



I-Beam & U-Channel Telescoping

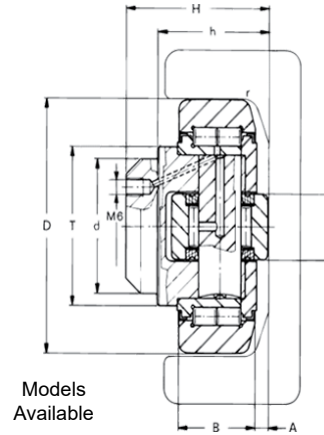
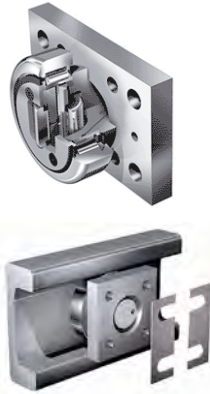


Clamp Flanges Fix U-Profile into position, additional brackets may be added as needed.

# WINKEL Combined Bearings



## Fixed Axial Bearing



Models Available

High Temp Units  
(to 480°F)  
Available on  
Request







## Standard Fixed Axial Bearing

Relubrication for sizes 4.054 thru 4.063

Bearing only Part No.	Bearing with Rectangular Flange Plate Part No.	Bearing with Square Flange Plate Part No.	Dimensions										Brg Wt. kg	Profile Part No.
			A mm	B mm	d (-0.05mm)	D* mm	h mm	H mm	r mm	S mm	T mm	RPM max		
W-4.053	W-4.053/APS	W-4.053/APS-Q	5	17	30	52.5	27	33	2	15	40	800	0.46	W-S
W-4.054	W-4.054/AP0	W-4.054/AP0-Q	2.5	20	30	62.5	30.5	37.5	3	20	42	900	0.53	W-0 NbV
W-4.055	W-4.055/AP1	W-4.055/AP1-Q	2.5	23	35	70.1	36	44	4	22	48	900	0.80	W-1 NbV W-3018 NbV
W-4.056	W-4.056/AP2	W-4.056/AP2-Q	3	23	40	77.7	36.5	48	4	26	54	800	1.00	W-2 NbV
W-4.057	**	**	3	23	40	77.7	29	40	4	26	53	800	0.87	W-3019 NbV
W-4.058	W-4.058/AP3.1	W-4.058/AP3-Q	3.5	30	45	88.4	44	57	3	26	59	750	1.62	W-3 NbV W-3020 NbV
W-4.059	**	**	3	28	50	101.2	33	46	3	30	67	700	1.74	W-2912 NbV
W-4.060	**	**	3	31	55	107.7	39	53	5	34	71	650	2.27	W-3100 NbV
W-4.061	W-4.061/AP4	W-4.061/AP4-Q	4	31	60	107.7	55	69	5	34	71	650	2.82	W-4 NbV
W-4.062	W-4.062/AP4	W-4.062/AP4-Q	5	37	60	123	56	72.3	5	40	80	550	3.89	W-5 NbV W-3353 NbV
W-4.063	W-4.063/AP6	W-4.063/AP6-Q	5.5	43	60	149	58.5	78.5	3	50	103	450	6.52	W-6 NbV

## Profile & Bearing Load Ratings

Models available: [www.winkel.de](http://www.winkel.de)

Bearing only Part No.	Profile		Max Static Radial Load on Profile F <sub>RkN</sub>		Max Static Axial Load on Profile F <sub>AkN</sub>		Dynamic Load Capacity of Radial Brg C kN	Static Load Capacity of Radial Brg C <sub>0</sub> kN	Dynamic Load Capacity of Axial Brg C <sub>A</sub> kN	Static Load Capacity of Axial Brg C <sub>0A</sub> kN
	U-Profile	I-Profile	U-Profile	I-Profile	U-Profile	I-Profile				
										
W-4.053	S	—	5.23	—	1.68	—	24.0	32.0	7	7
W-4.054	0 NbV	—	10.30	—	3.20	—	31.0	35.5	11	11
W-4.055	1 NbV	3018 NbV	12.40	12.40	3.87	3.87	45.5	51.0	13	14
W-4.056	2 NbV	—	12.90	—	4.00	—	48.0	56.8	18	18
W-4.057	—	3019 NbV	—	12.90	—	3.87	48.0	56.8	18	18
W-4.058	3 NbV	3020 NbV	22.40	22.40	7.00	7.00	68.0	72.0	23	23
W-4.059	—	2912 NbV	—	22.00	—	7.00	73.0	82.0	25	27
W-4.060	—	3100 NbV	—	23.80	—	7.44	81.0	95.0	31	36
W-4.061	4 NbV	—	23.80	—	7.44	—	81.0	95.0	31	36
W-4.062	5 NbV	3353 NbV	33.90	26.00	10.60	10.60	110.0	132.0	43	50
W-4.063	6 NbV	—	59.20	—	18.50	—	151.0	192.0	68	71

Note: \* OD has a slight crown to accommodate misalignments. \*\* Flange Plates available on request. Bearings with 2RS Seals.

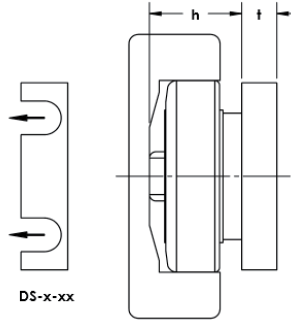
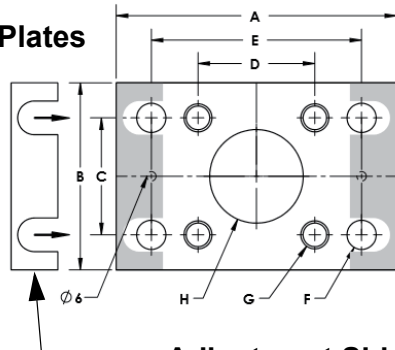
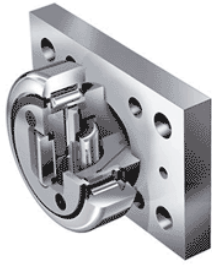
■ These sizes available in stainless (INOX), ratings will be lower.

# WINKEL Combined Bearings

## Fixed Axial Bearing



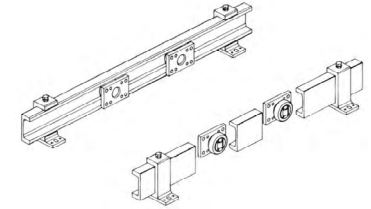
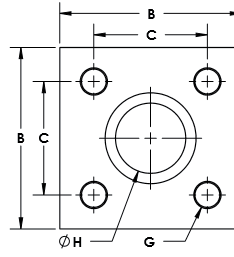
### Rectangular Flange Plates



### Square Flange Plates

### Adjustment Shim

### Clamp Flange



### Optional Flange Plates with Re-Lube Feature

### Flange Plate Detail

Bearing with Rectangular Flange Plate Part No.	Bearing with Square Flange Plate Part No.	Dimensions										Flange Plate Only	
		A mm	B mm	C mm	D mm	E mm	ØF mm	G	ØH mm	h mm	t mm	Rectangular Part No.	Square Part No.
W-4.053/APS	W-4.053/APS-Q	90	50	30	40	70	8.5	M8	30	27.0	10	W-APS	W-APS-Q
W-4.054/AP0	W-4.054/AP0-Q	100	60	40	40	80	10.5	M10	30	30.5	10	W-AP0	W-AP0-Q
W-4.055/AP1	W-4.055/AP1-Q	120	80	50	50	90	12.5	M12	35	36.0	15	W-AP1	W-AP1-Q
W-4.056/AP2	W-4.056/AP2-Q	120	80	50	50	90	12.5	M12	40	36.5	15	W-AP2	W-AP2-Q
W-4.058/AP3.1	—	160	100	60	60	120	17.0	M16	45	44.0	20	W-AP3.1	—
—	W-4.058/AP3-Q	—	120	90	—	—	—	M16	45	44.0	20	—	W-AP3-Q
W-4.061/AP4	W-4.061/AP4-Q	180	120	80	80	140	17.0	M16	60	55.0	20	W-AP4	W-AP4-Q
W-4.062/AP4	W-4.062/AP4-Q	180	120	80	80	140	17.0	M16	60	56.0	20	W-AP4	W-AP4-Q
W-4.063/AP6	W-4.063/AP6-Q	200	150	100	100	160	17.0	M16	60	58.5	20	W-AP6	W-AP6-Q

### Adjustment Shims for Flange Bearings

Bearing Size	0.5 mm Shim Part No.	1.0 mm Shim Part No.
W-4.053	W-DS-S-0.5	W-DS-S-1.0
W-4.054	W-DS-0-0.5	W-DS-0-1.0
W-4.055	W-DS-1-0.5	W-DS-1-1.0
W-4.056	W-DS-2-0.5	W-DS-2-1.0
W-4.058	W-DS-3-0.5	W-DS-3-1.0
W-4.061	W-DS-4-0.5	W-DS-4-1.0
W-4.062	W-DS-4-0.5	W-DS-4-1.0
W-4.063	W-DS-6-0.5	W-DS-6-1.0

### Clamp Flanges for Mounting Profile

Part No.	Profile Size
W-KF S	S
W-KF 0	0 NbV
W-KF 1	1 NbV
W-KF 2	2 NbV
W-KF 3	3 NbV
W-KF 4	4 NbV

See Clamp Flange Section for Dimensions

### Precision Fixed Axial Bearings requires Precision Profile

Bearing Only Part No. *	Bearing with Rectangular Flange Part No.	Bearing with Square Flange Part No.	D Bearing OD	Profile Size
W-PR4.054	W-PR4.054/AP0	W-PR4.054/AP0-Q	64.8	W-PR0 NbV
W-PR4.055	W-PR4.055/AP1	W-PR4.055/AP1-Q	73.8	W-PR1 NbV
W-PR4.056	W-PR4.056/AP2	W-PR4.056/AP2-Q	81.8	W-PR2 NbV
W-PR4.058	W-PR4.058/AP3.1	W-PR4.058/AP3-Q	92.8	W-PR3 NbV
W-PR4.061	W-PR4.061/AP4	W-PR4.061/AP4-Q	111.8	W-PR4 NbV
W-PR4.062	W-PR4.062/AP4	W-PR4.062/AP4-Q	127.8	W-PR5 NbV
W-PR4.063	W-PR4.063/AP6	W-PR4.063/AP6-Q	153.8	W-PR6 NbV

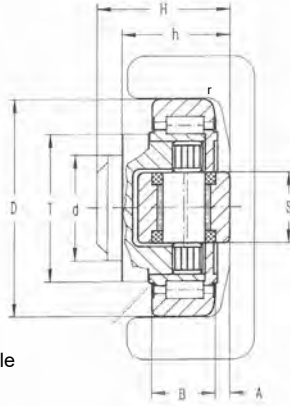
Note: \*Precision (PR) Bearing fit within the profile is more precise.

# WINKEL Combined Bearings

## Adjustable Eccentric Axial Bearing

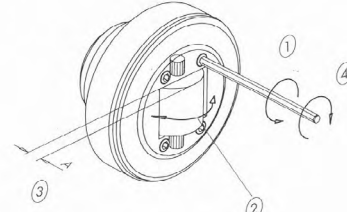


Models Available



### Adjusting The Eccentric Axial Bearing

Size W-4.455 thru W-4.463. All with 2RS Seals.



1. Loosen screws. Remove cover.
2. Turn axial bearing (eccentric axial will be turned).
3. Check distance A and Repeat Step 2 as needed.
4. Retighten screws to secure cover.

Special Stud Extensions available on request.  
Bearings are lubricated for life

### Standard Adjustable Eccentric Axial Bearing

Bearing only Part No.	Bearing with Rectangular Flange Part No.	Bearing with Square Flange Part No.	Dimensions										Wt. kg	Profile Part No.
			A mm	B mm	d (-0.05mm)	D* mm	h mm	H mm	r mm	S mm	T mm	RPM max		
W-4.454	W-4.454/AP0	W-4.454/AP0-Q	4-5.5	20.0	30	62.5	30.5-32	37.5-39	3	20	42	900	0.53	W-0NbV
W-4.455	W-4.455/AP1	W-4.455/AP1-Q	4-5.5	23.0	35	70.1	36-37.5	44-45.5	4	20	48	800	0.80	W-1NbV W-3018
W-4.456	W-4.456/AP2	W-4.456/AP2-Q	3.5-5	23.0	40	78.0	37-38.5	48-49.5	4	26	54	800	1.00	W-2NbV
W-4.457	**	**	3.5-5	23.0	40	78.3	29-30.5	40-41.5	4	26	54	800	0.87	W-3019
W-4.458	W-4.458/AP3.1	W-4.458/AP3-Q	4-5.5	30.0	45	88.4	44-45.5	57-58.5	4	26	59	750	1.62	W-3NbV W-3020
W-4.459	**	**	4.5-6.5	26.0	50	101.6	33-35	46-48	3	30	69	700	1.74	W-2912
W-4.460	**	**	4-6	31.0	55	108.5	40-42	54-56	5	30	69	650	2.27	W-3100
W-4.461	W-4.461/AP4	W-4.461/AP4-Q	4-6	31.0	60	107.7	55-57	69-71	5	30	69	650	2.82	W-4NbV
W-4.462	W-4.462/AP4	W-4.462/AP4-Q	5-9	37.0	60	123.0	56-60	72.3-76.3	5	34	80	550	3.60	W-5NbV W-3353
W-4.463	W-4.463/AP6	W-4.463/AP6-Q	6-10	45.0	60	149.4	58.5-62.5	78.5-82.5	3	34	108	450	6.30	W-6NbV
W-4.085	—	W-4.085/AP90-Q	6.5-9.5	57.3	100	180.0	76.3-79.3	95.7-98.7	3	60	124	100	11.50	W-8NbV

### Profile & Bearing Load Ratings

Models Available: [www.winkel.de](http://www.winkel.de)

Bearing only Part No.	Profile		Max Static Radial Load on Profile F <sub>RkN</sub>		Max Static Axial Load on Profile F <sub>AkN</sub>		Dynamic Load Capacity of Radial Brg C kN	Static Load Capacity of Radial Brg C <sub>0</sub> kN	Dynamic Load Capacity of Axial Brg C <sub>A</sub> kN	Static Load Capacity of Axial Brg C <sub>0A</sub> kN
	U-Profile	I-Profile	U-Profile	I-Profile	U-Profile	I-Profile				
W-4.454	0 NbV	—	10.30	—	3.20	—	31.0	35.5	11	11
W-4.455	1 NbV	3018NbV	12.40	11.30	3.87	3.87	45.5	51.0	11	11
W-4.456	2 NbV	—	12.90	—	4.00	—	48.0	56.8	18	18
W-4.457	—	3019NbV	—	11.72	—	4.00	48.0	56.8	18	18
W-4.458	3 NbV	3020NbV	22.40	20.47	7.00	7.00	68.0	72.0	23	23
W-4.459	—	2912NbV	—	22.00	—	7.00	73.0	82.0	25	27
W-4.460	—	3100NbV	—	23.80	—	7.44	81.0	95.0	31	36
W-4.461	4 NbV	—	23.80	—	7.44	—	81.0	95.0	31	36
W-4.462	5 NbV	3353NbV	33.90	26.00	10.60	10.60	110.0	132.0	43	50
W-4.463	6 NbV	—	59.20	—	18.50	—	151.0	192.0	68	71
W-4.085	8 NbV	—	76.00	—	23.70	—	207.0	243.0	73	83

Note: \* OD has a slight crown to accommodate misalignments. \*\* Flange Plates available on request.

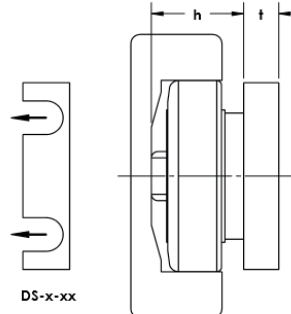
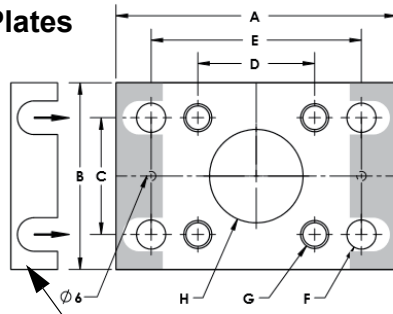


# WINKEL Combined Bearings

## Adjustable Eccentric Axial Bearing



### Rectangular Flange Plates

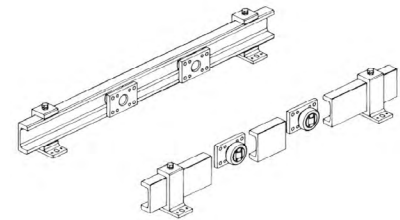
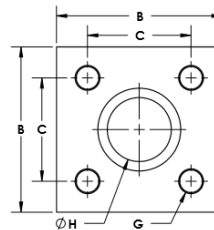


### Square Flange Plates



### Adjustment Shim

### Clamp Flange



### Flange Plate Detail

Bearing with Rectangular Flange Plate Part No.	Bearing with Square Flange Plate Part No.	Dimensions										Flange Plate Only	
		A mm	B mm	C mm	D mm	E mm	ØF mm	G	ØH mm	h mm	t mm	Rectangular Part No.	Square Part No.
W-4.454/AP0	W-4.454/AP0-Q	100	60	40	40	80	10.5	M10	30	30.5-32.0	10	W-AP0	W-AP0-Q
W-4.455/AP1	W-4.455/AP1-Q	120	80	50	50	90	12.5	M12	35	36.0-37.5	15	W-AP1	W-AP1-Q
W-4.456/AP2	W-4.456/AP2-Q	120	80	50	50	90	12.5	M12	40	37.0-38.5	15	W-AP2	W-AP2-Q
W-4.458/AP3.1	—	160	100	60	60	120	17.0	M16	45	44.0-45.5	20	W-AP3.1	—
—	W-4.458/AP3-Q	—	120	90	—	—	—	M16	45	44.0-45.5	20	—	W-AP3-Q
W-4.461/AP4	W-4.461/AP4-Q	180	120	80	80	140	17.0	M16	60	55.0-57.0	20	W-AP4	W-AP4-Q
W-4.462/AP4	W-4.462/AP4-Q	180	120	80	80	140	17.0	M16	60	56.0-60.0	20	W-AP4	W-AP4-Q
W-4.463/AP6	W-4.463/AP6-Q	200	150	100	100	160	17.0	M16	60	58.5-62.5	20	W-AP6	W-AP6-Q
—	W-4.485/AP90-Q	—	190	150	—	—	—	M20	100	64.5-67.5	28	—	W-AP90-Q

### Adjustment Shims for Flange Bearings

Bearing Size	0.5 mm Shim Part No.	1.0 mm Shim Part No.
W-4.454	W-DS-0-0.5	W-DS-0-1.0
W-4.455	W-DS-1-0.5	W-DS-1-1.0
W-4.456	W-DS-2-0.5	W-DS-2-1.0
W-4.458	W-DS-3-0.5	W-DS-3-1.0
W-4.461	W-DS-4-0.5	W-DS-4-1.0
W-4.462	W-DS-4-0.5	W-DS-4-1.0
W-4.463	W-DS-6-0.5	W-DS-6-1.0
W-4.485	W-DS-90-0.5	W-DS-90-1.0

### Clamp Flanges for Mounting Profile

Part No.	Profile Size
W-KF 0	0 NbV
W-KF 1	1 NbV
W-KF 2	2 NbV
W-KF 3	3 NbV
W-KF 4	4 NbV

See Clamp Flange Section for Dimensions

### Precision Adjustable Eccentric Axial Bearings requires Precision Profile

Bearing Only Part No. *	Bearing with Rectangular Flange Part No.	Bearing with Square Flange Part No.	D Bearing OD	Profile Size
W-PR4.454	W-PR4.454/AP0	W-PR4.454/AP0-Q	64.8	W-PR0 NbV
W-PR4.455	W-PR4.455/AP1	W-PR4.455/AP1-Q	73.8	W-PR1 NbV
W-PR4.456	W-PR4.456/AP2	W-PR4.456/AP2-Q	81.8	W-PR2 NbV
W-PR4.458	W-PR4.458/AP3.1	W-PR4.458/AP3-Q	92.8	W-PR3 NbV
W-PR4.461	W-PR4.461/AP4	W-PR4.461/AP4-Q	111.8	W-PR4 NbV
W-PR4.462	W-PR4.462/AP4	W-PR4.462/AP4-Q	127.8	W-PR5 NbV
W-PR4.463	W-PR4.463/AP6	W-PR4.463/AP6-Q	153.8	W-PR6 NbV
W-PR4.485	—	W-PR4.485/AP90-Q	184.8	W-PR8 NbV

Note: \*Precision (PR) Bearing fit within the profile is more precise.

# WINKEL Combined Bearings



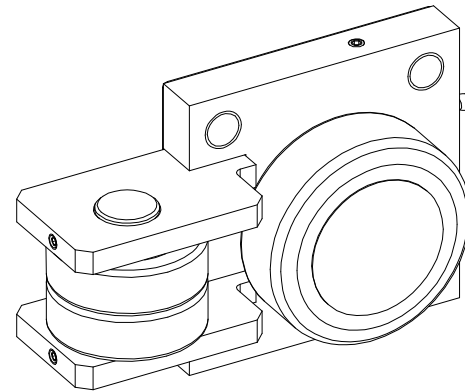
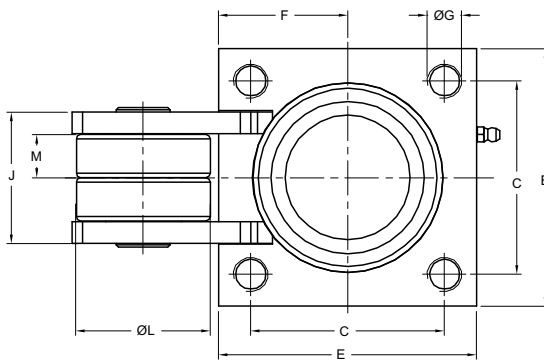
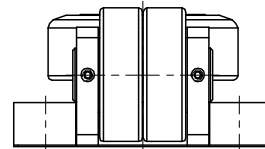
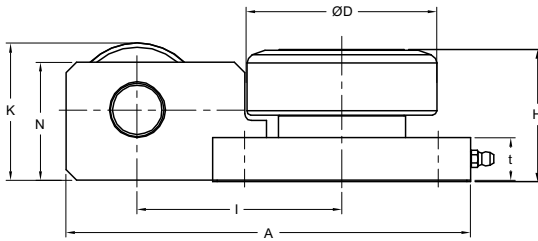
## Heavy Duty

### Type 3.054 - 3.063



#### Features:

- Maximum resistance against contamination for heavy duty applications in material handling, foundry, steel and refuse handling.
- Radial bearing grease fitting on flange.
- Axial bearings are shock resistant ball bearings with -2RS seals, lubricated for life.
- Axial adjustment with shims.
- For high speed application up to 2 m/sec.
- Included is a M6 grease nipple, O-ring and 2 pcs. of 0.5mm shim.



For selection, determine the profile size first based on allowable loads, then determine the bearing size from what fits within the profile.

See Profile Selection page and Criteria.



Models Available: [www.winkel.de](http://www.winkel.de)

Part No.	Dimensions (mm)														Profile	F <sub>R</sub> kN	F <sub>A</sub> kN	RPM Max	Wt. kg
	A	B	C	D	E	F	G	H	I	J	K	L	M	N					
W-3.054	118	60	40	62.5	75	45	M10	38.5	66	37.2	40.5	40.0	16 (1)	35	W-0Nb	10.3	3.2	900	1.4
W-3.055	135	80	50	70.1	95	55	M12	49.0	73	53.2	52.0	40.0	16 (2)	45	W-1Nb	12.4	3.87	900	2.3
W-3.056	135	80	50	77.7	95	55	M12	49.0	73	53.2	52.0	40.0	16 (2)	45	W-2Nb	12.9	4.00	800	2.6
W-3.058	188	120	90	88.4	120	60	M16	61.0	95	61.2	64.0	62.4	20 (2)	55	W-3Nb	22.4	7.00	750	5.5
W-3.061	193	120	90	107.7	125	65	M16	71.5	100	61.2	75.0	62.4	20 (2)	63	W-4Nb	23.8	7.44	650	6.8
W-3.062	240	120	80	123.0	165	105	M16	71.5	143	69.2	76.0	70.0	22 (2)	70	W-5Nb	33.9	10.60	550	9.6
W-3.063	265	150	100	149.0	190	115	M16	73.5	153	69.2	78.4	70.0	22 (2)	70	W-6Nb	59.2	18.50	450	13.6

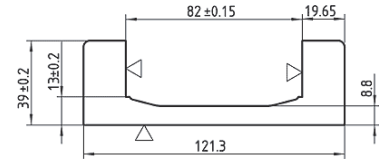
Note: F<sub>R</sub> = Max Load capacity of Radial Bearing allowed on profile, F<sub>A</sub> = Max Axial load capacity of Thrust Bearing allowed on profile. Units to fit Precision Profile available on request.

## Precision Fit Bearings

Precision Linear Motion Systems requires minimal clearance between the combined bearing and profile. Precision fit Bearings and Profiles are readily available. PR Bearings are normal stock. PR Profile is machined per order from Standard Profile. Standard Profile is machined on the faces indicated in the photo on the right. Our custom CNC milling centers will machine profile up to 12 meters in length in a continuous pass. The precision fit bearings have a slightly larger outer race and provide for a more precision fit. Each profile is fine

straightened prior to machining. Often the back face of the profile is machined to create the base reference for the mil.

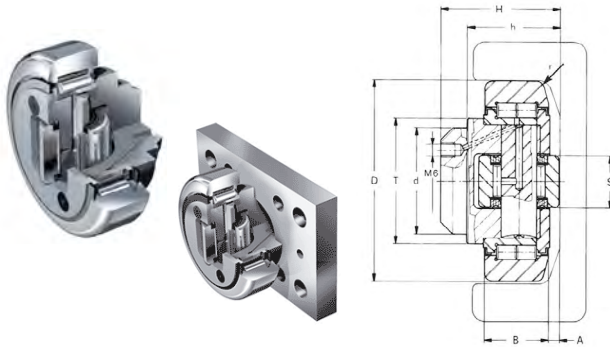
Machined precision Profiles are packed in wooden crates for protection of the machined surfaces during shipping.



All Winkel Combined Bearings in Steel are available in a PR version (slightly larger outer race). The more popular units are listed below. The Precision Profile and Precision Combined

Bearings have approximately 0.3mm of radial clearance between bearing and profile. Load Ratings are the same as the Standard Combined Bearings.

## Fixed Axial Bearing



PR Fixed Axial Comb. Bearing Part No.	PR Fixed Axial with Flange Plate Part No.	PR Fixed Axial with Square Flange Plate Part No.	D
W-PR4.054	W-PR4.054/AP0	W-PR4.054/AP0-Q	64.8
W-PR4.055	W-PR4.055/AP1	W-PR4.055/AP1-Q	73.8
W-PR4.056	W-PR4.056/AP2	W-PR4.056/AP2-Q	81.8
W-PR4.058	W-PR4.058/AP3.1	W-PR4.058/AP3.1-Q	92.8
W-PR4.061	W-PR4.061/AP4	W-PR4.061/AP4-Q	111.8
W-PR4.062	W-PR4.062/AP5	W-PR4.062/AP5-Q	127.8
W-PR4.063	W-PR4.063/AP6	W-PR4.063/AP6-Q	153.8

Note: Other dimensions are the same as standard units

## Axial Adjustable Bearing

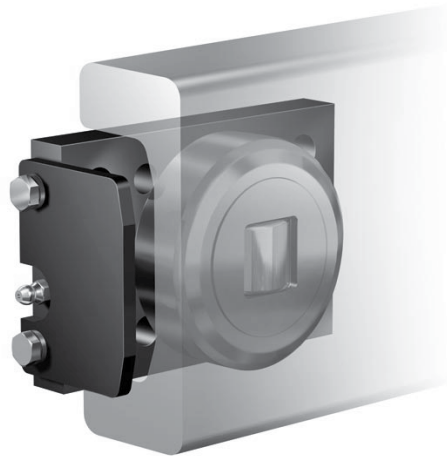


PR Fixed Axial Comb. Bearing Part No.	PR Fixed Axial with Flange Plate Part No.	PR Fixed Axial with Square Flange Plate Part No.	D
W-PR4.054	W-PR4.054/AP0	W-PR4.054/AP0-Q	64.8
W-PR4.055	W-PR4.055/AP1	W-PR4.055/AP1-Q	73.8
W-PR4.056	W-PR4.056/AP2	W-PR4.056/AP2-Q	81.8
W-PR4.058	W-PR4.058/AP3.1	W-PR4.058/AP3.1-Q	92.8
W-PR4.061	W-PR4.061/AP4	W-PR4.061/AP4-Q	111.8
W-PR4.062	W-PR4.062/AP5	W-PR4.062/AP5-Q	127.8
W-PR4.063	W-PR4.063/AP6	W-PR4.063/AP6-Q	153.8

## Heavy Duty Combined Bearing



PR Fixed Axial Comb. Bearing Part No.	D
W-PR4.054	64.8
W-PR4.055	73.8
W-PR4.056	81.8
W-PR4.058	92.8
W-PR4.061	111.8
W-PR4.062	127.8
W-PR4.063	153.8



## Polyamide Wiper Assembly for AP-LUB Flange Plates

Wipers may be added to standard Flange Plates.

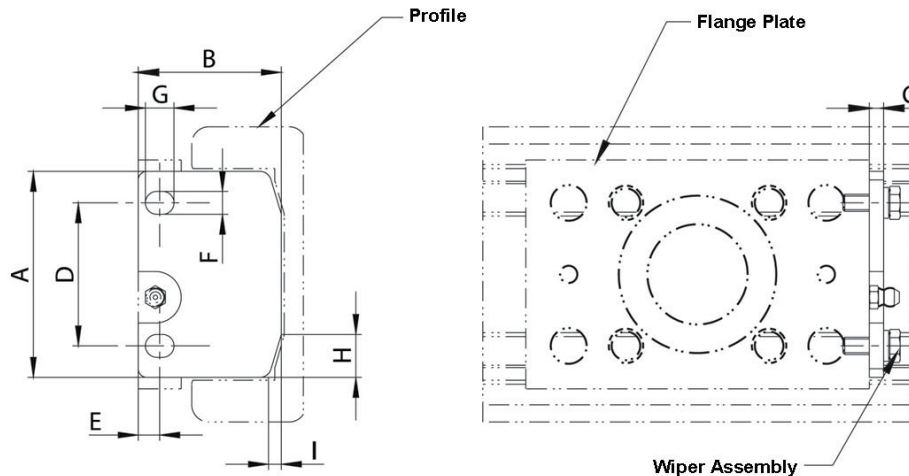
Wipers are adjustable. Fits all standard Winkel NbV U-profiles.

Mounting hardware included.

Keeps contaminants away from the radial and axial bearings and keeps the profile clear of debris.

Two Polyamide Wipers are required for each flange plate. Wipers sold separately.

LUB Flange plates also stocked separately and can be welded to most every Winkel combined bearing. Each are pre-drilled and tapped for wipers.

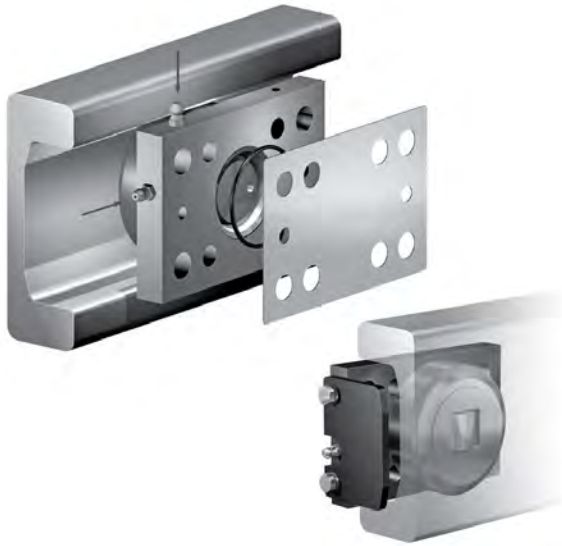


Dimensions in mm

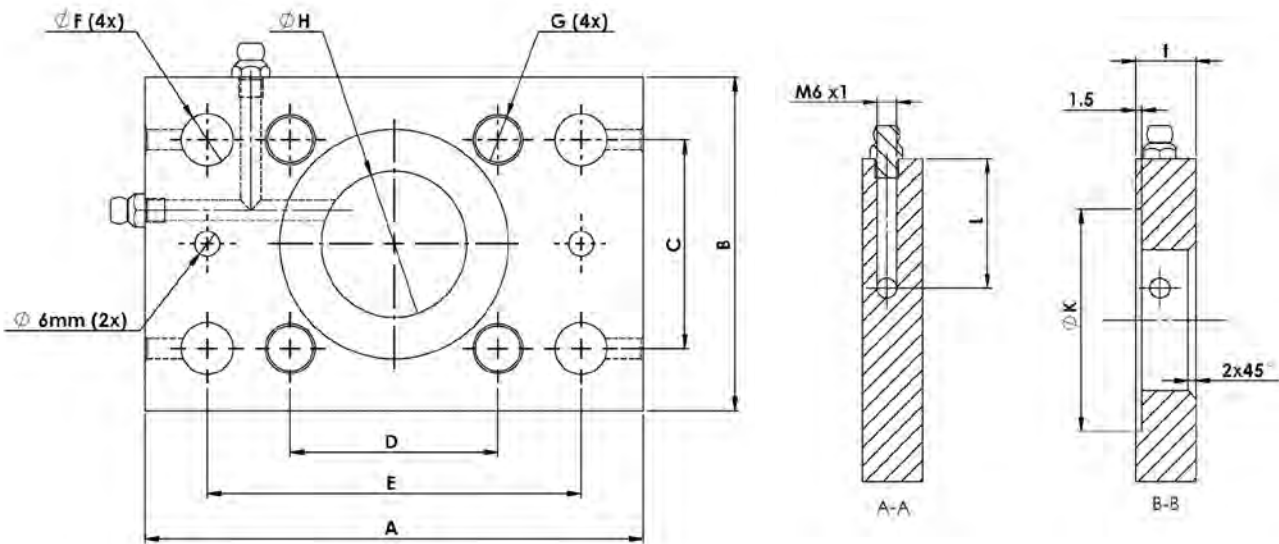
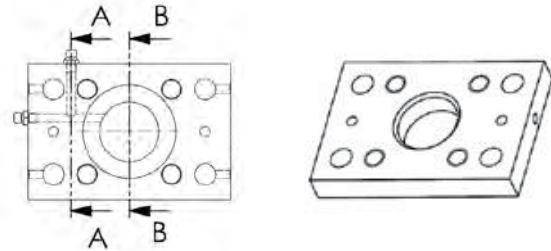
Part No.*	Dimensions										Fits Flange Plate No.	Profile No.	Wt. (kg)
	A	B	C	D	E	F	G	H	I				
W-AS4.054-LUB	61	40.0	5	38	7.5	7	10	14	3	W-AP0-LUB	W-0 NbV	0.35	
W-AS4.055-LUB	69	50.0	5	50	7.5	8	10	14	5	W-AP1-LUB	W-1 NbV	0.90	
W-AS4.056-LUB	77	50.5	5	50	7.5	8	10	14	5	W-AP2-LUB	W-2 NbV	0.85	
W-AS4.058-LUB	88	63.0	5	60	10	10	15	14	5	W-AP3-LUB	W-3 NbV	2.35	
W-AS4.061-LUB	105	73.0	5	80	10	12	15	14	5	W-AP4-LUB	W-4 NbV	2.65	
W-AS4.052-LUB	120	74.0	5	80	10	12	15	14	5	W-AP4-LUB	W-5 NbV	2.65	
W-AS4.063-LUB	146	76.5	5	100	10	12	15	19	5	W-AP6-LUB	W-6 NbV	4.0	

Note: Wipers also available for PR (Precision) Profile. Request W-PR AS4.054-LUB, etc \*Requires 2 per flange.

# WINKEL Flange Plates with Edge Re-Lube



Winkel Rectangular Flange Plates are available with lubrication access on the flange edge. Each is drilled and tapped to receive a wiper kit. Flange Plate kits include back plate, O-ring and 1 shim for sealing and axial adjustment. The Flange Plate can be provided ready to install welded to the Combined Bearing. Also stocked separately. Material S235 JR. (C1015). Epoxy coated for corrosion protection. As an option, Flange Plates can be provided without a back opening and Edge Lube as well.



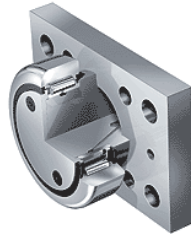
Part No.	Dimensions											Fits Combined Bearing No.*	Wt. (kg)
	A	B	C	D	E	F	G	H	K	L	t		
W-AP0-LUB	100	60	40	40	80	10.5	M10	30	45	22	10	W-4.054, W-2.054	0.35
W-AP1-LUB	120	80	50	50	90	12.5	M12	35	55	32	15	W-4.055, W-2.055	0.90
W-AP2-LUB	120	80	50	50	90	12.5	M12	40	55	32	15	W-4.056, W-2.056	0.85
W-AP3.1-LUB	160	100	60	60	120	17	M16	45	66	42	20	W-4.058, W-2.058	2.35
W-AP4-LUB	180	120	80	80	140	17	M16	60	85	52	20	W-4.061, W-4.062, W-2.061, W-2.062	2.65
W-AP6-LUB	200	150	100	100	160	17	M16	60	85	67	20	W-4.063, W-2.063	4.00

\* Note: other combined bearings also adapt to these flanges, most popular combinations are noted in the table. Others on request.

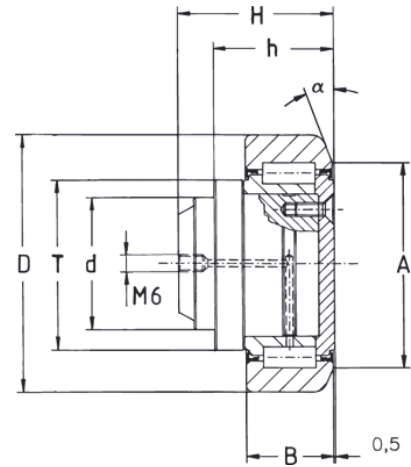
## Radial Bearing



With Square Flange



With Rectangular Flange

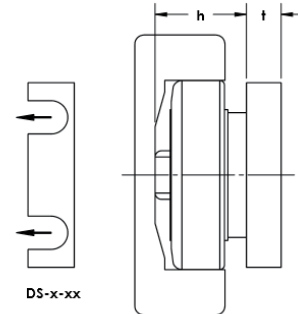
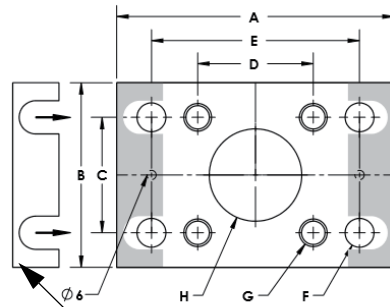
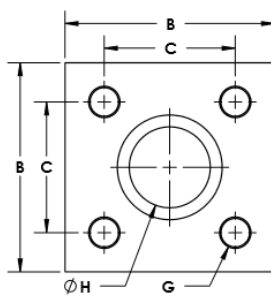


W-2.054 thru W-2.063 can be relubricated

Models Available: [www.winkel.de](http://www.winkel.de)

Bearing only Part No.	Bearing with Rectangular Flange Part No.	Bearing with Square Flange Part No.	Dimensions								Ratings				Wt. kg	Flange Plates Part No. *	Profile Part No.
			A mm	$\alpha$ deg	B mm	D mm	d (-0.05mm)	H mm	h mm	T mm	C kN	C <sub>0</sub> kN	F <sub>R</sub> kN	RPM max			
W-2.054	W-2.054/AP0	W-2.054/AP0-Q	50	20°	20	62.5	30	36.5	28.5	42	31	35.5	9.4	900	0.55	W-AP0	W-0 NbV
W-2.055	W-2.055/AP1	W-2.055/AP1-Q	57	20°	23	70.1	35	42	34	48	45.5	51	11.3	900	0.80	W-AP1	W-1 NbV
W-2.056	W-2.056/AP2	W-2.056/AP2-Q	61	20°	23	77.7	40	45.5	34	53	48	56.8	11.7	800	1.05	W-AP2	W-2 NbV
W-2.058	W-2.058/AP3.1	W-2.058/AP3-Q	68	20°	30	88.4	45	54	41	59	68	72	20.5	750	1.70	W-AP3.1	W-3 NbV
W-2.061	W-2.061/AP4	W-2.061/AP4-Q	82	20°	31	107.7	60	65.5	51.5	71	81	95	21.7	650	2.90	W-AP4	W-4 NbV
W-2.062	W-2.062/AP4	W-2.062/AP4-Q	92	20°	37	123	60	67.8	51.5	80	110	132	30.9	550	4.00	W-AP4	W-5 NbV
W-2.063	W-2.063/AP6	W-2.063/AP6-Q	116	15°	45	149	60	74	54	103	151	192	54.0	450	6.70	W-AP6	W-6 NbV

Note: \*For Square Flange Plate, add -Q to the part no.



Adjustment Shim

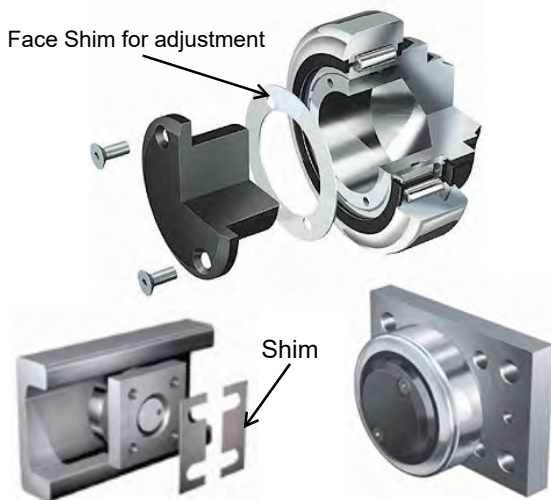
Part No. with Rectangular Flange Plate	Part No. with Square Flange Plate	Dimensions (mm)										Adjustment Shim t = 0.5mm	Adjustment Shim t = 1.0mm
		A	B	C	D	E	ØF	G	ØH	s	t		
W-2.054/AP0	W-2.054/AP0-Q	100	60	40	40	80	10.5	M10	30	30.5	10	W-DS-0-0.5	W-DS-0-1.0
W-2.055/AP1	W-2.055/AP1-Q	120	80	50	50	90	12.5	M12	35	36	15	W-DS-1-0.5	W-DS-1-1.0
W-2.056/AP2	W-2.056/AP2-Q	120	80	50	50	90	12.5	M12	40	36.5	15	W-DS-2-0.5	W-DS-2-1.0
W-2.058/AP3.1	—	160	100	60	60	120	17.0	M16	45	44	20	W-DS-3.1-0.5	W-DS-3.1-1.0
—	W-4.058/AP3-Q	—	120	90	—	—	—	M16	45	44	20	W-DS-3-0.5	W-DS-3-1.0
W-2.061/AP4	W-2.061/AP4-Q	180	120	80	80	140	17.0	M16	60	56	20	W-DS-4-0.5	W-DS-4-1.0
W-2.062/AP6	W-2.062/AP6-Q	200	150	100	100	160	17.0	M16	60	58.5	20	W-DS-6-0.5	W-DS-6-1.0
W-2.063/AP4	W-2.063/AP4-Q	180	120	80	80	140	17.00	M16	60	56	20	W-DS-4-0.5	W-DS-4-1.0

Models Available: [www.winkel.de](http://www.winkel.de)

# WINKEL Combined Bearings

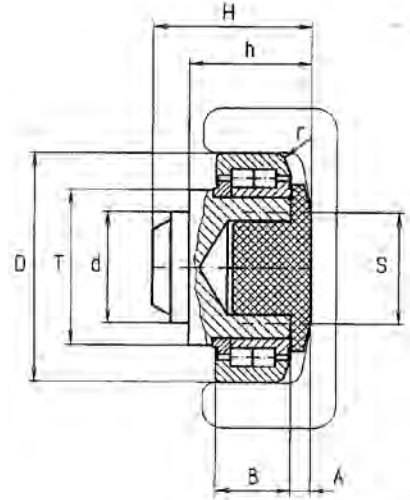


## Oilamide Thrust Bearing with Shim



The Oilamide Thrust Bearing is a high resistant self-lubricant Polyamide within a standard Cylindrical Roller bearing, ideal for thrust loads.

The adjustment of dimension (A) is obtained by means of a Face Washer positioned between the main body of the bearing and the polyamide insert. Face Washers (0.5mm and 1.0mm thickness) are available if adjustment is required.

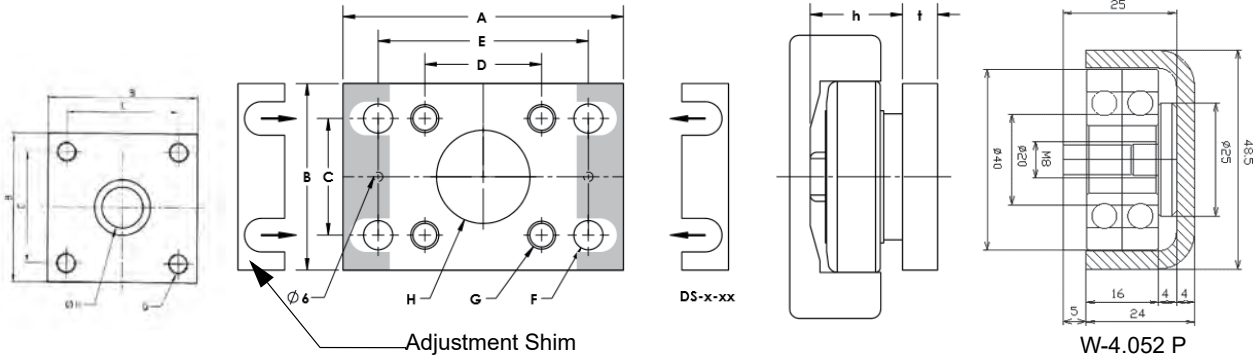


With Square Flange

With Rectangular Flange

Models Available: [www.winkel.de](http://www.winkel.de)

Bearing only Part No.	Dimensions									Ratings					Wt. kg	Rectangular Flange Plates Part No.	Profile Part No.
	A mm	B mm	D mm	d (-0.05mm)	H mm	h mm	r mm	S mm	T mm	C kN	C <sub>O</sub> kN	F <sub>R</sub> kN	F <sub>A</sub> kN	RPM max			
W-4.052 P	4.0	16	40	20	25	—	—	20	—	10	5.7	0.8	3.1	800	0.15	W-APA	W-A
W-4.072 P	5.5	20	62.5	30	43	33	3	25	42	31	35.5	9.4	4.0	900	0.49	W-AP0	W-0 NbV
W-4.073 P	6.5	23	70.1	35	48	40	4	33	48	45.5	51	11.3	6.7	800	0.74	W-AP1	W-1 NbV
W-4.074 P	7	23	78.1	40	50.5	39.5	4	40	54	48	56.8	11.7	7.2	700	0.94	W-AP2	W-2 NbV
W-4.076 P	7	30	88.4	45	61	48	3	45	59	68	72	20.5	8.9	600	1.57	W-AP3	W-3 NbV
W-4.0784 P	8	31	107.7	60	69	55	5	60	71	81	95	21.7	14.4	500	2.63	W-AP4	W-4 NbV
W-4.079 P	8	37	123	60	75.5	59.5	5	70	80	110	132	30.9	38.4	500	3.90	W-AP4	W-5 NbV
W-4.080 P	8	45	149	60	82	62	5	100	103	151	192	54.0	41.6	400	6.5	W-AP6	W-6 NbV
W-4.085 P	10	57.3	180	100	99.2	79.8	5	112	124	207	243	76.0	41.6	200	11.5	W-AP90-Q	W-8 NbV



Part No. with Rectangular Flange Plate	Part No. with Square Flange Plate	Dimensions (mm)										Adjustment Shim t = 0.5mm	Adjustment Shim t = 1.0mm	Face Shim 0.5 mm Part No.	Face Shim 1.0 mm Part No.
		A	B	C	D	E	ØF	G	ØH	h	t				
W-4.072P/AP 0	W-4.072P/AP0-Q	100	60	40	40	80	10.50	M10	30	33	10	W-DS-0-0.5	W-DS-0-1.0	W-S-4.072-0.5	W-S-4.072-1.0
W-4.073P/AP 1	W-4.073P/AP1-Q	120	80	50	50	90	12.50	M12	35	40	15	W-DS-1-0.5	W-DS-1-1.0	W-S-4.073-0.5	W-S-4.073-1.0
W-4.074P/AP 2	W-4.074P/AP2-Q	120	80	50	50	90	12.50	M12	40	39.5	15	W-DS-2-0.5	W-DS-2-1.0	W-S-4.074-0.5	W-S-4.074-1.0
W-4.076P/AP 3.1	—	160	100	60	60	120	17.00	M16	45	48	20	W-DS-3.1-0.5	W-DS-3.1-1.0	W-S-4.076-0.5	W-S-4.076-1.0
—	W-4.076P/AP3-Q	—	120	90	—	—	—	M16	45	44.0	20	W-DS-3-0.5	W-DS-3-1.0	—	—
W-2.0784P/AP 4	W-4.0784P/AP4-Q	180	120	80	80	140	17.00	M16	60	55	20	W-DS-4-0.5	W-DS-4-1.0	W-S-4.0784-0.5	W-S-4.0784-1.0
W-2.079P/AP 4	W-4.079P/AP4-Q	180	120	80	80	140	17.00	M16	60	59.5	20	W-DS-4-0.5	W-DS-4-1.0	W-S-4.079-0.5	W-S-4.079-1.0
W-2.080P/AP6	W-4.080P/AP6-Q	200	150	100	100	160	17.00	M16	60	62	20	W-DS-6-0.5	W-DS-6-1.0	W-S-4.080-0.5	W-S-4.080-1.0

# WINKEL Combined Bearings



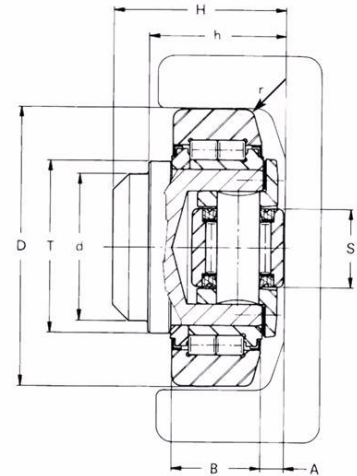
## Shim Adjustable Axial Bearing



The adjustment of dimension A is obtained by means of a face washer (spacer) between the main body of the bearing and the back face of the thrust bearing surface. Face Washers 0.5mm and 1mm thick are available.

For Face Washers specify size and thickness.

Part No. W-S4.072-xx. Where xx is the Face Washer thickness of 0.5 or 1.0. Bearings are lubricated for life.



## Shim Adjustable Axial Bearing

Models Available: [www.winkel.de](http://www.winkel.de)

Bearing only Part No.	Bearing with Rectangular Flange Plate Part No.	Bearing with Square Flange Plate Part No.	Dimensions										Brg Wt. kg	Profile Part No.
			A mm	B mm	d (-0.05mm)	D* mm	h mm	H mm	r mm	S mm	T mm	RPM max		
W-4.072	W-4.072/AP0	W-4.072/AP0-Q	5.5	20	30	62.5	33	43	3	16	42	900	0.56	W-0 NbV
W-4.073	W-4.073/AP1	W-4.073/AP1-Q	6.5	23	35	70.1	40	48	4	16	48	800	0.85	W-1 NbV W-3018 NbV
W-4.074	W-4.074/AP2	W-4.074/AP2-Q	7	23	40	78.1	39.5	50.5	4	21	54	700	1.02	W-2 NbV
W-4.075	**	**	7	23	40	77.7	34	45	4	21	54	700	0.92	W-3019 NbV
W-4.076	W-4.076/AP3.1	W-4.076/AP3-Q	7	30	45	88.4	48	61	3	21	59	600	1.69	W-3 NbV
W-4.077	**	**	7	28	50	101.2	37.5	50.5	3	21	67	600	1.85	W-2912 NbV
W-4.078	**	**	8	31	55	107.7	44.5	58.5	5	33	71	500	2.38	W-3100 NbV
W-4.0784	W-4.0784/AP4	W-4.0784/AP4-Q	8	31	60	107.7	55	69	5	33	71	500	2.80	W-4 NbV
W-4.079	W-4.079/AP4	W-4.079/AP4-Q	8	37	60	123	59.5	75.5	5	33	80	500	4.08	W-5 NbV W-3353 NbV
W-4.080	W-4.080/AP6	W-4.080/AP6-Q	15.0	45	60	149	69	89	5	50	103	400	6.70	W-6 NbV

Note: \* OD has a slight crown to accommodate misalignments. \*\* Flange Plates available on request.

## Profile & Bearing Load Ratings

Bearing only Part No.	Profile		Max Static Radial Load on Profile F <sub>R</sub> kN		Max Static Axial Load on Profile F <sub>A</sub> kN		Dynamic Load Capacity of Radial Brg C kN	Static Load Capacity of Radial Brg C <sub>0</sub> kN	Dynamic Load Capacity of Axial Brg C <sub>A</sub> kN	Static Load Capacity of Axial Brg C <sub>0A</sub> kN
	U-Profile	I-Profile	U-Profile	I-Profile	U-Profile	I-Profile				
W-4.072	0 NbV	—	5.23	—	1.68	—	31.0	35.5	8	8
W-4.073	1 NbV	3018 NbV	10.30	—	3.20	—	45.5	51.0	14	14
W-4.074	2 NbV	—	12.40	12.40	3.87	3.87	48.0	56.8	14	14
W-4.075	—	3019 NbV	—	12.90	4.00	—	48.0	56.8	14	14
W-4.076	3 NbV	3020 NbV	22.40	22.40	—	3.87	68.0	72.0	15	15
W-4.077	—	2912 NbV	—	22.00	7.00	7.00	73.0	82.0	18	19
W-4.078	—	3100 NbV	—	23.80	—	7.00	81.0	95.0	31	36
W-4.0784	4 NbV	—	23.80	—	7.44	7.44	81.0	95.0	31	36
W-4.079	5 NbV	3353 NbV	33.90	33.90	10.60	—	110.0	132.0	35	38
W-4.080	6 NbV	—	59.20	—	18.50	10.60	151.0	192.0	68	71

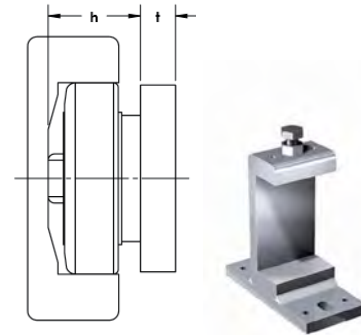
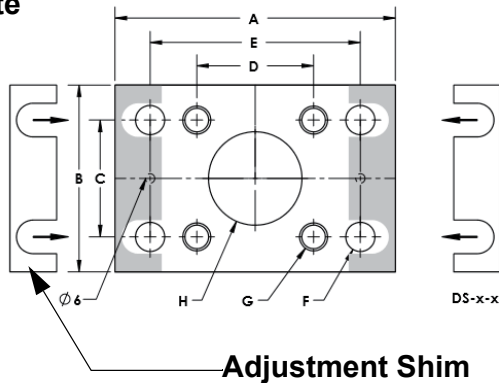


# WINKEL Combined Bearings

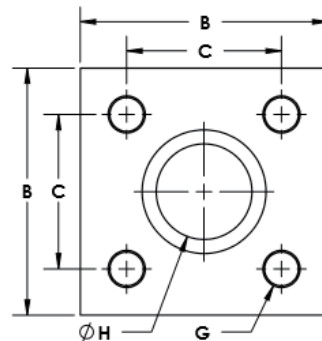
## Shim Adjustable Axial Bearing



### Rectangular Flange Plate



### Square Flange Plate



### Adjustment Shim

### Clamp Flange



### Flange Plate Detail

Bearing with Rectangular Flange Plate Part No.	Bearing with Square Flange Plate Part No.	Dimensions										Flange Plate Only	
		A mm	B mm	C mm	D mm	E mm	ØF mm	G	ØH mm	h mm	t mm	Rectangular Part No.	Square Part No.
W-4.072/AP0	W-4.072/AP0-Q	100	60	40	40	80	10.5	M10	30	30.5	10	W-AP0	W-AP0-Q
W-4.073/AP1	W-4.073/AP1-Q	120	80	50	50	90	12.5	M12	35	36.0	15	W-AP1	W-AP1-Q
W-4.074/AP2	W-4.074/AP2-Q	120	80	50	50	90	12.5	M12	40	36.5	15	W-AP2	W-AP2-Q
W-4.076/AP3.1	—	160	100	60	60	120	17.0	M16	45	44.0	20	W-AP3.1	—
—	W-4.076/AP3-Q	—	120	90	—	—	—	M16	45	44.0	20	—	W-AP3-Q
W-4.0784/AP4	W-4.0784/AP4-Q	180	120	80	80	140	17.0	M16	60	55.0	20	W-AP4	W-AP4-Q
W-4.079/AP4	W-4.079/AP4-Q	180	120	80	80	140	17.0	M16	60	56.0	20	W-AP4	W-AP4-Q
W-4.080/AP6	W-4.080/AP6-Q	200	150	100	100	160	17.0	M16	60	58.5	20	W-AP6	W-AP6-Q

### Adjustment Shims for Flange Bearings

Bearing Size	Adjustment 0.5 mm Shim Part No.	Adjustment 1.0 mm Shim Part No.	Face Shim 0.5 mm Part No.	Face Shim 1.0 mm Part No.
W-4.072	W-DS-0-0.5	W-DS-0-1.0	W-S-4.072-0.5	W-S-4.072-1.0
W-4.073	W-DS-1-0.5	W-DS-1-1.0	W-S-4.073-0.5	W-S-4.073-1.0
W-4.074	W-DS-2-0.5	W-DS-2-1.0	W-S-4.074-0.5	W-S-4.074-1.0
W-4.076	W-DS-3-0.5	W-DS-3-1.0	W-S-4.076-0.5	W-S-4.076-1.0
W-4.0784	W-DS-4-0.5	W-DS-4-1.0	W-S-4.0784-0.5	W-S-4.0784-1.0
W-4.079	W-DS-4-0.5	W-DS-4-1.0	W-S-4.079-0.5	W-S-4.079-1.0
W-4.080	W-DS-6-0.5	W-DS-6-1.0	W-S-4.080-0.5	W-S-4.080-1.0

### Clamp Flanges for Mounting Profile

Part No.	Profile Size
W-KF 0	0 NbV
W-KF 1	1 NbV
W-KF 2	2 NbV
W-KF 3	3 NbV
W-KF 4	4 NbV

See Clamp Flange page for Dimensions.

# WINKEL Combined Bearings



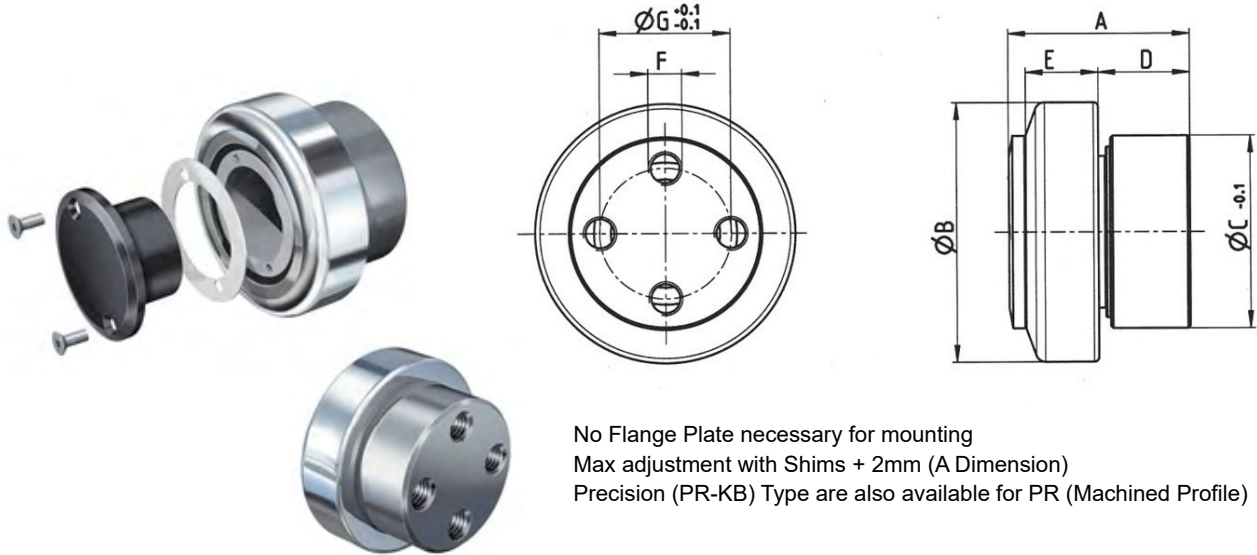
## Type KB-P Combined Bolt with Oilamide Thrust Insert

Compact Mounting

Axially Adjustable with Shims

Stud can be Welded or Bolted

Oilamide Insert - Self Lubricating Polyamide



No Flange Plate necessary for mounting  
 Max adjustment with Shims + 2mm (A Dimension)  
 Precision (PR-KB) Type are also available for PR (Machined Profile)

Part No.	Dimensions							Shim Part No. 0.5mm	Shim Part No. 1.0mm
	A	B	C	D	E	F	G		
W-KB 4.072 P	43.0	62.5	50	17.5	20	M10X13	30	W-S-4.072-0.5	W-S-4.072-1.0
W-KB 4.073 P	55.0	70.1	60	25.5	23	M12X18	40	W-S-4.073-0.5	W-S-4.073-1.0
W-KB 4.074 P	54.5	78.1	60	24.5	23	M12X18	40	W-S-4.074-0.5	W-S-4.074-1.0
W-KB 4.076 P	68.0	88.4	70	31.0	30	M14X20	44	W-S-4.076-0.5	W-S-4.076-1.0
W-KB 4.0784 P	75.0	107.7	80	36.0	31	M14X22	54	W-S-4.0784-0.5	W-S-4.0784-1.0
W-KB 4.079 P	79.2	123.0	100	34.2	37	M16X23	60	W-S-4.079-0.5	W-S-4.079-1.0
W-KB 4.080 P	89.0	149.0	120	29.0	45	M16X23	80	W-S-4.080-0.5	W-S-4.080-1.0

Part No.	Profile Max Static Radial Load $F_R$ kN	Profile Max Static Axial Load $F_A$ kN	Dynamic Load Capacity of Radial Brg C kN	Static Load Capacity of Radial Brg $C_O$ kN	RPM max	Wt. kg	Profile Size
W-KB 4.072 P	10.30	4.0	31.0	35.5	900	0.65	0 NbV
W-KB 4.073 P	12.40	6.7	45.5	51.0	800	1.00	1 NbV
W-KB 4.074 P	12.90	7.2	48.0	56.8	700	1.10	2 NbV
W-KB 4.076 P	22.40	8.9	68.0	72.0	600	1.93	3 NbV
W-KB 4.0784 P	23.80	14.4	81.0	95.0	500	3.00	4 NbV
W-KB 4.079 P	33.90	38.9	110.0	132.0	500	4.72	5 NbV
W-KB 4.080 P	39.50	41.6	151.0	192.0	400	7.80	6 NbV

# WINKEL Combined Bearings

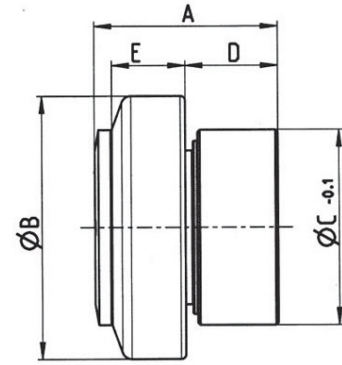
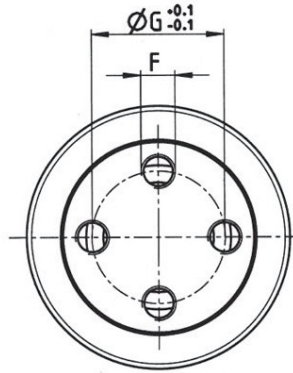


## Type KB Combined Bolt

Compact Mounting

Axially Adjustable with Shims

Stud can be Welded or Bolted



No Flange Plate necessary for mounting  
 Max adjustment with Shims + 2mm (A Dimension)  
 Precision (PR-KB) Type are also available for PR (Machined Profile)

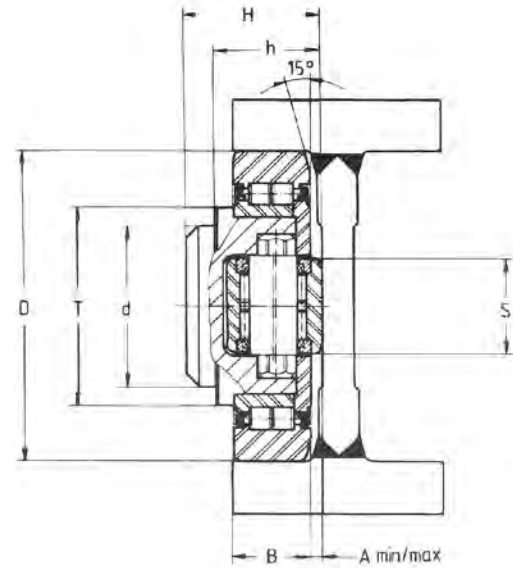
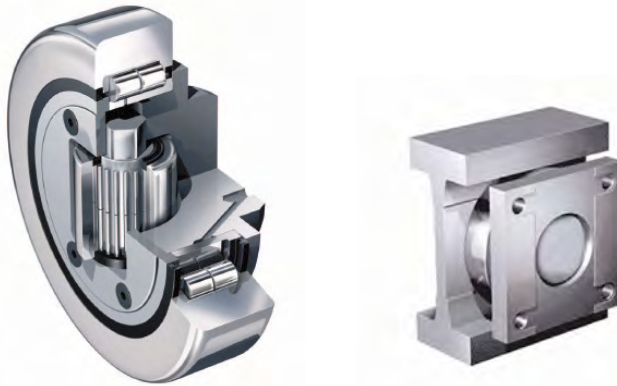
Part No.	Dimensions							Shim Part No. 0.5mm	Shim Part No. 1.0mm
	A	B	C	D	E	F	G		
W-KB 4.072	43.0	62.5	50	17.5	20	M10X13	30	W-S-4.072-0.5	W-S-4.072-1.0
W-KB 4.073	55.0	70.1	60	25.5	23	M12X18	40	W-S-4.073-0.5	W-S-4.073-1.0
W-KB 4.074	54.5	78.1	60	24.5	23	M12X18	40	W-S-4.074-0.5	W-S-4.074-1.0
W-KB 4.076	68.0	88.4	70	31.0	30	M14X20	44	W-S-4.076-0.5	W-S-4.076-1.0
W-KB 4.0784	75.0	107.7	80	36.0	31	M14X22	54	W-S-4.0784-0.5	W-S-4.0784-1.0
W-KB 4.079	79.2	123.0	100	34.2	37	M16X23	60	W-S-4.079-0.5	W-S-4.079-1.0
W-KB 4.080	89.0	149.0	120	29.0	45	M16X23	80	W-S-4.080-0.5	W-S-4.080-1.0

Part No.	Profile Max Static Radial Load $F_R$ kN	Profile Max Static Axial Load $F_A$ kN	Dynamic Load Capacity of Radial Brg $C$ kN	Static Load Capacity of Radial Brg $C_0$ kN	Dynamic Load Capacity of Axial Brg $C_A$ kN	Static Load Capacity of Axial Brg $C_{0A}$ kN	RPM max	Wt. kg	Profile Size
W-KB 4.072	10.30	3.20	31.0	35.5	8	8	900	0.65	0 NbV
W-KB 4.073	12.40	3.87	45.5	51.0	14	14	800	1.10	1 NbV
W-KB 4.074	12.90	4.00	48.0	56.8	14	14	700	1.20	2 NbV
W-KB 4.076	22.40	7.00	68.0	72.0	15	15	600	2.05	3 NbV
W-KB 4.0784	23.80	7.44	81.0	95.0	31	36	500	3.20	4 NbV
W-KB 4.079	33.90	10.60	110.0	132.0	35	38	500	4.90	5 NbV
W-KB 4.080	39.50	18.50	151.0	193.0	68	71	400	8.00	6 NbV

# WINKEL Jumbo Combined Bearings



## Axial Bearing Adjustable



The adjustment of dimension A is obtained by removing the face plate and turning the eccentric shaft of the thrust bearing. The shaft contains an offset and has 8 adjustment positions. The radial bearing can be relubricated.

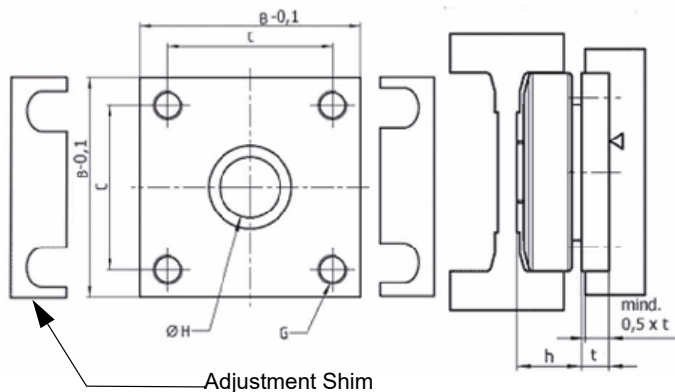
Jumbo Bearings with Oilamide Insert are available on request.

Models Available: [www.winkel.de](http://www.winkel.de)

Bearing Only Part No.	Dimensions								Profile Ratings		Bearing Ratings					Wt. kg	Flange Plate Part No.	Profile Part No. *
	A mm	B mm	D mm	d (-0.05mm)	H mm	h mm	S mm	T mm	F <sub>R</sub> kN	F <sub>A</sub> kN	C kN	C <sub>O</sub> kN	C <sub>A</sub> kN	C <sub>OA</sub> kN	RPM max			
W-4.085	6.5-9.5	57.3	180	100	95.7-98.7	76.3-79.3	60	124	76.0	22.8	207	243	73	83	100	11.5	W-AP 90-Q	W-8 NbV
W-4.089	5.0-8.0	40	165	80	69.0-72.0	53.0-56.0	50	113	41.7	13.9	213	388	85	133	120	9.2	W-AP 89-Q	W-10 NbV
W-4.090	6.5-9.5	48	190	100	84.5-87.5	64.5-67.5	60	124	58.0	19.4	266	500	100	180	100	10.6	W-AP 90-Q	W-16 NbV
W-4.091	6.5-9.5	58	220	110	94.5-97.5	74.5-77.5	75	146	84.0	28.0	326	681	138	257	90	17.3	W-AP 91-Q	W-18 NbV
W-4.092	7.0-10.0	60	250	120	102.0-105.0	77.0-80.0	75	168	101.5	33.9	369	748	138	257	75	23.9	W-AP 92-Q	W-28 NbV
W-4.093	7.5-11.5	72	280	150	119.5-123.5	89.5-93.5	90	188	139.4	46.5	489	1066	182	488	50	36.0	W-AP 93-Q	W-36 NbV W-42 NbV
W-4.094	10.0-14.0	85	320	150	135.0-139.0	110.0-114.0	85	218	192.0	57.7	542	1370	210	422	50	50	W-AP 93-Q	W-50 NbV

Note: \*Profiles W-10 NbV and larger are fabricated. Assembly part number example...W-4.089/AP89Q.

## Flange Plates



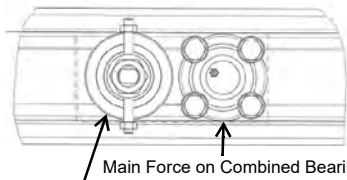
Flange Plate Part No.	Dimensions (mm)					
	B	C	G	ØH	h	t
W-AP 89-Q	165	125	M20	80	53.0-56.0	23
W-AP 90-Q (4.085 + W-AP 90-Q)	190	150	M20	100	64.5-67.5 (76.0-79.3)	28
W-AP 91-Q	220	176	M24	110	74.5-77.5	33
W-AP 92-Q	250	206	M24	120	77.0-80.0	37
W-AP 93-Q	280	220	M30	150	89.5-93.5	37

# WINKEL Combined Bearings

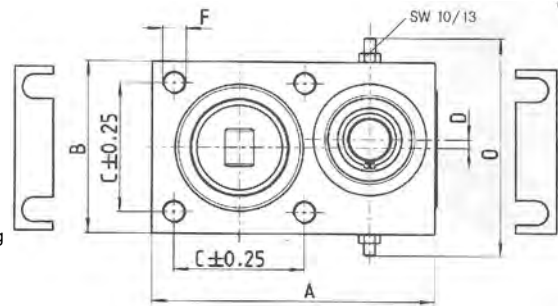
## Type JC Adjusting Unit For Standard Profiles



Introduction



Adjustable Radial Bearing  
Removes System Clearance



Mounted Ball Bearings

SRE / SR2 Spherical Bearings

SAF / Plummer Blocks

Brg. Accessories, Radial Ball, & EICH Bearings

Rod Ends & Spherical Plain Bearings

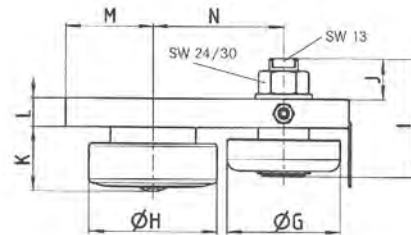
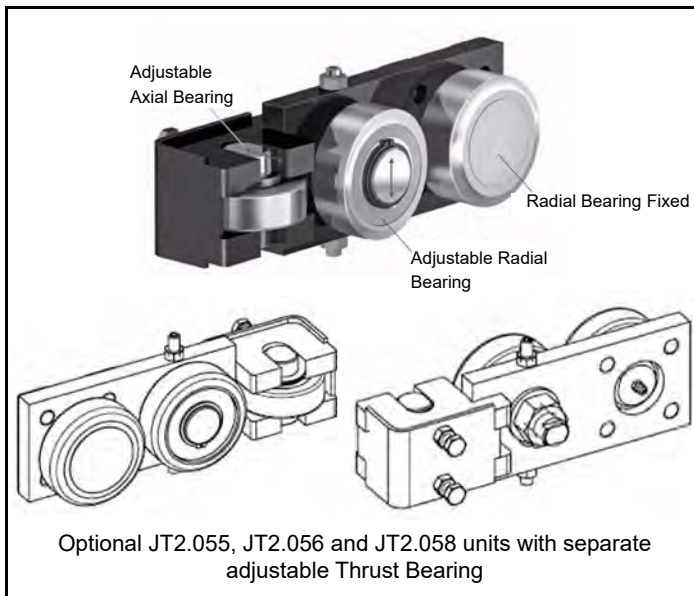
Roller Chain & Sprockets

Bushings & Hubs

Gears & Racks

Belt Drives / Couplings

Linear Motion / WINKEL



### Assembly / Adjusting

- Secure the unit by the flange plate and within the profile.
- The position of the adjustable bearing must be at the opposite direction from the load.
- The main forces should be on the radial bearing of the Combined Bearing.
- The adjustable bearing can be adjusted and finally secured.
- Set adjustable bearing to the top raceway with a clearance of 0.05 to 0.10mm.

Models Available: [www.winkel.de](http://www.winkel.de)

Bearing Part No.	Dimensions													
	A mm	B mm	C mm	+/- D mm	F mm	G mm	H mm	I mm	J mm	K mm	L mm	M mm	N mm	O mm
W-JC 4.054	140	60	40	8	M10	62.4	62.5	64	24	30.5	10	30	72.0	80
W-JC 4.055	170	80	50	10	M12	70.0	70.1	82	33	36.0	15	40	83.5	102
W-JC 4.056	170	80	50	10	M12	78.0	77.7	82	33	36.5	15	40	83.5	102
W-JC 4.058	195	120	90	20	M16	78.0	88.4	82	28	44.0	20	60	90.0	152
W-JC 4.061	240	120	80	20	M16	101.6	107.7	98	29	55.0	20	60	120.0	150
W-JC 4.062	240	120	80	20	M16	101.6	123.0	98	29	56.0	20	60	120.0	150
W-JC 4.063	265	150	100	35	M16	101.6	149.0	98	29	58.5	20	75	130.0	170

Bearing Part No.	Profile Max Static Radial Load $F_R$ kN	Profile Max Static Axial Load $F_A$ kN	Dynamic Load Capacity of Radial Brg C kN	Static Load Capacity of Radial Brg $C_0$ kN	Dynamic Load Capacity of Axial Brg $C_A$ kN	Static Load Capacity of Axial Brg $C_{0A}$ kN	RPM max	Wt. kg	Profiles
W-JC 4.054	10.3	3.20	31.0	35.5	11	11	900	1.65	W-0NbV
W-JC 4.055	12.4	3.87	45.5	51.0	13	14	900	2.95	W-1NbV
W-JC 4.056	12.9	4.00	48.0	56.8	18	18	800	3.30	W-2NbV
W-JC 4.058	22.4	7.00	68.0	72.0	23	23	750	5.80	W-3NbV
W-JC 4.061	23.8	7.44	81.0	95.0	31	36	650	8.75	W-4NbV
W-JC 4.062	33.9	10.60	110.0	132.0	43	50	550	9.75	W-5NbV
W-JC 4.063	59.2	18.50	151.0	192.0	68	71	450	13.90	W-6NbV

# WINKEL Single Profiles



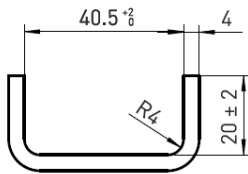
## Standard NbV U Series



All profiles from 0 NbV thru 8 NbV are from S450 J2 Modified in lengths to 12 meters. Longer lengths are available on request. PTI typically stocks 6 meter lengths for the ease of handling and will provide cut to length on request.

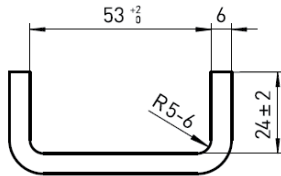
The NbV Series offers higher load capacities. The radial clearance between the bearing and profile is approximately 1mm for the standard profile. For reduced radial clearance, see Precision Bearings and Profiles.

Models Available: [www.winkel.de](http://www.winkel.de)



**Part No.: W-A** Standard Profile. Wt. 2.6 kg/m

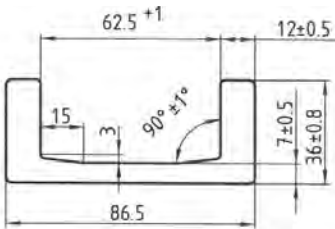
Area: 3.3 cm<sup>2</sup>      ey: 0.8 cm  
 Wx: 4.4 cm<sup>3</sup>      lx: 10.6 cm<sup>4</sup>  
 Wy: 1.0 cm<sup>3</sup>      ly: 1.7 cm<sup>4</sup>



**Part No.: W-S** Standard Profile. Wt. 5.3 kg/m

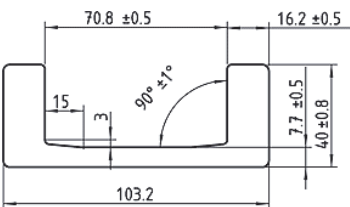
Area: 6.4 cm<sup>2</sup>      ey: 1.0 cm  
 Wx: 11.9 cm<sup>3</sup>      lx: 35.4 cm<sup>4</sup>  
 Wy: 2.5 cm<sup>3</sup>      ly: 5.0 cm<sup>4</sup>

Also available in  
Stainless



**Part No.: W-0 NbV** Standard Profile. Wt. 10.5 kg/m

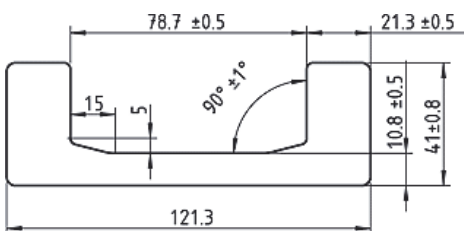
Area: 13.4 cm<sup>2</sup>      ey: 1.3 cm  
 Wx: 32 cm<sup>3</sup>      lx: 137 cm<sup>4</sup>  
 Wy: 6.7 cm<sup>3</sup>      ly: 15.4 cm<sup>4</sup>



**Part No.: W-1 NbV** Standard Profile. Wt. 14.8 kg/m

Area: 18.8 cm<sup>2</sup>      ey: 1.5 cm  
 Wx: 53 cm<sup>3</sup>      lx: 273 cm<sup>4</sup>  
 Wy: 11 cm<sup>3</sup>      ly: 27 cm<sup>4</sup>

Also available in  
Stainless

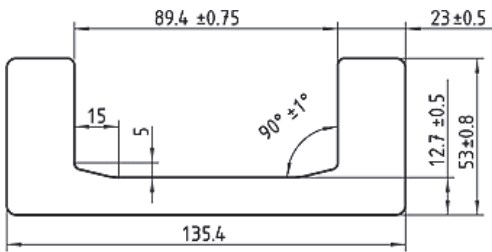


**Part No.: W-2 NbV** Standard Profile. Wt. 20.9 kg/m

Area: 26.6 cm<sup>2</sup>      ey: 1.5 cm  
 Wx: 81 cm<sup>3</sup>      lx: 493 cm<sup>4</sup>  
 Wy: 15 cm<sup>3</sup>      ly: 38 cm<sup>4</sup>

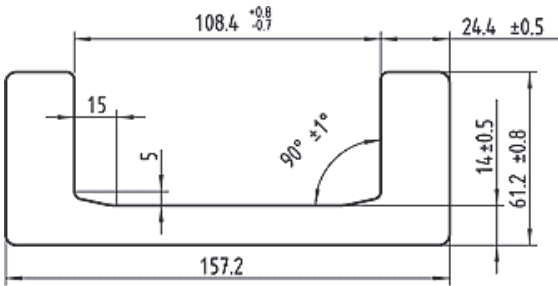
Also available in  
Stainless

## Standard NbV U Series



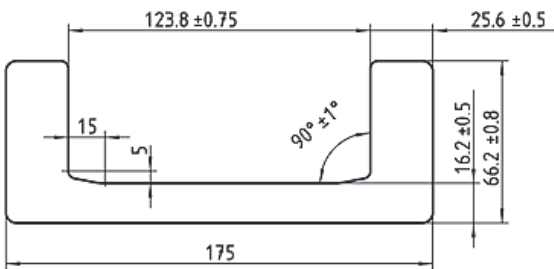
**Part No.: W-3 NbV** Standard Profile. Wt. 28.6 kg/m

Area: 36.4 cm<sup>2</sup>      ey: 2.0 cm  
 Wx: 128 cm<sup>3</sup>      lx: 865 cm<sup>4</sup>  
 Wy: 27 cm<sup>3</sup>      ly: 89 cm<sup>4</sup>



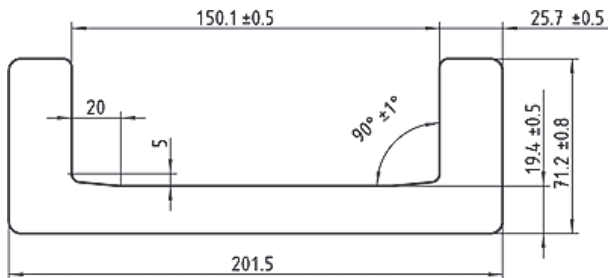
**Part No.: W-4 NbV** Standard Profile. Wt. 36.0 kg/m

Area: 45.7 cm<sup>2</sup>      ey: 2.2 cm  
 Wx: 190 cm<sup>3</sup>      lx: 1494 cm<sup>4</sup>  
 Wy: 39 cm<sup>3</sup>      ly: 150 cm<sup>4</sup>



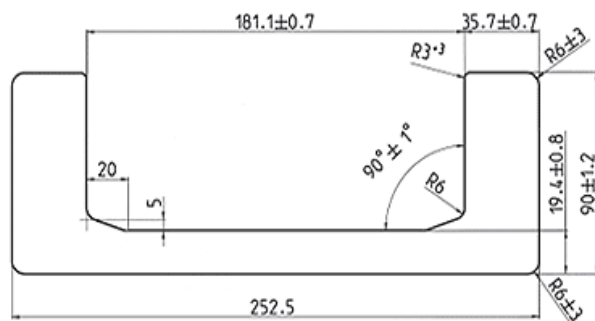
**Part No.: W-5 NbV** Standard Profile. Wt. 42.8 kg/m

Area: 54.6 cm<sup>2</sup>      ey: 1.9 cm  
 Wx: 250 cm<sup>3</sup>      lx: 2185 cm<sup>4</sup>  
 Wy: 48 cm<sup>3</sup>      ly: 205 cm<sup>4</sup>



**Part No.: W-6 NbV** Standard Profile. Wt. 52.3 kg/m

Area: 66.6 cm<sup>2</sup>      ey: 2.0 cm  
 Wx: 340 cm<sup>3</sup>      lx: 3423 cm<sup>4</sup>  
 Wy: 57 cm<sup>3</sup>      ly: 270 cm<sup>4</sup>



**Part No.: W-8 NbV** Standard Profile. Wt. 78.7 kg/m

Area: 100.1 cm<sup>2</sup>      ey: 2.68 cm  
 Wx: 681.6 cm<sup>3</sup>      lx: 8605.4 cm<sup>4</sup>  
 Wy: 125.1 cm<sup>3</sup>      ly: 721 cm<sup>4</sup>

# WINKEL Single Profiles

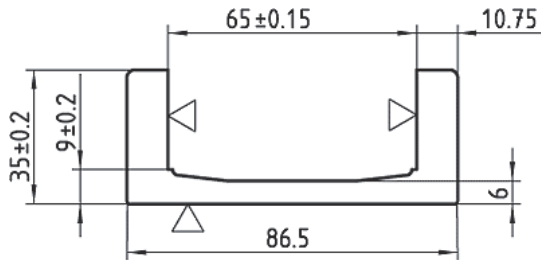


## Precision NbV U Series



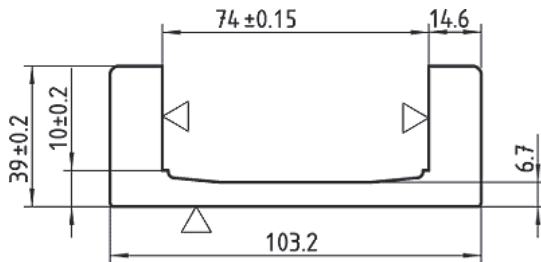
All Precision profiles are made from high-quality steel S450 J2 Modified. They are fine straightened and sand blasted, ready to install. Typical stock production length is 12 meters. Longer lengths are available on request. The bearing contact surfaces are machined in one continuous machine operation for accuracy. Profiles can be machined according to customer drawings as well, and include mounting holes as shown.

Models Available: [www.winkel.de](http://www.winkel.de)



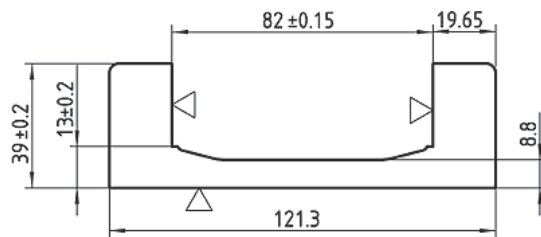
**Part No.: W-PR 0 NbV** Precision Profile. Wt. 9.4 kg/m

Area: 11.8 cm<sup>2</sup>    ey: 1.2 cm  
 Wx: 28.3 cm<sup>3</sup>    lx: 122.6 cm<sup>4</sup>  
 Wy: 5.2 cm<sup>3</sup>    ly: 12.5 cm<sup>4</sup>



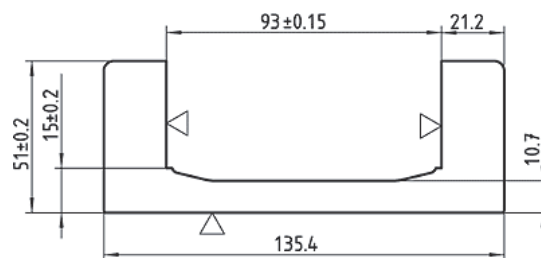
**Part No.: W-PR 1 NbV** Precision Profile. Wt. 13.4 kg/m

Area: 16.8 cm<sup>2</sup>    ey: 1.43 cm  
 Wx: 48 cm<sup>3</sup>    lx: 249 cm<sup>4</sup>  
 Wy: 8.9 cm<sup>3</sup>    ly: 22.9 cm<sup>4</sup>



**Part No.: W-PR 2 NbV** Precision Profile. Wt. 18.3 kg/m

Area: 23.3 cm<sup>2</sup>    ey: 1.4 cm  
 Wx: 73.5 cm<sup>3</sup>    lx: 446 cm<sup>4</sup>  
 Wy: 11.4 cm<sup>3</sup>    ly: 30.3 cm<sup>4</sup>

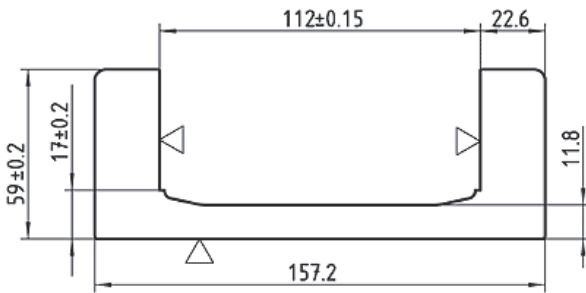


**Part No.: W-PR 3 NbV** Precision Profile. Wt. 25.4 kg/m

Area: 32.4 cm<sup>2</sup>    ey: 1.92 cm  
 Wx: 117.3 cm<sup>3</sup>    lx: 795 cm<sup>4</sup>  
 Wy: 21.8 cm<sup>3</sup>    ly: 74.4 cm<sup>4</sup>

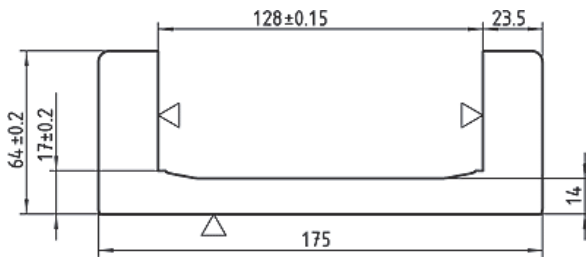


## Precision NbV U Series



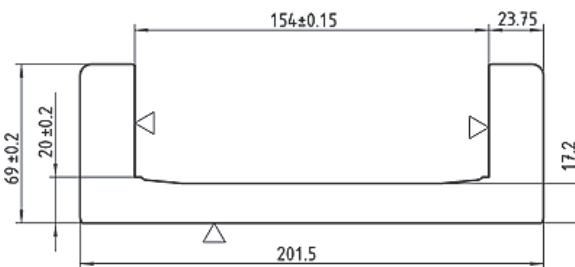
**Part No.:** W-PR 4 NbV Precision Profile. Wt. 32.1 kg/m

Area: 40.7 cm<sup>2</sup>      ey: 2.1 cm  
 Wx: 174.6 cm<sup>3</sup>      lx: 1373 cm<sup>4</sup>  
 Wy: 31.8 cm<sup>3</sup>      ly: 126.6 cm<sup>4</sup>



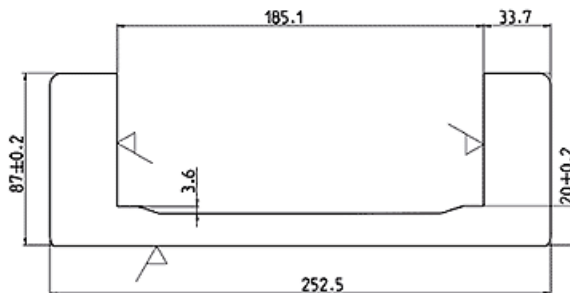
**Part No.:** W-PR 5 NbV Precision Profile. Wt. 38.1 kg/m

Area: 48.6 cm<sup>2</sup>      ey: 2.2 cm  
 Wx: 228 cm<sup>3</sup>      lx: 1996 cm<sup>4</sup>  
 Wy: 39.7 cm<sup>3</sup>      ly: 174 cm<sup>4</sup>



**Part No.:** W-PR 6 NbV Precision Profile. Wt. 47.1 kg/m

Area: 60.0 cm<sup>2</sup>      ey: 2.3 cm  
 Wx: 312 cm<sup>3</sup>      lx: 3148 cm<sup>4</sup>  
 Wy: 47.8 cm<sup>3</sup>      ly: 232 cm<sup>4</sup>



**Part No.:** W-PR 8 NbV precision Profile. Wt. 70.6 kg/m

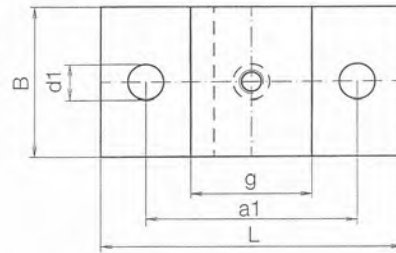
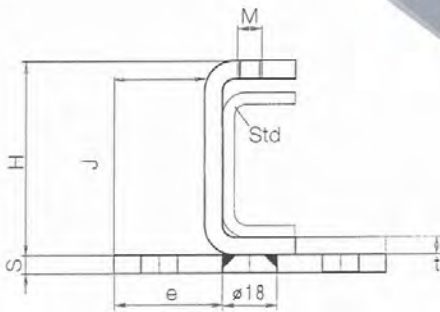
Area: 89.9 cm<sup>2</sup>      ey: 3.1 cm  
 Wx: 634 cm<sup>3</sup>      lx: 8000 cm<sup>4</sup>  
 Wy: 112 cm<sup>3</sup>      ly: 623 cm<sup>4</sup>

# WINKEL Profile Clamp Flanges



**Adjustable Clamp System**  
**Quick Assembly, No Welding**  
**Parallelism Easy To Adjust**  
**Allows Easy Profile Change**

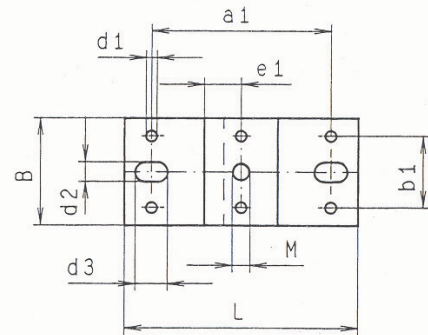
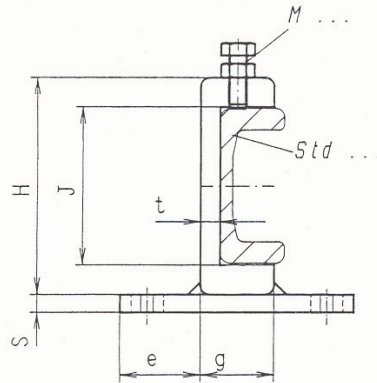
Sizes  
 W-KF A & W-KF S



Models Available: [www.winkel.de](http://www.winkel.de)

Part No.	Profile	Dimensions (mm)											Wt. kg
		H	B	L	S	J	e	g	t	a1	d1	M	
W-KF A	W-A	65	50	90	6	53	30	30	6	60	12	M8	0.40
W-KF S	W-S	83	50	100	8	67	30	40	8	70	12	M8	0.50

Sizes  
 W-KF 0 thru W-KF 4

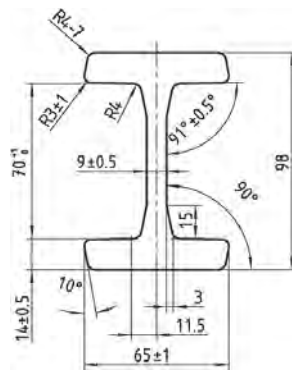


Part No.	Profile	Dimensions (mm)														Wt. kg	
		H	B	L	S	J	e	g	t	a1	b1	d1	d2	d3	e1		M
W-KF 0	W-0 Nb	121.3	60	130	10	88.5	44.5	41.0	10.8	100	40	6	11	18	20.5	M10 x 30	1.60
W-KF 1	W-1 Nb	135.4	60	130	10	105.0	38.5	53.0	12.7	100	40	6	11	18	26.5	M10 x 30	1.95
W-KF 2	W-2 Nb	157.2	80	160	15	123.0	49.5	61.2	14	130	60	6	13	18	30.6	M12 x 35	3.85
W-KF 3	W-3 Nb	175.0	80	160	15	137.5	46.9	66.2	16.2	130	60	6	13	18	33.1	M12 x 35	4.30
W-KF 4	W-4 Nb	201.5	80	160	15	159.0	44.4	71.2	19.4	130	60	6	13	18	35.6	M12 x 35	5.20

**Material:** S450 J2 Modified. Can be provided cut to length up to 6 meters long, longer lengths available on request.

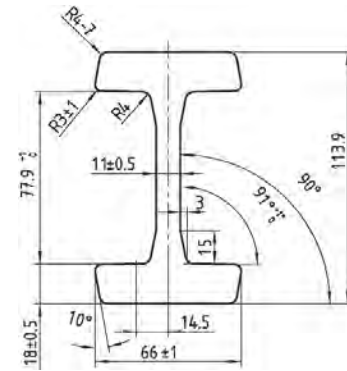


Models Available: [www.winkel.de](http://www.winkel.de)



**Part No.: W-3018 NbV** Wt. 19.4 kg/m

Area: 24.8 cm<sup>2</sup>      Wy: 18.00 cm<sup>3</sup>  
 Wx: 70.6 cm<sup>3</sup>      ly: 58.3 cm<sup>4</sup>  
 lx: 345.9 cm<sup>4</sup>



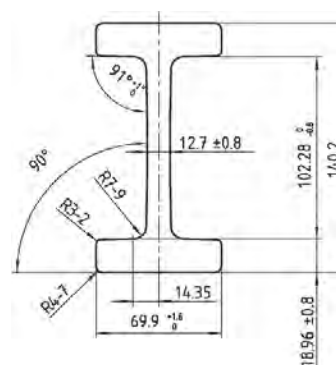
**Part No.: W-3019 NbV** Wt. 25.3 kg/m

Area: 32.2 cm<sup>2</sup>      lx: 597.5 cm<sup>4</sup>  
 Wx: 104.9 cm<sup>3</sup>      Wy: 23.2 cm<sup>3</sup>  
 ly: 76.8 cm<sup>4</sup>



**Part No.: W-3020 NbV** Wt. 34.0 kg/m

Area: 43.4 cm<sup>2</sup>      lx: 1037 cm<sup>4</sup>  
 Wx: 160 cm<sup>3</sup>      Wy: 40 cm<sup>3</sup>  
 ly: 162 cm<sup>4</sup>



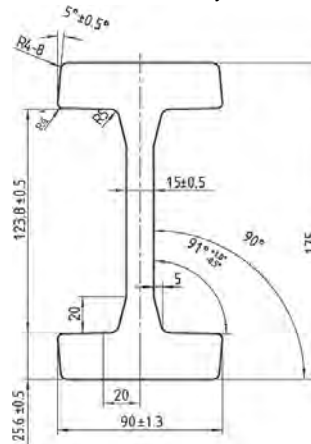
**Part No.: W-2912 NbV** Wt. 31.17 kg/m

Area: 39.5 cm<sup>2</sup>      lx: 1089 cm<sup>4</sup>  
 Wx: 156 cm<sup>3</sup>      Wy: 30 cm<sup>3</sup>  
 ly: 105 cm<sup>4</sup>



**Part No.: W-3100 NbV** Wt. 40.8 kg/m

Area: 51.1 cm<sup>2</sup>      lx: 1657 cm<sup>4</sup>  
 Wx: 217 cm<sup>3</sup>      Wy: 44 cm<sup>3</sup>  
 ly: 184 cm<sup>4</sup>

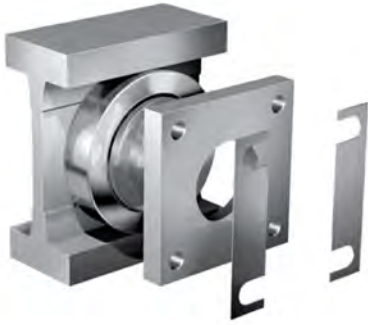


**Part No.: W-3353 NbV** Wt. 51.4 kg/m

Area: 65.5 cm<sup>2</sup>      lx: 2826 cm<sup>4</sup>  
 Wx: 323 cm<sup>3</sup>      Wy: 65.2 cm<sup>3</sup>  
 ly: 293 cm<sup>4</sup>

Note: See selection page for load ratings of profiles. Larger fabricated sizes available on request.

## Profile for Jumbo Combined Bearings



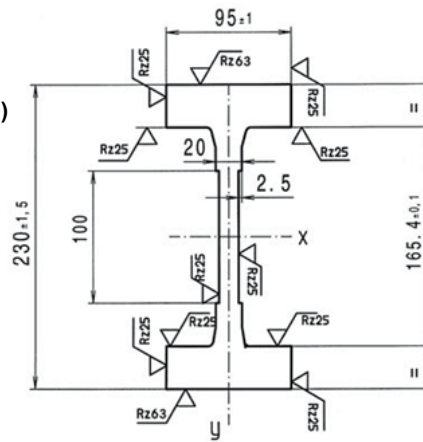
Jumbo Profiles are produced to order in fixed lengths per customer requirements. Profiles can be machined on one or both sides depending on bearing support requirements. All are produced from S355 J2 material. Max length is 12 meters. Special designs or additional machined surfaces available on request. Sketches below show Profile machined on both sides where bearing loads would be supported.

### Jumbo Profile Dimensions

Models Available: [www.winkel.de](http://www.winkel.de)

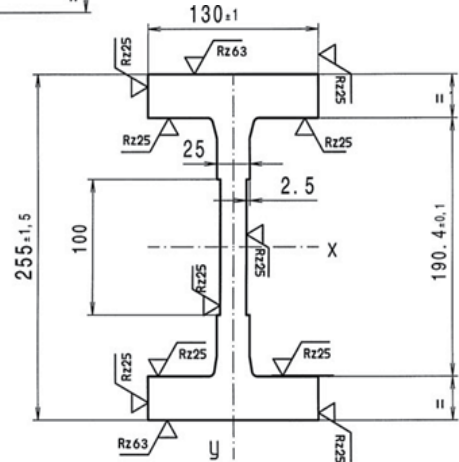
#### Standard 10 Profile (For Bearing Size W-4.089)

Wt: 71.0 kg/m  
 Area: 90.7 cm<sup>2</sup>  
 Wx: 539.0 cm<sup>3</sup>  
 Wy: 100.0 cm<sup>3</sup>  
 Ix: 6825.0 cm<sup>4</sup>  
 Iy: 475.0 cm<sup>4</sup>



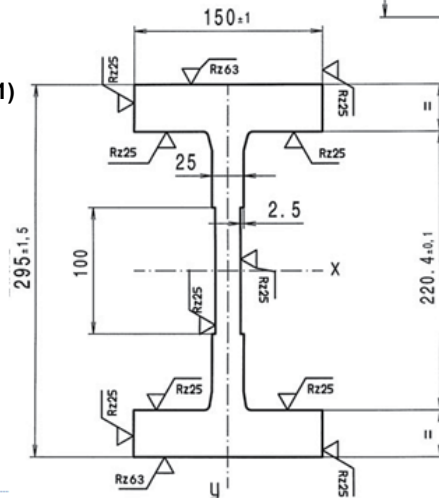
#### Standard 16 Profile (For Bearing Size W-4.090)

Wt: 100.0 kg/m  
 Area: 127.84 cm<sup>2</sup>  
 Wx: 940.0 cm<sup>3</sup>  
 Wy: 185.0 cm<sup>3</sup>  
 Ix: 11983.0 cm<sup>4</sup>  
 Iy: 1203.0 cm<sup>4</sup>



#### Standard 18 Profile (For Bearing Size W-4.091)

Wt: 128.0 kg/m  
 Area: 163.0 cm<sup>2</sup>  
 Wx: 2123.0 cm<sup>3</sup>  
 Wy: 283.0 cm<sup>3</sup>  
 Ix: 21035.0 cm<sup>4</sup>  
 Iy: 1426.0 cm<sup>4</sup>

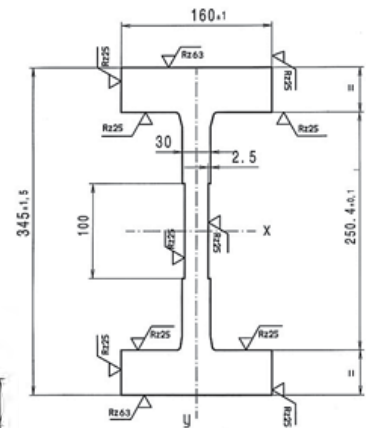


## Profile for Jumbo Combined Bearings

## Jumbo Profile Dimensions

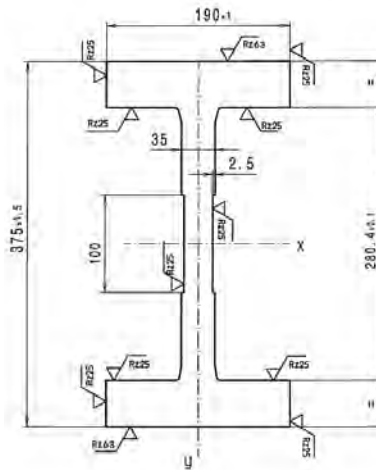
### Standard 28 Profile (For Bearing Size W-4.092)

Wt: 175.0 kg/m  
 Area: 222.8 cm<sup>2</sup>  
 Wx: 2196.0 cm<sup>3</sup>  
 Wy: 410.0 cm<sup>3</sup>  
 Ix: 37883.0 cm<sup>4</sup>  
 Iy: 3279.0 cm<sup>4</sup>



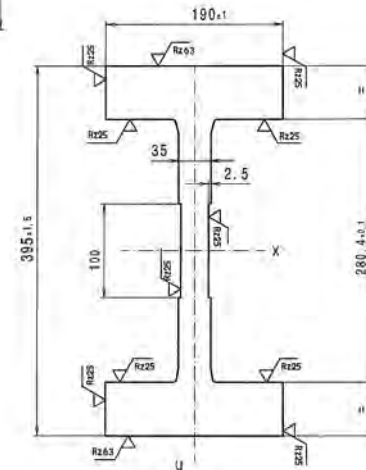
### Standard 36 Profile (For Bearing Size W-4.093)

Wt: 215.0 kg/m  
 Area: 274.2 cm<sup>2</sup>  
 Wx: 2945.0 cm<sup>3</sup>  
 Wy: 578.0 cm<sup>3</sup>  
 Ix: 55210.0 cm<sup>4</sup>  
 Iy: 5498.0 cm<sup>4</sup>



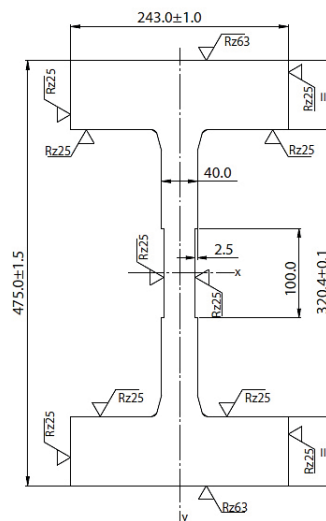
### Standard 42 Profile (For Bearing Size W-4.093)

Wt: 245.0 kg/m  
 Area: 312.0 cm<sup>2</sup>  
 Wx: 3505.0 cm<sup>3</sup>  
 Wy: 700.0 cm<sup>3</sup>  
 Ix: 69230.0 cm<sup>4</sup>  
 Iy: 6642.0 cm<sup>4</sup>



### Standard 50 Profile (For Bearing Size W-4.094)

Wt: 382.9 kg/m  
 Area: 487.8 cm<sup>2</sup>  
 Wx: 5579.1 cm<sup>3</sup>  
 Wy: 1586.9 cm<sup>3</sup>  
 Ix: 160012.0 cm<sup>4</sup>  
 Iy: 18601.0 cm<sup>4</sup>



Introduction

Mounted Ball Bearings

SRE / SR2 Spherical Bearings

SAF / Plummer Blocks

Brq. Accessories, Radial Ball, & EICH Bearings

Rod Ends & Spherical Plain Bearings

Roller Chain & Sprockets

Bushings & Hubs

Gears & Racks

Belt Drives / Couplings

Linear Motion / WINKEL

## Corrosion Protection for Combined Bearings

Duralloy® is a thin dense chrome (TDC) coating option applied to the exposed Winkel combined bearing surfaces and face plates for enhanced corrosion protection. Duralloy is an extremely hard, wear resistant coating that is precise, ultra-pure (99% min) metallic chromium layer with excellent adhesive properties. Stainless units are an alternative in the smallest sizes only. Due to the relatively low processing temperature, under 60 °C (140 °F), there are no changes to the bearing steel due to the coating.

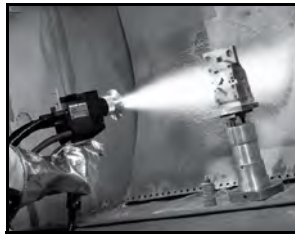
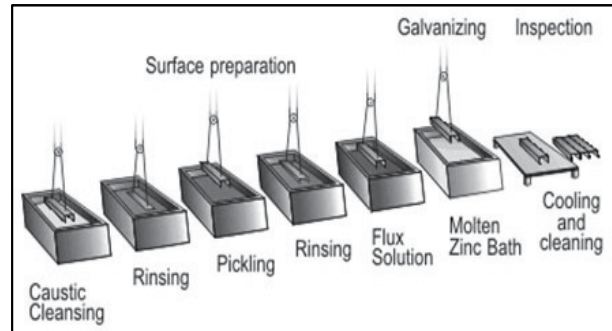
The Duralloy coating ensures shape and hardness stability for any manufactured components. The plating hardness is approximately 1200 HV (65+ HRC). The overrunning contact pressure can achieve 2800 MPa when EHD-conditions (elasto-hydro-dynamic) were tested.

Comparatively, loading for standard ball and roller bearings is around 1,400 – 1,700 MPa. The effective plating thickness ranges from 1.5 - 10 µm (0.00006" - 0.0004" inches) which provides outstanding chemical resistance and material hardness where conventional coatings are rather ineffective.

Tribology/low friction coefficient: The special structure of the Duralloy surface creates micro pockets for lubricant retention during extreme conditions. The Duralloy coated surface also reduces the coefficient of friction while protecting against corrosion. Compared to conventional hard chrome coatings the Duralloy coating is free of cracks. All Winkel Combined Bearings (Steel) are available with the Duralloy® coating on request.

## Corrosion Protection Options for Profiles

There are two options for corrosion protection for Winkel profiles. Plasma Galvanizing (thermal) spray is the primary option, and superior to normal zinc galvanized coatings. Nearly any shape and weldment can be coated and applied in thicknesses from 0.1mm to 0.3mm. Plasma Galvanized coated surfaces allow normal bearing pressures on the contact surfaces without cracking the coating. Standard (hot rolled) NbV Profiles are stocked shot blasted (clean) ready for installation. They can also be machined prior to galvanizing for a refined bearing fit for additional precision for linear motion. Standard Profiles are stored with a light corrosion resistant coating (Ferrocoat) or equal for transport.



Plasma Galvanizing Process



Plasma Galvanized Profile, Duralloy Coated Bearing

Another option is the common hot dipped (chemical) galvanized coating. The dip process will protect the profile from corrosion. Under heavier loading, the soft coating may flake a bit at bearing contact. The dip process pictured is the normal galvanizing for corrosion and salt-water protection. Drilled and tapped holes can be provided in the profile for mounting. Consult PTI for a copy of the plating specs and length/size requirements. Hot dip galvanizing is according to ASTM A123/A123-13 and A385/A385M-09.

Profile contact areas should be lubricated in the bearing track for best results.

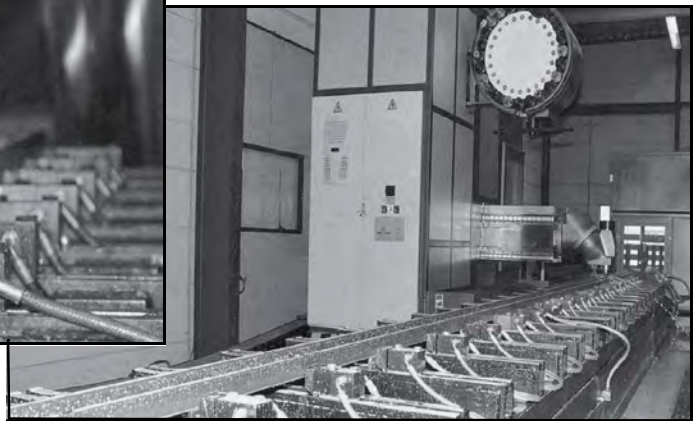
## Precision Profiles

Precision profiles (PR) are produced using standard profiles (produced in Germany) that have been fine straightened and machined for a refined bearing fit. Precision fit bearings used in the machined profiles. These are also stock units. Customized CNC milling machines (below) provide long, accurate, un-interrupted cuts. Profiles are stocked in 12 meters

lengths and can be fully machined and/or plated per requirements. Six meter length profiles are stock in Charlotte, and 12 Meter lengths readily available (stocked in Germany). Longer lengths can be included during mill production schedules. Other dimension and machining options are available. Consult PTI for more information.



Precision profiles are machined from fine straightened hot rolled profiles up to 12 meters in length. Drilling and tapping profiles for mounting or for adding custom brackets for installation is optional.



## Inox (Stainless) Series Combined Bearings With Mounting Flange

Stainless Steel Radial and Axial ball bearings. Suitable for high speed operation and lubricated for life. Additional sizes on request.

### Models Available

#### Bearing Part No: W-1525APS

$F_r$  (Radial) 3.5kN

$F_a$  (Axial) 2.0kN

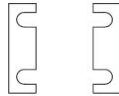
Wt. 0.97kg



#### INOX Adjustment Shims

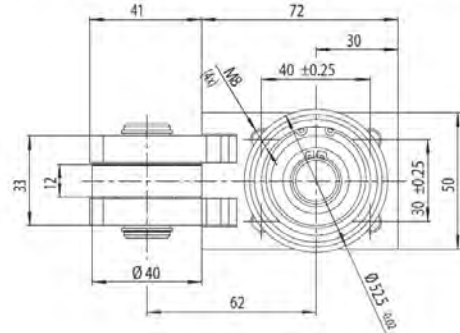
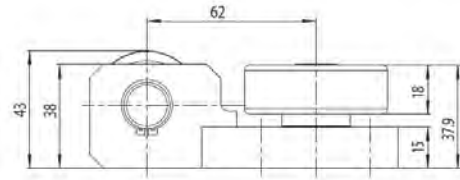
Part No: DS-S-0.5 INOX (0.5MM)

Part No: DS-S-1.0 INOX (1.0MM)



Stainless Adjustment Shims

Use with Profile: W-S INOX



#### Bearing Part No: W-1700AP1

$F_r$  (Radial) 6.0kN

$F_a$  (Axial) 3.0kN

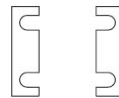
Wt. 2.02kg



#### INOX Adjustment Shims

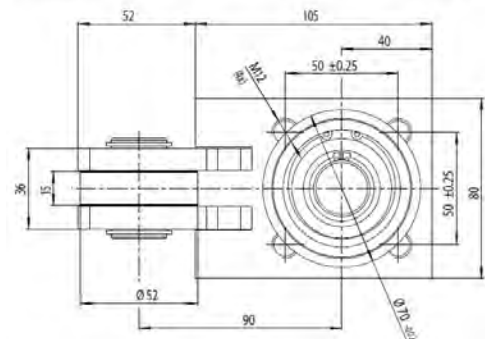
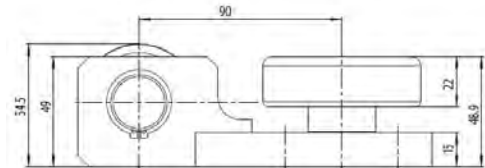
Part No: DS-1-0.5 INOX (0.5MM)

Part No: DS-1-1.0 INOX (1.0MM)



Stainless Adjustment Shims

Use with Profile: W-1 INOX

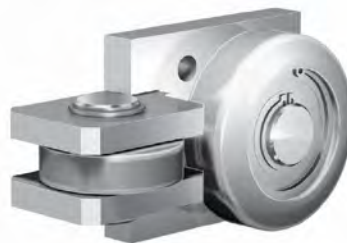


#### Bearing Part No: W-1780AP2

$F_r$  (Radial) 7.20kN

$F_a$  (Axial) 4.0kN

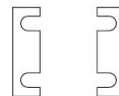
Wt. 2.20kg



#### INOX Adjustment Shims

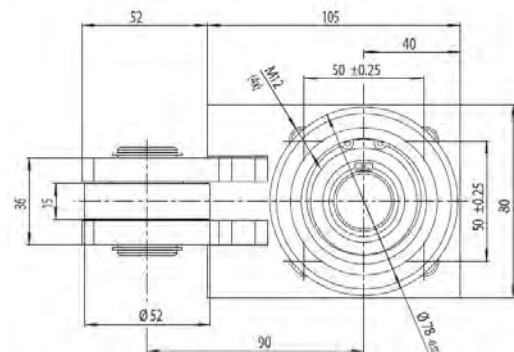
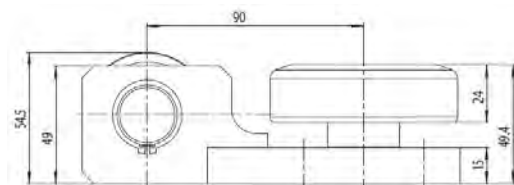
Part No: DS-2-0.5 INOX (0.5MM)

Part No: DS-2-1.0 INOX (1.0MM)



Stainless Adjustment Shims

Use with Profile: W-2 INOX



## Inox (Stainless) Series Rollers With & Without AP Flange Plates

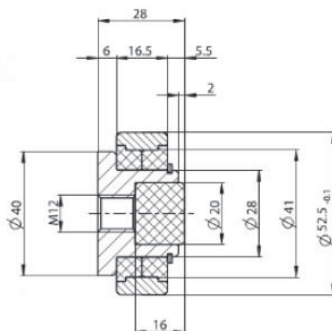
### Models Available

#### Part No: W-4.053 Inox

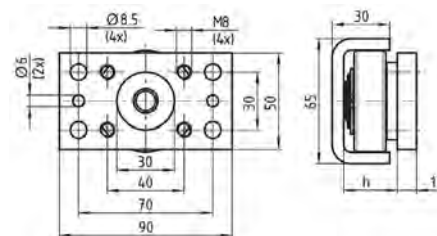
$F_r$  (Radial) 3.5 kN

$F_a$  (Axial) 2.0 kN

Wt. 0.25 kg



### With AP Flange Plates



**$F_r$  = Allowable Radial Load Rating**  
 **$F_a$  = Allowable Axial Load Rating**

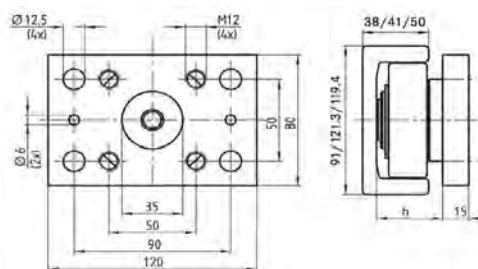
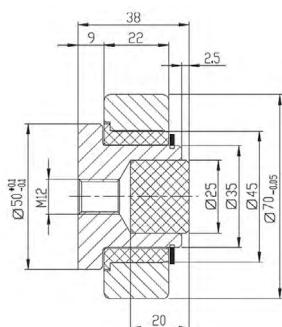
#### Part No: W-4.055 Inox (Bearing only)

#### Part No: W-4.055/APS Inox (with Flange Plate)

$F_r$  (Radial) 6.0 kN

$F_a$  (Axial) 3.0 kN

Wt. 0.65 kg



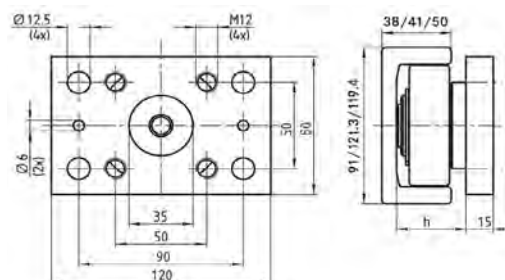
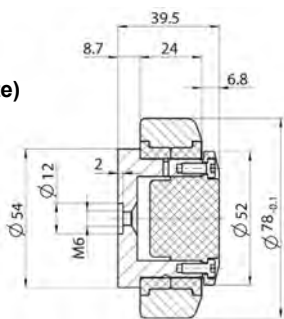
#### Part No: W-4.074 Inox (Bearing only)

#### Part No: W-4.074/AP1 Inox (with Flange Plate)

$F_r$  (Radial) 7.20 kN

$F_a$  (Axial) 4.0 kN

Wt. 0.75 kg



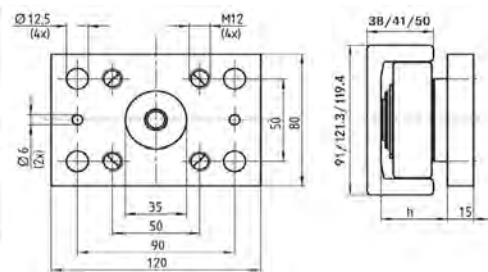
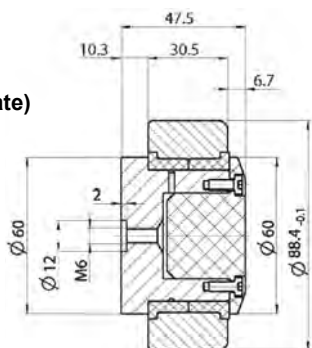
#### Part No: W-4.076 Inox (Bearing only)

#### Part No: W-4.076/AP1 Inox (with Flange Plate)

$F_r$  (Radial) 10.6 kN

$F_a$  (Radial) 8.9 kN

Wt. 1.79 kg







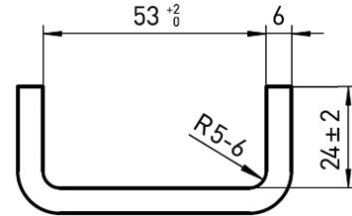
Winkel Stainless Steel (Inox) profiles are from 304 Stainless. Available in 6 meter lengths or cut to length. S Profile is available in 12 meter lengths on request.

### Models Available

#### Standard S INOX Profile

##### Part No: W-S Inox

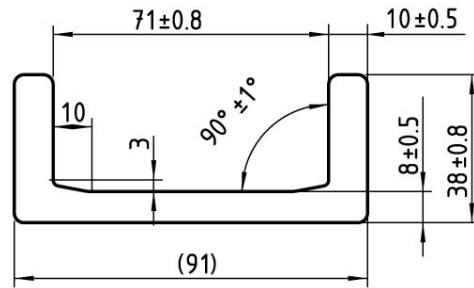
Wt. 5.3 kg/m  
 A: 6.4 cm<sup>2</sup>  
 Ix: 35.4 cm<sup>4</sup>  
 Wx: 10.9 cm<sup>3</sup>  
 Iy: 5.0 cm<sup>4</sup>  
 Wy: 2.5 cm<sup>3</sup>  
 ey: 1.0 cm



#### Standard 1 INOX Profile

##### Part No: W-1 Inox

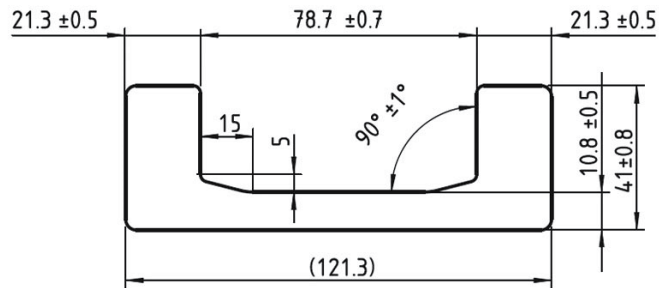
Wt. 10.6 kg/m  
 A: 13.6 cm<sup>2</sup>  
 Ix: 152.3 cm<sup>4</sup>  
 Wx: 33.5 cm<sup>3</sup>  
 Iy: 16.4 cm<sup>4</sup>  
 Wy: 6.4 cm<sup>3</sup>  
 ey: 1.2 cm



#### Standard 2 INOX Profile

##### Part No: W-2 Inox

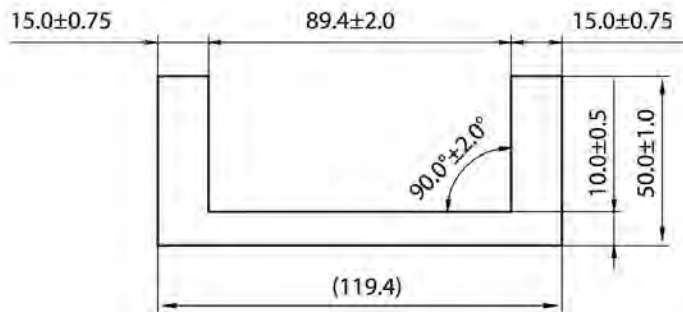
Wt. 20.9 kg/m  
 A: 26.6 cm<sup>2</sup>  
 Ix: 492.7 cm<sup>4</sup>  
 Wx: 81.2 cm<sup>3</sup>  
 Iy: 37.9 cm<sup>4</sup>  
 Wy: 14.8 cm<sup>3</sup>  
 ey: 1.5 cm



#### Standard 3 INOX Profile

##### Part No: W-3 Inox

Wt. 18.8 kg/m  
 A: 23.9 cm<sup>2</sup>  
 Ix: 471.0 cm<sup>4</sup>  
 Wx: 78.9 cm<sup>3</sup>  
 Iy: 54.4 cm<sup>4</sup>  
 Wy: 10.9 cm<sup>3</sup>  
 ey: 1.75 cm



## Features of Vulkollan & Polyamide Combined Bearings

- Silent Operation, 8 Profile/Bearing sizes
- Travel Speeds up to 16 Ft/sec
- Low Friction from 2RS seals on Ball Bearings
- Wear Resistant
- Max Working Temperature 40°C (104°F)
- Polyamide — Higher loads than Vulkollan
- Vulkollan — Softer, quieter than Polyamide
- Many Sizes & Mounting Options



Vulkollan Combined Bearing



Vulkollan Bearing Only



Polyamide Combined Bearing



Vulkollan Combined Bearing



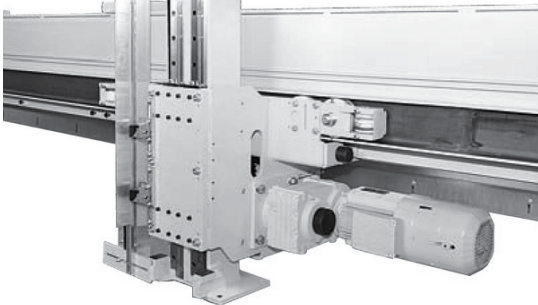
Polyamide Combined Bearing &amp; Flange Plate



Adjustable Polyamide Combined Bearing



Polyamide Wheel

Polyamide Drive Wheels  
(Available on Request)

# WINKEL Vulkollan Combined Bearings



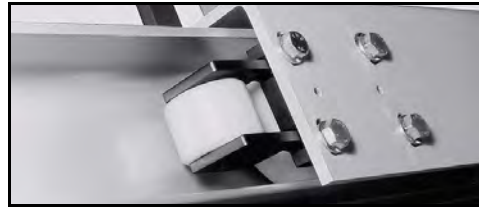
## With & Without Flanges



W-V4000AP



W-V1250AP



Vulkollan System



W-V4000



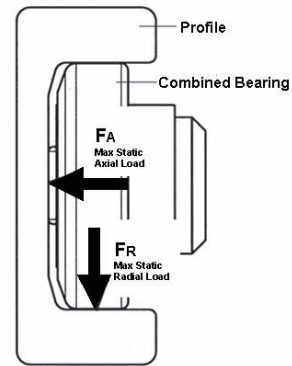
W-VE6250

## Features of Vulkollan Units

- Silent operation
- Travel Speed up to 16ft/sec
- Low Friction from 2RS Sealed Ball Bearings
- Wear Resistant
- Max Working Temperature 80° C (176°F)
- 93° Shore Hardness

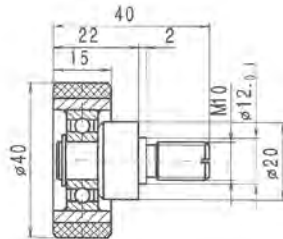
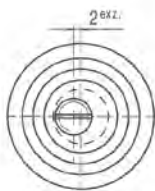
Models Available: [www.winkel.de](http://www.winkel.de)

Part No. without Flange	Part No. with Flange	F <sub>R</sub> [N] max stat radial	F <sub>A</sub> [N] max stat axial	Reduction of load capacity at			Wt. kg	Profile
				1 m/sec	2m/sec	3m/sec		
W-V 4000	W-V 4000 AP	600	400	0%	-20%	-30%	0.20	W-A
W-V 5250	W-V 5250 AP	800	400	0%	-20%	-30%	0.28	W-S
W-V 6250 P	W-V 6250 AP	1100	600	0%	-20%	-30%	0.80	W-O
—	W-V 1012 AP	1900	600	0%	-20%	-30%	1.60	W-V
—	W-V 1250 AP	4500	1000	0%	-20%	-30%	4.00	W-R
—	W-V 1432 AP	6000	3000	0%	-20%	-30%	9.20	W-W
—	W-V 1792 AP	10000	3000	0%	-20%	-30%	12.20	W-X
—	W-VE 4000*	600	—	0%	-20%	-30%	0.25	—
—	W-VE 6250*	1100	—	0%	-20%	-30%	0.25	—

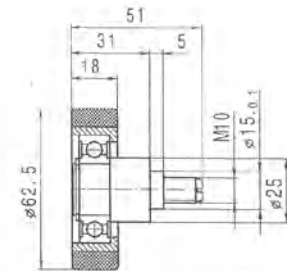


Note: \* VE Units available with M10 threaded stud. These are mounted on an eccentric stud and used to tension or remove radial clearance of the bearing system between the bearing & profile. Radial & Axial load ratings are in Newtons.

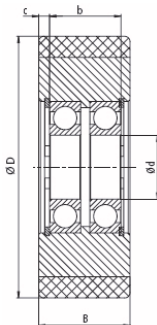
Part No: W-VE4000



Part No: W-VE6250



## Vulkollan Roller

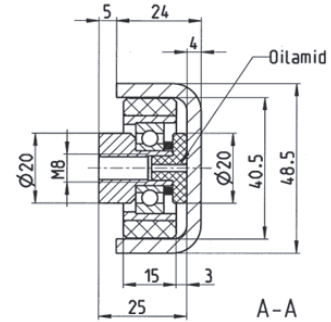
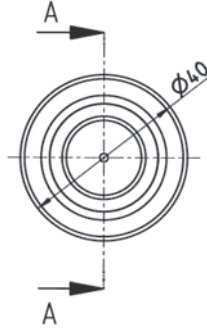


Part No.	Bearing Size	b mm	B mm	c mm	d mm	D mm	Load Capacity [N]
W-V 50/30	50.0 x 30	30	30	—	12	50	1000
W-V 80/57	80.0 x 57	61	57	—	20	80	3000
W-V 101/25	101.2 x 25	16	25	4.5	45	101.2	1900
W-V 125/40	125.0 x 40	35	40	5	30	125	4500
W-V 143/50	143.2 x 50	38	50	5	35	143.2	6000
W-V 179/50	179.0 x 50	40	50	5	40	179.2	10000

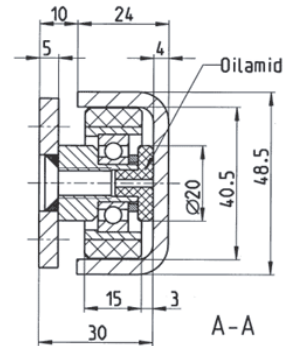
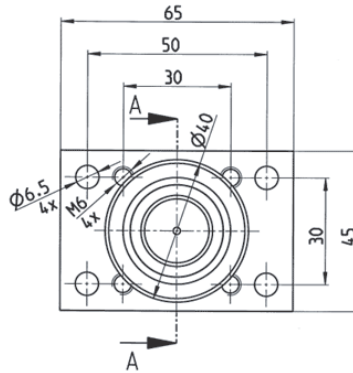
Part No.: **W-V4000** Wt. 0.10kg

**W-VE4000** Dimensions are the same with offset thread.

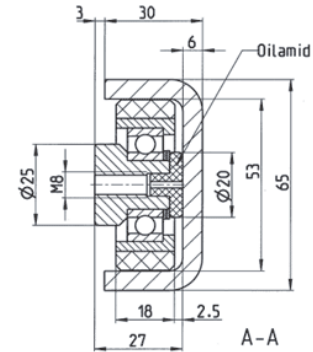
Models Available: [www.winkel.de](http://www.winkel.de)



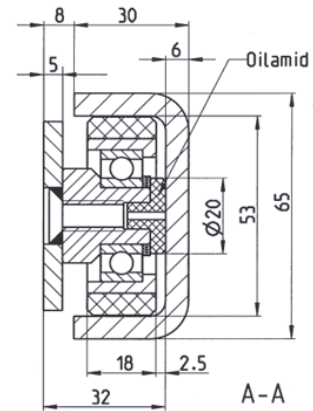
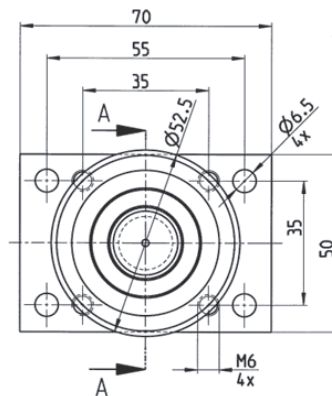
Part No.: **W-V4000 AP** Wt. 0.20kg with Flange Plate



Part No.: **W-V5250** Wt. 0.18kg

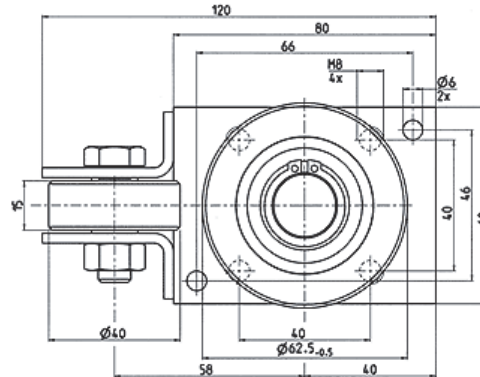
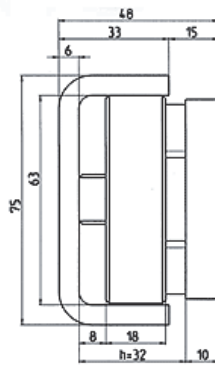
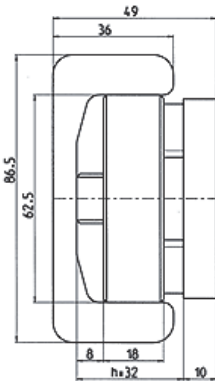
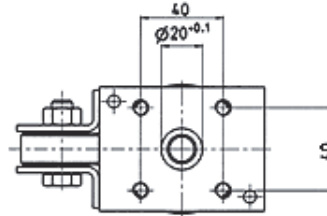
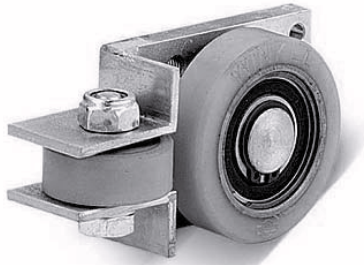


Part No.: **W-V5250 AP** Wt. 0.28kg with Flange Plate



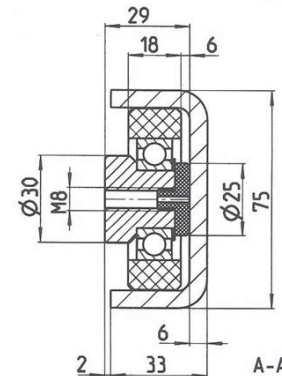
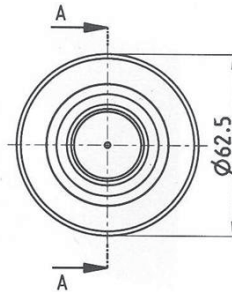
Part No.: W-V6250 AP Wt. 0.80kg with Flange Plate

Models Available: [www.winkel.de](http://www.winkel.de)

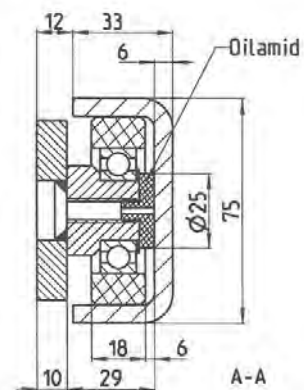
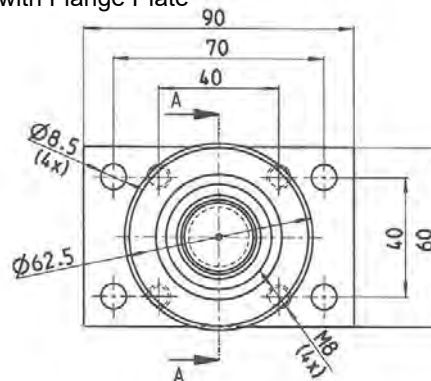
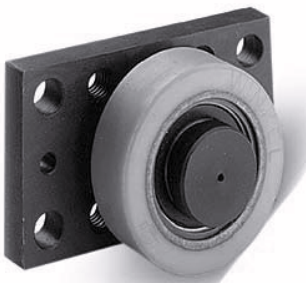


Part No.: W-V6250 P Wt. 0.30kg

W-VE6520 Dimensions are the same with offset thread

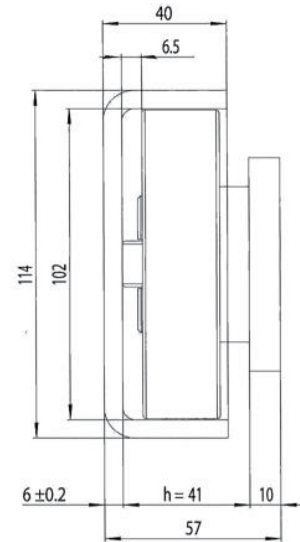
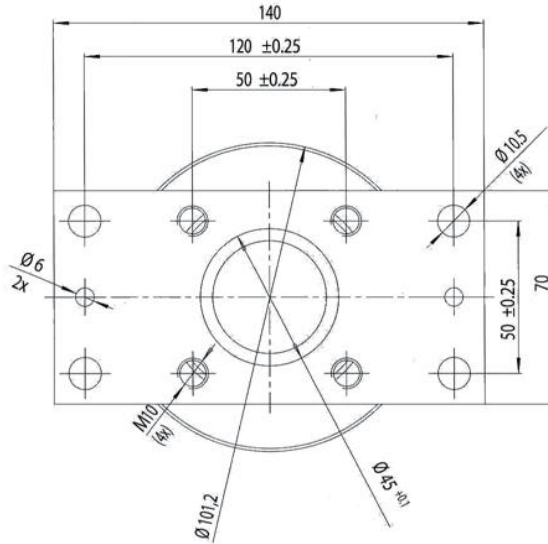
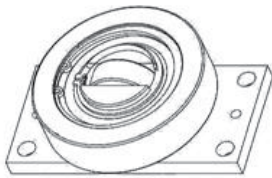


Part No.: W-V6250 P AP Wt. 0.65kg with Flange Plate

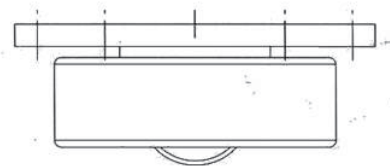
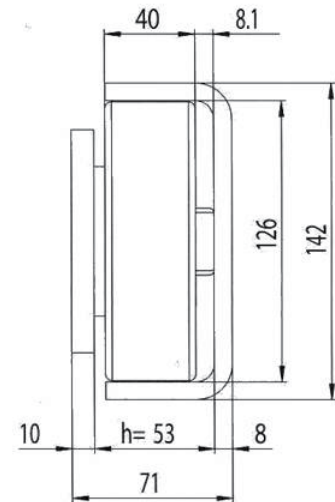
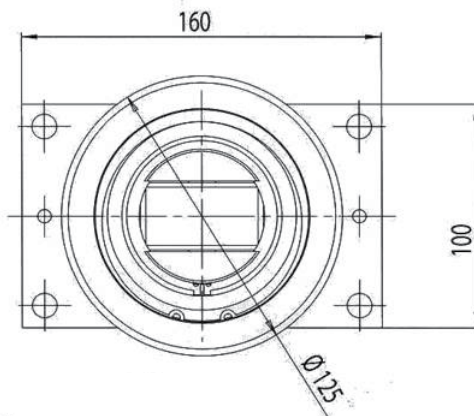
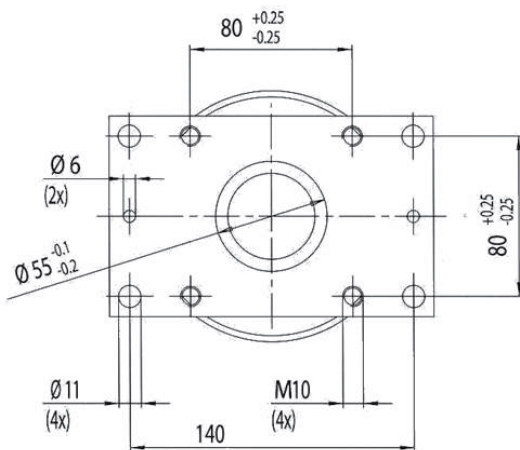


Part No.: W-V1012 AP Wt. 1.60kg with Flange Plate

Models Available: [www.winkel.de](http://www.winkel.de)

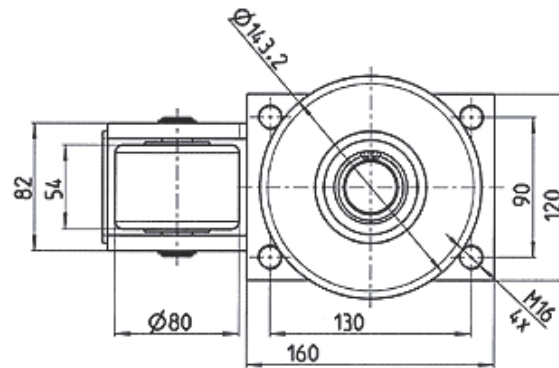
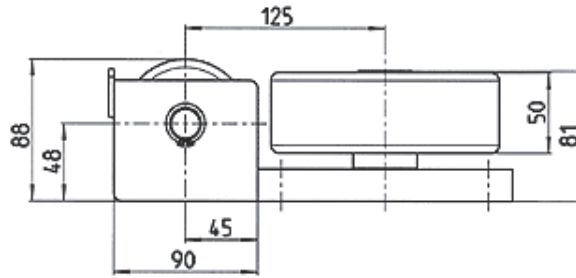
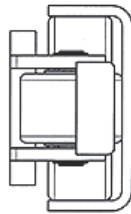
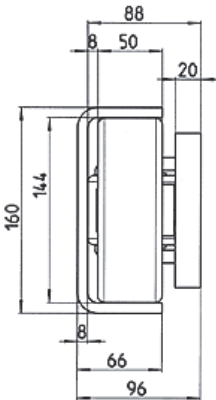


Part No.: W-V1250 AP Wt. 4.0kg with Flange Plate

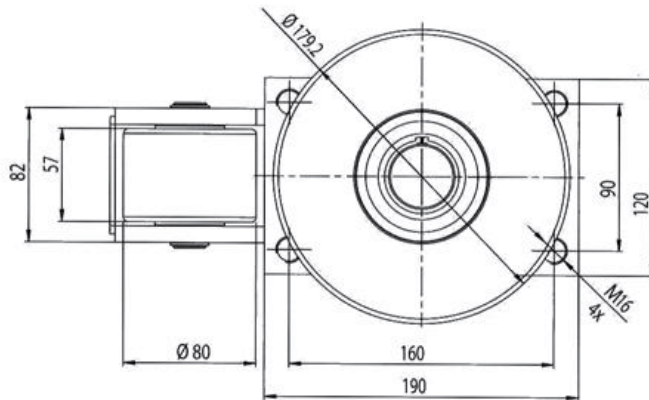
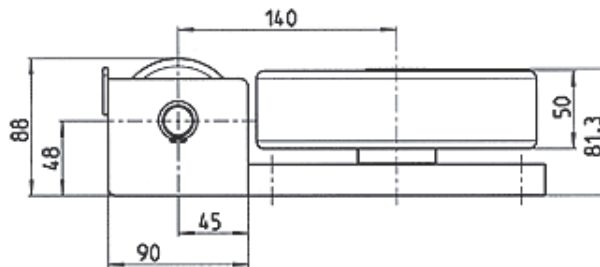
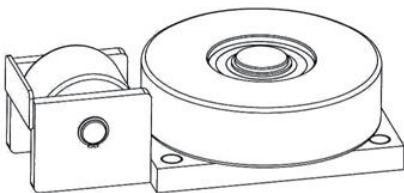
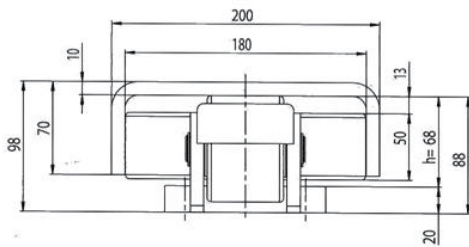


Part No.: W-V1432 AP Wt. 9.2kg with Flange Plate

Models Available: [www.winkel.de](http://www.winkel.de)



Part No.: W-V1792 AP Wt. 12.2kg with Flange Plate



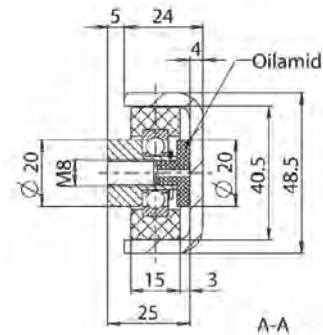
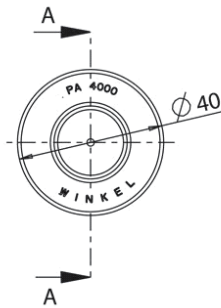


Polyamide Combined Bearings and Rollers allow higher loads than Vulkollan units and are a quiet alternative with high speed capability. They are available with Flange Plates for quick mounting or as rollers with studs for welding onto frames. The Profile (Channels) are also stock components and can be cut to desired lengths. Profiles to 12 meters are available in most sizes.

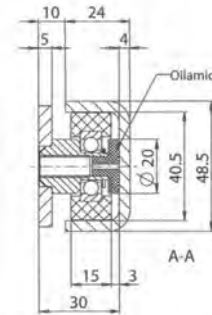
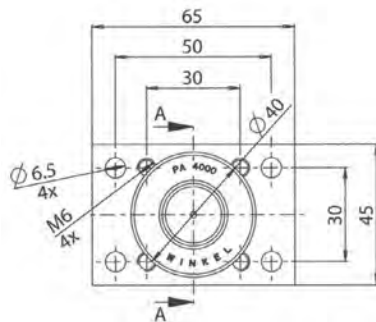
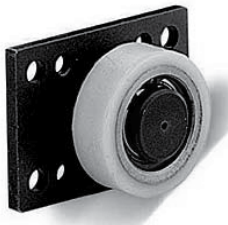
## Features of Polyamide Units

- Silent Operation
- Travel Speed up to 16 ft/sec
- Low Friction from 2RS Sealed Ball Bearings
- Wear Resistant
- Max Working Temp 40°C
- Higher Loads than Vulkollan

Part No: PA 4000 (use with Profile A)  
Wt.: 0.08kg



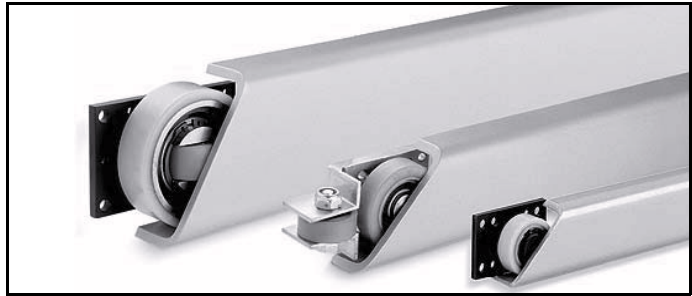
Part No: PA 4000 AP (use with Profile A)  
Wt.: 0.18k g



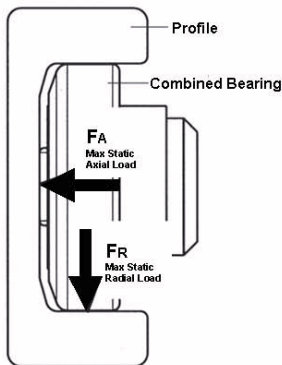


## Features of Polyamide Units

- Silent operation
- Travel Speed up to 16ft/sec
- Low Friction from 2RS Sealed Ball Bearings
- Wear Resistant
- Max working temp 40°C (104°F)
- Higher Loads than Vulkollan



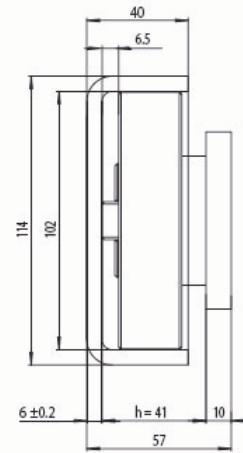
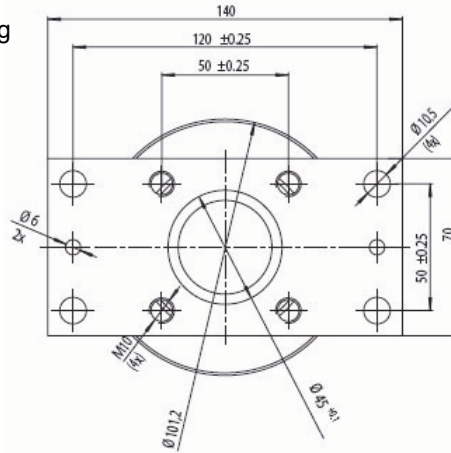
Models Available: [www.winkel.de](http://www.winkel.de)



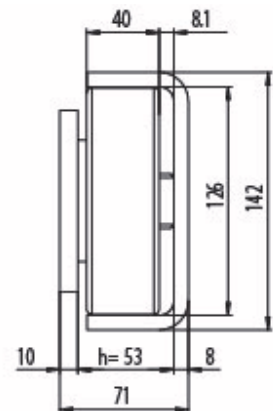
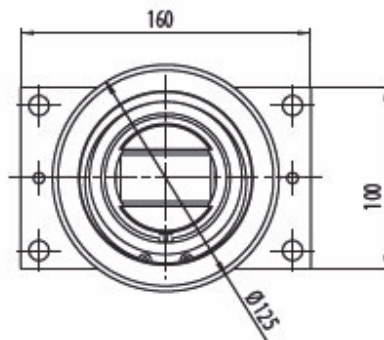
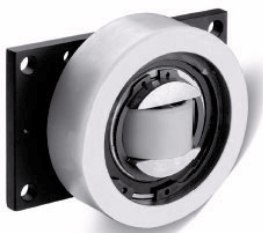
Part No.	F <sub>R</sub> [N] max stat radial	F <sub>A</sub> [N] max stat axial	Reduction of load capacity at:			Wt. kg	Profile
			1 m/sec	2m/sec	3m/sec		
W-PA 1012 AP	2500	900	0%	-20%	-30%	1.60	W-V
W-PA 1250 AP	6000	1300	0%	-20%	-30%	4.00	W-R
W-PA 1432 AP	8000	3000	0%	-20%	-30%	9.20	W-W
W-PA 1792 AP	15000	3000	0%	-20%	-30%	12.20	W-X
W-PA 1800 AP	18000	6000	0%	-20%	-30%	13.00	Std 8

F<sub>R</sub> (Radial) & F<sub>A</sub> (Axial) max loads in Newtons.

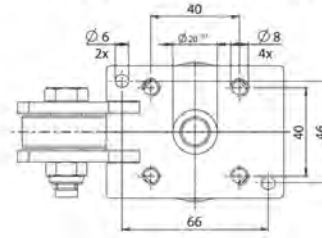
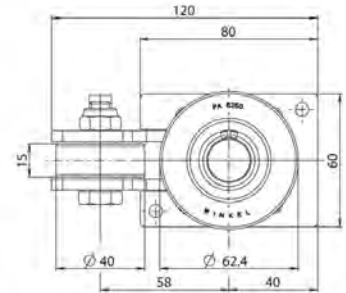
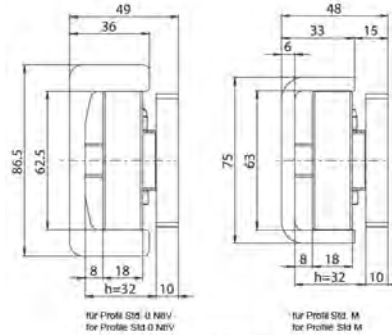
Part No.: **W-PA 1012AP** Wt. 1.6kg



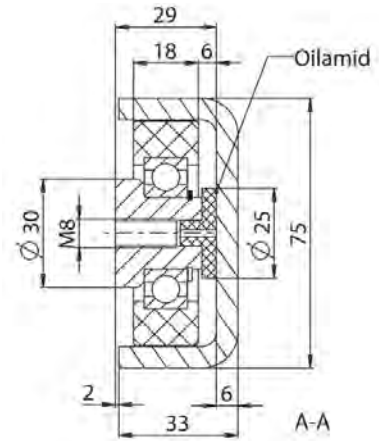
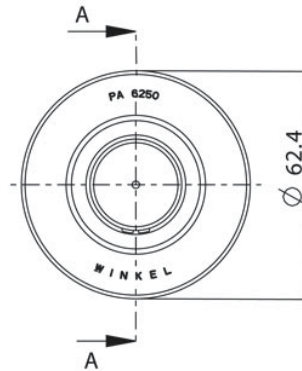
Part No.: **W-PA 1250AP** Wt. 4.0kg



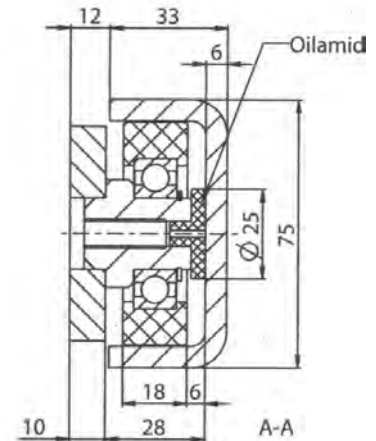
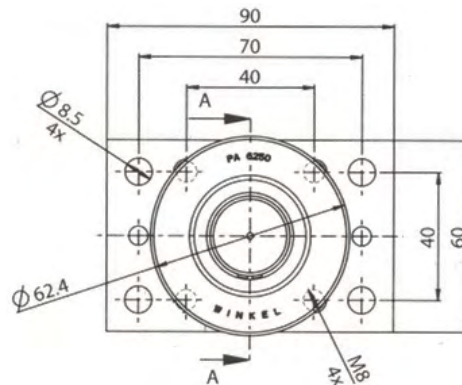
Part No: PA 6250 AP (use with Profile W-0 or W-M)  
Wt.: 0.25 kg



Part No: PA 6250 P (use with Profile W-0 or W-M)  
Wt.: 0.02 kg

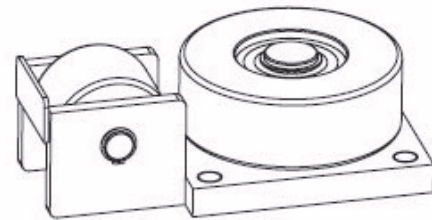
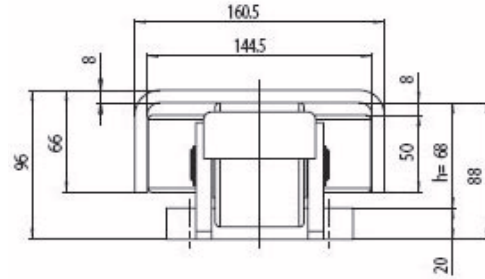
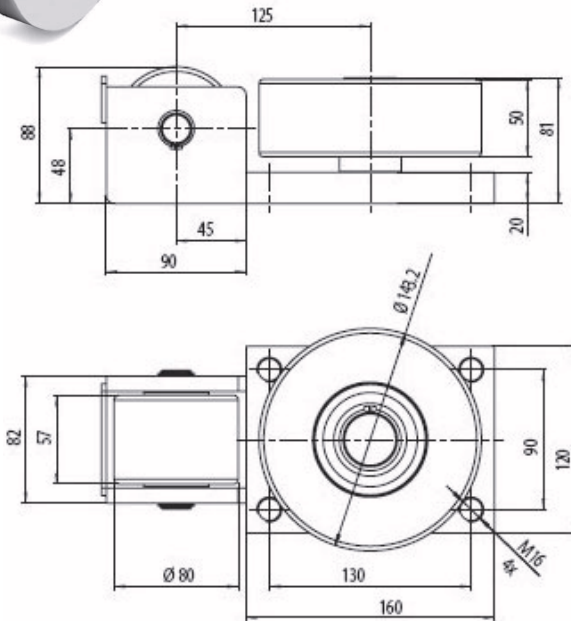


Part No: PA 6250 P AP (use with Profile W-0 or W-M)  
Wt.: 0.6 kg



Part No.: W-PA1432 AP Wt. 9.2 kg

Models Available: [www.winkel.de](http://www.winkel.de)



Mounted Ball Bearings

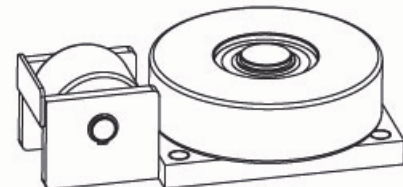
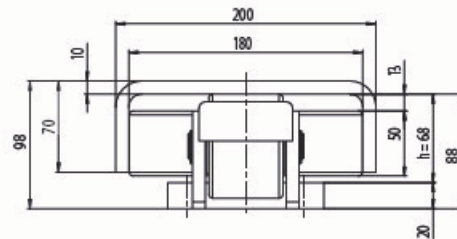
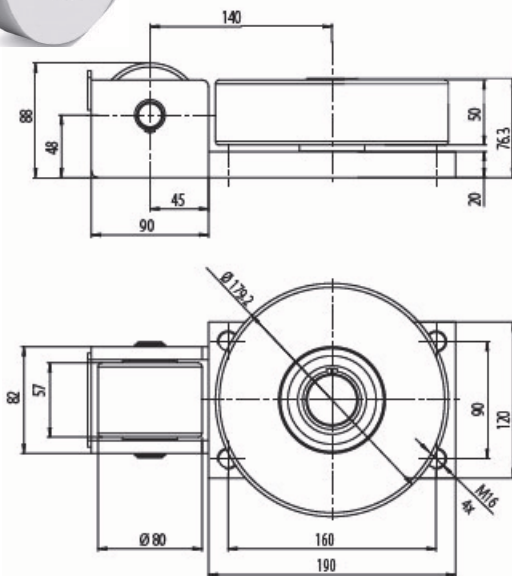
SRE / SR2 Spherical Bearings

SAF / Plummer Blocks

Brg. Accessories, Radial Ball, & EICH Bearings

Rod Ends & Spherical Plain Bearings

Part No.: W-PA1792 AP Wt. 12.2 kg



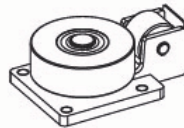
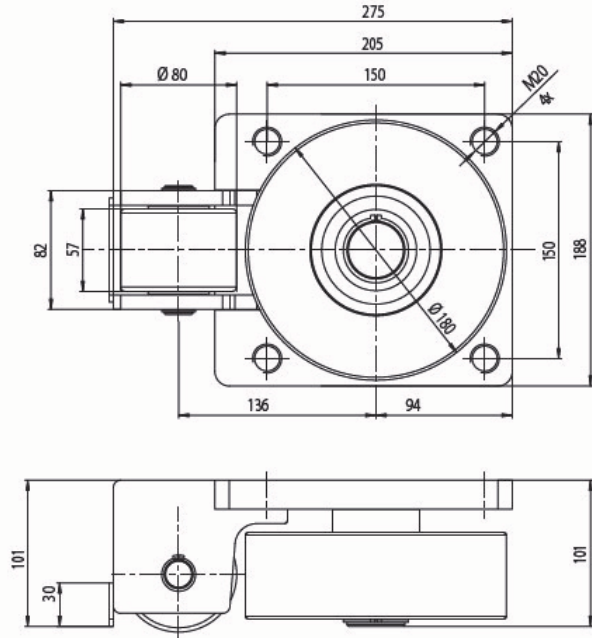
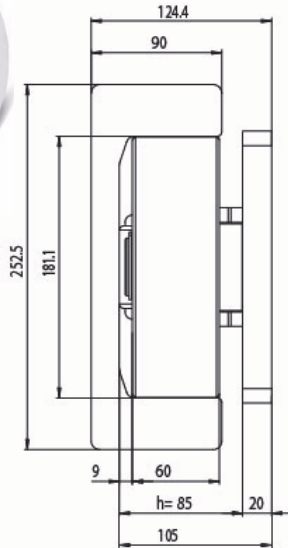
Roller Chain & Sprockets

Bushings & Hubs

Gears & Racks

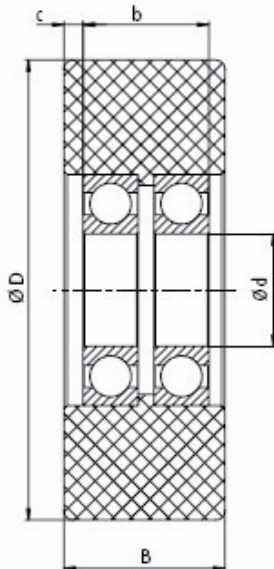
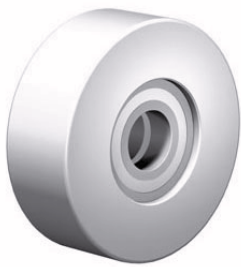
Belt Drives / Couplings

**Part No.: W-PA1800 AP** Wt.12.5 kg (May be used with 8 NbV Profile)



## Polyamide Roller with Bearing

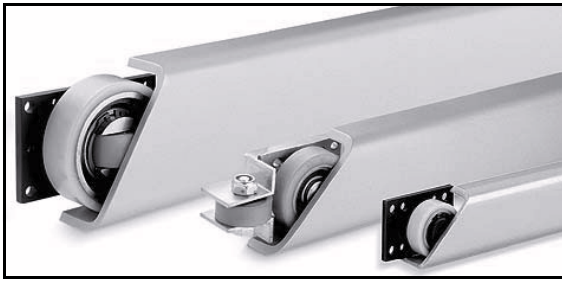
Models Available: [www.winkel.de](http://www.winkel.de)



Bearing Part No.	Bearing Size	B mm	b mm	c mm	D mm	d mm	Load Capacity N	Wt. kg
W-PA 50/30	Ø 50.0 x 30	30	30	—	50.0	12	1300	0.10
W-PA 80/57	Ø 80.0 x 57	57	61	3.0	80.0	20	6000	0.40
W-PA 101/25	Ø 101.2 x 25	25	16	4.5	101.2	45	2500	0.35
W-PA 125/40	Ø 125.0 x 40	40	40	—	125.0	30	6000	0.65
W-PA 143/50	Ø 143.2 x 50	50	38	6.0	143.2	35	8000	1.25
W-PA 160/60	Ø 160.0 x 60	60	60	—	160.0	40	13000	2.20
W-PA 179/50	Ø 179.2 x 50	50	40	5.0	179.2	40	15000	1.85
W-PA 180/60	Ø 180.0 x 60	60	60	—	180.0	40	18000	2.60
W-PA 200/80	Ø 200.0 x 80	80	69	—	200.0	55	25000	4.30

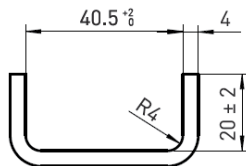
Note: Working Temperature 40° C (104°F).

## For Vulkollan & Polyamide Combined Bearings

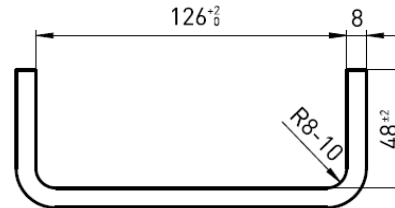


Select Profiles for Vulkollan or Polyamide combined bearings based on the load rating of the particular bearing. The individual bearing loads are listed within each series section.

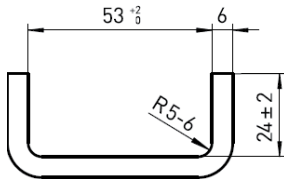
Part No. W-A



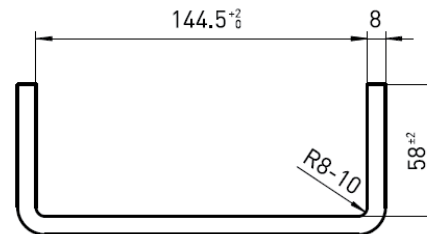
Part No. W-R



Part No. W-S

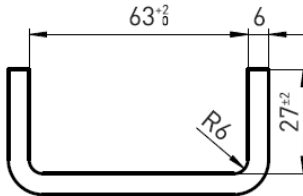


Part No. W-W

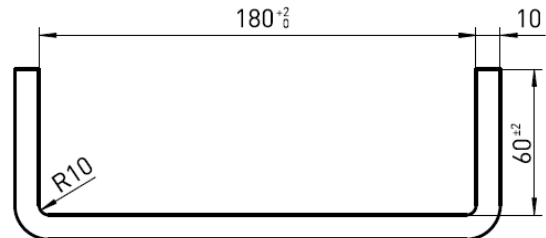


Also available in Stainless

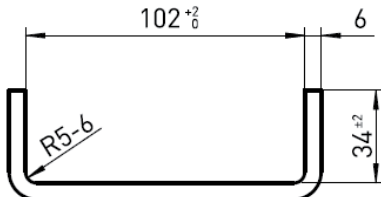
Part No. W-M



Part No. W-X



Part No. W-V



Stock lengths = 6 meters  
Cut to length on request

### Technical Details

Models Available: [www.winkel.de](http://www.winkel.de)

Parameter	Part No.						
	W-A	W-S	W-M	W-V	W-R	W-W	W-X
Wt. (kg/m)	2.62	5.0	5.8	8.3	14.3	16.9	24.1
Area cm <sup>2</sup>	3.3	6.4	7.3	10.5	18.3	21.3	30.7
Ix cm <sup>4</sup>	10.6	35.4	54.4	178.7	499.7	758.9	1626.8
Wx cm <sup>3</sup>	4.4	10.9	14.5	31.4	70.4	94.9	162.7
Iy cm <sup>4</sup>	1.7	5.0	6.9	14.0	49.8	83.0	126.1
Wy cm <sup>3</sup>	1.0	2.5	3.1	4.8	12.4	17.5	24.6
ey cm	0.8	1.0	1.0	1.1	1.6	1.9	1.9

# WINKEL Type L-Series Profile



## For Vulkollan & Polyamide Combined Bearings & Rollers

Robust Type L-Series U-Profile for Vulkollan and Polyamide Bearings. Produced to higher precision especially for the Vulkollan and Poly rollers. All profiles are sandblasted and fine straightened  $\pm 0.3\text{mm/lm}$ . Profile can include drilled and tapped holes for mounting. Available in 6 meter lengths, or cut to length. Material S355 J2. Surface coatings available on request. Shipped, clean, ready to install.



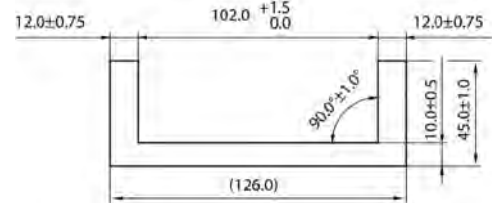
### Standard VL Profile

#### Part No: W-VL

Wt. 16.5 kg/m  
 A: 21.0 cm<sup>2</sup>  
 Ix: 441.0 cm<sup>4</sup>  
 Wx: 69.9 cm<sup>3</sup>  
 Iy: 35.1 cm<sup>4</sup>  
 Wy: 7.8 cm<sup>3</sup>  
 ey: 1.4 cm

#### Part No.: W-VL Profile

L-Series Profile with mounting holes added (optional)

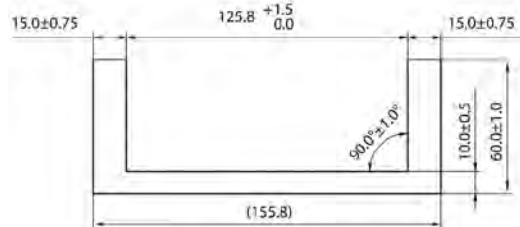


### Standard RL Profile

#### Part No: W-RL

Wt. 24.0 kg/m  
 A: 30.6 cm<sup>2</sup>  
 Ix: 1061.0 cm<sup>4</sup>  
 Wx: 136.3 cm<sup>3</sup>  
 Iy: 101.4 cm<sup>4</sup>  
 Wy: 16.9 cm<sup>3</sup>  
 ey: 1.97 cm

#### Part No.: W-RL Profile

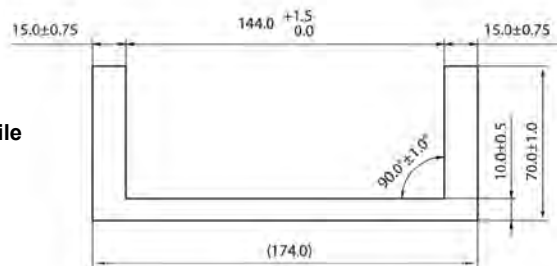


### Standard WL Profile

#### Part No: W-WL

Wt. 27.8 kg/m  
 A: 35.4 cm<sup>2</sup>  
 Ix: 1580 cm<sup>4</sup>  
 Wx: 181.6 cm<sup>3</sup>  
 Iy: 163.8 cm<sup>4</sup>  
 Wy: 23.4 cm<sup>3</sup>  
 ey: 2.28 cm

#### Part No.: W-WL Profile

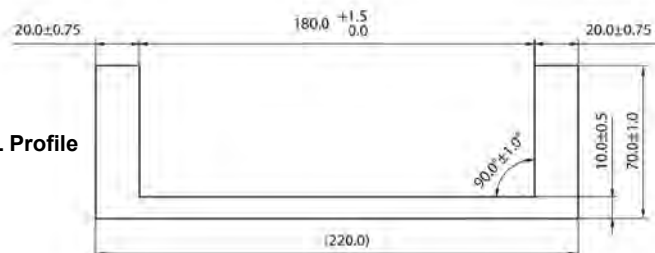


### Standard XL Profile

#### Part No: W-XL

Wt. 36.1 kg/m  
 A: 46.0 cm<sup>2</sup>  
 Ix: 3295.0 cm<sup>4</sup>  
 Wx: 299.6 cm<sup>3</sup>  
 Iy: 214.4 cm<sup>4</sup>  
 Wy: 30.6 cm<sup>3</sup>  
 ey: 2.33 cm

#### Part No.: W-XL Profile



## For Vulkollan & Polyamide Combined Bearings & Rollers



Models Available: [www.winkel.de](http://www.winkel.de)

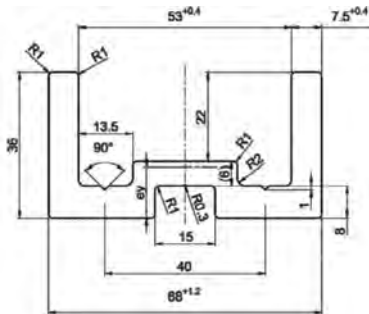
All Precision profiles are made from high-quality steel S450 J2 Modified. They are fine straightened and sand blasted, ready to install. Typical stock production length is 12 meters. Longer lengths are available on request.

The bearing contact surfaces are machined in one continuous machine operation for accuracy. Profiles can be machined according to customer drawings as well, and include mounting holes as shown.

### ALU - Series Profile

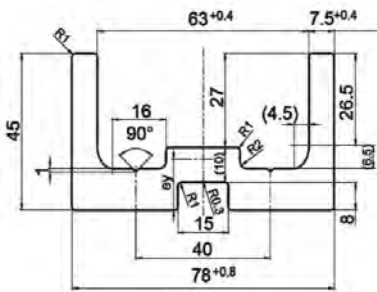
#### Standard S-ALU Profile Part No.: W-S-ALU

Wt: 2.69 kg/m  
Area: 998.8 cm<sup>2</sup>  
U: 330.5 mm  
Wx: 17.68 cm<sup>3</sup>  
Wy: 4.2 cm<sup>3</sup>  
ey: 1.26 cm  
Ix: 60.12 cm<sup>4</sup>  
Iy: 9.84 cm<sup>4</sup>



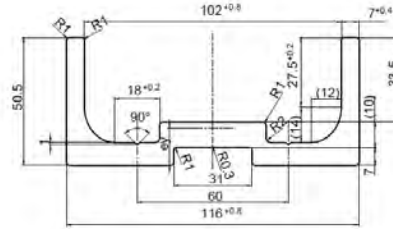
#### Standard M-ALU Profile Part No.: W-M-ALU

Wt: 3.92 kg/m  
Area: 1453.4 cm<sup>2</sup>  
U: 330.5 mm  
Wx: 28.3 cm<sup>3</sup>  
Wy: 6.8 cm<sup>3</sup>  
ey: 1.47 cm  
Ix: 110.4 cm<sup>4</sup>  
Iy: 20.64 cm<sup>4</sup>



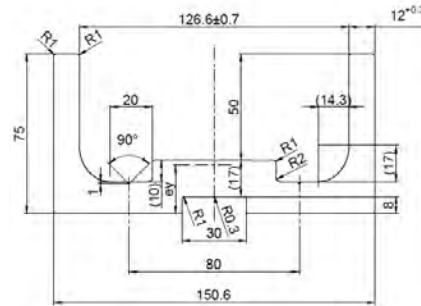
#### Standard V-ALU Profile Part No.: W-V-ALU

Wt: 4.91 kg/m  
Area: 1802.9 cm<sup>2</sup>  
U: 432.0 mm  
Wx: 53.7 cm<sup>3</sup>  
Wy: 8.65 cm<sup>3</sup>  
ey: 1.47 cm  
Ix: 311.5 cm<sup>4</sup>  
Iy: 31.4 cm<sup>4</sup>



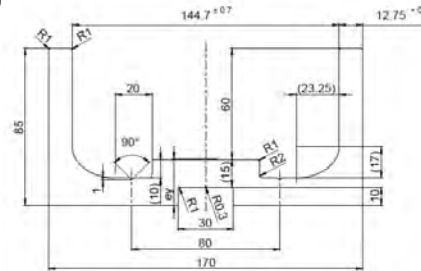
#### Standard R-ALU Profile Part No.: W-R-ALU

Wt: 11.15 kg/m  
Area: 4130.01 cm<sup>2</sup>  
U: 587.94 mm  
Wx: 154.6 cm<sup>3</sup>  
Wy: 31.4 cm<sup>3</sup>  
ey: 2.28 cm  
Ix: 1159.48 cm<sup>4</sup>  
Iy: 163.38 cm<sup>4</sup>



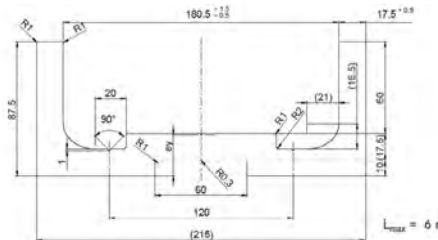
#### Standard W-ALU Profile Part No.: W-W-ALU

Wt: 12.91 kg/m  
Area: 4782.56 cm<sup>2</sup>  
U: 668.2 mm  
Wx: 212.9 cm<sup>3</sup>  
Wy: 43.2 cm<sup>3</sup>  
ey: 1.54 cm  
Ix: 1809.5 cm<sup>4</sup>  
Iy: 257.4 cm<sup>4</sup>



#### Standard X-ALU Profile Part No.: W-X-ALU

Wt: 18.06 kg/m  
Area: 6686.6 cm<sup>2</sup>  
U: 758.25 mm  
Wx: 368.4 cm<sup>3</sup>  
Wy: 58.9 cm<sup>3</sup>  
ey: 2.68 cm  
Ix: 3960.4 cm<sup>4</sup>  
Iy: 349.0 cm<sup>4</sup>





## Metric Equivalents

mm	in.	mm	in.	mm	in.	mm	in.	mm	in.	mm	in.	mm	in.
1	0.0394	21	0.8268	41	1.6142	61	2.4016	81	3.1890	105	4.1339	205	8.0709
2	0.0787	22	0.8661	42	1.6535	62	2.4409	82	3.2283	110	4.3307	210	8.2677
3	0.1181	23	0.9055	43	1.6929	63	2.4803	83	3.2677	115	4.5276	215	8.4646
4	0.1575	24	0.9449	44	1.7323	64	2.5197	84	3.3071	120	4.7244	220	8.6614
5	0.1969	25	0.9843	45	1.7717	65	2.5591	85	3.3465	125	4.9213	225	8.8583
6	0.2362	26	1.0236	46	1.8110	66	2.5984	86	3.3858	130	5.1181	230	9.0551
7	0.2756	27	1.0630	47	1.8504	67	2.6378	87	3.4252	135	5.3150	235	9.2520
8	0.3150	28	1.1024	48	1.8898	68	2.6772	88	3.4646	140	5.5118	240	9.4488
9	0.3543	29	1.1417	49	1.9291	69	2.7165	89	3.5039	145	5.7087	245	9.6457
10	0.3937	30	1.1811	50	1.9685	70	2.7559	90	3.5433	150	5.9055	250	9.8425
11	0.4332	31	1.2205	51	2.0079	71	2.7953	91	3.5827	155	6.1024	255	10.0394
12	0.4724	32	1.2598	52	2.0472	72	2.8346	92	3.6220	160	6.2992	260	10.2362
13	0.5118	33	1.2992	53	2.0866	73	2.8740	93	3.6614	165	6.4961	265	10.4331
14	0.5512	34	1.3386	54	2.1260	74	2.9134	94	3.7008	170	6.6929	270	10.6299
15	0.5906	35	1.3780	55	2.1654	75	2.9528	95	3.7402	175	6.8898	275	10.8268
16	0.6299	36	1.4173	56	2.2047	76	2.9921	96	3.7795	180	7.0866	280	11.0236
17	0.6693	37	1.4567	57	2.2441	77	3.0315	97	3.8189	185	7.2835	285	11.2205
18	0.7087	38	1.4961	58	2.2835	78	3.0709	98	3.8583	190	7.4803	290	11.4173
19	0.7480	39	1.5354	59	2.3228	79	3.1102	99	3.8976	195	7.6772	295	11.6142
20	0.7874	40	1.5748	60	2.3622	80	3.1496	100	3.9370	200	7.8740	300	11.8110

## Decimal Equivalents

1/64	0.0156	17/64	0.2656	33/64	0.5156	49/64	0.7656
1/32	0.0313	9/32	0.2813	17/32	0.5313	25/32	0.7813
3/64	0.0469	19/64	0.2969	35/64	0.5469	51/64	0.7969
1/16	0.0625	5/16	0.3125	9/16	0.5625	13/16	0.8125
5/64	0.0781	21/64	0.3281	37/64	0.5781	53/64	0.8281
3/32	0.0938	11/32	0.3438	19/32	0.5938	27/32	0.8438
7/64	0.1094	23/64	0.3594	39/64	0.6094	55/64	0.8594
1/8	0.1250	3/8	0.3750	5/8	0.6250	7/8	0.8750
9/64	0.1406	25/64	0.3906	41/64	0.6406	57/64	0.8906
5/32	0.1563	13/32	0.4063	21/32	0.6563	29/32	0.9063
11/64	0.1719	27/64	0.4219	43/64	0.6719	59/64	0.9219
3/16	0.1875	7/16	0.4375	11/16	0.6875	15/16	0.9375
13/64	0.2031	29/64	0.4531	45/64	0.7031	61/64	0.9531
7/32	0.2188	15/32	0.4688	23/32	0.7188	31/32	0.9688
15/64	0.2344	31/64	0.4844	47/64	0.7344	63/64	0.9844
1/4	0.2500	1/2	0.5000	3/4	0.7500	1	1.0000

Metric	Inch	Metric	Inch
1 Millimeter (mm)	= 0.0393701 Inch (in)	1 Kilogram (kg)	= 2.204 pounds (lb)
25.4 Millimeters (mm)	= 1 inch (in)	1 Joule (J)	= 0.7375621 Foot-Pounds (ft-lb)
1 Meter (m)	= 3.2808 (ft)	1 Square Centimeter (cm <sup>2</sup> )	= 0.1550003 Square Inches (in <sup>2</sup> )
1 Meter (m)	= 39.37 inches (in)	1 Cubic Meter (m <sup>3</sup> )	= 35.31466 Cubic Feet (ft <sup>3</sup> )
1 Newton (N)	= 0.102 Kilogram-Force (kp)	1 Kilogram per Square Centimeter (kg/cm <sup>2</sup> )	= 14.22334 Pounds per square Inch (lb/in <sup>2</sup> )
1 Newton (N)	= 0.2248 Pound-Force (lbf)	1 Kilogram per Meter (kg/m)	= 0.67197 Pounds per Foot (lb/ft)
1 Bar	= 100 Kilopascals (kPa)	1 U.S. Horsepower (HP)	= 0.7457 Kilowatt (kw)
1 Bar	= 14.50377 Pounds per Square Inch (lb/in <sup>2</sup> )	1 Metric Horsepower (CV)	= 0.9863203 U.S. Horsepower (HP)

**WARNING:** The information provided about Product and Product Interchange in this catalog is to be used as a general reference by individuals qualified to recognize unreasonable selections. Because of the possibility of danger to person(s), and/or property as a result of accidents involving improper product use, it is important that correct installations and operating procedures be followed. Proper installation and maintenance procedures are necessary to assure safe operations under the given conditions. Guards and other safety devices may be required to meet safety codes. These are not supplied by nor are they the responsibility of P.T. International Corp.

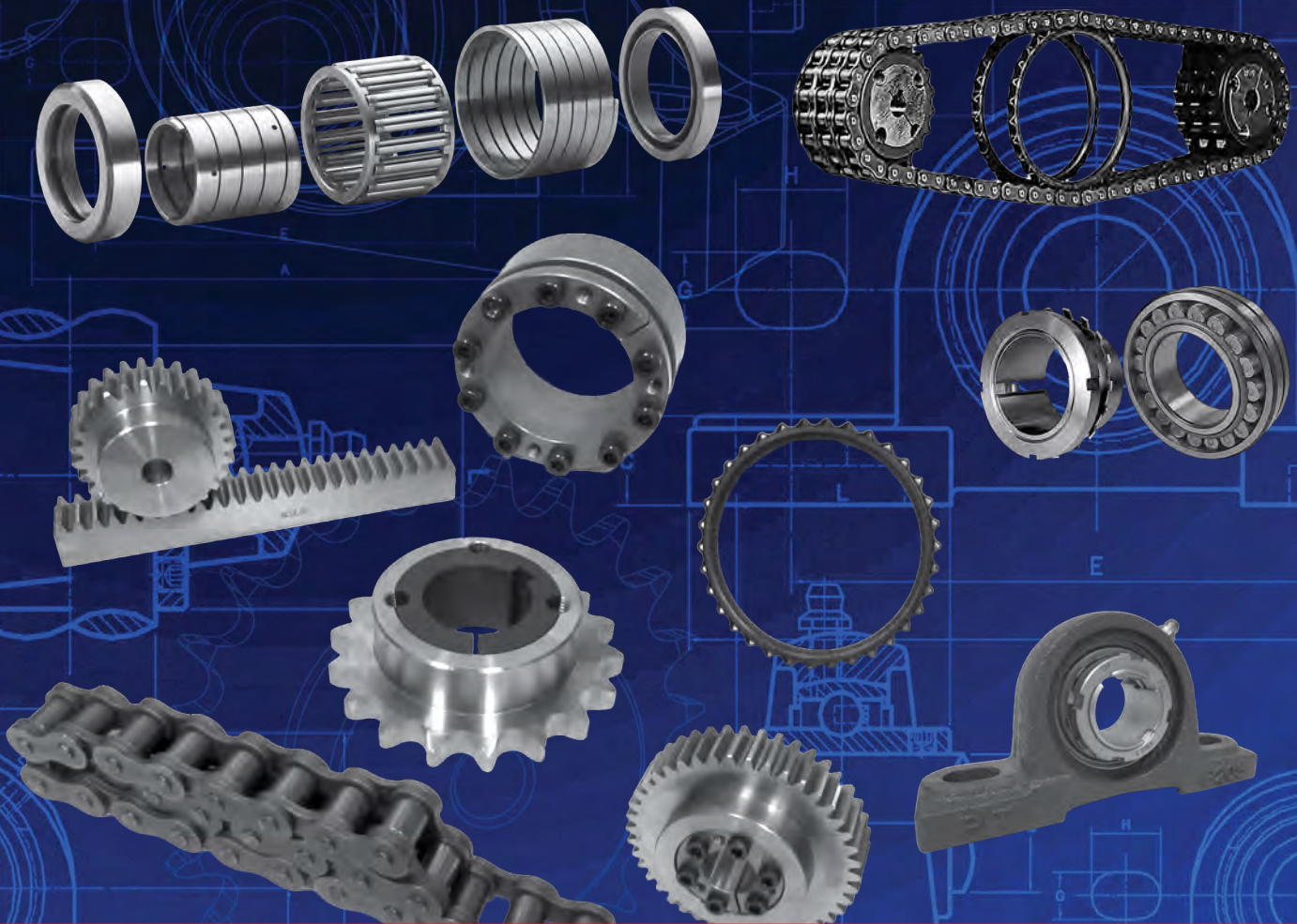
All information provided in this catalog is provided for your convenience and was correct at the time of printing with the exception of clerical and or printing errors. Data is subject to change without notice. Pricing shall be in effect at the time of shipment.



# We Revolve Around You

Anyone can supply or manufacture a product. The PTI difference lies in completely understanding what that component means to your business, and what we can do to ensure the end results you have in mind.

It touches all areas of our business through deep inventory, in-house engineering expertise, quality products, around the clock service, a vast network of manufacturing facilities across the globe, and finally a relentless pursuit of innovation and manufacturing standards.



PTI Corporate Headquarters  
Charlotte, NC - USA

24/7 Sales: **704-588-1091**

Toll-Free: **800-763-4434**

Email: [ptiinfo@ptintl.com](mailto:ptiinfo@ptintl.com)



[www.ptintl.com](http://www.ptintl.com)